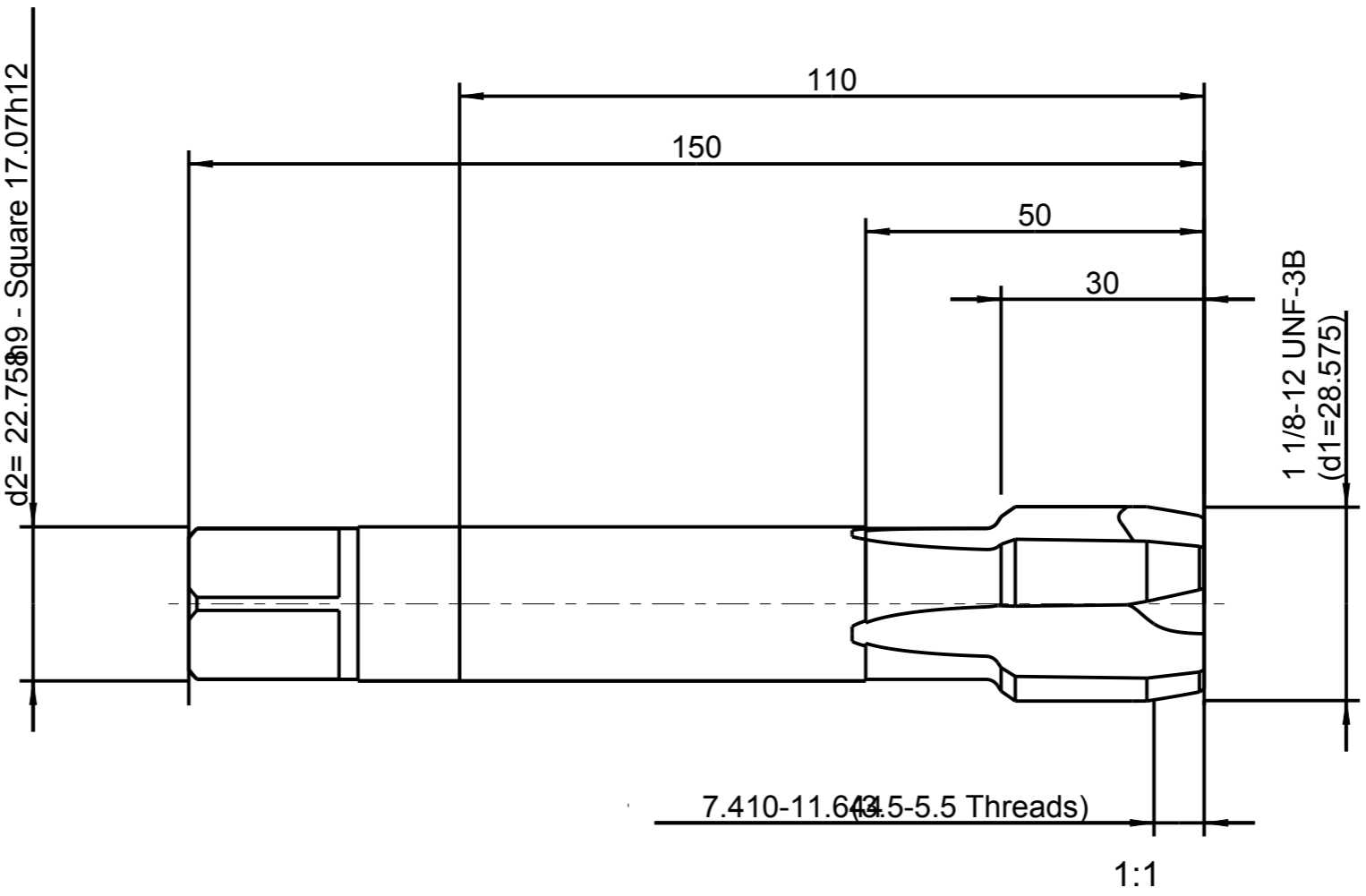


Weder die noch Herstellung dieses Dokuments, Vervielfachung und Mitteilung seines Inhaltes, sind  
 verboten, soweit nicht ausdrücklich gestattet. Zuwidergehungen verpflichten zu Schadenersatz. Alle  
 Rechte für den Fall der Patent-, Gebrauchsmuster- oder Geschmacksunterzeichnung vorbehalten.  
 "Schutzvermerk nach DIN ISO 16016 beachten" Technische Änderungen vorbehalten!

Issued with CAD! Changes to be made only on the CAD/CAM modell



The reproduction, distribution and utilization of this document as well as the  
 communication of its contents to others without explicit authorization is  
 prohibited. Copyright © 2018 EMUGE-FRANKEN. All rights  
 reserved to the extent of the patent, utility model or design.  
 "Observe protective note according to DIN ISO 16016" Technical data is subject to change without notice!

d2= 22.75~~h9~~ - Square 17.07h12



Identification

EMUGE-VA Rekord 2B-VA-GLT-1 1 1/8-12 UNF-3B  
 Kom.-Nr.

 EMUGE-Werk Richard Glimpel GmbH & Co. KG www.emuge-franken.com		Document Type		Documentary drawing																			
		Description				US-Rek.2B-VA-GLT-1 1 1/8-12 UNF-3B																	
General tolerances ISO 2768-mk		Sheet	View	Customer																			
<table border="1"> <tr> <td>&gt;</td> <td>6</td> <td>30</td> <td>120</td> <td>400</td> <td>1000</td> </tr> <tr> <td>≤</td> <td>6</td> <td>30</td> <td>120</td> <td>400</td> <td>2000</td> </tr> <tr> <td></td> <td>±0,1</td> <td>±0,2</td> <td>±0,3</td> <td>±0,5</td> <td>±0,8 ±1,2</td> </tr> </table>		>	6	30	120	400	1000	≤	6	30	120	400	2000		±0,1	±0,2	±0,3	±0,5	±0,8 ±1,2	1/1		Component	
>	6	30	120	400	1000																		
≤	6	30	120	400	2000																		
	±0,1	±0,2	±0,3	±0,5	±0,8 ±1,2																		
Issued by		Date of issue	Replaced by	Material no.																			
CAD/TF		18.05.2018		Order no. CU20C310.5053																			
Checked by		Date	Replacement for	Customer drawing no.																			
				Drawing no. CU20C310.5053																			