

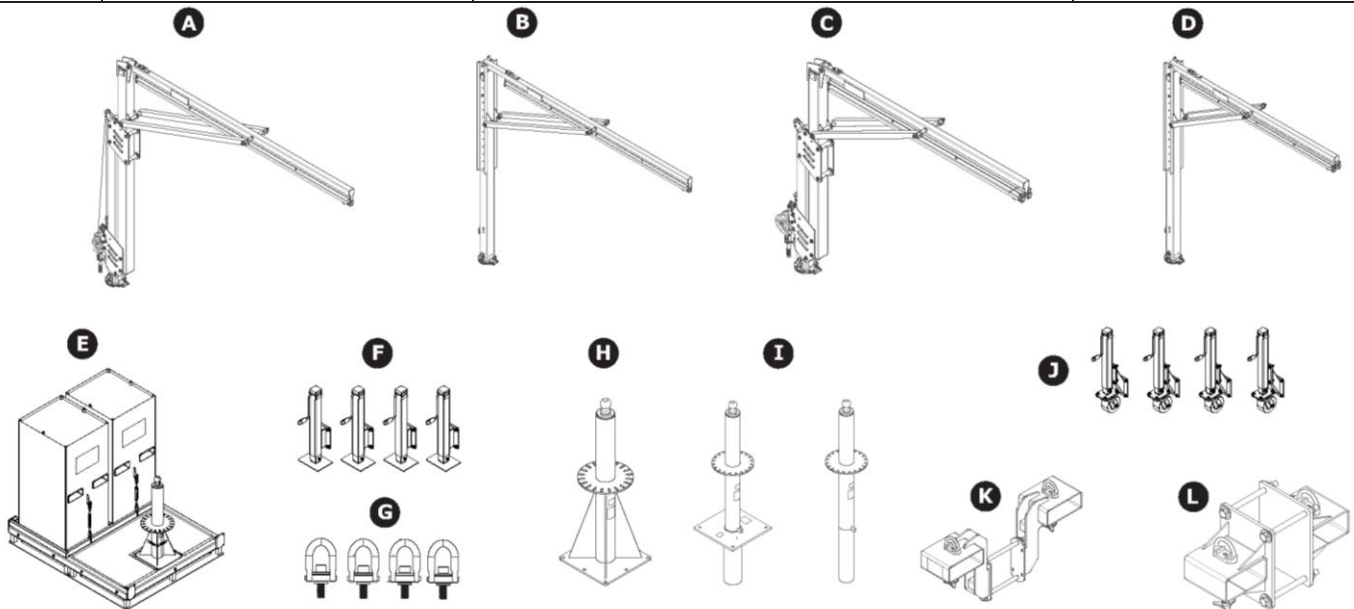


Fall Protection

**3M™ DBI-SALA®
M200 Davit Systems**

**Technical Data Sheet Pack
5908526 Rev. D**

Callout	Technical Data Sheet	Description	Page
A	8530891	12.3 ft.–15 ft. (3.8 m–4.6 m) Adjustable Davit	2
	8530892	14.8 ft.–20 ft. (4.5 m–6.1 m) Adjustable Davit	2
	8530893	17.3 ft.–25 ft. (5.3 m – 7.6 m) Adjustable Davit	2
	8530894	19.8 ft.–30 ft. (6.1 m–9.1 m) Adjustable Davit	2
B	8530899	15 ft.–20 ft. (4.6 m–6.1 m) Semi-Fixed Davit	4
	8530900	20 ft.–25 ft. (6.1 m–7.6 m) Semi-Fixed Davit	4
	8530901	25 ft.–30 ft. (7.6 m–9.1 m) Semi-Fixed Davit	4
C	8530895	12.3 ft.–15 ft. (3.8 m–4.6 m) Adjustable Davit	6
	8530896	14.8 ft.–20 ft. (4.5 m–6.1 m) Adjustable Davit	6
	8530897	17.3 ft.–25 ft. (5.3 m–7.6 m) Adjustable Davit	6
	8530898	19.8 ft.–30 ft. (6.1 m–9.1 m) Adjustable Davit	6
D	8530902	15 ft.–20 ft. (4.6 m–6.1 m) Semi-Fixed Davit	8
	8530903	20 ft.–25 ft. (6.1 m–7.6 m) Semi-Fixed Davit	8
	8530904	25 ft.–30 ft. (7.6 m–9.1 m) Semi-Fixed Davit	8
E	8530886	Unfilled Counterweight Base	10
	8530887	Filled Counterweight Base	10
F	8530907	Counterweight Base Jacks	12
G	8530777	Counterweight Base Lifting Rings	12
H	8530888	Floor Mount Base	14
I	8530889, 8530920, 8530921	Flush Mount Base	15
J	8530908	Counterweight Base Wheels	12
K	8530912	Fork Pocket Kit	17
L	8530925	Fork Pocket Kit	18



Adjustable Davit

TECHNICAL DATA SHEET: 8530891-8530894



APPLICATION:

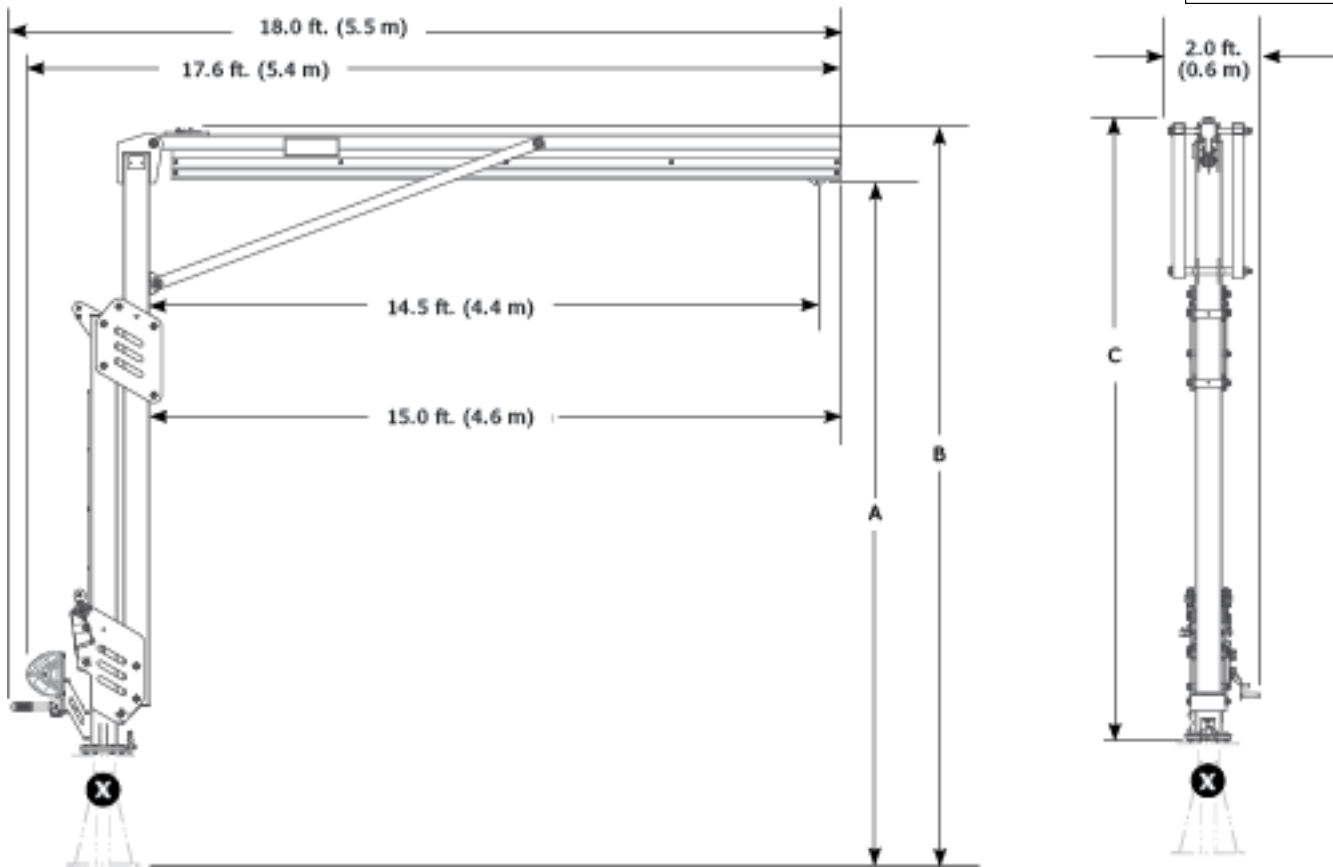
The davit is designed to provide anchorage connection points for a Fall Protection system.

For more information on product installation, refer to the user instructions.

Standards: EN795:2012 Type E, OSHA 1910.140, OSHA 1926.502

≤ 1350 lb.
(6 kN)

1x ≤ 310 lb.
(140 kg)



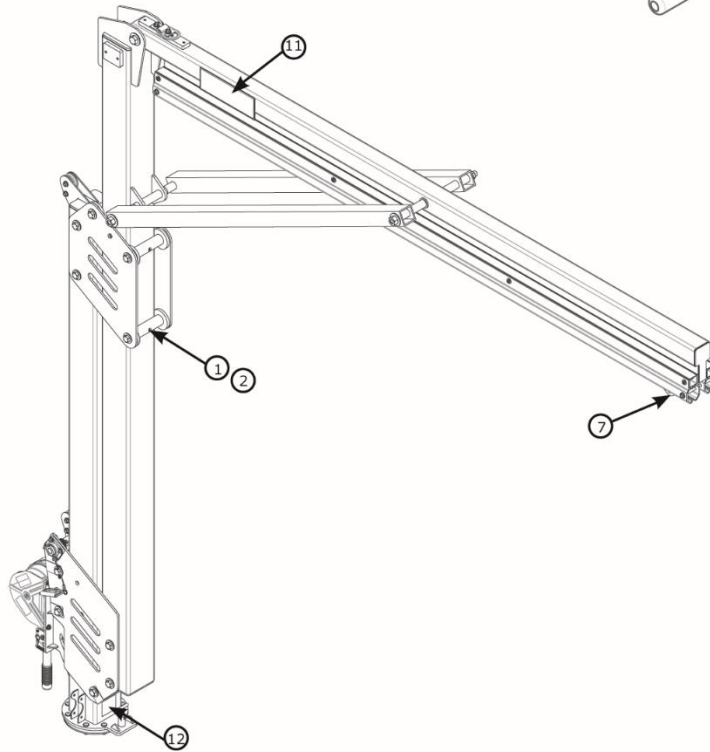
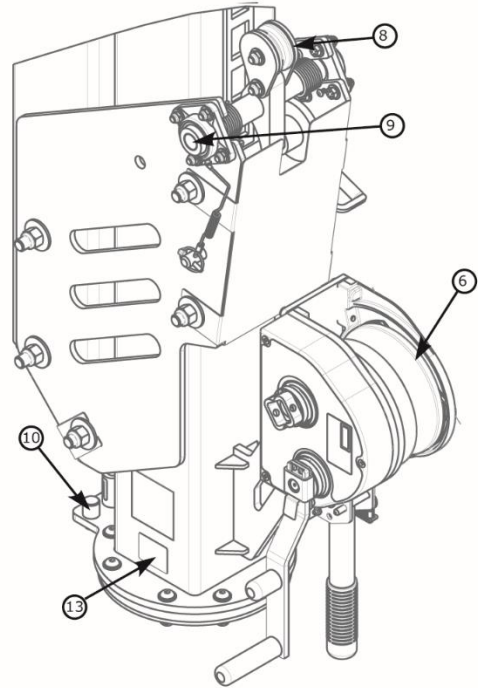
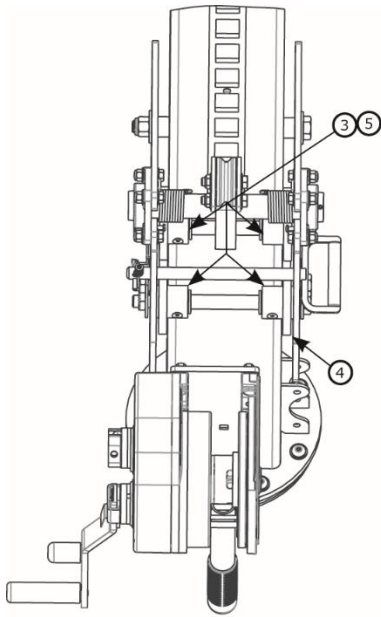
	A	B	C	lb. (kg)
8530891	12.3 ft. – 15.0 ft. (3.8 m – 4.6 m)	13.4 ft. – 16.1 ft. (4.1 m – 4.9 m)	9.8 ft. – 14.8 ft. (3.0 m – 4.5 ft.)	945 lb. (429 kg)
8530892	14.8 ft. – 20.0 ft. (4.5 m – 6.1 m)	15.9 ft. – 21.1 ft. (4.8 m – 6.4 m)	13.5 ft. – 18.7 ft. (4.1 m – 5.7 m)	1,057 lb. (479 kg)
8530893	17.3 ft. – 25.0 ft. (5.3 m – 7.6 m)	18.4 ft. – 26.1 ft. (5.6 m – 8.0 m)	16.0 – 23.7 ft. (4.9 m – 7.2 m)	1,169 lb. (530 kg)
8530894	19.8 ft. – 30.0 ft. (6.0 m – 9.1 m)	20.9 ft. – 31.1 ft. (6.4 m – 9.5 m)	18.5 ft. – 28.7 ft. (5.6 m – 8.7 m)	1,281 lb. (581 kg)

Adjustable Davit Components

TECHNICAL DATA SHEET: 8530891-8530894



Fall Protection



Component List				
	Part Number	Description	Material	Quantity
1	8550046	Wide Roller	Nylon	3
2	8550047	Wide Roller Spacer	304 Stainless Steel	3
3	8550327	Narrow Roller	Nylon	2
4	9514703	Side Roller	Nylon	8
5	8550213	Narrow Roller Spacer	304 Stainless Steel	2
6	8549930	Winch	Steel	1
7	8521711	Trolley	Steel, Nylon	1

Component List				
	Part Number	Description	Material	Quantity
8	8550223	Locking Mechanism (only authorized repair)	Steel, Nylon	1
9	9515138	Bearings	Steel	2
10	8550398	Rotation Stop	Aluminum	2
11	9515111	3M Label	Polyester	2
12	9515101	Rotation Label	Polyester	1
13	9514429	ID Label	Polyester	1
14	9515112	User Label	Polyester	1

Semi-Fixed Davit

TECHNICAL DATA SHEET: 8530899-8530901




APPLICATION:


The davit is designed to provide anchorage connection points for a Fall Protection system.

For more information on product installation, refer to the user instructions.

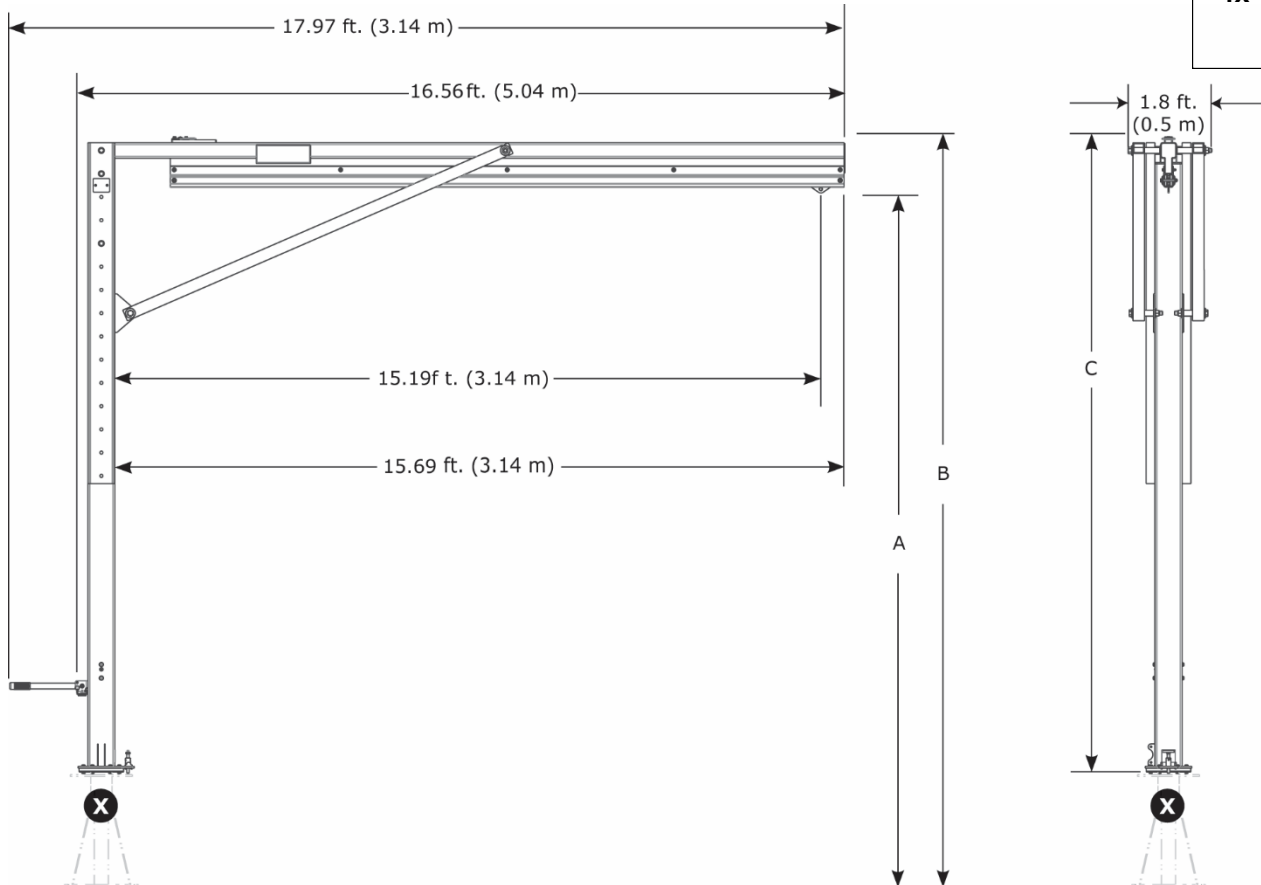
Standards: EN795:2012 Type E, OSHA 1910.140, OSHA 1926.502



≤ 1350 lb.
(6 kN)



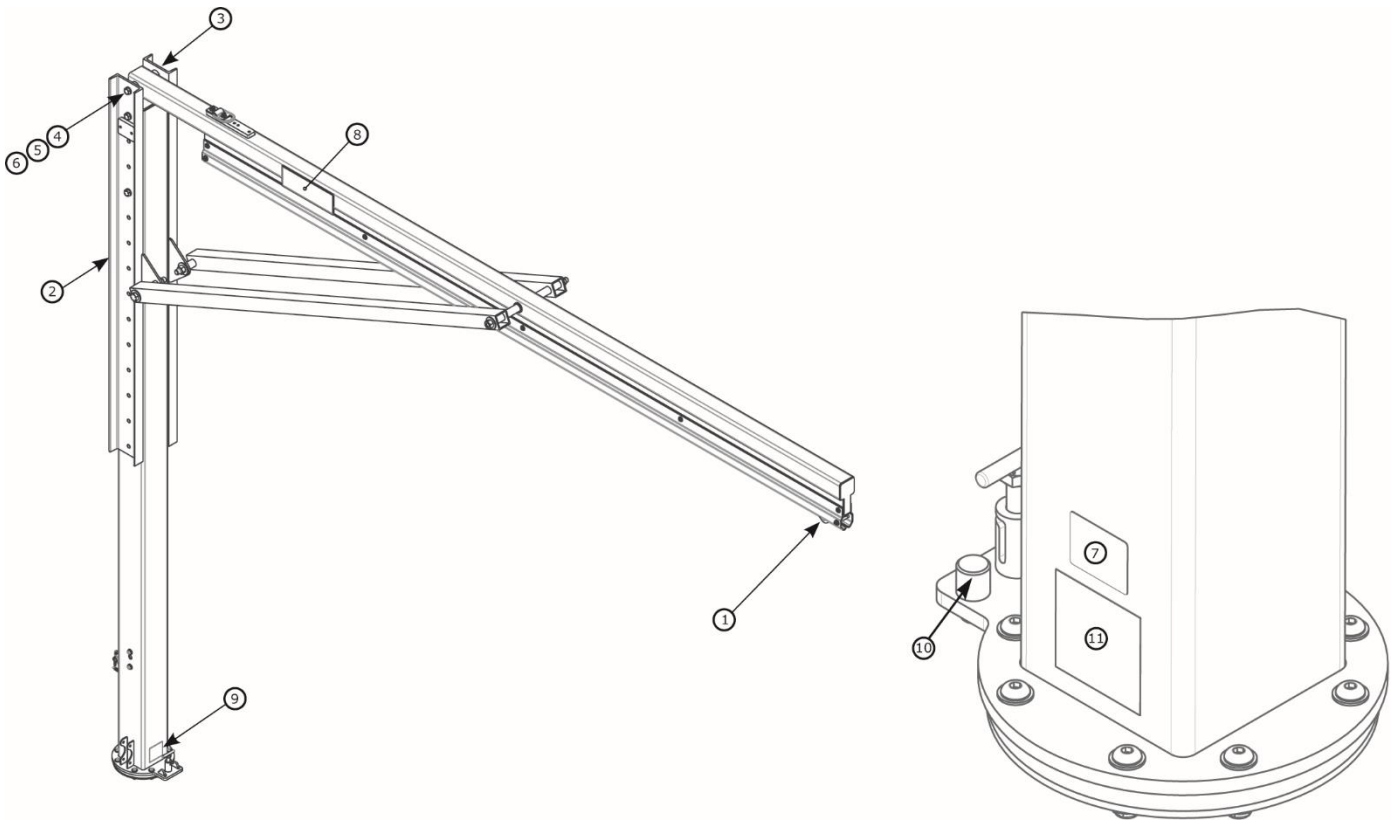
1x ≤ 310 lb.
(140 kg)



	A	B	C	lb. (kg)
8530899	15.0 ft. – 20.0 ft. (4.6 m – 6.1 m)	16.1 ft. – 21.1 ft. (4.9 m – 6.4 m)	13.7 ft. – 18.7 ft. (4.2 m – 5.7 m)	818 lb. (371 kg)
8530900	20.0 ft. – 25.0 ft. (6.1 m – 7.6 m)	21.1 ft. – 26.1 ft. (6.4 m – 7.9 m)	18.7 ft. – 23.7 ft. (5.7 m – 7.2 m)	930 lb. (422 kg)
8530901	25.0 ft. – 30.0 ft. (7.6 m – 9.1 m)	26.1 ft. – 31.1 ft. (7.9 m – 9.6 m)	23.7 ft. – 28.7 ft. (7.2 m – 8.7 m)	1,041 lb. (472 kg)
+6" (152 mm) adjustment increments				

Semi-Fixed Davit Components

TECHNICAL DATA SHEET: 8530899-8530901



	Part Number	Description	Material	Quantity
1	8521711	Trolley	Stainless Steel, Steel, Nylon	1
2	8549933	Rescue Mount Channel	Steel	1
3	8550248	Channel	Steel	1
4	8526654	3/4" x 9" Bolt	Steel	2
5	8522275	3/4" Washer	Steel	4
6	8518276	3/4" Nut	Steel	2
7	9514429	ID Label	Polyester	1

	Part Number	Description	Material	Quantity
8	9515111	3M Label	Polyester	2
9	9515101	Rotation Label	Polyester	1
10	8550398	Rotation Stop	Aluminum	2
11	9515112	User Label	Polyester	1

Adjustable Davit

TECHNICAL DATA SHEET: 8530895-8530898



Fall Protection

APPLICATION:

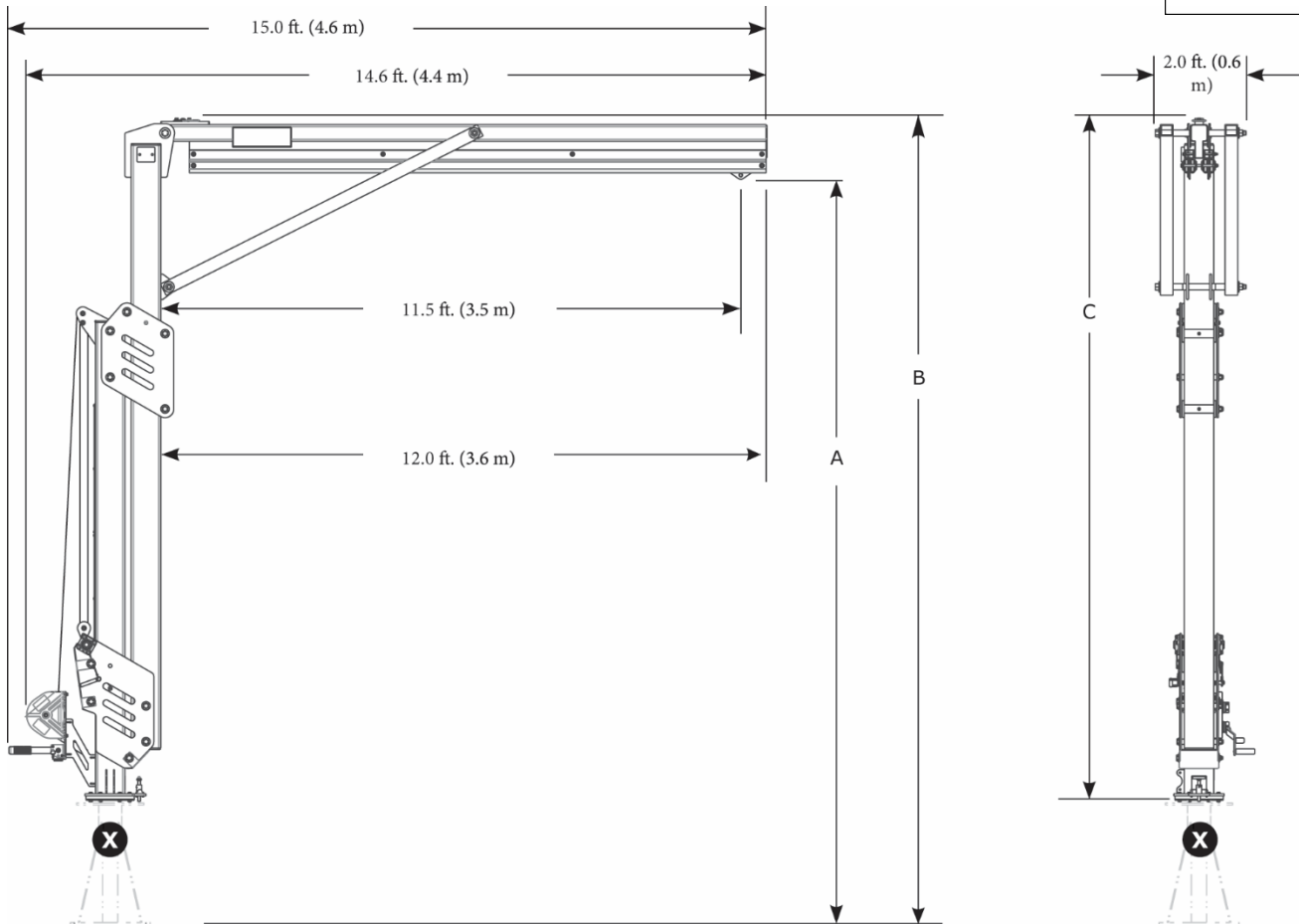
The davit is designed to provide anchorage connection points for a Fall Protection system.

For more information on product installation, refer to the user instructions.

Standards: CEN/TS 16415:2013 Type E, EN795:2012 Type E, OSHA 1910.140, OSHA 1926.502

≤ 1350 lb.
(6 kN)

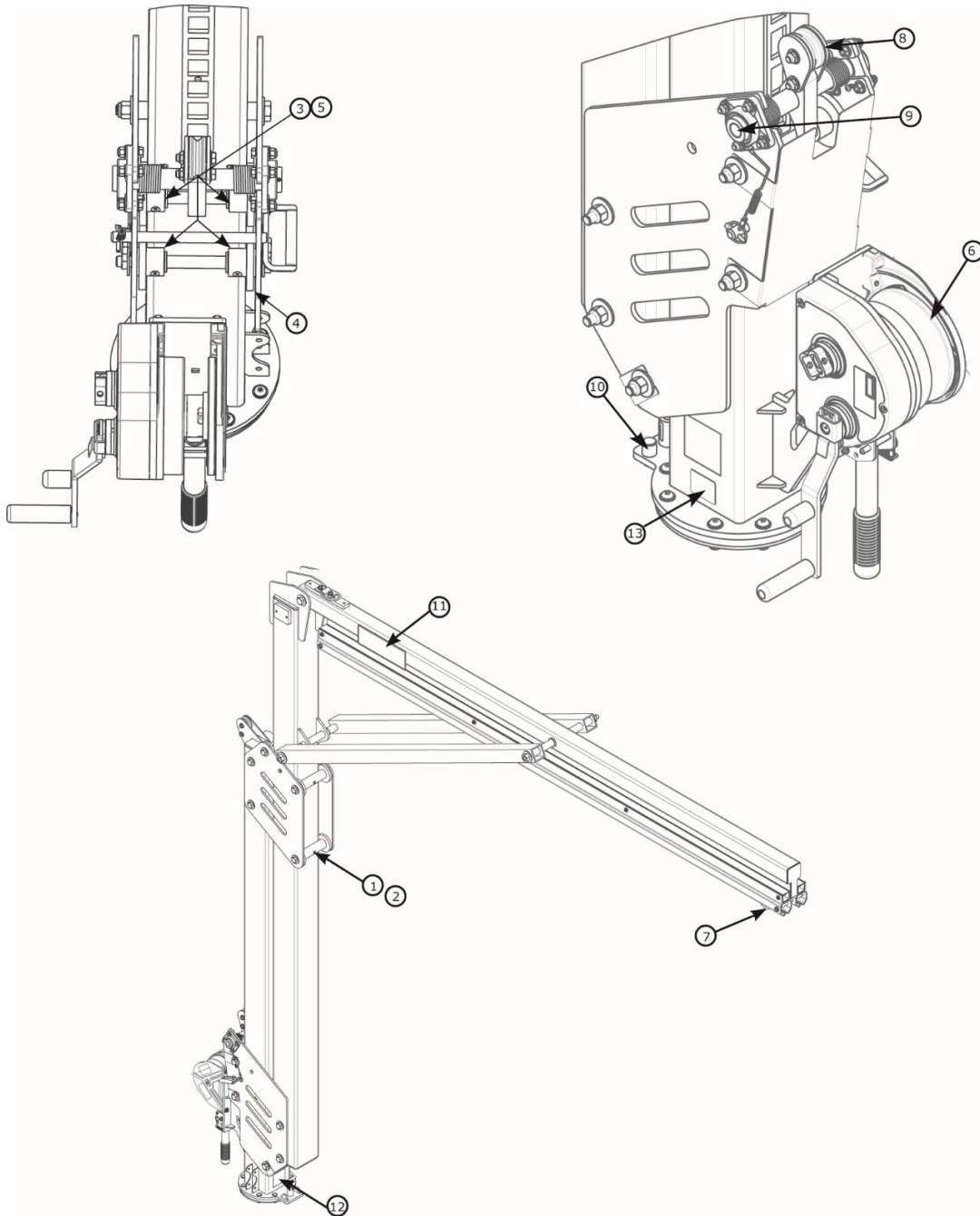
2x ≤ 310 lb.
(140 kg)



	A	B	C	lb. (kg)
8530895	12.3 ft. - 15.0 ft. (3.8 m - 4.6 m)	13.4 ft. - 16.1 ft. (4.1 m - 4.9 m)	11.0 ft. - 13.7 ft. (3.4 m - 4.2 ft.)	1,011 lb. (459 kg)
8530896	14.8 ft. - 20.0 ft. (4.5 m - 6.1 m)	15.9 ft. - 21.1 ft. (4.8 m - 6.4 m)	13.5 ft. - 18.7 ft. (4.1 m - 5.7 m)	1,123 lb. (509 kg)
8530897	17.3 ft. - 25.0 ft. (5.3 m - 7.6 m)	18.4 ft. - 26.1 ft. (5.6 m - 8.0 m)	16.0 - 23.7 ft. (4.9 m - 7.2 m)	1,235 lb. (560 kg)
8530898	19.8 ft. - 30.0 ft. (6.0 m - 9.1 m)	20.9 ft. - 31.1 ft. (6.4 m - 9.5 m)	18.5 ft. - 28.7 ft. (5.6 m - 8.7 m)	1,343 lb. (609 kg)

Adjustable Davit Components

TECHNICAL DATA SHEET: 8530895-8530898



Component List				
	Part Number	Description	Material	Quantity
1	8550046	Wide Roller	Nylon	3
2	8550047	Wide Roller Spacer	304 Stainless Steel	3
3	8550327	Narrow Roller	Nylon	2
4	9514703	Side Roller	Nylon	8
5	8550213	Narrow Roller Spacer	304 Stainless Steel	2
6	8549930	Winch	Steel	1
7	8521711	Trolley	Steel, Nylon	1

Component List				
	Part Number	Description	Material	Quantity
8	8550223	Locking Mechanism (only authorized repair)	Steel, Nylon	1
9	9515138	Bearings	Steel	2
10	8550398	Rotation Stop	Aluminum	2
11	9515111	3M Label	Polyester	2
12	9515101	Rotation Label	Polyester	1
13	9514429	ID Label	Polyester	1
14	9515112	User Label	Polyester	1

Semi-Fixed Davit

TECHNICAL DATA SHEET: 8530902-8530904




APPLICATION:


The davit is designed to provide anchorage connection points for a Fall Protection system.

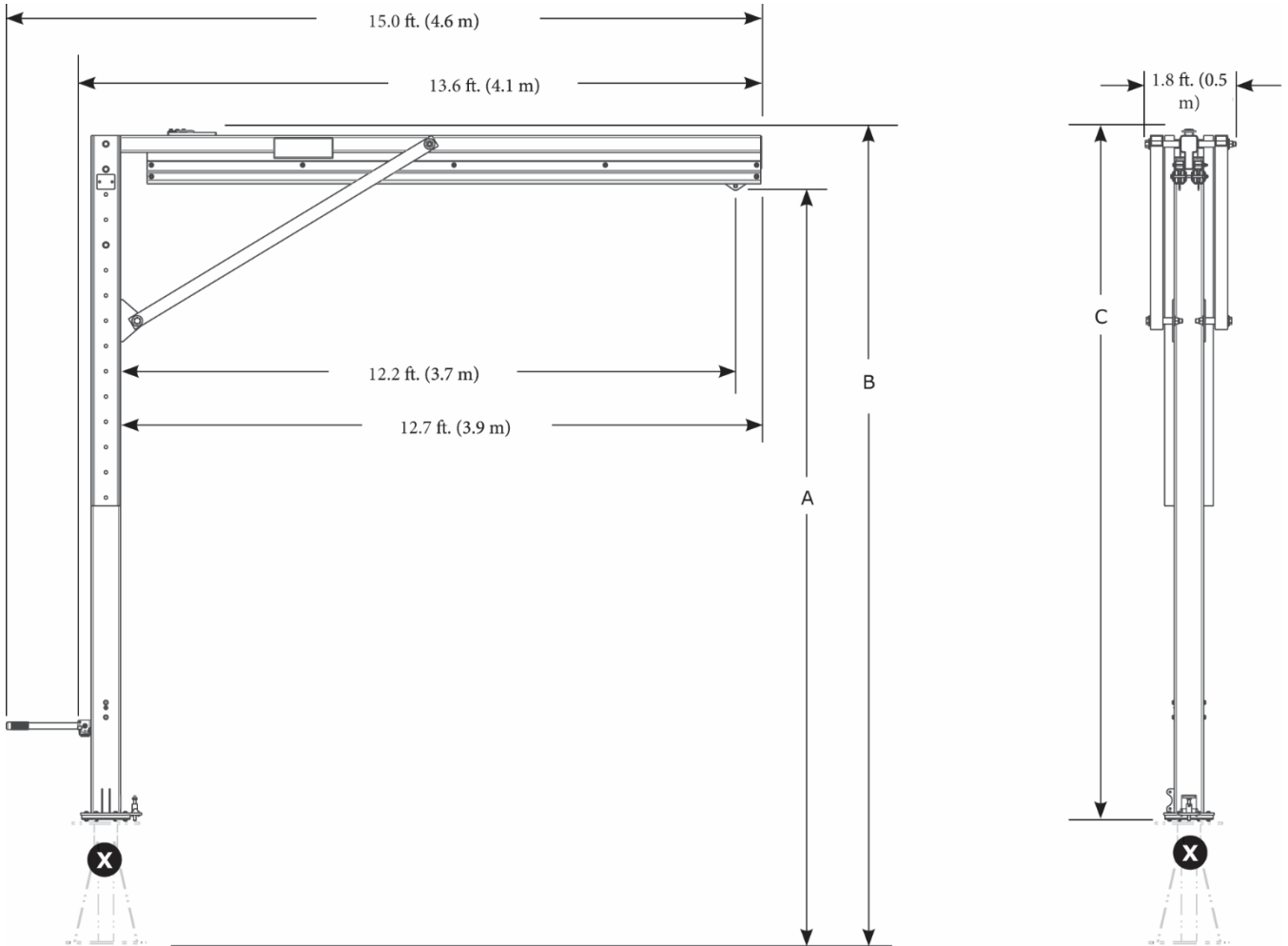
For more information on product installation, refer to the user instructions.

Standards: CEN/TS 16415:2013 Type E, EN795:2012 Type E, OSHA 1910.140, OSHA 1926.502



≤ 1350 lb.
(6 kN)

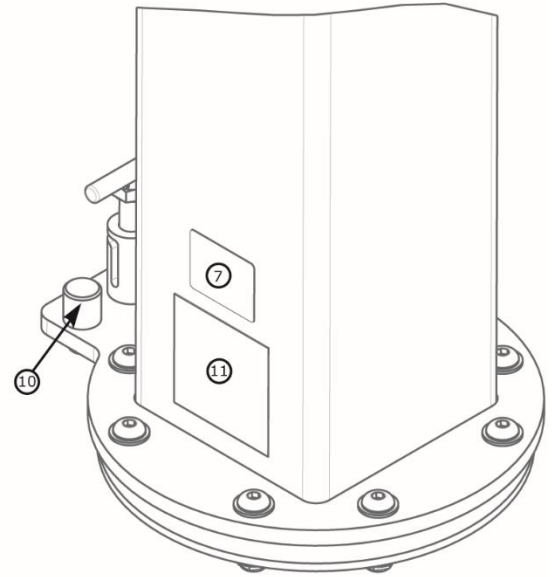
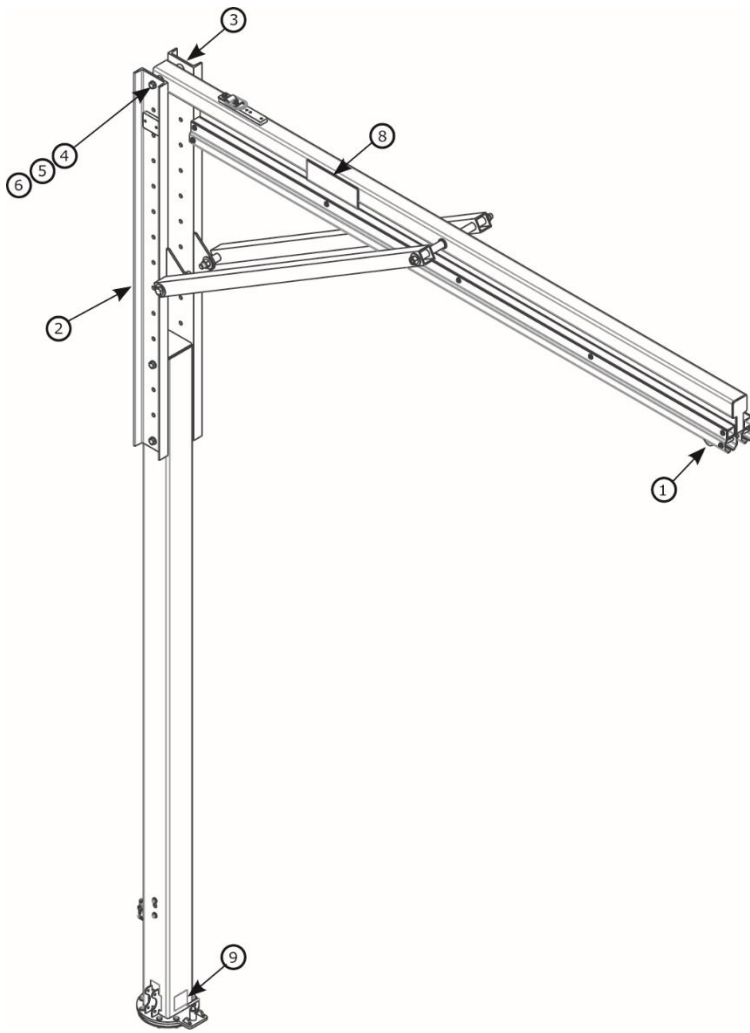
2x  ≤ 310 lb.
(140 kg)



	A	B	C	lb. (kg)
8530902	15.0 ft. - 20.0 ft. (4.6 m - 6.1 m)	16.1 ft. - 21.1 ft. (4.9 m - 6.4 m)	13.7 ft. - 18.7 ft. (4.2 m - 5.7 m)	850 lb. (386 kg)
8530903	20.0 ft. - 25.0 ft. (6.1 m - 7.6 m)	21.1 ft. - 26.1 ft. (6.4 m - 7.9 m)	18.7 ft. - 23.7 ft. (5.7 m - 7.2 m)	961 lb. (436 kg)
8530904	25.0 ft. - 30.0 ft. (7.6 m - 9.1 m)	26.1 ft. - 31.1 ft. (7.9 m - 9.6 m)	23.7 ft. - 28.7 ft. (7.2 m - 8.7 m)	1,073 lb. (487 kg)

Semi-Fixed Davit Components

TECHNICAL DATA SHEET: 8530902-8530904



	Part Number	Description	Material	Quantity
1	8521711	Trolley	Stainless Steel, Steel, Nylon	1
2	8549933	Rescue Mount Channel	Steel	1
3	8550248	Channel	Steel	1
4	8526654	3/4" x 9" Bolt	Steel	2
5	8522275	3/4" Washer	Steel	4
6	8518276	3/4" Nut	Steel	2
7	9514429	ID Label	Polyester	1

	Part Number	Description	Material	Quantity
8	9515111	3M Label	Polyester	2
9	9515101	Rotation Label	Polyester	1
10	8550398	Rotation Stop	Aluminum	2
11	9515112	User Label	Polyester	1

M200 Counterweight Base

TECHNICAL DATA SHEET: 8530886, 8530887



APPLICATION:

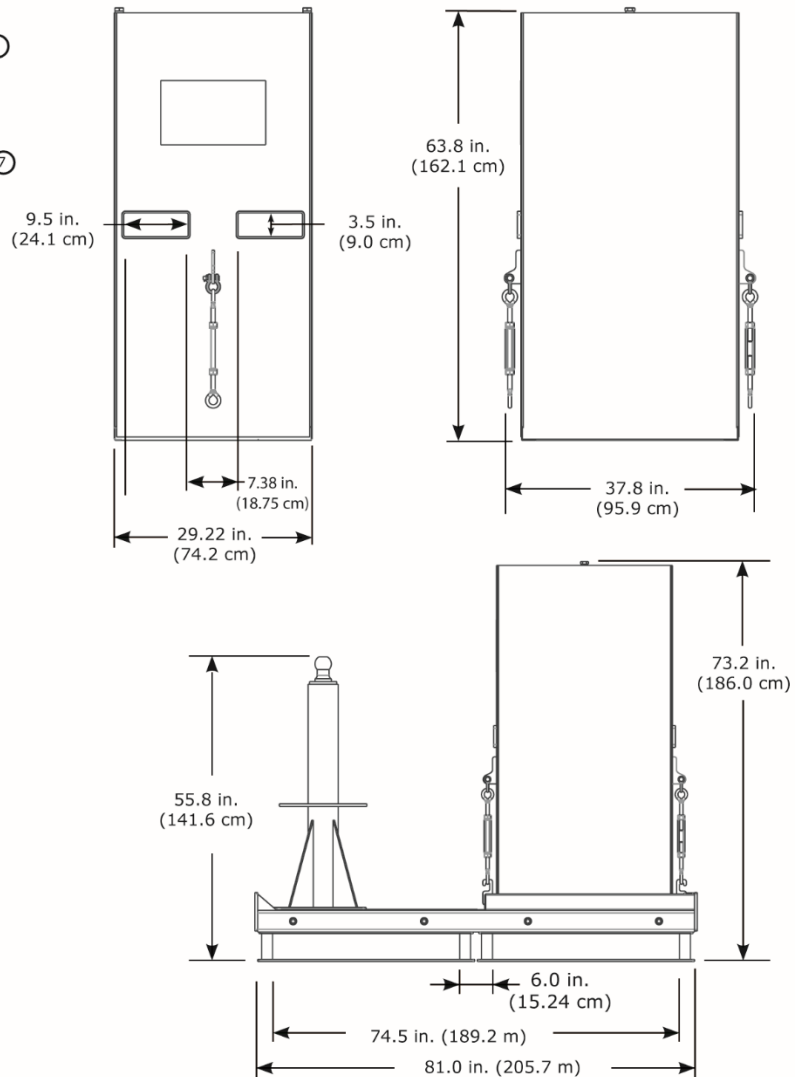
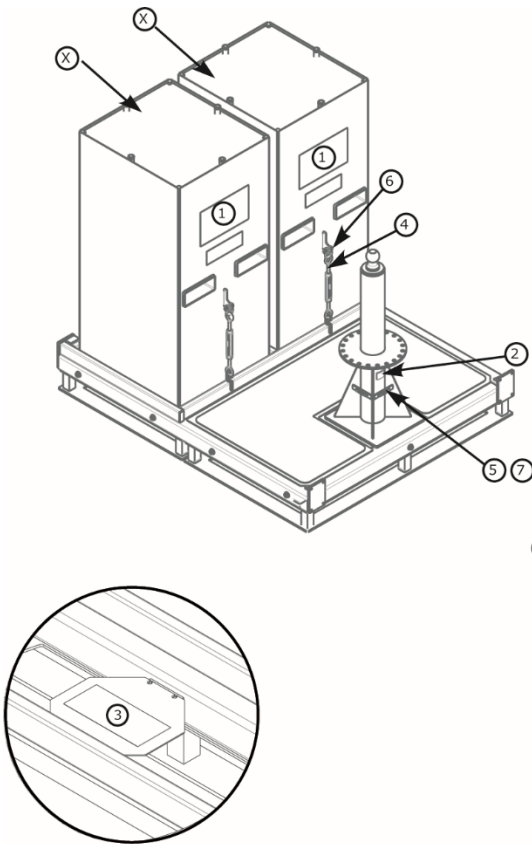
The davit base is designed to be used as a mounting point for the davit system.

For more information on product installation, refer to the user instructions.

Standards: CEN/TS 16415:2013 Type E, EN795:2012 Type E, OSHA 1910.140, OSHA 1926.502

	X 4,000 psi (30 MPa)	Resting Structure Requirements	Weight
8530886		14,645 lb. (6,643 kg) + Weight of M200 Jib Boom	2,407 lb. (1,092 kg)
8530887	✓		11,325 lb. (5,137 kg)

Component List				
	Part Number	Description	Material	Quantity
1	9515107	User Label	Polyester	1
2	9514429	ID Label	Polyester	1
3	9515106	Warning Label	Polyester	1
4	8520575	Turnbuckle	Steel	2
5	9513627	#4 Screw	Steel	4
6	9501794	Shackle	Steel	2
7	9515058	Level Bubble	Plastic	2
8	9515566	Warning Label	Polyester	4

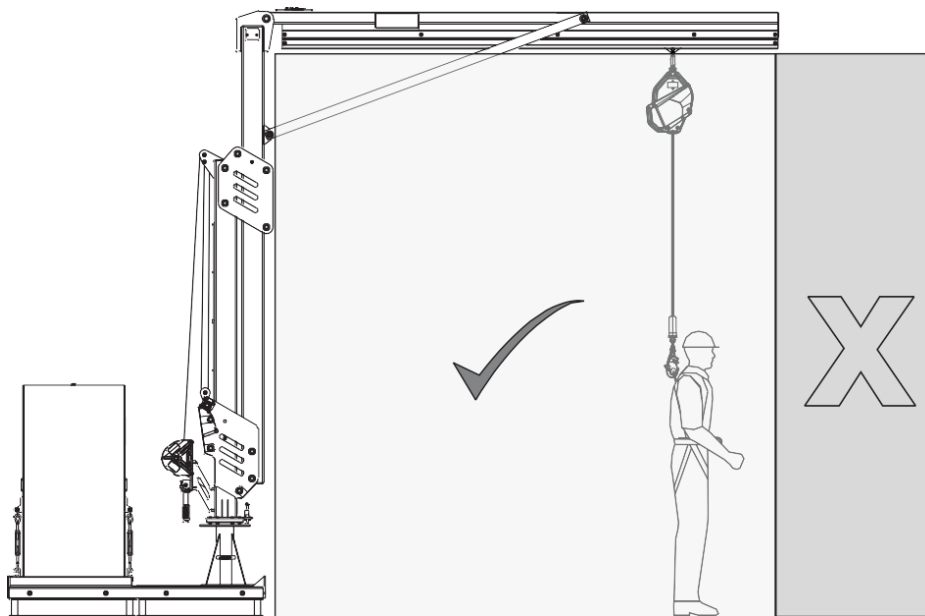
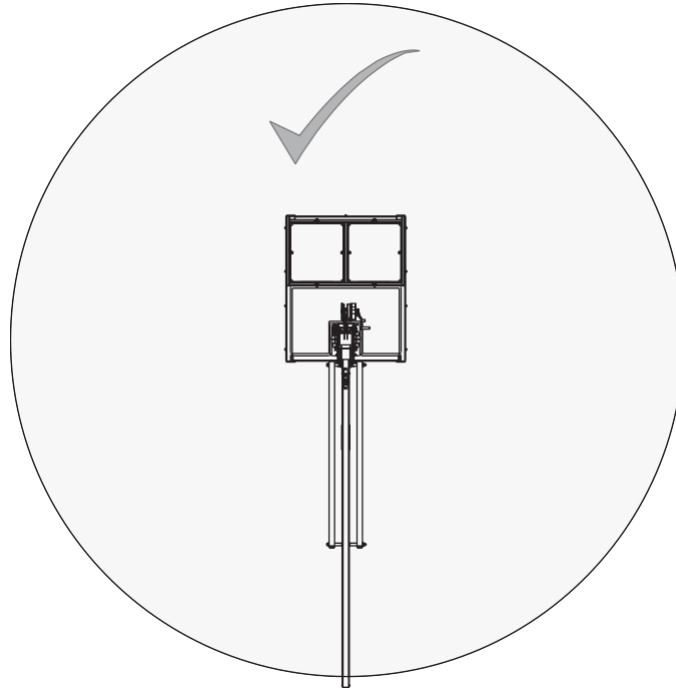


M200 Counterweight Base Working Area
TECHNICAL DATA SHEET: 8530886, 8530887



APPLICATION:

Refer to the diagram below for the working area of the product.



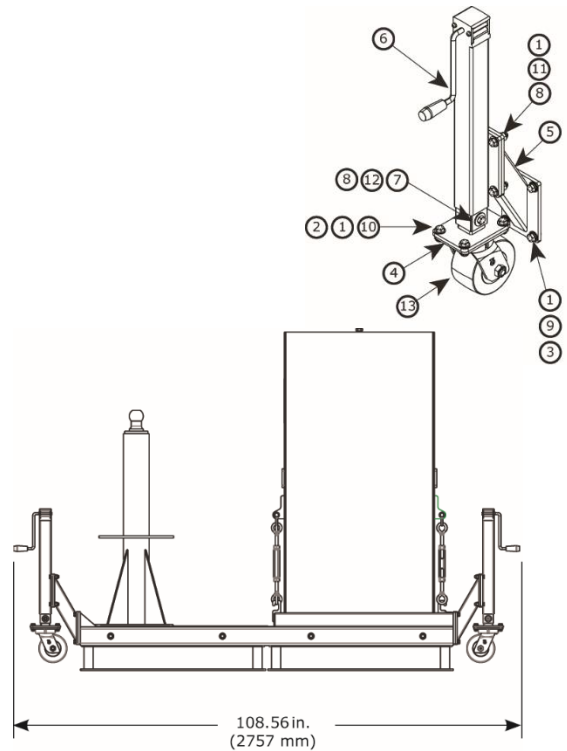
M200 Counterweight Base Accessories

TECHNICAL DATA SHEET: 8530907, 8530908, 8530777

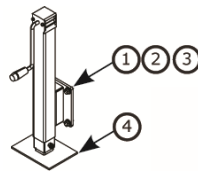


Fall Protection

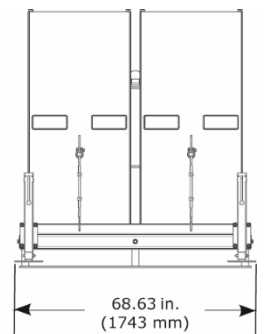
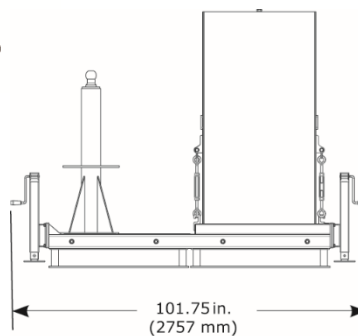
Component List				
	Part Number	Description	Material	Quantity
1	8510037	1/2" Washer	Steel	80
2	8512460	1/2" X 1 1/4" Bolt	Steel	16
3	8518432	1/2" x 1" Bolt	Steel	16
4	8550153	Wheel Weldment	Steel	4
5	8550155	Angled Weldment	Steel	4
6	8550156	Mounted Weldment	Steel	4
7	9501243	1/2" Washer	Steel	8
8	9501831	1/2" Hex Nut	Steel	20
9	9504221	1/2" Washer	Steel	16
10	9504813	1/2" Hex Nut	Steel	16
11	9509276	1/2" x 1 3/4" Bolt	Steel	16
12	9510153	1/2" x 3 1/4" Bolt	Steel	4
13	9515081	Caster Wheel	Steel, Urethane	4



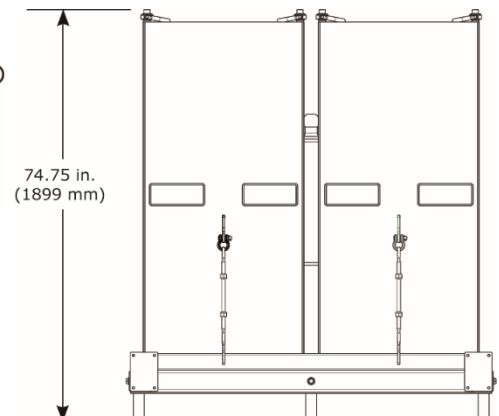
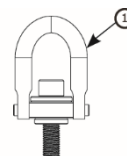
	8530907	8530908	8530777
Weight	108 lb. (49 kg)	152 lb. (69 kg)	12 lb. (5.4 kg)



	Part Number	Description	Material	Quantity
1	9504221	1/2" Lock Washer	Steel	16
2	8510037	1/2" Washer	Steel	16
3	8518432	1/2" x 1" Bolt	Steel	16
4	8550177	Wheel Weldment	Steel	4



Component List				
	Part Number	Description	Material	Quantity
1	9512574	Lifting Ring	Steel	4





M200 Counterweight Base Center of Gravity

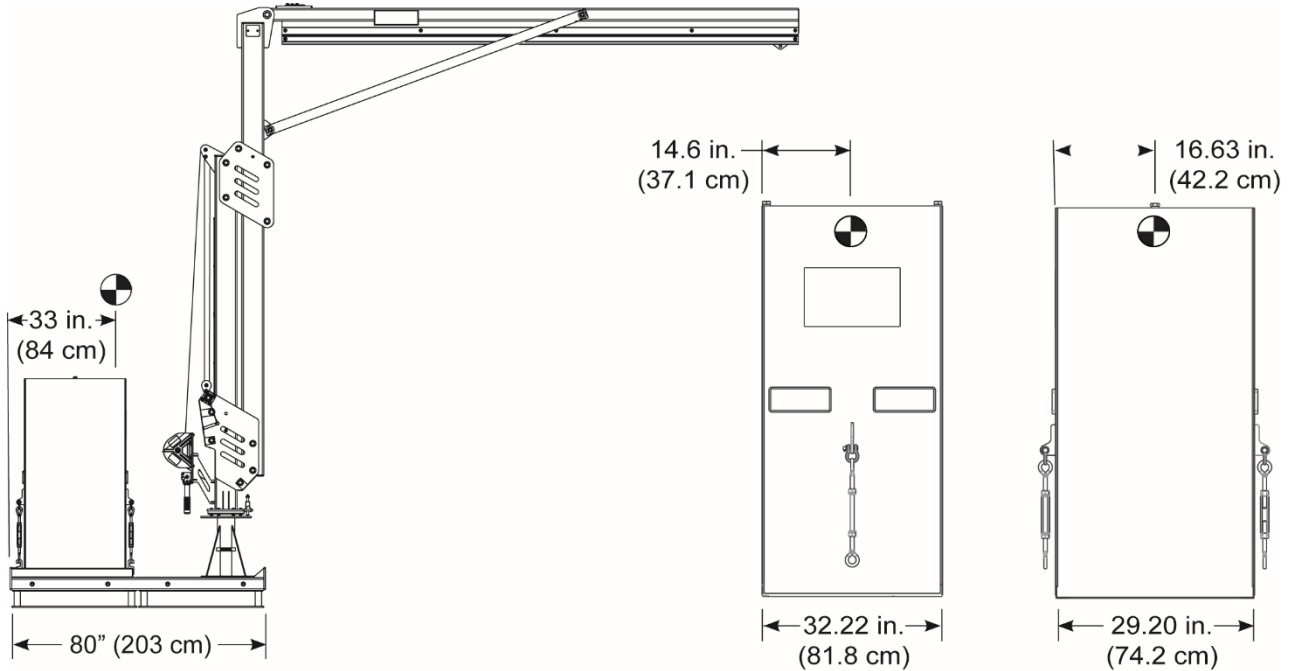
TECHNICAL DATA SHEET: 8530886, 8530887

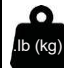



Fall Protection

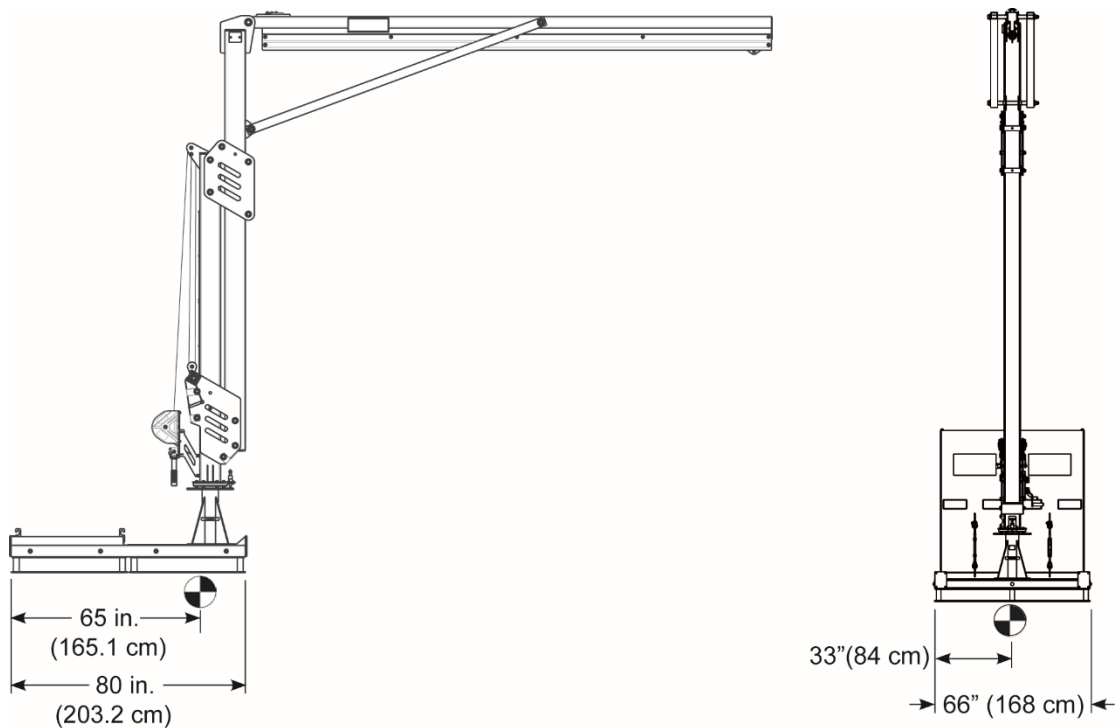
8530887	8530898
 .lb (kg)	12,668 lbs. (5,746 kg)

 .lb (kg)	5,000 lbs. (2,268 kg)
--	--------------------------



8530887	8530898
 .lb (kg)	2,668 lbs. (1,210 kg)

8530887	8530898
 .lb (kg)	12,668 lbs. (5,746 kg)



M200 Floor Mount Base

TECHNICAL DATA SHEET: 8530888



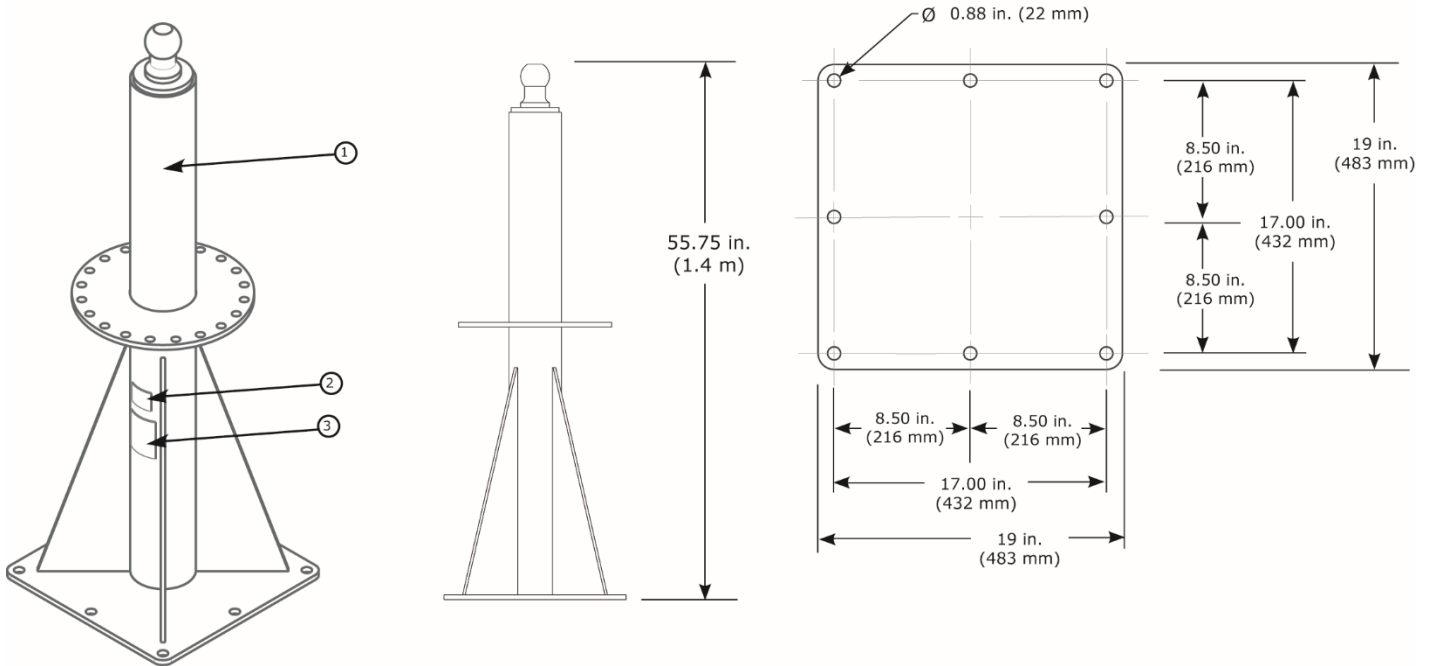
APPLICATION:

The davit base is designed to be used as a mounting point for the davit system.

For more information on product installation, refer to the user instructions.

Standards: CEN/TS 16415:2013 Type A, EN795:2012 Type A, OSHA 1910.140, OSHA 1926.502

	Weight
8530888	265 lb. (120 kg)



Component List				
	Part Number	Description	Material	Quantity
1	8549921	Base Weldment	Steel	1
2	9514429	ID Label	Polyester	1
3	9515114	User Label	Polyester	1

Mounting Requirements		
Minimum Fastener Pullout Force	Mounting Structure Minimum Moment Load	Mounting Structure Minimum Vertical Load
9,386 lb. (4,257 kg)	501,633 in-lb. (56,677 N-m)	3,320 lb. (1,506 kg) + Base Weight + Weight of M200 Jib Boom

M200 Flush Mount Base

TECHNICAL DATA SHEET: 8530889, 8530920, 8530921



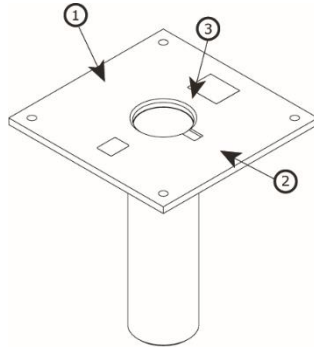
APPLICATION:

The davit base is designed to be used as a mounting point for the davit system.

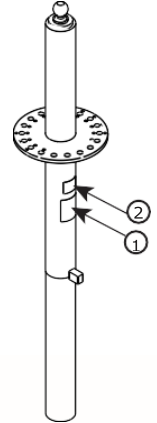
For more information on product installation, refer to the user instructions.

Standards: CEN/TS 16415:2013, EN795:2012 Type A, OSHA 1910.140, OSHA 1926.502

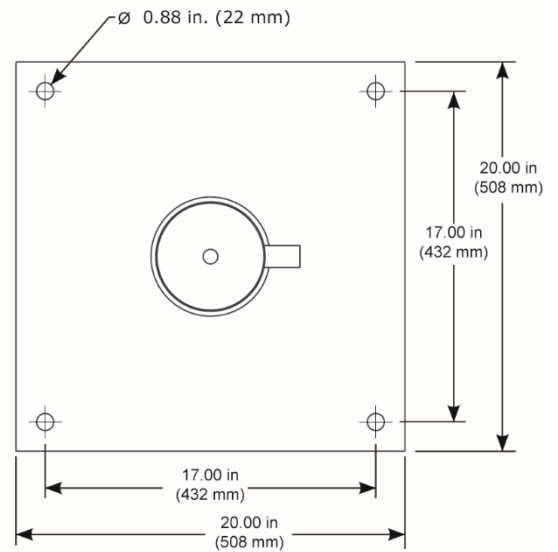
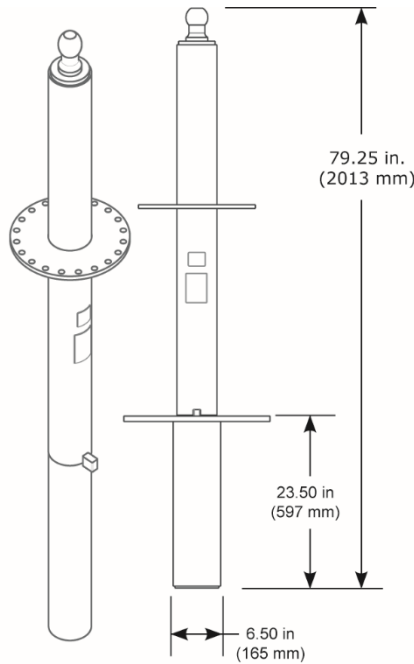
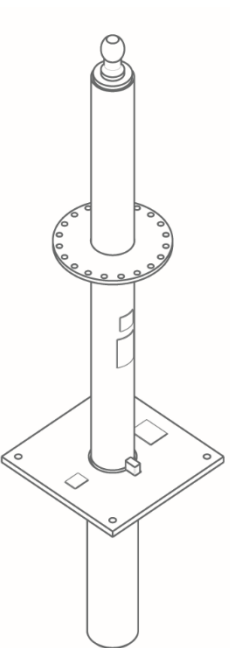
	Weight
8530920	140 lb. (64 kg)



	Weight
8530921	237 lb. (107 kg)



	Weight
8530889	377 lb. (171 kg)



Component List				
	Part Number	Description	Material	Quantity
1	9515114	User Label	Polyester	1
2	9514429	ID Label	Polyester	1
3	8550165	Base Cap	Aluminum Rubber	1

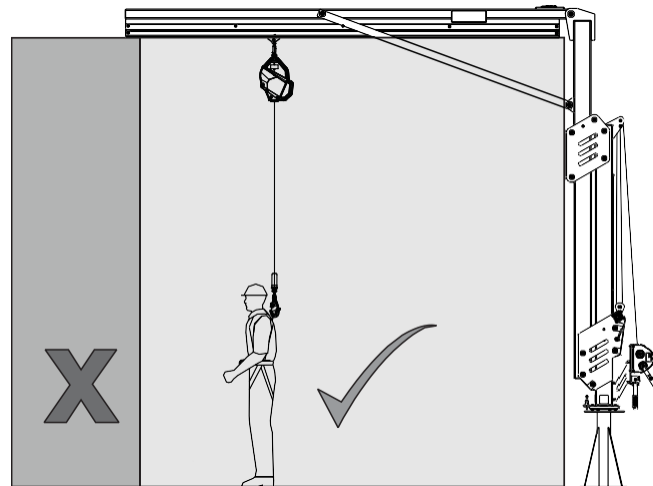
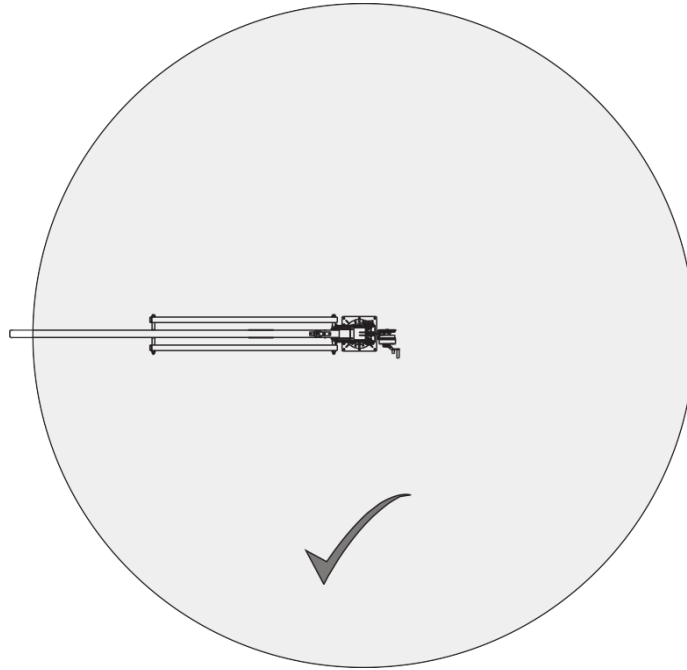
Mounting Requirements	
Mounting Structure Minimum Moment Load	Mounting Structure Minimum Vertical Load
501,633 in-lb. (56,677 N-m)	3,320 lb. (1,506 kg) + Base Weight + Weight of M200 Jib Boom

M200 Floor Mount Bases Working Area
TECHNICAL DATA SHEET: 8530888, 8530889



APPLICATION:

Refer to the diagram below for the working area of the product.



Fork Pocket Kit

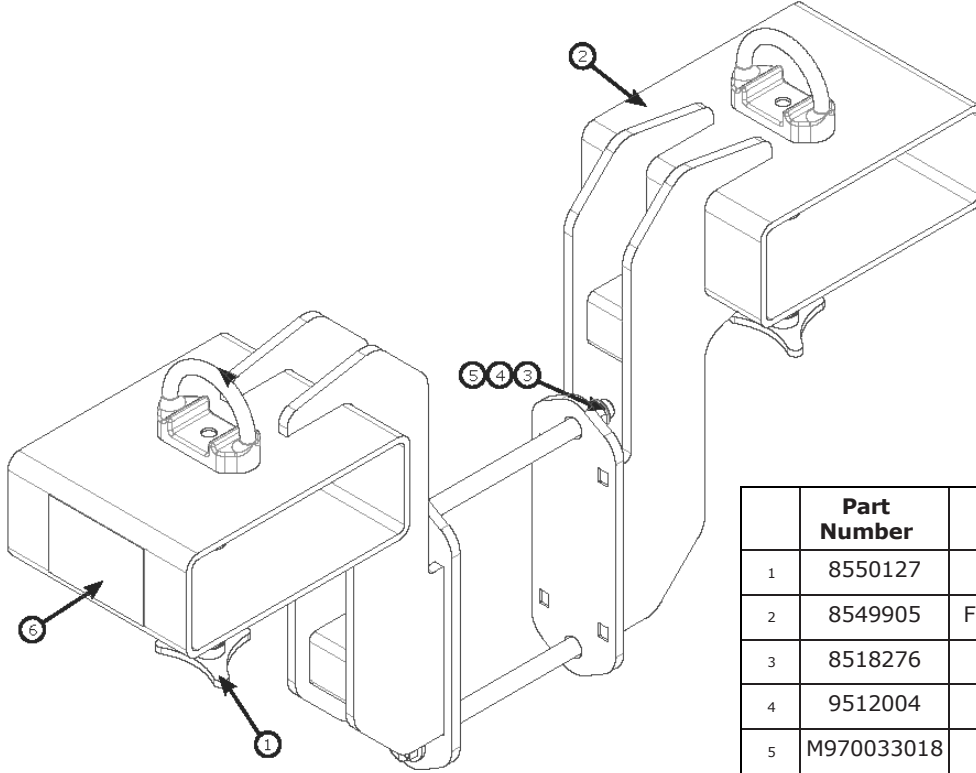
TECHNICAL DATA SHEET: 8530912



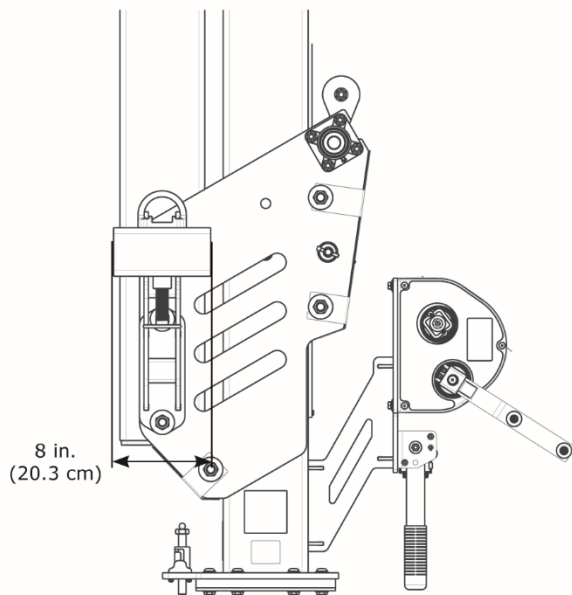
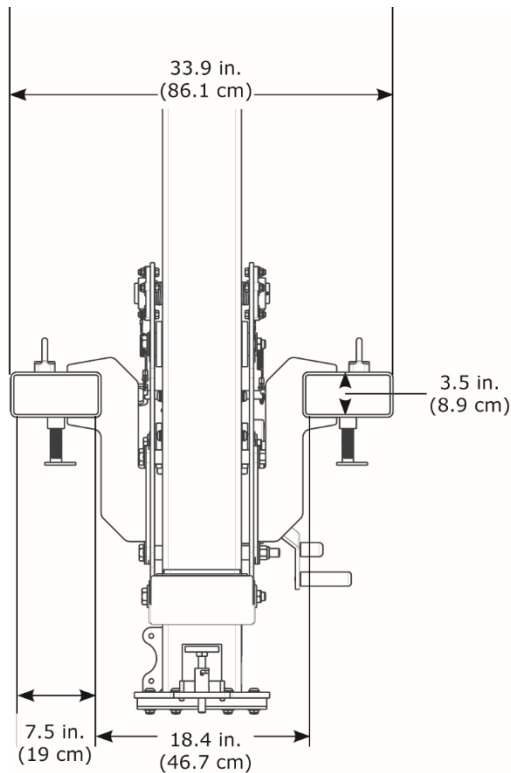
APPLICATION:

This fork pocket kit model is designed to transport the winch-operated davit models **8530891–8530898**.

For more information on component installation, refer to the user instructions.



	Part Number	Component	Quantity
1	8550127	Tri-Screw	2
2	8549905	Fork Pocket Weldment	2
3	8518276	3/4" Hex Nut	2
4	9512004	3/4" X 12" Bolt	2
5	M970033018	3/4" Washer	4
6	9515122	User Label	1
	9500146	Chain Link	2
	8517096	Chain	10 ft.



Fork Pocket Kit

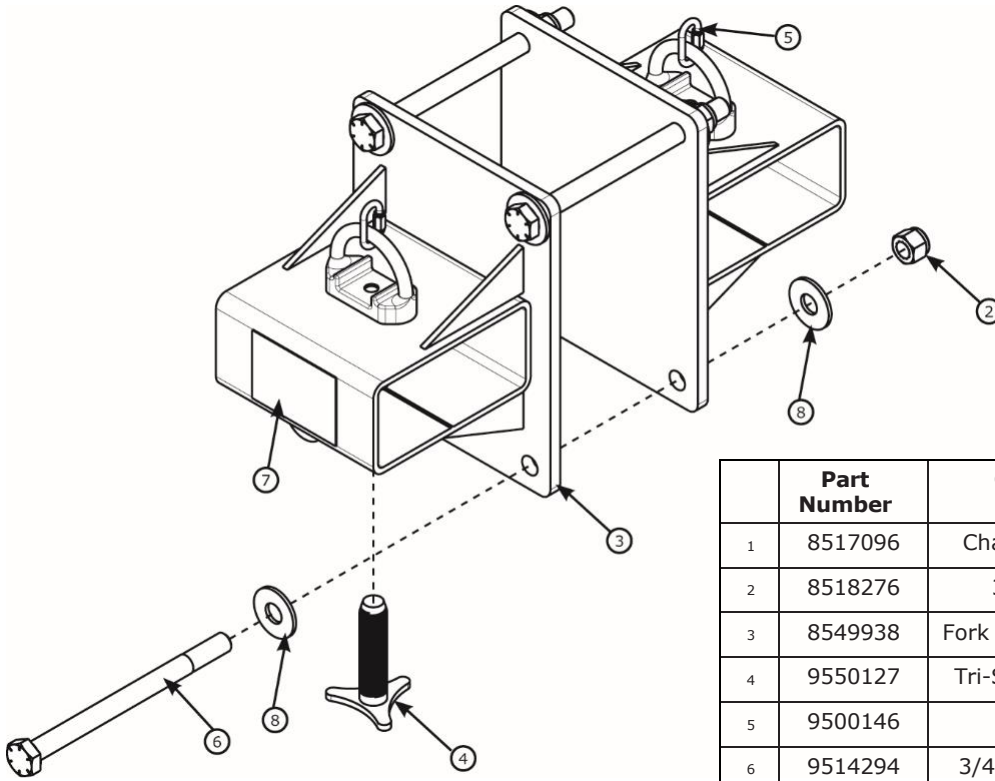
TECHNICAL DATA SHEET: 8530925



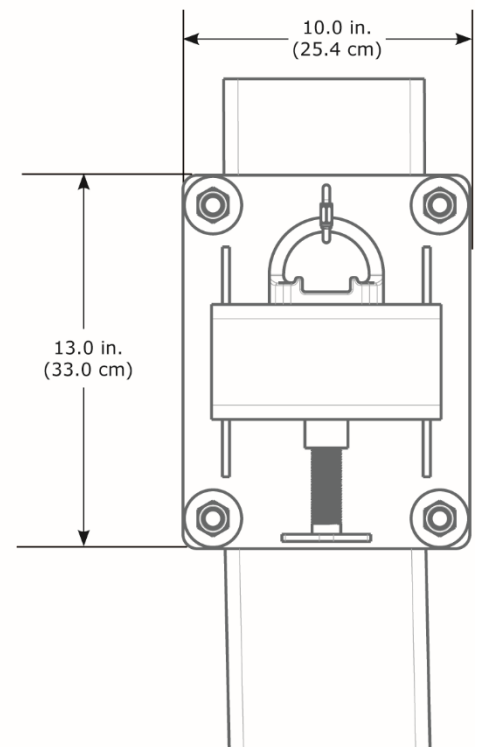
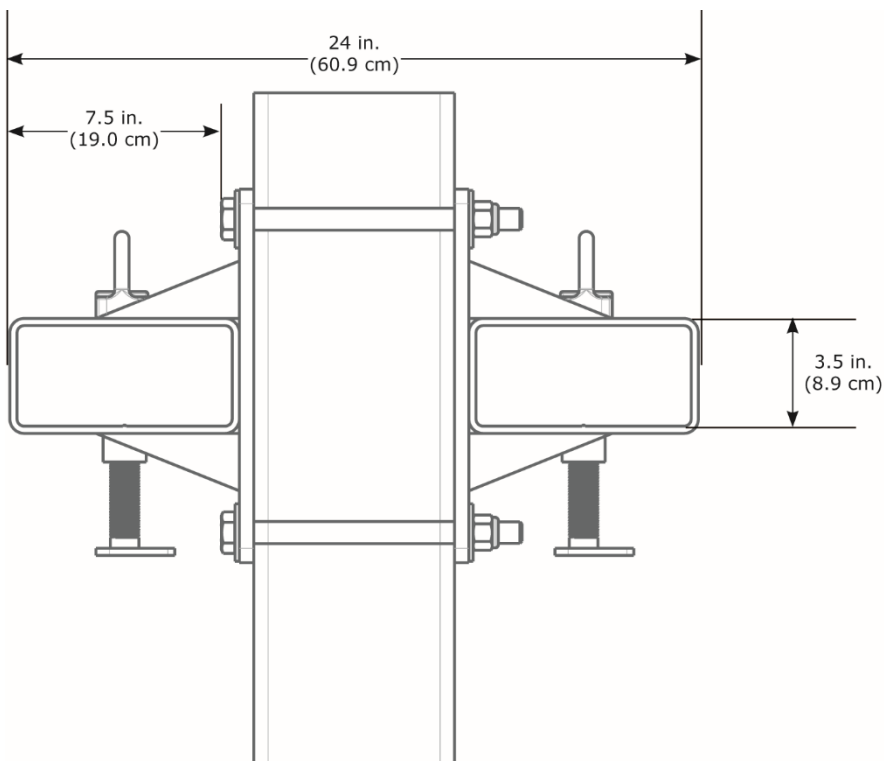
APPLICATION:

This fork pocket kit model is designed to transport the davit with adjustment channel models **8530899–8530904**.

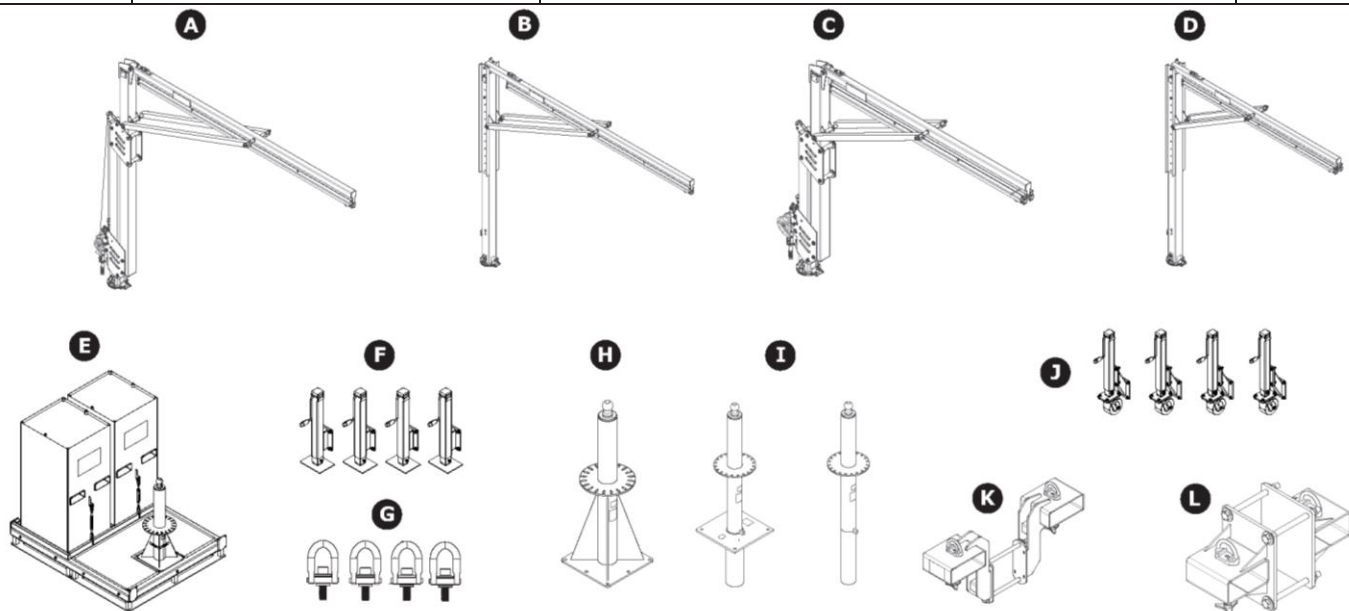
For more information on component installation, refer to the user instructions.



	Part Number	Component	Quantity
1	8517096	Chain (not shown)	10 ft.
2	8518276	3/4" Hex Nut	4
3	8549938	Fork Pocket Weldment	2
4	9550127	Tri-Screw Weldment	2
5	9500146	Quick Link	2
6	9514294	3/4" Hex Head Bolt	4
7	9515573	Warning Label	1
8	M970033018	3/4" Washer	8



Обаждане	Технически лист с данни	Описание	Страница
A	8530891	12,3 фута – 15 фута (3,8 м – 4,6 м) Регулируем давит	20
	8530892	14,8 фута – 20 фута (4,5 м – 6,1 м) Регулируем давит	20
	8530893	17,3 фута – 25 фута (5,3 м – 7,6 м) Регулируем давит	20
	8530894	19,8 фута – 30 фута (6,1 м – 9,1 м) Регулируем давит	20
B	8530899	15 фута – 20 фута (4,6 м – 6,1 м) Полуфиксиран давит	22
	8530900	20 фута – 25 фута (6,1 м – 7,6 м) Полуфиксиран давит	22
	8530901	25 фута – 30 фута (7,6 м – 9,1 м) Полуфиксиран давит	22
C	8530895	12,3 фута – 15 фута (3,8 м – 4,6 м) Регулируем давит	24
	8530896	14,8 фута – 20 фута (4,5 м – 6,1 м) Регулируем давит	24
	8530897	17,3 фута – 25 фута (5,3 м – 7,6 м) Регулируем давит	24
	8530898	19,8 фута – 30 фута (6,1 м – 9,1 м) Регулируем давит	24
D	8530902	15 фута – 20 фута (4,6 м – 6,1 м) Полуфиксиран давит	26
	8530903	20 фута – 25 фута (6,1 м – 7,6 м) Полуфиксиран давит	26
	8530904	25 фута – 30 фута (7,6 м – 9,1 м) Полуфиксиран давит	26
E	8530886	Незапълнена основа за противотежест	28
	8530887	Запълнена основа за противотежест	28
F	8530907	Крикоче за основа на противотежест	30
G	8530777	Повдигащи пръстени за основа на противотежест	30
H	8530888	Подова монтажна основа	32
I	8530889, 8530920, 8530921	Основна монтажна основа	33
J	8530908	Колела за основа на противотежест	30
K	8530912	Комплект за джобове за вилици	35
L	8530925	Комплект за джобове за вилици	36



Регулируем давит

ТЕХНИЧЕСКИ ЛИСТ С ДАННИ: 8530891-8530894



ПРИЛОЖЕНИЕ:

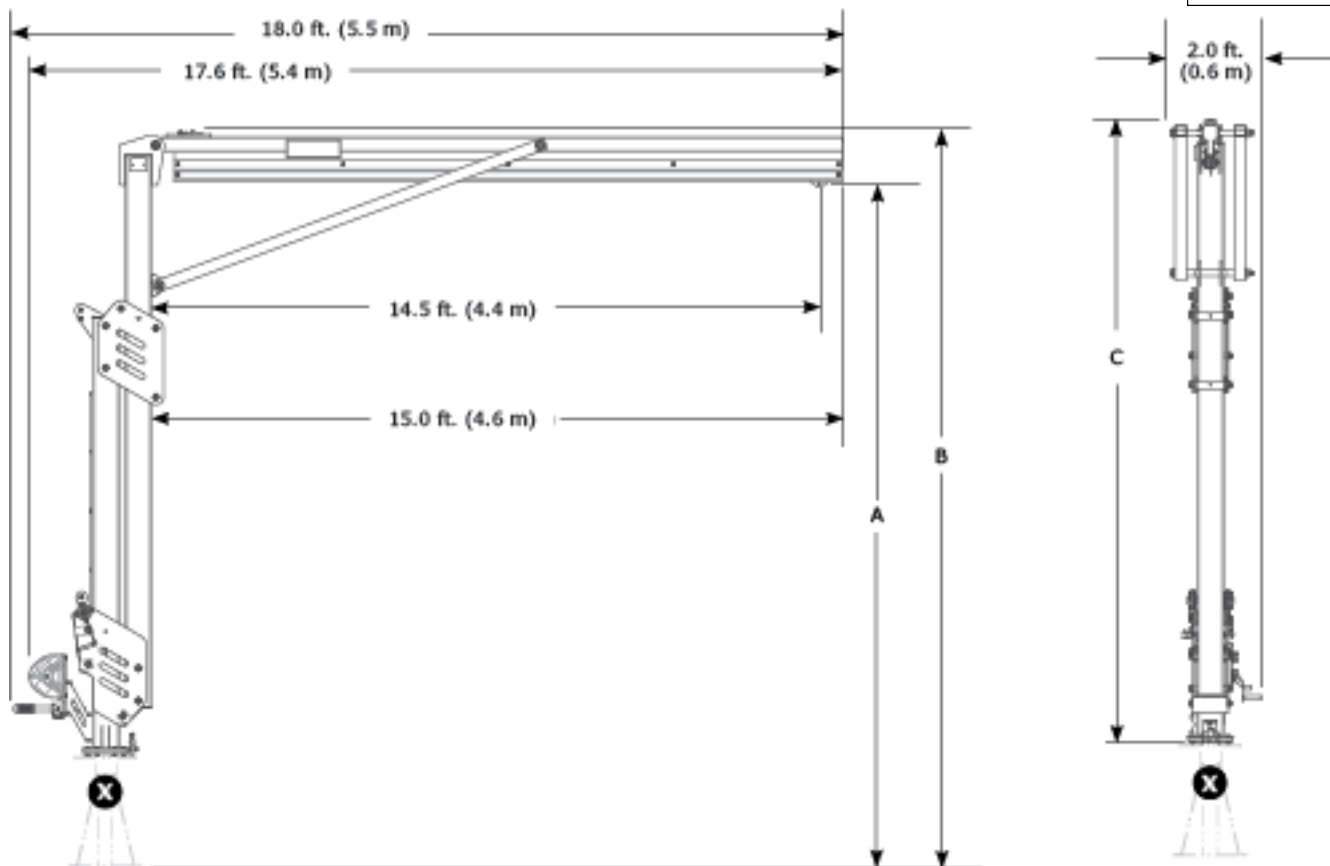
Давитът е проектиран да осигурява точки за свързване на анкер за система за защита от падане.

За повече информация относно инсталирането на продукта, вижте инструкциите за употреба.

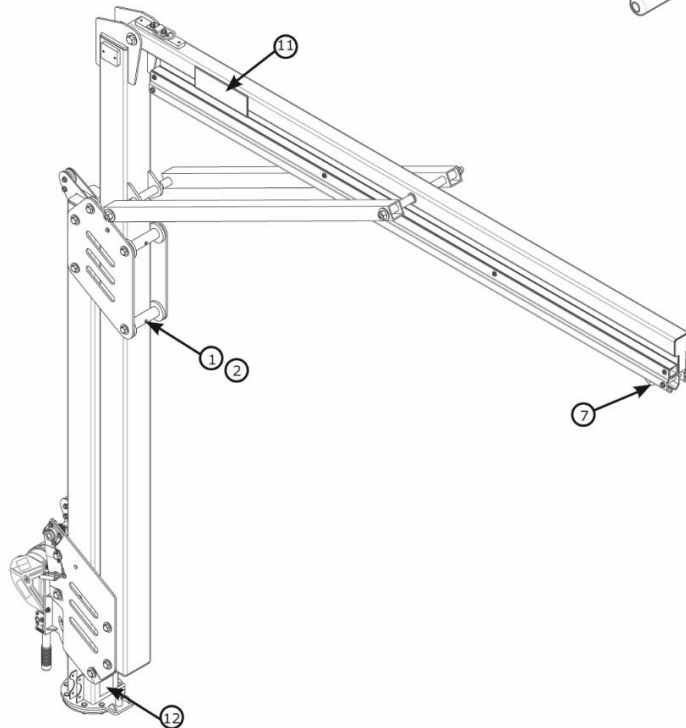
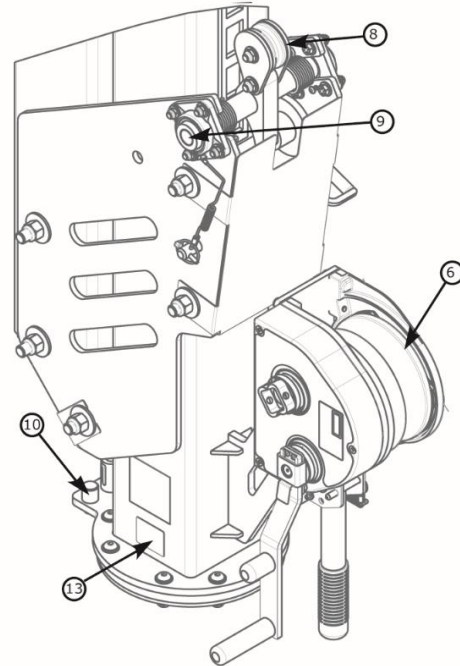
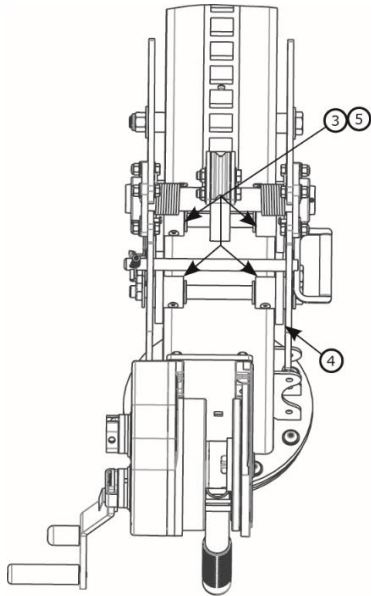
Стандарти: EN795:2012 Тип E, OSHA 1910.140, OSHA 1926.502

≤ 1350 lb.
(6 kN)

1x ≤ 310 lb.
(140 kg)



	A	B	C	lb. (kg)
8530891	12.3 ft. – 15.0 ft. (3.8 m – 4.6 m)	13.4 ft. – 16.1 ft. (4.1 m – 4.9 m)	9.8 ft. – 14.8 ft. (3.0 m – 4.5 ft.)	945 lb. (429 kg)
8530892	14.8 ft. – 20.0 ft. (4.5 m – 6.1 m)	15.9 ft. – 21.1 ft. (4.8 m – 6.4 m)	13.5 ft. – 18.7 ft. (4.1 m – 5.7 m)	1,057 lb. (479 kg)
8530893	17.3 ft. – 25.0 ft. (5.3 m – 7.6 m)	18.4 ft. – 26.1 ft. (5.6 m – 8.0 m)	16.0 – 23.7 ft. (4.9 m – 7.2 m)	1,169 lb. (530 kg)
8530894	19.8 ft. – 30.0 ft. (6.0 m – 9.1 m)	20.9 ft. – 31.1 ft. (6.4 m – 9.5 m)	18.5 ft. – 28.7 ft. (5.6 m – 8.7 m)	1,281 lb. (581 kg)



Списък с компоненти				
	Номер на част	Описание	Материал	Количество
1	8550046	Широка ролка	Найлон	3
2	8550047	Разделител за широка ролка	Неръждаема стомана 304	3
3	8550327	Тясна ролка	Найлон	2
4	9514703	Странична ролка	Найлон	8
5	8550213	Разделител за тясна ролка	Неръждаема стомана 304	2
6	8549930	Лебедка	Стомана	1
7	8521711	Тролей	Стомана, Найлон	1

Списък с компоненти				
	Номер на част	Описание	Материал	Количество
8	8550223	Заклучващ механизъм (само оторизиран ремонт)	Стомана, Найлон	1
9	9515138	Лагери	Стомана	2
10	8550398	Стопер за въртене	Алуминий	2
11	9515111	Етикет 3M	Полиестер	2
12	9515101	Етикет за въртене	Полиестер	1
13	9514429	Идентификационен етикет	Полиестер	1
14	9515112	Потребителски етикет	Полиестер	1

Полуфиксиран давит

ТЕХНИЧЕСКИ ЛИСТ С ДАННИ: 8530899-8530901





ПРИЛОЖЕНИЕ:

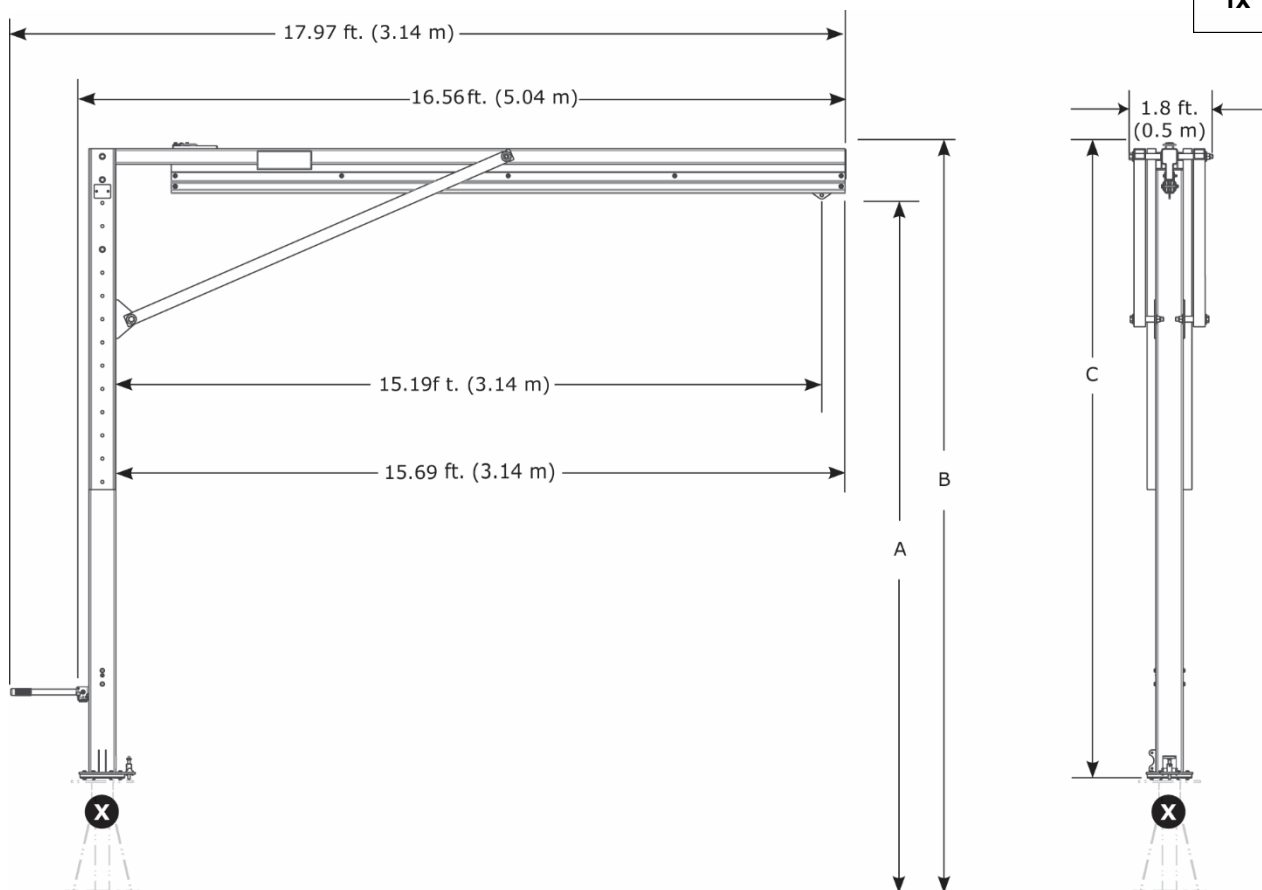
Давитът е проектиран да осигурява точки за свързване на анкер за система за защита от падане.

За повече информация относно инсталирането на продукта, вижте инструкциите за употреба.

Стандарти: EN795:2012 Тип Е, OSHA 1910.140, OSHA 1926.502


≤ 1350 lb.
(6 kN)

1x

≤ 310 lb.
(140 kg)



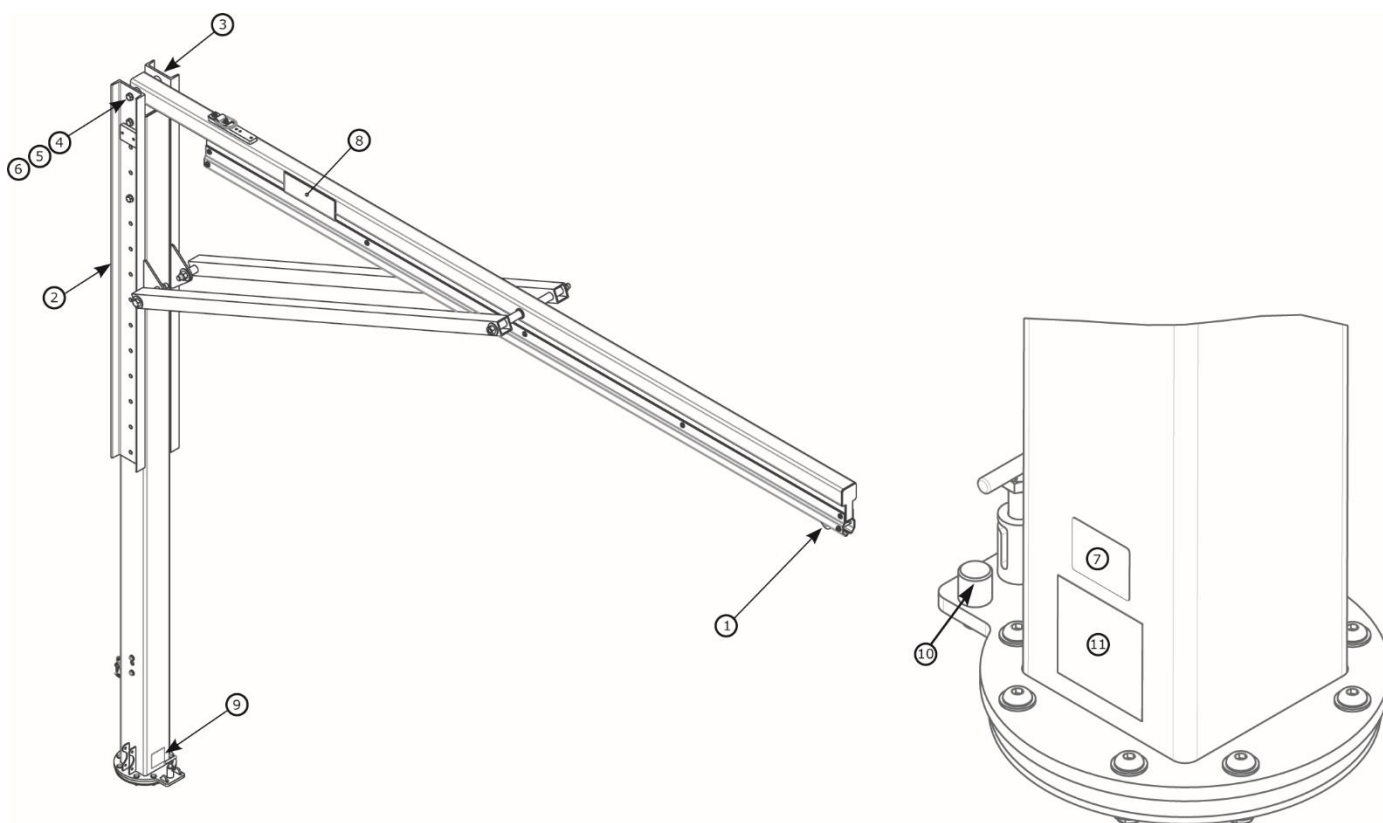
	A	B	C	lb. (kg)
8530899	15.0 ft. – 20.0 ft. (4.6 m – 6.1 m)	16.1 ft. – 21.1 ft. (4.9 m – 6.4 m)	13.7 ft. – 18.7 ft. (4.2 m – 5.7 m)	818 lb. (371 kg)
8530900	20.0 ft. – 25.0 ft. (6.1 m – 7.6 m)	21.1 ft. – 26.1 ft. (6.4 m – 7.9 m)	18.7 ft. – 23.7 ft. (5.7 m – 7.2 m)	930 lb. (422 kg)
8530901	25.0 ft. – 30.0 ft. (7.6 m – 9.1 m)	26.1 ft. – 31.1 ft. (7.9 m – 9.6 m)	23.7 ft. – 28.7 ft. (7.2 m – 8.7 m)	1,041 lb. (472 kg)
+6" (152 mm) стъпки на регулиране				

Компоненти на полуфиксиран давит

ТЕХНИЧЕСКИ ЛИСТ С ДАННИ: 8530899-8530901



Fall Protection



Номер на част	Описание	Материал	Количество
1	8521711 Тролей	Неръждаема стомана, Стомана, Найлон	1
2	8549933 Канал за спасителен монтаж	Стомана	1
3	8550248 Канал	Стомана	1
4	8526654 Болт 3/4" x 9"	Стомана	2
5	8522275 Шайба 3/4"	Стомана	4
6	8518276 Гайка 3/4"	Стомана	2
7	9514429 Идентификационен етикет	Полиестер	1

Номер на част	Описание	Материал	Количество
8	9515111 Етикет 3М	Полиестер	2
9	9515101 Етикет за въртене	Полиестер	1
10	8550398 Стопер за въртене	Алуминий	2
11	9515112 Потребителски етикет	Полиестер	1

Регулируем давит

ТЕХНИЧЕСКИ ЛИСТ С ДАННИ: 8530895–8530898

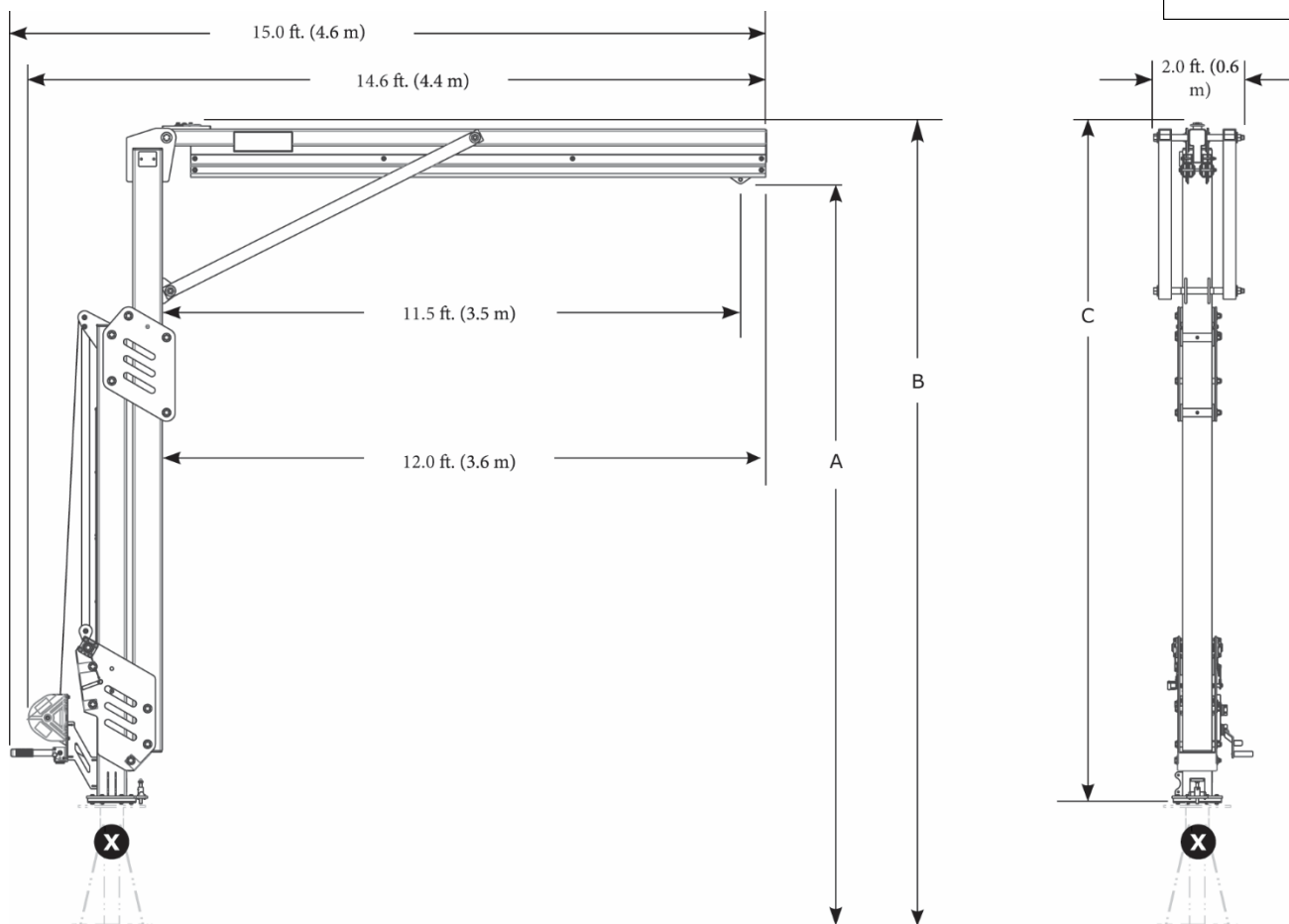
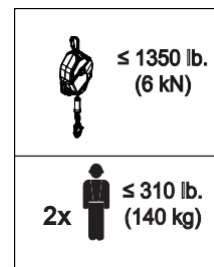


ПРИЛОЖЕНИЕ:

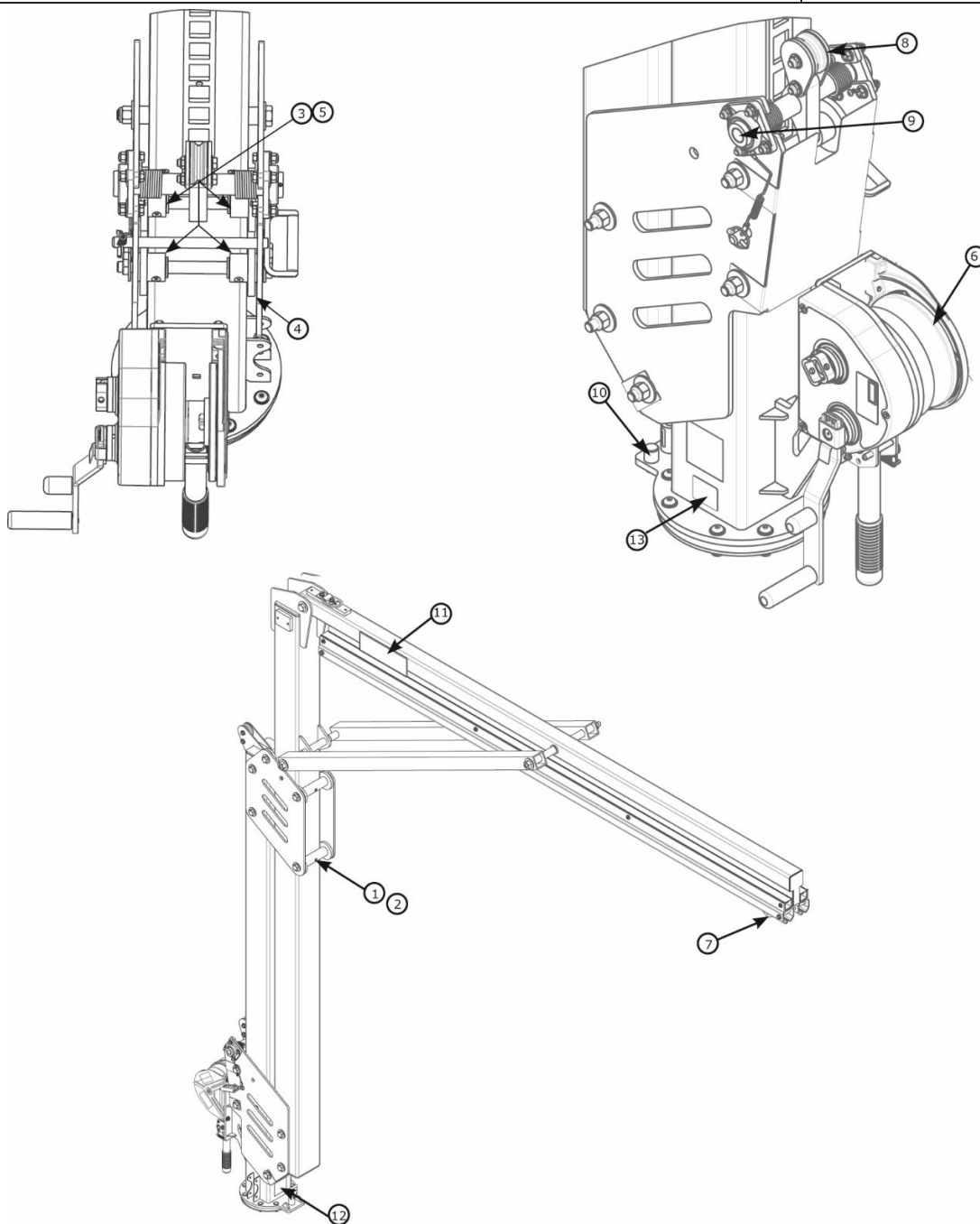
Давитът е проектиран да осигурява точки за свързване на анкер за система за защита от падане.

За повече информация относно инсталирането на продукта, вижте инструкциите за употреба.

Стандарти: CEN/TS 16415:2013 Тип Е, EN795:2012 Тип Е, OSHA 1910.140, OSHA 1926.502



	A	B	C	lb. (kg)
8530895	12.3 ft. – 15.0 ft. (3.8 m – 4.6 m)	13.4 ft. – 16.1 ft. (4.1 m – 4.9 m)	11.0 ft. – 13.7 ft. (3.4 m – 4.2 ft.)	1,011 lb. (459 kg)
8530896	14.8 ft. – 20.0 ft. (4.5 m – 6.1 m)	15.9 ft. – 21.1 ft. (4.8 m – 6.4 m)	13.5 ft. – 18.7 ft. (4.1 m – 5.7 m)	1,123 lb. (509 kg)
8530897	17.3 ft. – 25.0 ft. (5.3 m – 7.6 m)	18.4 ft. – 26.1 ft. (5.6 m – 8.0 m)	16.0 – 23.7 ft. (4.9 m – 7.2 m)	1,235 lb. (560 kg)
8530898	19.8 ft. – 30.0 ft. (6.0 m – 9.1 m)	20.9 ft. – 31.1 ft. (6.4 m – 9.5 m)	18.5 ft. – 28.7 ft. (5.6 m – 8.7 m)	1,343 lb. (609 kg)



Списък с компоненти

	Номер на част	Описание	Материал	Количество
1	8550046	Широка ролка	Найлон	3
2	8550047	Разделител за широка ролка	Неръждаема стомана 304	3
3	8550327	Тясна ролка	Найлон	2
4	9514703	Странична ролка	Найлон	8
5	8550213	Разделител за тясна ролка	Неръждаема стомана 304	2
6	8549930	Лебедка	Стомана	1
7	8521711	Тролей	Стомана, Найлон	1

Списък с компоненти

	Номер на част	Описание	Материал	Количество
8	8550223	Заклучващ механизъм (само оторизиран ремонт)	Стомана, Найлон	1
9	9515138	Лагери	Стомана	2
10	8550398	Стопер за въртене	Алуминий	2
11	9515111	Етикет 3M	Полиестер	2
12	9515101	Етикет за въртене	Полиестер	1
13	9514429	Идентификационен етикет	Полиестер	1
14	9515112	Потребителски етикет	Полиестер	1

Полуфиксиран давит

ТЕХНИЧЕСКИ ЛИСТ С ДАННИ: 8530902-8530904




ПРИЛОЖЕНИЕ:


Давитът е проектиран да осигурява точки за свързване на анкер за система за защита от падане.

За повече информация относно инсталирането на продукта, вижте инструкциите за употреба.

Стандарти: CEN/TS 16415:2013 Тип Е, EN795:2012 Тип Е, OSHA 1910.140, OSHA 1926.502

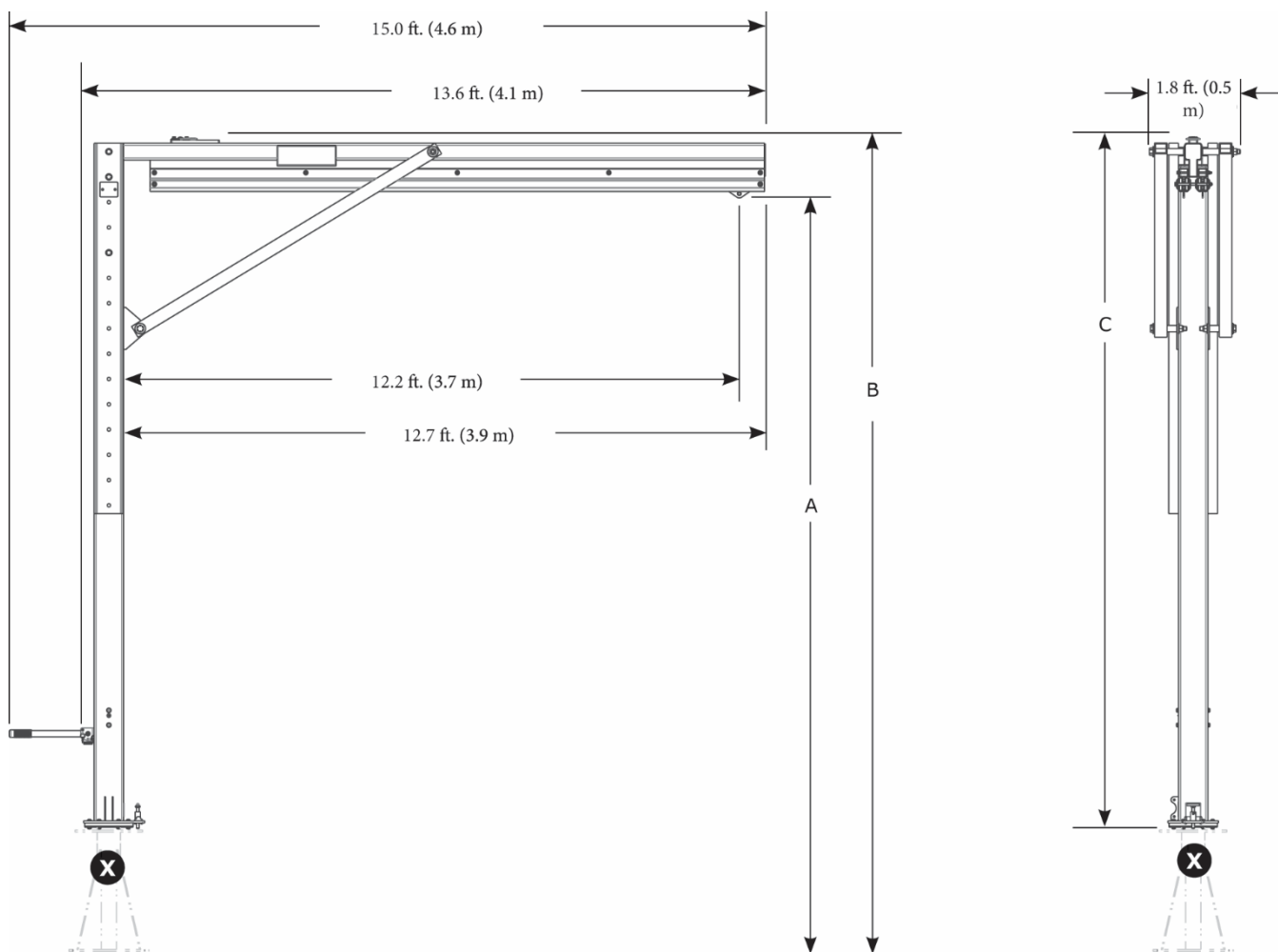


≤ 1350 lb.
(6 kN)



≤ 310 lb.
(140 kg)

2x

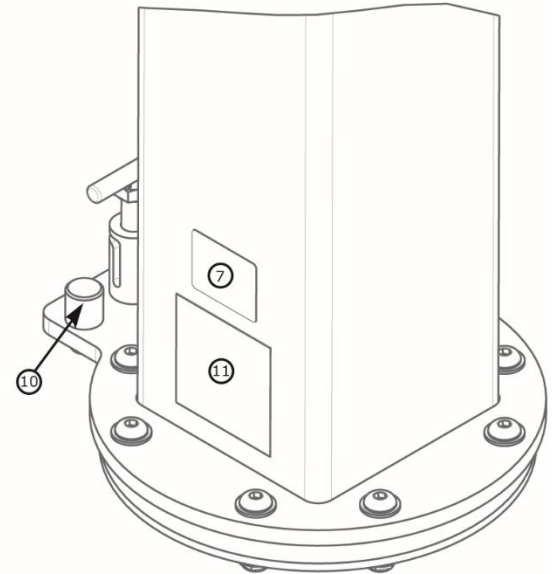
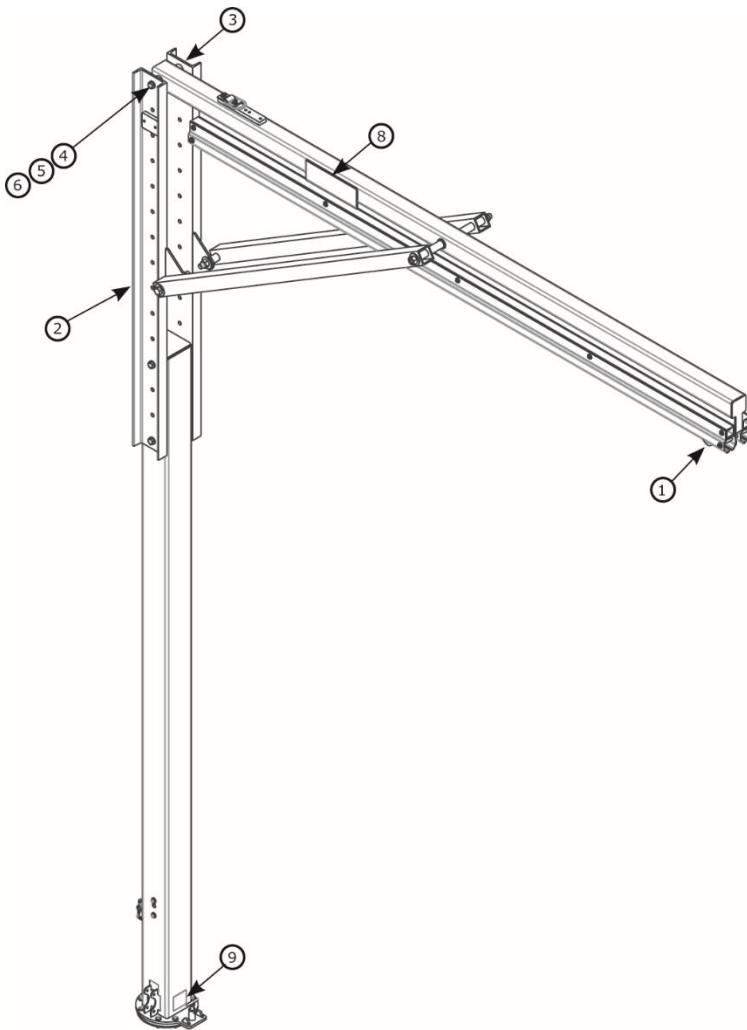


	A	B	C	lb. (kg)
8530902	15.0 ft. – 20.0 ft. (4.6 m – 6.1 m)	16.1 ft. – 21.1 ft. (4.9 m – 6.4 m)	13.7 ft. – 18.7 ft. (4.2 m – 5.7 m)	850 lb. (386 kg)
8530903	20.0 ft. – 25.0 ft. (6.1 m – 7.6 m)	21.1 ft. – 26.1 ft. (6.4 m – 7.9 m)	18.7 ft. – 23.7 ft. (5.7 m – 7.2 m)	961 lb. (436 kg)
8530904	25.0 ft. – 30.0 ft. (7.6 m – 9.1 m)	26.1 ft. – 31.1 ft. (7.9 m – 9.6 m)	23.7 ft. – 28.7 ft. (7.2 m – 8.7 m)	1,073 lb. (487 kg)

Компоненти на полуфиксиран давит
ТЕХНИЧЕСКИ ЛИСТ С ДАННИ: 8530902-8530904

3M

DBI
SALA
 Fall Protection



	Номер на част	Описание	Материал	Количество
1	8521711	Тролей	Неръждаема стомана, Стомана, Найлон	1
2	8549933	Канал за спасителен монтаж	Стомана	1
3	8550248	Канал	Стомана	1
4	8526654	Болт 3/4" x 9"	Стомана	2
5	8522275	Шайба 3/4"	Стомана	4
6	8518276	Гайка 3/4"	Стомана	2
7	9514429	Идентификационен етикет	Полиестер	1

	Номер на част	Описание	Материал	Количество
8	9515111	Етикет 3M	Полиестер	2
9	9515101	Етикет за въртене	Полиестер	1
10	8550398	Стопер за въртене	Алуминий	2
11	9515112	Потребителски етикет	Полиестер	1

Основа за противотежест M200

ТЕХНИЧЕСКИ ЛИСТ С ДАННИ: 8530886, 8530887



ПРИЛОЖЕНИЕ:

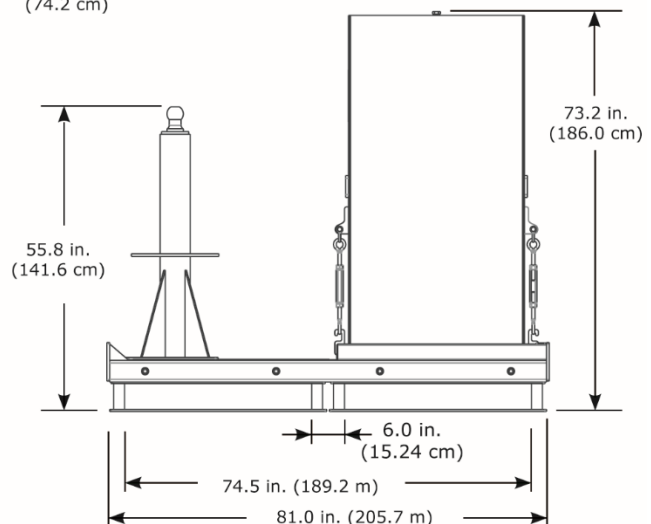
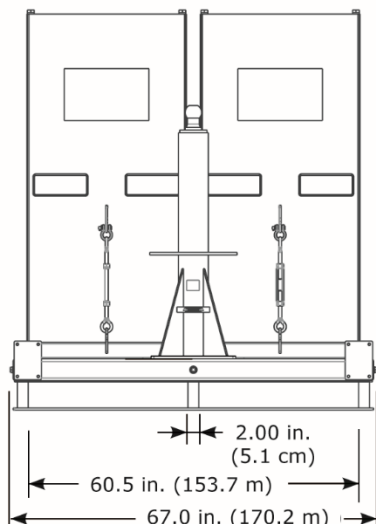
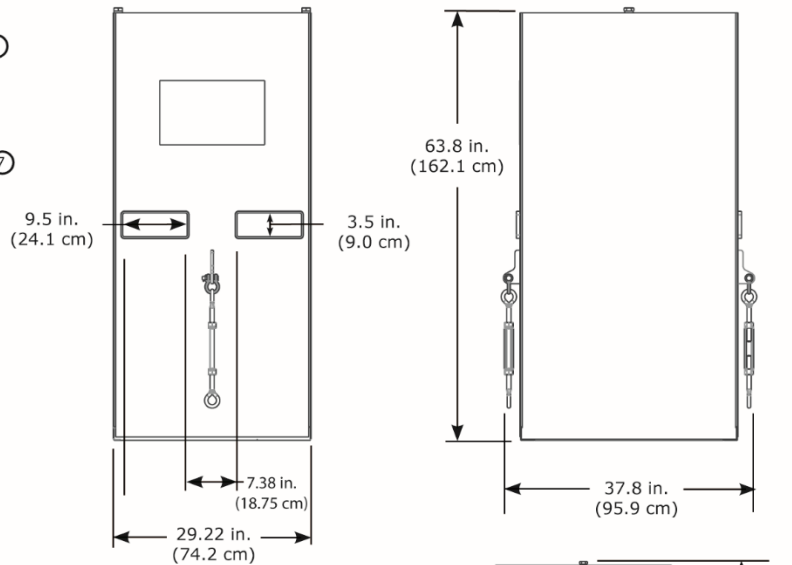
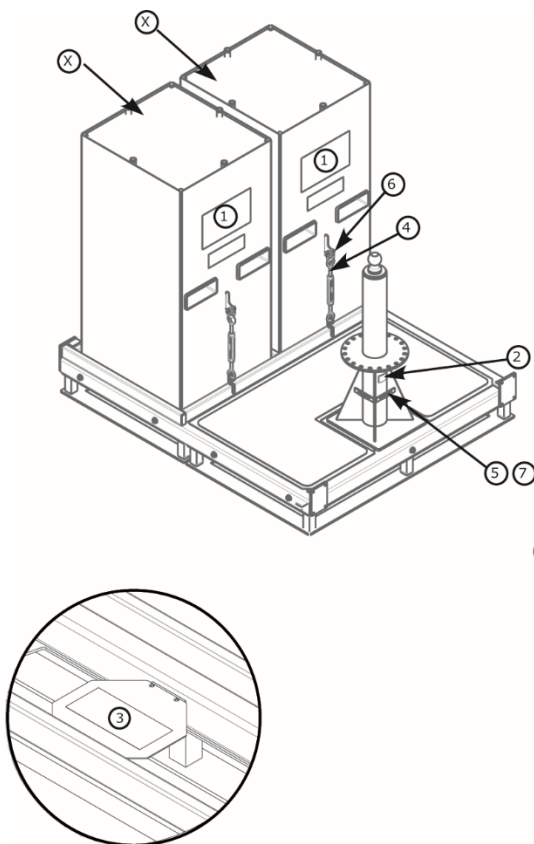
Основата за давит е проектирана да се използва като монтажна точка за системата на давит.

За повече информация относно инсталирането на продукта, вижте инструкциите за употреба.

Стандарти: CEN/TS 16415:2013 Тип E, EN795:2012 Тип E, OSHA 1910.140, OSHA 1926.502

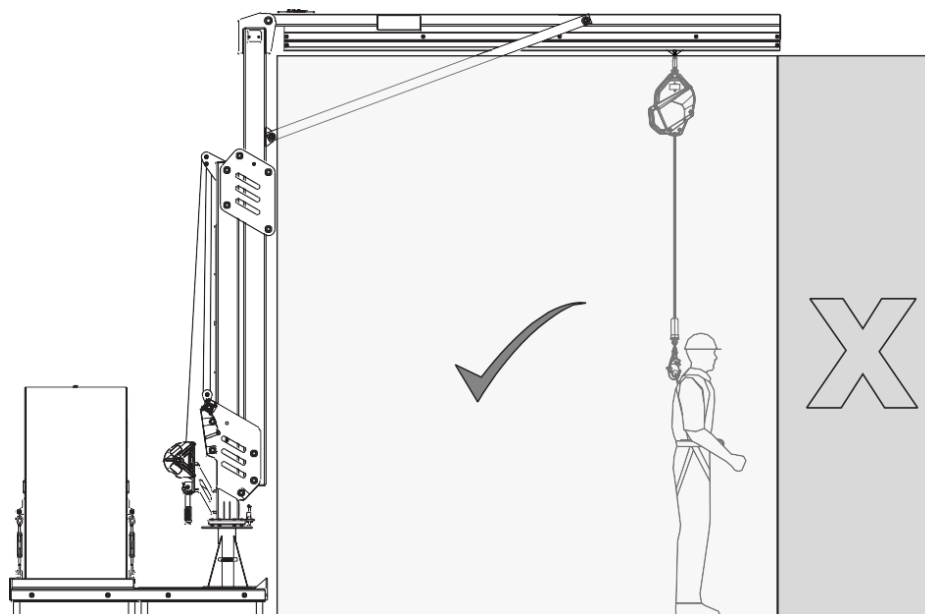
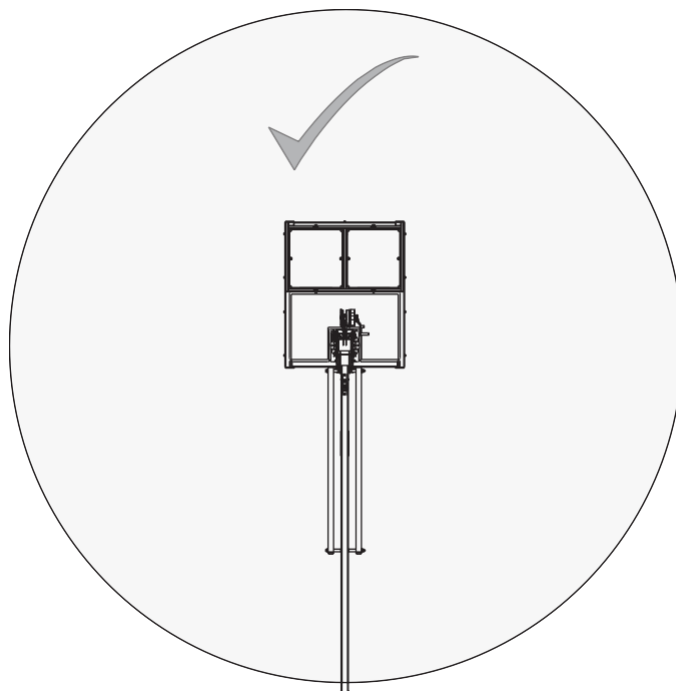
	X 4,000 psi (30 MPa)	Изисквания към опорната структура	Тегло
8530886		14,645 lb. (6,643 kg) + Тегло на стрелата M200	2,407 lb. (1,092 kg)
8530887	✓		11,325 lb. (5,137 kg)

Списък с компоненти				
	Номер на част	Описание	Материал	Количество
	1	Потребителски етикет	Полиестер	1
	2	Идентификационен етикет	Полиестер	1
	3	Предупредителен етикет	Полиестер	1
	4	Обтегач	Стомана	2
	5	Винт #4	Стомана	4
	6	Скоба	Стомана	2
	7	Нивелирна балонка	Пластмаса	2
	8	Предупредителен етикет	Полиестер	4



ПРИЛОЖЕНИЕ:

Вижте диаграмата по-долу за работната зона на продукта.



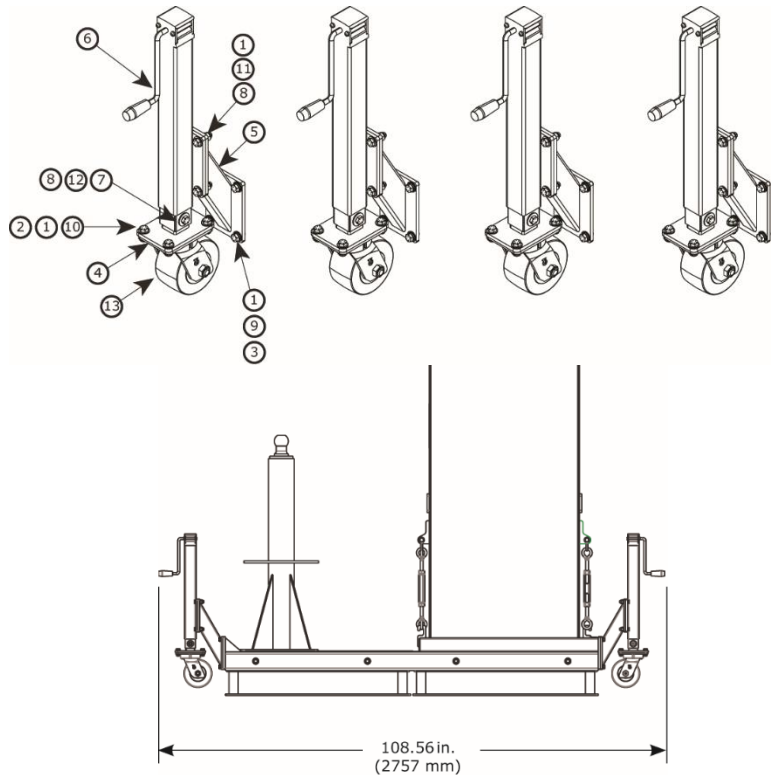
Акcesoари за основа за противотежест M200
ТЕХНИЧЕСКИ ЛИСТ С ДАННИ: 8530907, 8530908, 8530777



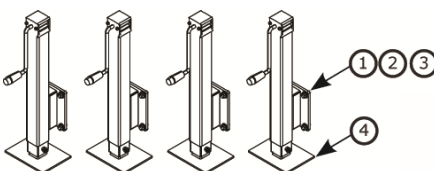
Fall Protection

Тегло	
8530908	152 lb. (69 kg)

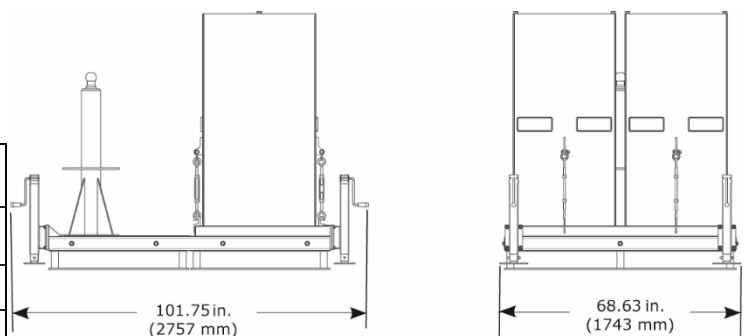
Списък с компоненти				
	Номер на част	Описание	Материал	Количество
1	8510037	Шайба 1/2"	Стомана	80
2	8512460	Болт 1/2" x 1 1/4"	Стомана	16
3	8518432	Болт 1/2" x 1"	Стомана	16
4	8550153	Колело за заварка	Стомана	4
5	8550155	Ъглова заварка	Стомана	4
6	8550156	Монтирана заварка	Стомана	4
7	9501243	Шайба 1/2"	Стомана	8
8	9501831	Шестоъгълна гайка 1/2"	Стомана	20
9	9504221	Шайба 1/2"	Стомана	16
10	9504813	Шестоъгълна гайка 1/2"	Стомана	16
11	9509276	Болт 1/2" x 1 3/4"	Стомана	16
12	9510153	Болт 1/2" x 3 1/4"	Стомана	4
13	9515081	Колело с въртяща се ос	Стомана, Уретан	4



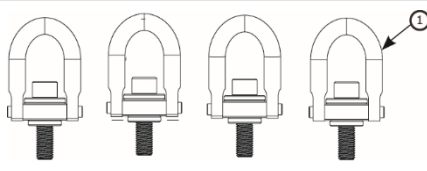
Тегло	
8530907	108 lb. (49 kg)



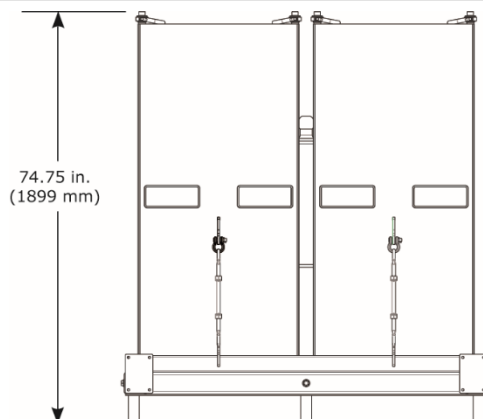
	Номер на част	Описание	Материал	Количество
1	9504221	Заклучваща шайба 1/2"	Стомана	16
2	8510037	Шайба 1/2"	Стомана	16
3	8518432	Болт 1/2" x 1"	Стомана	16
4	8550177	Колело за заварка	Стомана	4



Тегло	
8530777	12 lb. (5.4 kg)





Списък с компоненти				
	Номер на част	Описание	Материал	Количество
1	9512574	Повдигащ пръстен	Стомана	4

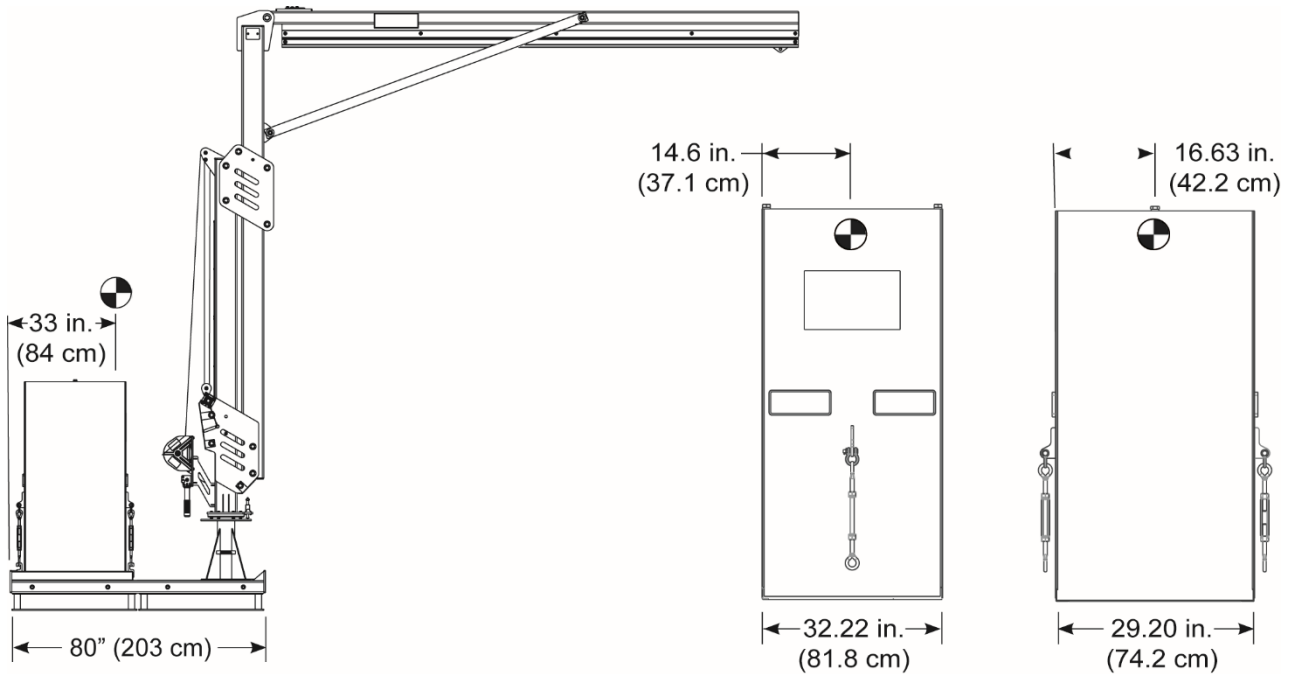



Център на тежестта на основата за противотежест M200
ТЕХНИЧЕСКИ ЛИСТ С ДАННИ: 8530886, 8530887




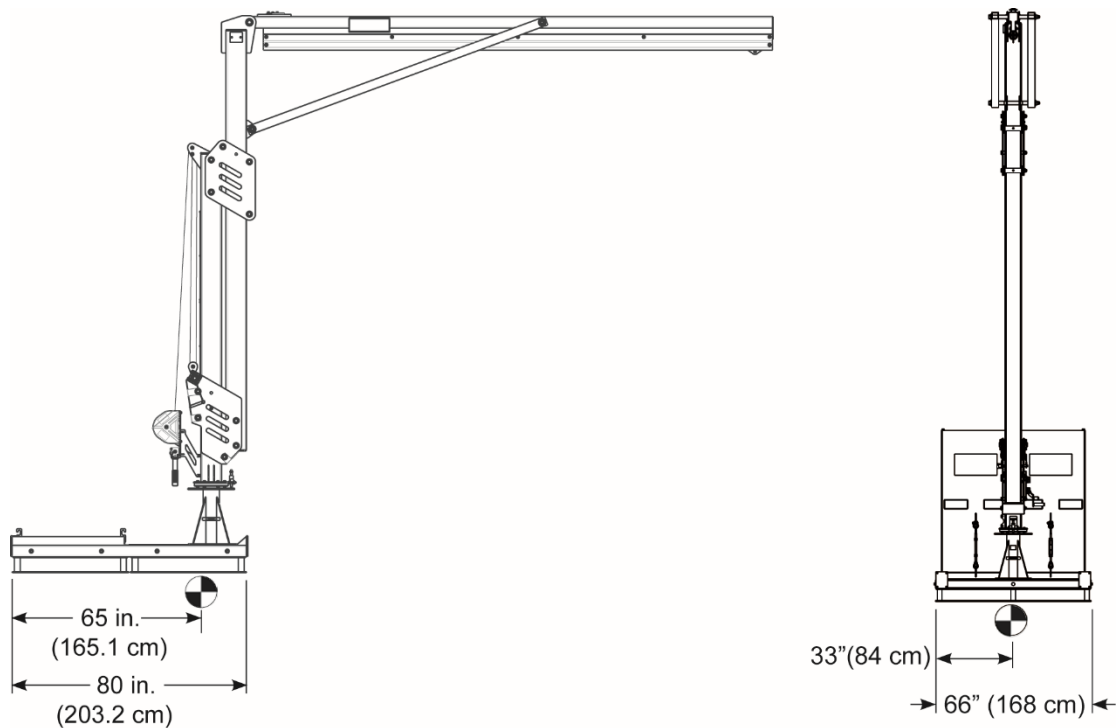
8530887	8530898
 .lb (kg)	12,668 lbs. (5,746 kg)

 .lb (kg)	5,000 lbs. (2,268 kg)
--	--------------------------



8530887	8530898
 .lb (kg)	2,668 lbs. (1,210 kg)

8530887	8530898
 .lb (kg)	12,668 lbs. (5,746 kg)



Основа за подов монтаж M200

ТЕХНИЧЕСКИ ЛИСТ С ДАННИ: 8530888



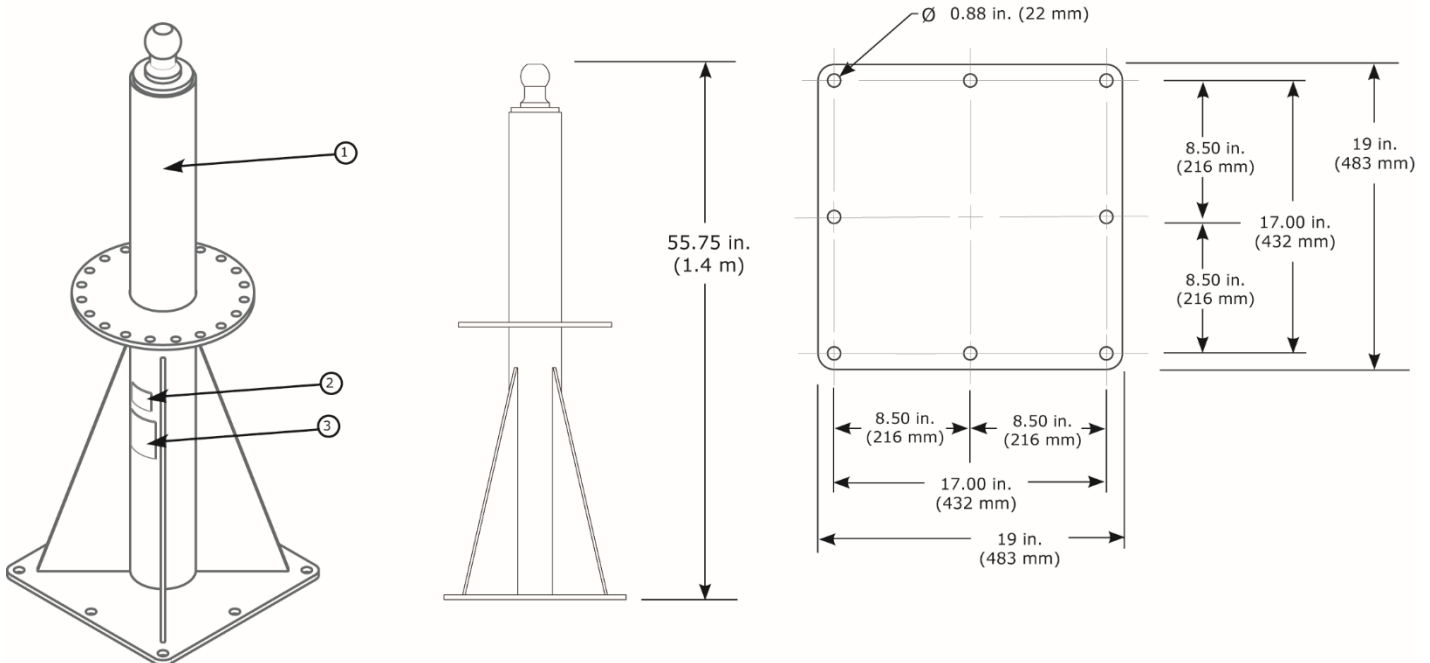
ПРИЛОЖЕНИЕ:

Основата за давит е проектирана да се използва като монтажна точка за системата на давит.

За повече информация относно инсталирането на продукта, вижте инструкциите за употреба.

Стандарти: CEN/TS 16415:2013 Тип А, EN795:2012 Тип А, OSHA 1910.140, OSHA 1926.502

	Тегло
8530888	265 lb. (120 kg)



Списък с компоненти				
	Номер на част	Описание	Материал	Количество
1	8549921	Основна заварка	Стомана	1
2	9514429	Идентификационен етикет	Полиестер	1
3	9515114	Потребителски етикет	Полиестер	1

Изисквания за монтаж		
Минимална сила на изтегляне на крепежния елемент	Минимално моментно натоварване на монтажната структура	Минимално вертикално натоварване на монтажната структура
9,386 lb. (4,257 kg)	501,633 in-lb. (56,677 N-m)	3,320 lb. (1,506 kg) + Тегло на основата + Тегло на стрелата M200

Основа за вграден монтаж M200
ТЕХНИЧЕСКИ ЛИСТ С ДАННИ: 8530889, 8530920, 8530921



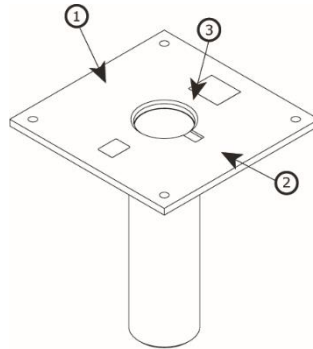
ПРИЛОЖЕНИЕ:

Основата за давит е проектирана да се използва като монтажна точка за системата на давит.

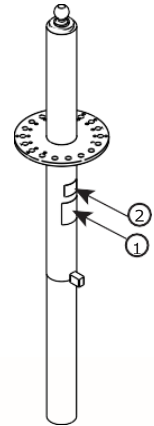
За повече информация относно инсталирането на продукта, вижте инструкциите за употреба.

Стандарти: CEN/TS 16415:2013, EN795:2012 Тип А, OSHA 1910.140, OSHA 1926.502

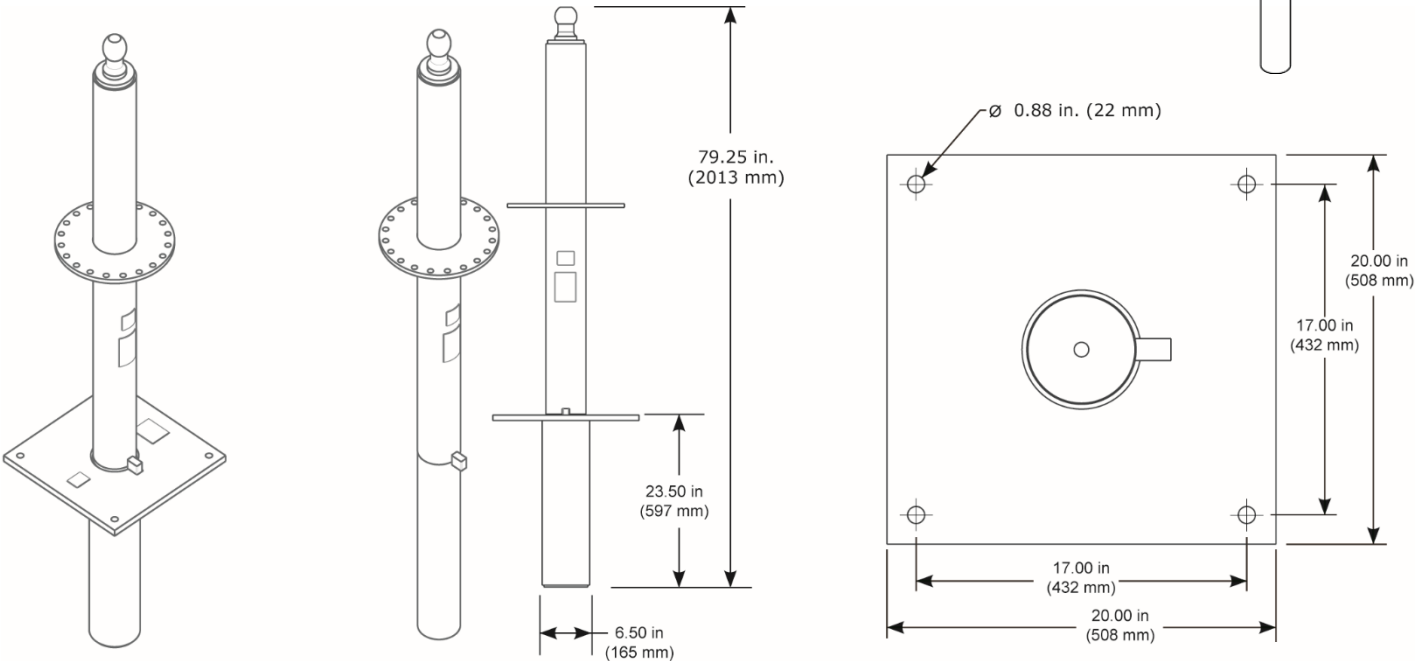
	Тегло
8530920	140 lb. (64 kg)



	Тегло
8530921	237 lb. (107 kg)



	Тегло
8530889	377 lb. (171 kg)

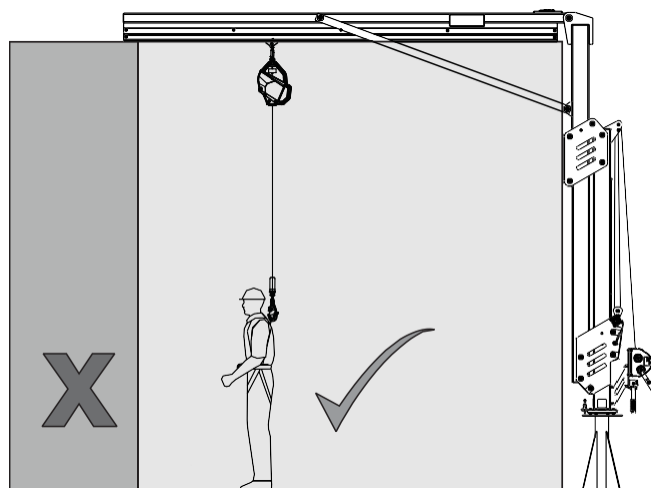
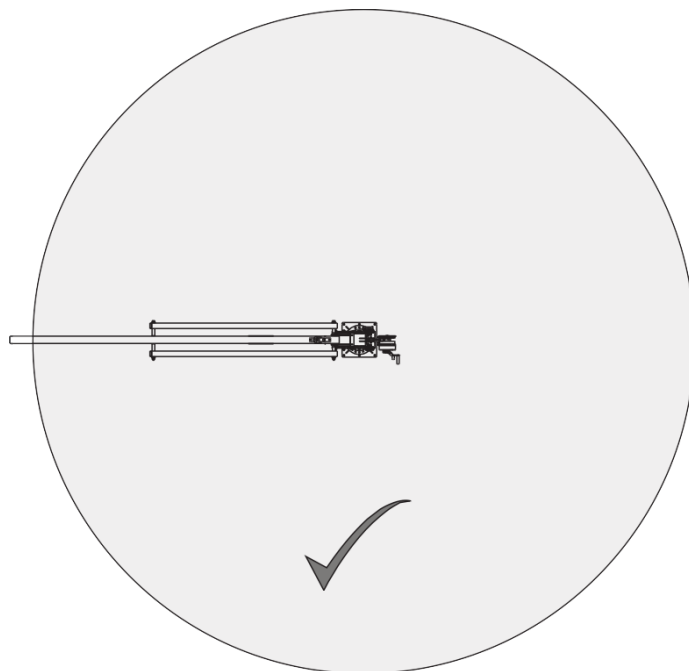


Списък с компоненти				
	Номер на част	Описание	Материал	Количество
1	9515114	Потребителски етикет	Полиестер	1
2	9514429	Идентификационен етикет	Полиестер	1
3	8550165	Капачка на основата	Алуминий, Гума	1

Изисквания за монтаж	
Минимално моментно натоварване на монтажната структура	Минимално вертикално натоварване на монтажната структура
501,633 in-lb. (56,677 N-m)	3,320 lb. (1,506 kg) + Тегло на основата + Тегло на стрелата M200

ПРИЛОЖЕНИЕ:

Вижте диаграмата по-долу за работната зона на продукта.



Комплект за джобове за вилицы

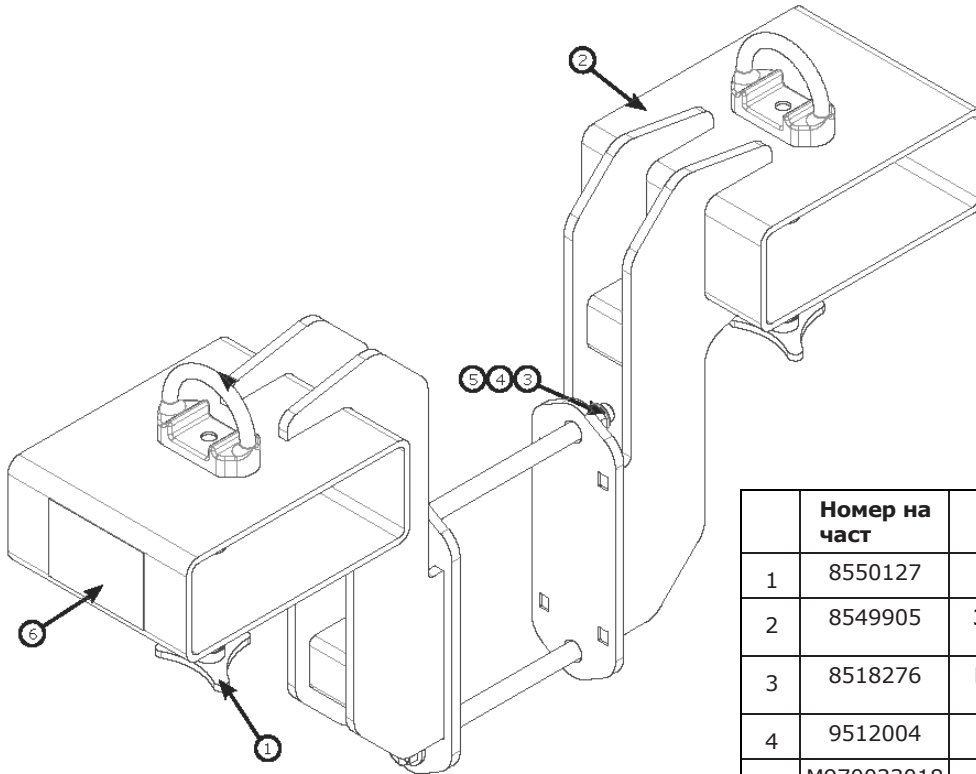
ТЕХНИЧЕСКИ ЛИСТ С ДАННИ: 8530912



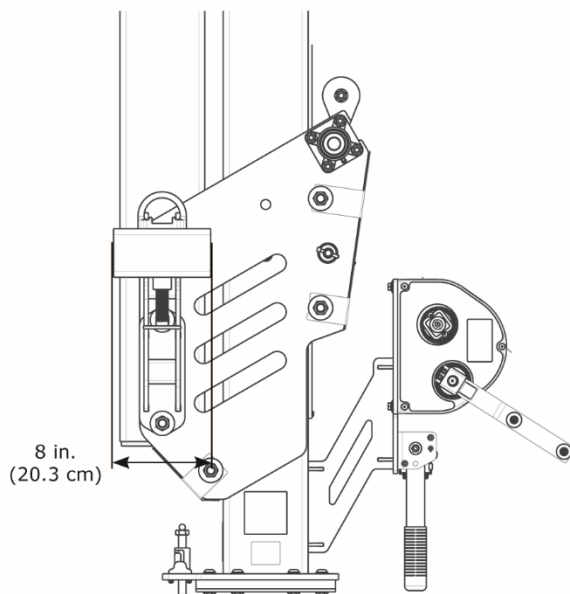
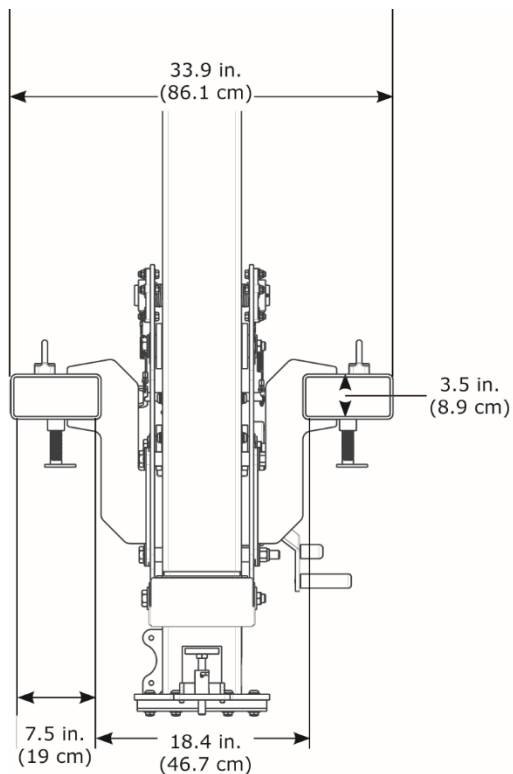
ПРИЛОЖЕНИЕ:

Този модел на комплект за джобове за вилицы е проектиран за транспортиране на моделите давити с лебедка 8530891-8530898.

За повече информация относно инсталирането на компонентите, вижте инструкциите за употреба.



	Номер на част	Компонент	Количество
1	8550127	Три-винт	2
2	8549905	Заварка за джоб за вилица	2
3	8518276	Шестоъгълна гайка 3/4"	2
4	9512004	Болт 3/4" x 12"	2
5	M970033018	Шайба 3/4"	4
6	9515122	Потребителски етикет	1
	9500146	Връзка за верига	2
	8517096	Верига	10 ft.



Комплект за джобове за вилицы

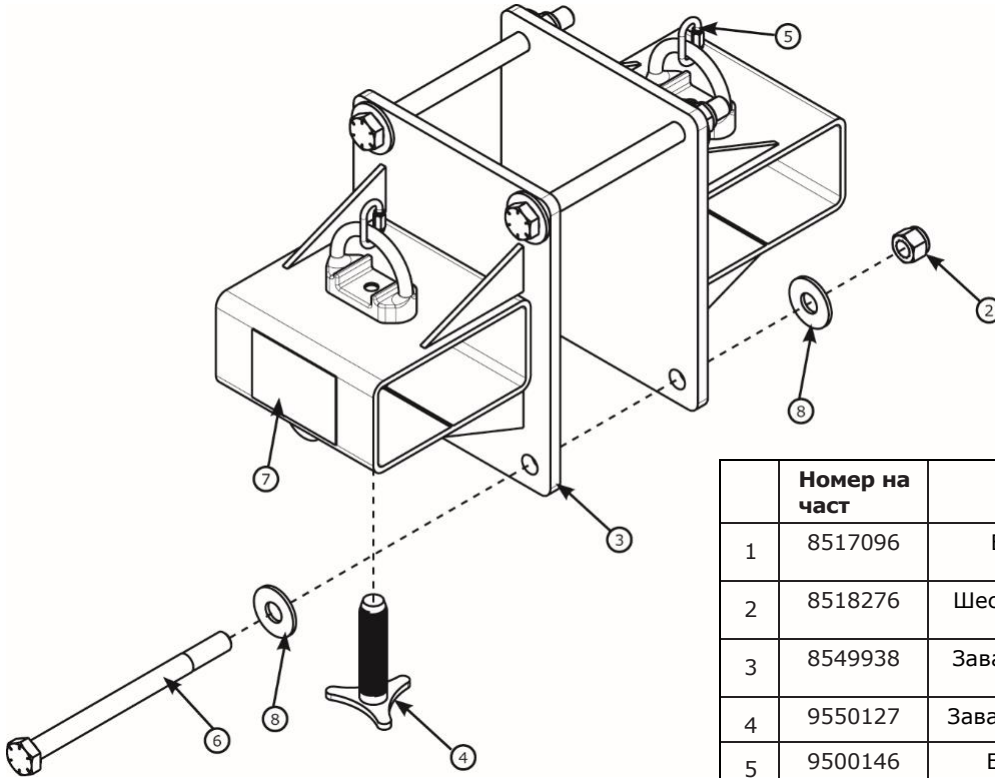
ТЕХНИЧЕСКИ ЛИСТ С ДАННИ: 8530925



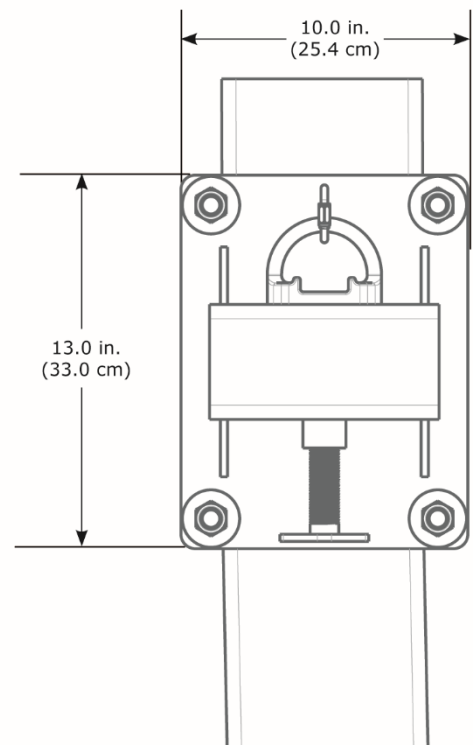
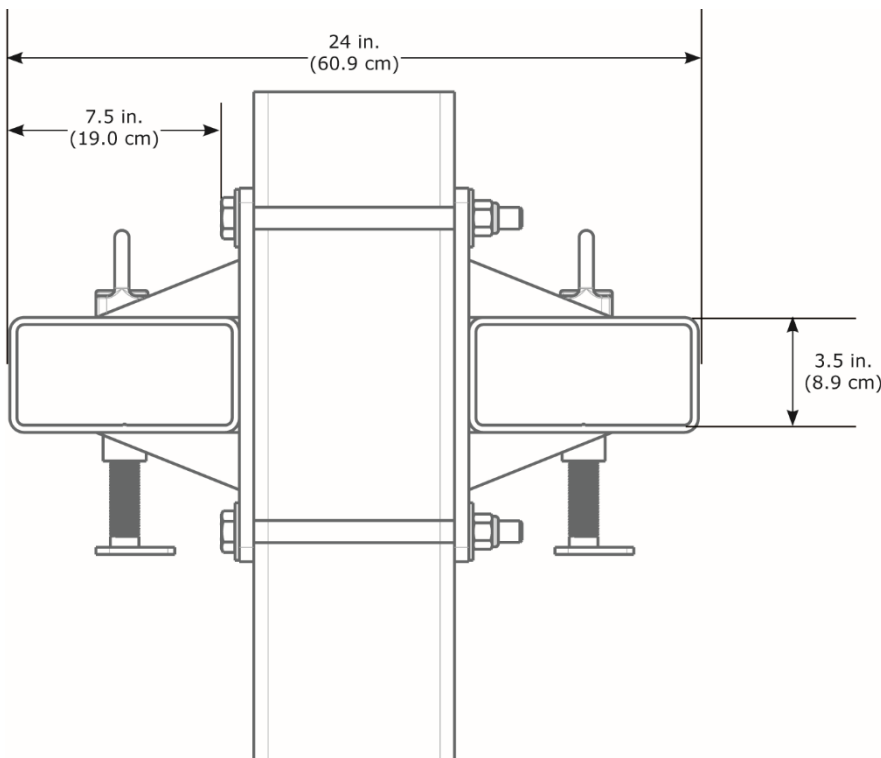
ПРИЛОЖЕНИЕ:

Този модел на комплект за джобове за вилицы е проектиран за транспортиране на давята с модели на регулиращ канал 8530899–8530904.

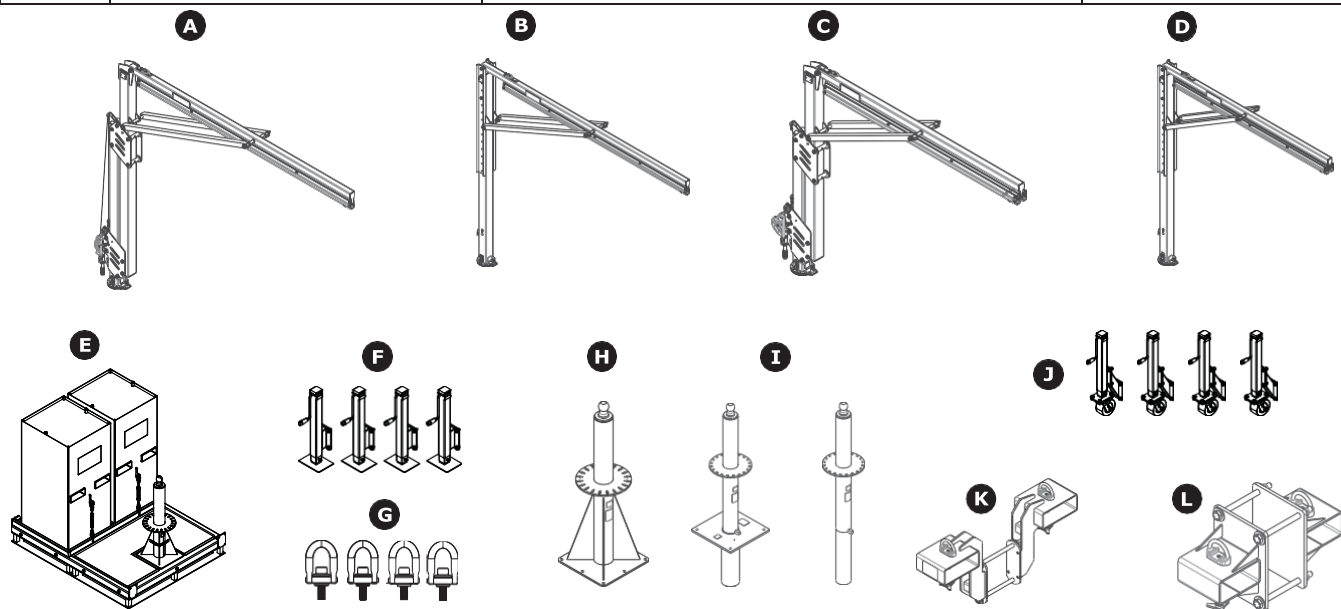
За повече информация относно инсталирането на компонентите, вижте инструкциите за употреба.



	Номер на част	Компонент	Количество
1	8517096	Верига (не е показана)	10 ft.
2	8518276	Шестоъгълна гайка 3/4"	4
3	8549938	Заварка за джоб за вилицы	2
4	9550127	Заварка за три-винт	2
5	9500146	Бърза връзка	2
6	9514294	Болт с шестоъгълна глава 3/4"	4
7	9515573	Предупредителен етикет	1
8	M970033018	Шайба 3/4"	8



Výzva	Technický list	Popis	Stránka
A	8530891	12,3 ft. – 15 ft. (3,8 m – 4,6 m) Nastavitelný výložník	38
	8530892	14,8 ft. – 20 ft. (4,5 m – 6,1 m) Nastavitelný výložník	38
	8530893	17,3 ft. – 25 ft. (5,3 m – 7,6 m) Nastavitelný výložník	38
	8530894	19,8 ft. – 30 ft. (6,1 m – 9,1 m) Nastavitelný výložník	38
B	8530899	15 ft. – 20 ft. (4,6 m – 6,1 m) Polopevný výložník	40
	8530900	20 ft. – 25 ft. (6,1 m – 7,6 m) Polopevný výložník	40
	8530901	25 ft. – 30 ft. (7,6 m – 9,1 m) Polopevný výložník	40
C	8530895	12,3 ft. – 15 ft. (3,8 m – 4,6 m) Nastavitelný výložník	42
	8530896	14,8 ft. – 20 ft. (4,5 m – 6,1 m) Nastavitelný výložník	42
	8530897	17,3 ft. – 25 ft. (5,3 m – 7,6 m) Nastavitelný výložník	42
	8530898	19,8 ft. – 30 ft. (6,1 m – 9,1 m) Nastavitelný výložník	42
D	8530902	15 ft. – 20 ft. (4,6 m – 6,1 m) Polopevný výložník	44
	8530903	20 ft. – 25 ft. (6,1 m – 7,6 m) Polopevný výložník	44
	8530904	25 ft. – 30 ft. (7,6 m – 9,1 m) Polopevný výložník	44
E	8530886	Nevyplněná základna protizávaží	46
	8530887	Vyplněná základna protizávaží	46
F	8530907	Zvedáky základny protizávaží	48
G	8530777	Zvedací kroužky základny protizávaží	48
H	8530888	Podlahová montážní základna	50
I	8530889, 8530920, 8530921	Zapuštěná montážní základna	51
J	8530908	Kola základny protizávaží	48
K	8530912	Sada kapes pro vidlice	53
L	8530925	Sada kapes pro vidlice	54



Modulární nastavitelný výložník

TECHNICKÝ LIST: 8530891-8530894

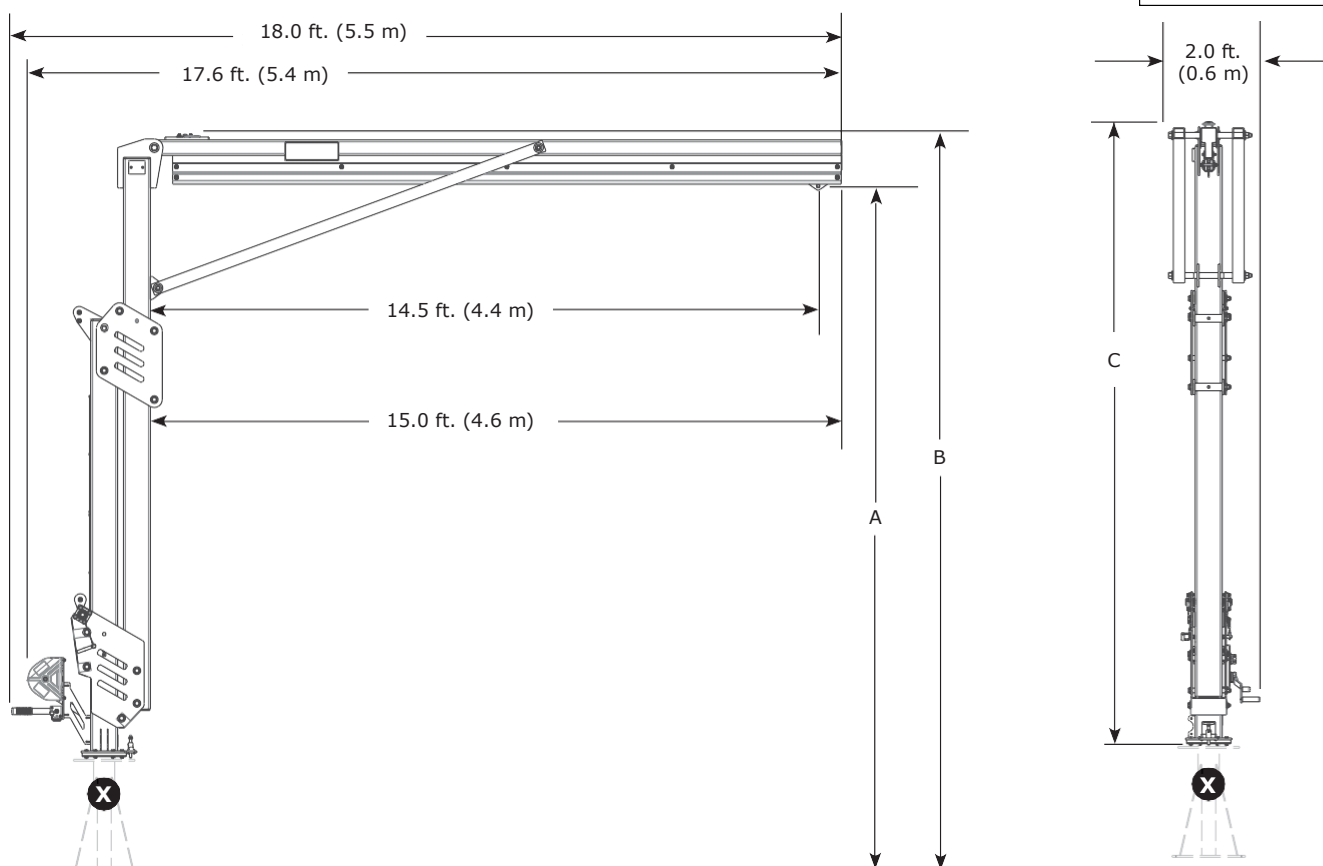
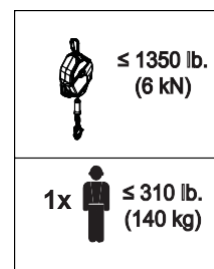


APLIKACE:

Modulární výložník je navržen tak, aby poskytoval kotevní body pro systém ochrany proti pádu.

Pro více informací o instalaci produktu se podívejte do návodu k použití 3M 5908372.

Normy: EN795:2012 Typ E, OSHA 1910.140, OSHA 1926.502



	A	B	C	lb. (kg)
8530891	12.3 ft. – 15.0 ft. (3.8 m – 4.6 m)	13.4 ft. – 16.1 ft. (4.1 m – 4.9 m)	9.8 ft. – 14.8 ft. (3.0 m – 4.5 ft.)	945 lb. (429 kg)
8530892	14.8 ft. – 20.0 ft. (4.5 m – 6.1 m)	15.9 ft. – 21.1 ft. (4.8 m – 6.4 m)	13.5 ft. – 18.7 ft. (4.1 m – 5.7 m)	1,057 lb. (479 kg)
8530893	17.3 ft. – 25.0 ft. (5.3 m – 7.6 m)	18.4 ft. – 26.1 ft. (5.6 m – 8.0 m)	16.0 – 23.7 ft. (4.9 m – 7.2 m)	1,169 lb. (530 kg)
8530894	19.8 ft. – 30.0 ft. (6.0 m – 9.1 m)	20.9 ft. – 31.1 ft. (6.4 m – 9.5 m)	18.5 ft. – 28.7 ft. (5.6 m – 8.7 m)	1,281 lb. (581 kg)

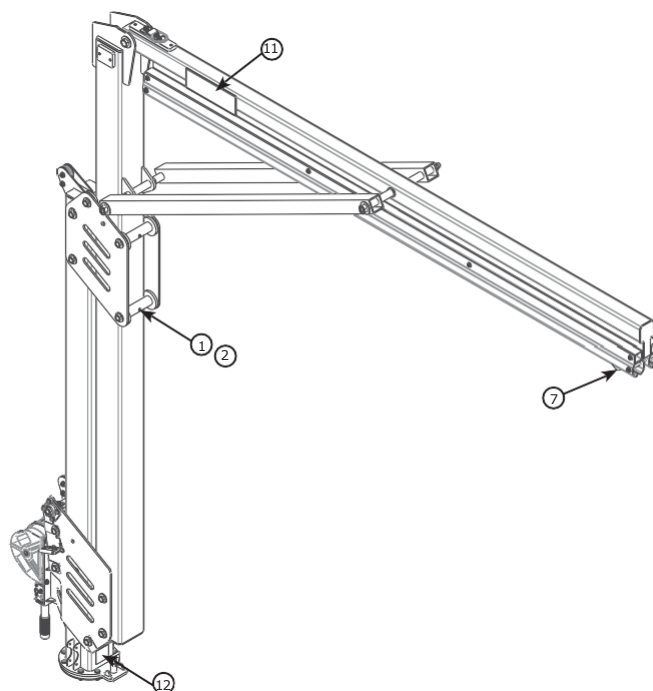
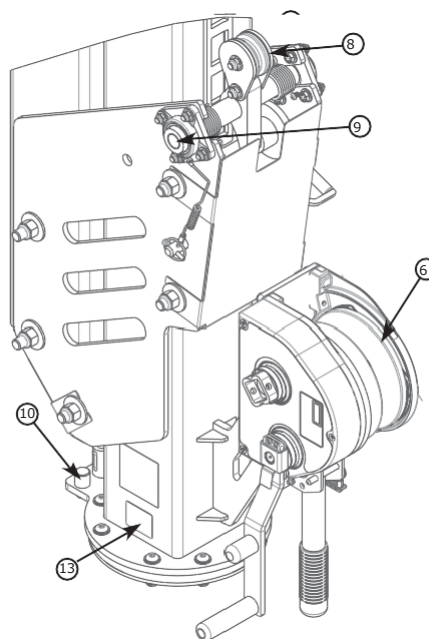
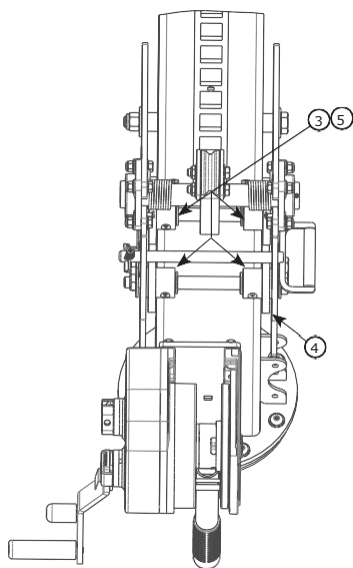
Modulární nastavitelný výložník - komponenty

TECHNICKÝ LIST: 8530891-8530894

3M

DIBI SALA®

Fall Protection



Seznam Komponentů				
	Číslo Dílu	Popis	Materiál	Množství
1	8550046	Široký válec	Nylon	4
2	8550047	Podložka širokého válce	Nerezová ocel 304	4
3	8550327	Úzký válec	Nylon	4
4	9514703	Boční válec	Nylon	12
5	8550213	Podložka úzkého válce	Nerezová ocel 304	4
6	8549930	Naviják	Ocel	1
7	8521711	Vozík	Ocel, Nylon	1

Seznam Komponentů				
	Číslo Dílu	Popis	Materiál	Množství
8	8550223	Zamykací mechanismus (pouze autorizovaná oprava)	Ocel, Nylon	1
9	9515138	Ložiska	Ocel	2
10	8550398	Zarážka otáčení	Hliník	2
11	9515111	3M štítek	Polyester	2
12	9515101	Štítek otáčení	Polyester	1
13	9514429	Identifikační štítek	Polyester	1
14	9515112	Uživatelský štítek	Polyester	1

Modulární polopevný výložník

TECHNICKÝ LIST: 8530899–8530901



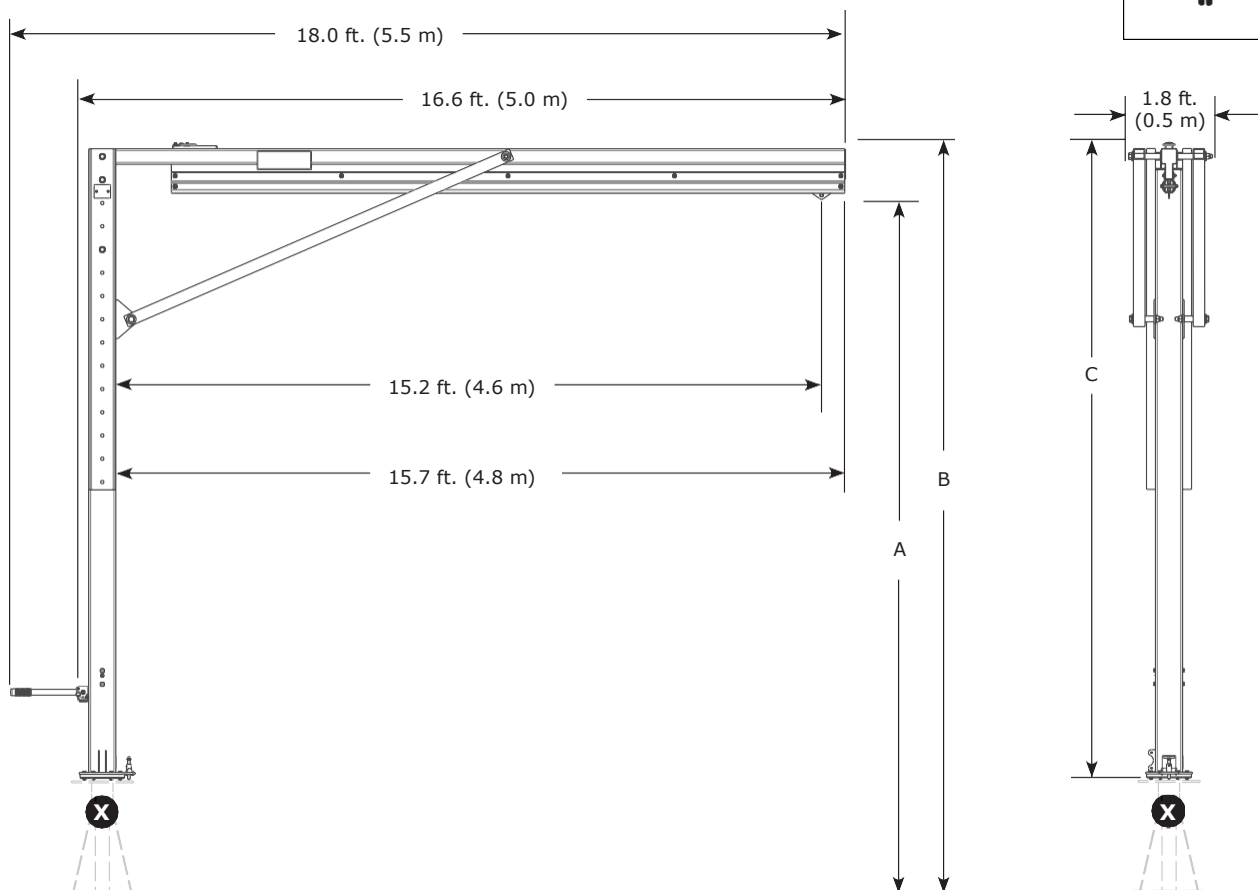
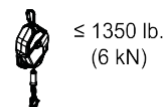
Fall Protection

APLIKACE:

Modulární výložník je navržen tak, aby poskytoval kotevní body pro systém ochrany proti pádu.

Pro více informací o instalaci produktu se podívejte do návodu k použití 3M 5908372.

Normy: EN795:2012 Typ E, OSHA 1910.140, OSHA 1926.502.



	A	B	C	lb. (kg)
8530899	15.0 ft. – 20.0 ft. (4.6 m – 6.1 m)	16.1 ft. – 21.1 ft. (4.9 m – 6.4 m)	13.7 ft. – 18.7 ft. (4.2 m – 5.7 m)	818 lb. (371 kg)
8530900	20.0 ft. – 25.0 ft. (6.1 m – 7.6 m)	21.1 ft. – 26.1 ft. (6.4 m – 7.9 m)	18.7 ft. – 23.7 ft. (5.7 m – 7.2 m)	930 lb. (422 kg)
8530901	25.0 ft. – 30.0 ft. (7.6 m – 9.1 m)	26.1 ft. – 31.1 ft. (7.9 m – 9.6 m)	23.7 ft. – 28.7 ft. (7.2 m – 8.7 m)	1,041 lb. (472 kg)
+6" (152 mm) nastavovací přírůstky				

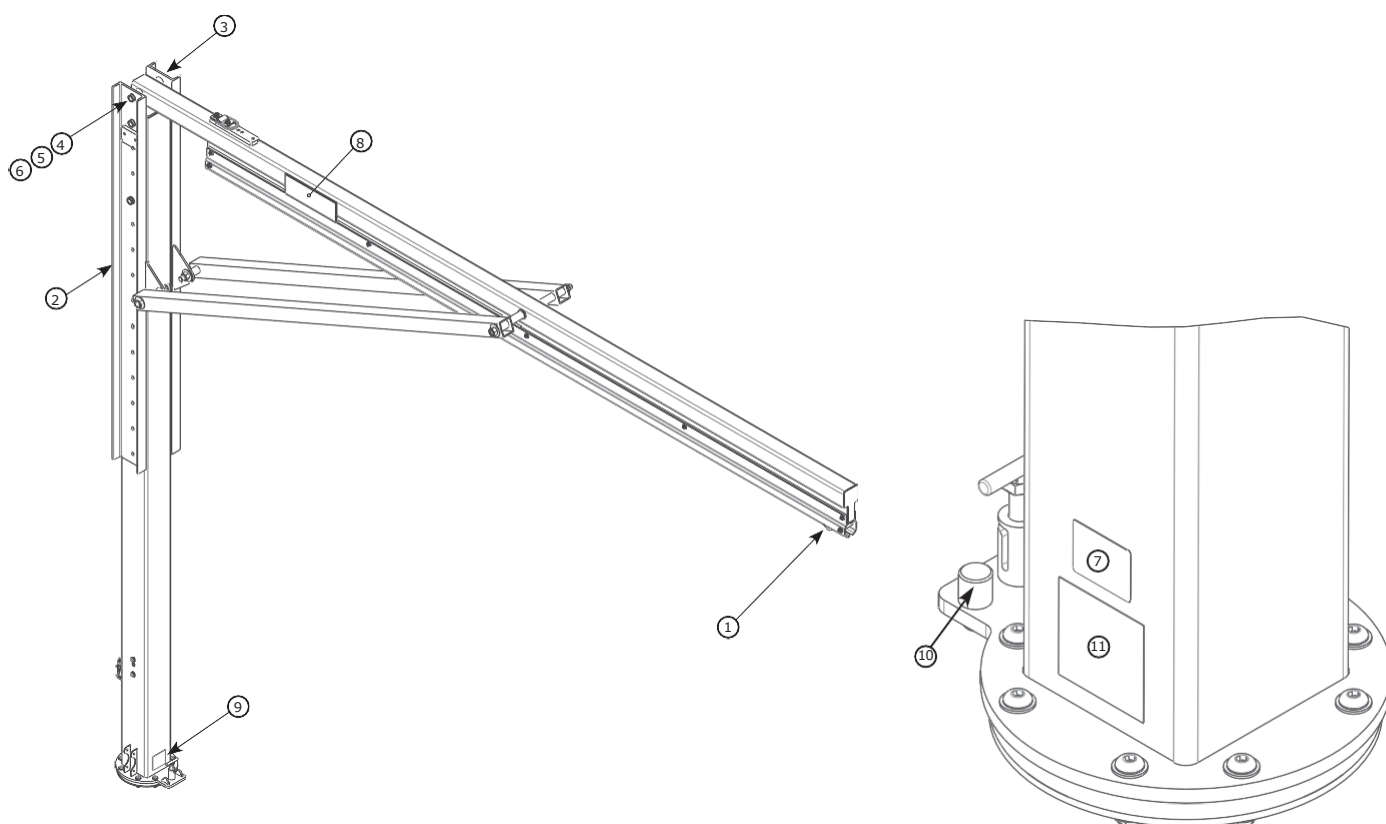
Modulární polopevný výložník - komponenty

TECHNICKÝ LIST: 8530899-8530901

3M

DBI
SALA

Fall Protection



	Číslo Dílu	Popis	Materiál	Množství
1	8521711	Vozík	Nerezová ocel, Ocel, Nylon	1
2	8549933	Záchranný montážní kanál	Ocel	1
3	8550248	Kanál	Ocel	1
4	8526654	Šroub 3/4" x 9"	Ocel	2
5	8522275	Podložka 3/4"	Ocel	4
6	8518276	Matice 3/4"	Ocel	2
7	9514429	Identifikační štítek	Polyester	1

	Číslo Dílu	Popis	Materiál	Množství
8	9515111	3M štítek	Polyester	2
9	9515101	Štítek otáčení	Polyester	1
10	8550398	Zarážka otáčení	Hliník	2
11	9515112	Uživatelský štítek	Polyester	1

Modulární nastavitelný výložník

TECHNICKÝ LIST: 8530895–8530898

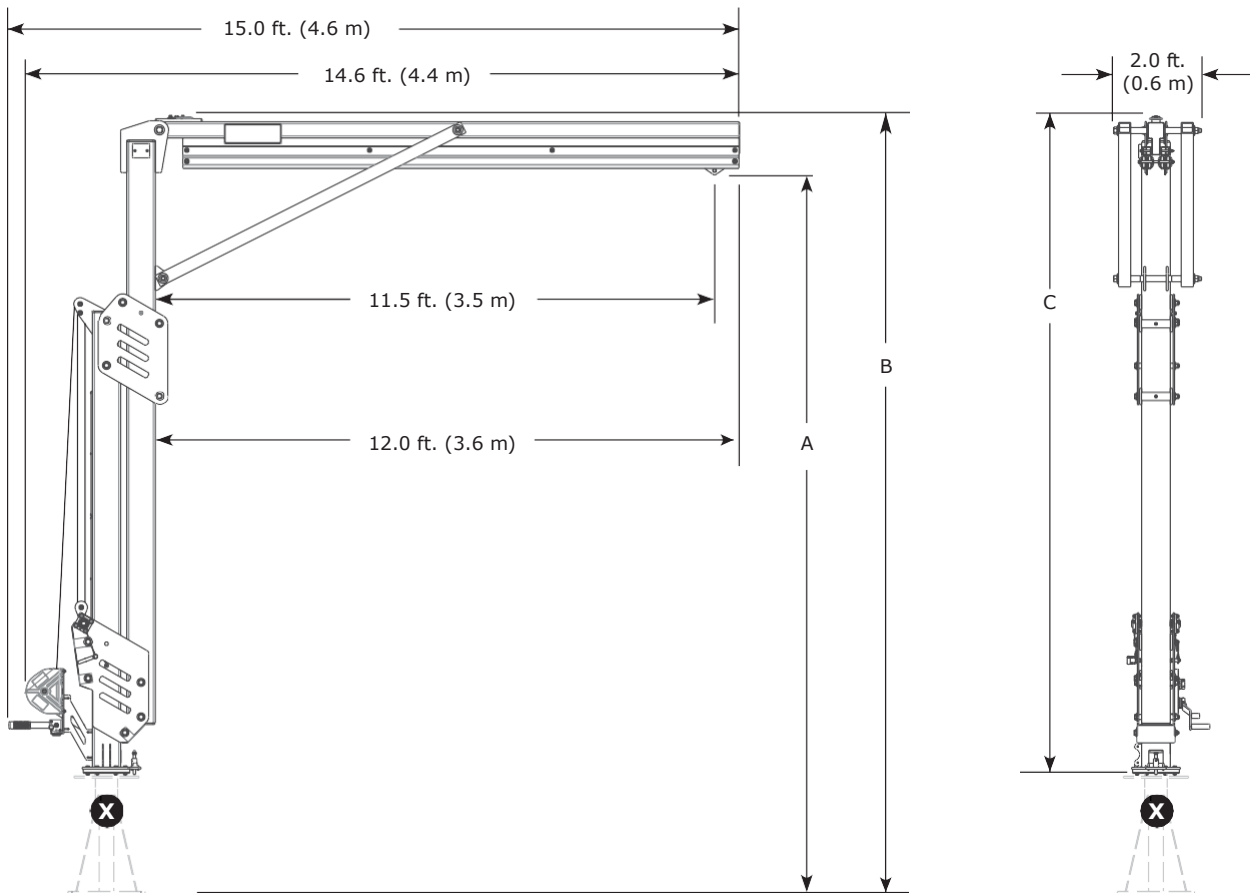
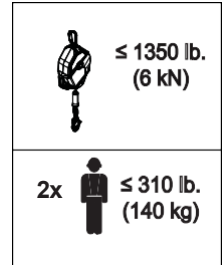


APLIKACE:

Modulární výložník je navržen tak, aby poskytoval kotevní body pro systém ochrany proti pádu.

Pro více informací o instalaci produktu se podívejte do návodu k použití 3M 5908372.

Normy: CEN/TS 16415:2013 Typ E, EN795:2012 Typ E, OSHA 1910.140, OSHA 1926.502



	A	B	C	lb. (kg)
8530895	12.3 ft. – 15.0 ft. (3.8 m – 4.6 m)	13.4 ft. – 16.1 ft. (4.1 m – 4.9 m)	11.0 ft. – 13.7 ft. (3.4 m – 4.2 m)	1,011 lb. (459 kg)
8530896	14.8 ft. – 20.0 ft. (4.5 m – 6.1 m)	15.9 ft. – 21.1 ft. (4.8 m – 6.4 m)	13.5 ft. – 18.7 ft. (4.1 m – 5.7 m)	1,123 lb. (509 kg)
8530897	17.3 ft. – 25.0 ft. (5.3 m – 7.6 m)	18.4 ft. – 26.1 ft. (5.6 m – 8.0 m)	16.0 – 23.7 ft. (4.9 m – 7.2 m)	1,235 lb. (560 kg)
8530898	19.8 ft. – 30.0 ft. (6.0 m – 9.1 m)	20.9 ft. – 31.1 ft. (6.4 m – 9.5 m)	18.5 ft. – 28.7 ft. (5.6 m – 8.7 m)	1,343 lb. (609 kg)

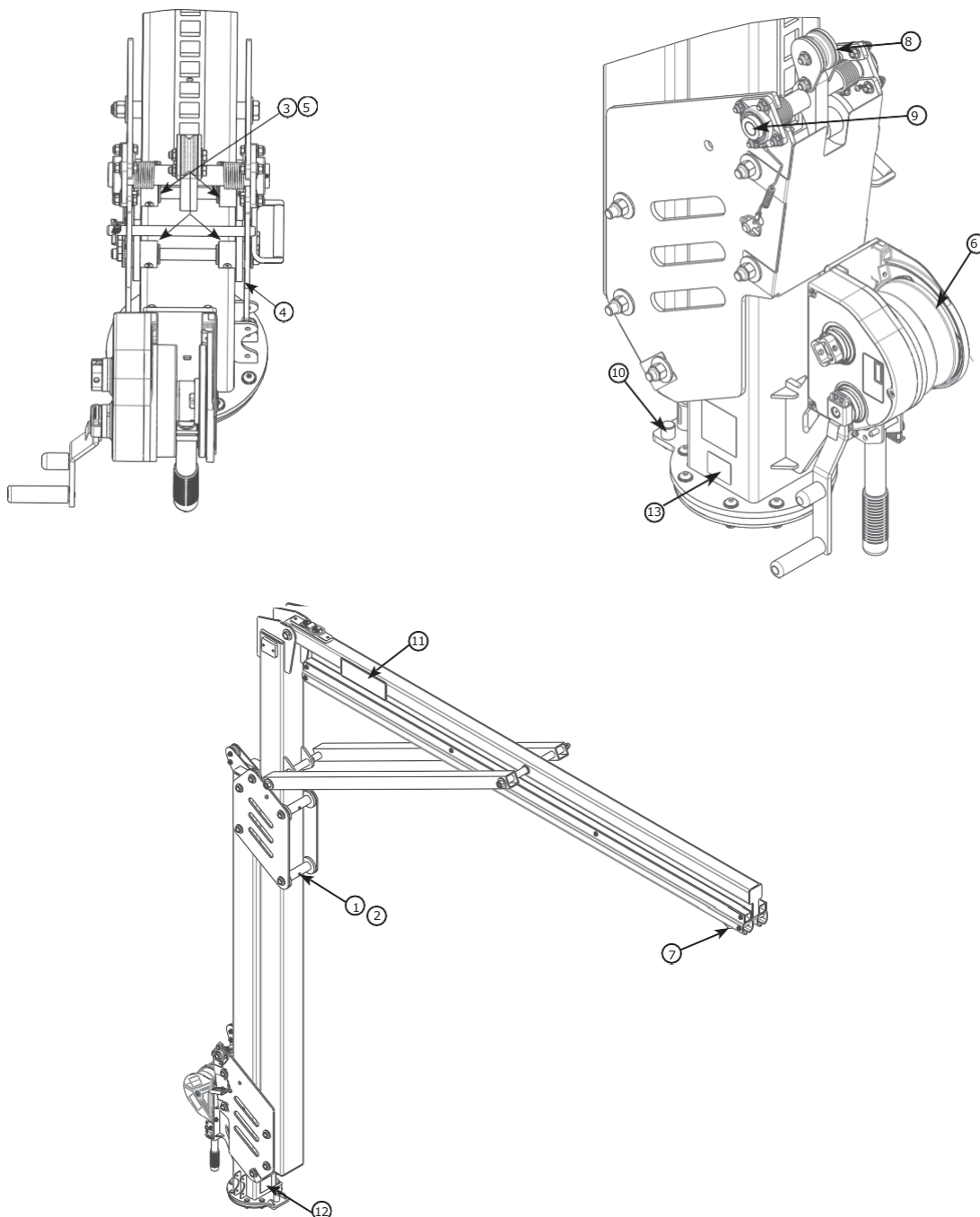
Modulární nastavitelný výložník - komponenty

TECHNICKÝ LIST: 8530895-8530898

3M

**DBI
SALA®**

Fall Protection



Seznam Komponentů				
	Číslo Dílu	Popis	Materiál	Množství
1	8550046	Široký válec	Nylon	4
2	8550047	Podložka širokého válce	Nerezová ocel 304	4
3	8550327	Úzký válec	Nylon	4
4	9514703	Boční válec	Nylon	12
5	8550213	Podložka úzkého válce	Nerezová ocel 304	4
6	8549930	Naviják	Ocel	1
7	8521711	Vozík	Ocel, Nylon	1

Seznam Komponentů				
	Číslo Dílu	Popis	Materiál	Množství
8	8550223	Zamykácí mechanismus (pouze autorizovaná oprava)	Ocel, Nylon	1
9	9515138	Ložiska	Ocel	2
10	8550398	Zarážka otáčení	Hliník	2
11	9515111	3M štítek	Polyester	2
12	9515101	Štítek otáčení	Polyester	1
13	9514429	Identifikační štítek	Polyester	1
14	9515112	Uživatelský štítek	Polyester	1

Modulární polopevný výložník

TECHNICKÝ LIST: 8530902–8530904



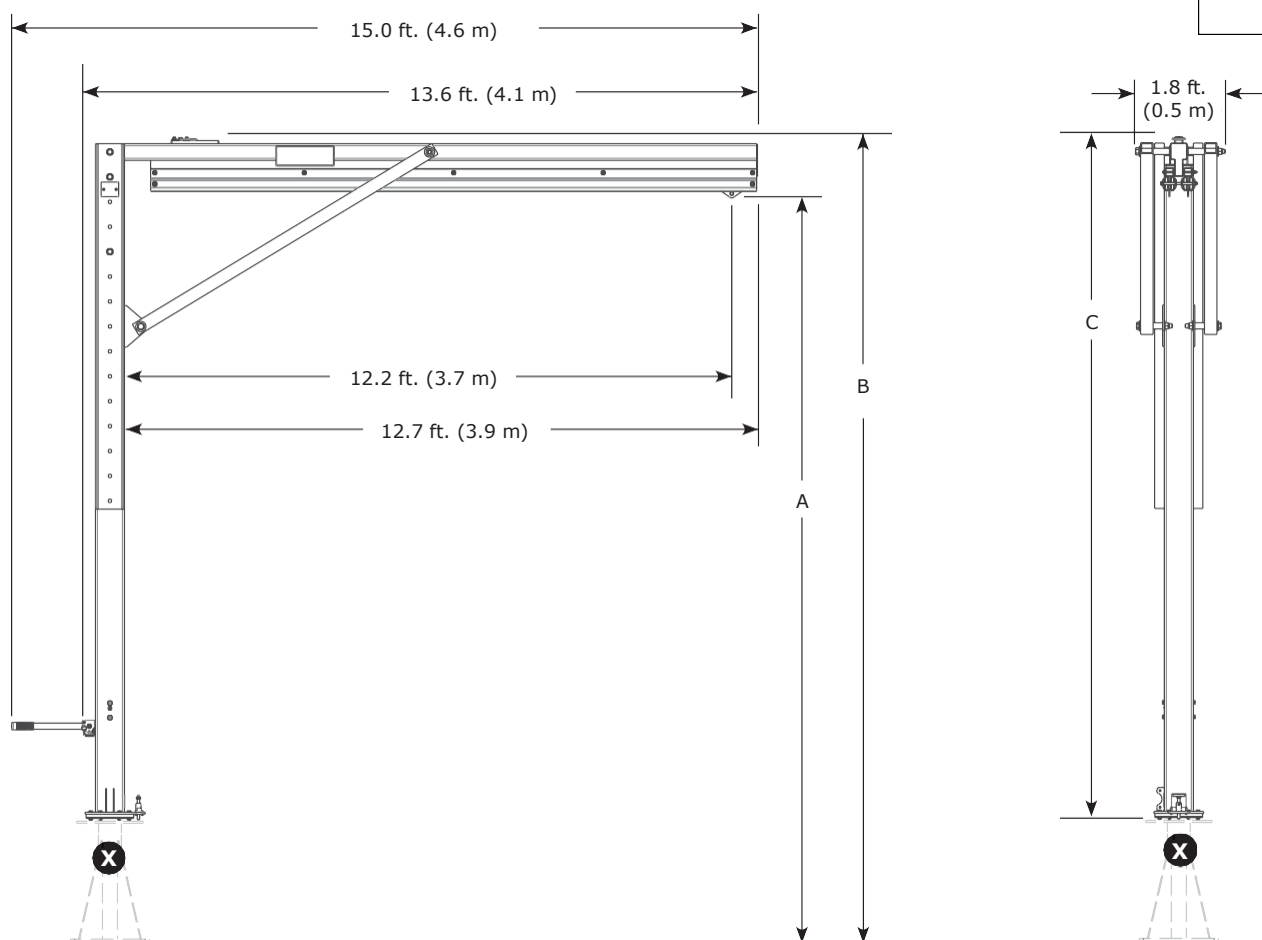
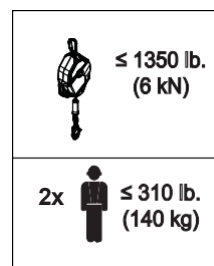
Fall Protection

APLIKACE:

Modulární výložník je navržen tak, aby poskytoval kotevní body pro systém ochrany proti pádu.

Pro více informací o instalaci produktu se podívejte do návodu k použití 3M 5908372.

Normy: CEN/TS 16415:2013 Typ E, EN795:2012 Typ E, OSHA 1910.140, OSHA 1926.502.



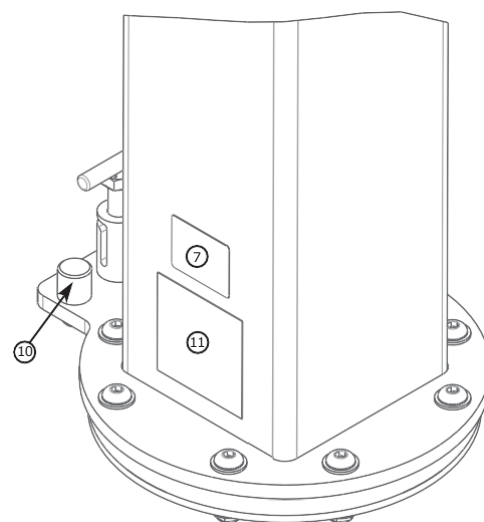
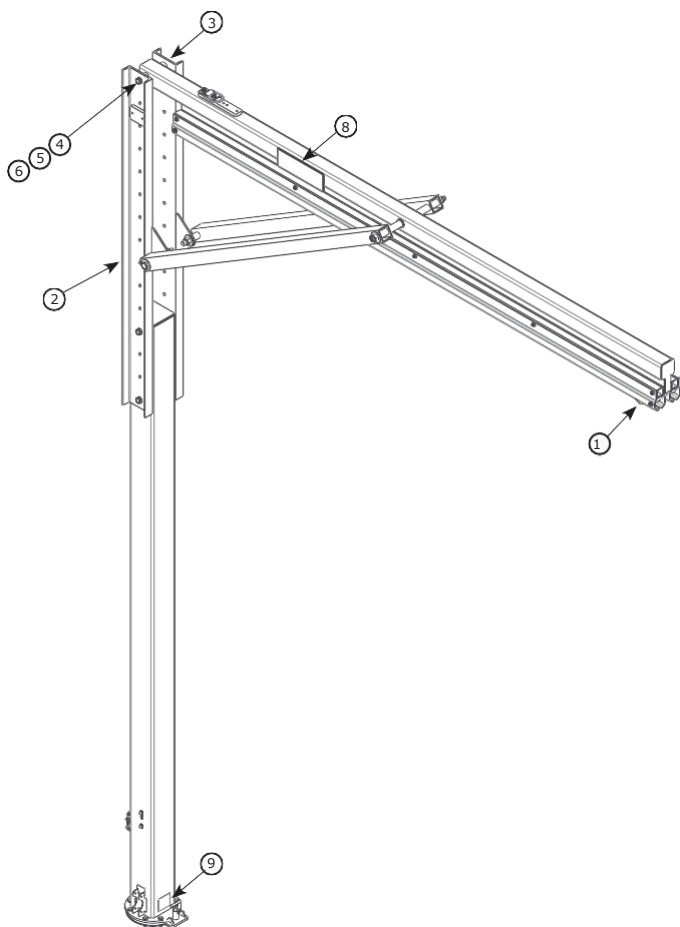
	A	B	C	lb. (kg)
8530902	15.0 ft. – 20.0 ft. (4.6 m – 6.1 m)	16.1 ft. – 21.1 ft. (4.9 m – 6.4 m)	13.7 ft. – 18.7 ft. (4.2 m – 5.7 m)	850 lb. (386 kg)
8530903	20.0 ft. – 25.0 ft. (6.1 m – 7.6 m)	21.1 ft. – 26.1 ft. (6.4 m – 7.9 m)	18.7 ft. – 23.7 ft. (5.7 m – 7.2 m)	961 lb. (436 kg)
8530904	25.0 ft. – 30.0 ft. (7.6 m – 9.1 m)	26.1 ft. – 31.1 ft. (7.9 m – 9.6 m)	23.7 ft. – 28.7 ft. (7.2 m – 8.7 m)	1,073 lb. (487 kg)

Modulární polopevný výložník - komponenty

TECHNICKÝ LIST: 8530902-8530904



Fall Protection



	Číslo Dílu	Popis	Materiál	Množství
1	8521711	Vozík	Nerezová ocel, Ocel, Nylon	1
2	8549933	Záchranný montážní kanál	Ocel	1
3	8550248	Kanál	Ocel	1
4	8526654	Šroub 3/4" x 9"	Ocel	2
5	8522275	Podložka 3/4"	Ocel	4
6	8518276	Matice 3/4"	Ocel	2
7	9514429	Identifikační štítek	Polyester	1

	Číslo Dílu	Popis	Materiál	Množství
8	9515111	3M štítek	Polyester	2
9	9515101	Štítek otáčení	Polyester	1
10	8550398	Zarážka otáčení	Hliník	2
11	9515112	Uživatelský štítek	Polyester	1

Základna protizávaží M200

TECHNICKÝ LIST: 8530886, 8530887



APLIKACE:

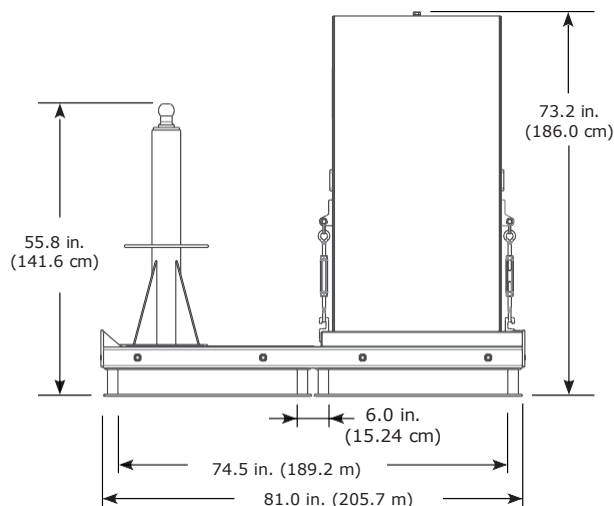
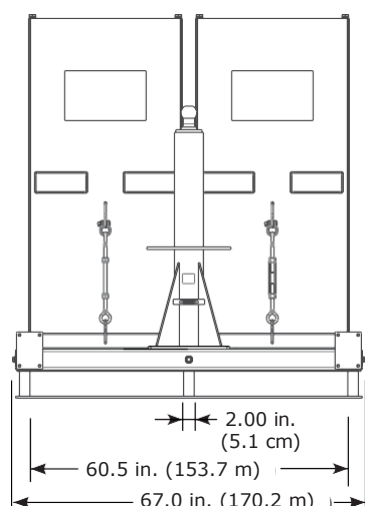
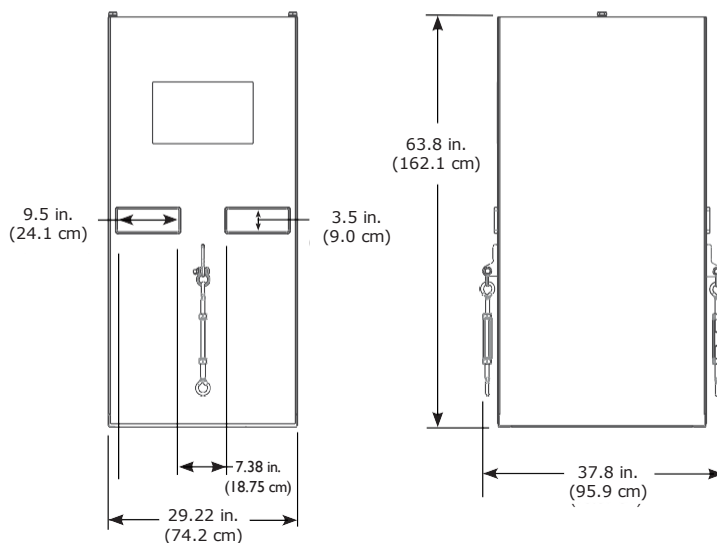
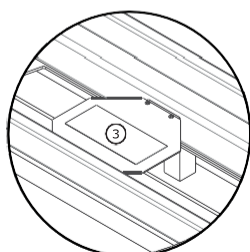
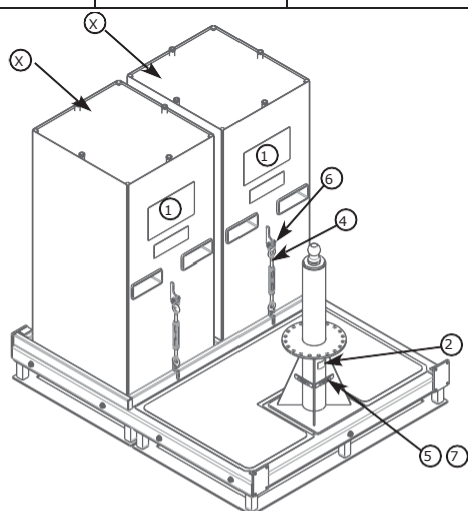
Základna protizávaží je navržena tak, aby byla vyplněna betonem a použita jako montážní bod pro modulární výložníkový systém 3M™ DBI-SALA® Flexiguard™.

Pro více informací o instalaci produktu se podívejte do návodu k použití 3M 5908374.

Normy: CEN/TS 16415:2013 Typ E, EN795:2012 Typ E, OSHA 1910.140, OSHA 1926.502

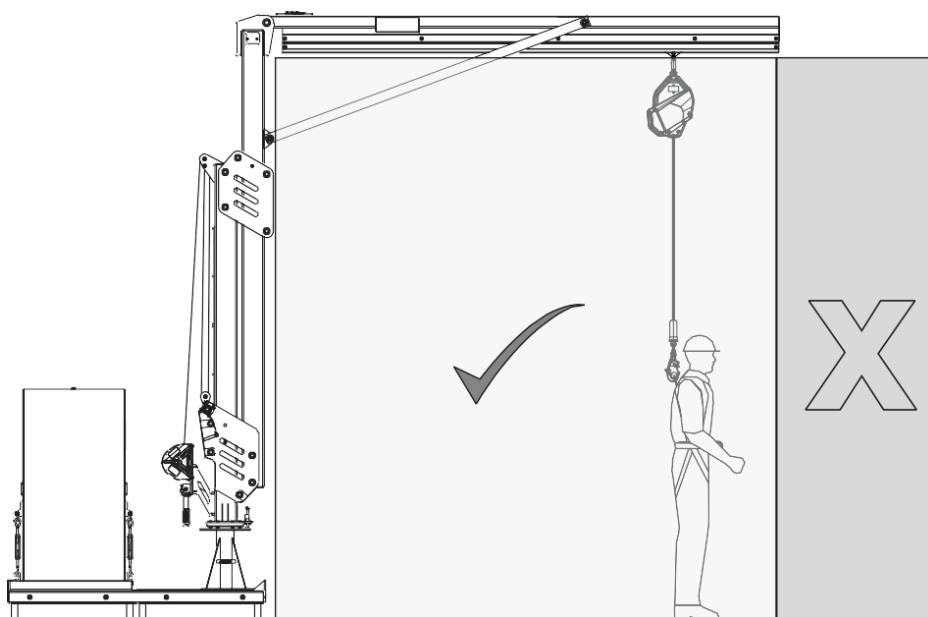
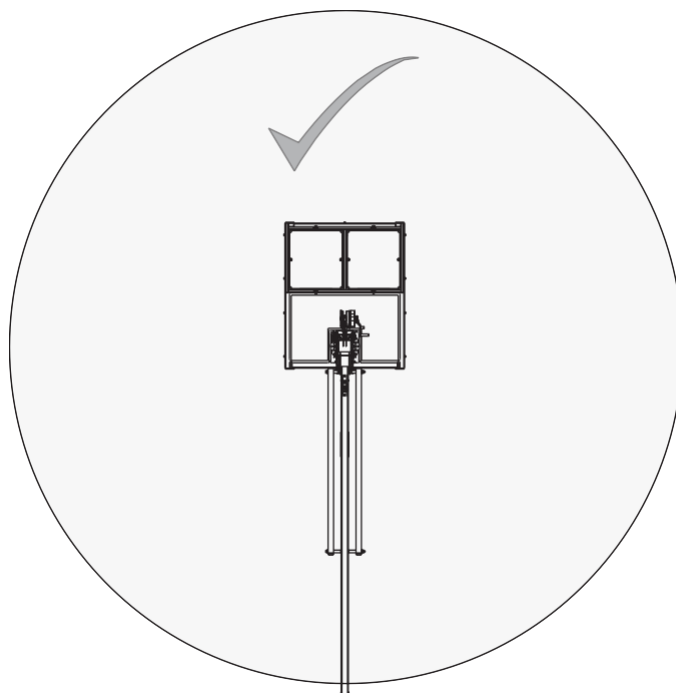
	X 4,000 psi (30 MPa)	Požadavky na podpůrnou strukturu	Čistá hmotnost
8530886		14,645 lb. (6,643 kg)	2,407 lb. (1,092 kg)
8530887	✓	+ Hmotnost výložníku M200	11,325 lb. (5,137 kg)

Seznam Komponentů				
	Číslo Dílu	Popis	Materiál	Množství
1	9515107	Uživatelský štítek	Polyester	1
2	9514429	Identifikační štítek	Polyester	1
3	9515106	Varovný štítek	Polyester	1
4	8520575	Napínák	Ocel	2
5	9513627	Šroub #4	Ocel	4
6	9501794	Třmen	Ocel	2
7	9515058	Vodováha	Plast	2
8	9515566	Varovný štítek	Polyester	4



APLIKACE:

Podívejte se na diagram níže pro pracovní oblast produktu.



Příslušenství základny protizávaží M200

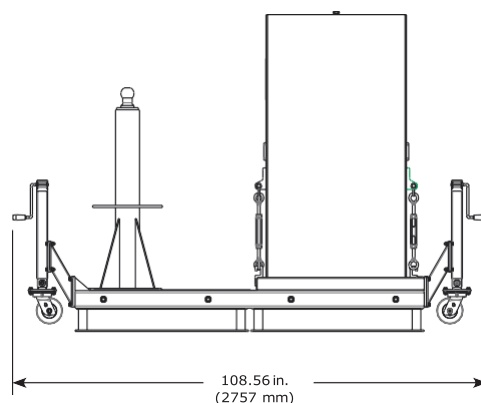
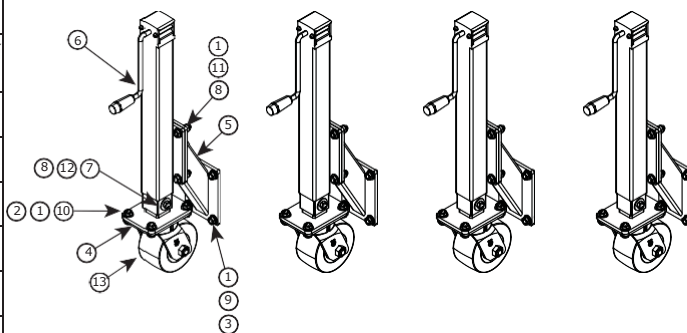
TECHNICKÝ LIST: 8530907, 8530908, 8530777



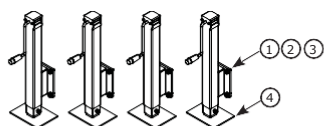
Fall Protection

Hmotnost	
8530908	152 lb. (69 kg)

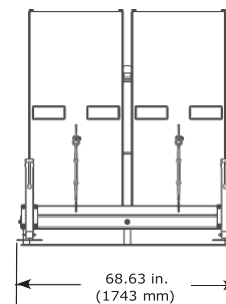
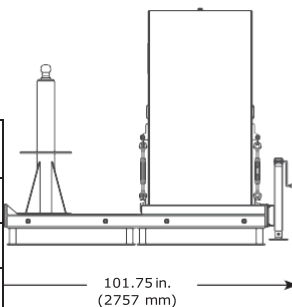
Seznam Komponentů				
	Číslo Dílu	Popis	Materiál	Množství
①	8510037	Podložka 1/2"	Ocel	80
②	8512460	Šroub 1/2" x 1 1/4"	Ocel	16
③	8518432	Šroub 1/2" x 1"	Ocel	16
④	8550153	Svařenec kola	Ocel	4
⑤	8550155	Úhlový svařenec	Ocel	4
⑥	8550156	Montovaný svařenec	Ocel	4
⑦	9501243	Podložka 1/2"	Ocel	8
⑧	9501831	Šestihranná matice 1/2"	Ocel	20
⑨	9504221	Podložka 1/2"	Ocel	16
⑩	9504813	Šestihranná matice 1/2"	Ocel	16
⑪	9509276	Šroub 1/2" x 1 3/4"	Ocel	16
⑫	9510153	Šroub 1/2" x 3 1/4"	Ocel	4
⑬	9515081	Otočné kolo	Ocel, Uretan	4



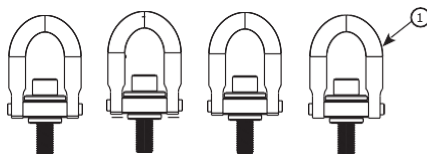
Hmotnost	
8530907	108 lb. (49 kg)



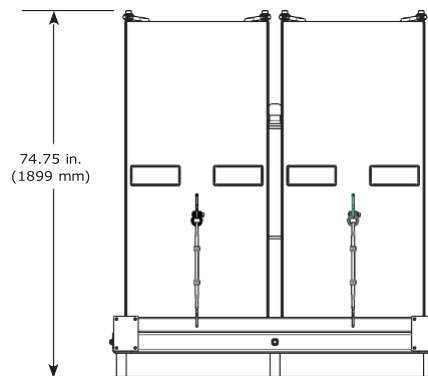
	Číslo Dílu	Popis	Materiál	Množství
○	1	Pojistná podložka 1/2"	Ocel	16
○	2	Podložka 1/2"	Ocel	16
○	3	Šroub 1/2" x 1"	Ocel	16
○	4	Svařenec kola	Ocel	4



Hmotnost	
8530777	12 lb. (5.4 kg)




Seznam Komponentů				
	Číslo Dílu	Popis	Materiál	Množství
①	9512574	Zvedací kroužek	Ocel	4

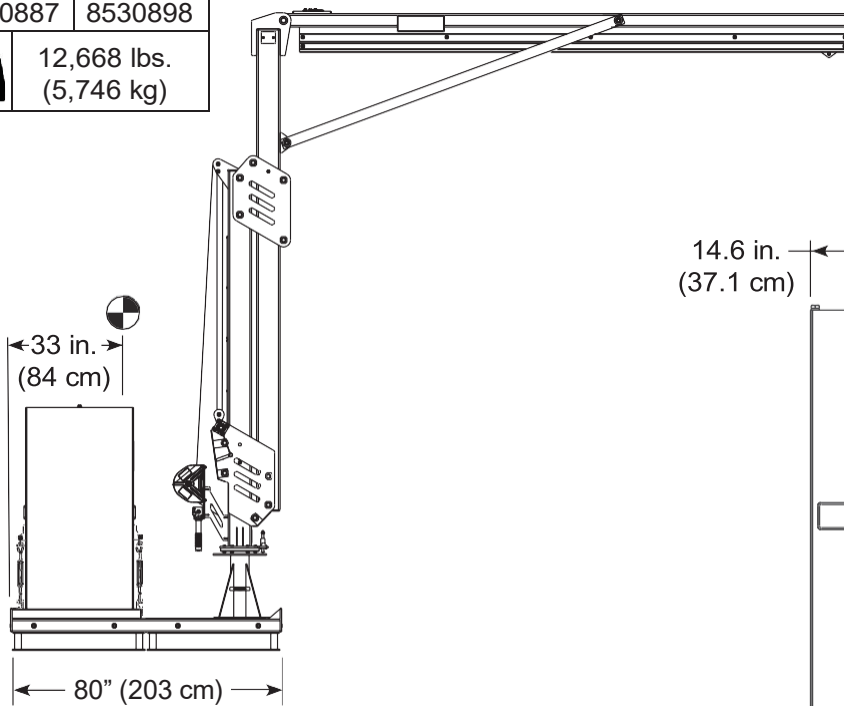



Těžiště základny protizávaží M200

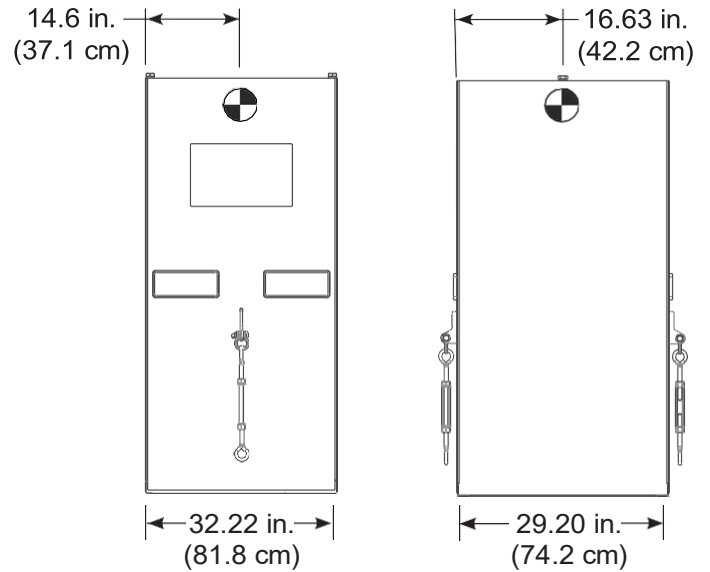
TECHNICKÝ LIST: 8530886, 8530887




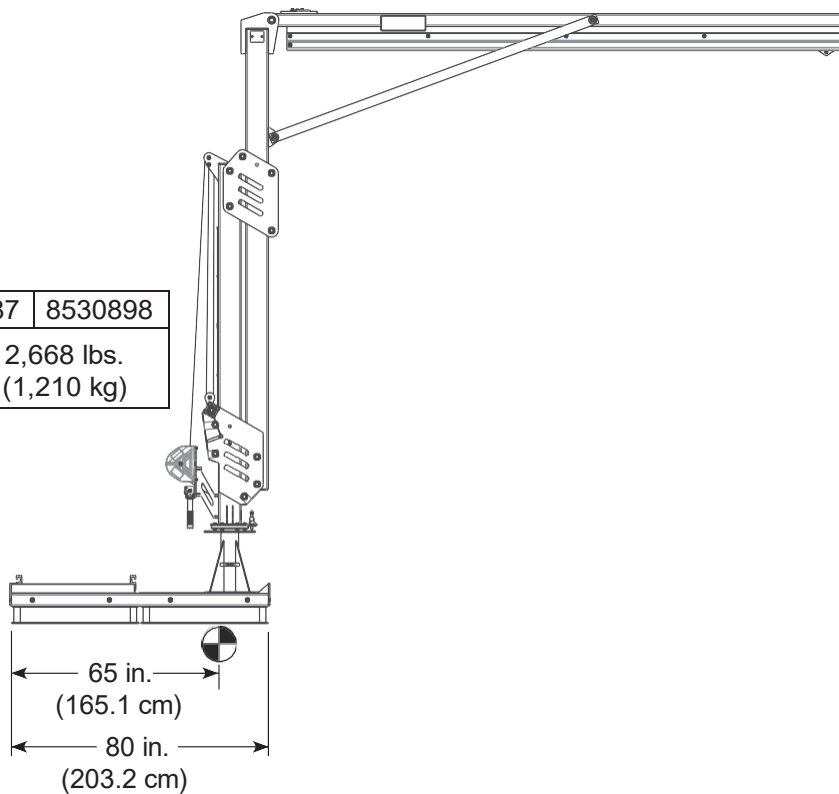
8530887	8530898
 12,668 lbs. (5,746 kg)	




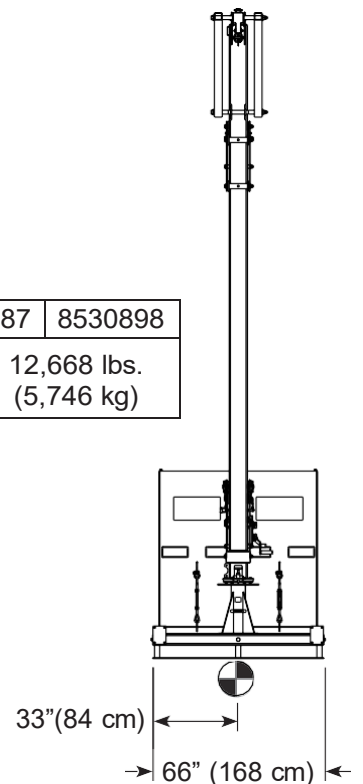
 5,000 lbs. (2,268 kg)
--



8530887	8530898
 2,668 lbs. (1,210 kg)	



8530887	8530898
 12,668 lbs. (5,746 kg)	



Podlahová montážní základna M200

TECHNICKÝ LIST: 8530888



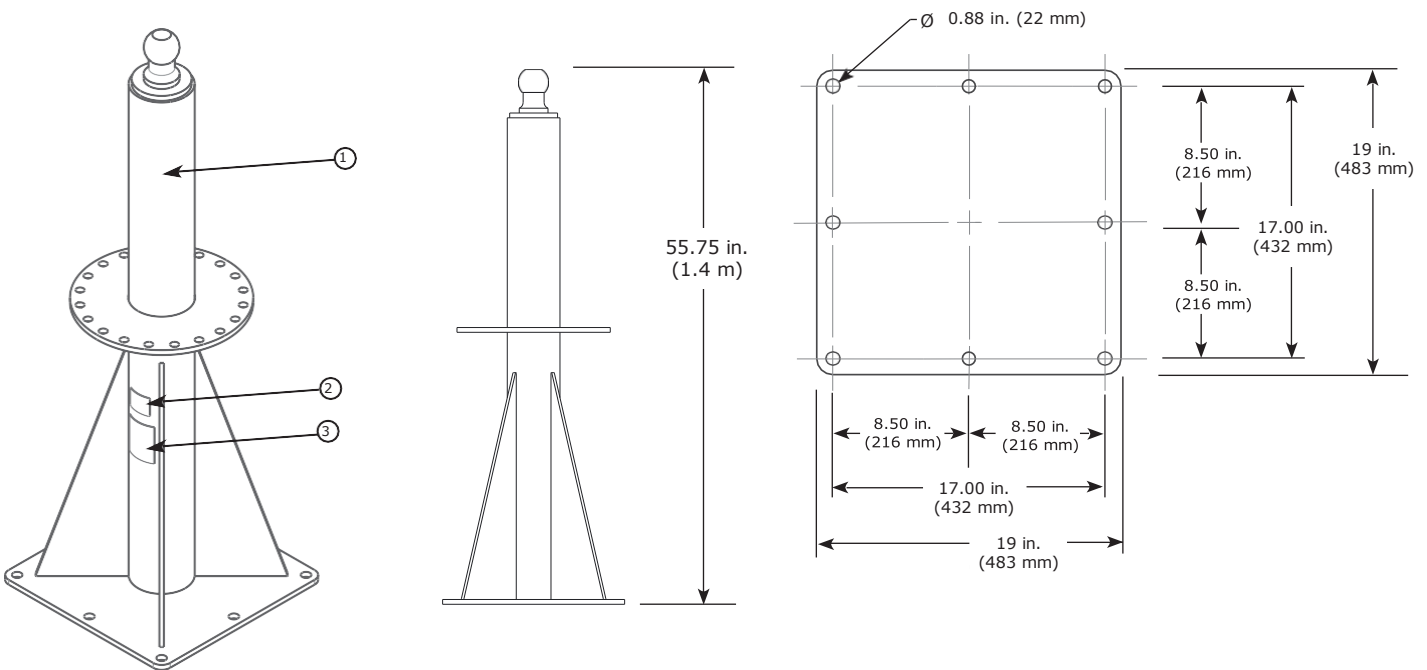
APLIKACE:

Podlahová montážní základna je navržena tak, aby byla ukotvena k schváleným strukturám a sloužila jako montážní bod pro schválený modulární výložníkový systém 3M.

Pro více informací o instalaci produktu se podívejte do návodu k použití 3M 5908375.

Normy: CEN/TS 16415:2013 Typ A, EN795:2012 Typ A, OSHA 1910.140, OSHA 1926.502

	Čistá hmotnost
8530888	265 lb. (120 kg)



Seznam Komponentů				
	Číslo Dílu	Popis	Materiál	Množství
①	8549921	Základní svařenec	Ocel	1
②	9514429	Identifikační štítek	Polyester	1
③	9515114	Uživatelský štítek	Polyester	1

Požadavky na montáž		
Minimální vytrhovací síla spojovacího prvku	Minimální momentové zatížení montážní struktury	Minimální vertikální zatížení montážní struktury
9,386 lb. (4,257 kg)	501,633 in.-lb. (56,677 N-m)	3,320 lb. (1,506 kg) + Hmotnost základny + Hmotnost výložníku M200

Zapuštěná montážní základna M200

TECHNICKÝ LIST: 8530889, 8530920, 8530921



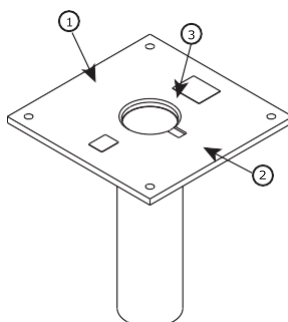
APLIKACE:

Zapuštěná montážní základna je navržena tak, aby byla ukotvena k schváleným strukturám a sloužila jako montážní bod pro schválený modulární výložníkový systém 3M.

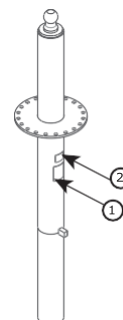
Pro více informací o instalaci produktu se podívejte do návodu k použití 3M 5908375.

Normy: CEN/TS 16415:2013, EN795:2012 Typ A, OSHA 1910.140, OSHA 1926.502

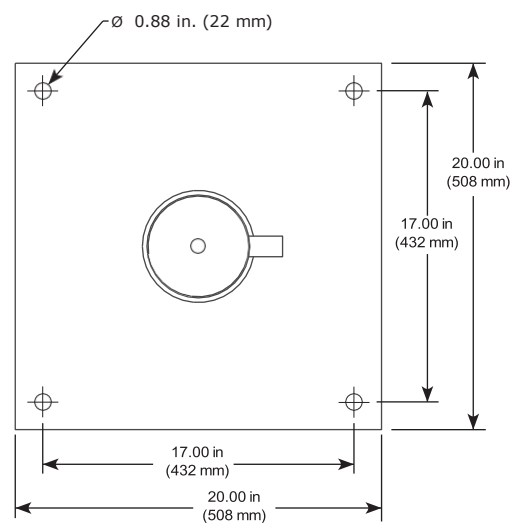
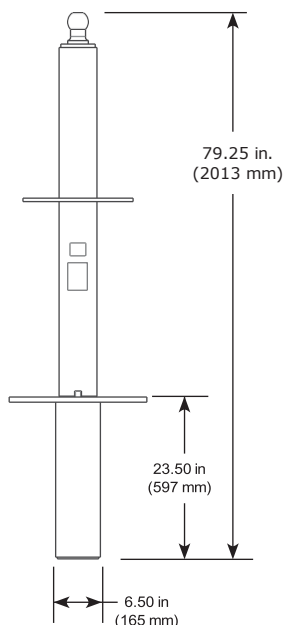
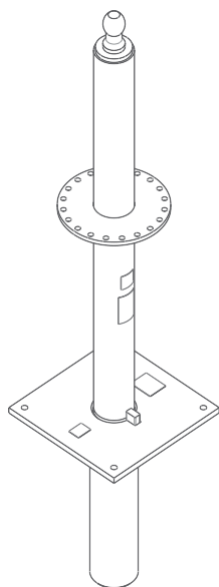
	Čistá hmotnost
8530920	140 lb. (64 kg)



	Čistá hmotnost
8530921	237 lb. (107 kg)



	Čistá hmotnost
8530889	377 lb. (171 kg)

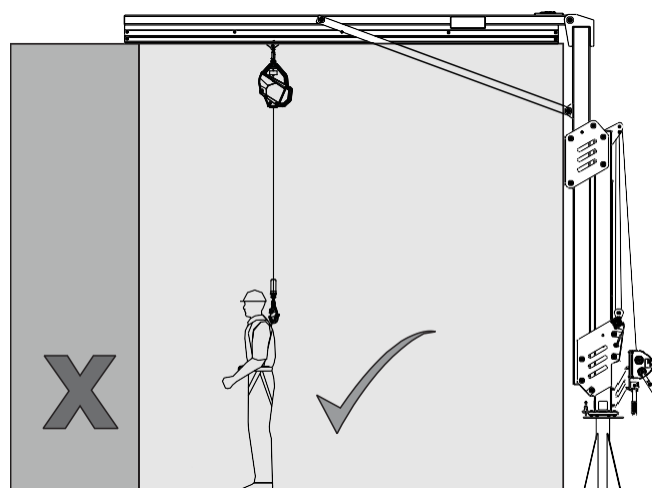
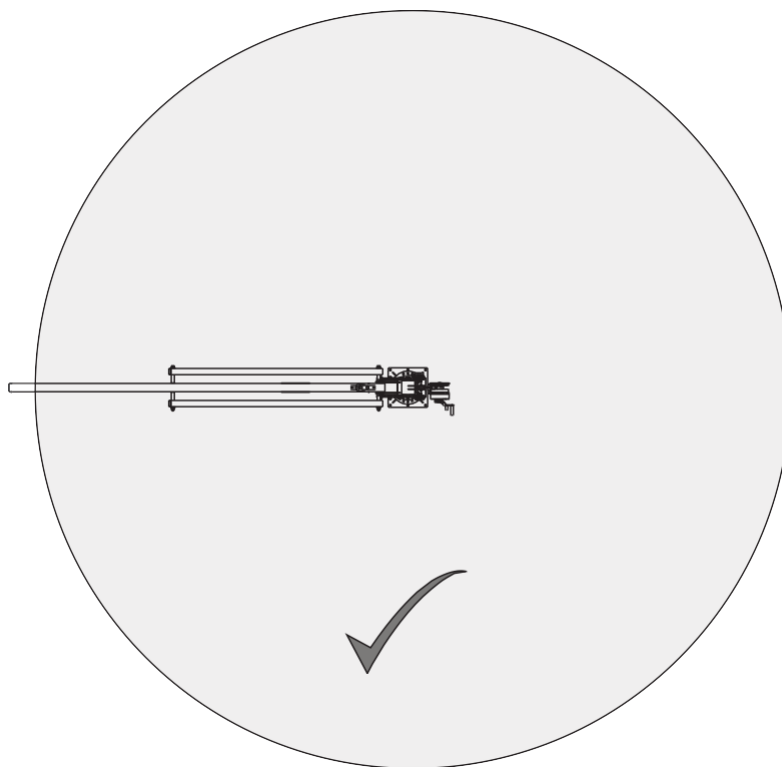


Seznam Komponentů				
	Číslo Dílu	Popis	Materiál	Množství
①	9515114	Uživatelský štítek	Polyester	1
②	9514429	Identifikační štítek	Polyester	1
③	8550165	Kryt základny	Hliník, Guma	1

Požadavky na montáž	
Minimální momentové zatížení montážní struktury	Minimální vertikální zatížení montážní struktury
501,633 in-lb. (56,677 N-m)	3,320 lb. (1,506 kg) + Base Weight + Hmotnost výložníku M200

APLIKACE:

Podívejte se na diagram níže pro pracovní oblast produktu.



Sada pro podlahovou kapsu

TECHNICKÝ LIST: 8530912

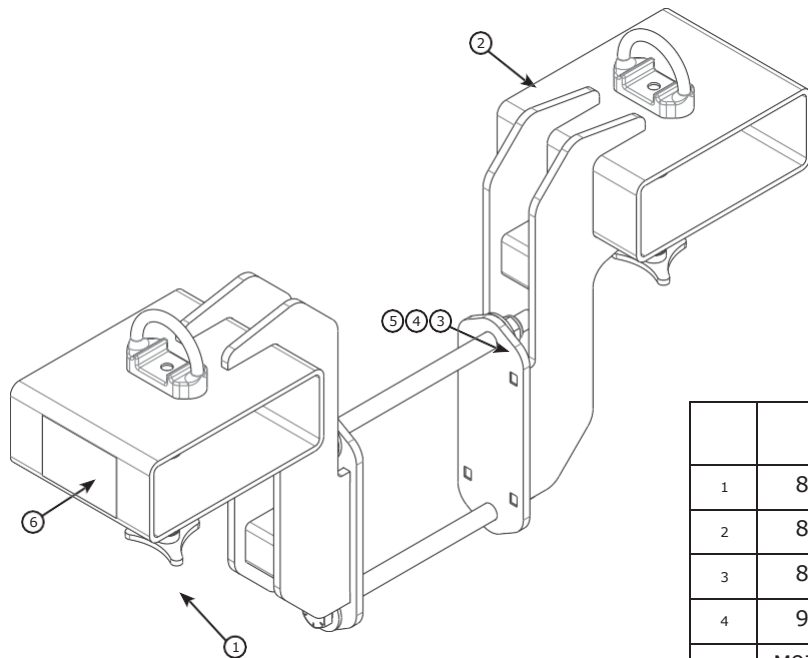
3M

**DBI
SALA®**
Fall Protection

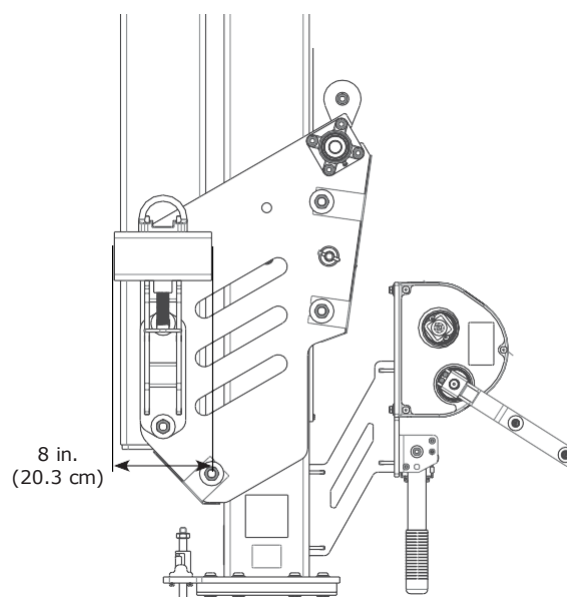
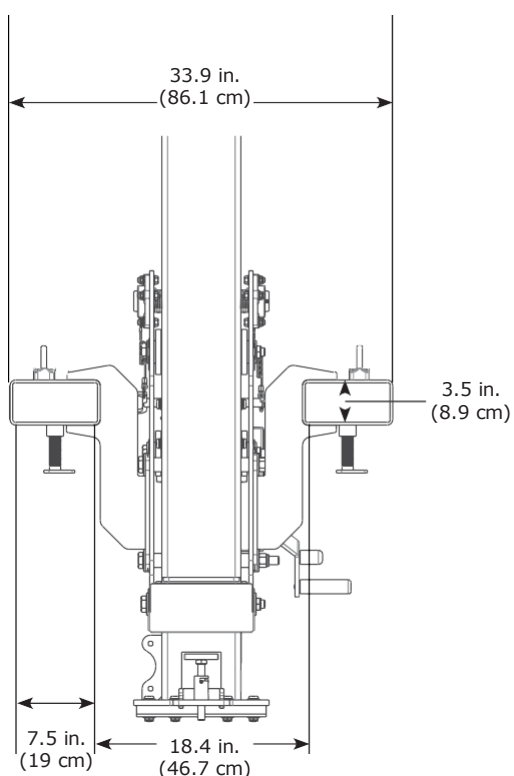
APLIKACE:

Tento model sady pro vidlicovou kapsu je navržen pro přepravu modelů výložníků s navijákem **8530891–8530898**.

Pro více informací o instalaci komponentů se podívejte do návodu k použití 3M 5908372.



	Číslo Dílu	Popis	Množství
1	8550127	Trojité šroub	2
2	8549905	Svařenec vidlicové kapsy	2
3	8518276	Šestihranná matice 3/4"	2
4	9512004	Šroub 3/4" x 12"	2
5	M970033018	Podložka 3/4"	4
6	9515122	Uživatelský štítek	1
	9500146	Řetězový článek	2
	8517096	Řetěz	10 ft.



Sada pro podlahovou kapsu

TECHNICKÝ LIST: 85309125

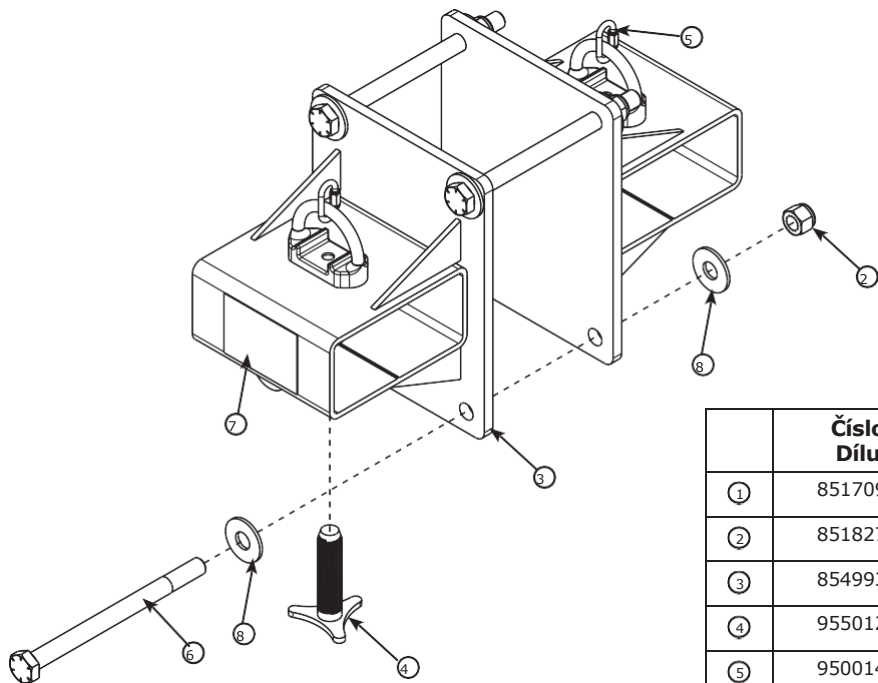
3M

**DBI
SALA®**
Fall Protection

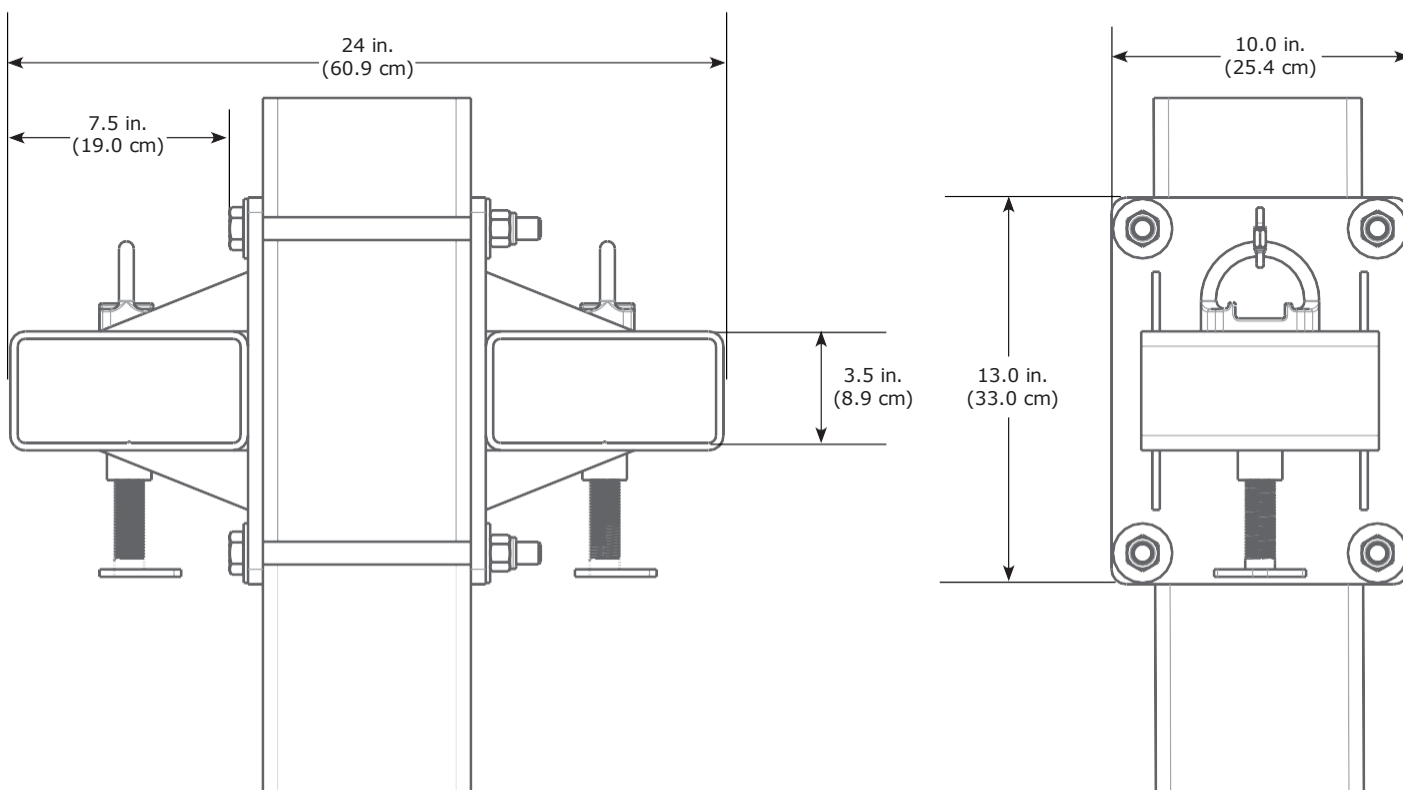
APLIKACE:

Tento model sady pro vidlicovou kapsu je navržen pro přepravu výložníku s nastavitelným kanálem modelů **8530899–8530904**.

Pro více informací o instalaci komponentů se podívejte do návodu k použití 3M 5908372.



	Číslo Dílu	Popis	Množství
①	8517096	Řetěz (není zobrazen)	10 ft.
②	8518276	Šestihranná matice 3/4"	4
③	8549938	Svařenec vidlicové kapsy	2
④	9550127	Svařenec trojitého šroubu	2
⑤	9500146	Rychlospojka	2
⑥	9514294	Šroub s šestihrannou hlavou 3/4"	4
⑦	9515573	Varovný štítek	1
⑧	M970033018	Podložka 3/4"	8



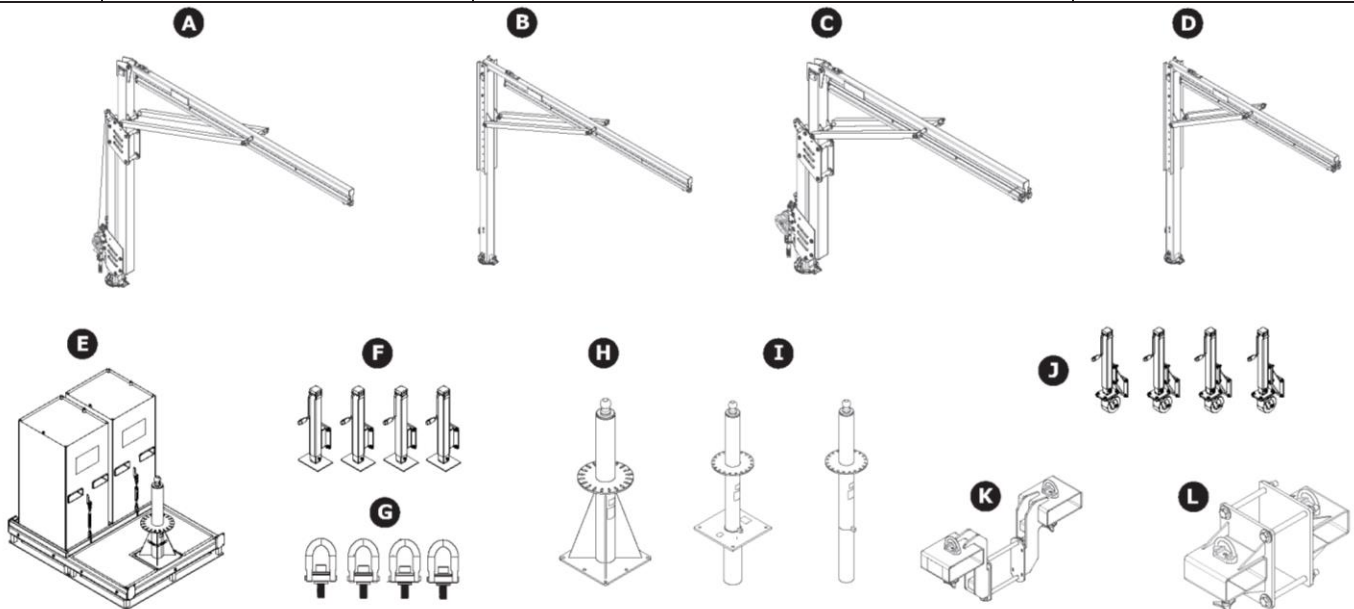


Fall Protection

**3M™ DBI-SALA®
M200 Davit Systems**

**TEKNISK DATABLAD Pack
5908526 Rev. D**

Callout	Teknisk Datablad	Beskrivelse	Side
A	8530891	12,3 ft.–15 ft. (3,8 m–4,6 m) Justerbar Davit	56
	8530892	14,8 ft.–20 ft. (4,5 m–6,1 m) Justerbar Davit	56
	8530893	17,3 ft.–25 ft. (5,3 m–7,6 m) Justerbar Davit	56
	8530894	19,8 ft.–30 ft. (6,1 m–9,1 m) Justerbar Davit	56
B	8530899	15 ft.–20 ft. (4,6 m–6,1 m) Semi-Fast Davit	58
	8530900	20 ft.–25 ft. (6,1 m–7,6 m) Semi-Fast Davit	58
	8530901	25 ft.–30 ft. (7,6 m–9,1 m) Semi-Fast Davit	58
C	8530895	12,3 ft.–15 ft. (3,8 m–4,6 m) Justerbar Davit	60
	8530896	14,8 ft.–20 ft. (4,5 m–6,1 m) Justerbar Davit	60
	8530897	17,3 ft.–25 ft. (5,3 m–7,6 m) Justerbar Davit	60
	8530898	19,8 ft.–30 ft. (6,1 m–9,1 m) Justerbar Davit	60
D	8530902	15 ft.–20 ft. (4,6 m–6,1 m) Semi-Fast Davit	62
	8530903	20 ft.–25 ft. (6,1 m–7,6 m) Semi-Fast Davit	62
	8530904	25 ft.–30 ft. (7,6 m–9,1 m) Semi-Fast Davit	62
E	8530886	Ufyldt Modvægtbase	64
	8530887	Fyldt Modvægtbase	64
F	8530907	Modvægtbase Donkrafte	66
G	8530777	Modvægtbase Løfteringe	66
H	8530888	Gulvmonteringsbase	68
I	8530889, 8530920, 8530921	Planmonteringsbase	69
J	8530908	Modvægtbase Hjul	66
K	8530912	Gaffellomme Kit	71
L	8530925	Gaffellomme Kit	72



Justerbar Davit

TEKNISK DATABLAD: 8530891-8530894



ANVENDELSE:

Davit'en er designet til at give forankringsforbindelsespunkter til et faldsikringsystem.

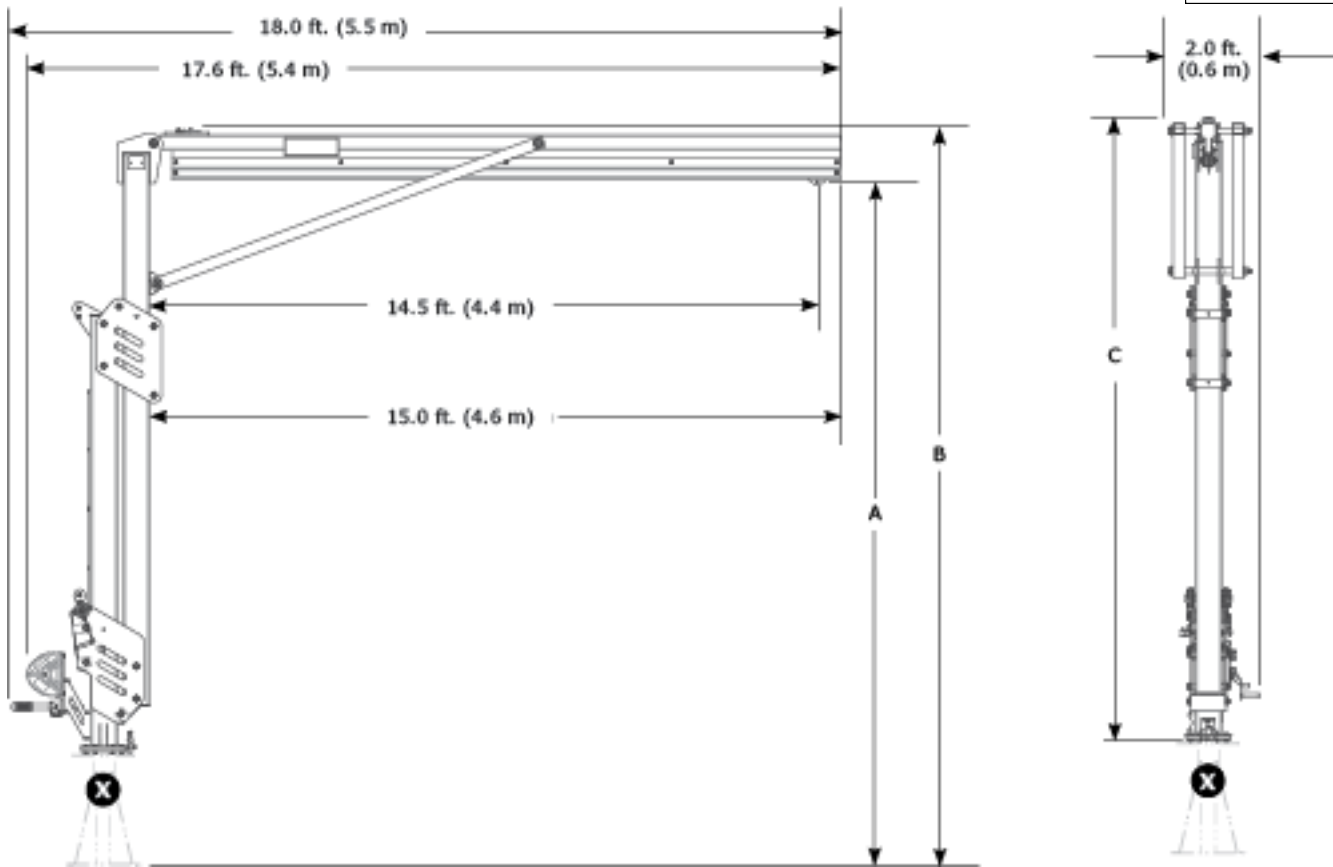
For mere information om produktinstallation, se brugsanvisningen.

Standarder: EN795:2012 Type E, OSHA 1910.140, OSHA 1926.502

≤ 1350 lb.
(6 kN)

≤ 310 lb.
(140 kg)

1x



	A	B	C	lb. (kg)
8530891	12.3 ft. – 15.0 ft. (3.8 m – 4.6 m)	13.4 ft. – 16.1 ft. (4.1 m – 4.9 m)	9.8 ft. – 14.8 ft. (3.0 m – 4.5 ft.)	945 lb. (429 kg)
8530892	14.8 ft. – 20.0 ft. (4.5 m – 6.1 m)	15.9 ft. – 21.1 ft. (4.8 m – 6.4 m)	13.5 ft. – 18.7 ft. (4.1 m – 5.7 m)	1,057 lb. (479 kg)
8530893	17.3 ft. – 25.0 ft. (5.3 m – 7.6 m)	18.4 ft. – 26.1 ft. (5.6 m – 8.0 m)	16.0 – 23.7 ft. (4.9 m – 7.2 m)	1,169 lb. (530 kg)
8530894	19.8 ft. – 30.0 ft. (6.0 m – 9.1 m)	20.9 ft. – 31.1 ft. (6.4 m – 9.5 m)	18.5 ft. – 28.7 ft. (5.6 m – 8.7 m)	1,281 lb. (581 kg)

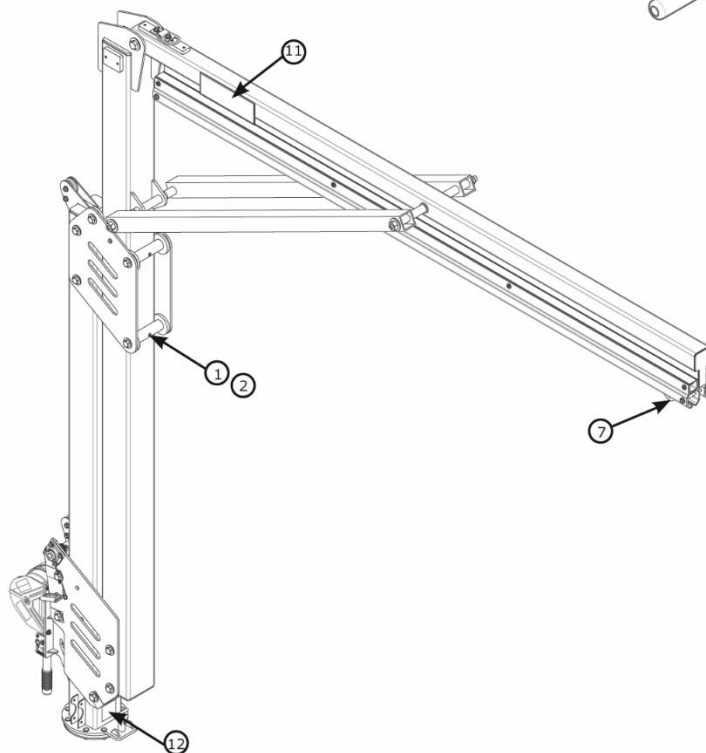
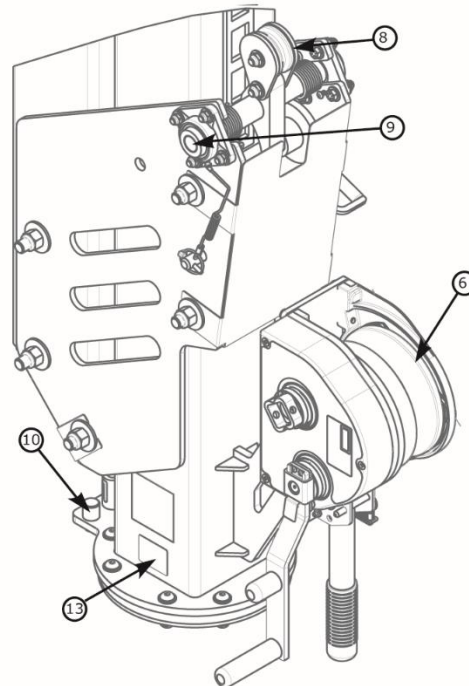
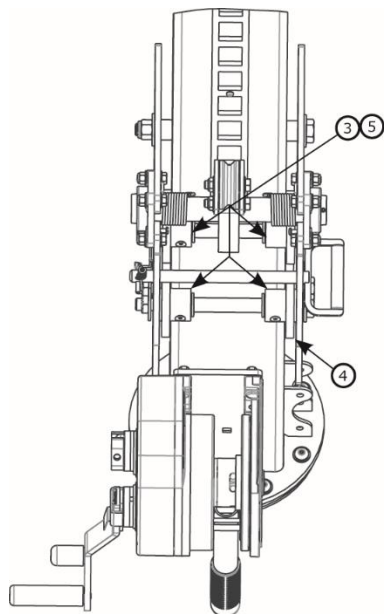
Justerbare Davit-komponenter

TEKNISK DATABLAD: 8530891-8530894

3M

DBI
SALA[®]

Fall Protection



Komponentliste				
	Delnummer	Beskrivelse	Materiale	Mængde
1	8550046	Bred Rulle	Nylon	3
2	8550047	Bred Rulleafstandsstykke	304 Rustfrit Stål	3
3	8550327	Smal Rulle	Nylon	2
4	9514703	Siderulle	Nylon	8
5	8550213	Smal Rulleafstandsstykke	304 Rustfrit Stål	2
6	8549930	Spil	Stål	1
7	8521711	Trolley	Stål, Nylon	1

Komponentliste				
	Delnummer	Beskrivelse	Materiale	Mængde
8	8550223	Låsemekanisme (kun autoriseret reparation)	Stål, Nylon	1
9	9515138	Lejer	Stål	2
10	8550398	Rotationsstop	Aluminium	2
11	9515111	3M Mærkat	Polyester	2
12	9515101	Rotationsmærkat	Polyester	1
13	9514429	ID Mærkat	Polyester	1
14	9515112	Brugermærkat	Polyester	1

Semi-Fast Davit

TEKNISK DATABLAD: 8530899–8530901




Fall Protection

ANVENDELSE:


Davit'en er designet til at give forankringsforbindelsespunkter til et faldsikringsystem.

For mere information om produktinstallation, se brugsanvisningen.

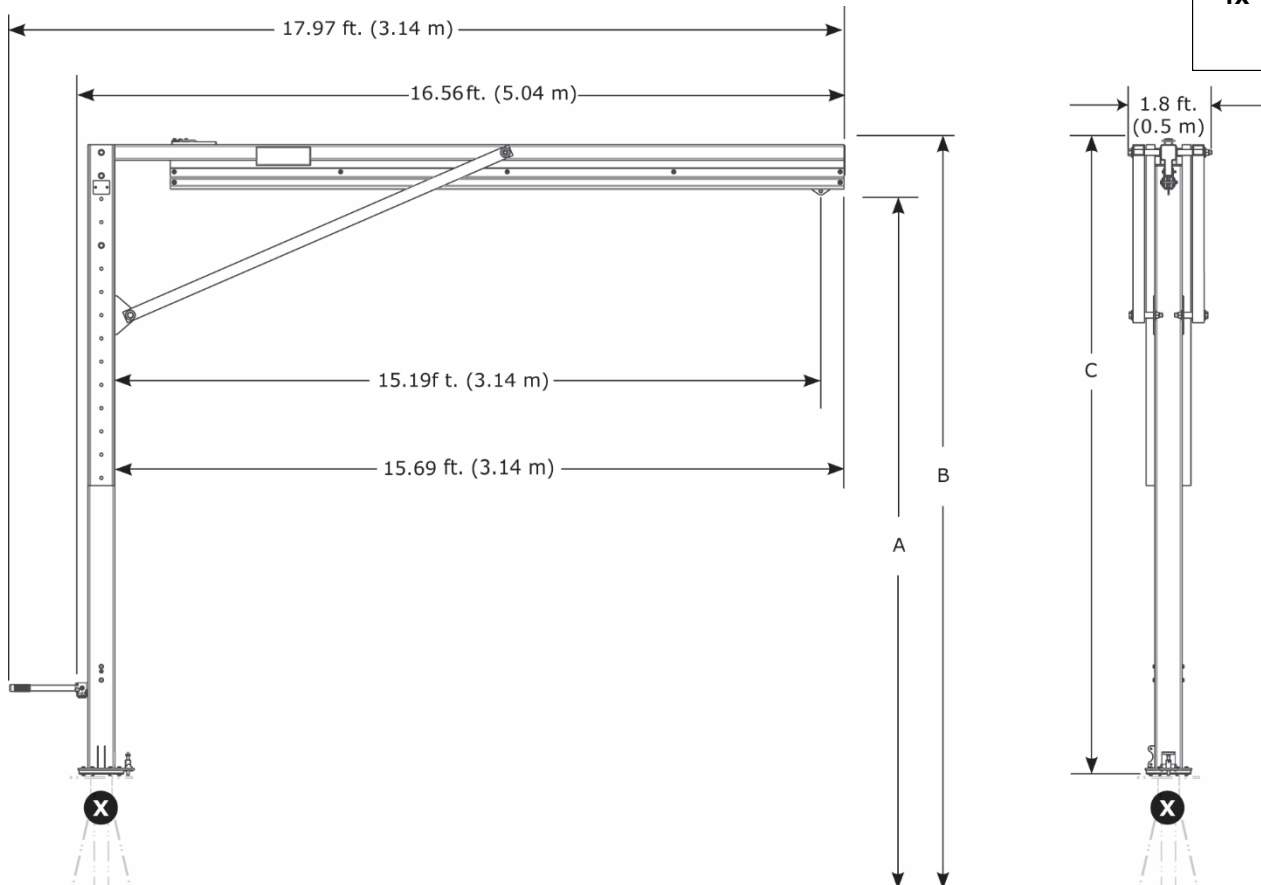
Standarder: EN795:2012 Type E, OSHA 1910.140, OSHA 1926.502



≤ 1350 lb.
(6 kN)



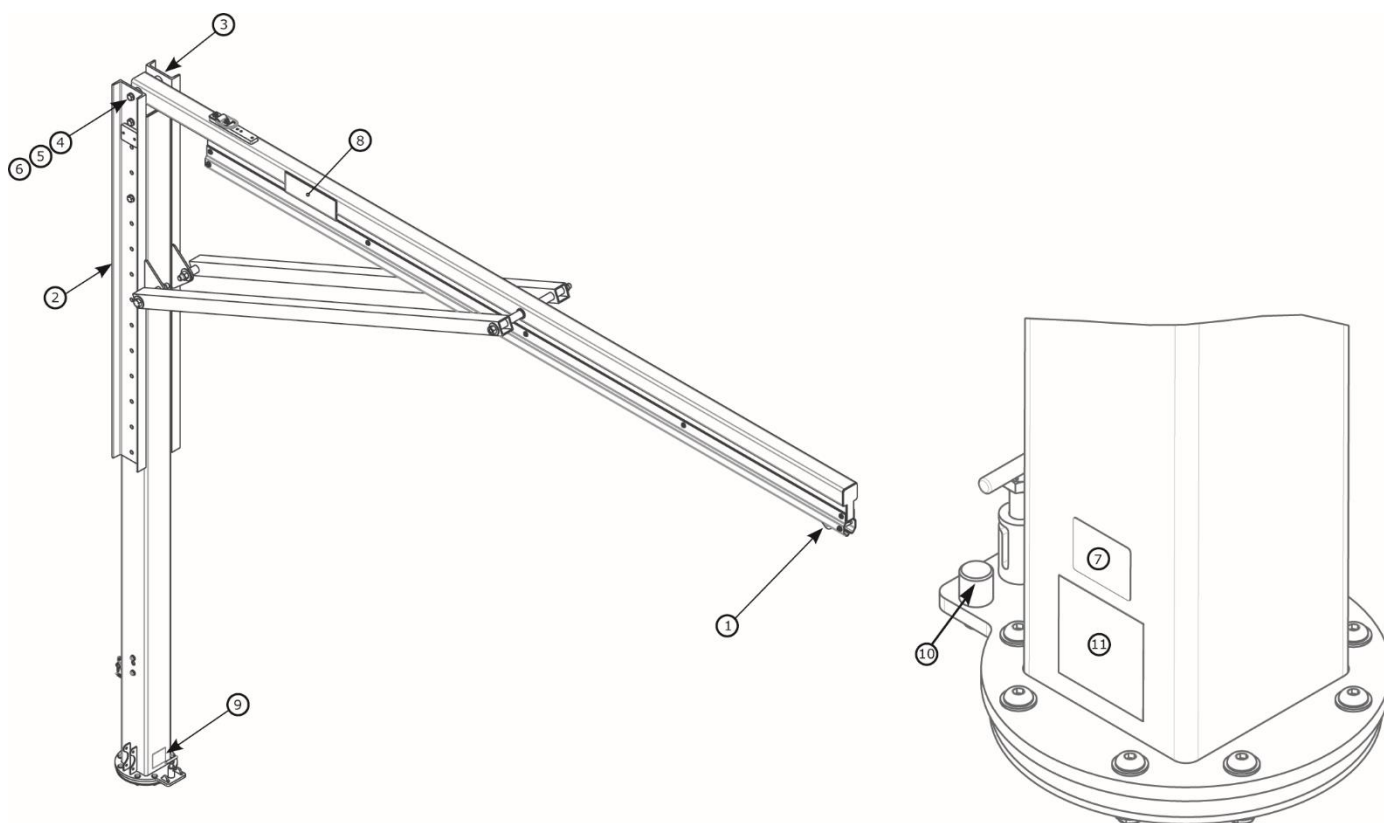
1x ≤ 310 lb.
(140 kg)



	A	B	C	lb. (kg)
8530899	15.0 ft. – 20.0 ft. (4.6 m – 6.1 m)	16.1 ft. – 21.1 ft. (4.9 m – 6.4 m)	13.7 ft. – 18.7 ft. (4.2 m – 5.7 m)	818 lb. (371 kg)
8530900	20.0 ft. – 25.0 ft. (6.1 m – 7.6 m)	21.1 ft. – 26.1 ft. (6.4 m – 7.9 m)	18.7 ft. – 23.7 ft. (5.7 m – 7.2 m)	930 lb. (422 kg)
8530901	25.0 ft. – 30.0 ft. (7.6 m – 9.1 m)	26.1 ft. – 31.1 ft. (7.9 m – 9.6 m)	23.7 ft. – 28.7 ft. (7.2 m – 8.7 m)	1,041 lb. (472 kg)
+6" (152 mm) justeringsinkremitter				

Semi-Faste Davit-komponenter

TEKNISK DATABLAD: 8530899-8530901



	Delnummer	Beskrivelse	Materiale	Mængde
1	8521711	Trolley	Rustfrit Stål, Stål, Nylon	1
2	8549933	Redningsmonteringskanal	Stål	1
3	8550248	Kanal	Stål	1
4	8526654	3/4" x 9" Bolt	Stål	2
5	8522275	3/4" Skive	Stål	4
6	8518276	3/4" Møtrik	Stål	2
7	9514429	ID Mærkat	Polyester	1

	Delnummer	Beskrivelse	Materiale	Mængde
8	9515111	3M Mærkat	Polyester	2
9	9515101	Rotationsmærkat	Polyester	1
10	8550398	Rotationsstop	Aluminium	2
11	9515112	Brugermærkat	Polyester	1

Justerbar Davit

TEKNISK DATABLAD: 8530895–8530898

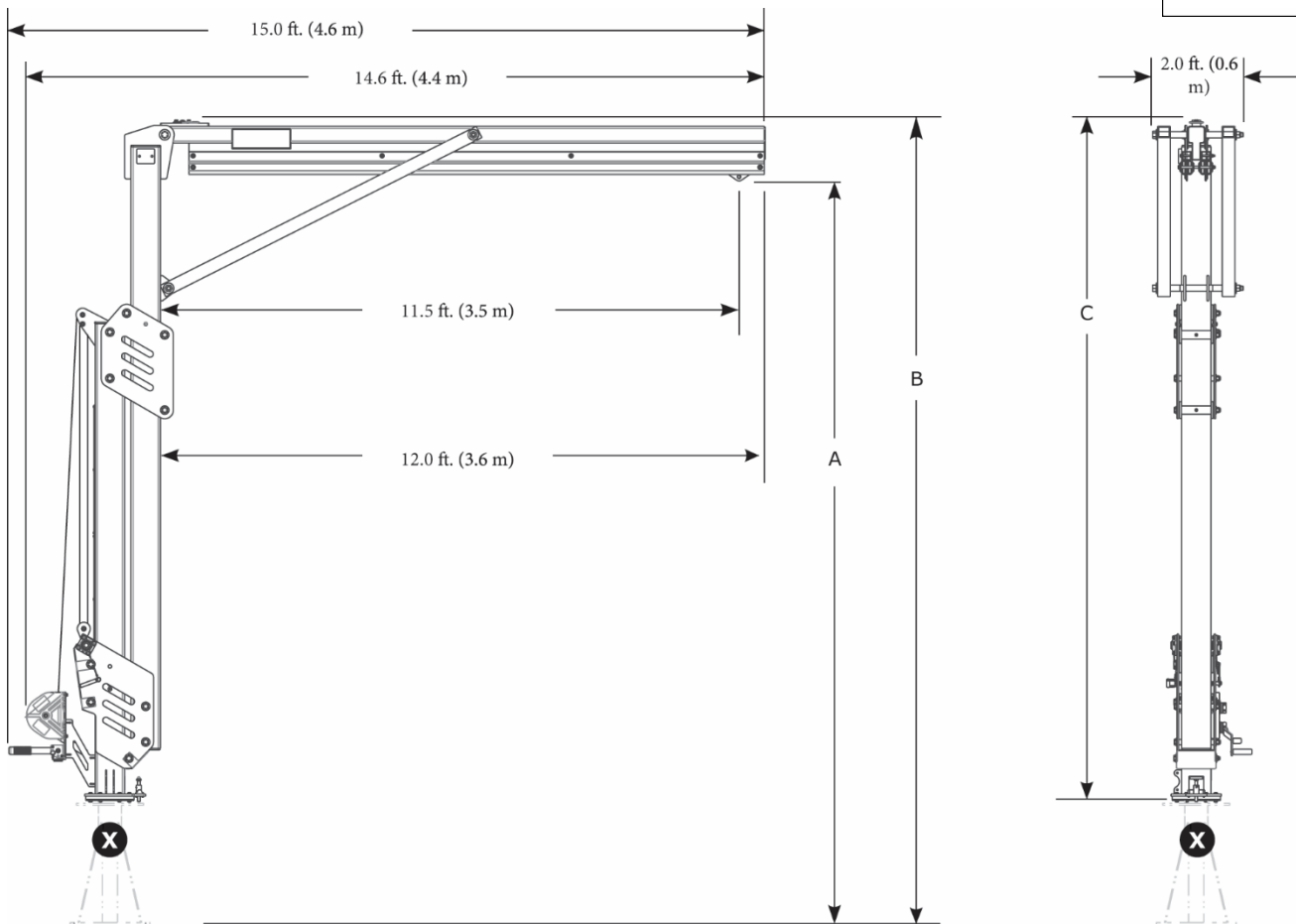
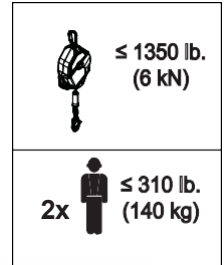


ANVENDELSE:

Davit'en er designet til at give forankringsforbindelsespunkter til et faldsikringsystem.

For mere information om produktinstallation, se brugsanvisningen.

Standarder: CEN/TS 16415:2013 Type E, EN795:2012 Type E, OSHA 1910.140, OSHA 1926.502



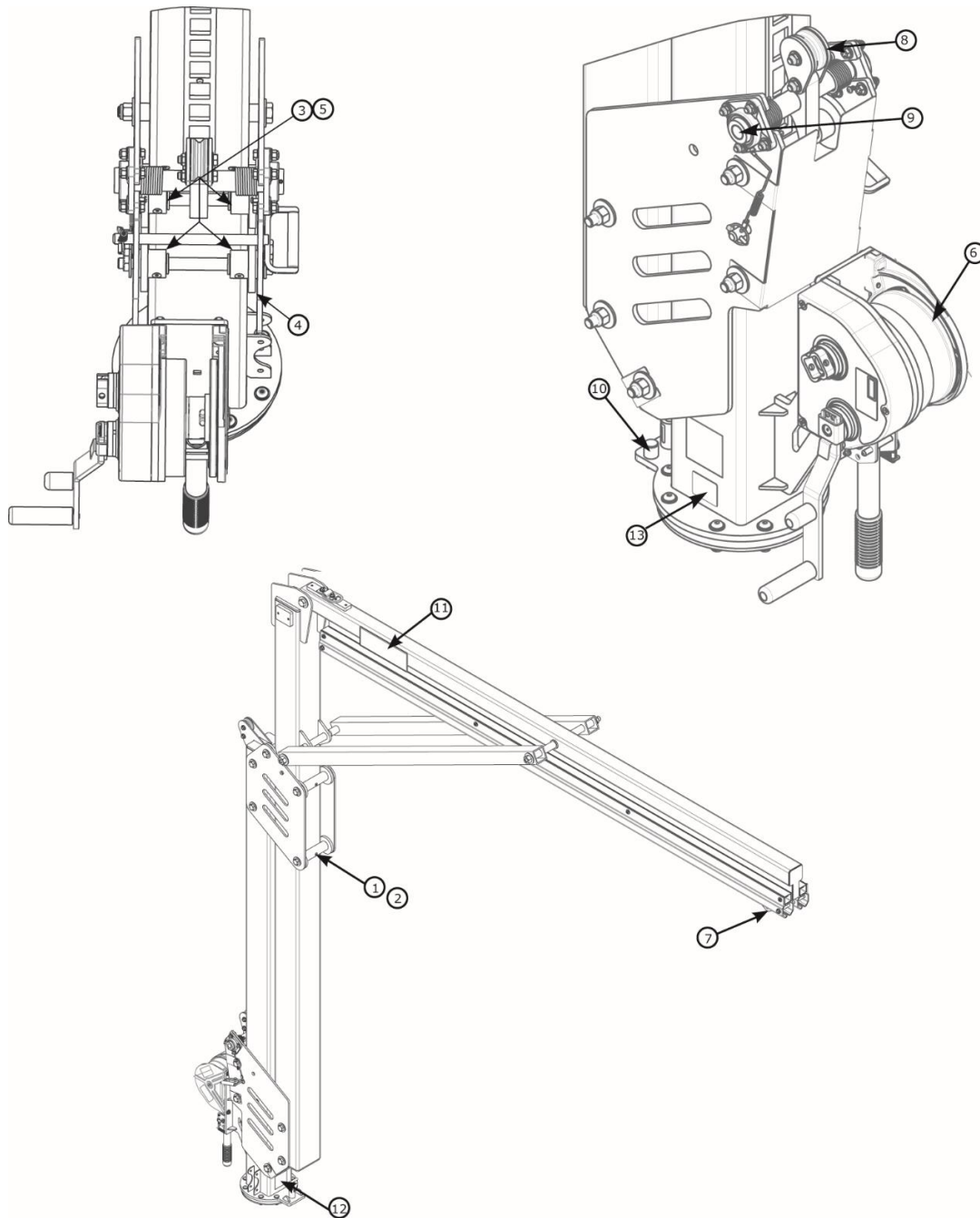
	A	B	C	lb. (kg)
8530895	12.3 ft. – 15.0 ft. (3.8 m – 4.6 m)	13.4 ft. – 16.1 ft. (4.1 m – 4.9 m)	11.0 ft. – 13.7 ft. (3.4 m – 4.2 ft.)	1,011 lb. (459 kg)
8530896	14.8 ft. – 20.0 ft. (4.5 m – 6.1 m)	15.9 ft. – 21.1 ft. (4.8 m – 6.4 m)	13.5 ft. – 18.7 ft. (4.1 m – 5.7 m)	1,123 lb. (509 kg)
8530897	17.3 ft. – 25.0 ft. (5.3 m – 7.6 m)	18.4 ft. – 26.1 ft. (5.6 m – 8.0 m)	16.0 – 23.7 ft. (4.9 m – 7.2 m)	1,235 lb. (560 kg)
8530898	19.8 ft. – 30.0 ft. (6.0 m – 9.1 m)	20.9 ft. – 31.1 ft. (6.4 m – 9.5 m)	18.5 ft. – 28.7 ft. (5.6 m – 8.7 m)	1,343 lb. (609 kg)

Justerbare Davit-komponenter

TEKNISK DATABLAD: 8530895-8530898

3M

**DBI
SALA**
Fall Protection



Komponentliste				
	Delnummer	Beskrivelse	Materiale	Mængde
1	8550046	Bred Rulle	Nylon	3
2	8550047	Bred Rulleafstandsstykke	304 Rustfrit Stål	3
3	8550327	Smal Rulle	Nylon	2
4	9514703	Siderulle	Nylon	8
5	8550213	Smal Rulleafstandsstykke	304 Rustfrit Stål	2
6	8549930	Spil	Stål	1
7	8521711	Trolley	Stål, Nylon	1

Komponentliste				
	Delnummer	Beskrivelse	Materiale	Mængde
8	8550223	Låsemekanisme (kun autoriseret reparation)	Stål, Nylon	1
9	9515138	Lejer	Stål	2
10	8550398	Rotationsstop	Aluminium	2
11	9515111	3M Mærkat	Polyester	2
12	9515101	Rotationsmærkat	Polyester	1
13	9514429	ID Mærkat	Polyester	1
14	9515112	Brugermærkat	Polyester	1

Semi-Fast Davit

TEKNISK DATABLAD: 8530902-8530904




ANVENDELSE:


Davit'en er designet til at give forankringsforbindelsespunkter til et faldsikringsystem.

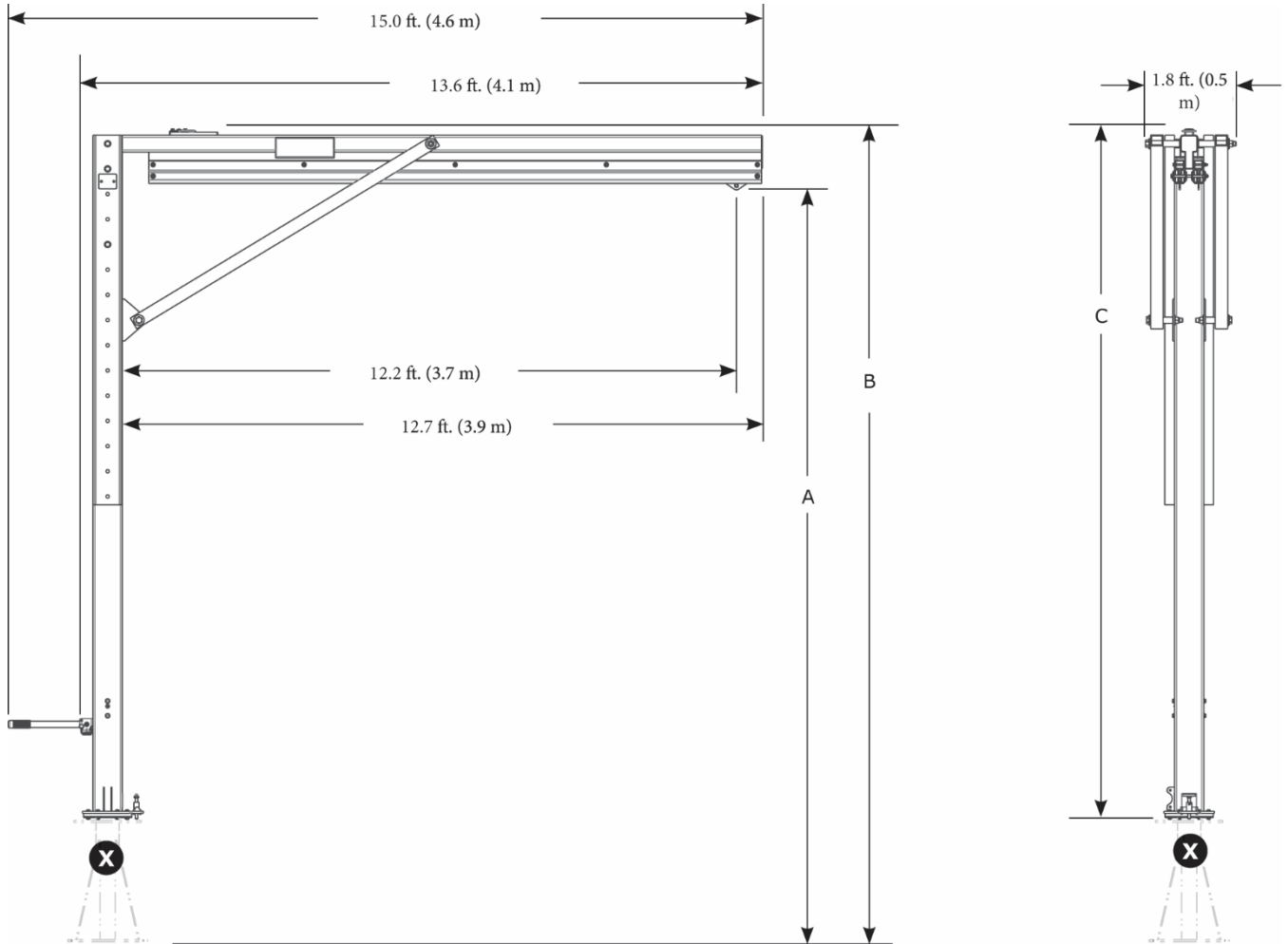
For mere information om produktinstallation, se brugsanvisningen.

Standarder: CEN/TS 16415:2013 Type E, EN795:2012 Type E, OSHA 1910.140, OSHA 1926.502



≤ 1350 lb.
(6 kN)

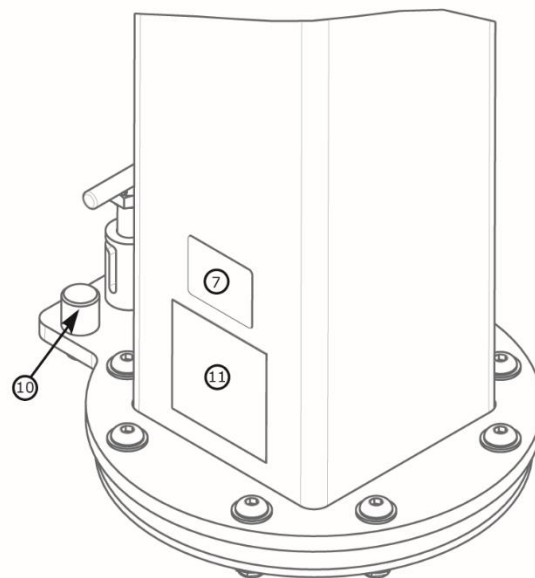
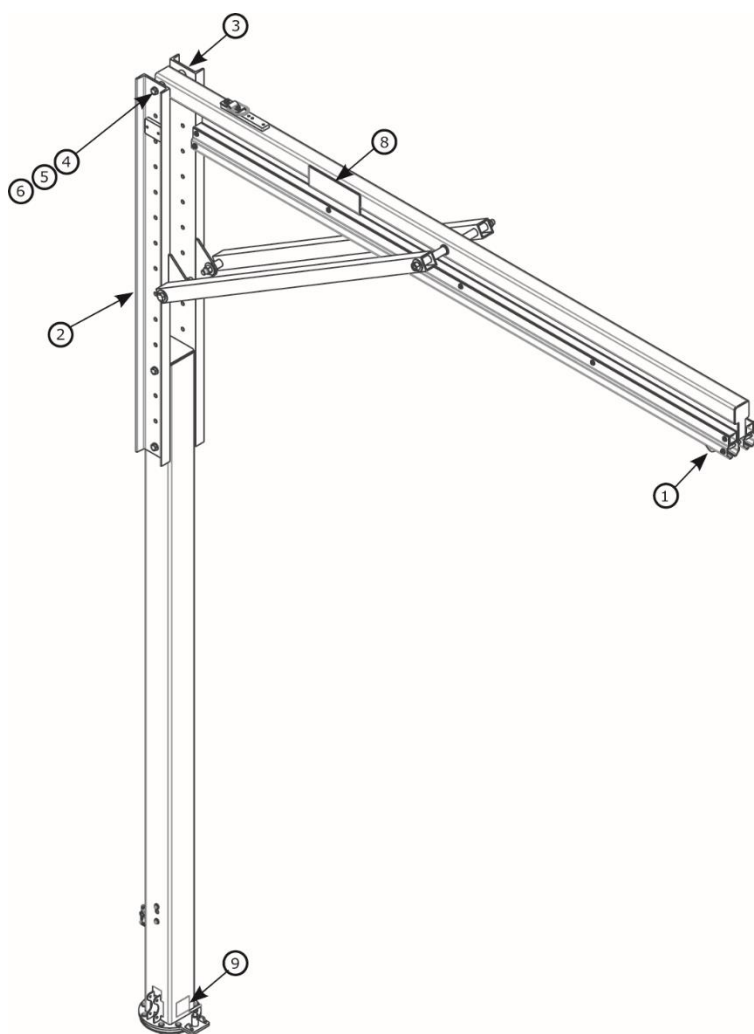
2x  ≤ 310 lb.
(140 kg)



	A	B	C	lb. (kg)
8530902	15.0 ft. – 20.0 ft. (4.6 m – 6.1 m)	16.1 ft. – 21.1 ft. (4.9 m – 6.4 m)	13.7 ft. – 18.7 ft. (4.2 m – 5.7 m)	850 lb. (386 kg)
8530903	20.0 ft. – 25.0 ft. (6.1 m – 7.6 m)	21.1 ft. – 26.1 ft. (6.4 m – 7.9 m)	18.7 ft. – 23.7 ft. (5.7 m – 7.2 m)	961 lb. (436 kg)
8530904	25.0 ft. – 30.0 ft. (7.6 m – 9.1 m)	26.1 ft. – 31.1 ft. (7.9 m – 9.6 m)	23.7 ft. – 28.7 ft. (7.2 m – 8.7 m)	1,073 lb. (487 kg)

Semi-Faste Davit-komponenter

TEKNISK DATABLAD: 8530902-8530904



	Delnummer	Beskrivelse	Materiale	Mængde
1	8521711	Trolley	Rustfrit Stål, Stål, Nylon	1
2	8549933	Redningsmonteringskanal	Stål	1
3	8550248	Kanal	Stål	1
4	8526654	3/4" x 9" Bolt	Stål	2
5	8522275	3/4" Skive	Stål	4
6	8518276	3/4" Møtrik	Stål	2
7	9514429	ID Mærkat	Polyester	1

	Delnummer	Beskrivelse	Materiale	Mængde
8	9515111	3M Mærkat	Polyester	2
9	9515101	Rotationsmærkat	Polyester	1
10	8550398	Rotationsstop	Aluminium	2
11	9515112	Brugermærkat	Polyester	1

M200 Modvægtbase

TEKNISK DATABLAD: 8530886, 8530887



ANVENDELSE:

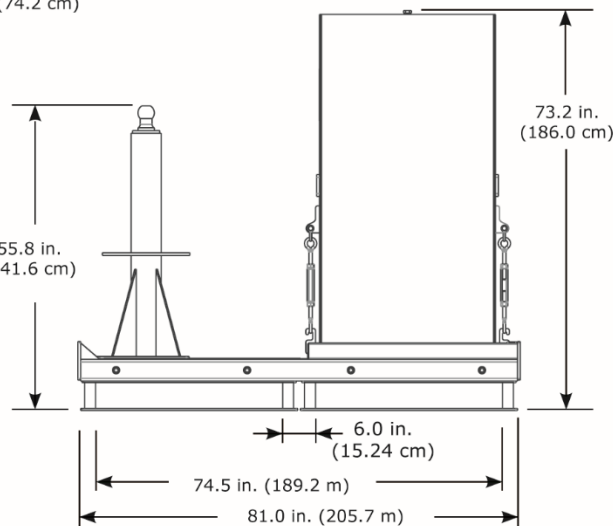
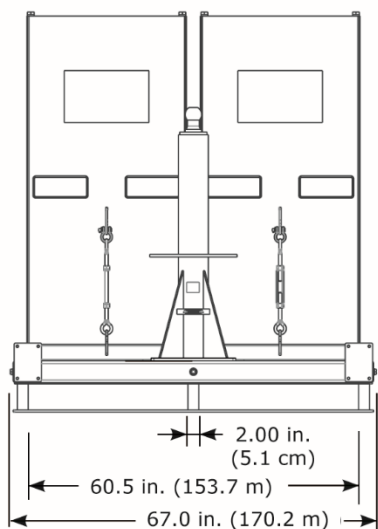
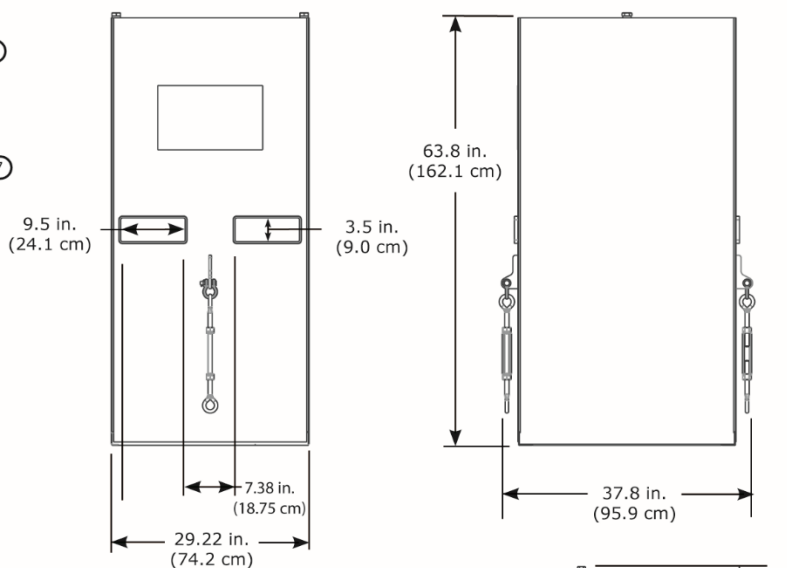
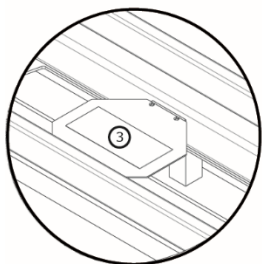
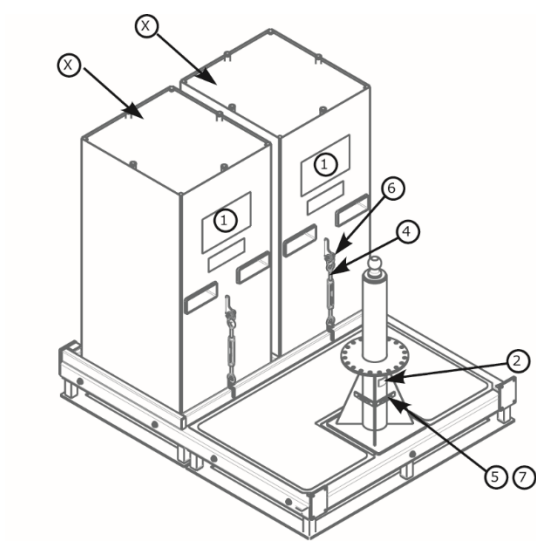
Davit-basen er designet til at blive brugt som et monteringspunkt for davit-systemet.

For mere information om produktinstallation, se brugsanvisningen.

Standarder: CEN/TS 16415:2013 Type E, EN795:2012 Type E, OSHA 1910.140, OSHA 1926.502

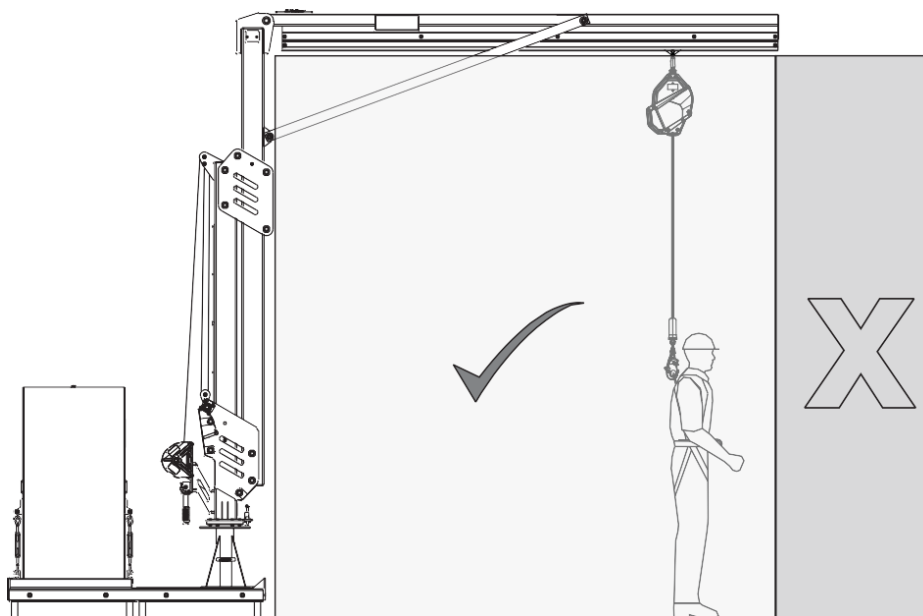
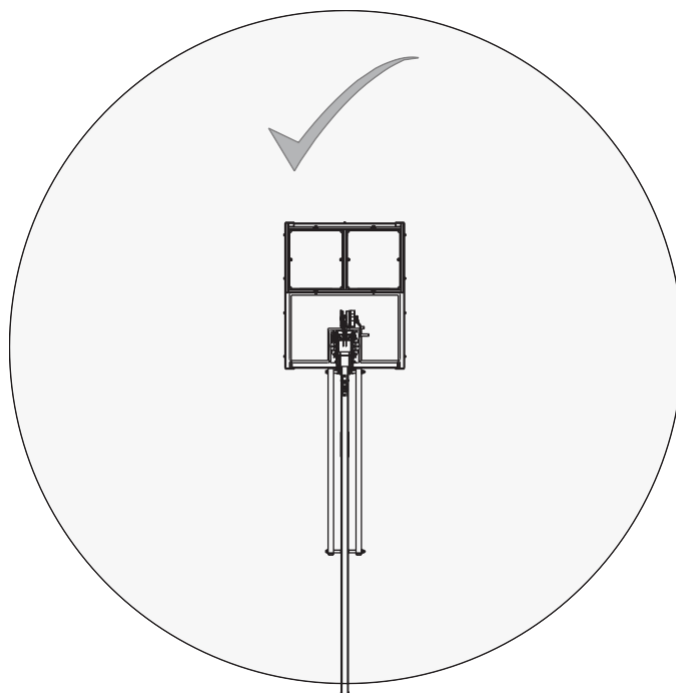
	X 4,000 psi (30 MPa)	Krav til hvilende struktur	Vægt
8530886		14,645 lb. (6,643 kg)	2,407 lb. (1,092 kg)
8530887	✓	+ Vægt af M200 Jib Boom	11,325 lb. (5,137 kg)

Komponentliste				
	Delnummer	Beskrivelse	Materiale	Mængde
1	9515107	Brugermærkat	Polyester	1
2	9514429	ID Mærkat	Polyester	1
3	9515106	Advarselsmærkat	Polyester	1
4	8520575	Skrue	Stål	2
5	9513627	Sjækel	Stål	4
6	9501794	Vatterpasboble	Plastik	2
7	9515058	Advarselsmærkat	Polyester	2
8	9515566	Brugermærkat	Polyester	4



ANVENDELSE:

Se diagrammet nedenfor for produktets arbejdsområde.



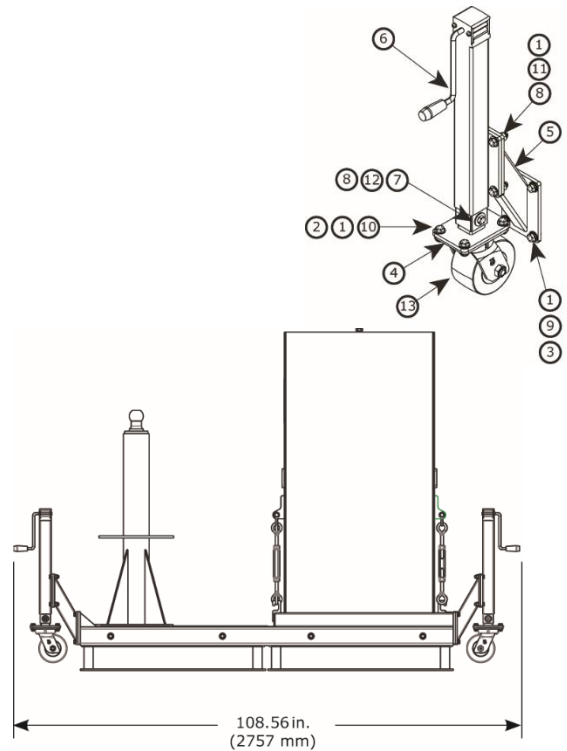
Tilbehør til M200 Modvægtbase

TEKNISK DATABLAD: 8530907, 8530908, 8530777

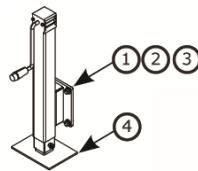


Fall Protection

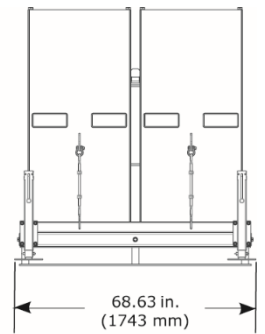
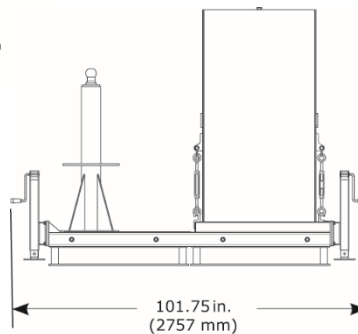
Komponentliste				
	Delnummer	Beskrivelse	Materiale	Mængde
1	8510037	1/2" Skive	Stål	80
2	8512460	1/2" x 1 1/4" Bolt	Stål	16
3	8518432	1/2" x 1" Bolt	Stål	16
4	8550153	Hjul Samling	Stål	4
5	8550155	Vinklet Samling	Stål	4
6	8550156	Monteret Samling	Stål	4
7	9501243	1/2" Skive	Stål	8
8	9501831	1/2" Sekskantmøtrik	Stål	20
9	9504221	1/2" Skive	Stål	16
10	9504813	1/2" Sekskantmøtrik	Stål	16
11	9509276	1/2" x 1 3/4" Bolt	Stål	16
12	9510153	1/2" x 3 1/4" Bolt	Stål	4
13	9515081	Drejehjul	Stål, Urethan	4



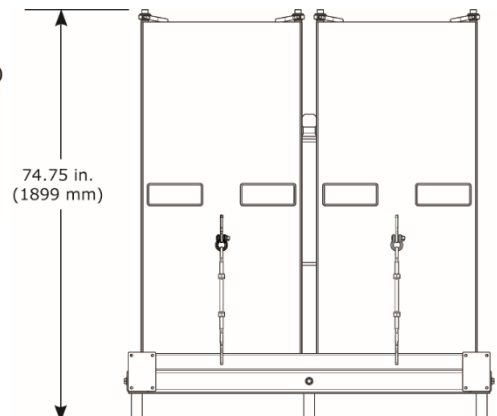
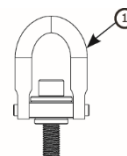
	8530907	8530908	8530777
Vægt	108 lb. (49 kg)	152 lb. (69 kg)	12 lb. (5.4 kg)



	Delnummer	Beskrivelse	Materiale	Mængde
1	9504221	1/2" Låseskive	Stål	16
2	8510037	1/2" Skive	Stål	16
3	8518432	1/2" x 1" Bolt	Stål	16
4	8550177	Hjul Samling	Stål	4





Komponentliste				
	Delnummer	Beskrivelse	Materiale	Mængde
1	9512574	Løftering	Stål	4

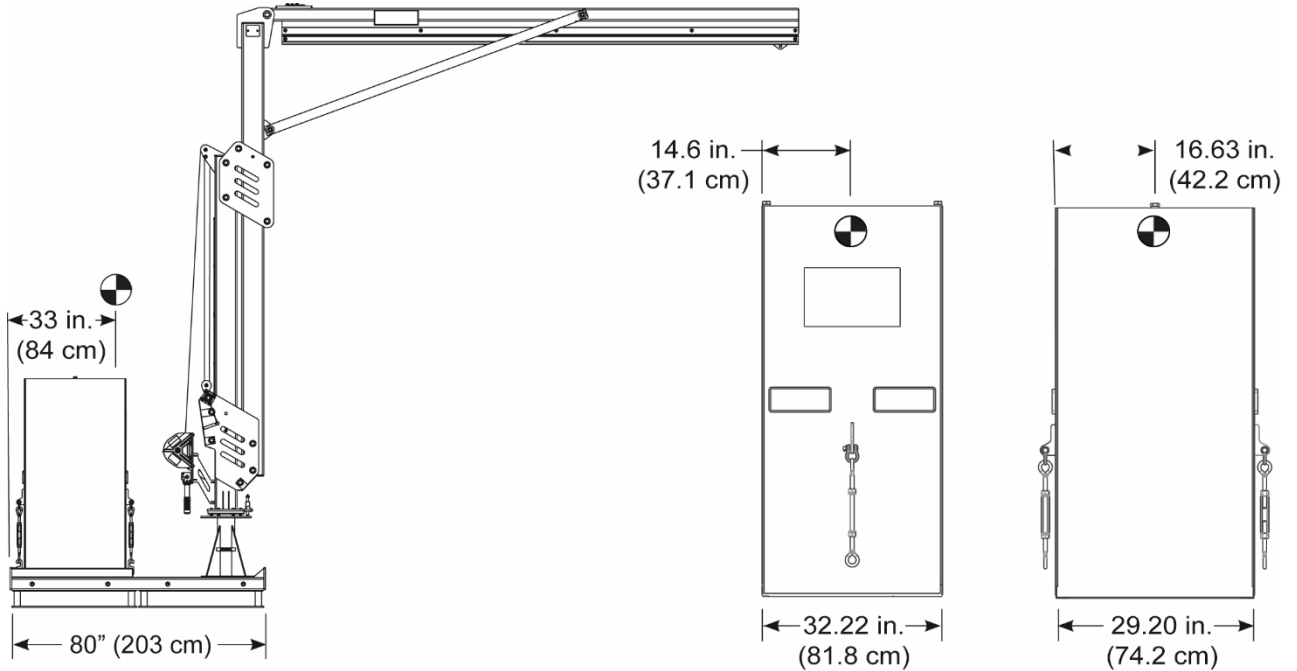



Tyngdepunkt for M200 Modvægtbase
TEKNISK DATABLAD: 8530886, 8530887




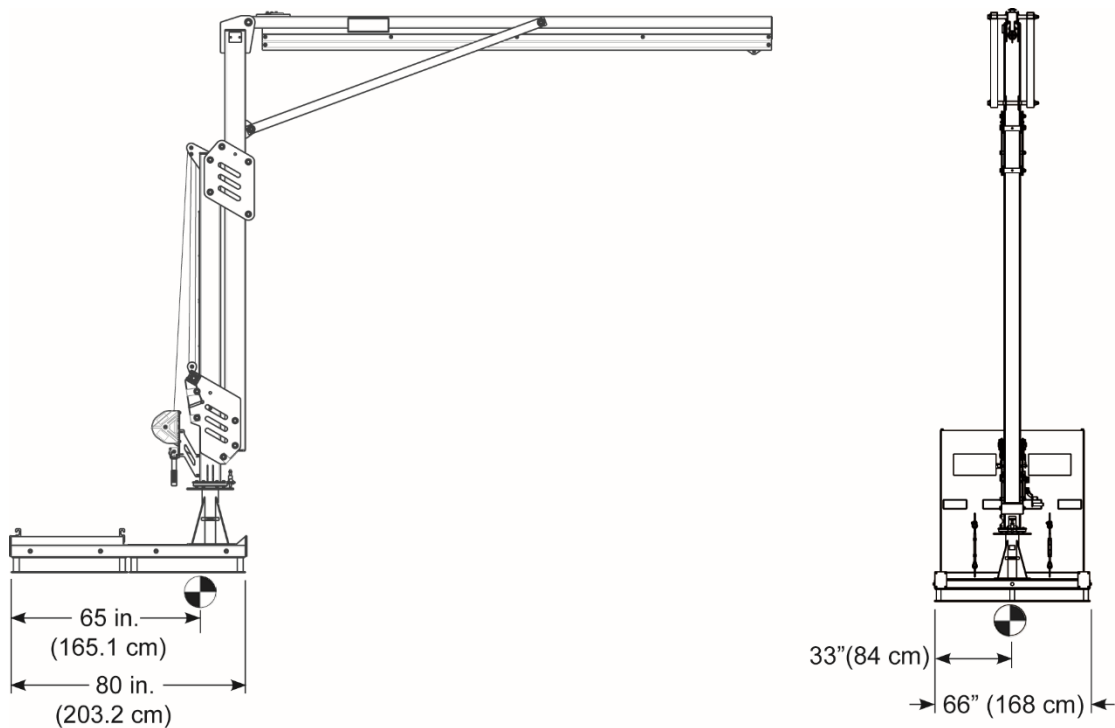
8530887	8530898
 .lb (kg)	12,668 lbs. (5,746 kg)

 .lb (kg)	5,000 lbs. (2,268 kg)
--	--------------------------



8530887	8530898
 .lb (kg)	2,668 lbs. (1,210 kg)

8530887	8530898
 .lb (kg)	12,668 lbs. (5,746 kg)



M200 Gulvmonteringsbase

TEKNISK DATABLAD: 8530888



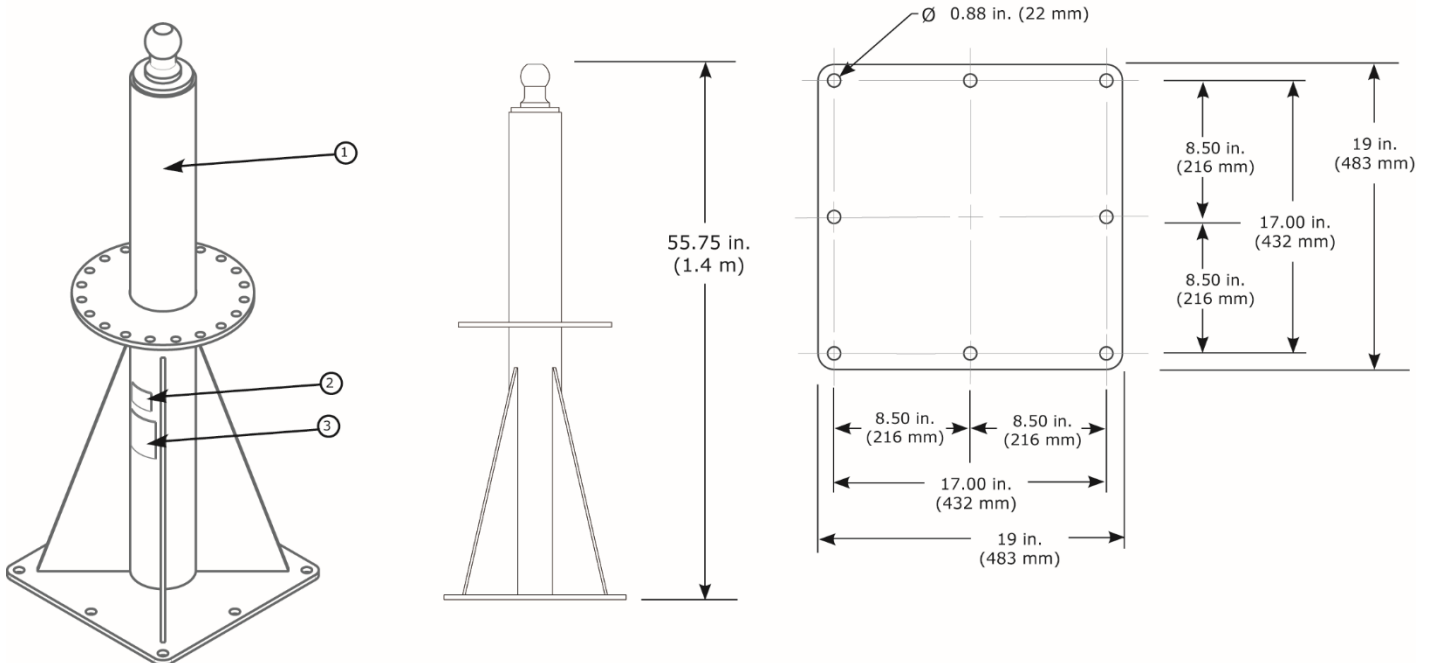
ANVENDELSE:

Davit-basen er designet til at blive brugt som et monteringspunkt for davit-systemet.

For mere information om produktinstallation, se brugsanvisningen.

Standarder: CEN/TS 16415:2013 Type A, EN795:2012 Type A, OSHA 1910.140, OSHA 1926.502

	Vægt
8530888	265 lb. (120 kg)



Komponentliste				
	Delnummer	Beskrivelse	Materiale	Mængde
1	8549921	Base Samling	Stål	1
2	9514429	ID Mærkat	Polyester	1
3	9515114	Brugermærkat	Polyester	1

Monteringskrav		
Minimum Fastener Udtrækningskraft	Monteringsstruktur Minimum Momentbelastning	Monteringsstruktur Minimum Vertikal Belastning
9,386 lb. (4,257 kg)	501,633 in-lb. (56,677 N-m)	3,320 lb. (1,506 kg) + Basevægt + Vægt af M200 Jib Boom

M200 Planmonteringsbase

TEKNISK DATABLAD: 8530889, 8530920, 8530921



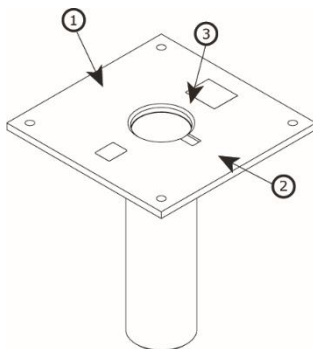
ANVENDELSE:

Davit-basen er designet til at blive brugt som et monteringspunkt for davit-systemet.

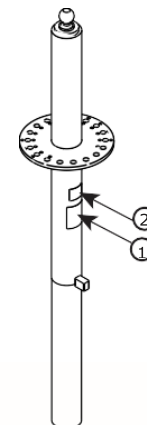
For mere information om produktinstallation, se brugsanvisningen.

Standarder: CEN/TS 16415:2013, EN795:2012 Type A, OSHA 1910.140, OSHA 1926.502

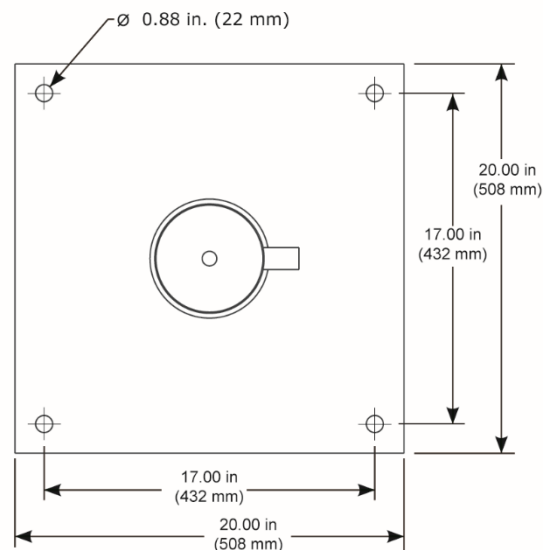
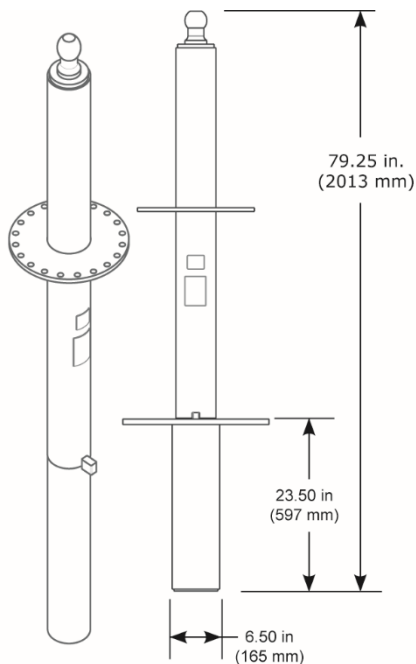
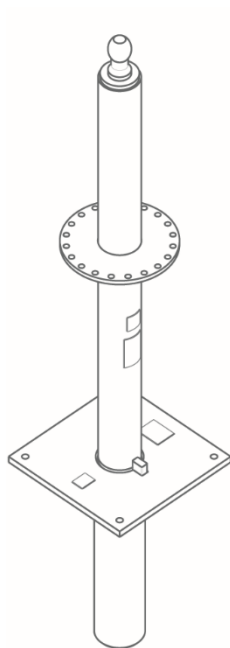
	Vægt
8530920	140 lb. (64 kg)



	Vægt
8530921	237 lb. (107 kg)



	Vægt
8530889	377 lb. (171 kg)

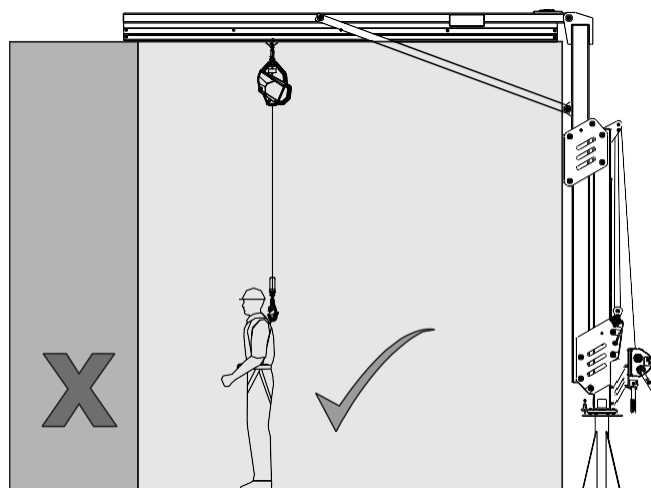
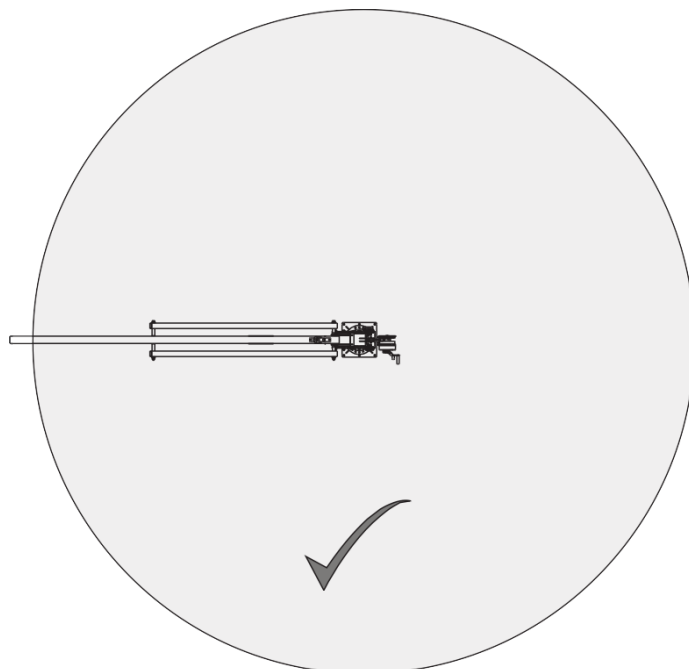


Komponentliste				
	Delnummer	Beskrivelse	Materiale	Mængde
1	9515114	Brugermærkat	Polyester	1
2	9514429	ID Mærkat	Polyester	1
3	8550165	Basehætte	Aluminium, Gummi	1

Monteringskrav	
Monteringsstruktur Minimum Momentbelastning	Monteringsstruktur Minimum Vertikal Belastning
501,633 in-lb. (56,677 N-m)	3,320 lb. (1,506 kg) + Basevægt + Vægt af M200 Jib Boom

ANVENDELSE:

Se diagrammet nedenfor for produktets arbejdsområde.



Gaffellomme Kit

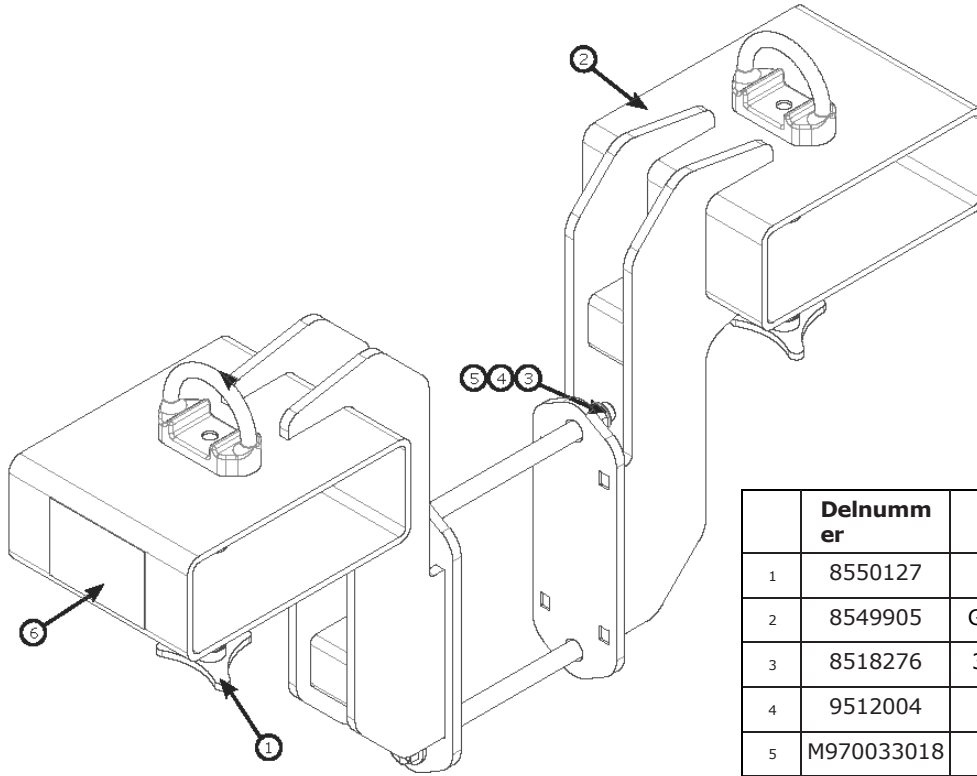
TEKNISK DATABLAD: 8530912



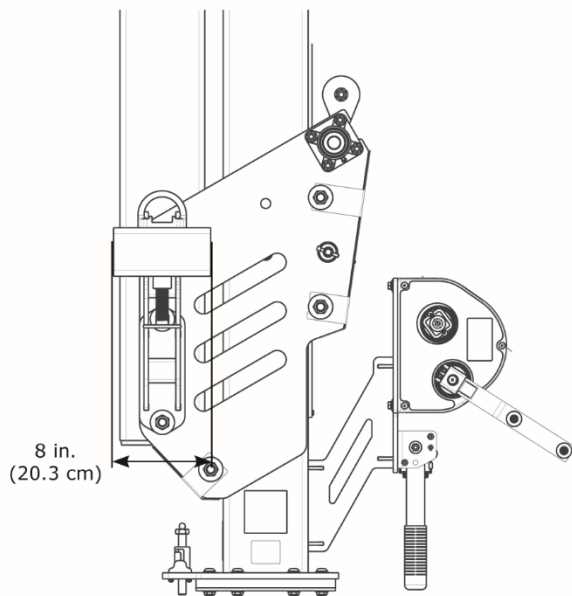
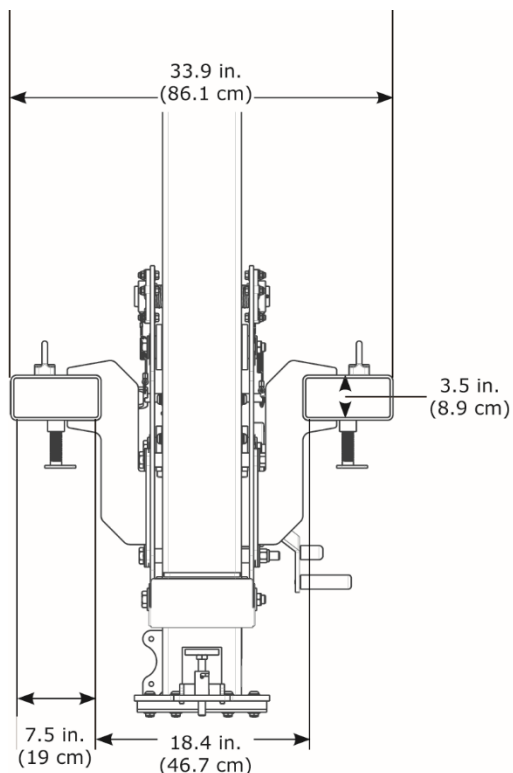
ANVENDELSE:

Denne gaffellomme kit-model er designet til at transportere de spilbetjente davit-modeller **8530891–8530898**.

For mere information om installation af komponenter, se brugsanvisningen.



	Delnumm er	Komponent	Mængde
1	8550127	Tre-Skrue	2
2	8549905	Gaffellomme Samling	2
3	8518276	3/4" Sekskantmøtrik	2
4	9512004	3/4" x 12" Bolt	2
5	M970033018	3/4" Skive	4
6	9515122	Brugermærkat	1
	9500146	Kædeled	2
	8517096	Kæde	10 ft.



Gaffellomme Kit

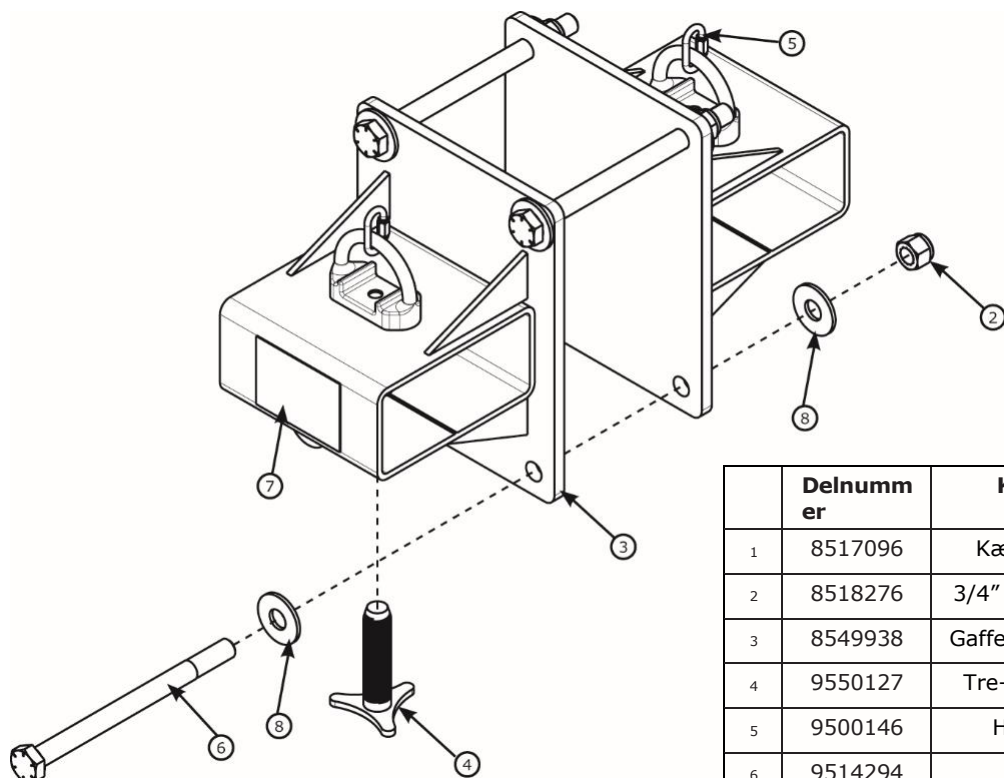
TEKNISK DATABLAD: 8530925



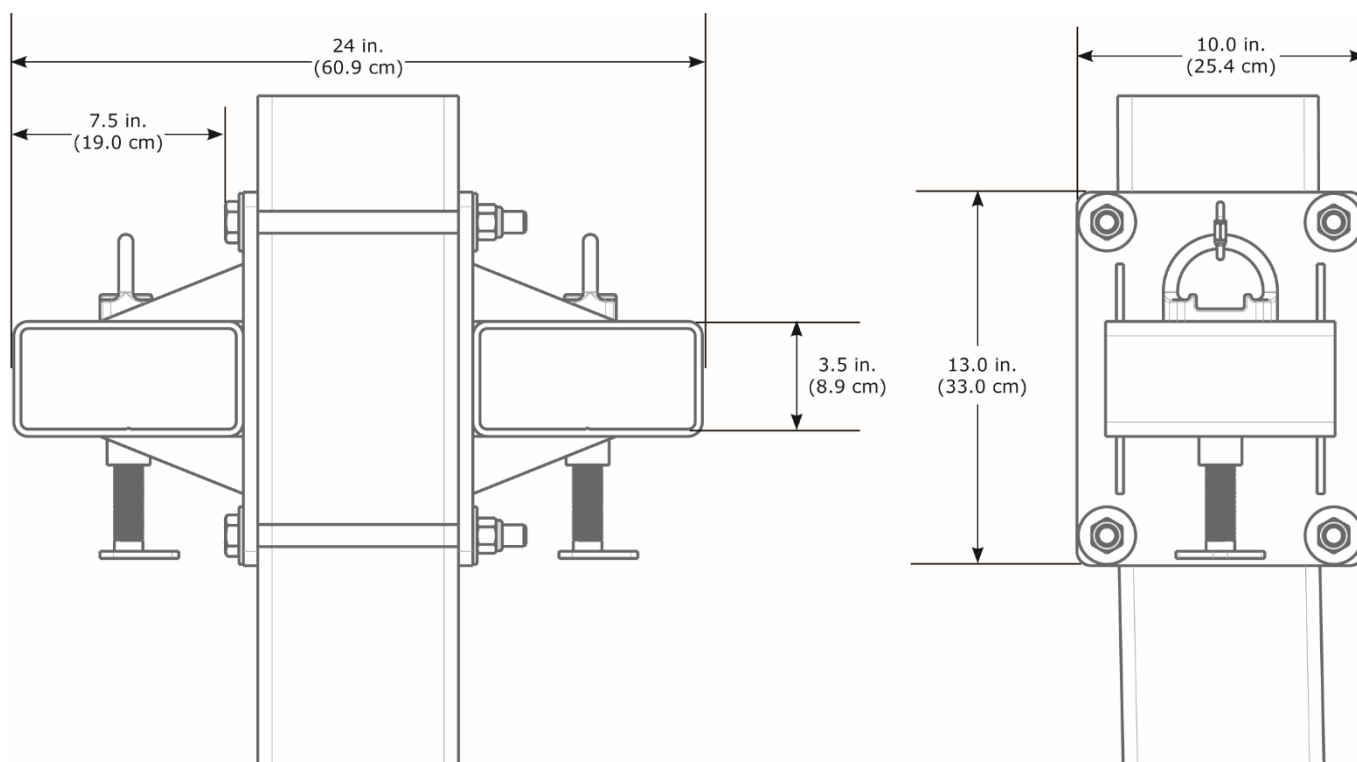
ANVENDELSE:

Denne gaffellomme kit-model er designet til at transportere davit med justeringskanal modellerne **8530899-8530904**.

For mere information om installation af komponenter, se brugsanvisningen.



	Delnum er	Komponent	Mængde
1	8517096	Kæde (ikke vist)	10 ft.
2	8518276	3/4" Sekskantmøtrik	4
3	8549938	Gaffellomme Samling	2
4	9550127	Tre-Skrue Samling	2
5	9500146	Hurtigkobling	2
6	9514294	3/4" Sekskanthovedbolt	4
7	9515573	Advarselsmærkat	1
8	M970033018	3/4" Skive	8



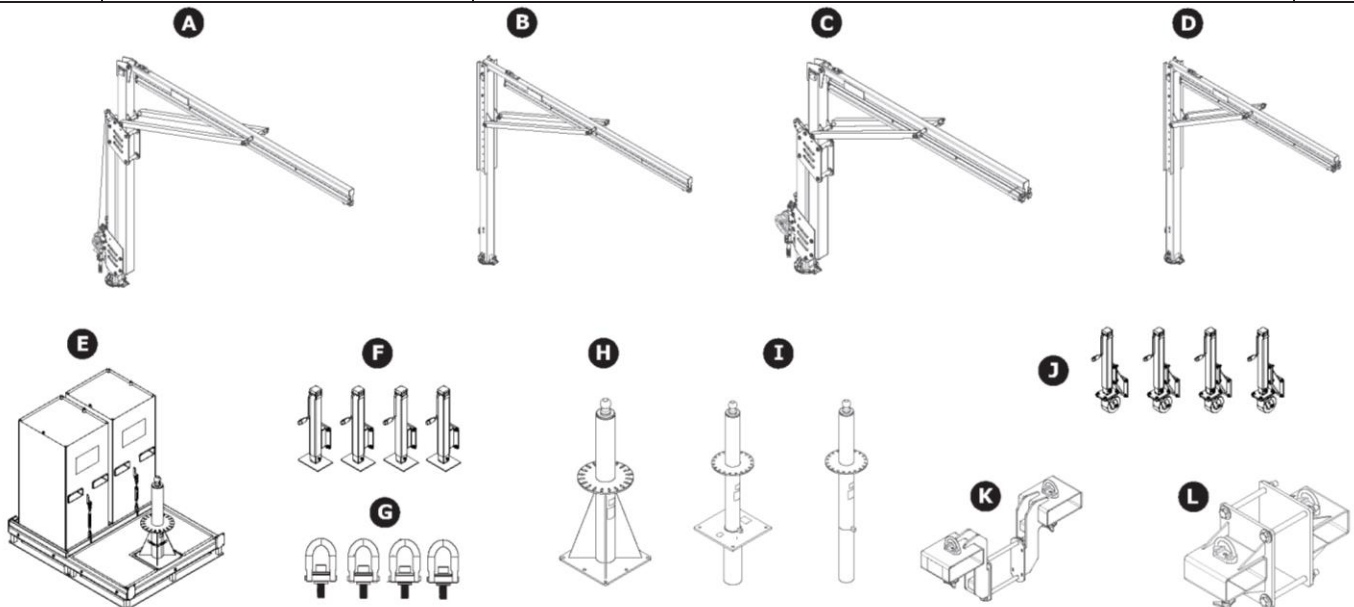


Fall Protection

3M™ DBI-SALA® M200 Davit-Systeme

Technisches Datenblatt-Paket 5908526 Rev. D

Hinweis	Technisches Datenblatt	Beschreibung	Seite
A	8530891	12.3 ft.–15 ft. (3.8 m–4.6 m) Auslegerarm frei höhenverstellbar	74
	8530892	14.8 ft.–20 ft. (4.5 m–6.1 m) Auslegerarm frei höhenverstellbar	74
	8530893	17.3 ft.–25 ft. (5.3 m–7.6 m) Auslegerarm frei höhenverstellbar	74
	8530894	19.8 ft.–30 ft. (6.1 m–9.1 m) Auslegerarm frei höhenverstellbar	74
B	8530899	15 ft.–20 ft. (4.6 m–6.1 m) Auslegerarm höhenvoreinstellbar	76
	8530900	20 ft.–25 ft. (6.1 m–7.6 m) Auslegerarm höhenvoreinstellbar	76
	8530901	25 ft.–30 ft. (7.6 m–9.1 m) Auslegerarm höhenvoreinstellbar	76
C	8530895	12.3 ft.–15 ft. (3.8 m–4.6 m) Auslegerarm frei höhenverstellbar	78
	8530896	14.8 ft.–20 ft. (4.5 m–6.1 m) Auslegerarm frei höhenverstellbar	78
	8530897	17.3 ft.–25 ft. (5.3 m–7.6 m) Auslegerarm frei höhenverstellbar	78
	8530898	19.8 ft.–30 ft. (6.1 m–9.1 m) Auslegerarm frei höhenverstellbar	78
D	8530902	15 ft.–20 ft. (4.6 m–6.1 m) Auslegerarm höhenvoreinstellbar	80
	8530903	20 ft.–25 ft. (6.1 m–7.6 m) Auslegerarm höhenvoreinstellbar	80
	8530904	25 ft.–30 ft. (7.6 m–9.1 m) Auslegerarm höhenvoreinstellbar	80
E	8530886	Gegengewichtsbasis ungefüllt	82
	8530887	Gegengewichtsbasis mit Beton Befüllt	82
F	8530907	Gegengewichts-Justiereinrichtung	84
G	8530777	Gegengewichts-Anschlagpunkte-Set	84
H	8530888	Basis für aufgesetzte Bodenmontage	86
I	8530889, 8530920, 8530921	Bais bündigt montiert	87
J	8530908	Heberollensatz zur Justierung	84
K	8530912	Transportvorrichtung für Gabelstaplernutzung für höhenverstellbare Auslegerarme	89
L	8530925	Transportvorrichtung für Gabelstaplernutzung für höhenvoreinstellbare Auslegerarme	90



Modularer Auslegerarm frei verstellbar

TECHNISCHES DATENBLATT: 8530891–8530894

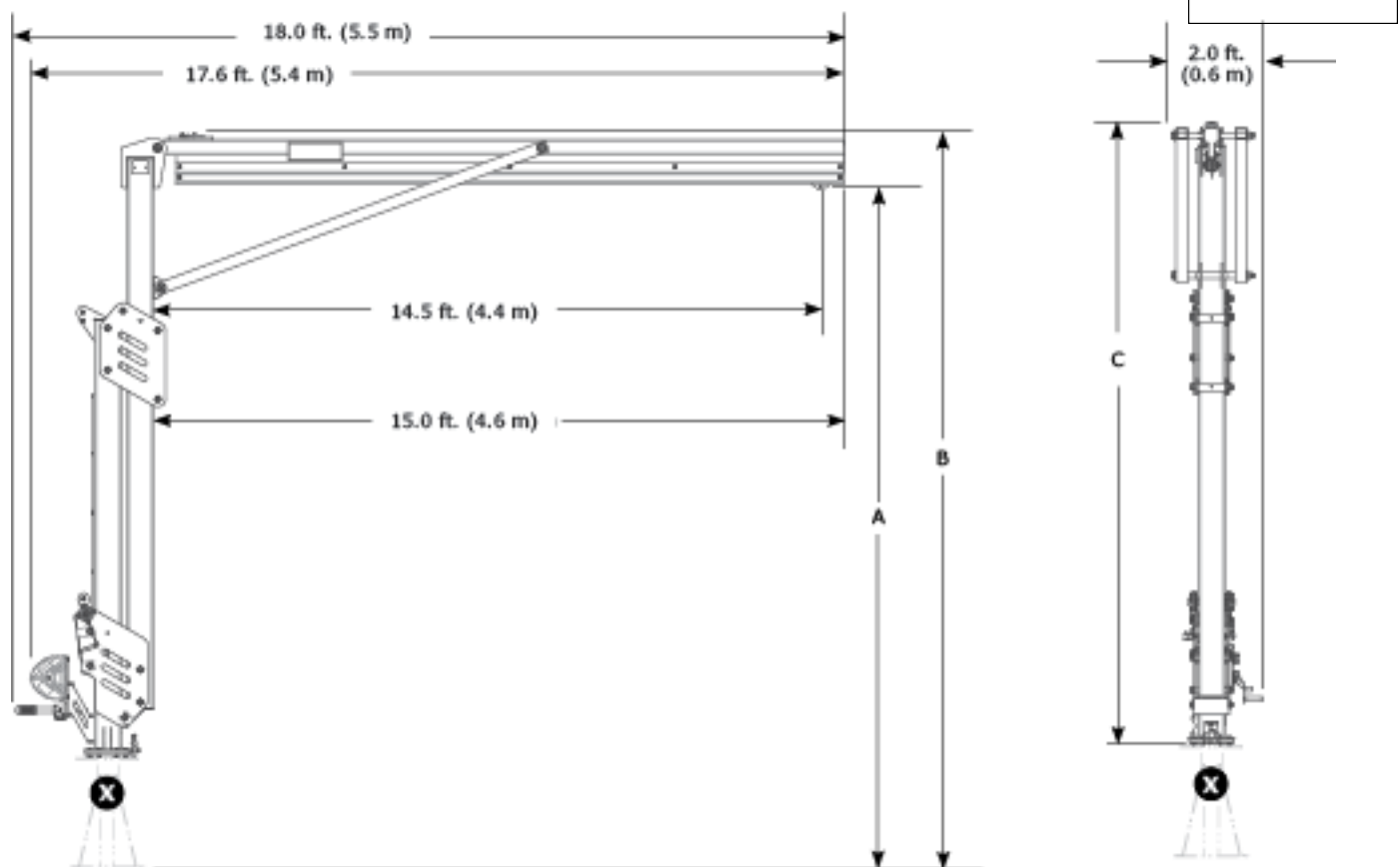


ANWENDUNG:

Der modulare Auslegerarm ist so konzipiert, dass er Anschlusspunkte für ein Absturzschutzsystem bietet.

Weitere Informationen zur Produktinstallation finden Sie im 3M-Benutzerhandbuch 5908372.

Standards: EN795:2012 Typ E, OSHA 1910.140, OSHA 1926.502



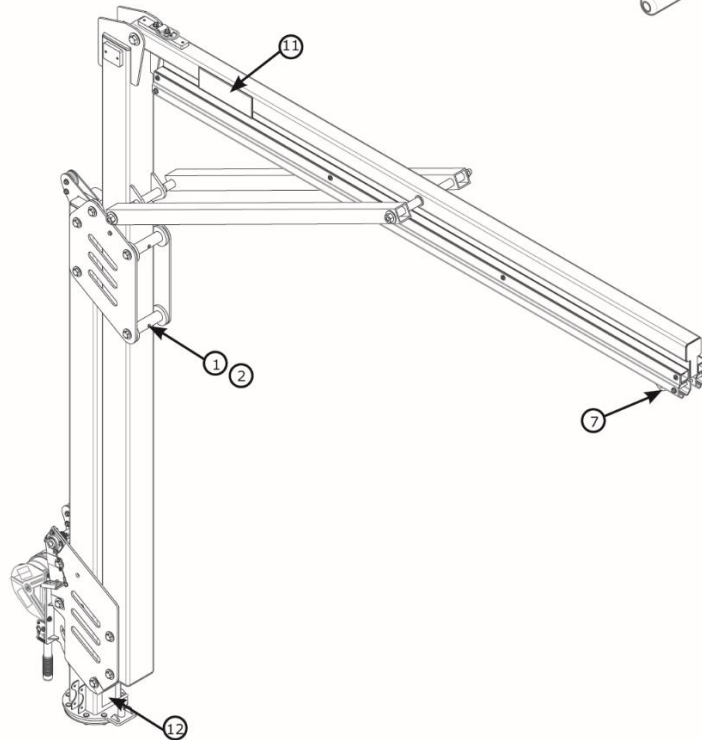
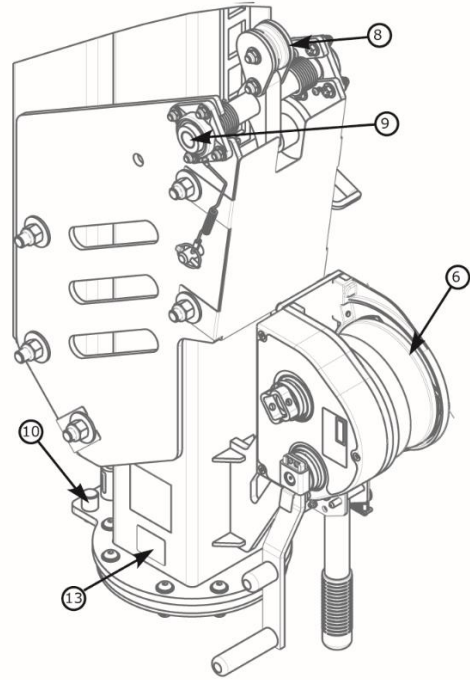
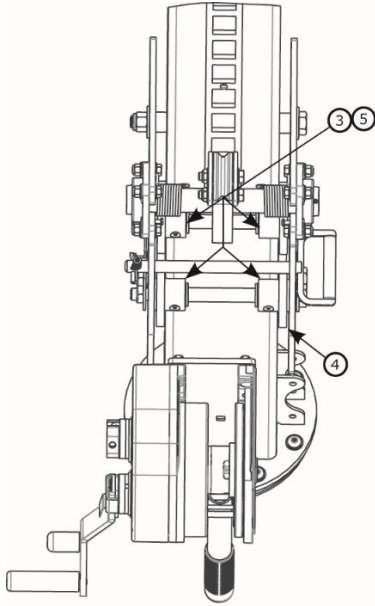
	A	B	C	lb. (kg)
8530891	12.3 ft. – 15.0 ft. (3.8 m – 4.6 m)	13.4 ft. – 16.1 ft. (4.1 m – 4.9 m)	9.8 ft. – 14.8 ft. (3.0 m – 4.5 ft.)	945 lb. (429 kg)
8530892	14.8 ft. – 20.0 ft. (4.5 m – 6.1 m)	15.9 ft. – 21.1 ft. (4.8 m – 6.4 m)	13.5 ft. – 18.7 ft. (4.1 m – 5.7 m)	1,057 lb. (479 kg)
8530893	17.3 ft. – 25.0 ft. (5.3 m – 7.6 m)	18.4 ft. – 26.1 ft. (5.6 m – 8.0 m)	16.0 – 23.7 ft. (4.9 m – 7.2 m)	1,169 lb. (530 kg)
8530894	19.8 ft. – 30.0 ft. (6.0 m – 9.1 m)	20.9 ft. – 31.1 ft. (6.4 m – 9.5 m)	18.5 ft. – 28.7 ft. (5.6 m – 8.7 m)	1,281 lb. (581 kg)

Komponenten des modularen frei höhenverstellbaren Auslegerarms

TECHNISCHES DATENBLATT: 8530891–8530894



Fall Protection



Komponentenliste				
	Teilenummer	Beschreibung	Material	Menge
1	8550046	Breite Rolle	Nylon	3
2	8550047	Breiter Rollendistanzhalter	304 Edelstahl	3
3	8550327	Schmale Rolle	Nylon	2
4	9514703	Seitenrolle	Nylon	8
5	8550213	Schmaler Rollendistanzhalter	304 Edelstahl	2
6	8549930	Winde	Stahl	1
7	8521711	Laufkatze	Stahl, Nylon	1

Komponentenliste				
	Teilenummer	Beschreibung	Material	Menge
8	8550223	Verriegelungsmechanismus (nur autorisierte Reparatur)	Stahl, Nylon	1
9	9515138	Lager	Stahl	2
10	8550398	Drehstopp	Aluminium	2
11	9515111	3M Etikett	Polyester	2
12	9515101	Drehetikett	Polyester	1
13	9514429	Typenschild	Polyester	1
14	9515112	Anwendungsetikett	Polyester	1

Modularer Auslegerarm, frei höhenvoreinstallbar
TECHNISCHES DATENBLATT: 8530899–8530901




ANWENDUNG:


Der modulare Auslegerarm ist so konzipiert, dass er Anschlusspunkte für ein Absturzsicherungssystem bietet.

Weitere Informationen zur Produktinstallation finden Sie im 3M-Benutzerhandbuch 5908372.

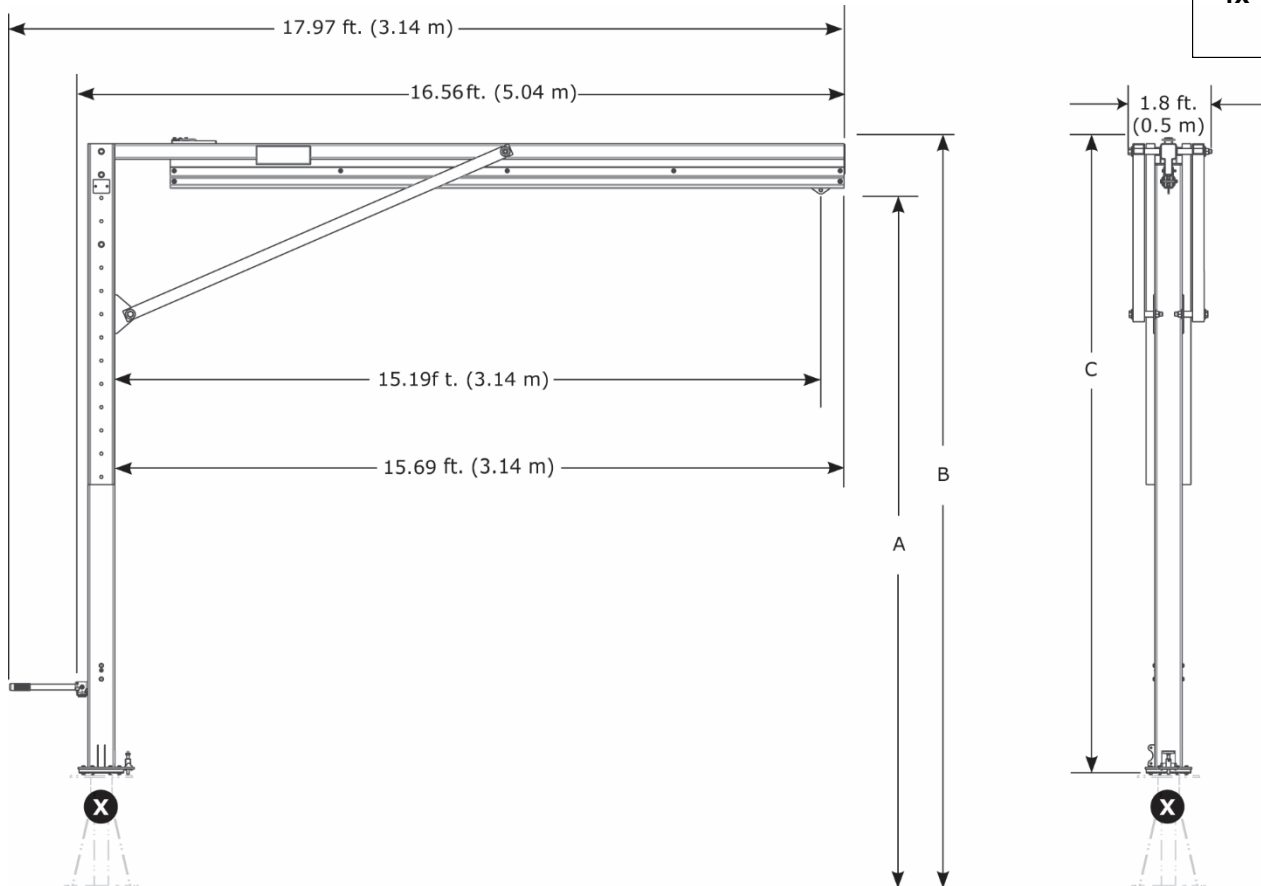
Standards: EN795:2012 Typ E, OSHA 1910.140, OSHA 1926.502.



≤ 1350 lb.
(6 kN)



1x ≤ 310 lb.
(140 kg)



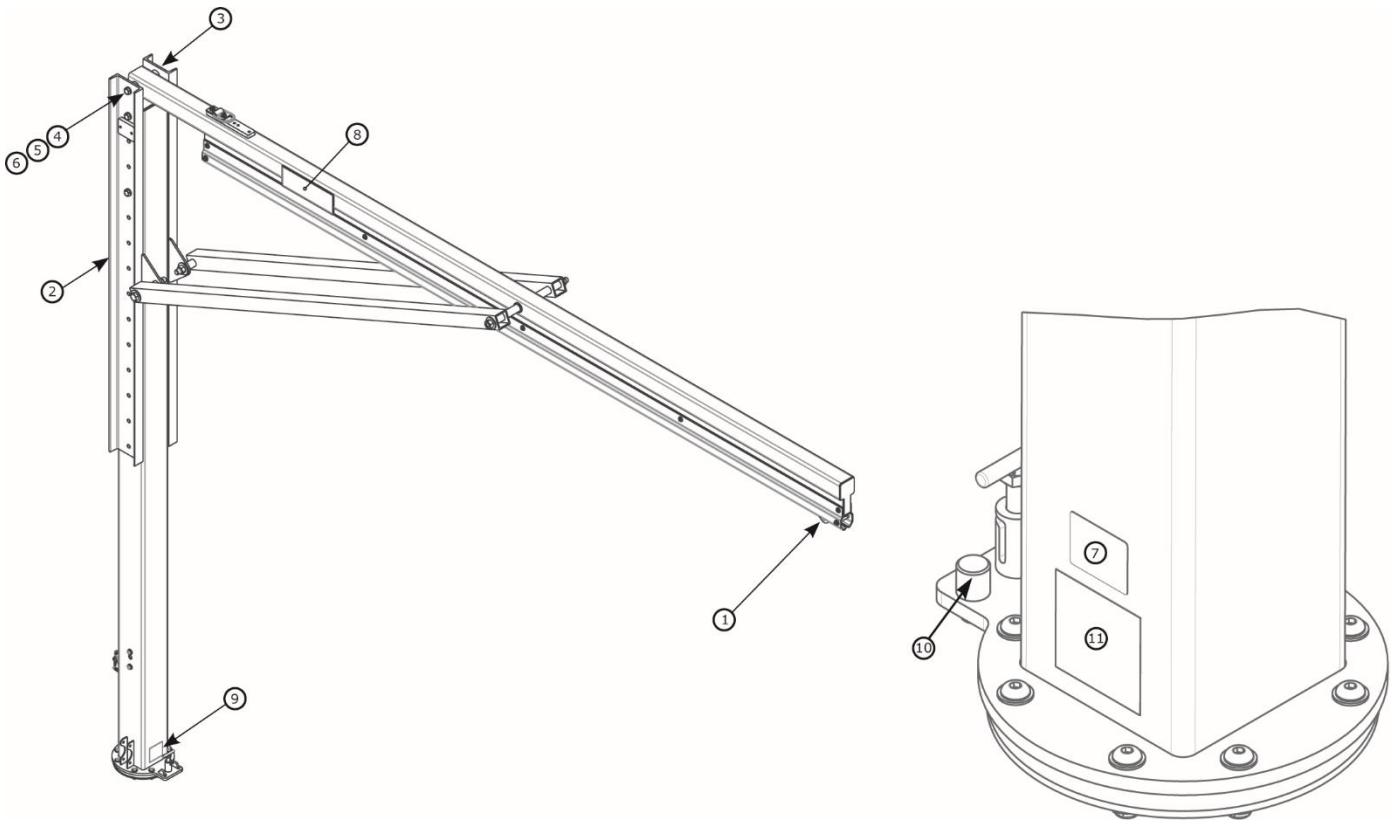
	A	B	C	lb. (kg)
8530899	15.0 ft. – 20.0 ft. (4.6 m – 6.1 m)	16.1 ft. – 21.1 ft. (4.9 m – 6.4 m)	13.7 ft. – 18.7 ft. (4.2 m – 5.7 m)	818 lb. (371 kg)
8530900	20.0 ft. – 25.0 ft. (6.1 m – 7.6 m)	21.1 ft. – 26.1 ft. (6.4 m – 7.9 m)	18.7 ft. – 23.7 ft. (5.7 m – 7.2 m)	930 lb. (422 kg)
8530901	25.0 ft. – 30.0 ft. (7.6 m – 9.1 m)	26.1 ft. – 31.1 ft. (7.9 m – 9.6 m)	23.7 ft. – 28.7 ft. (7.2 m – 8.7 m)	1,041 lb. (472 kg)
+6" (152 mm) Einstellungsstufen				

Komponenten des modularer Auslegerarms, frei höhenvoreinstellbar

TECHNISCHES DATENBLATT: 8530899-8530901



Fall Protection



	Teilenummer	Beschreibung	Material	Menge
1	8521711	Laufkatze	Edelstahl, Stahl, Nylon	1
2	8549933	Äußere Stütze, Hauptteil	Stahl	1
3	8550248	Äußere Stützhälfte, Gegenstück	Stahl	1
4	8526654	3/4" x 9" Schraube	Stahl	2
5	8522275	3/4" Unterlegscheibe	Stahl	4
6	8518276	3/4" Mutter	Stahl	2
7	9514429	Typenschild	Polyester	1

	Teilenummer	Beschreibung	Material	Menge
8	9515111	3M-Etikett	Polyester	2
9	9515101	Dreh-Etikett	Polyester	1
10	8550398	Drehstopp	Aluminium	2
11	9515112	Anwendungsetikett	Polyester	1

Modularer Auslegerarm, frei höhenverstellbar

TECHNISCHES DATENBLATT: 8530895–8530898



ANWENDUNG:

Der modulare Auslegerarm ist so konzipiert, dass er Anschlusspunkte für ein Absturzsicherungssystem bietet.

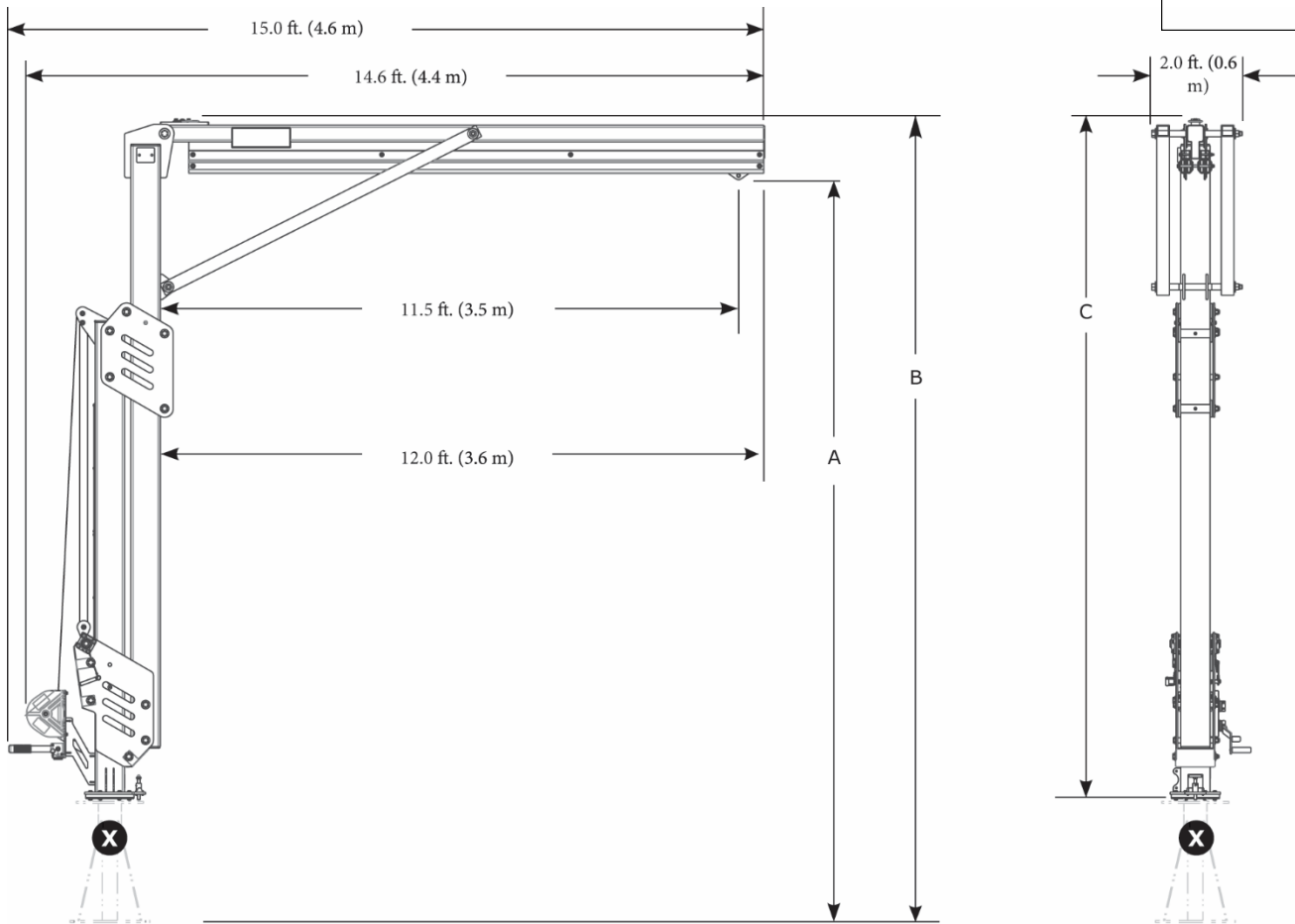
Weitere Informationen zur Produktinstallation finden Sie im 3M-Benutzerhandbuch 5908372.

Standards: CEN/TS 16415:2013 Typ E, EN795:2012 Typ E, OSHA 1910.140, OSHA 1926.502.

≤ 1350 lb.
(6 kN)

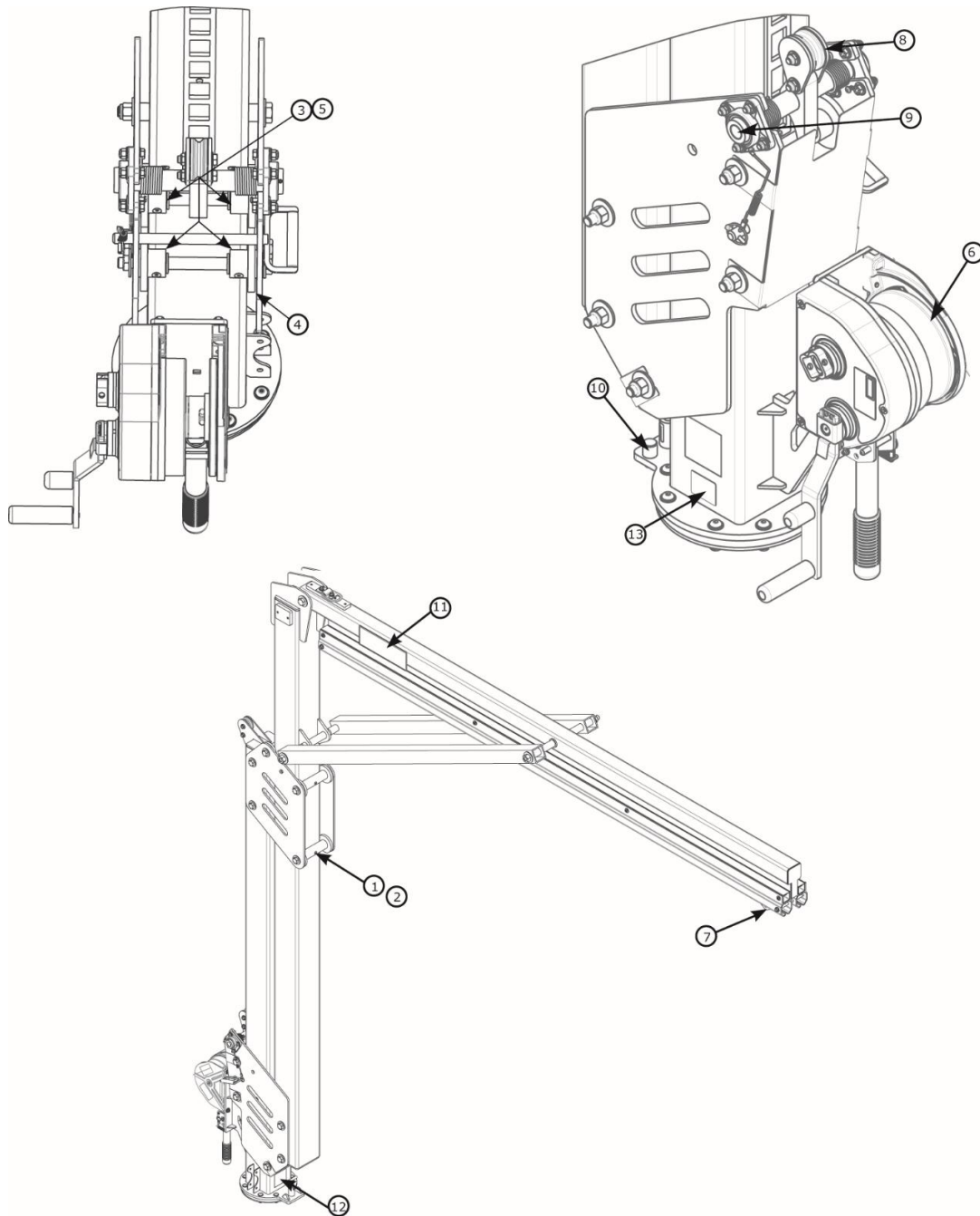
2x

≤ 310 lb.
(140 kg)



	A	B	C	lb. (kg)
8530895	12.3 ft. – 15.0 ft. (3.8 m – 4.6 m)	13.4 ft. – 16.1 ft. (4.1 m – 4.9 m)	11.0 ft. – 13.7 ft. (3.4 m – 4.2 ft.)	1,011 lb. (459 kg)
8530896	14.8 ft. – 20.0 ft. (4.5 m – 6.1 m)	15.9 ft. – 21.1 ft. (4.8 m – 6.4 m)	13.5 ft. – 18.7 ft. (4.1 m – 5.7 m)	1,123 lb. (509 kg)
8530897	17.3 ft. – 25.0 ft. (5.3 m – 7.6 m)	18.4 ft. – 26.1 ft. (5.6 m – 8.0 m)	16.0 – 23.7 ft. (4.9 m – 7.2 m)	1,235 lb. (560 kg)
8530898	19.8 ft. – 30.0 ft. (6.0 m – 9.1 m)	20.9 ft. – 31.1 ft. (6.4 m – 9.5 m)	18.5 ft. – 28.7 ft. (5.6 m – 8.7 m)	1,343 lb. (609 kg)

Modularer Auslegerarm, frei höhenverstellbar
Komponenten
TECHNISCHES DATENBLATT: 8530895–8530898



Komponentenliste				
	Teilenummer	Beschreibung	Material	Menge
1	8550046	Breite Rolle	Nylon	3
2	8550047	Breiter Rollendistanzhalter	304 Edelstahl	3
3	8550327	Schmale Rolle	Nylon	2
4	9514703	Seitenrolle	Nylon	8
5	8550213	Schmaler Rollendistanzhalter	304 Edelstahl	2
6	8549930	Winde	Stahl	1
7	8521711	Laufkatze	Stahl, Nylon	1

Komponentenliste				
	Teilenummer	Beschreibung	Material	Menge
8	8550223	Verriegelungsmechanismus (nur autorisierte Reparatur)	Stahl, Nylon	1
9	9515138	Lager	Stahl	2
10	8550398	Drehstopp	Aluminium	2
11	9515111	3M Etikett	Polyester	2
12	9515101	Dreh-Etikett	Polyester	1
13	9514429	Typenschild	Polyester	1
14	9515112	Anwendungsetikett	Polyester	1

Modularer Auslegerarm, höhenvoreinstallbar


TECHNISCHES DATENBLATT: 8530902–8530904




ANWENDUNG:

Der modulare Auslegerarm ist so konzipiert, dass er Anschlusspunkte für ein Absturzsicherungssystem bietet. Weitere Informationen zur Produktinstallation finden Sie im 3M-Benutzerhandbuch 5908372.

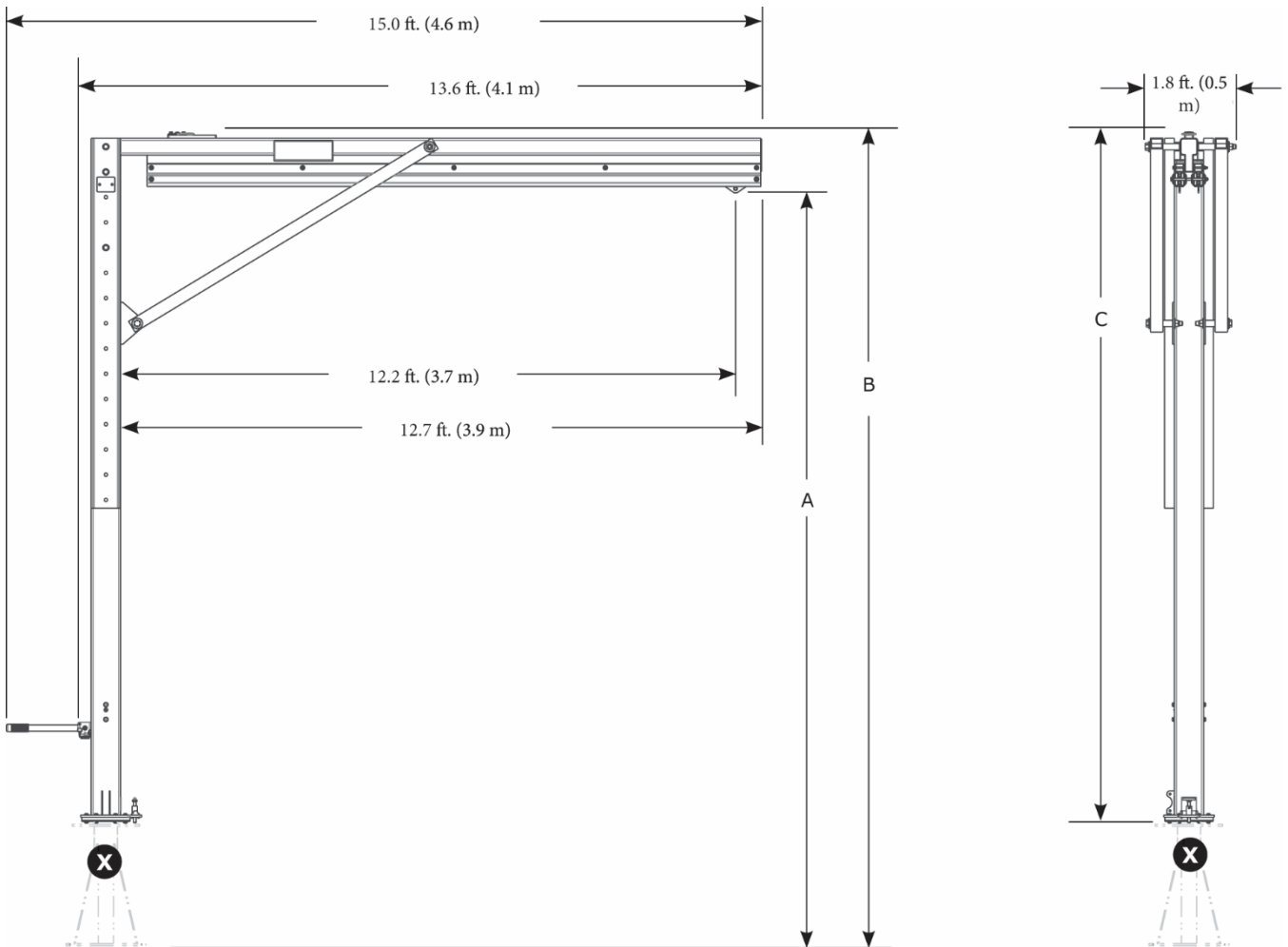
Standards: CEN/TS 16415:2013 Typ E, EN795:2012 Typ E, OSHA 1910.140, OSHA 1926.502.



≤ 1350 lb.
(6 kN)

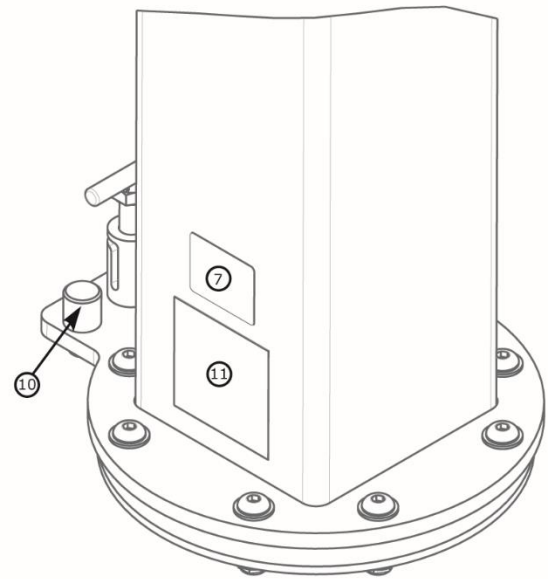
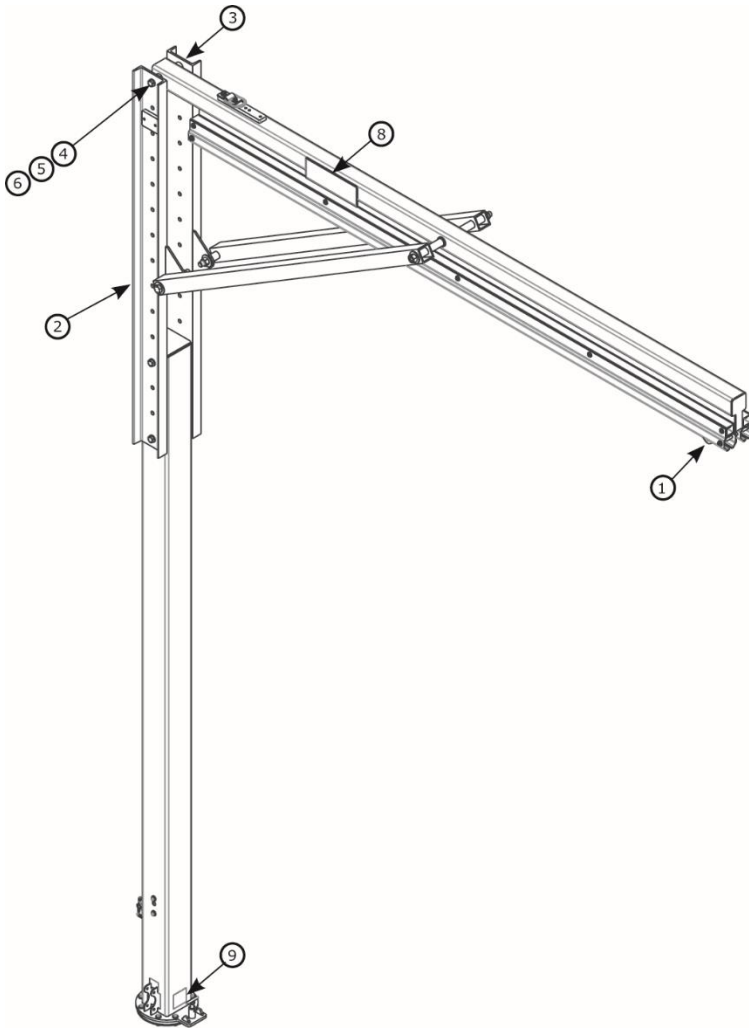


2x ≤ 310 lb.
(140 kg)



	A	B	C	lb. (kg)
8530902	15.0 ft. – 20.0 ft. (4.6 m – 6.1 m)	16.1 ft. – 21.1 ft. (4.9 m – 6.4 m)	13.7 ft. – 18.7 ft. (4.2 m – 5.7 m)	850 lb. (386 kg)
8530903	20.0 ft. – 25.0 ft. (6.1 m – 7.6 m)	21.1 ft. – 26.1 ft. (6.4 m – 7.9 m)	18.7 ft. – 23.7 ft. (5.7 m – 7.2 m)	961 lb. (436 kg)
8530904	25.0 ft. – 30.0 ft. (7.6 m – 9.1 m)	26.1 ft. – 31.1 ft. (7.9 m – 9.6 m)	23.7 ft. – 28.7 ft. (7.2 m – 8.7 m)	1,073 lb. (487 kg)

Modulare Auslegerarm, höhenvoreinstellbar
Komponenten
TECHNISCHES DATENBLATT: 8530902-8530904



	Teilenummer	Beschreibung	Material	Menge
1	8521711	Laufkatze	Edelstahl, Stahl, Nylon	1
2	8549933	Rettungsbe- stigungskanal	Stahl	1
3	8550248	Kanal	Stahl	1
4	8526654	3/4" x 9" Bolzen	Stahl	2
5	8522275	3/4" Unterlegscheibe	Stahl	4
6	8518276	3/4" Mutter	Stahl	2
7	9514429	Typenschild	Polyester	1

	Teilenummer	Beschreibung	Material	Menge
8	9515111	3M Etikett	Polyester	2
9	9515101	Rotationsetikett	Polyester	1
10	8550398	Rotationsstopp	Aluminium	2
11	9515112	Anwendungsetikett	Polyester	1

M200 Gegengewichtsbasis

TECHNISCHES DATENBLATT: 8530886, 8530887



ANWENDUNG:

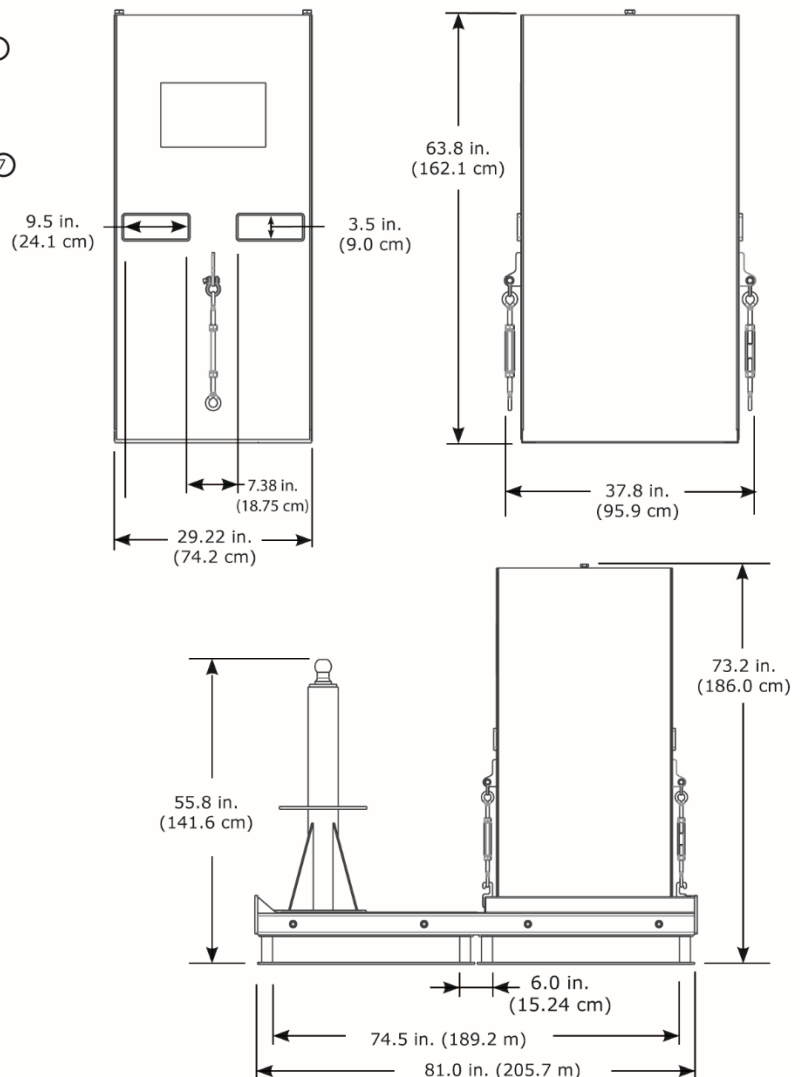
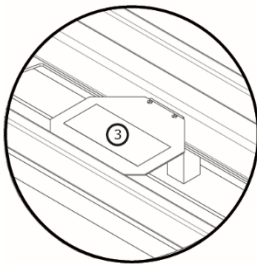
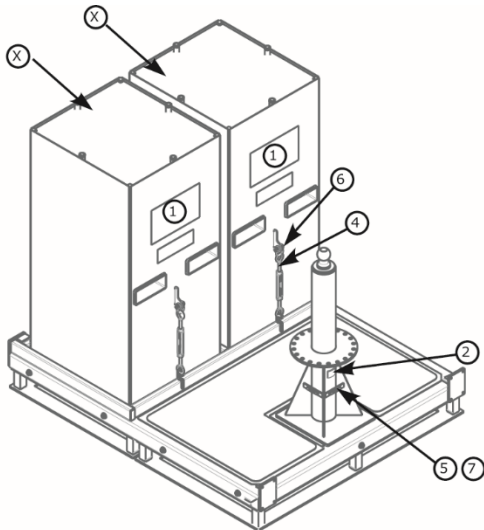
Die Gegengewichtsbasis ist dafür ausgelegt, mit Beton gefüllt zu werden und als Basis für das 3M™ DBI-SALA® Flexiguard™ Modular Jib System zu dienen.

Für weitere Informationen zur Produktinstallation beziehen Sie sich bitte auf das 3M-Handbuch 5908374.

Standards: CEN/TS 16415:2013 Typ E, EN795:2012 Typ E, OSHA 1910.140, OSHA 1926.502

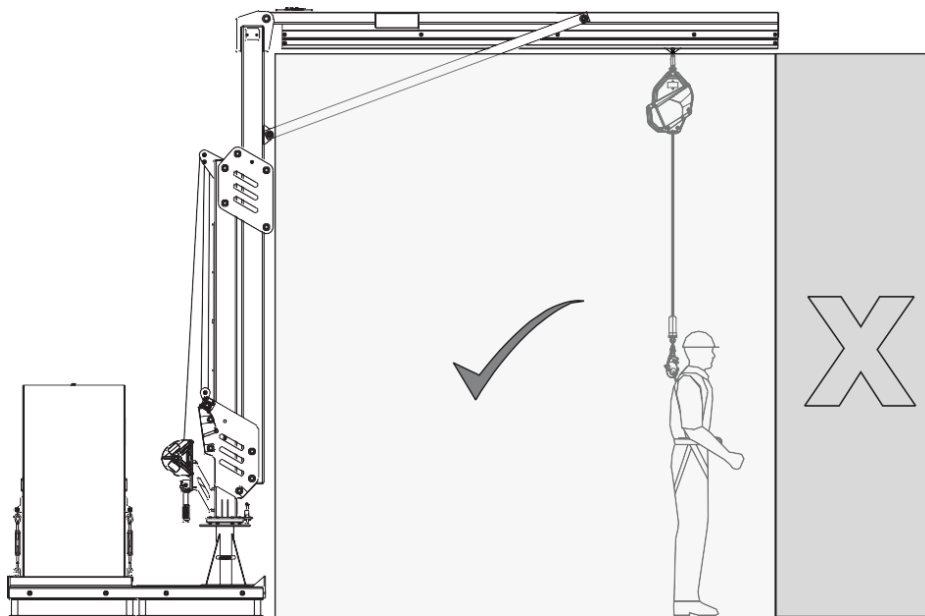
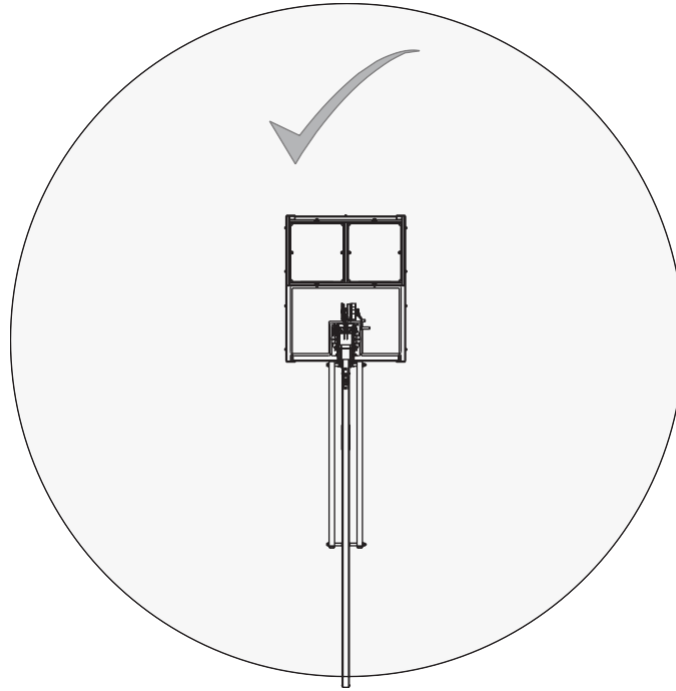
	X 4,000 psi (30 MPa)	Anforderungen an Ruhe- Strukturen	Nettogewicht
8530886		14,645 lb. (6,643 kg)	2,407 lb. (1,092 kg)
8530887	✓	+ Gewicht des M200-Auslegerarms	11,325 lb. (5,137 kg)

Komponentenliste				
	Teilenummer	Beschreibung	Material	Menge
1	9515107	Benutzeretikett	Polyester	1
2	9514429	Typenschild	Polyester	1
3	9515106	Warnetikett	Polyester	1
4	8520575	Spannschloss	Stahl	2
5	9513627	#4 Schraube	Stahl	4
6	9501794	Schäkel	Stahl	2
7	9515058	Libelle	Kunststoff	2
8	9515566	Warnetikett	Polyester	4



ANWENDUNG:

Siehe das untenstehende Diagramm für den Arbeitsbereich des Produkts.



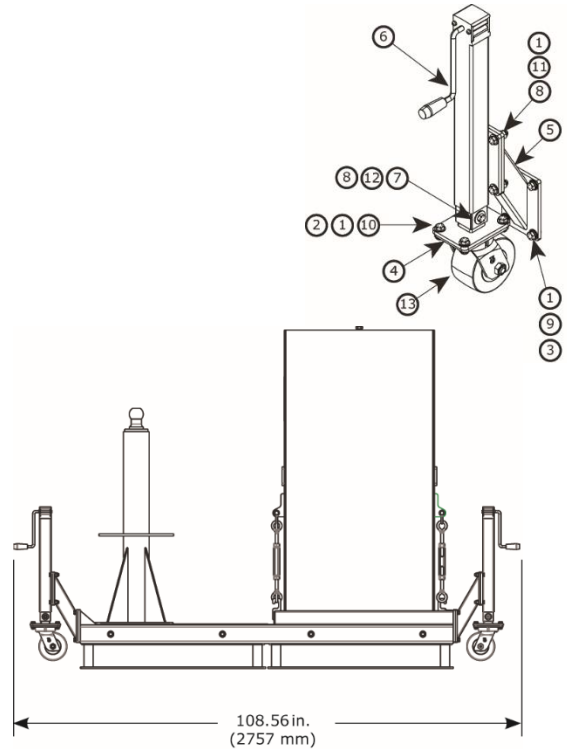
Zubehör für die M200-Gegengewichtsbasis

TECHNISCHES DATENBLATT: 8530907, 8530908, 8530777

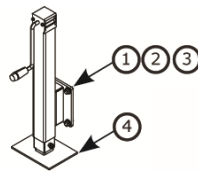


Fall Protection

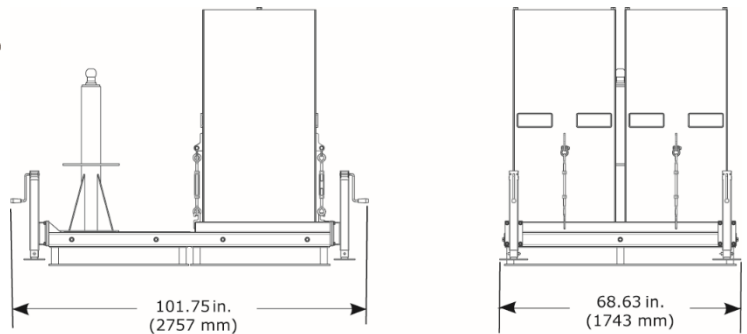
Komponentenliste				
	Teilenummer	Beschreibung	Material	Menge
1	8510037	1/2" Unterlegscheibe	Stahl	80
2	8512460	1/2" x 1 1/4" Schraube	Stahl	16
3	8518432	1/2" x 1" Schraube	Stahl	16
4	8550153	Trägerplatte für Rad	Stahl	4
5	8550155	Befestigungsträger	Stahl	4
6	8550156	Hubeinrichtung	Stahl	4
7	9501243	1/2" Unterlegscheibe	Stahl	8
8	9501831	1/2" Sechskantmutter	Stahl	20
9	9504221	1/2" Unterlegscheibe	Stahl	16
10	9504813	1/2" Sechskantmutter	Stahl	16
11	9509276	1/2" x 1 3/4" Schraube	Stahl	16
12	9510153	1/2" x 3 1/4" Schraube	Stahl	4
13	9515081	Lenkrolle	Stahl, Urethan	4



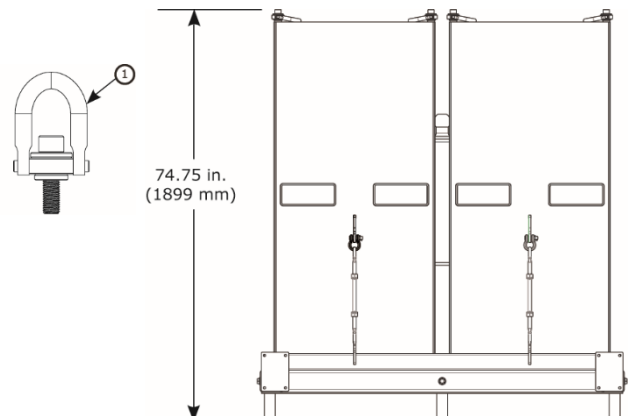
	8530907	8530908	8530777
Gewicht	108 lb. (49 kg)	152 lb. (69 kg)	12 lb. (5.4 kg)



	Teilenummer	Beschreibung	Material	Menge
1	9504221	1/2" Federscheibe	Stahl	16
2	8510037	1/2" Unterlegscheibe	Stahl	16
3	8518432	1/2" x 1" Schraube	Stahl	16
4	8550177	Rad-Schweißbaugruppe	Stahl	4



Komponentenliste				
	Teilenummer	Beschreibung	Material	Menge
1	9512574	Gegengewichts-Anschlagpunkte	Stahl	4





M200-Gegengewichtsbasis Schwerpunkt

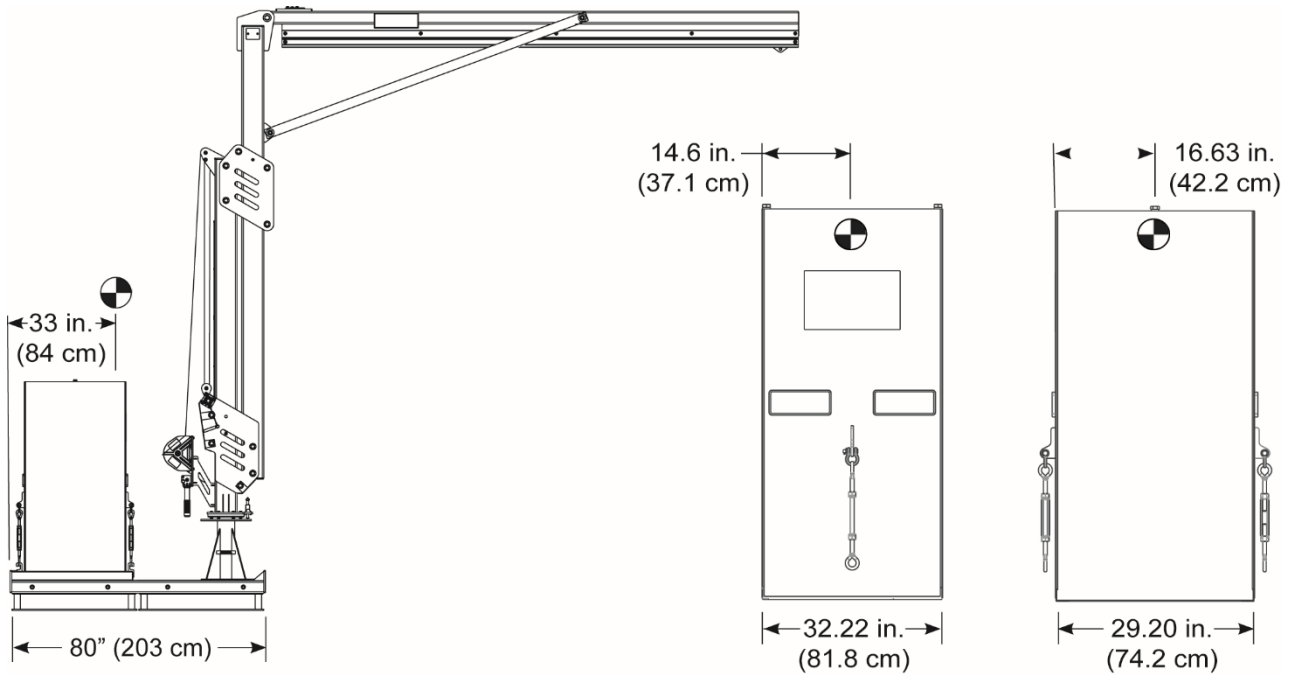
TECHNISCHES DATENBLATT: 8530886, 8530887

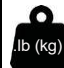



Fall Protection

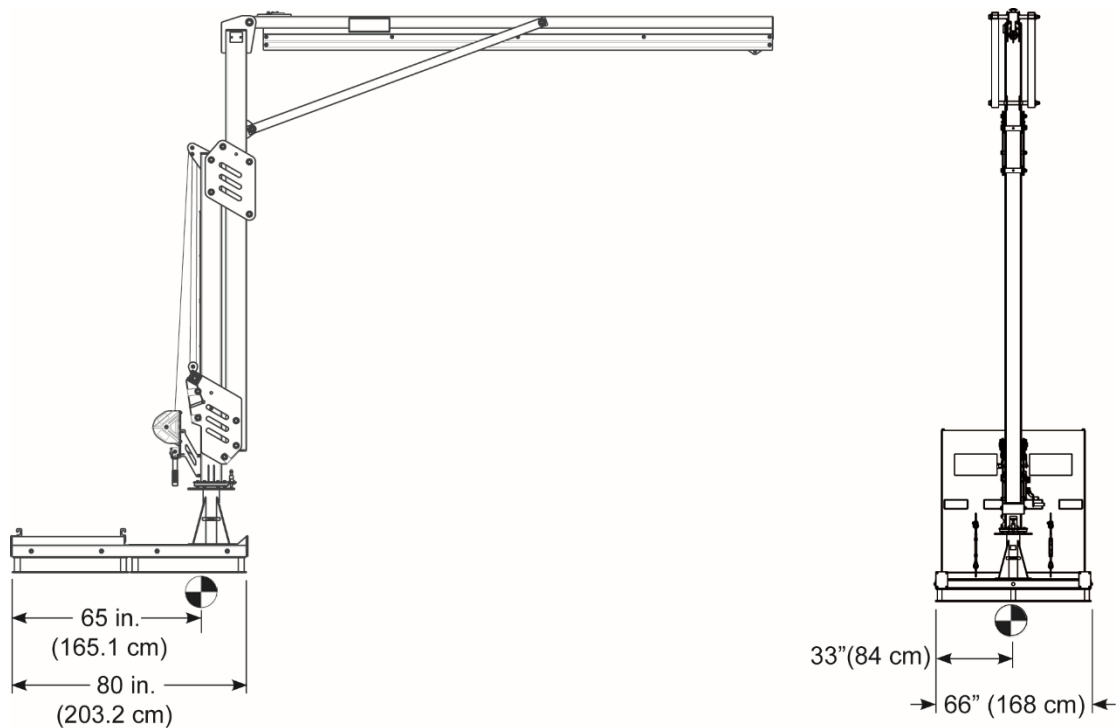
8530887	8530898
 .lb (kg)	12,668 lbs. (5,746 kg)

 .lb (kg)	5,000 lbs. (2,268 kg)
--	--------------------------



8530887	8530898
 .lb (kg)	2,668 lbs. (1,210 kg)

8530887	8530898
 .lb (kg)	12,668 lbs. (5,746 kg)



M200 Basis für aufgesetzte Bodenmontage

TECHNISCHES DATENBLATT: 8530888



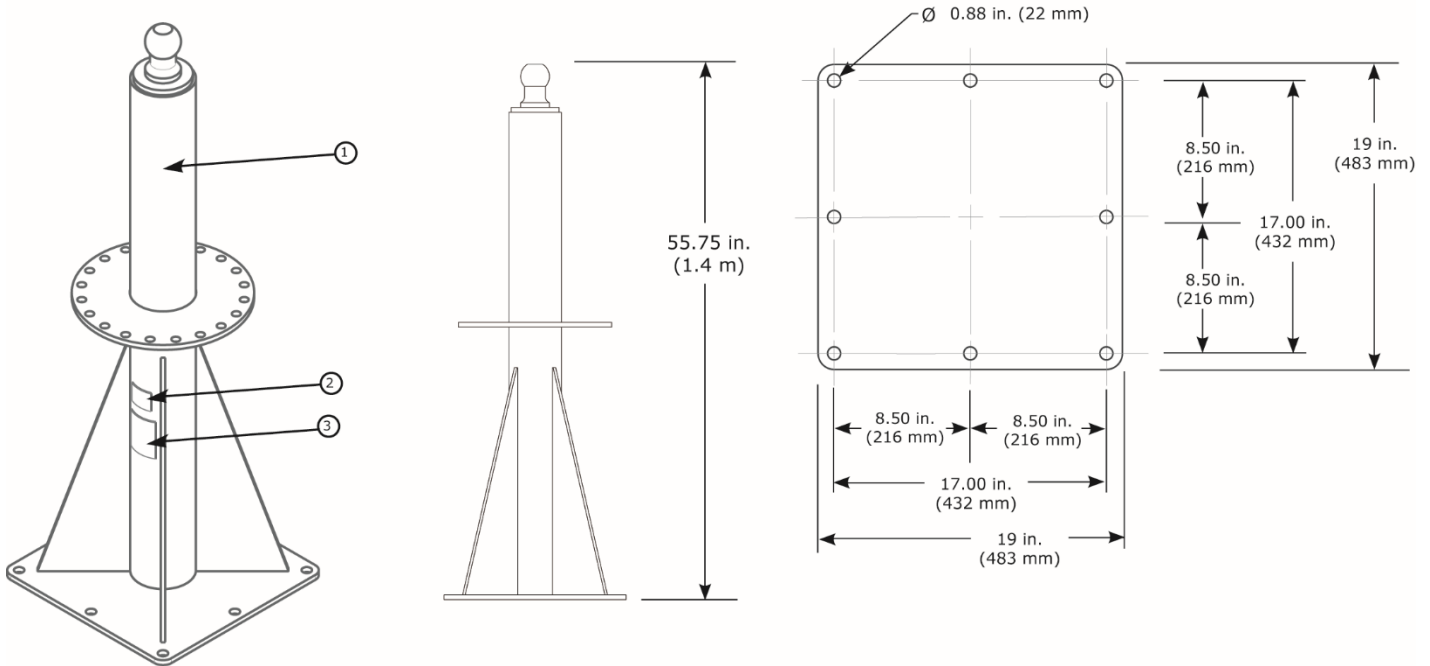
ANWENDUNG:

Die Basis für aufgesetzte Bodenmontage ist dafür ausgelegt, auf tragfähigen Untergründen verankert zu werden und als Befestigungspunkt für das von 3M zugelassene modulare Auslegersystem zu dienen.

Für weitere Informationen zur Produktinstallation siehe die 3M Bedienungsanleitung 5908375.

Standards: CEN/TS 16415:2013 Typ A, EN795:2012 Typ A, OSHA 1910.140, OSHA 1926.502

	Nettogewicht
8530888	265 lb. (120 kg)



Komponentenliste				
	Teilenummer	Beschreibung	Material	Menge
1	8549921	Basis-Schweißbaugruppe	Stahl	1
2	9514429	Typenschild	Polyester	1
3	9515114	Benutzeretikett	Polyester	1

Montageanforderungen		
Minimale Ausziehkraft der bauseitigen Befestigungselemente	Minimale Momentenbelastung der Montagekonstruktion	Minimale Vertikallast der Montagekonstruktion
9,386 lb. (4,257 kg)	501,633 in.-lb. (56,677 N-m)	3,320 lb. (1,506 kg) + Basisgewicht + Gewicht des M200-Auslegerarms

M200 Basis, bündig montiert

TECHNISCHES DATENBLATT: 8530889, 8530920, 8530921



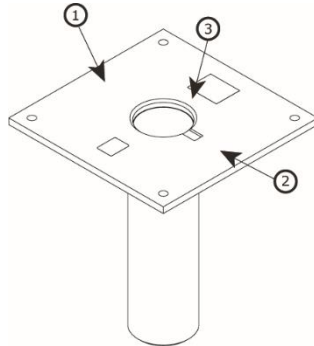
ANWENDUNG:

Die bündige Montagebasis ist dafür ausgelegt, in tragfähigen Untergründen verankert zu werden und als Befestigungsbasis für das von 3M zugelassene modulare Auslegersystem verwendet zu werden.

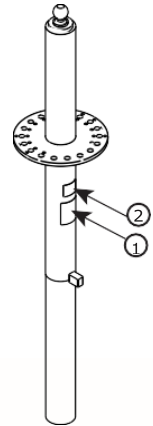
Für weitere Informationen zur Produktinstallation siehe die 3M Bedienungsanleitung 5908375.

Standards: CEN/TS 16415:2013, EN795:2012 Typ A, OSHA 1910.140, OSHA 1926.502

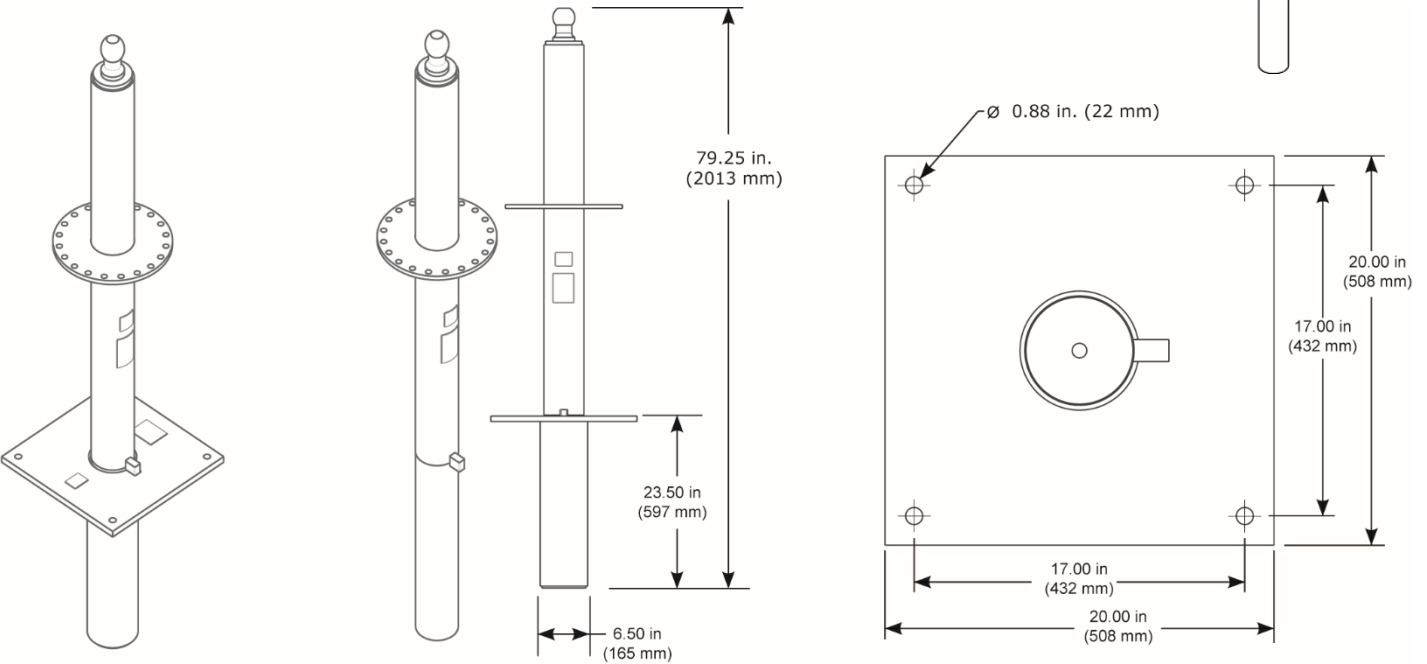
	Nettogewicht
8530920	140 lb. (64 kg)



	Nettogewicht
8530921	237 lb. (107 kg)



	Nettogewicht
8530889	377 lb. (171 kg)

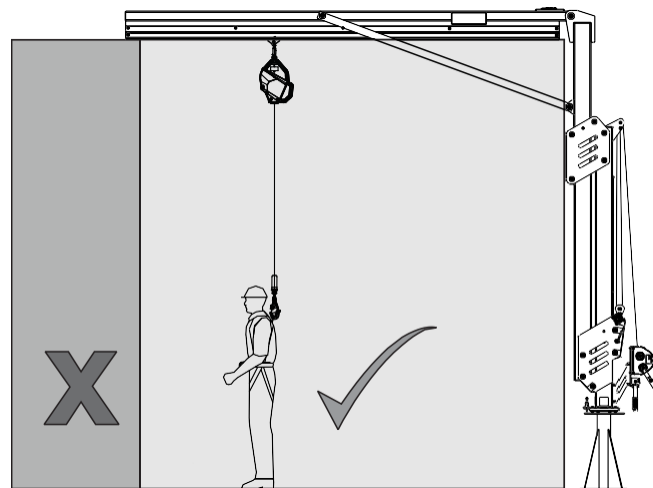
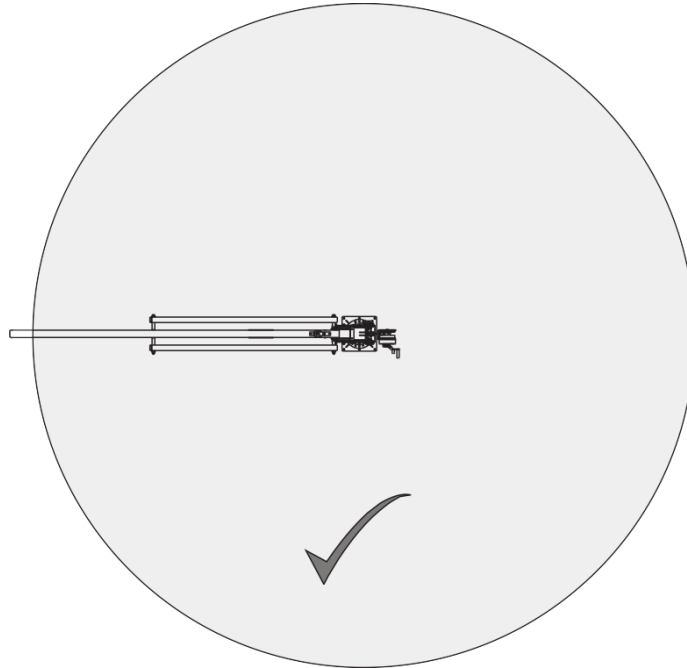


Komponentenliste				
	Teilenummer	Beschreibung	Material	Menge
1	9515114	Anwendungsetikett	Polyester	1
2	9514429	Typenschild	Polyester	1
3	8550165	Deckel	Aluminium, Gummi	1

Montageanforderungen	
Minimale Momentenbelastung der Montagekonstruktion	Minimale Vertikallast der Montagekonstruktion
501,633 in-lb. (56,677 N-m)	3,320 lb. (1,506 kg) + Basisgewicht + Gewicht des M200-Auslegerarms

ANWENDUNG:

Siehe das untenstehende Diagramm für den Arbeitsbereich des Produkts.



Fork Pocket Kit

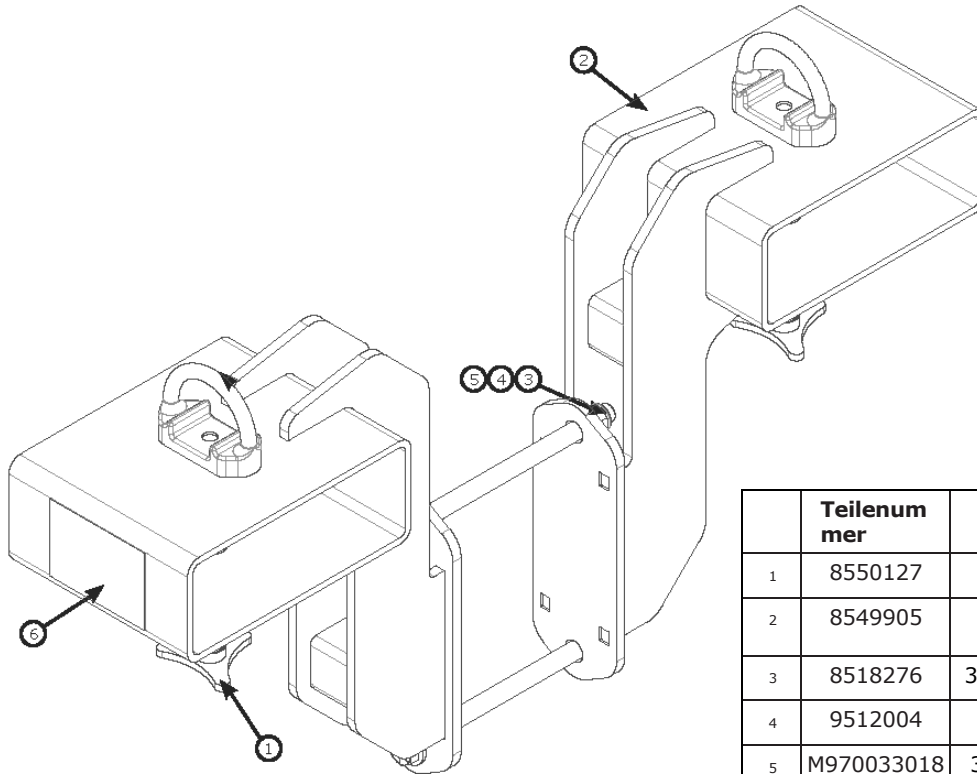
TECHNISCHES DATENBLATT: 8530912



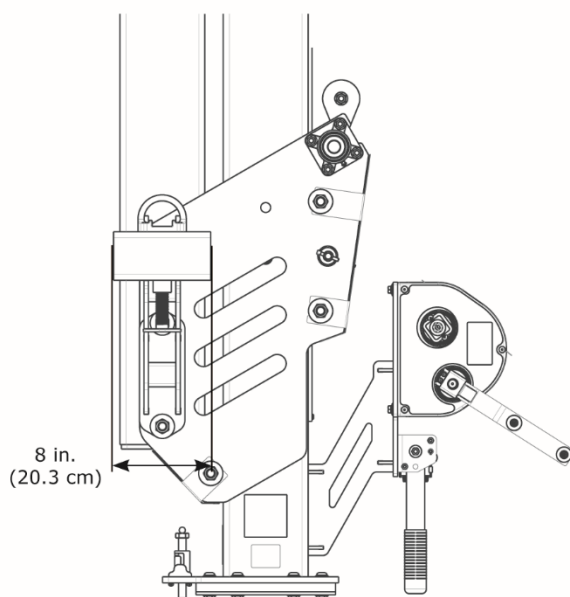
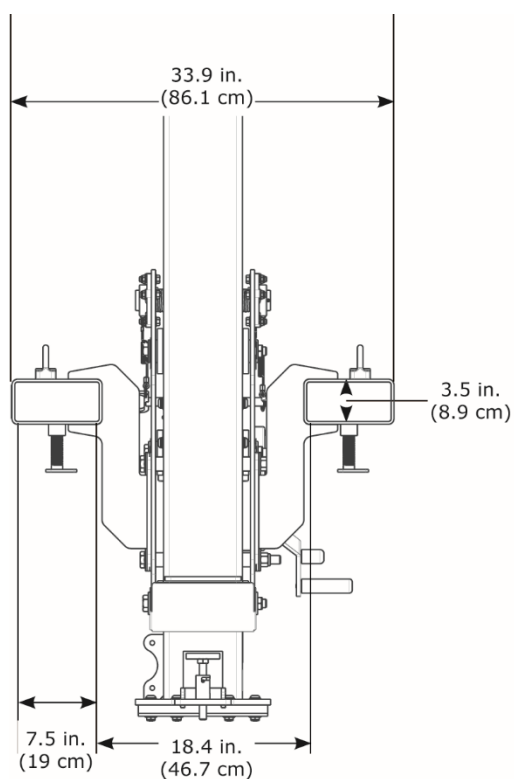
ANWENDUNG:

Diese Trabsportvorrichtung für Gabelstaplernutzung ist dafür ausgelegt, die frei höhenverstellbaren Auslegerarm-Modelle **8530891–8530898** zu transportieren.

Für weitere Informationen zur Installation der Komponenten siehe die 3M-Bedienungsanleitung 5908372.



	Teilenummer	Component	Menge
1	8550127	Drei-Schraube	2
2	8549905	Gabeltaschen-Schweißbaugruppe	2
3	8518276	3/4" Sechskantmutter	2
4	9512004	3/4" x 12" Bolzen	2
5	M970033018	3/4" Unterlegscheibe	4
6	9515122	Benutzeretikett	1
	9500146	Kettenglied	2
	8517096	Kette	10 ft.



Transportvorrichtung für Gabelstaplernutzung

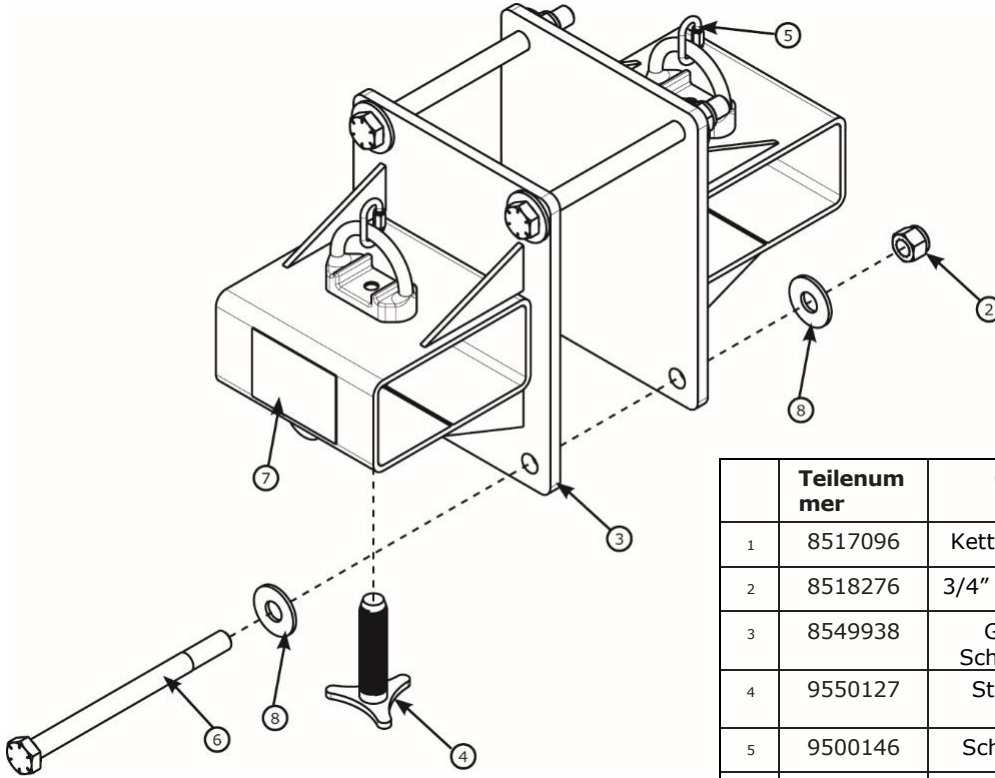
TECHNISCHES DATENBLATT: 8530925



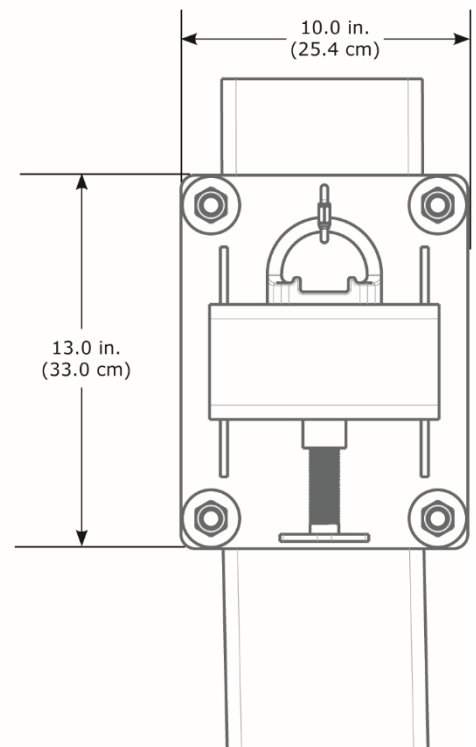
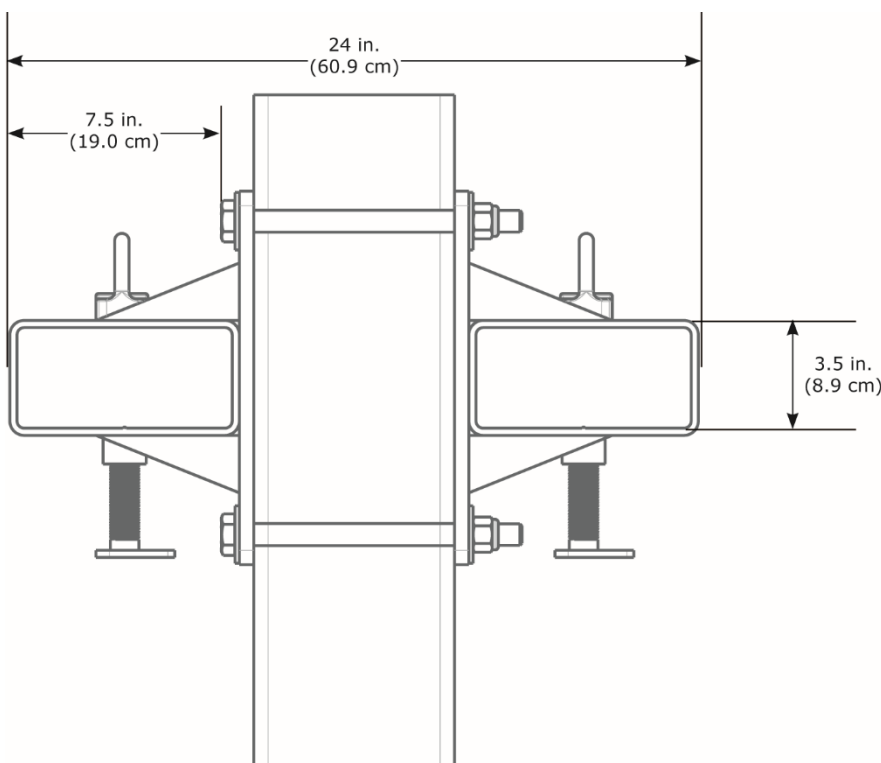
ANWENDUNG:

Diese Transportvorrichtung für Gabelstaplernutzung ist dafür ausgelegt, die höhenverstellbaren Auslegerarme **8530899-8530904** zu transportieren.

Für weitere Informationen zur Installation der Komponenten siehe die 3M Bedienungsanleitung 5908372.



	Teilenummer	Component	Menge
1	8517096	Kette (nicht gezeigt)	10 ft.
2	8518276	3/4" Sechskantmutter	4
3	8549938	Gabeltaschen-Schweißbaugruppe	2
4	9550127	Sternschrauben-Schweißteil	2
5	9500146	Schnellverbindung	2
6	9514294	3/4" Sechskantschraube	4
7	9515573	Warnetikett	1
8	M970033018	3/4" Unterlegscheibe	8



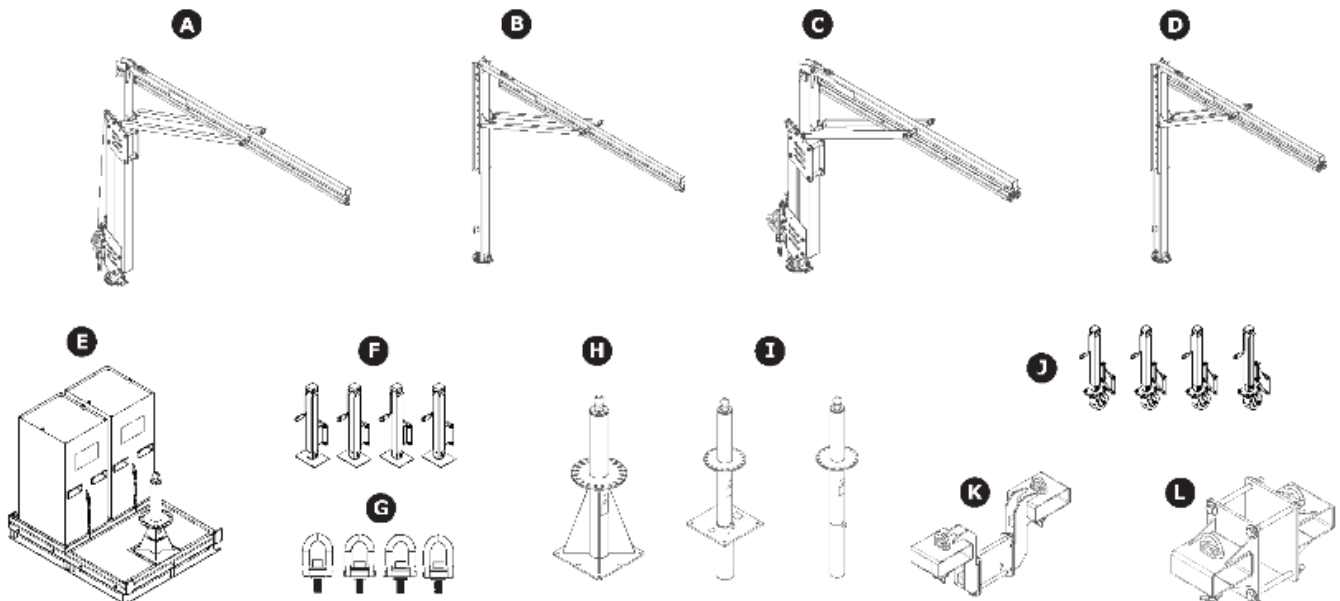


Fall Protection

3M™ DBI-SALA® Συστήματα Davit M200

Πακέτο Τεχνικού Δελτίου Δεδομένων
5908526 Rev. D

Επισήμανση	Τεχνικό Δελτίο Δεδομένων	Περιγραφή	Σελίδα
A	8530891	Ρυθμιζόμενος Γερανός 12,3 ft.–15 ft. (3,8 m–4,6 m)	92
	8530892	Ρυθμιζόμενος Γερανός 14,8 ft.–20 ft. (4,5 m–6,1 m)	92
	8530893	Ρυθμιζόμενος Γερανός 17,3 ft.–25 ft. (5,3 m – 7,6 m)	92
	8530894	Ρυθμιζόμενος Γερανός 19,8 ft.–30 ft. (6,1 m–9,1 m)	92
B	8530899	Ημι-Σταθερός Γερανός 15 ft.–20 ft. (4,6 m–6,1 m)	94
	8530900	Ημι-Σταθερός Γερανός 20 ft.–25 ft. (6,1 m–7,6 m)	94
	8530901	Ημι-Σταθερός Γερανός 25 ft.–30 ft. (7,6 m–9,1 m)	94
C	8530895	Ρυθμιζόμενος Γερανός 12,3 ft.–15 ft. (3,8 m–4,6 m)	96
	8530896	Ρυθμιζόμενος Γερανός 14,8 ft.–20 ft. (4,5 m–6,1 m)	96
	8530897	Ρυθμιζόμενος Γερανός 17,3 ft.–25 ft. (5,3 m – 7,6 m)	96
	8530898	Ρυθμιζόμενος Γερανός 19,8 ft.–30 ft. (6,1 m–9,1 m)	96
D	8530902	Ημι-Σταθερός Γερανός 15 ft.–20 ft. (4,6 m–6,1 m)	98
	8530903	Ημι-Σταθερός Γερανός 20 ft.–25 ft. (6,1 m–7,6 m)	98
	8530904	Ημι-Σταθερός Γερανός 25 ft.–30 ft. (7,6 m–9,1 m)	98
E	8530886	Βάση Αντίβαρου Χωρίς Γέμισμα	100
	8530887	Βάση Αντίβαρου Με Γέμισμα	100
F	8530907	Γρύλοι Βάσης Αντίβαρου	102
G	8530777	Δακτύλιοι Ανύψωσης Βάσης Αντίβαρου	102
H	8530888	Βάση Δαπέδου	104
I	8530889, 8530920, 8530921	Βάση Ενσωμάτωσης	105
J	8530908	Τροχοί Βάσης Αντίβαρου	102
K	8530912	Σετ Θήκης Πιρουιού	107
L	8530925	Σετ Θήκης Πιρουιού	108



Ρυθμιζόμενος Γερανός

ΤΕΧΝΙΚΟ ΔΕΛΤΙΟ ΔΕΔΟΜΕΝΩΝ: 8530891-8530894



ΕΦΑΡΜΟΓΗ:

Ο γερανός έχει σχεδιαστεί για να παρέχει σημεία σύνδεσης αγκύρωσης για ένα σύστημα Προστασίας από Πτώσεις.

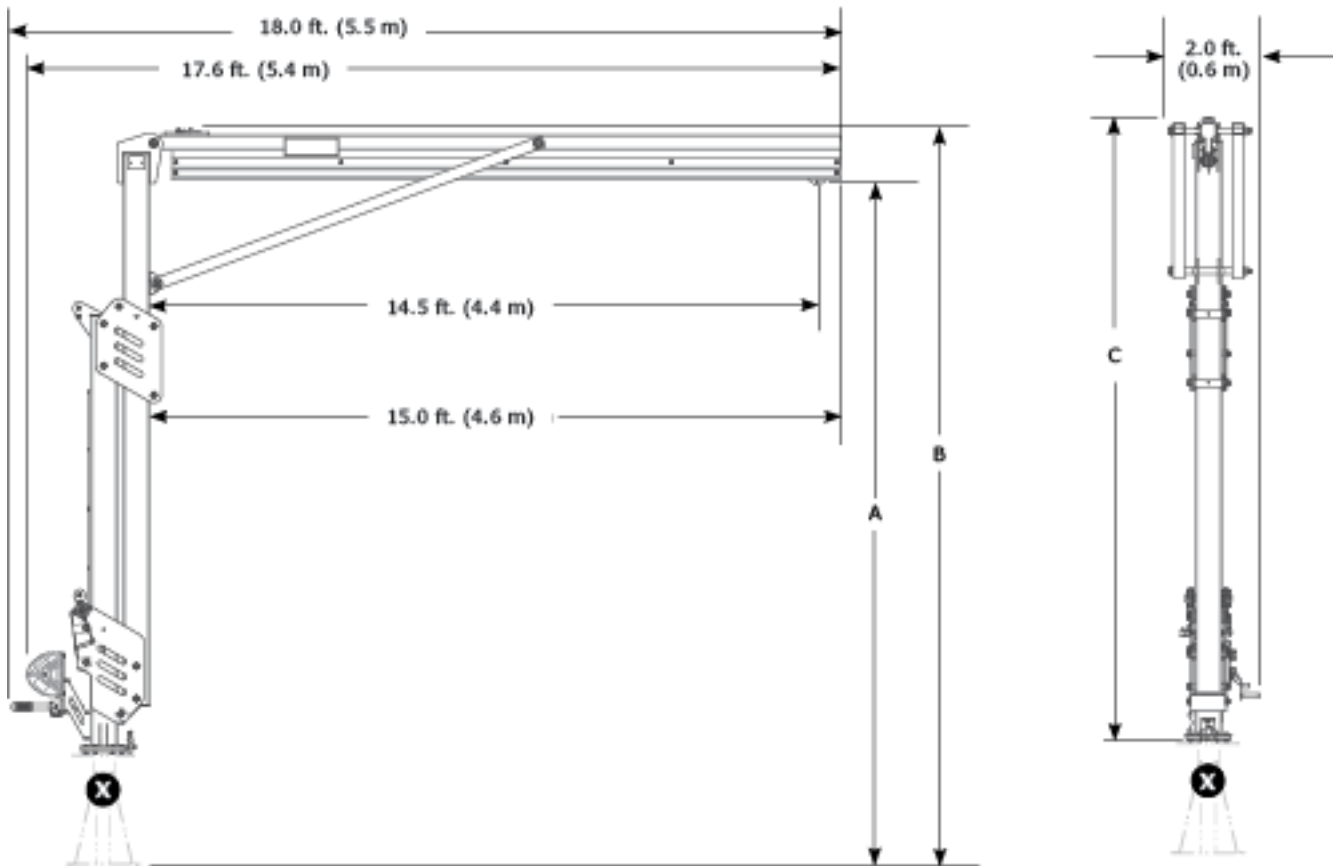
Για περισσότερες πληροφορίες σχετικά με την εγκατάσταση του προϊόντος, ανατρέξτε στις οδηγίες χρήσης.

Πρότυπα: EN795:2012 Τύπος E, OSHA 1910.140, OSHA 1926.502

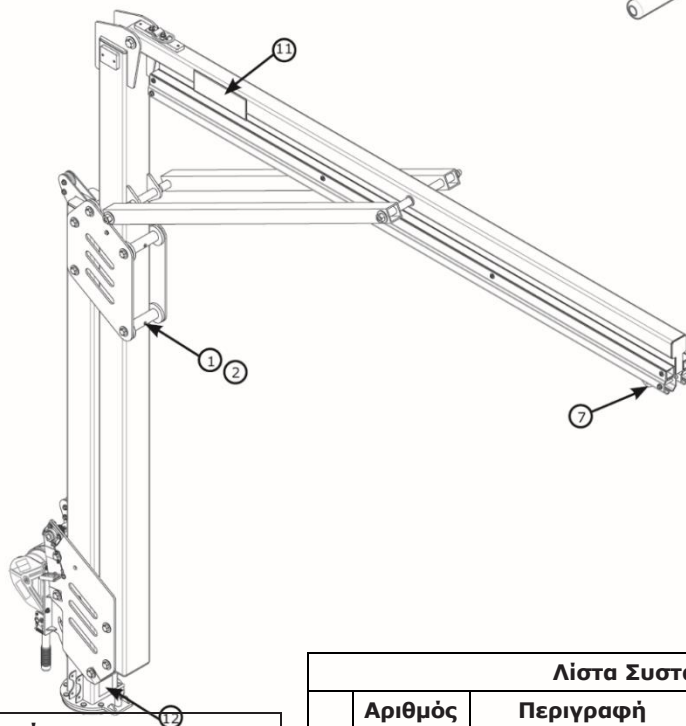
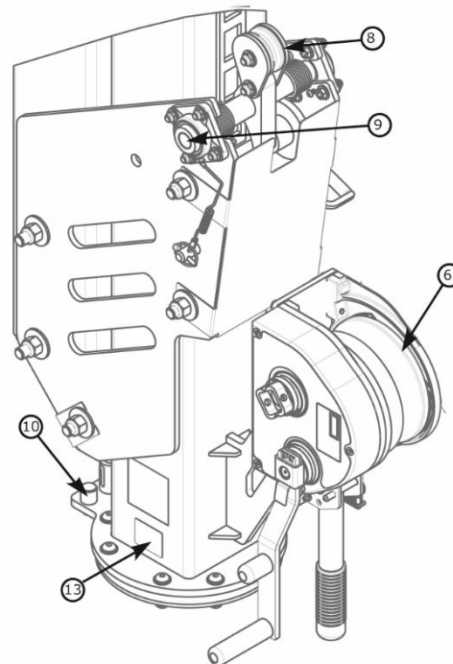
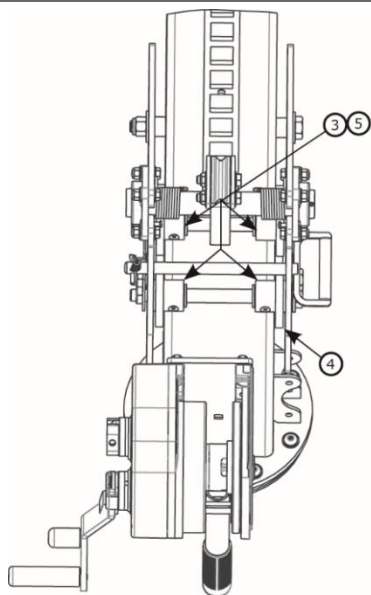
≤ 1350 lb.
(6 kN)

≤ 310 lb.
(140 kg)

1x



	A	B	C	lb. (kg)
8530891	12.3 ft. – 15.0 ft. (3.8 m – 4.6 m)	13.4 ft. – 16.1 ft. (4.1 m – 4.9 m)	9.8 ft. – 14.8 ft. (3.0 m – 4.5 ft.)	945 lb. (429 kg)
8530892	14.8 ft. – 20.0 ft. (4.5 m – 6.1 m)	15.9 ft. – 21.1 ft. (4.8 m – 6.4 m)	13.5 ft. – 18.7 ft. (4.1 m – 5.7 m)	1,057 lb. (479 kg)
8530893	17.3 ft. – 25.0 ft. (5.3 m – 7.6 m)	18.4 ft. – 26.1 ft. (5.6 m – 8.0 m)	16.0 – 23.7 ft. (4.9 m – 7.2 m)	1,169 lb. (530 kg)
8530894	19.8 ft. – 30.0 ft. (6.0 m – 9.1 m)	20.9 ft. – 31.1 ft. (6.4 m – 9.5 m)	18.5 ft. – 28.7 ft. (5.6 m – 8.7 m)	1,281 lb. (581 kg)



Λίστα Συστατικών				
	Αριθμός Ανταλλακτικού	Περιγραφή	Υλικό	Ποσότητα
1	8550046	Φαρδύς Κύλινδρος	Νάilon	3
2	8550047	Αποστάτης Φαρδιού Κυλίνδρου	Ανοξειδωτο Ατσάλι 304	3
3	8550327	Στενός Κύλινδρος	Νάilon	2
4	9514703	Πλευρικός Κύλινδρος	Νάilon	8
5	8550213	Αποστάτης Στενού Κυλίνδρου	Ανοξειδωτο Ατσάλι 304	2
6	8549930	Βίντσι	Ατσάλι	1
7	8521711	Τρόλεϊ	Ατσάλι, Νάilon	1

Λίστα Συστατικών				
	Αριθμός Ανταλλακτικού	Περιγραφή	Υλικό	Ποσότητα
8	8550223	Μηχανισμός Κλειδώματος (μόνο εξουσιοδοτημένη επισκευή)	Ατσάλι, Νάilon	1
9	9515138	Ρουλεμάν	Ατσάλι	2
10	8550398	Σταμάτημα Περιστροφής	Αλουμίνιο	2
11	9515111	Ετικέτα 3M	Πολυεστέρας	2
12	9515101	Ετικέτα Περιστροφής	Πολυεστέρας	1
13	9514429	Ετικέτα Αναγνώρισης	Πολυεστέρας	1
14	9515112	Ετικέτα Χρήστη	Πολυεστέρας	1

Ημι-Σταθερός Γερανός

ΤΕΧΝΙΚΟ ΔΕΛΤΙΟ ΔΕΔΟΜΕΝΩΝ: 8530899-8530901



ΕΦΑΡΜΟΓΗ:

Ο γερανός έχει σχεδιαστεί για να παρέχει σημεία σύνδεσης αγκύρωσης για ένα σύστημα Προστασίας από Πτώσεις.

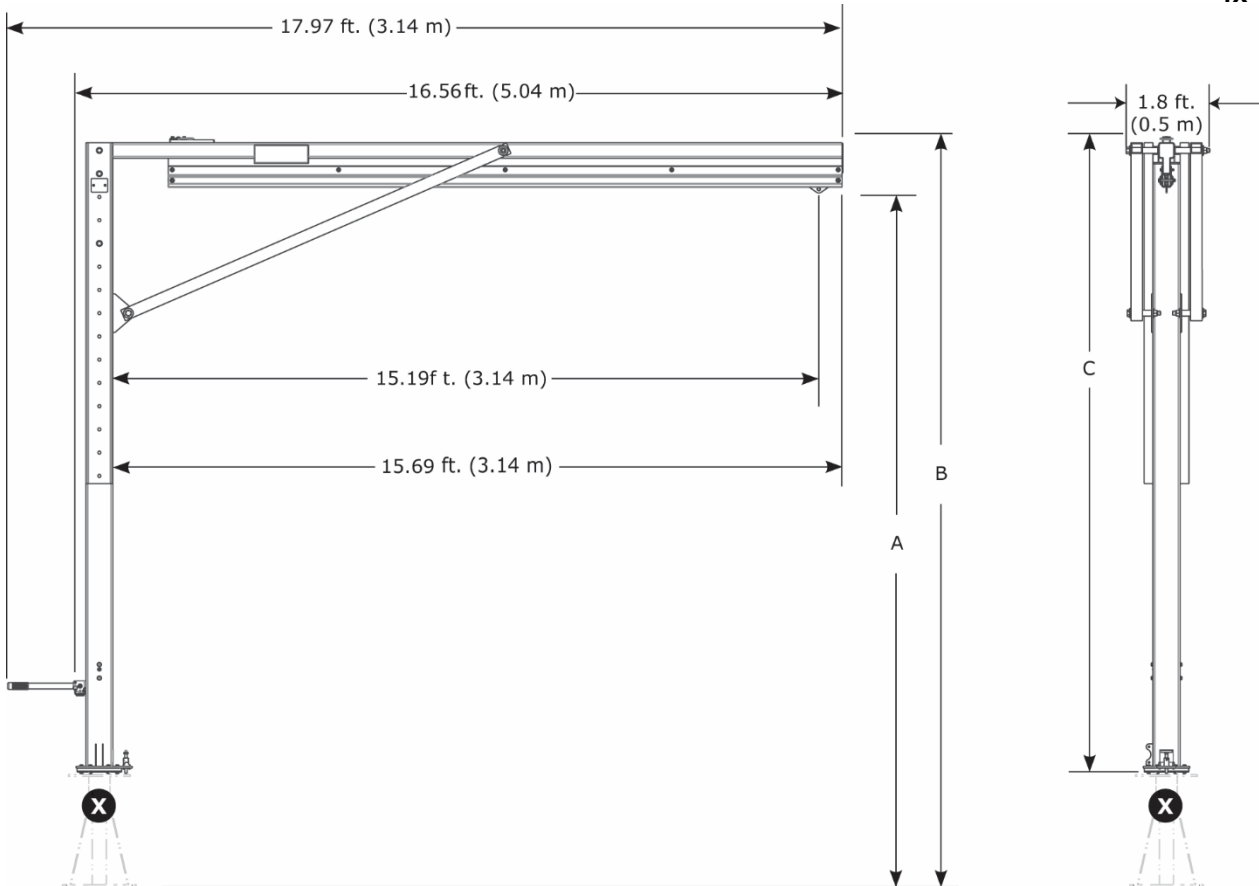
Για περισσότερες πληροφορίες σχετικά με την εγκατάσταση του προϊόντος, ανατρέξτε στις οδηγίες χρήσης.

Πρότυπα: EN795:2012 Τύπος E, OSHA 1910.140, OSHA 1926.502

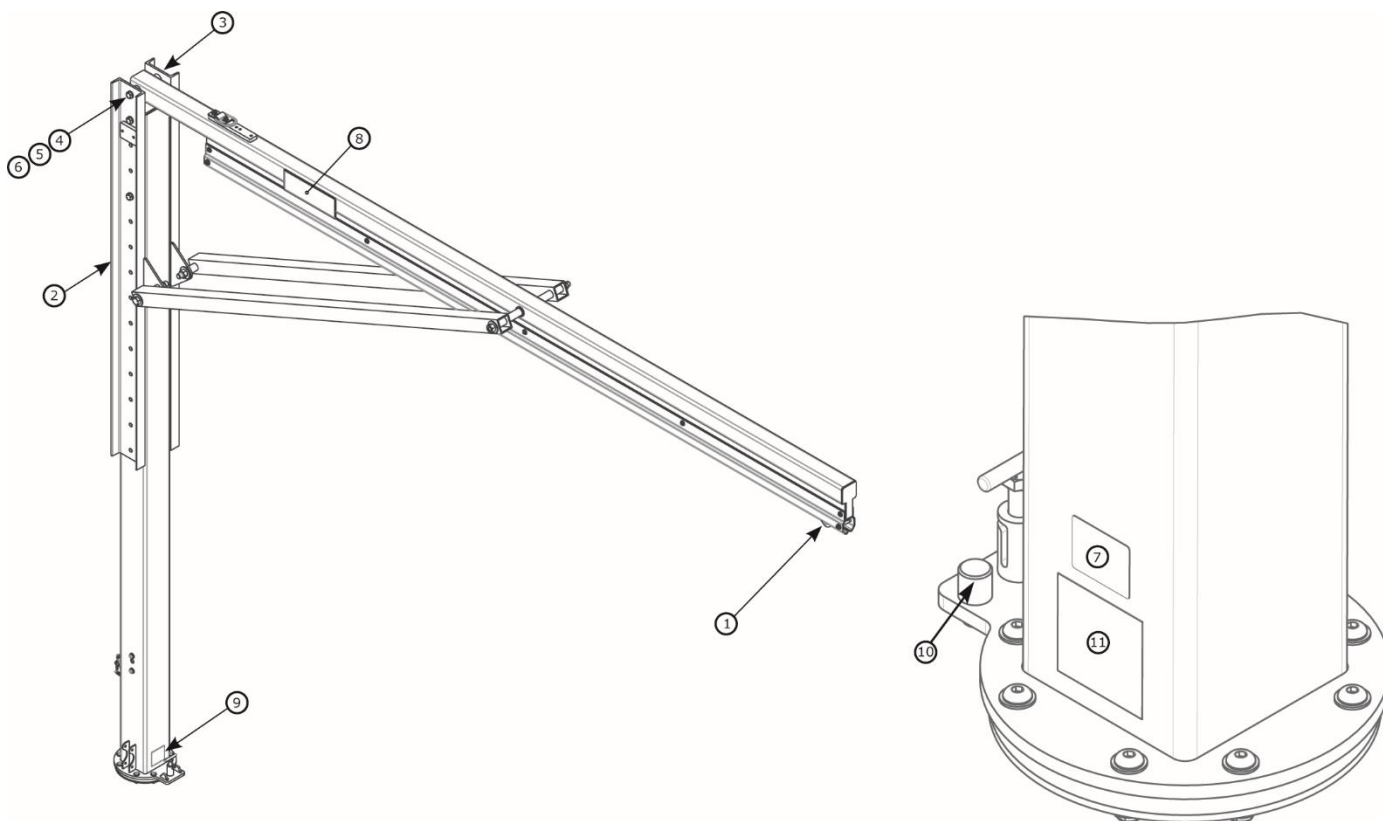
≤ 1350 lb.
(6 kN)

≤ 310 lb.
(140 kg)

1x



	A	B	C	lb. (kg)
8530899	15.0 ft. – 20.0 ft. (4.6 m – 6.1 m)	16.1 ft. – 21.1 ft. (4.9 m – 6.4 m)	13.7 ft. – 18.7 ft. (4.2 m – 5.7 m)	818 lb. (371 kg)
8530900	20.0 ft. – 25.0 ft. (6.1 m – 7.6 m)	21.1 ft. – 26.1 ft. (6.4 m – 7.9 m)	18.7 ft. – 23.7 ft. (5.7 m – 7.2 m)	930 lb. (422 kg)
8530901	25.0 ft. – 30.0 ft. (7.6 m – 9.1 m)	26.1 ft. – 31.1 ft. (7.9 m – 9.6 m)	23.7 ft. – 28.7 ft. (7.2 m – 8.7 m)	1,041 lb. (472 kg)
	+6" (152 mm) βήματα ρύθμισης			



	Αριθμός Ανταλλακτικού	Περιγραφή	Υλικό	Ποσότητα
1	8521711	Τρόλεϊ	Ανοξείδωτο Ατσάλι, Ατσάλι, Νάιλον	1
2	8549933	Κανάλι Στήριξης Διάσωσης	Ατσάλι	1
3	8550248	Κανάλι	Ατσάλι	1
4	8526654	Μπουλόνι 3/4" x 9"	Ατσάλι	2
5	8522275	Ροδέλα 3/4"	Ατσάλι	4
6	8518276	Παξιμάδι 3/4"	Ατσάλι	2
7	9514429	Ετικέτα Αναγνώρισης	Πολυεστέρας	1

	Αριθμός Ανταλλακτικού	Περιγραφή	Υλικό	Ποσότητα
8	9515111	Ετικέτα 3M	Πολυεστέρας	2
9	9515101	Ετικέτα Περιστροφής	Πολυεστέρας	1
10	8550398	Σταμάτημα Περιστροφής	Αλουμίνιο	2
11	9515112	Ετικέτα Χρήστη	Πολυεστέρας	1

Ρυθμιζόμενος Γερανός

ΤΕΧΝΙΚΟ ΔΕΛΤΙΟ ΔΕΔΟΜΕΝΩΝ: 8530895-8530898



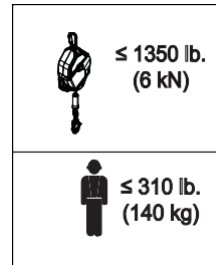
Fall Protection

ΕΦΑΡΜΟΓΗ:

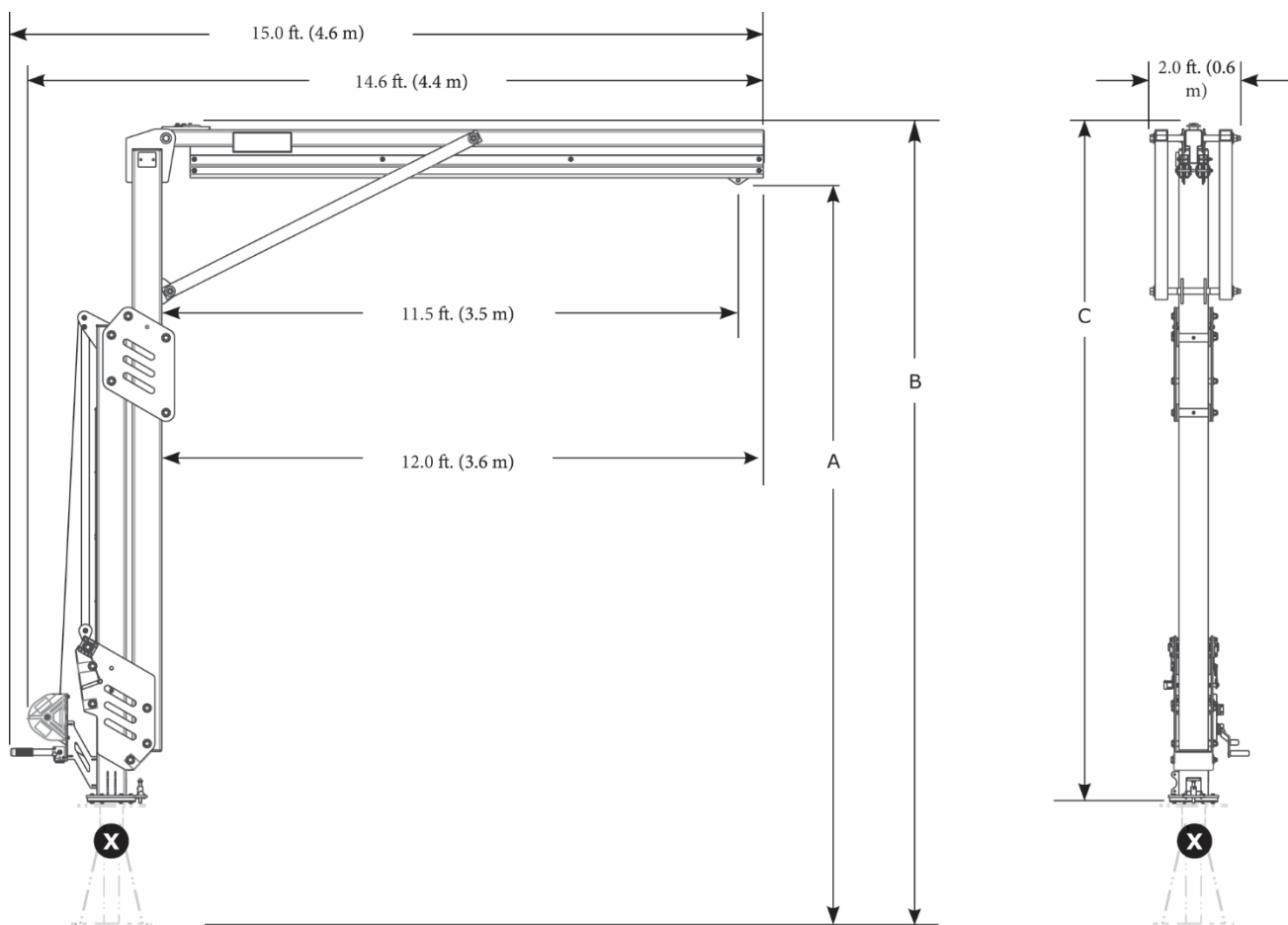
Ο γερανός έχει σχεδιαστεί για να παρέχει σημεία σύνδεσης αγκύρωσης για ένα σύστημα Προστασίας από Πτώσεις.

Για περισσότερες πληροφορίες σχετικά με την εγκατάσταση του προϊόντος, ανατρέξτε στις οδηγίες χρήσης.

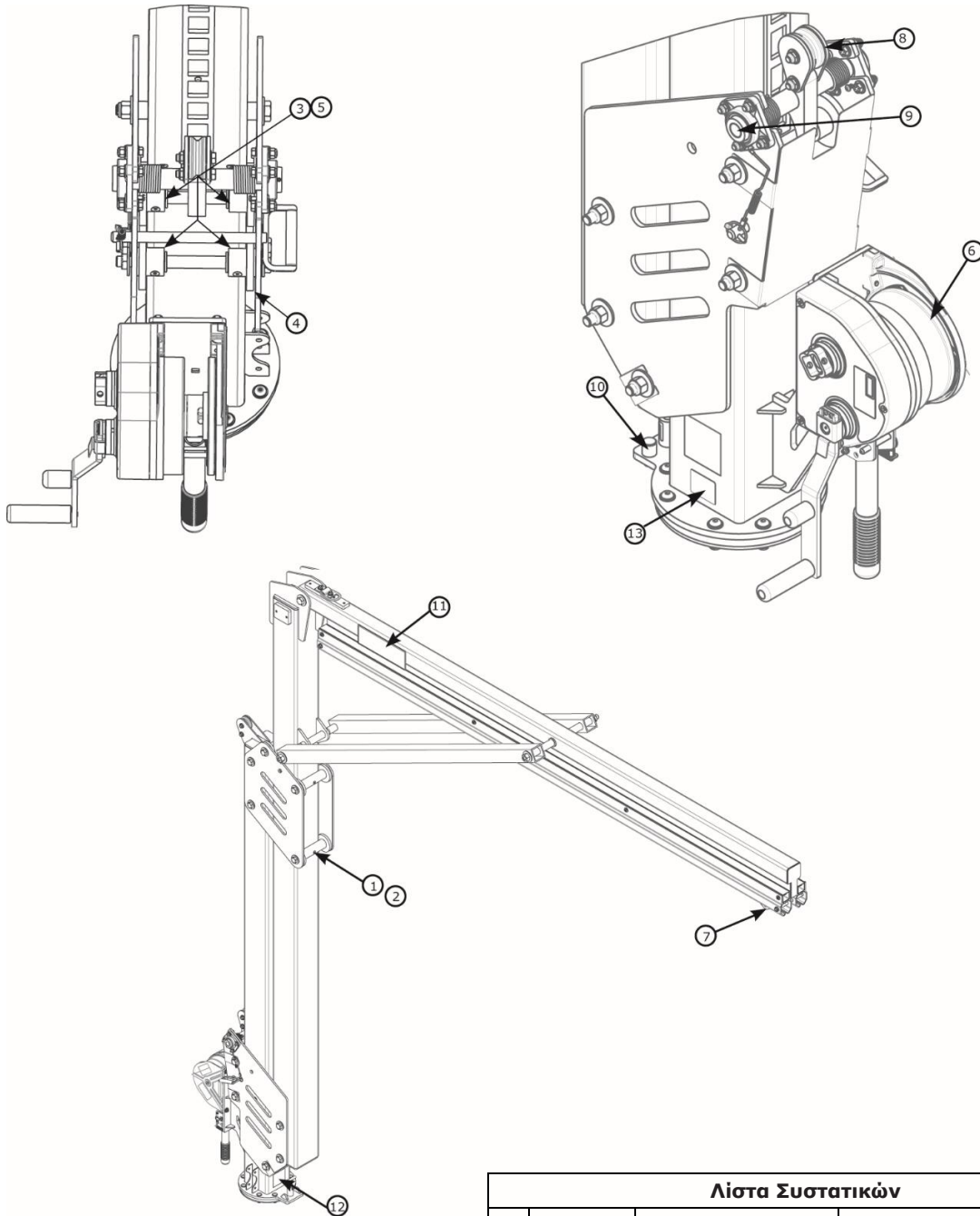
Πρότυπα: CEN/TS 16415:2013 Τύπος E, EN795:2012 Τύπος E, OSHA 1910.140, OSHA 1926.502



2x



	A	B	C	lb. (kg)
8530895	12.3 ft. - 15.0 ft. (3.8 m - 4.6 m)	13.4 ft. - 16.1 ft. (4.1 m - 4.9 m)	11.0 ft. - 13.7 ft. (3.4 m - 4.2 ft.)	1,011 lb. (459 kg)
8530896	14.8 ft. - 20.0 ft. (4.5 m - 6.1 m)	15.9 ft. - 21.1 ft. (4.8 m - 6.4 m)	13.5 ft. - 18.7 ft. (4.1 m - 5.7 m)	1,123 lb. (509 kg)
8530897	17.3 ft. - 25.0 ft. (5.3 m - 7.6 m)	18.4 ft. - 26.1 ft. (5.6 m - 8.0 m)	16.0 - 23.7 ft. (4.9 m - 7.2 m)	1,235 lb. (560 kg)
8530898	19.8 ft. - 30.0 ft. (6.0 m - 9.1 m)	20.9 ft. - 31.1 ft. (6.4 m - 9.5 m)	18.5 ft. - 28.7 ft. (5.6 m - 8.7 m)	1,343 lb. (609 kg)



Λίστα Συστατικών				
	Αριθμός Ανταλλακτικού	Περιγραφή	Υλικό	Ποσότητα
1	8550046	Φαρδύς Κύλινδρος	Νάιλον	3
2	8550047	Αποστάτης Φαρδίου Κυλίνδρου	Ανοξείδωτο Ατσάλι 304	3
3	8550327	Στενός Κύλινδρος	Νάιλον	2
4	9514703	Πλευρικός Κύλινδρος	Νάιλον	8
5	8550213	Αποστάτης Στενού Κυλίνδρου	Ανοξείδωτο Ατσάλι 304	2
6	8549930	Βίντσι	Ατσάλι	1
7	8521711	Τρόλεϊ	Ατσάλι, Νάιλον	1

Λίστα Συστατικών				
	Αριθμός Ανταλλακτικού	Περιγραφή	Υλικό	Ποσότητα
8	8550223	Μηχανισμός Κλειδώματος (μόνο εξουσιοδοτημένη επισκευή)	Ατσάλι, Νάιλον	1
9	9515138	Ρουλεμάν	Ατσάλι	2
10	8550398	Σταμάτημα Περιστροφής	Αλουμίνιο	2
11	9515111	Ετικέτα 3M	Πολυεστέρας	2
12	9515101	Ετικέτα Περιστροφής	Πολυεστέρας	1
13	9514429	Ετικέτα Αναγνώρισης	Πολυεστέρας	1
14	9515112	Ετικέτα Χρήστη	Πολυεστέρας	1

Ημι-Σταθερός Γερανός

ΤΕΧΝΙΚΟ ΔΕΛΤΙΟ ΔΕΔΟΜΕΝΩΝ: 8530902-8530904

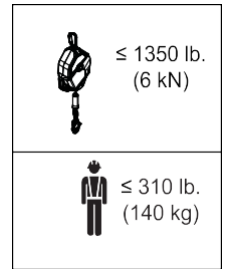


ΕΦΑΡΜΟΓΗ:

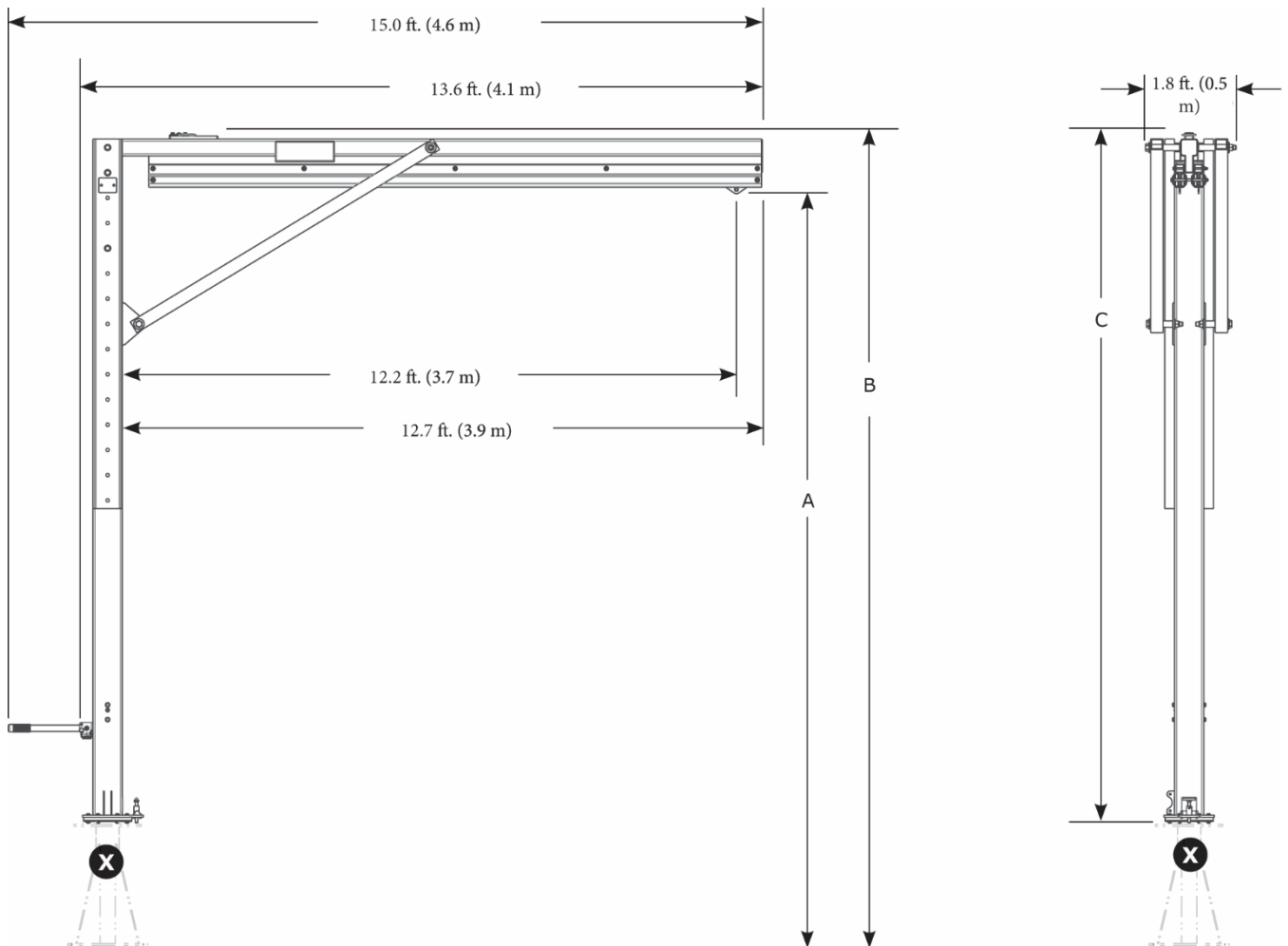
Ο γερανός έχει σχεδιαστεί για να παρέχει σημεία σύνδεσης αγκύρωσης για ένα σύστημα Προστασίας από Πτώσεις.

Για περισσότερες πληροφορίες σχετικά με την εγκατάσταση του προϊόντος, ανατρέξτε στις οδηγίες χρήσης.

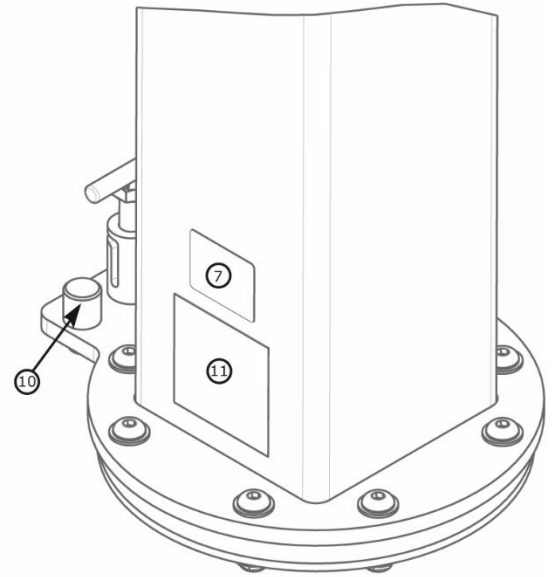
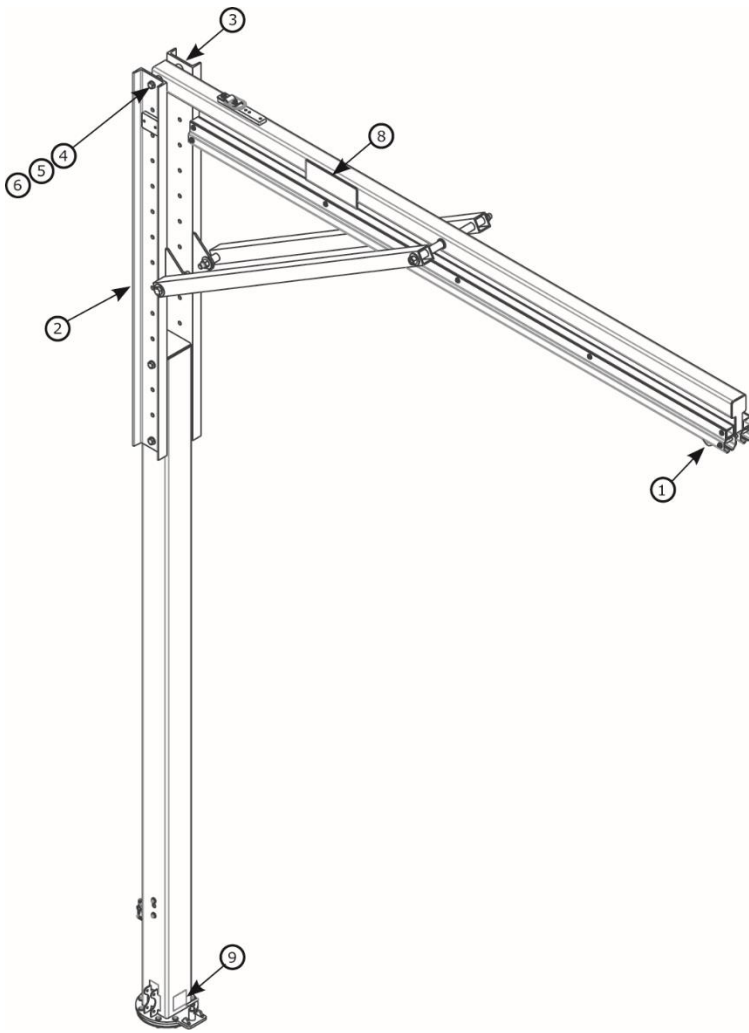
Πρότυπα: CEN/TS 16415:2013 Τύπος E, EN795:2012 Τύπος E, OSHA 1910.140, OSHA 1926.502



2x



	A	B	C	lb. (kg)
8530902	15.0 ft. – 20.0 ft. (4.6 m – 6.1 m)	16.1 ft. – 21.1 ft. (4.9 m – 6.4 m)	13.7 ft. – 18.7 ft. (4.2 m – 5.7 m)	850 lb. (386 kg)
8530903	20.0 ft. – 25.0 ft. (6.1 m – 7.6 m)	21.1 ft. – 26.1 ft. (6.4 m – 7.9 m)	18.7 ft. – 23.7 ft. (5.7 m – 7.2 m)	961 lb. (436 kg)
8530904	25.0 ft. – 30.0 ft. (7.6 m – 9.1 m)	26.1 ft. – 31.1 ft. (7.9 m – 9.6 m)	23.7 ft. – 28.7 ft. (7.2 m – 8.7 m)	1,073 lb. (487 kg)



Αριθμός Ανταλλακτικού	Περιγραφή	Υλικό	Ποσότητα
1	Τρόλει	Ανοξειδωτο Ατσάλι, Ατσάλι, Νάilon	1
2	Κανάλι Στήριξης Διάσωσης	Ατσάλι	1
3	Κανάλι	Ατσάλι	1
4	Μπουλόνι 3/4" x 9"	Ατσάλι	2
5	Ροδέλα 3/4"	Ατσάλι	4
6	Παξιμάδι 3/4"	Ατσάλι	2
7	Ετικέτα Αναγνώρισης	Πολυεστέρας	1

Αριθμός Ανταλλακτικού	Περιγραφή	Υλικό	Ποσότητα
8	Ετικέτα 3M	Πολυεστέρας	2
9	Ετικέτα Περιστροφής	Πολυεστέρας	1
10	Σταμάτημα Περιστροφής	Αλουμίνιο	2
11	Ετικέτα Χρήστη	Πολυεστέρας	1

Βάση Αντίβαρου M200

ΤΕΧΝΙΚΟ ΔΕΛΤΙΟ ΔΕΔΟΜΕΝΩΝ: 8530886, 8530887



ΕΦΑΡΜΟΓΗ:

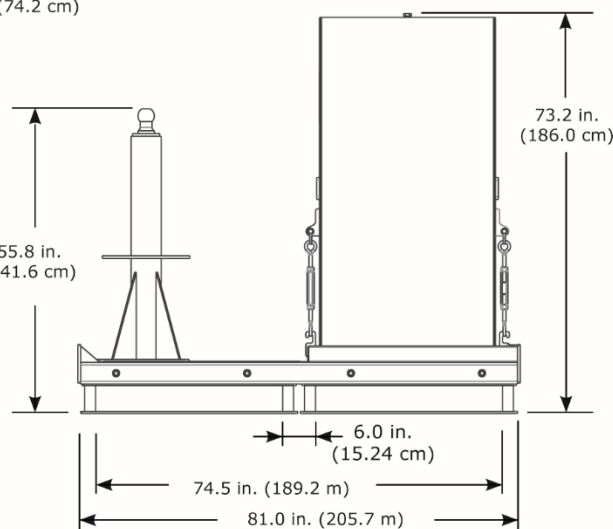
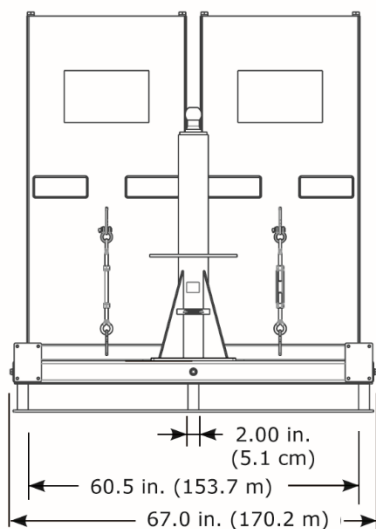
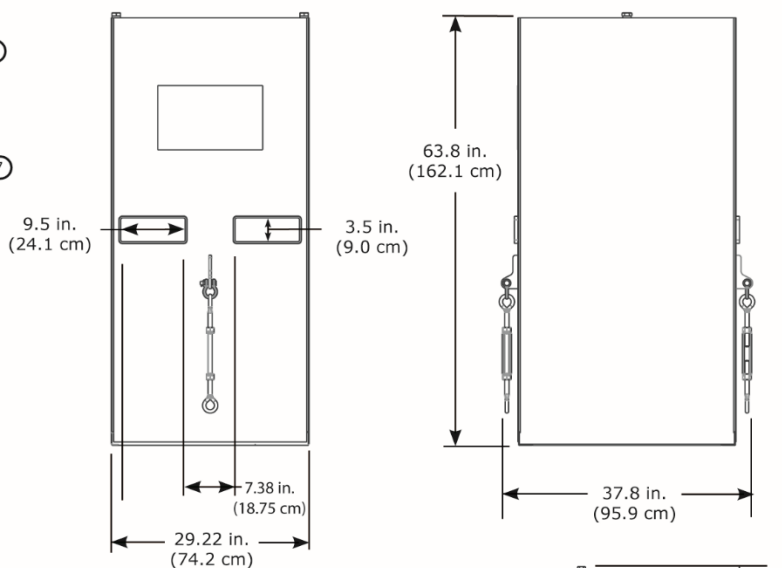
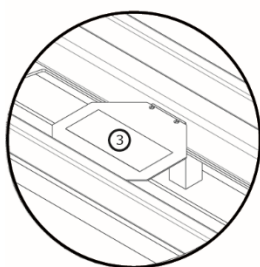
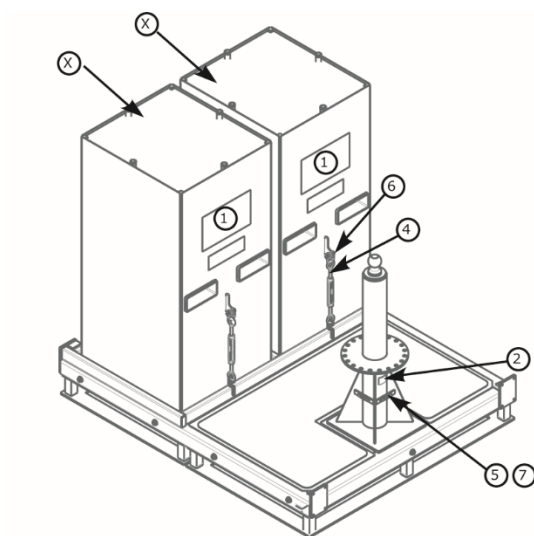
Η βάση του γερανού έχει σχεδιαστεί για να χρησιμοποιείται ως σημείο στήριξης για το σύστημα γερανού.

Για περισσότερες πληροφορίες σχετικά με την εγκατάσταση του προϊόντος, ανατρέξτε στις οδηγίες χρήσης.

Πρότυπα: CEN/TS 16415:2013 Τύπος E, EN795:2012 Τύπος E, OSHA 1910.140, OSHA 1926.502

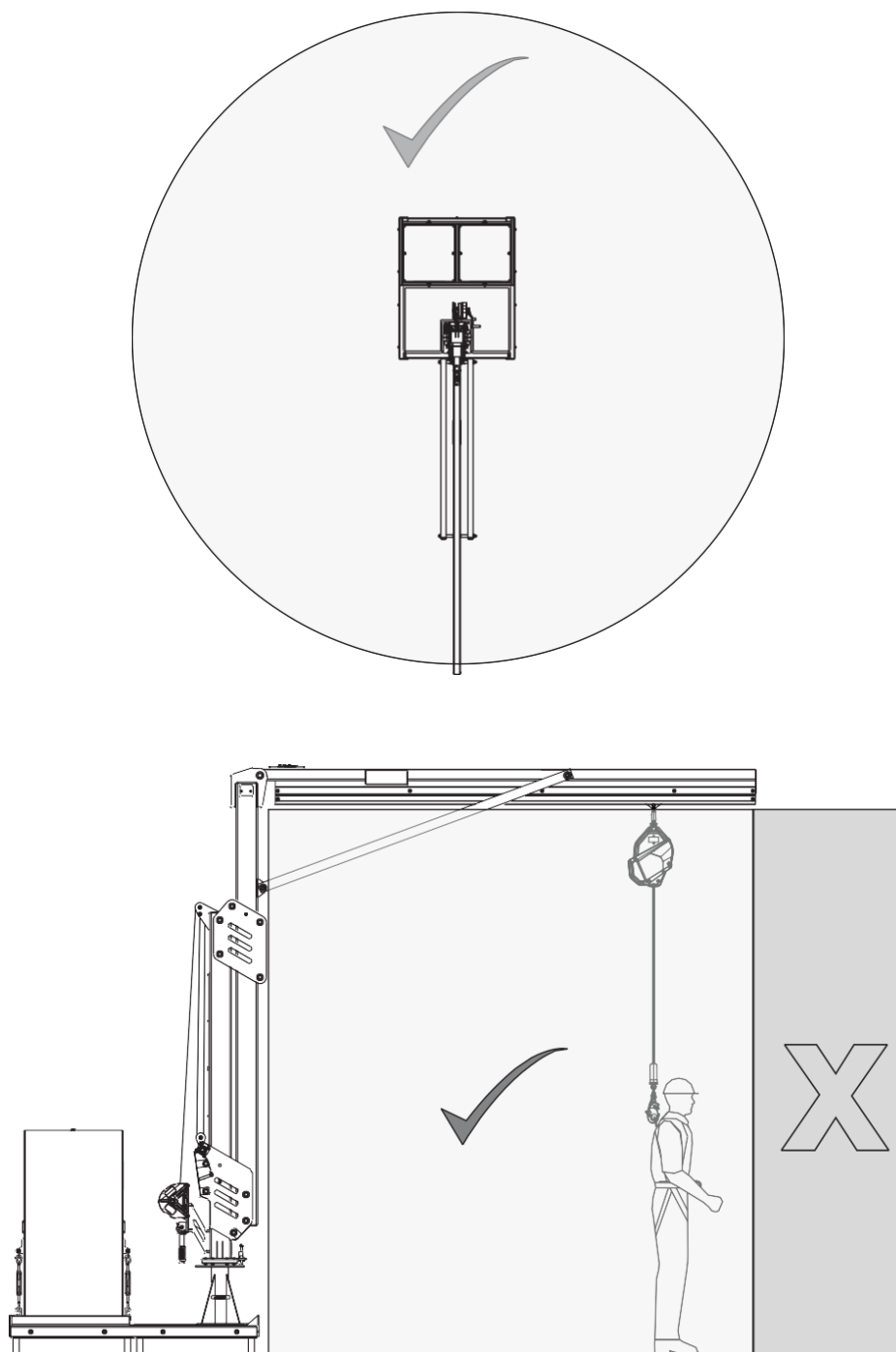
	X 4,000 psi (30 MPa)	Απαιτήσεις Δομής Ανάπαυσης	Βάρος
8530886		14,645 lb. (6,643 kg) + Βάρος of M200 Jib Boom	2,407 lb. (1,092 kg)
8530887	✓		11,325 lb. (5,137 kg)

Λίστα Συστατικών				
	Αριθμός Ανταλλακτικού	Περιγραφή	Υλικό	Ποσότητα
1	9515107	Ετικέτα Χρήστη	Πολυεστέρας	1
2	9514429	Ετικέτα Αναγνώρισης	Πολυεστέρας	1
3	9515106	Ετικέτα Προειδοποίησης	Πολυεστέρας	1
4	8520575	Τεντωτήρας	Ατσάλι	2
5	9513627	Βίδα #4	Ατσάλι	4
6	9501794	Σακίδιο	Ατσάλι	2
7	9515058	Φυσαλίδα Στάθμης	Πλαστικό	2
8	9515566	Ετικέτα Προειδοποίησης	Πολυεστέρας	4



ΕΦΑΡΜΟΓΗ:

Ανατρέξτε στο διάγραμμα παρακάτω για την περιοχή εργασίας του προϊόντος.



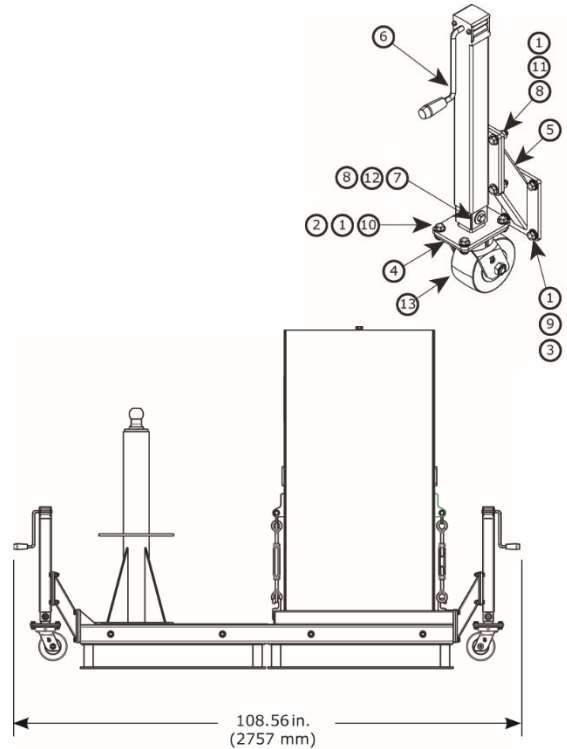
Αξεσουάρ Βάσης Αντίβαρου M200

ΤΕΧΝΙΚΟ ΔΕΛΤΙΟ ΔΕΔΟΜΕΝΩΝ: 8530907, 8530908, 8530777

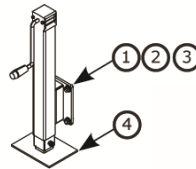


Fall Protection

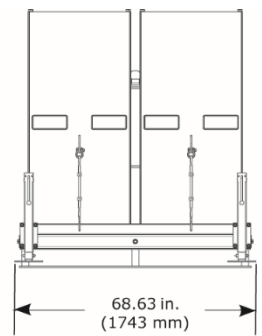
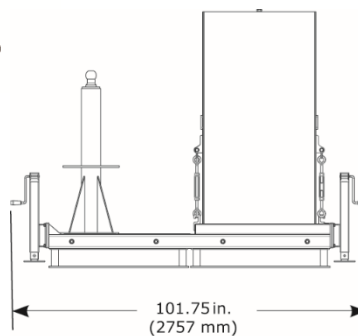
Λίστα Συστατικών				
	Αριθμός Ανταλλακτικού	Περιγραφή	Υλικό	Ποσότητα
1	8510037	Ροδέλα 1/2"	Ατσάλι	80
2	8512460	Μπουλόνι 1/2" x 1 1/4"	Ατσάλι	16
3	8518432	Μπουλόνι 1/2" x 1"	Ατσάλι	16
4	8550153	Συγκόλληση Τροχού	Ατσάλι	4
5	8550155	Συγκόλληση Γωνίας	Ατσάλι	4
6	8550156	Συγκόλληση Στήριξης	Ατσάλι	4
7	9501243	Ροδέλα 1/2"	Ατσάλι	8
8	9501831	Εξαγωνο Παξιμάδι 1/2"	Ατσάλι	20
9	9504221	Ροδέλα 1/2"	Ατσάλι	16
10	9504813	Εξαγωνο Παξιμάδι 1/2"	Ατσάλι	16
11	9509276	Μπουλόνι 1/2" x 1 3/4"	Ατσάλι	16
12	9510153	Μπουλόνι 1/2" x 3 1/4"	Ατσάλι	4
13	9515081	Τροχός με Ροδάκια	Ατσάλι, Πολυουρεθάνη	4



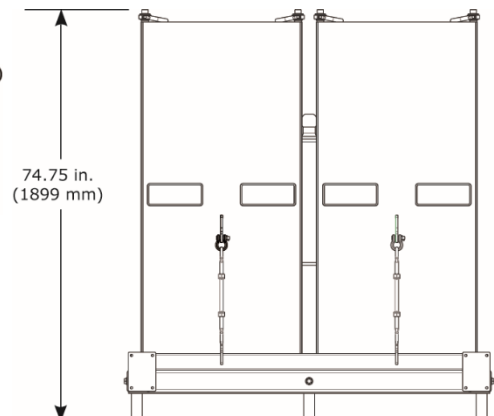
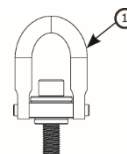
	8530907	8530908	8530777
Βάρος	108 lb. (49 kg)	152 lb. (69 kg)	12 lb. (5.4 kg)



	Αριθμός Ανταλλακτικού	Περιγραφή	Υλικό	Ποσότητα
1	9504221	Ροδέλα Ασφαλείας 1/2"	Ατσάλι	16
2	8510037	Ροδέλα 1/2"	Ατσάλι	16
3	8518432	Μπουλόνι 1/2" x 1"	Ατσάλι	16
4	8550177	Συγκόλληση Τροχού	Ατσάλι	4





Λίστα Συστατικών				
	Αριθμός Ανταλλακτικού	Περιγραφή	Υλικό	Ποσότητα
1	9512574	Δακτύλιος Ανύψωσης	Ατσάλι	4

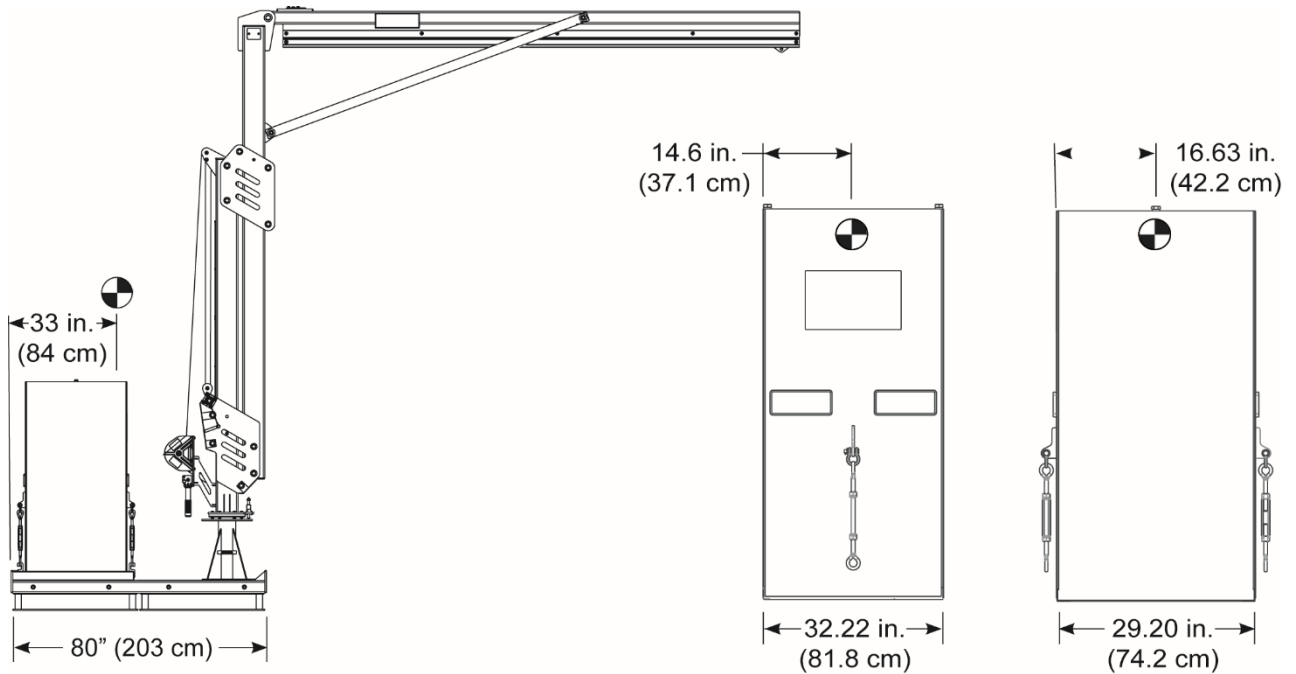



Κέντρο Βάρους Βάσης Αντίβαρου M200
ΤΕΧΝΙΚΟ ΔΕΛΤΙΟ ΔΕΔΟΜΕΝΩΝ: 8530886, 8530887




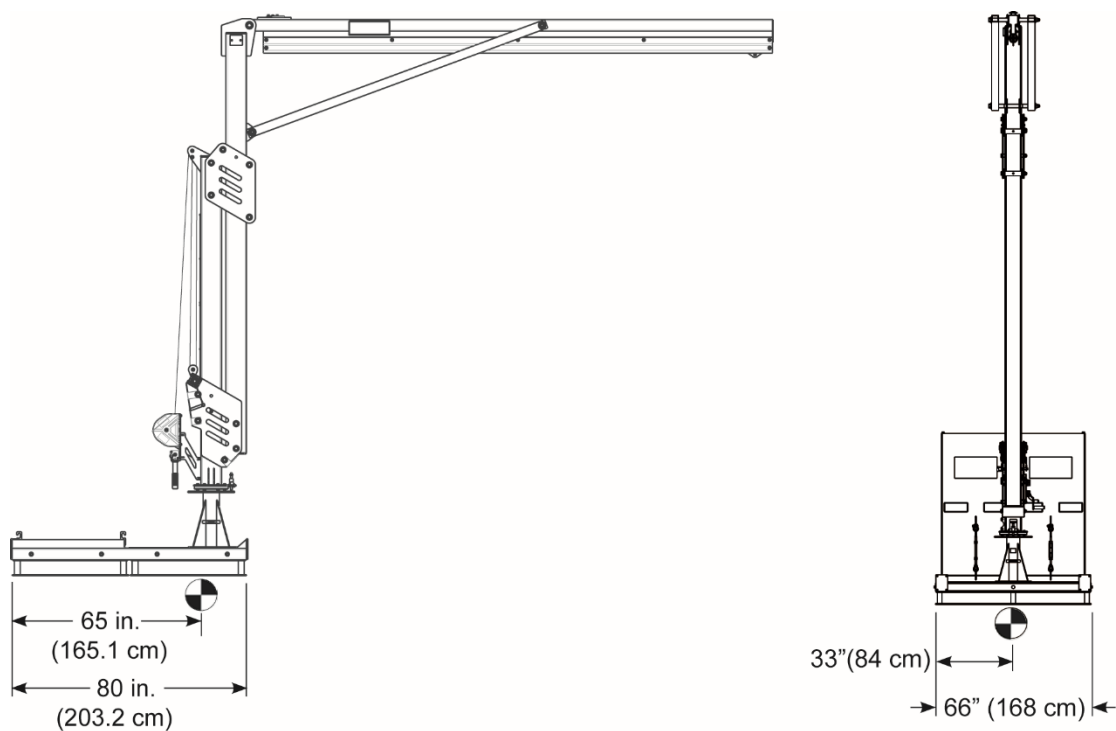
8530887	8530898
 .lb (kg)	12,668 lbs. (5,746 kg)

 .lb (kg)	5,000 lbs. (2,268 kg)
--	--------------------------



8530887	8530898
 .lb (kg)	2,668 lbs. (1,210 kg)

8530887	8530898
 .lb (kg)	12,668 lbs. (5,746 kg)



Βάση Στήριξης Δαπέδου M200

ΤΕΧΝΙΚΟ ΔΕΛΤΙΟ ΔΕΔΟΜΕΝΩΝ: 8530888

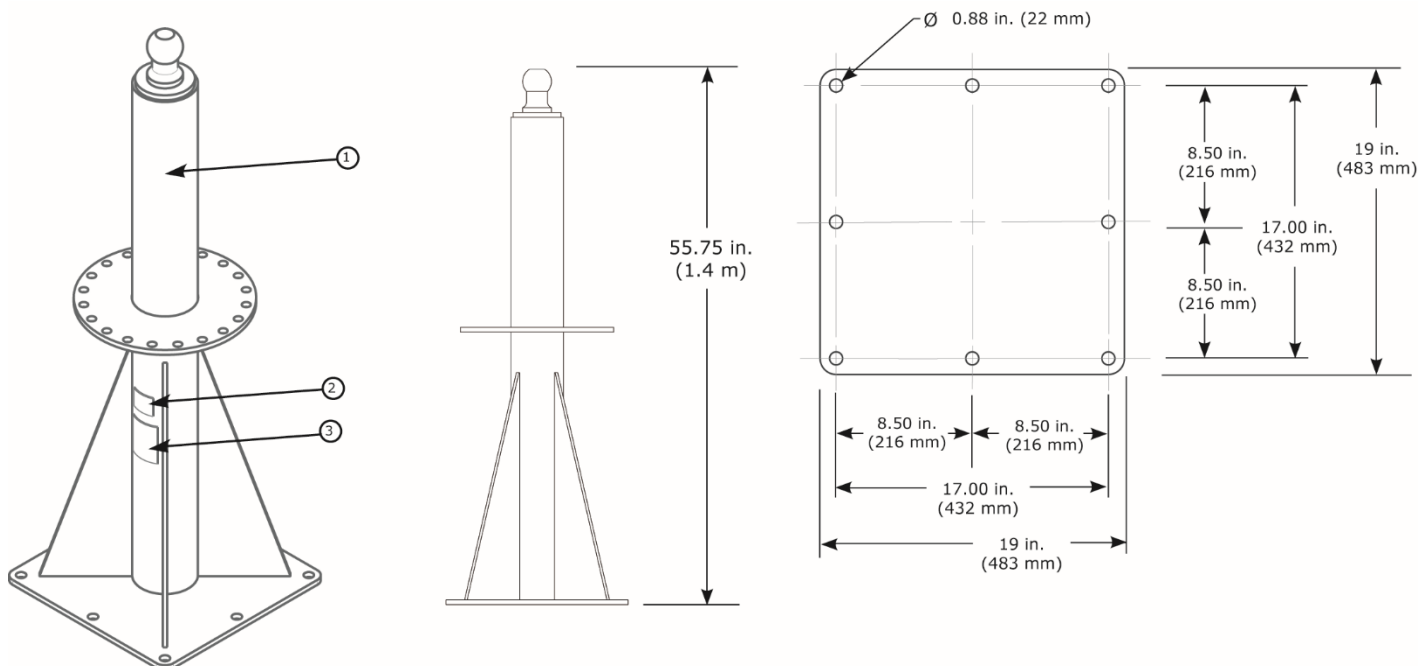


ΕΦΑΡΜΟΓΗ:

Η βάση του γερανού έχει σχεδιαστεί για να χρησιμοποιείται ως σημείο στήριξης για το σύστημα γερανού.
Για περισσότερες πληροφορίες σχετικά με την εγκατάσταση του προϊόντος, ανατρέξτε στις οδηγίες χρήσης.

Πρότυπα: CEN/TS 16415:2013 Τύπος Α, EN795:2012 Τύπος Α, OSHA 1910.140, OSHA 1926.502

	Βάρος
8530888	265 lb. (120 kg)



Λίστα Συστατικών				
	Αριθμός Ανταλλακτικού	Περιγραφή	Υλικό	Ποσότητα
1	8549921	Συγκόλληση Βάσης	Ατσάλι	1
2	9514429	Ετικέτα Αναγνώρισης	Πολυεστέρας	1
3	9515114	Ετικέτα Χρήστη	Πολυεστέρας	1

Απαιτήσεις Στήριξης		
Ελάχιστη Δύναμη Έλξης Συνδετήρα	Ελάχιστο Φορτίο Ροπής Δομής Στήριξης	Ελάχιστο Κατακόρυφο Φορτίο Δομής Στήριξης
9,386 lb. (4,257 kg)	501,633 in-lb. (56,677 N-m)	3,320 lb. (1,506 kg) + Βάρος βάσης + Βάρος του Βραχίονα M200 Jib

Βάση Ενσωμάτωσης M200

ΤΕΧΝΙΚΟ ΔΕΛΤΙΟ ΔΕΔΟΜΕΝΩΝ: 8530889, 8530920, 8530921



Fall Protection

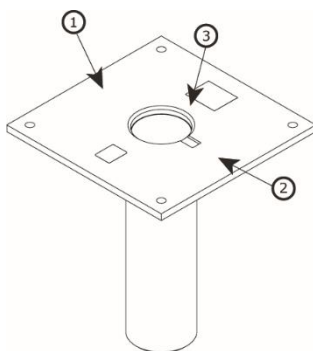
ΕΦΑΡΜΟΓΗ:

Η βάση του γερανού έχει σχεδιαστεί για να χρησιμοποιείται ως σημείο στήριξης για το σύστημα γερανού.

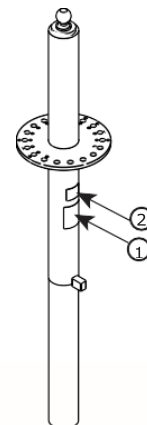
Για περισσότερες πληροφορίες σχετικά με την εγκατάσταση του προϊόντος, ανατρέξτε στις οδηγίες χρήσης.

Πρότυπα: CEN/TS 16415:2013, EN795:2012 Τύπος A, OSHA 1910.140, OSHA 1926.502

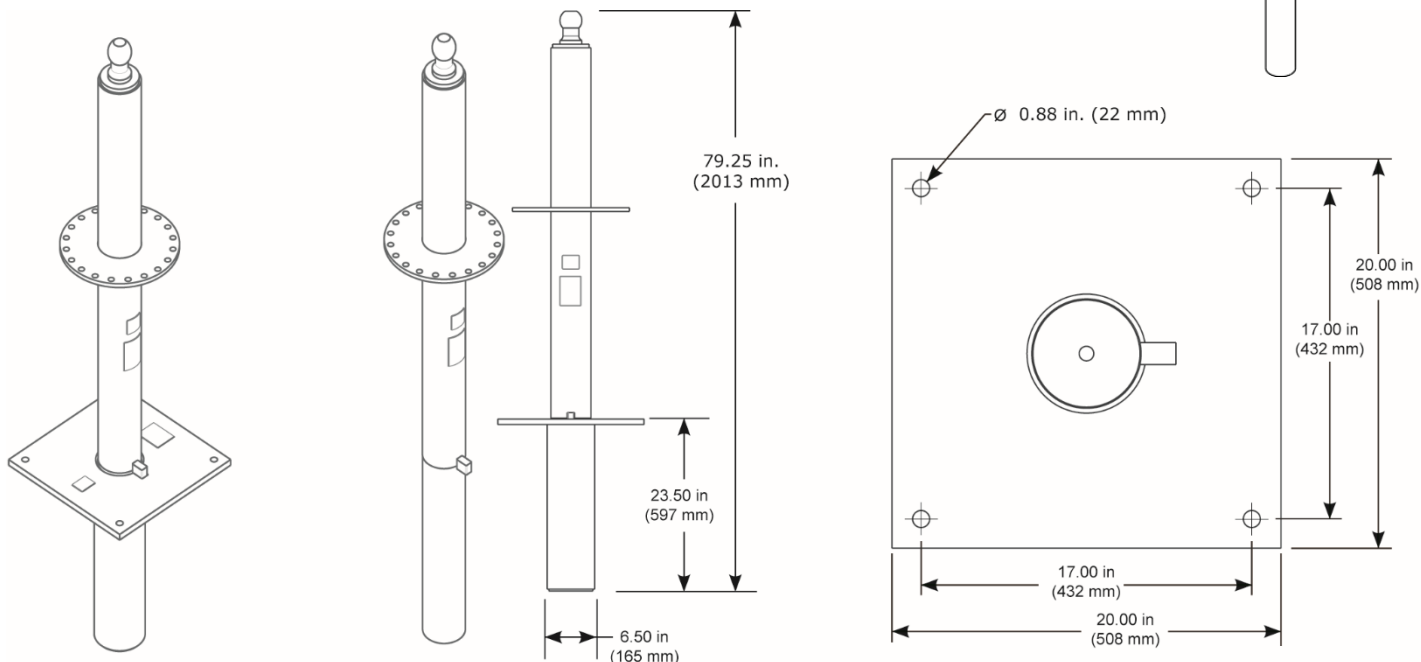
	Βάρος
8530920	140 lb. (64 kg)



	Βάρος
8530921	237 lb. (107 kg)



	Βάρος
8530889	377 lb. (171 kg)

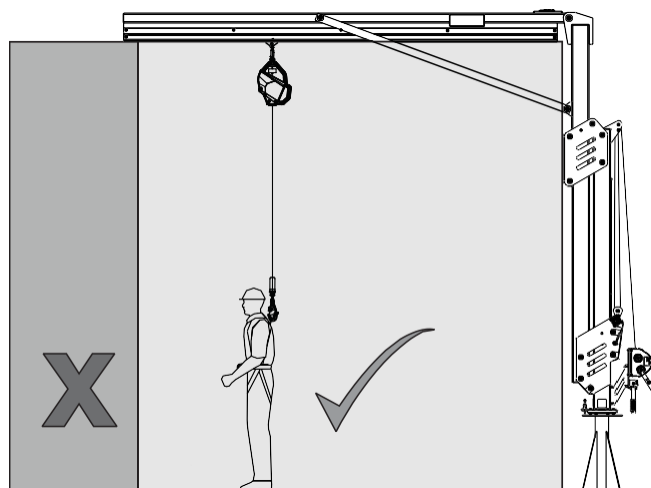
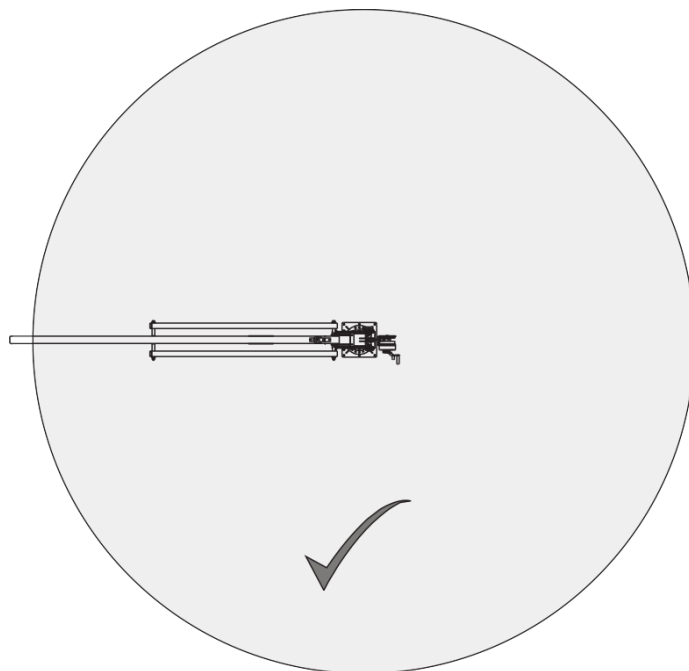


Λίστα Συστατικών				
	Αριθμός Ανταλλακτικού	Περιγραφή	Υλικό	Ποσότητα
1	9515114	Ετικέτα Χρήστη	Πολυεστέρας	1
2	9514429	Ετικέτα Αναγνώρισης	Πολυεστέρας	1
3	8550165	Κάλυμμα Βάσης	Αλουμίνιο, Καουτσούκ	1

Απαιτήσεις Στήριξης	
Ελάχιστο Φορτίο Ροπής Δομής Στήριξης	Ελάχιστο Κατακόρυφο Φορτίο Δομής Στήριξης
501,633 in-lb. (56,677 N-m)	3,320 lb. (1,506 kg) + Βάρος βάσης + Βάρος του Βραχίονα M200 Jib

ΕΦΑΡΜΟΓΗ:

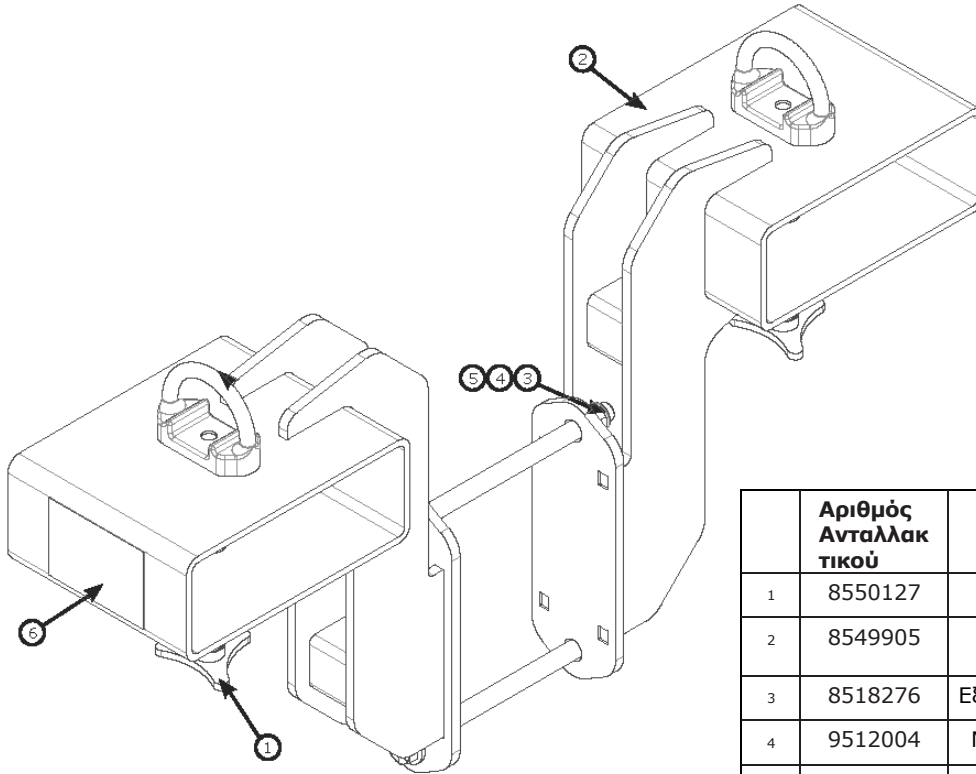
Ανατρέξτε στο διάγραμμα παρακάτω για την περιοχή εργασίας του προϊόντος.



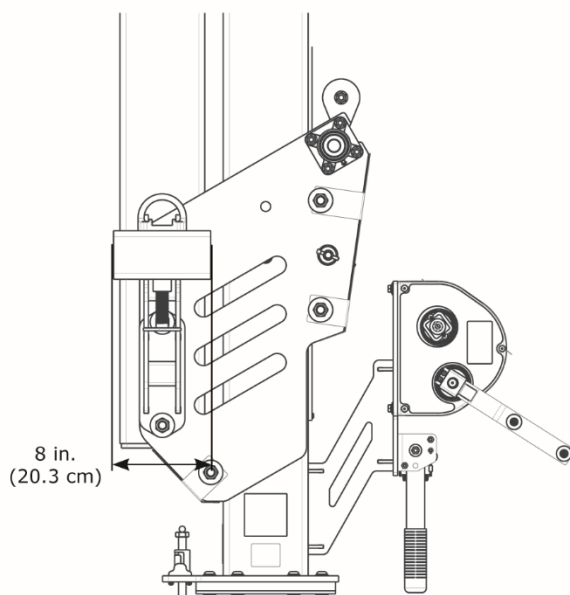
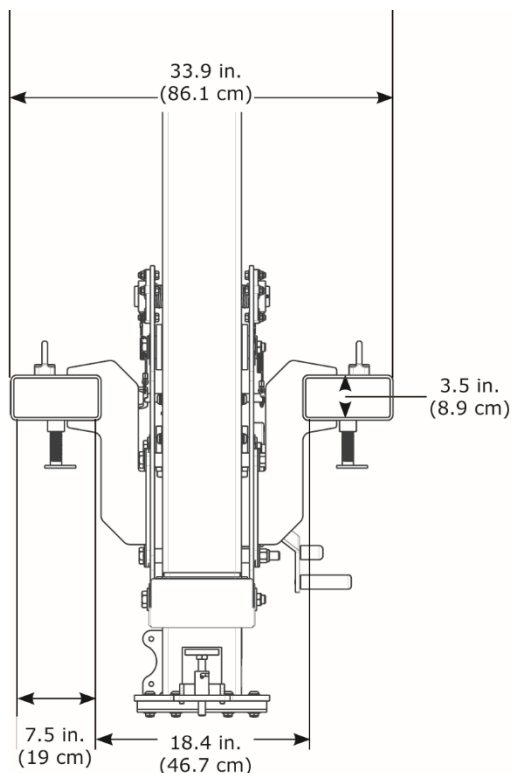
ΕΦΑΡΜΟΓΗ:

Αυτό το μοντέλο σετ θήκης πιρουνιού έχει σχεδιαστεί για να μεταφέρει τα μοντέλα γερανού με βίντσι **8530891-8530898**.

Για περισσότερες πληροφορίες σχετικά με την εγκατάσταση των εξαρτημάτων, ανατρέξτε στις οδηγίες χρήσης.



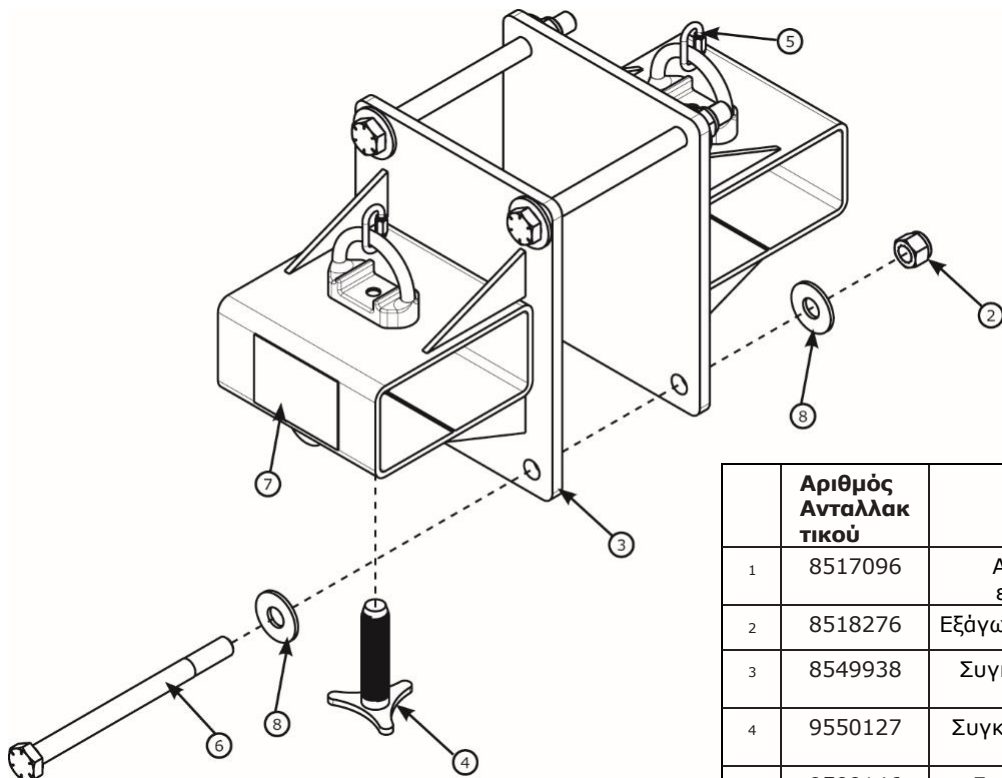
	Αριθμός Ανταλλακτικού	Συστατικό	Ποσότητα
1	8550127	Τριπλή Βίδα	2
2	8549905	Συγκόλληση Θήκης Πιρουνιού	2
3	8518276	Εξάγωνο Παξιμάδι 3/4"	2
4	9512004	Μπουλόνι 3/4" x 12"	2
5	M970033018	Ροδέλα 3/4"	4
6	9515122	Ετικέτα Χρήστη	1
	9500146	Κρίκος Αλυσίδας	2
	8517096	Αλυσίδα	10 ft.



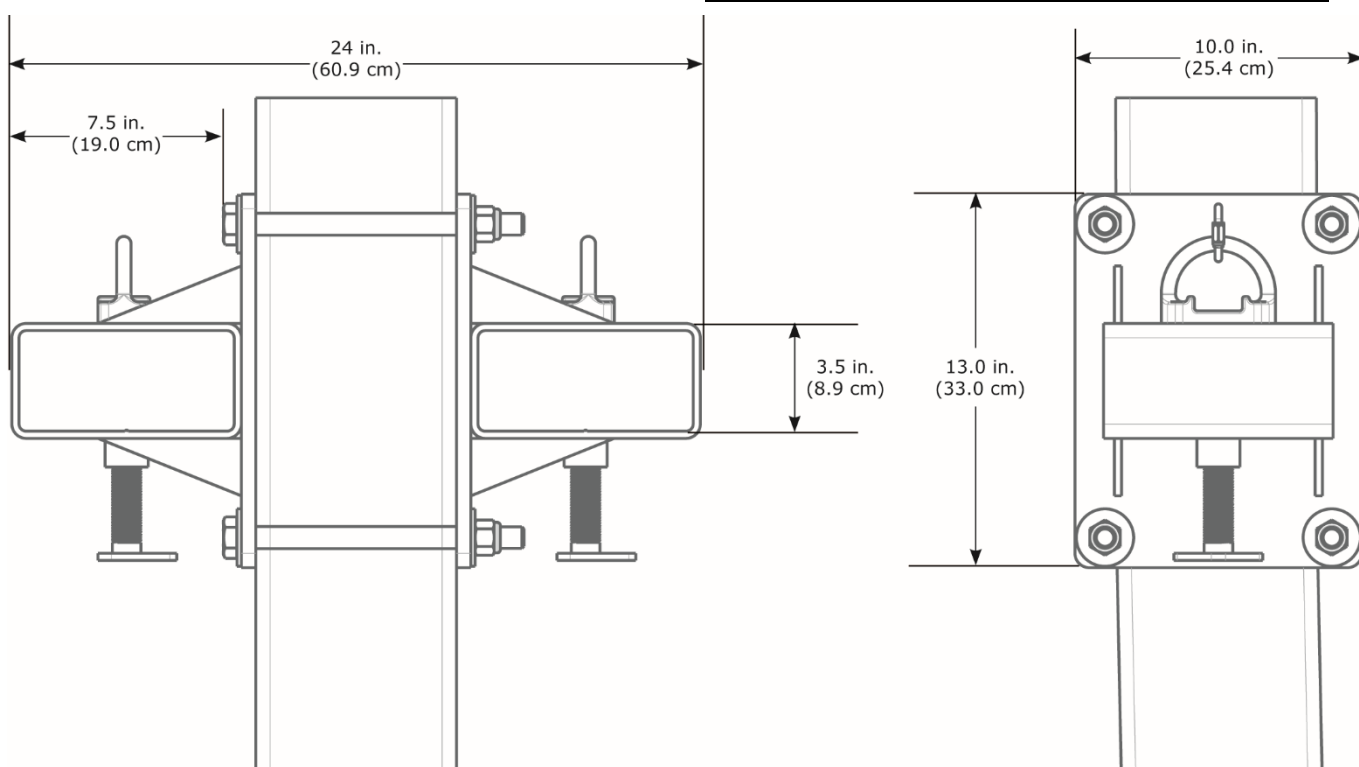
ΕΦΑΡΜΟΓΗ:

Αυτό το μοντέλο σετ θήκης πιρουνιού έχει σχεδιαστεί για να μεταφέρει τον γερανό με τα μοντέλα καναλιού ρύθμισης **8530899-8530904**.

Για περισσότερες πληροφορίες σχετικά με την εγκατάσταση των εξαρτημάτων, ανατρέξτε στις οδηγίες χρήσης.



	Αριθμός Ανταλλακτικού	Συστατικό	Ποσότητα
1	8517096	Αλυσίδα (δεν εμφανίζεται)	10 ft.
2	8518276	Εξάγωνο Παξιμάδι 3/4"	4
3	8549938	Συγκόλληση Θήκης Πιρουνιού	2
4	9550127	Συγκόλληση Τριπλής Βίδας	2
5	9500146	Γρήγορος Κρίκος	2
6	9514294	Μπουλόνι με Εξάγωνη Κεφαλή 3/4"	4
7	9515573	Ετικέτα Προειδοποίησης	1
8	M970033018	Ροδέλα 3/4"	8



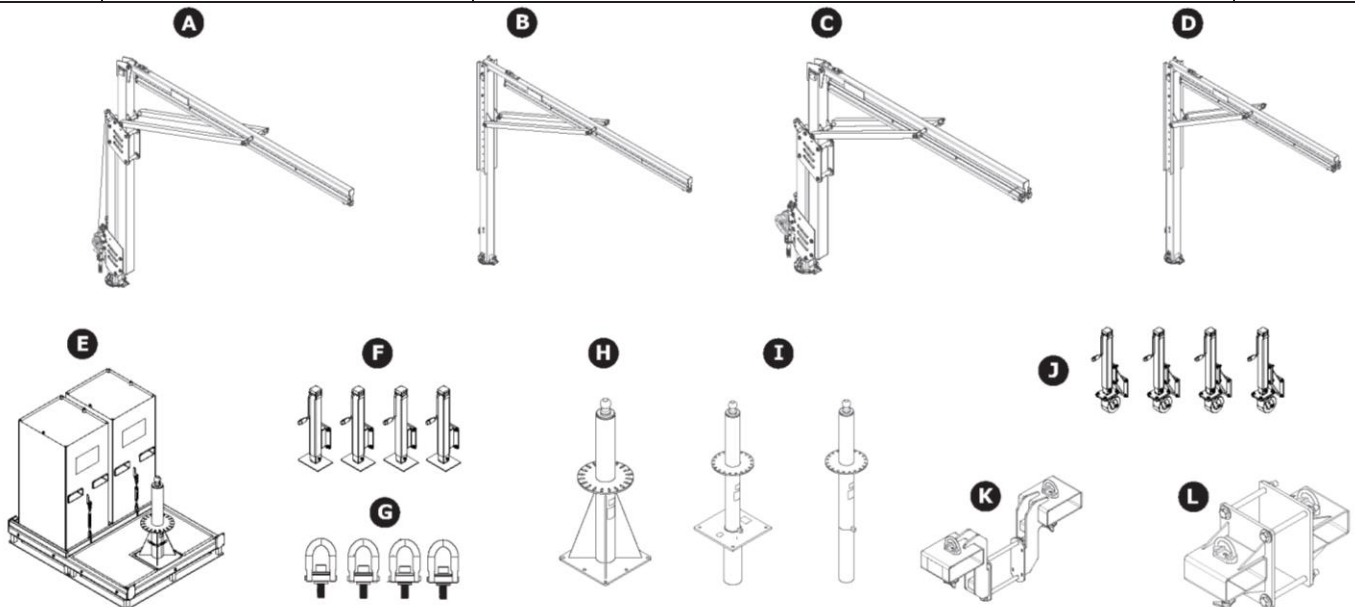


Fall Protection

3M™ DBI-SALA®
Sistemas Pescante modular M200

Hoja de Datos Técnicos Paquete
5908526 Rev. D

Leyenda	Hoja de Datos Técnicos	Descripción	Página
A	8530891	12.3 pies–15 pies (3.8 m–4.6 m) Brazo pescante modular Ajustable	110
	8530892	14.8 pies–20 pies (4.5 m–6.1 m) Brazo pescante modular Ajustable	110
	8530893	17.3 pies–25 pies (5.3 m – 7.6 m) Brazo pescante modular Ajustable	110
	8530894	19.8 pies–30 pies (6.1 m–9.1 m) Brazo pescante modular Ajustable	110
B	8530899	15 pies–20 pies (4.6 m–6.1 m) Brazo pescante modular Semifijo	112
	8530900	20 pies–25 pies (6.1 m–7.6 m) Brazo pescante modular Semifijo	112
	8530901	25 pies–30 pies (7.6 m–9.1 m) Brazo pescante modular Semifijo	112
C	8530895	12.3 pies–15 pies (3.8 m–4.6 m) Brazo pescante modular Ajustable	114
	8530896	14.8 pies–20 pies (4.5 m–6.1 m) Brazo pescante modular Ajustable	114
	8530897	17.3 pies–25 pies (5.3 m–7.6 m) Brazo pescante modular Ajustable	114
	8530898	19.8 pies–30 pies (6.1 m–9.1 m) Brazo pescante modular Ajustable	114
D	8530902	15 pies–20 pies (4.6 m–6.1 m) Brazo pescante modular Semifijo	116
	8530903	20 pies–25 pies (6.1 m–7.6 m) Brazo pescante modular Semifijo	116
	8530904	25 pies–30 pies (7.6 m–9.1 m) Brazo pescante modular Semifijo	116
E	8530886	Base contrapesada Sin Rellenar	118
	8530887	Base contrapesada Rellenada	118
F	8530907	Gatos para Base contrapesada	120
G	8530777	Anillos de Elevación para Base contrapesada	120
H	8530888	Base para Montaje a Suelo	122
I	8530889, 8530920, 8530921	Base empotrada	123
J	8530908	Ruedas de base contrapesada	120
K	8530912	Kit transporte para carretilla elevadora	125
L	8530925	Kit transporte para carretilla elevadora	126



Brazo pescante modular Ajustable

HOJA DE DATOS TÉCNICOS: 8530891-8530894



APLICACIÓN:

El pescante está diseñado para proporcionar puntos de conexión de anclaje para un sistema de Protección contra Caídas.

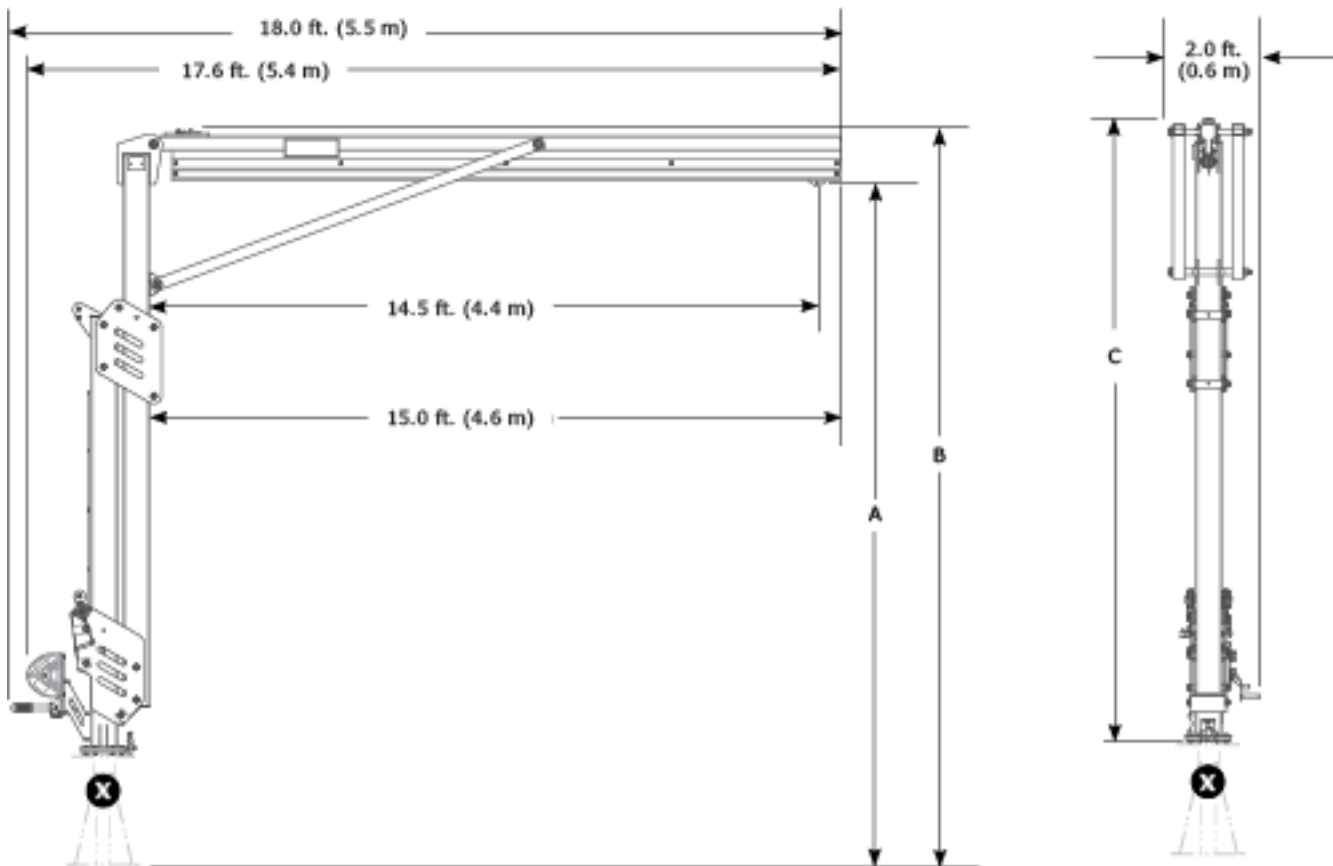
Para obtener más información sobre la instalación del producto, consulte las instrucciones del usuario.

Normas: EN795:2012 Tipo E, OSHA 1910.140, OSHA 1926.502

≤ 1350 lb.
(6 kN)

≤ 310 lb.
(140 kg)

1X



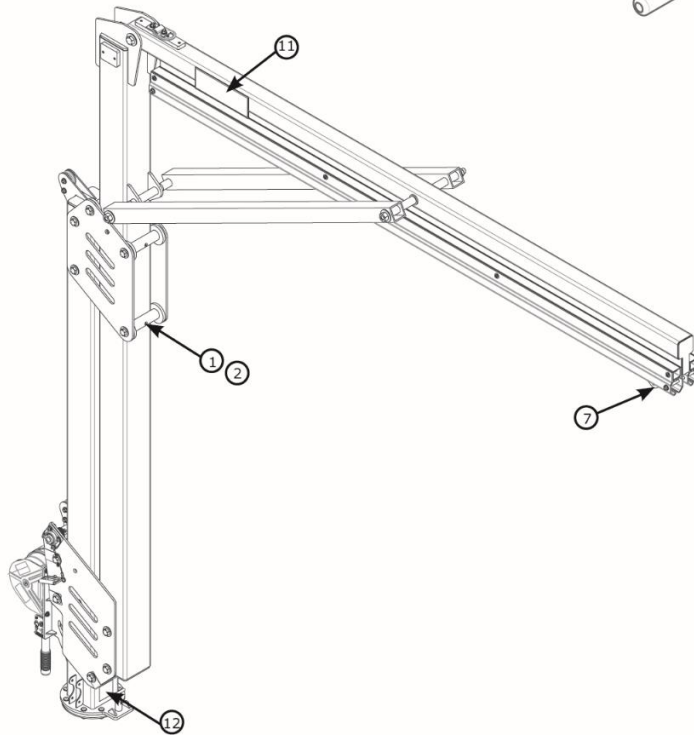
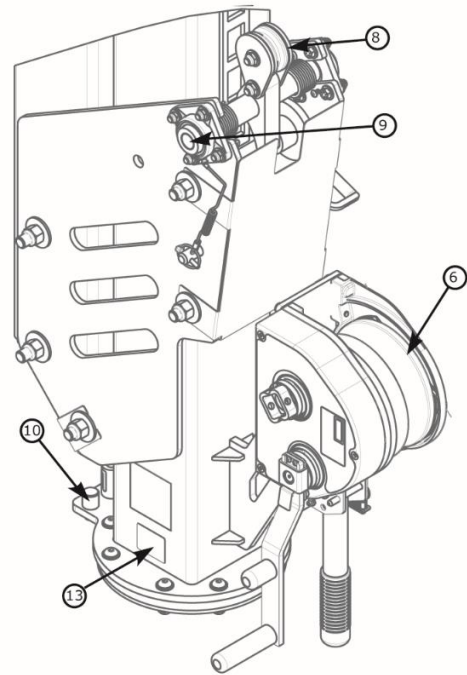
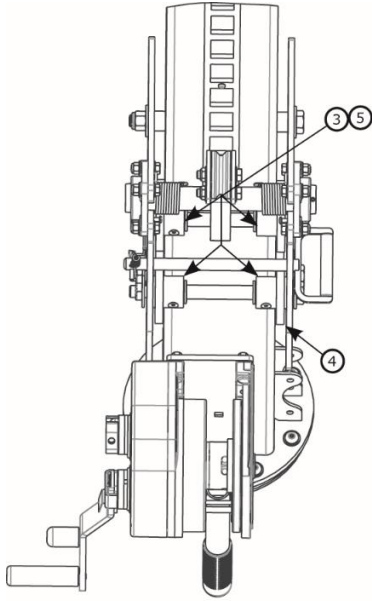
	A	B	C	lb. (kg)
8530891	12.3 pies – 15.0 pies (3.8 m – 4.6 m)	13.4 pies – 16.1 pies (4.1 m – 4.9 m)	9.8 pies – 14.8 pies (3.0 m – 4.5 pies)	945 lb. (429 kg)
8530892	14.8 pies – 20.0 pies (4.5 m – 6.1 m)	15.9 pies – 21.1 pies (4.8 m – 6.4 m)	13.5 pies – 18.7 pies (4.1 m – 5.7 m)	1,057 lb. (479 kg)
8530893	17.3 pies – 25.0 pies (5.3 m – 7.6 m)	18.4 pies – 26.1 pies (5.6 m – 8.0 m)	16.0 – 23.7 pies (4.9 m – 7.2 m)	1,169 lb. (530 kg)
8530894	19.8 pies – 30.0 pies (6.0 m – 9.1 m)	20.9 pies – 31.1 pies (6.4 m – 9.5 m)	18.5 pies – 28.7 pies (5.6 m – 8.7 m)	1,281 lb. (581 kg)

Componentes del Brazo pescante Modular

HOJA DE DATOS TÉCNICOS: 8530891-8530894



Fall Protection



Lista de Componentes				
	Número de Parte	Descripción	Material	Cantidad
1	8550046	Rodillo Ancho	Nylon	3
2	8550047	Espaciador de Rodillo Ancho	Acero Inoxidable 304	3
3	8550327	Rodillo Estrecho	Nylon	2
4	9514703	Rodillo Lateral	Nylon	8
5	8550213	Espaciador de Rodillo Estrecho	Acero Inoxidable 304	2
6	8549930	Cabrestante	Acero	1
7	8521711	Carro	Acero, Nylon	1

Lista de Componentes				
	Número de Parte	Descripción	Material	Cantidad
8	8550223	Mecanismo de Bloqueo (solo reparación autorizada)	Acero, Nylon	1
9	9515138	Cojinetes	Acero	2
10	8550398	Tope de Rotación	Aluminio	2
11	9515111	Etiqueta 3M	Poliéster	2
12	9515101	Etiqueta de Rotación	Poliéster	1
13	9514429	Etiqueta de Identificación	Poliéster	1
14	9515112	Etiqueta de Usuario	Poliéster	1

Brazo pescante modular Semifijo

HOJA DE DATOS TÉCNICOS: 8530899-8530901



APLICACIÓN:

El pescante está diseñado para proporcionar puntos de conexión de anclaje para un sistema de Protección contra Caídas.

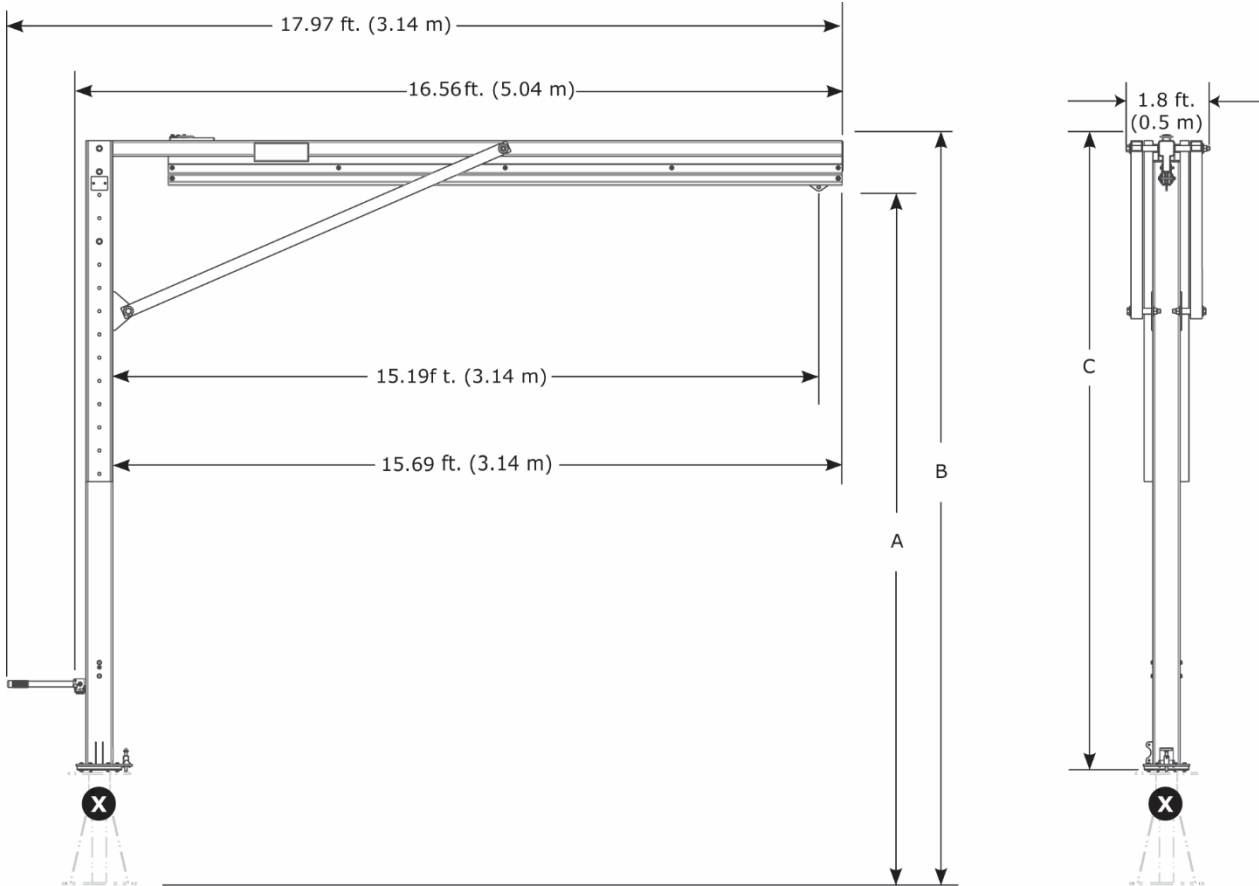
Para obtener más información sobre la instalación del producto, consulte las instrucciones del usuario.

Normas: EN795:2012 Tipo E, OSHA 1910.140, OSHA 1926.502

≤ 1350 lb.
(6 kN)

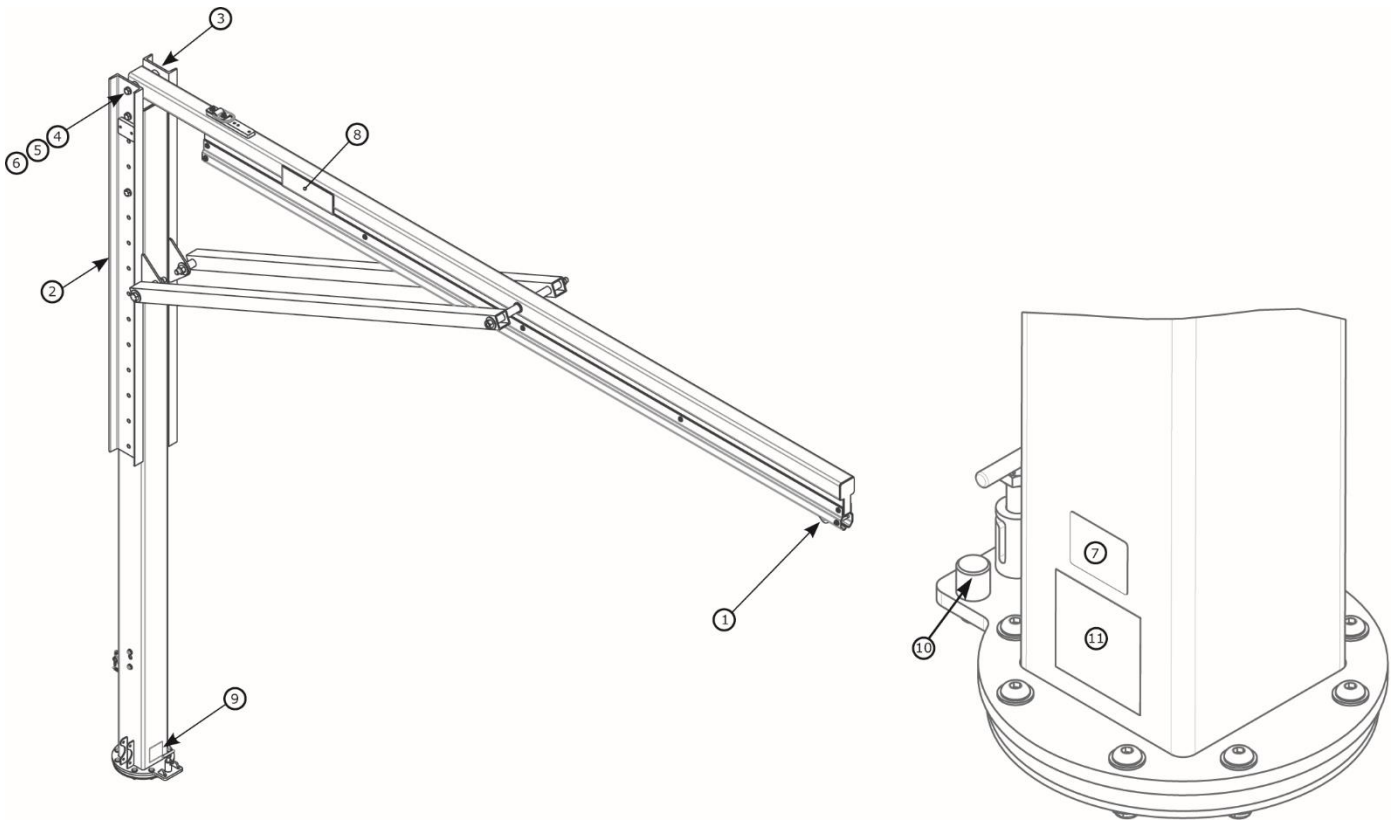
≤ 310 lb.
(140 kg)

1x



	A	B	C	lb. (kg)
8530899	15.0 pies – 20.0 pies (4.6 m – 6.1 m)	16.1 pies – 21.1 pies (4.9 m – 6.4 m)	13.7 pies – 18.7 pies (4.2 m – 5.7 m)	818 lb. (371 kg)
8530900	20.0 pies – 25.0 pies (6.1 m – 7.6 m)	21.1 pies – 26.1 pies (6.4 m – 7.9 m)	18.7 pies – 23.7 pies (5.7 m – 7.2 m)	930 lb. (422 kg)
8530901	25.0 pies – 30.0 pies (7.6 m – 9.1 m)	26.1 pies – 31.1 pies (7.9 m – 9.6 m)	23.7 pies – 28.7 pies (7.2 m – 8.7 m)	1,041 lb. (472 kg)
	+6" (152 mm) incrementos de ajuste			

Componentes Semifijos del Brazo pescante Modular
HOJA DE DATOS TÉCNICOS: 8530899-8530901



	Número de Parte	Descripción	Material	Cantidad		Número de Parte	Descripción	Material	Cantidad
1	8521711	Carro	Acero Inoxidable, Acero, Nylon	1	8	9515111	Etiqueta 3M	Poliéster	2
2	8549933	Canal de Montaje de Rescate	Acero	1	9	9515101	Etiqueta de Rotación	Poliéster	1
3	8550248	Canal	Acero	1	10	8550398	Tope de Rotación	Aluminio	2
4	8526654	Perno de 3/4" x 9"	Acero	2	11	9515112	Etiqueta de Usuario	Poliéster	1
5	8522275	Arandela de 3/4"	Acero	4					
6	8518276	Tuerca de 3/4"	Acero	2					
7	9514429	Etiqueta de Identificación	Poliéster	1					

Brazo pescante modular Ajustable

HOJA DE DATOS TÉCNICOS: 8530895-8530898



APLICACIÓN:

El pescante está diseñado para proporcionar puntos de conexión de anclaje para un sistema de Protección contra Caídas.

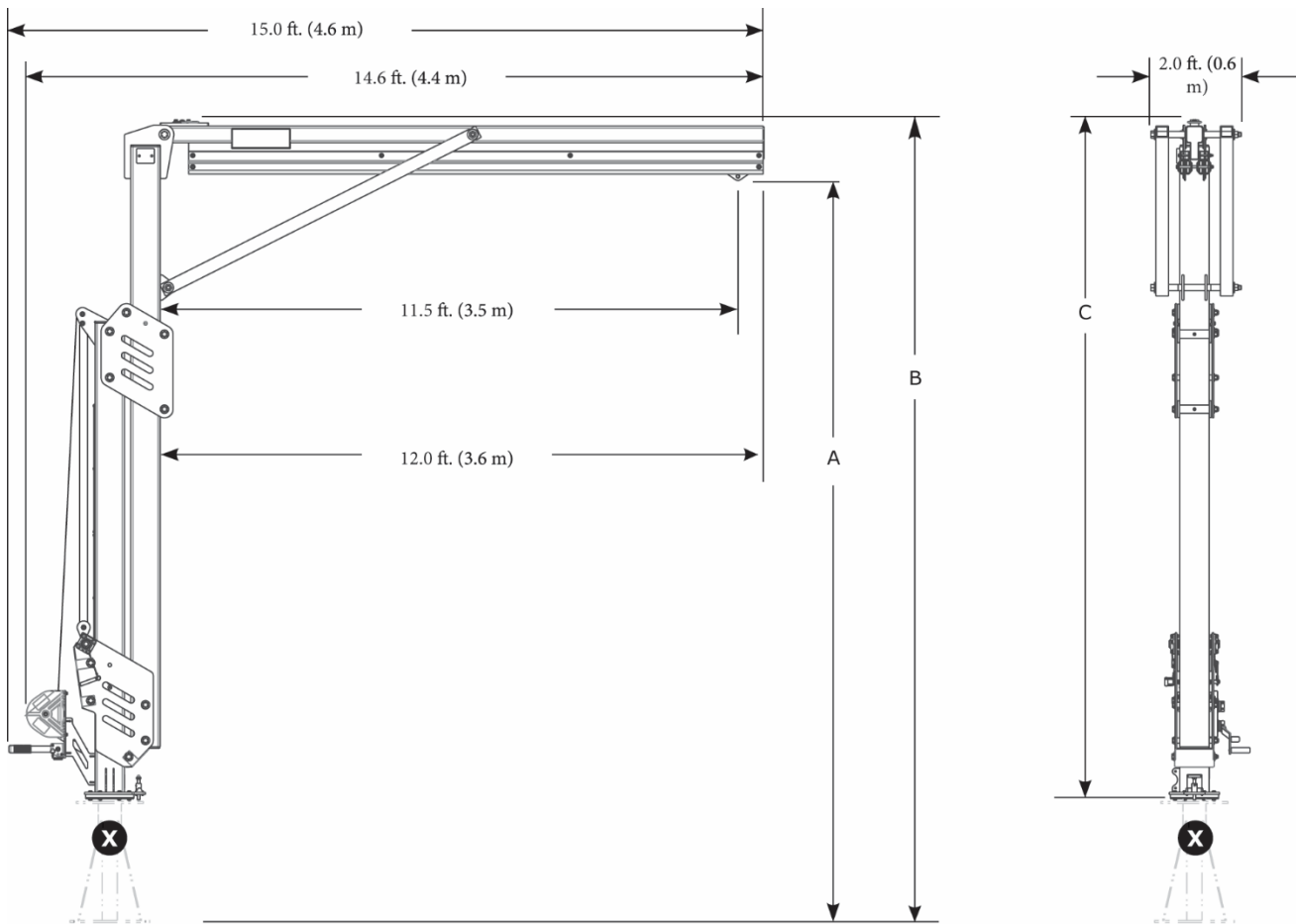
Para obtener más información sobre la instalación del producto, consulte las instrucciones del usuario.

Normas: CEN/TS 16415:2013 Tipo E, EN795:2012 Tipo E, OSHA 1910.140, OSHA 1926.502

≤ 1350 lb.
(6 kN)

≤ 310 lb.
(140 kg)

2x



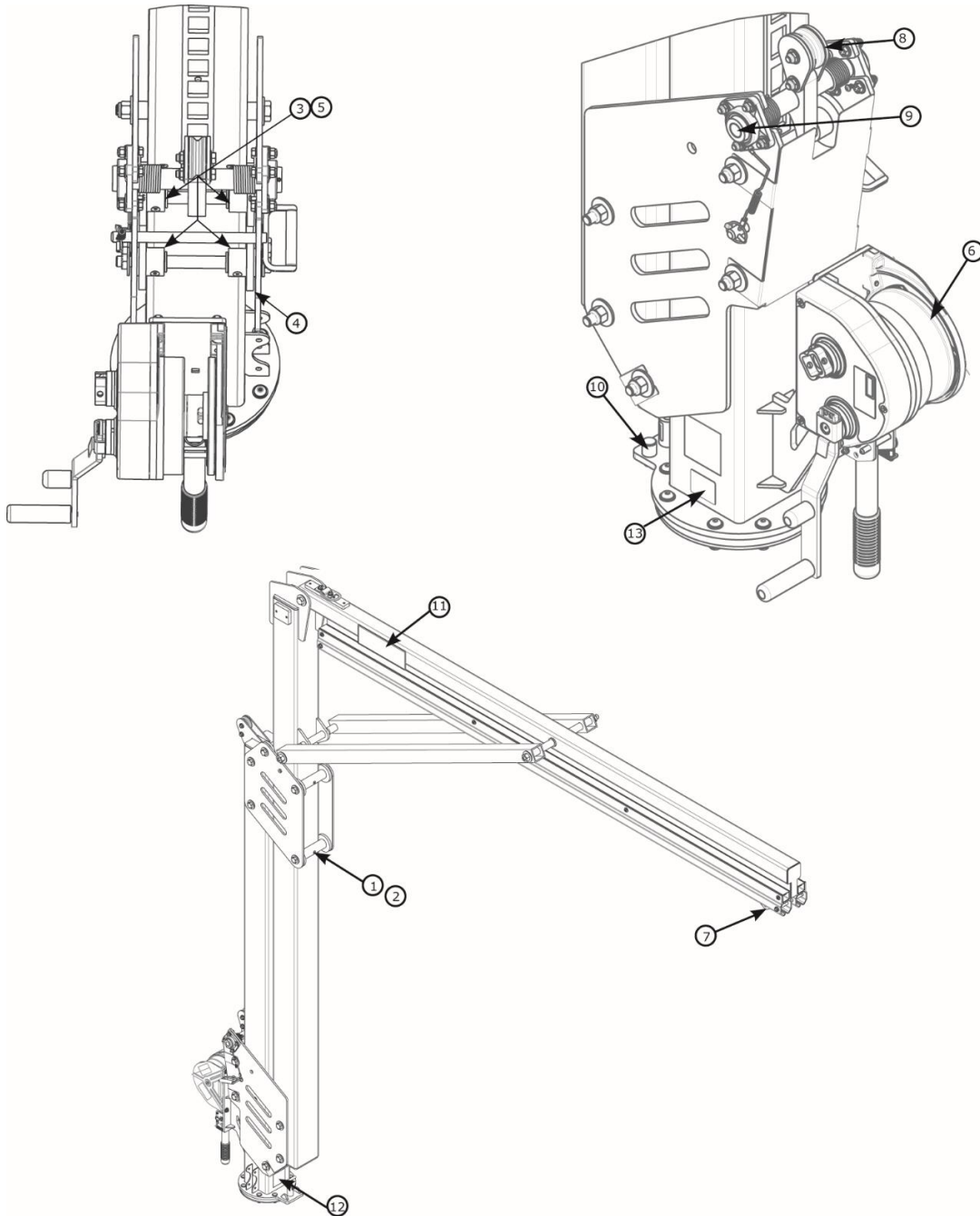
	A	B	C	lb. (kg)
8530895	12.3 pies – 15.0 pies (3.8 m – 4.6 m)	13.4 pies – 16.1 pies (4.1 m – 4.9 m)	11.0 pies – 13.7 pies (3.4 m – 4.2 m)	1,011 lb. (459 kg)
8530896	14.8 pies – 20.0 pies (4.5 m – 6.1 m)	15.9 pies – 21.1 pies (4.8 m – 6.4 m)	13.5 pies – 18.7 pies (4.1 m – 5.7 m)	1,123 lb. (509 kg)
8530897	17.3 pies – 25.0 pies (5.3 m – 7.6 m)	18.4 pies – 26.1 pies (5.6 m – 8.0 m)	16.0 – 23.7 pies (4.9 m – 7.2 m)	1,235 lb. (560 kg)
8530898	19.8 pies – 30.0 pies (6.0 m – 9.1 m)	20.9 pies – 31.1 pies (6.4 m – 9.5 m)	18.5 pies – 28.7 pies (5.6 m – 8.7 m)	1,343 lb. (609 kg)

Componentes del Brazo pescante Modular

HOJA DE DATOS TÉCNICOS: 8530895-8530898

3M

**DBI
SALA®**
Fall Protection



Lista de Componentes

	Número de Parte	Descripción	Material	Cantidad
1	8550046	Rodillo Ancho	Nylon	3
2	8550047	Espaciador de Rodillo Ancho	Acero Inoxidable 304	3
3	8550327	Rodillo Estrecho	Nylon	2
4	9514703	Rodillo Lateral	Nylon	8
5	8550213	Espaciador de Rodillo Estrecho	Acero Inoxidable 304	2
6	8549930	Cabrestante	Acero	1
7	8521711	Carro	Acero, Nylon	1

Lista de Componentes

	Número de Parte	Descripción	Material	Cantidad
8	8550223	Mecanismo de Bloqueo (solo reparación autorizada)	Acero, Nylon	1
9	9515138	Cojinetes	Acero	2
10	8550398	Tope de Rotación	Aluminio	2
11	9515111	Etiqueta 3M	Poliéster	2
12	9515101	Etiqueta de Rotación	Poliéster	1
13	9514429	Etiqueta de Identificación	Poliéster	1
14	9515112	Etiqueta de Usuario	Poliéster	1

Brazo pescante modular Semifijo

HOJA DE DATOS TÉCNICOS: 8530902-8530904



APLICACIÓN:

El pescante está diseñado para proporcionar puntos de conexión de anclaje para un sistema de Protección contra Caídas.

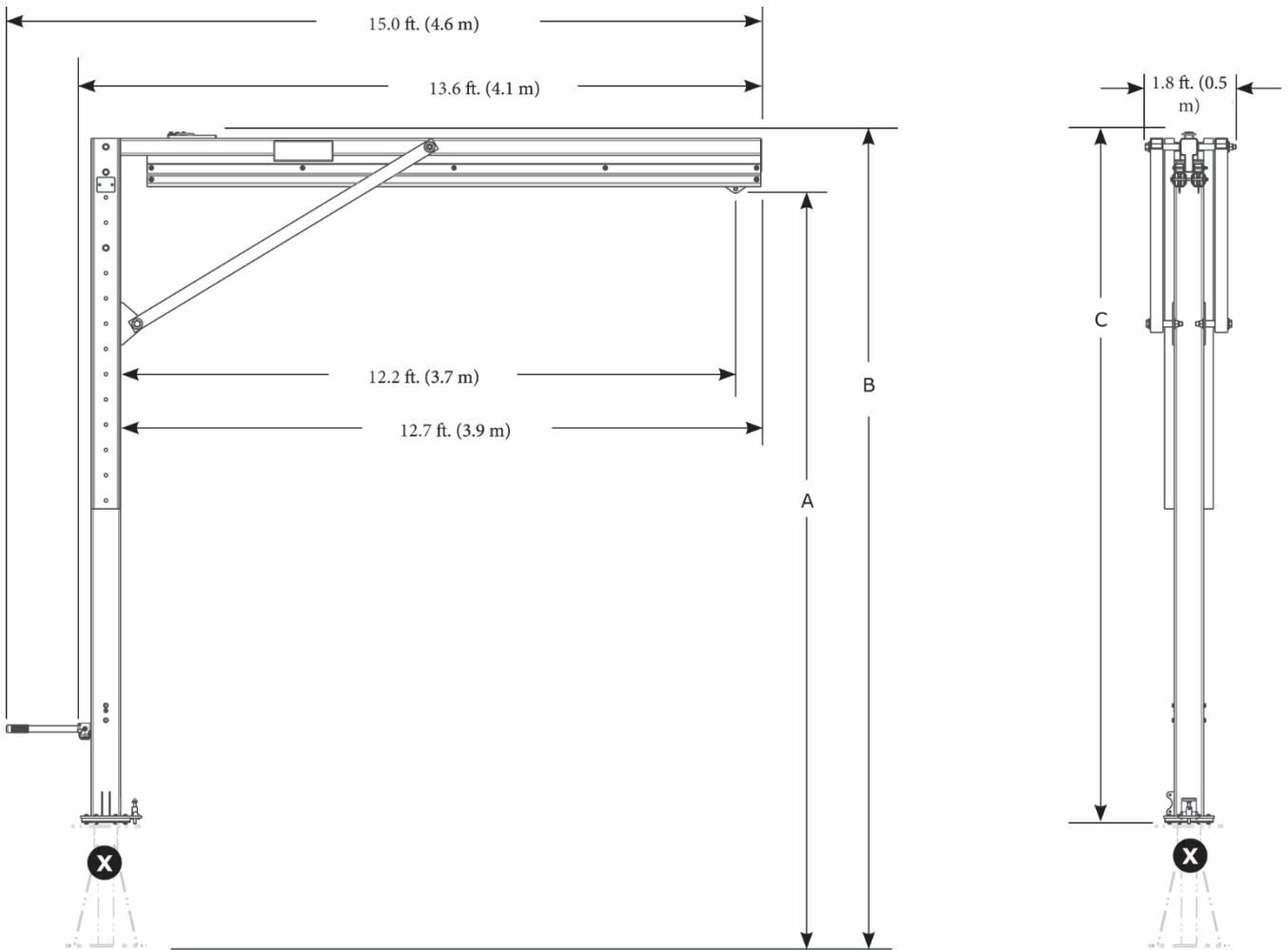
Para obtener más información sobre la instalación del producto, consulte las instrucciones del usuario.

Normas: CEN/TS 16415:2013 Tipo E, EN795:2012 Tipo E, OSHA 1910.140, OSHA 1926.502

≤ 1350 lb.
(6 kN)

≤ 310 lb.
(140 kg)

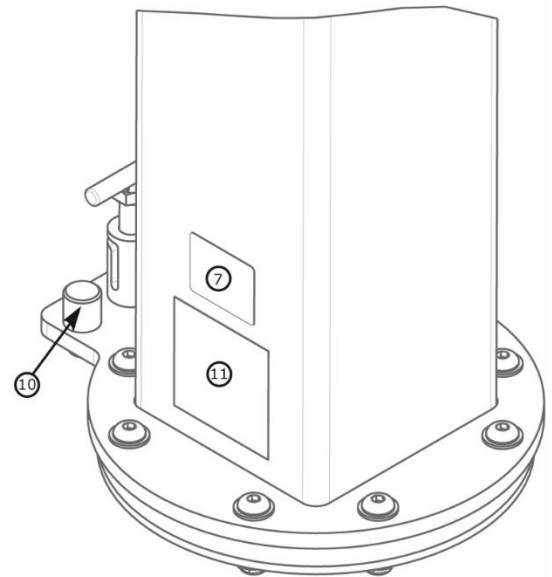
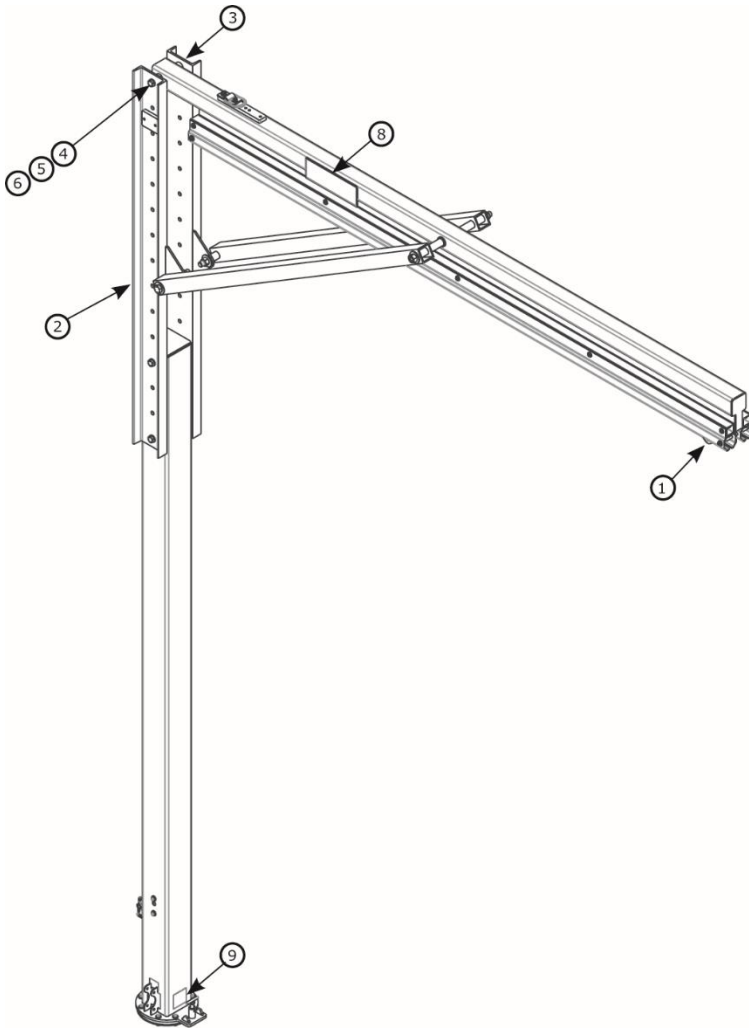
2x



	A	B	C	lb. (kg)
8530902	15.0 pies – 20.0 pies (4.6 m – 6.1 m)	16.1 pies – 21.1 pies (4.9 m – 6.4 m)	13.7 pies – 18.7 pies (4.2 m – 5.7 m)	850 lb. (386 kg)
8530903	20.0 pies – 25.0 pies (6.1 m – 7.6 m)	21.1 pies – 26.1 pies (6.4 m – 7.9 m)	18.7 pies – 23.7 pies (5.7 m – 7.2 m)	961 lb. (436 kg)
8530904	25.0 pies – 30.0 pies (7.6 m – 9.1 m)	26.1 pies – 31.1 pies (7.9 m – 9.6 m)	23.7 pies – 28.7 pies (7.2 m – 8.7 m)	1,073 lb. (487 kg)

Componentes Semifijos del Brazo pescante Modular

HOJA DE DATOS TÉCNICOS: 8530902-8530904



	Número de Parte	Descripción	Material	Cantidad
1	8521711	Carro	Acero Inoxidable, Acero, Nylon	1
2	8549933	Canal de Montaje de Rescate	Acero	1
3	8550248	Canal	Acero	1
4	8526654	Perno de 3/4" x 9"	Steel	2
5	8522275	Arandela de 3/4"	Steel	4
6	8518276	Tuerca de 3/4"	Steel	2
7	9514429	Etiqueta de Identificación	Poliéster	1

	Número de Parte	Descripción	Material	Cantidad
8	9515111	Etiqueta 3M	Poliéster	2
9	9515101	Etiqueta de Rotación	Poliéster	1
10	8550398	Tope de Rotación	Aluminio	2
11	9515112	Etiqueta de Usuario	Poliéster	1

Base contrapesada M200

HOJA DE DATOS TÉCNICOS: 8530886, 8530887



APLICACIÓN:

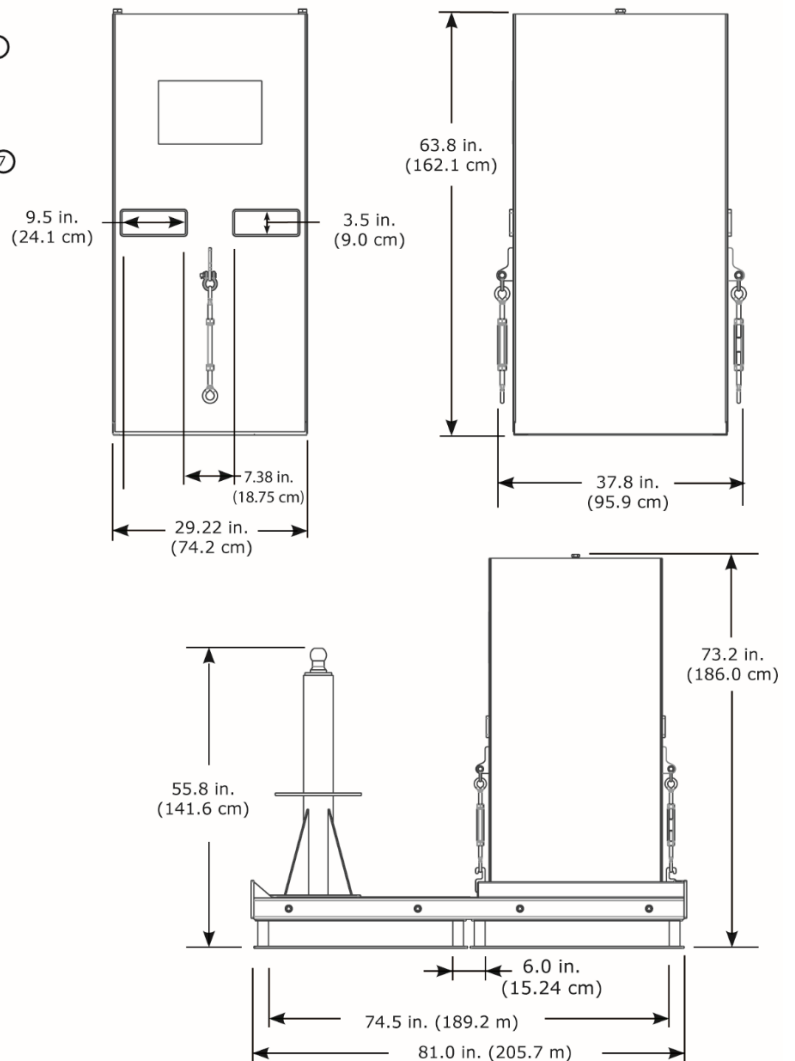
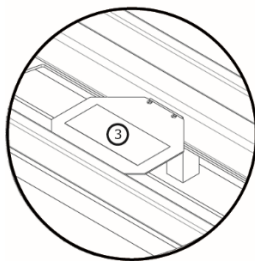
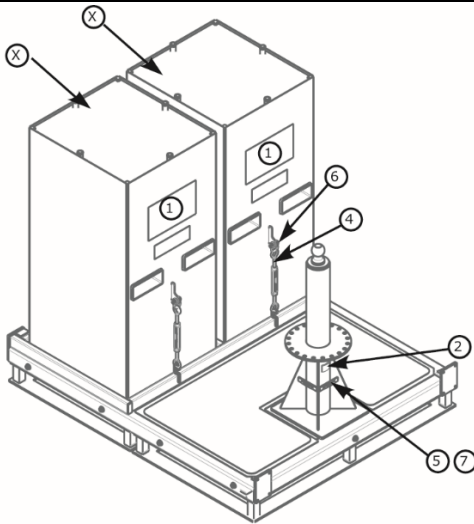
La base del pescante está diseñada para ser utilizada como punto de montaje para el Sistema de pescante.

Para obtener más información sobre la instalación del producto, consulte las instrucciones del usuario.

Normas: CEN/TS 16415:2013 Tipo E, EN795:2012 Tipo E, OSHA 1910.140, OSHA 1926.502

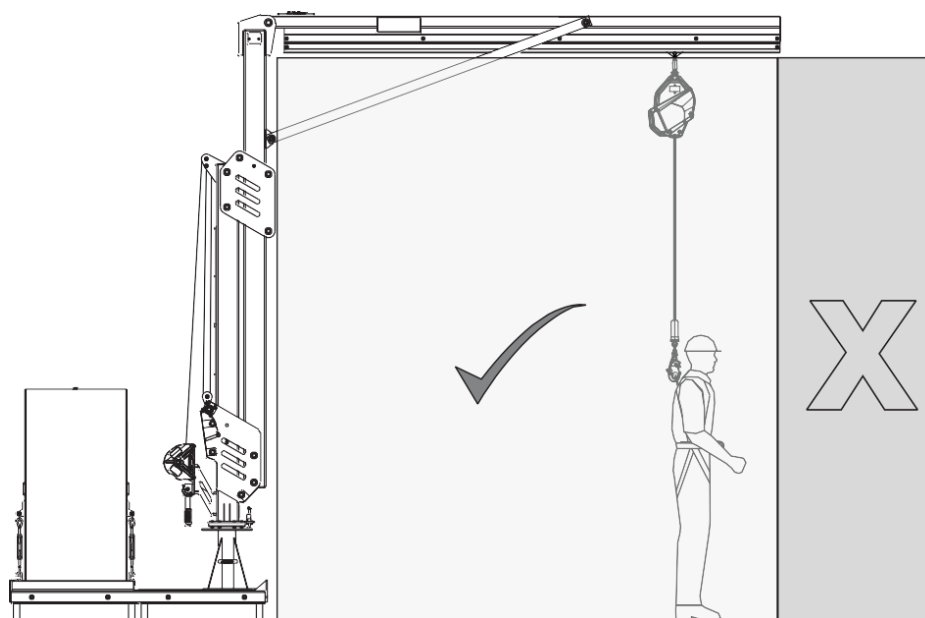
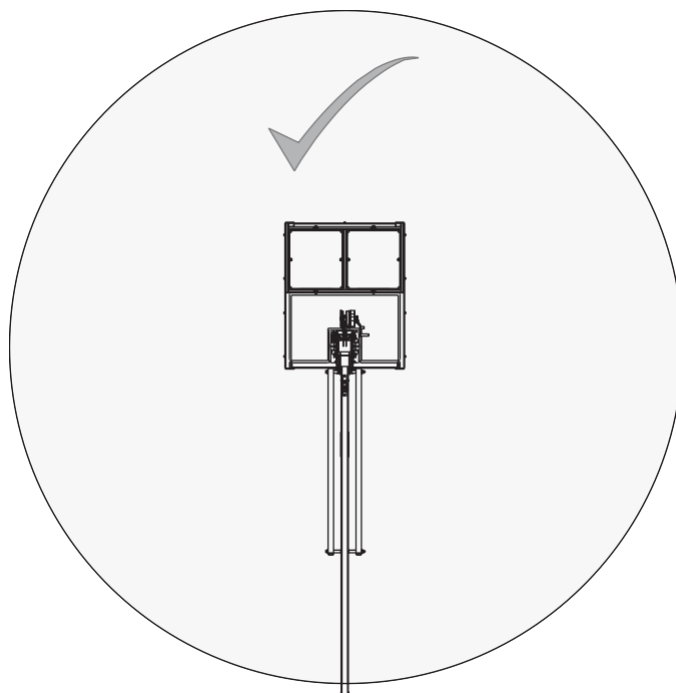
	X 4,000 psi (30 MPa)	Requisitos de Estructura de Descanso	Peso
8530886		14,645 lb. (6,643 kg)	2,407 lb. (1,092 kg)
8530887	✓	+ Peso del brazo pescante M100	11,325 lb. (5,137 kg)

Lista de Componentes				
	Número de Parte	Descripción	Material	Cantidad
1	9515107	Etiqueta de Usuario	Poliéster	1
2	9514429	Etiqueta de Identificación	Poliéster	1
3	9515106	Etiqueta de Advertencia	Poliéster	1
4	8520575	Tensor	Acero	2
5	9513627	Tornillo #4	Acero	4
6	9501794	Grillete	Acero	2
7	9515058	Burbuja de Nivel	Plástico	2
8	9515566	Etiqueta de Advertencia	Poliéster	4



APLICACIÓN:

Consulta el diagrama a continuación para ver el área de trabajo del producto.



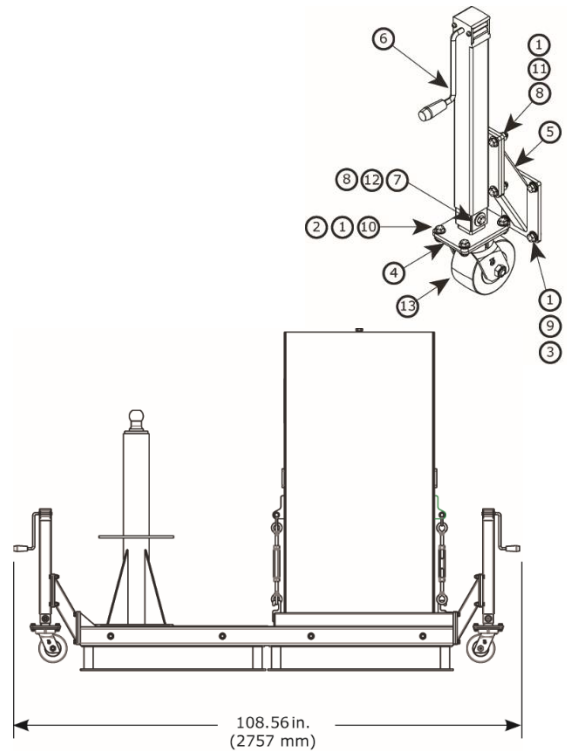
Ruedas de base contrapesada

HOJA DE DATOS TÉCNICOS: 8530907, 8530908, 8530777

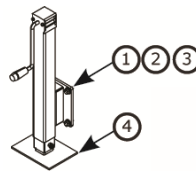


Fall Protection

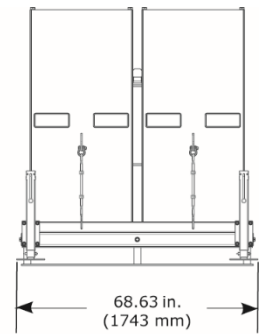
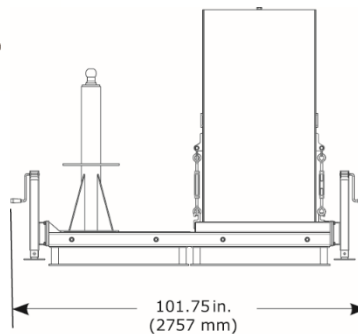
Lista de Componentes				
	Número de Parte	Descripción	Material	Cantidad
1	8510037	Arandela de 1/2"	Acero	80
2	8512460	Perno de 1/2" x 1 1/4"	Acero	16
3	8518432	Perno de 1/2" x 1"	Acero	16
4	8550153	Conjunto Soldado de Rueda	Acero	4
5	8550155	Conjunto Soldado Angular	Acero	4
6	8550156	Soldadura montada	Acero	4
7	9501243	Arandela de 1/2"	Acero	8
8	9501831	Tuerca Hexagonal de 1/2"	Acero	20
9	9504221	Arandela de 1/2"	Acero	16
10	9504813	Tuerca Hexagonal de 1/2"	Acero	16
11	9509276	Perno de 1/2" x 1 3/4"	Acero	16
12	9510153	Perno de 1/2" x 3 1/4"	Acero	4
13	9515081	Rueda Giratoria	Acero, Uretano	4



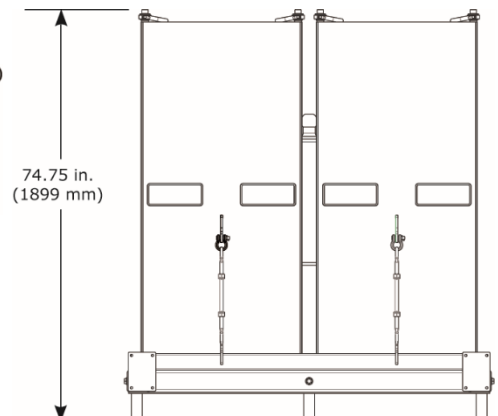
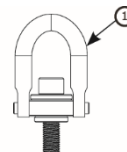
	8530907	8530908	8530777
Peso	108 lb. (49 kg)	152 lb. (69 kg)	12 lb. (5.4 kg)



	Número de Parte	Descripción	Material	Cantidad
1	9504221	Arandela de seguridad de 1/2"	Acero	16
2	8510037	Arandela de 1/2"	Acero	16
3	8518432	Perno de 1/2" x 1"	Acero	16
4	8550177	Soldadura de rueda	Acero	4





Lista de Componentes				
	Número de Parte	Descripción	Material	Cantidad
1	9512574	Anillo de Elevación	Acero	4

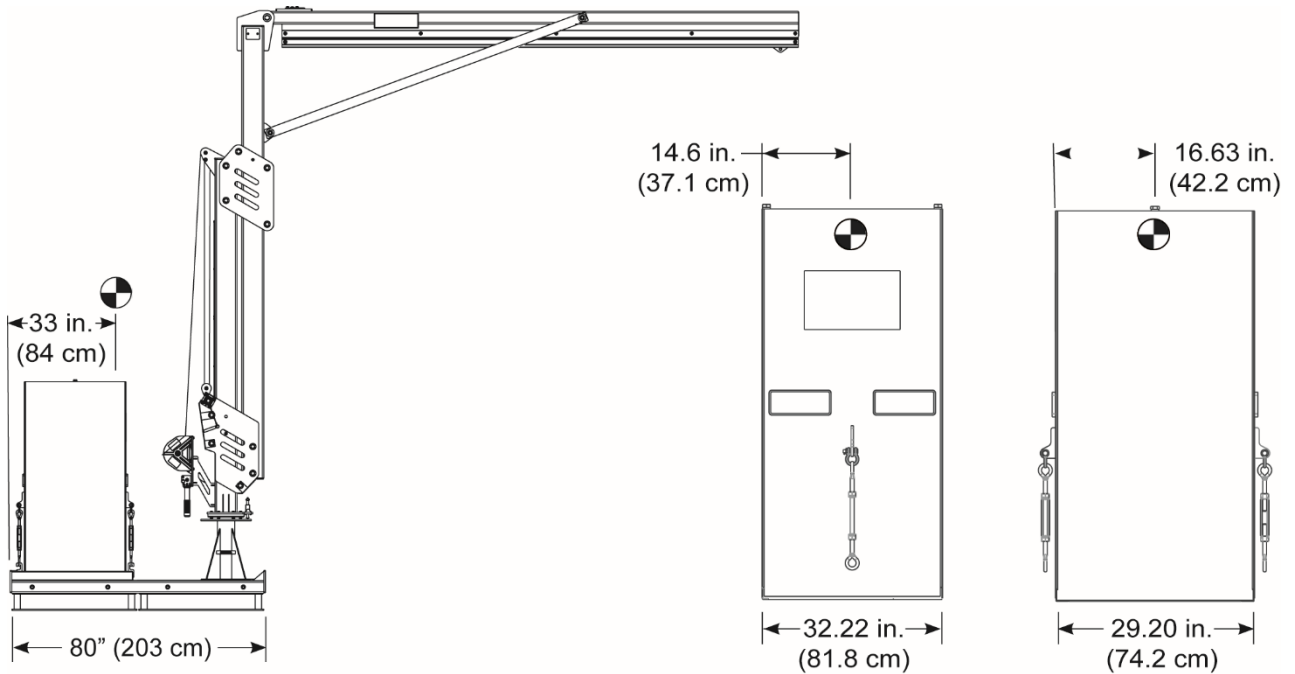



Centro de Gravedad de la Base contrapesada M200
HOJA DE DATOS TÉCNICOS: 8530886, 8530887




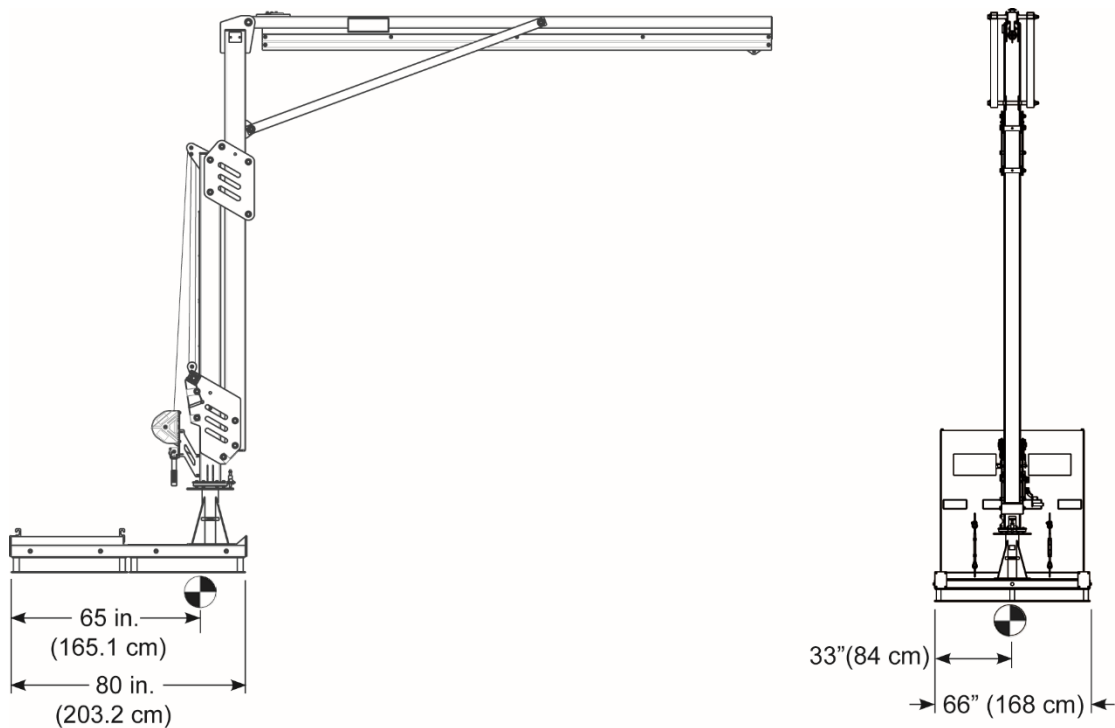
8530887	8530898
 .lb (kg)	12,668 lbs. (5,746 kg)

 .lb (kg)	5,000 lbs. (2,268 kg)
--	--------------------------



8530887	8530898
 .lb (kg)	2,668 lbs. (1,210 kg)

8530887	8530898
 .lb (kg)	12,668 lbs. (5,746 kg)



Base para Montaje a Suelo M200

HOJA DE DATOS TÉCNICOS: 8530888



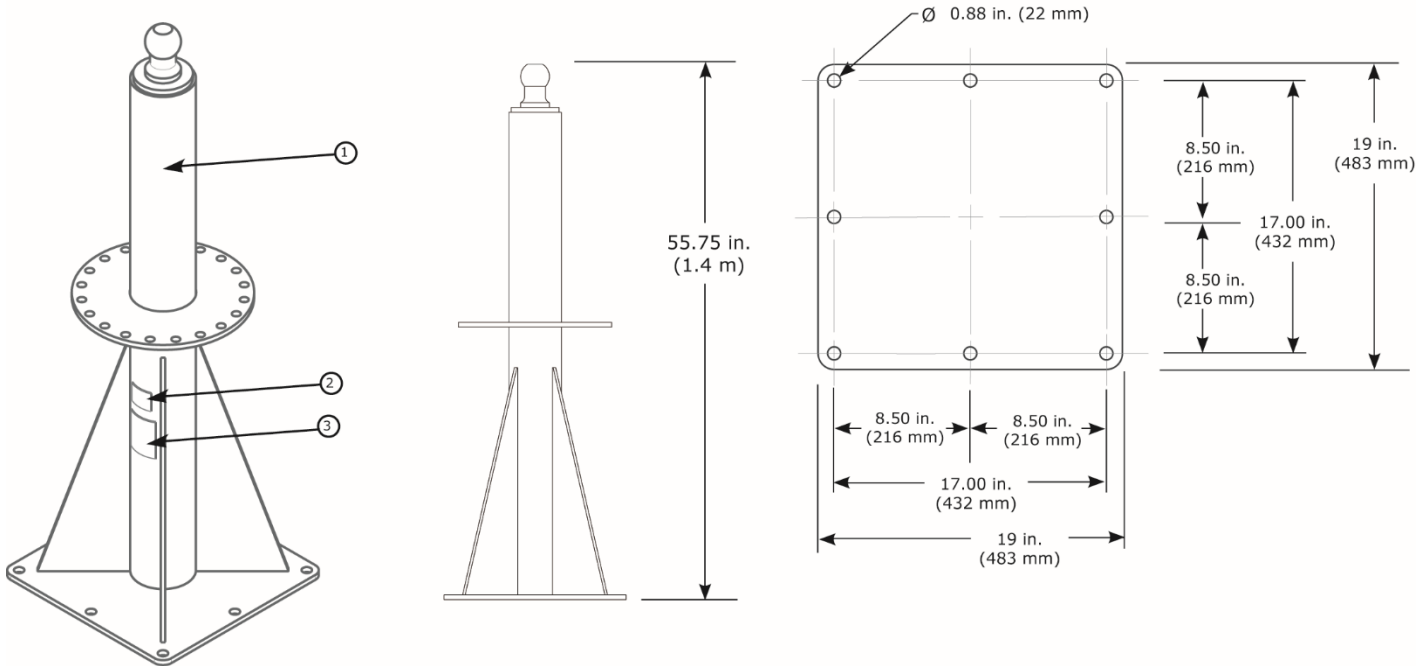
APLICACIÓN:

La base del pescante está diseñada para ser utilizada como punto de montaje para el Sistema de pescante.

Para obtener más información sobre la instalación del producto, consulte las instrucciones del usuario.

Normas: CEN/TS 16415:2013 Tipo A, EN795:2012 Tipo A, OSHA 1910.140, OSHA 1926.502

	Peso
8530888	265 lb. (120 kg)



Lista de Componentes				
	Número de Parte	Descripción	Material	Cantidad
1	8549921	Conjunto Soldado de Base	Acero	1
2	9514429	Etiqueta de Identificación	Poliéster	1
3	9515114	Etiqueta de Usuario	Poliéster	1

Requisitos de Montaje		
Fuerza Mínima de Extracción del Sujetador	Carga Mínima de Momento de la Estructura de Montaje	Carga Mínima Vertical de la Estructura de Montaje
9,386 lb. (4,257 kg)	501,633 in.-lb. (56,677 N-m)	3,320 lb. (1,506 kg) + Peso de la base + Peso del brazo pescante M200

Base empotrada M200

HOJA DE DATOS TÉCNICOS: 8530889, 8530920, 8530921



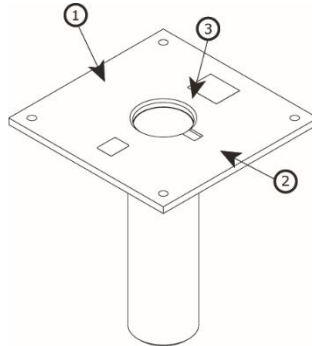
APLICACIÓN:

La base del pescante está diseñada para ser utilizada como punto de montaje para el Sistema de pescante.

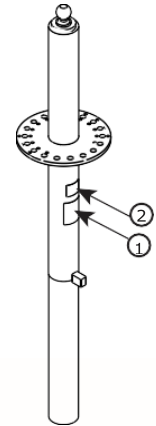
Para obtener más información sobre la instalación del producto, consulte las instrucciones del usuario.

Normas: CEN/TS 16415:2013, EN795:2012 Tipo A, OSHA 1910.140, OSHA 1926.502

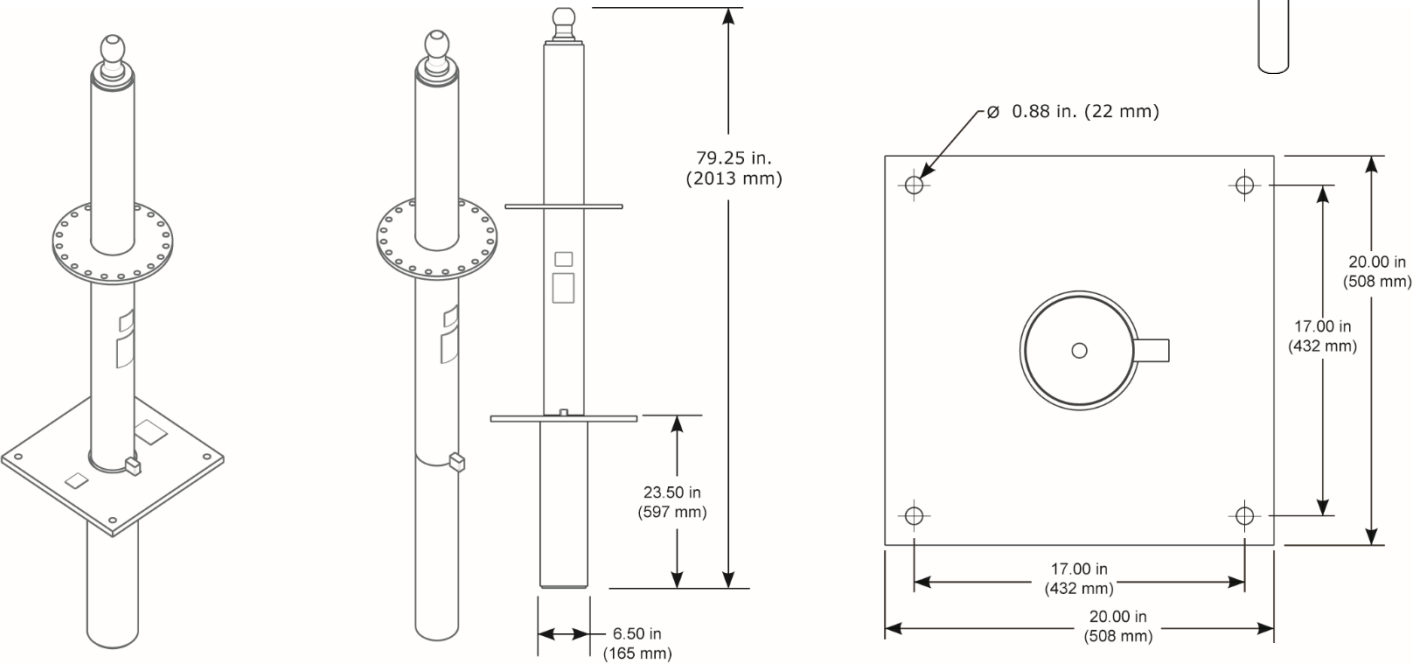
	Peso
8530920	140 lb. (64 kg)



	Peso
8530921	237 lb. (107 kg)



	Peso
8530889	377 lb. (171 kg)

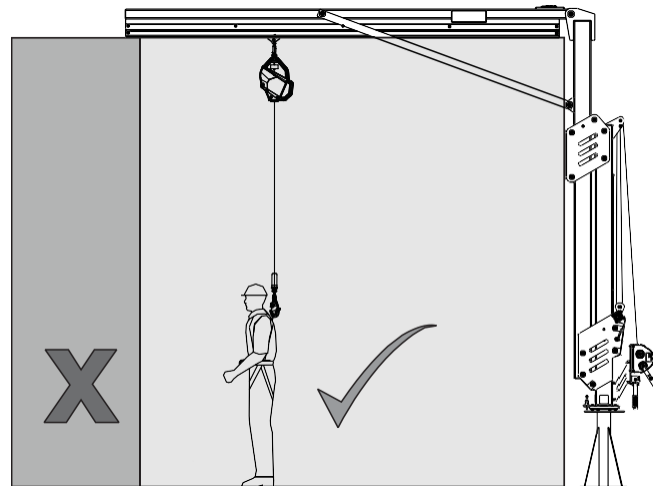
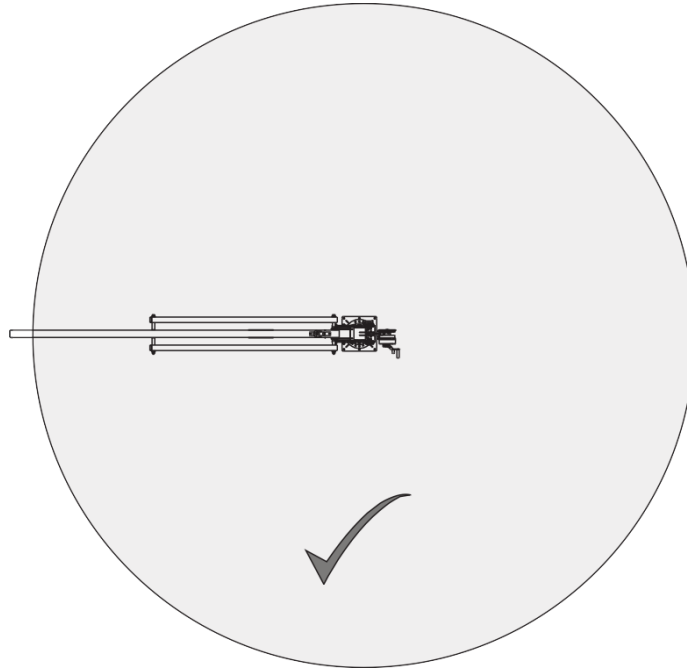


Lista de Componentes				
	Número de Parte	Descripción	Material	Cantidad
1	9515114	Etiqueta de Usuario	Poliéster	1
2	9514429	Etiqueta de Identificación	Poliéster	1
3	8550165	Tapa de Base	Goma de aluminio	1

Requisitos de Montaje	
Carga Mínima de Momento de la Estructura de Montaje	Carga Mínima Vertical de la Estructura de Montaje
501,633 in-lb. (56,677 N-m)	3,320 lb. (1,506 kg) + Peso de la base + Peso del brazo pescante M200

APLICACIÓN:

7cbgi 'hU'Y''X]U[fUa U'U'W&bh}bi UVWCB'dufU'j Yf'Y''z fYU'XY'fFUVU'c'XY''dfcXi Wtc''



Kit de transporte para carretilla elevadora

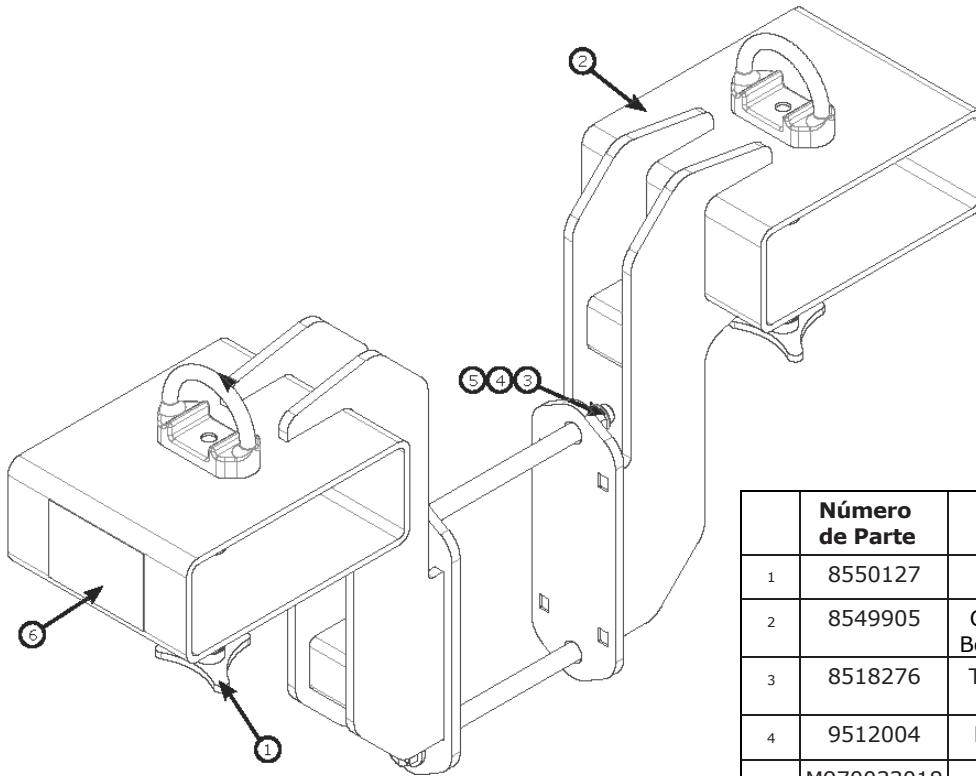
HOJA DE DATOS TÉCNICOS: 8530912



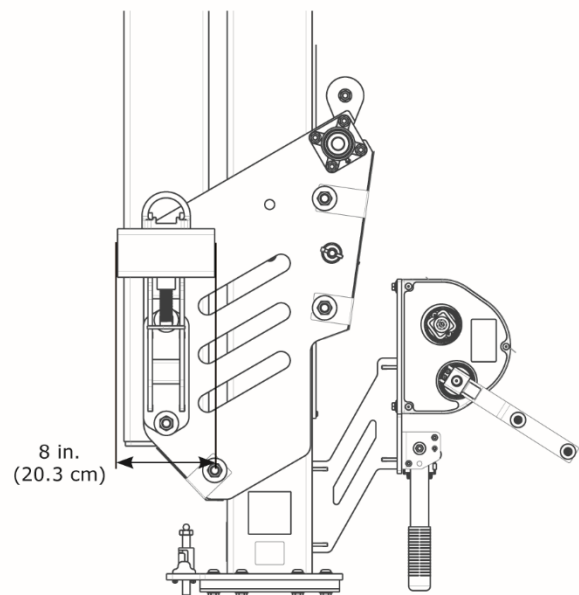
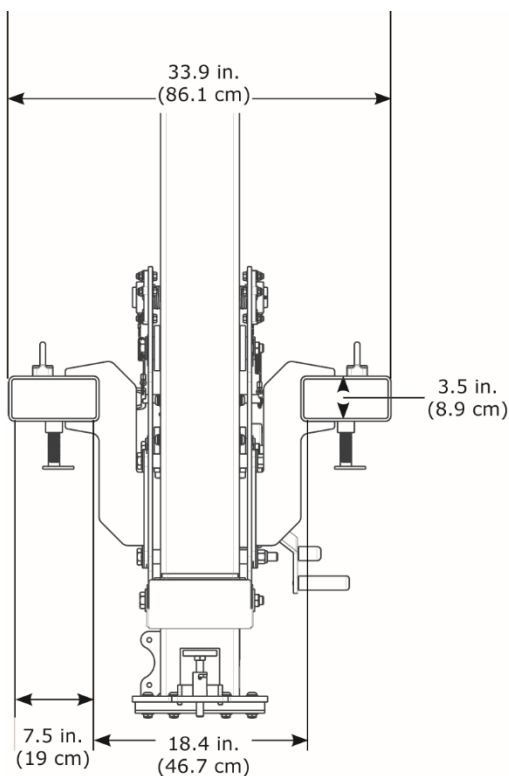
APLICACIÓN:

Este modelo de kit transporte para carretilla elevadora está diseñado para transportar los modelos de pescante operados por cabrestante **8530891-8530898**.

Para obtener más información sobre la instalación de componentes, consulta el manual de instrucciones de 3M.



	Número de Parte	Componente	Cantidad
1	8550127	Tornillo Triple	2
2	8549905	Conjunto Soldado de Bolsillo para Horquillas	2
3	8518276	Tuerca Hexagonal de 3/4"	2
4	9512004	Perno de 3/4" X 12"	2
5	M970033018	Arandela de 3/4"	4
6	9515122	Etiqueta de Usuario	1
	9500146	Eslabón de Cadena	2
	8517096	Cadena	10 pies



Kit de transporte para carretilla elevadora

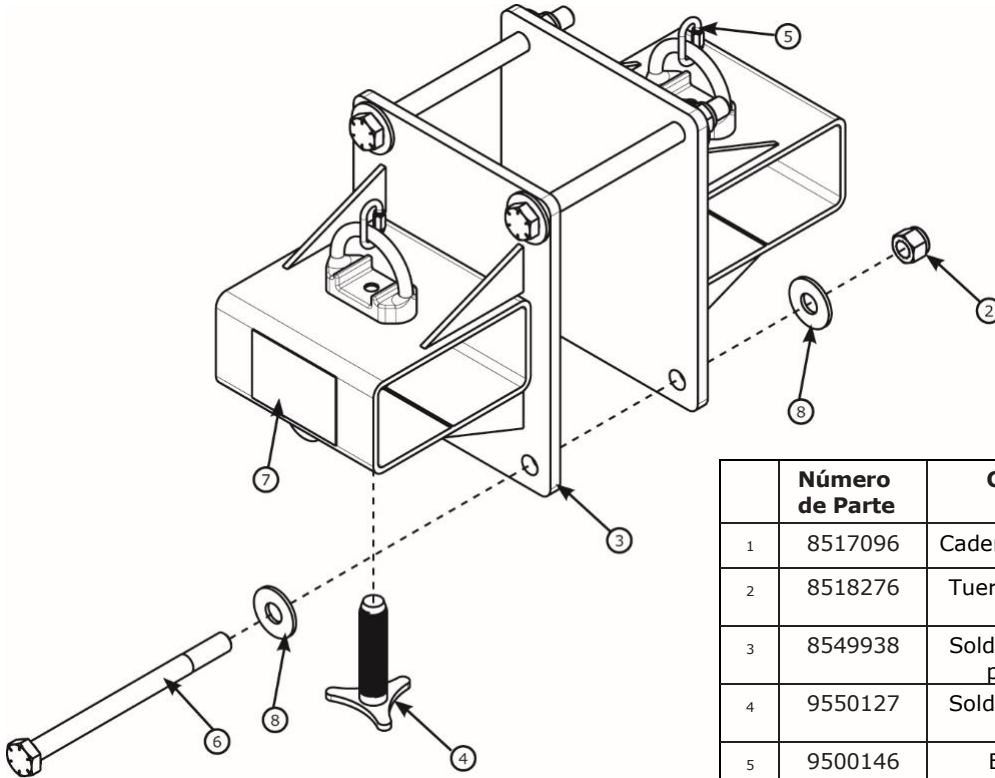
HOJA DE DATOS TÉCNICOS: 8530925



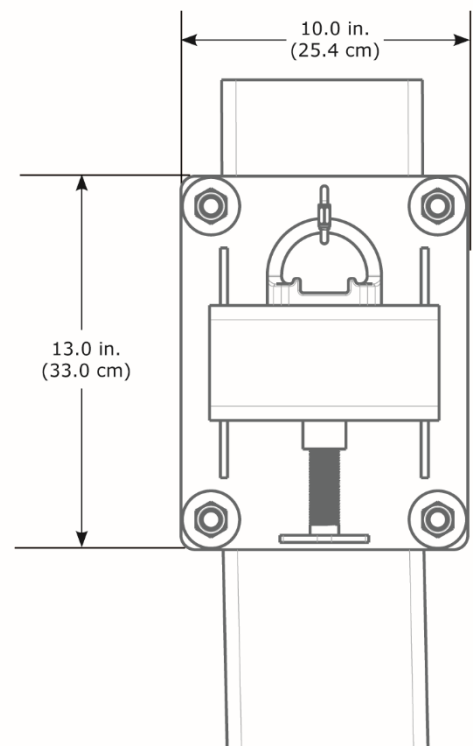
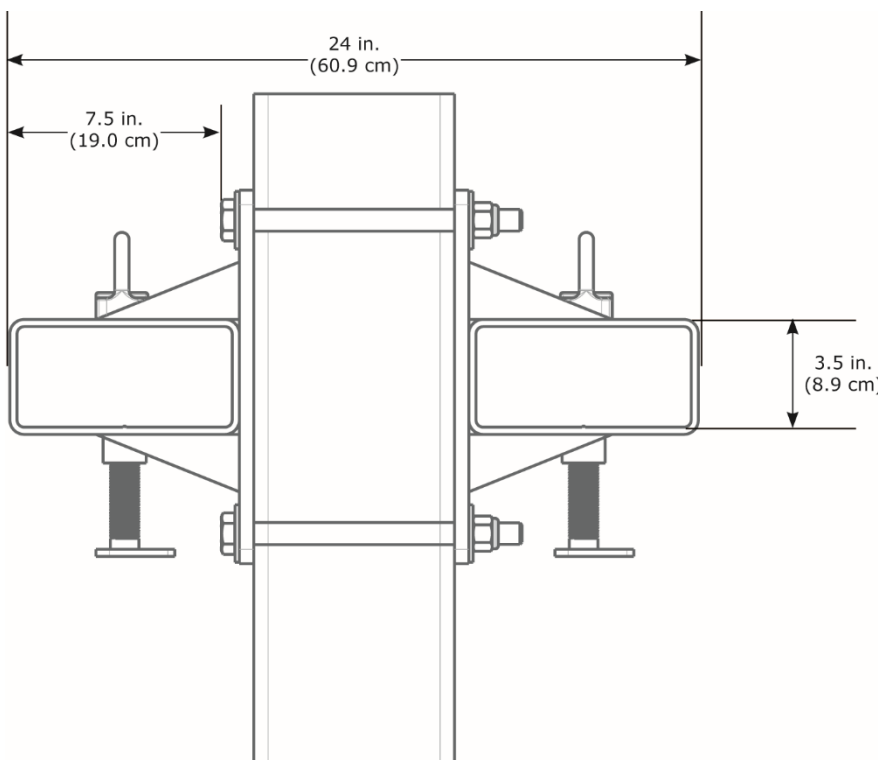
APLICACIÓN:

Este modelo de kit transporte para carretilla elevadora está diseñado para transportar el pescante con modelos de canal de ajuste **8530899-8530904**.

Para obtener más información sobre la instalación de componentes, consulta el manual de instrucciones de 3M.



	Número de Parte	Componente	Cantidad
1	8517096	Cadena (no mostrada)	10 pies
2	8518276	Tuerca hexagonal de 3/4"	4
3	8549938	Soldadura de bolsillo para horquilla	2
4	9550127	Soldadura de tornillo triple	2
5	9500146	Enlace rápido	2
6	9514294	Perno de cabeza hexagonal de 3/4"	4
7	9515573	Etiqueta de advertencia	1
8	M970033018	Arandela de 3/4"	8



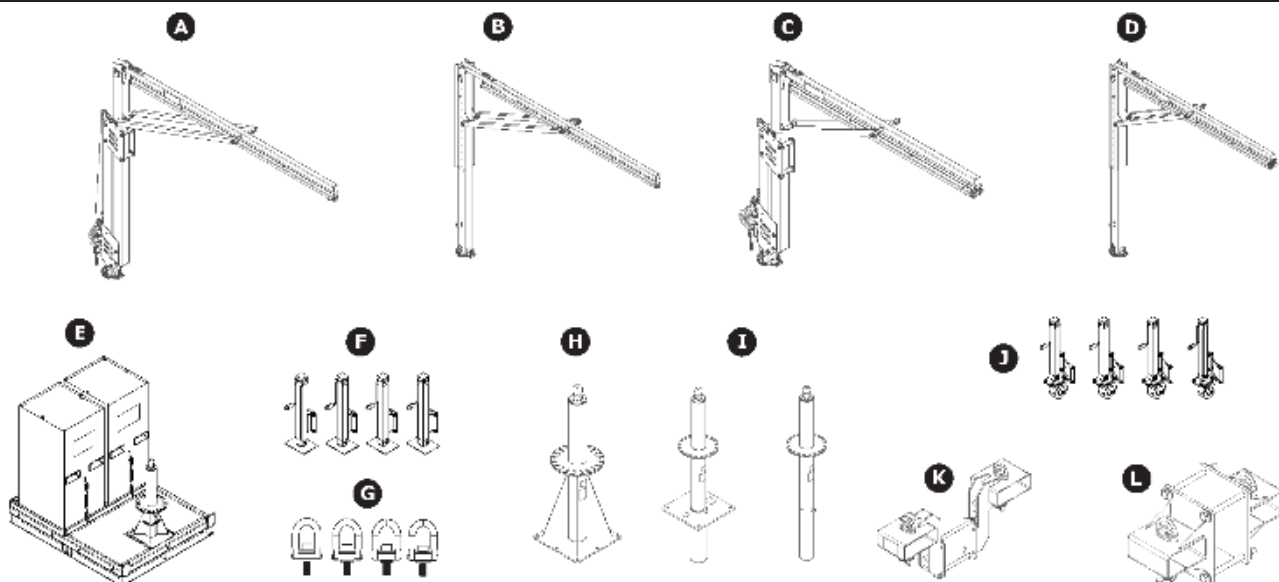


Fall Protection

3M™ DBI-SALA® M200 Davit Systems

Tehniliste andmete lehe pakett 5908526 Rev. D

Väljakutse	Tehniliste andmete leht	Kirjeldus	Lehekülg
A	8530891	12,3 ft.–15 ft. (3,8 m–4,6 m) Reguleeritav Davit	128
	8530892	14,8 ft.–20 ft. (4,5 m–6,1 m) Reguleeritav Davit	128
	8530893	17,3 ft.–25 ft. (5,3 m–7,6 m) Reguleeritav Davit	128
	8530894	19,8 ft.–30 ft. (6,1 m–9,1 m) Reguleeritav Davit	128
B	8530899	15 ft.–20 ft. (4,6 m–6,1 m) Poolfikseeritud Davit	130
	8530900	20 ft.–25 ft. (6,1 m–7,6 m) Poolfikseeritud Davit	130
	8530901	25 ft.–30 ft. (7,6 m–9,1 m) Poolfikseeritud Davit	130
C	8530895	12,3 ft.–15 ft. (3,8 m–4,6 m) Reguleeritav Davit	132
	8530896	14,8 ft.–20 ft. (4,5 m–6,1 m) Reguleeritav Davit	132
	8530897	17,3 ft.–25 ft. (5,3 m–7,6 m) Reguleeritav Davit	132
	8530898	19,8 ft.–30 ft. (6,1 m–9,1 m) Reguleeritav Davit	132
D	8530902	15 ft.–20 ft. (4,6 m–6,1 m) Poolfikseeritud Davit	134
	8530903	20 ft.–25 ft. (6,1 m–7,6 m) Poolfikseeritud Davit	134
	8530904	25 ft.–30 ft. (7,6 m–9,1 m) Poolfikseeritud Davit	134
E	8530886	Täitmata vastukaalu alus	136
	8530887	Täidetud vastukaalu alus	136
F	8530907	Vastukaalu aluse tungrauad	138
G	8530777	Vastukaalu aluse tõsterõngad	138
H	8530888	Pörandakinnituse alus	140
I	8530889, 8530920, 8530921	Süvistatav alus	141
J	8530908	Vastukaalu aluse rattad	138
K	8530912	Kahvli tasku komplekt	143
L	8530925	Kahvli tasku komplekt	144



Reguleeritav Davit

TEHNILISTE ANDMETE LEHT: 8530891–8530894



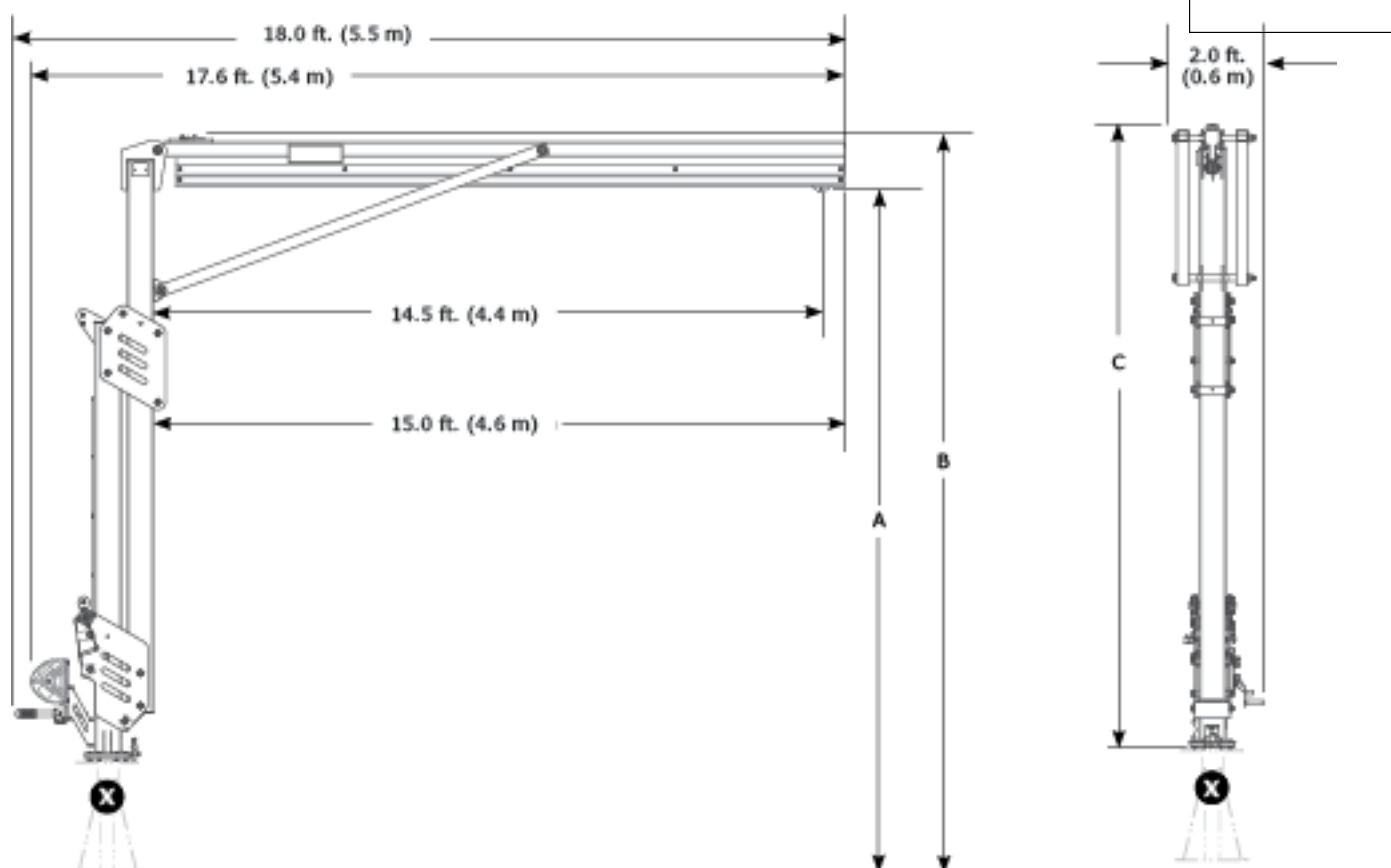
Fall Protection

RAKENDUS:

Davit on loodud pakkuma kinnituspunkte kukkumiskaitsesüsteemi jaoks.

Lisateabe saamiseks toote paigaldamise kohta vaadake kasutusjuhiseid.

Standardid: EN795:2012 Tüüp E, OSHA 1910.140, OSHA 1926.502



	A	B	C	lb. (kg)
8530891	12.3 ft. – 15.0 ft. (3.8 m – 4.6 m)	13.4 ft. – 16.1 ft. (4.1 m – 4.9 m)	9.8 ft. – 14.8 ft. (3.0 m – 4.5 ft.)	945 lb. (429 kg)
8530892	14.8 ft. – 20.0 ft. (4.5 m – 6.1 m)	15.9 ft. – 21.1 ft. (4.8 m – 6.4 m)	13.5 ft. – 18.7 ft. (4.1 m – 5.7 m)	1,057 lb. (479 kg)
8530893	17.3 ft. – 25.0 ft. (5.3 m – 7.6 m)	18.4 ft. – 26.1 ft. (5.6 m – 8.0 m)	16.0 – 23.7 ft. (4.9 m – 7.2 m)	1,169 lb. (530 kg)
8530894	19.8 ft. – 30.0 ft. (6.0 m – 9.1 m)	20.9 ft. – 31.1 ft. (6.4 m – 9.5 m)	18.5 ft. – 28.7 ft. (5.6 m – 8.7 m)	1,281 lb. (581 kg)

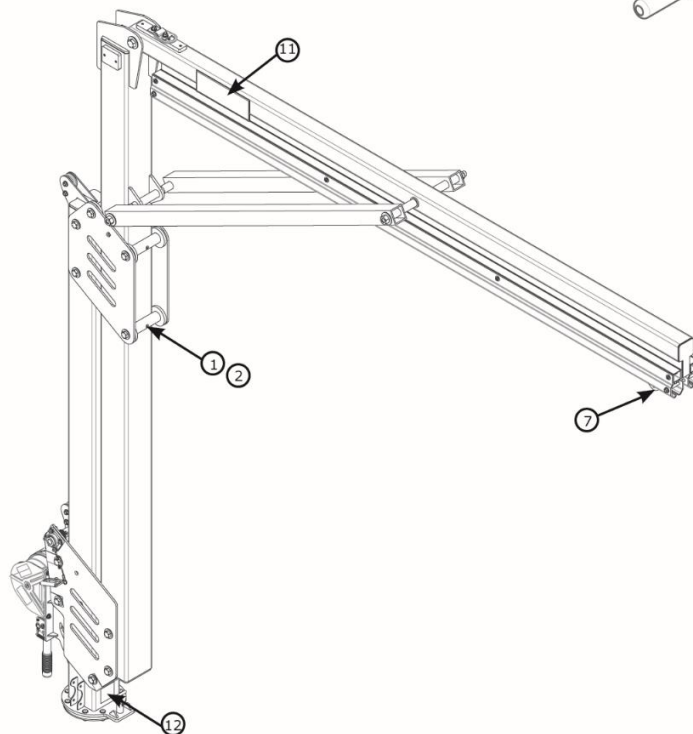
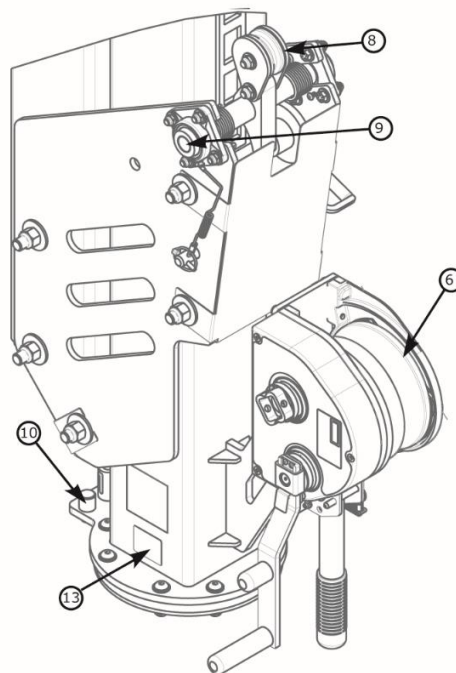
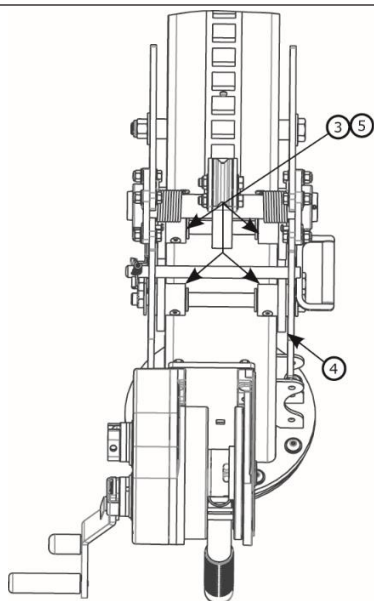
Reguleeritava Daviti Komponentid

TEHNILISTE ANDMETE LEHT: 8530891–8530894

3M

DBI SALA®

Fall Protection



Komponentide Nimekiri				
	Osa Number	Kirjeldus	Materjal	Kogus
1	8550046	Lai rullik	Nailon	3
2	8550047	Laia rulliku vahetükk	304 roostevaba teras	3
3	8550327	Kitsas rullik	Nailon	2
4	9514703	Külgrullik	Nailon	8
5	8550213	Kitsa rulliku vahetükk	304 roostevaba teras	2
6	8549930	Vints	Teras	1
7	8521711	Kärukas	Teras, Nailon	1

Komponentide Nimekiri				
	Osa Number	Kirjeldus	Materjal	Kogus
8	8550223	Lukustusmehhanism (ainult volitatud remont)	Teras, Nailon	1
9	9515138	Laagrid	Teras	2
10	8550398	Pöörlemispiiraja	Alumiinium	2
11	9515111	3M Silt	Polüester	2
12	9515101	Pöörlemissilt	Polüester	1
13	9514429	ID Silt	Polüester	1
14	9515112	Kasutaja Silt	Polüester	1

Poolfikseeritud Davit

TEHNILISTE ANDMETE LEHT: 8530899–8530901





RAKENDUS:

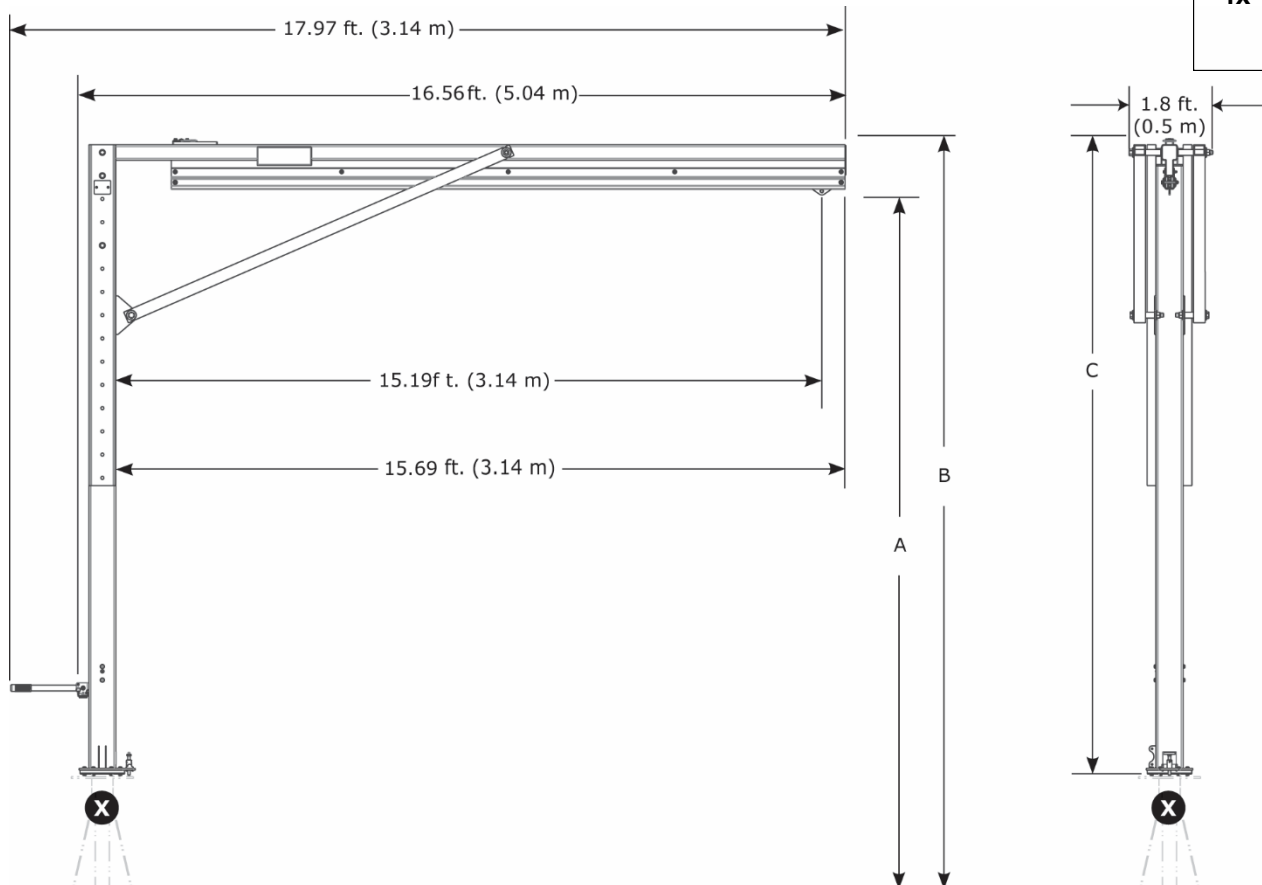
Davit on loodud pakkuma kinnituspunkte kukkumiskaitseüsteemi jaoks.

Lisateabe saamiseks toote paigaldamise kohta vaadake kasutusjuhiseid.

Standardid: EN795:2012 Tüüp E, OSHA 1910.140, OSHA 1926.502

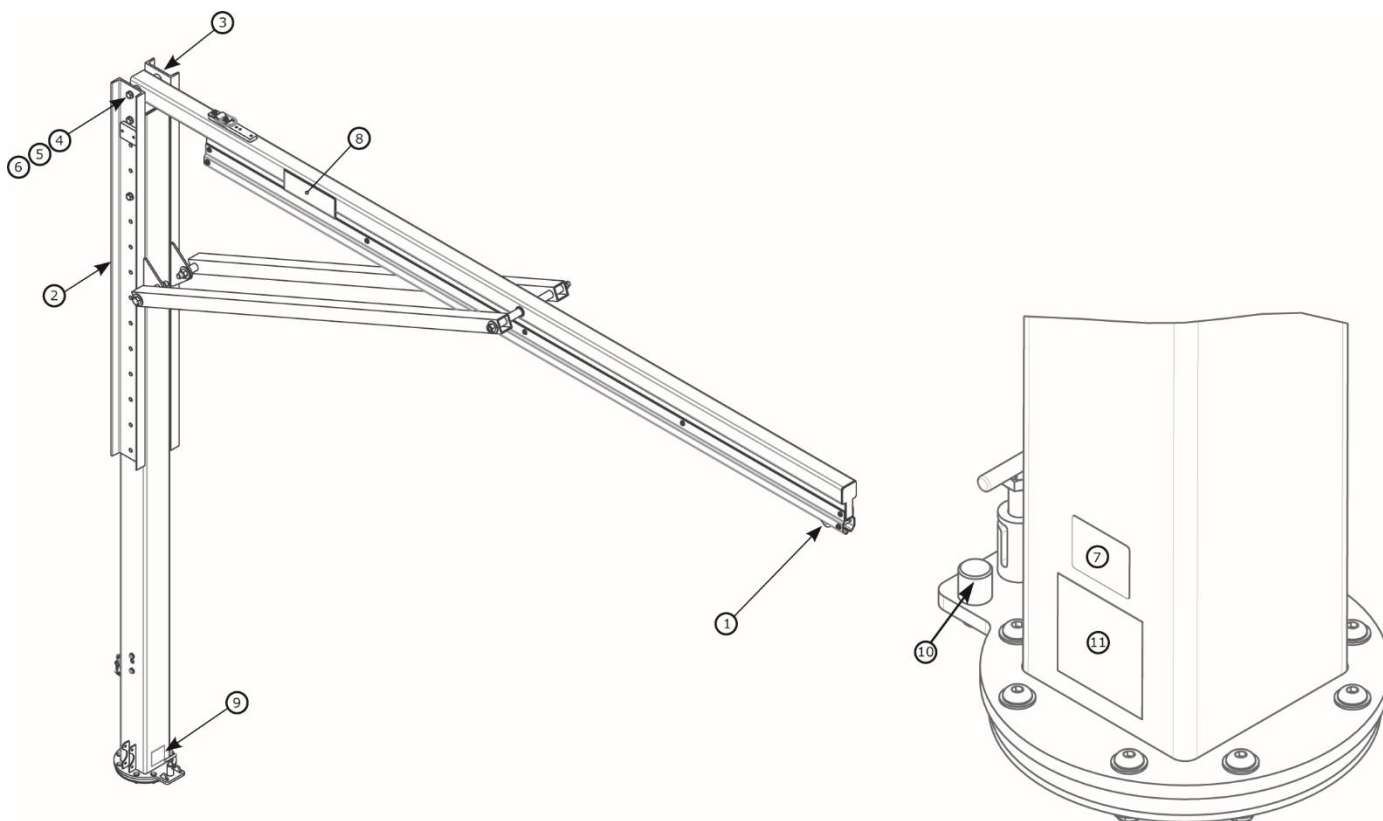
 ≤ 1350 lb.
(6 kN)

 1x ≤ 310 lb.
(140 kg)



	A	B	C	lb. (kg)
8530899	15.0 ft. – 20.0 ft. (4.6 m – 6.1 m)	16.1 ft. – 21.1 ft. (4.9 m – 6.4 m)	13.7 ft. – 18.7 ft. (4.2 m – 5.7 m)	818 lb. (371 kg)
8530900	20.0 ft. – 25.0 ft. (6.1 m – 7.6 m)	21.1 ft. – 26.1 ft. (6.4 m – 7.9 m)	18.7 ft. – 23.7 ft. (5.7 m – 7.2 m)	930 lb. (422 kg)
8530901	25.0 ft. – 30.0 ft. (7.6 m – 9.1 m)	26.1 ft. – 31.1 ft. (7.9 m – 9.6 m)	23.7 ft. – 28.7 ft. (7.2 m – 8.7 m)	1,041 lb. (472 kg)
+6" (152 mm) reguleerimise sammud				

Poolfikseeritud Daviti Komponentid
TEHNILISTE ANDMETE LEHT: 8530899-8530901



	Osa Number	Kirjeldus	Materjal	Kogus
1	8521711	Kärukas	Roostevaba teras, Teras, Nailon	1
2	8549933	Päästekinnituse kanal	Teras	1
3	8550248	Kanal	Teras	1
4	8526654	3/4" x 9" Polt	Teras	2
5	8522275	3/4" Seib	Teras	4
6	8518276	3/4" Mutriku	Teras	2
7	9514429	ID Silt	Polüester	1

	Osa Number	Kirjeldus	Materjal	Kogus
8	9515111	3M Silt	Polüester	2
9	9515101	Pöörlemissilt	Polüester	1
10	8550398	Pöörlemispiiraja	Alumiinium	2
11	9515112	Kasutaja Silt	Polüester	1

Reguleeritav Davit

TEHNILISTE ANDMETE LEHT: 8530895–8530898




Fall Protection


RAKENDUS:

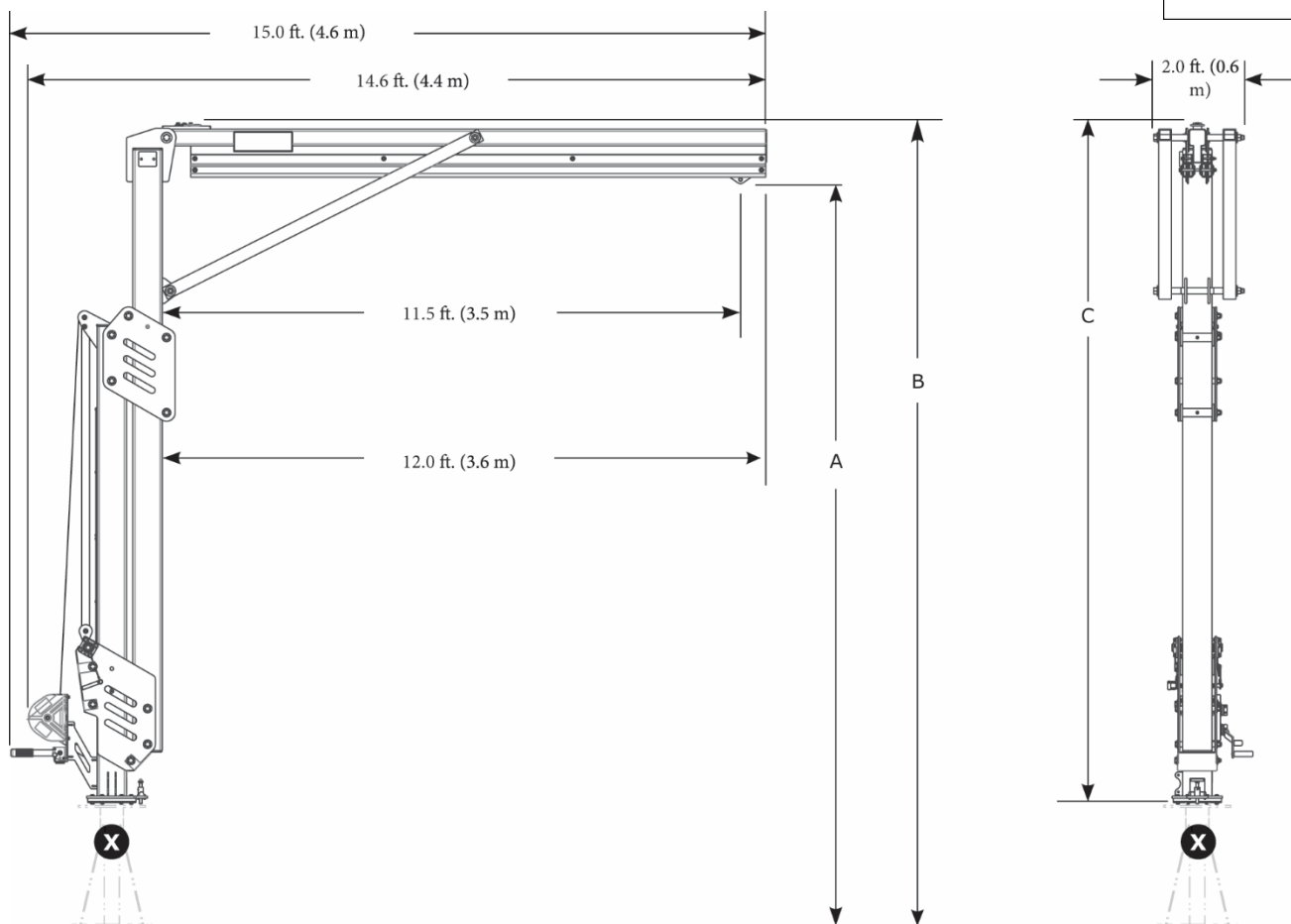
Davit on loodud pakkuma kinnituspunkte kukkumiskaitsesüsteemi jaoks.

Lisateabe saamiseks toote paigaldamise kohta vaadake kasutusjuhiseid.

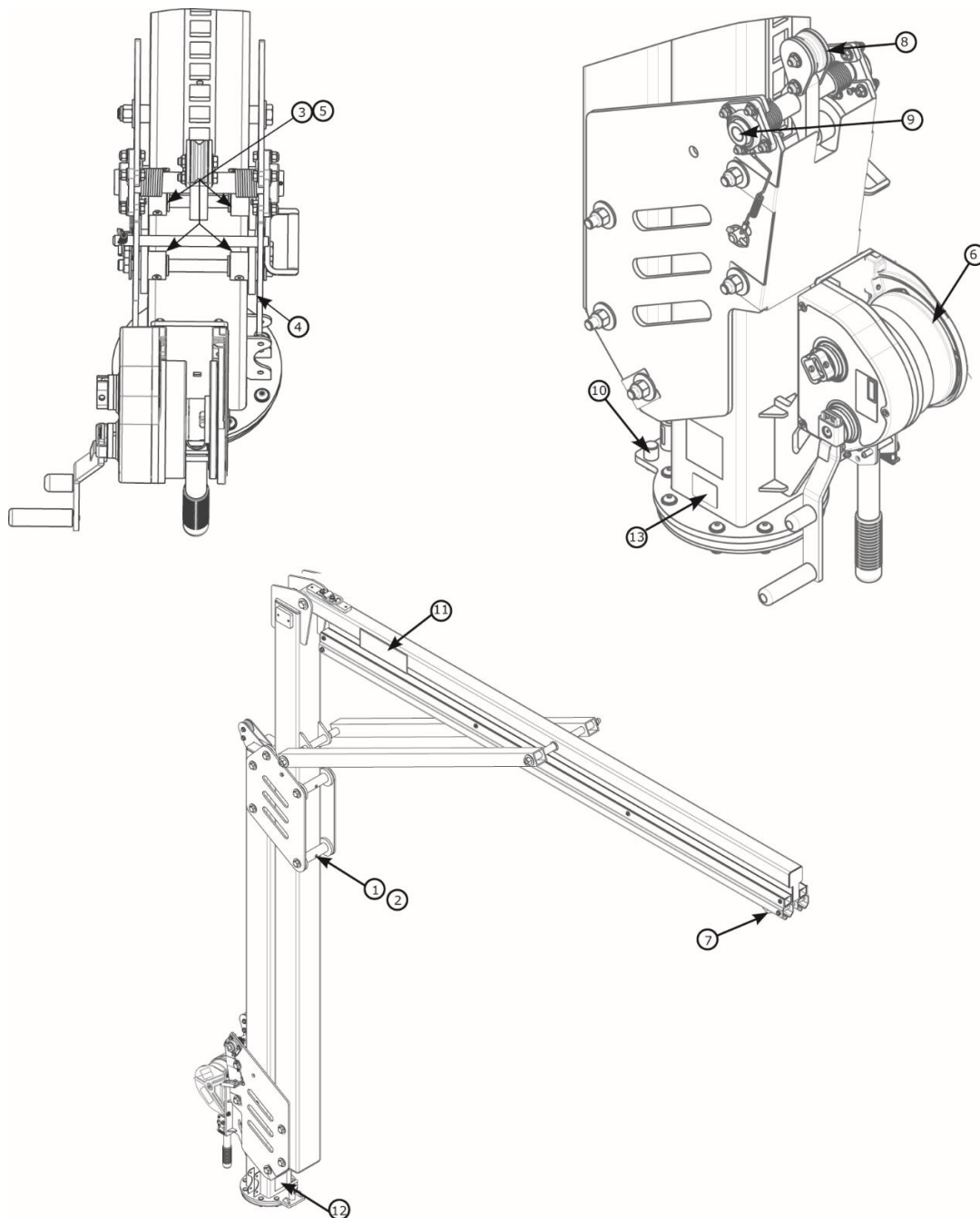
Standardid: CEN/TS 16415:2013 Tüüp E, EN795:2012 Tüüp E, OSHA 1910.140, OSHA 1926.502


 ≤ 1350 lb.
(6 kN)

2x 
 ≤ 310 lb.
(140 kg)



	A	B	C	lb. (kg)
8530895	12.3 ft. – 15.0 ft. (3.8 m – 4.6 m)	13.4 ft. – 16.1 ft. (4.1 m – 4.9 m)	11.0 ft. – 13.7 ft. (3.4 m – 4.2 ft.)	1,011 lb. (459 kg)
8530896	14.8 ft. – 20.0 ft. (4.5 m – 6.1 m)	15.9 ft. – 21.1 ft. (4.8 m – 6.4 m)	13.5 ft. – 18.7 ft. (4.1 m – 5.7 m)	1,123 lb. (509 kg)
8530897	17.3 ft. – 25.0 ft. (5.3 m – 7.6 m)	18.4 ft. – 26.1 ft. (5.6 m – 8.0 m)	16.0 – 23.7 ft. (4.9 m – 7.2 m)	1,235 lb. (560 kg)
8530898	19.8 ft. – 30.0 ft. (6.0 m – 9.1 m)	20.9 ft. – 31.1 ft. (6.4 m – 9.5 m)	18.5 ft. – 28.7 ft. (5.6 m – 8.7 m)	1,343 lb. (609 kg)



Komponentide Nimekiri				
	Osa Number	Kirjeldus	Materjal	Kogus
1	8550046	Lai rullik	Nailon	3
2	8550047	Laia rulliku vahetükk	304 roosteva ba teras	3
3	8550327	Kitsas rullik	Nailon	2
4	9514703	Külgrullik	Nailon	8
5	8550213	Kitsa rulliku vahetükk	304 roosteva ba teras	2
6	8549930	Vints	Teras	1
7	8521711	Kärukas	Teras, Nailon	1

Komponentide Nimekiri				
	Osa Number	Kirjeldus	Materjal	Kogus
8	8550223	Lukustusmehhani sm (ainult volitatud remont)	Teras, Nailon	1
9	9515138	Laagrid	Teras	2
10	8550398	Pöörlemispiiraja	Alumiinium	2
11	9515111	3M Silt	Polüester	2
12	9515101	Pöörlemissilt	Polüester	1
13	9514429	ID Silt	Polüester	1
14	9515112	Kasutaja Silt	Polüester	1

Poolfikseeritud Davit

TEHNILISTE ANDMETE LEHT: 8530902-8530904




Fall Protection

RAKENDUS:


Davit on loodud pakkuma kinnituspunkte kukkumiskaitstesüsteemi jaoks.

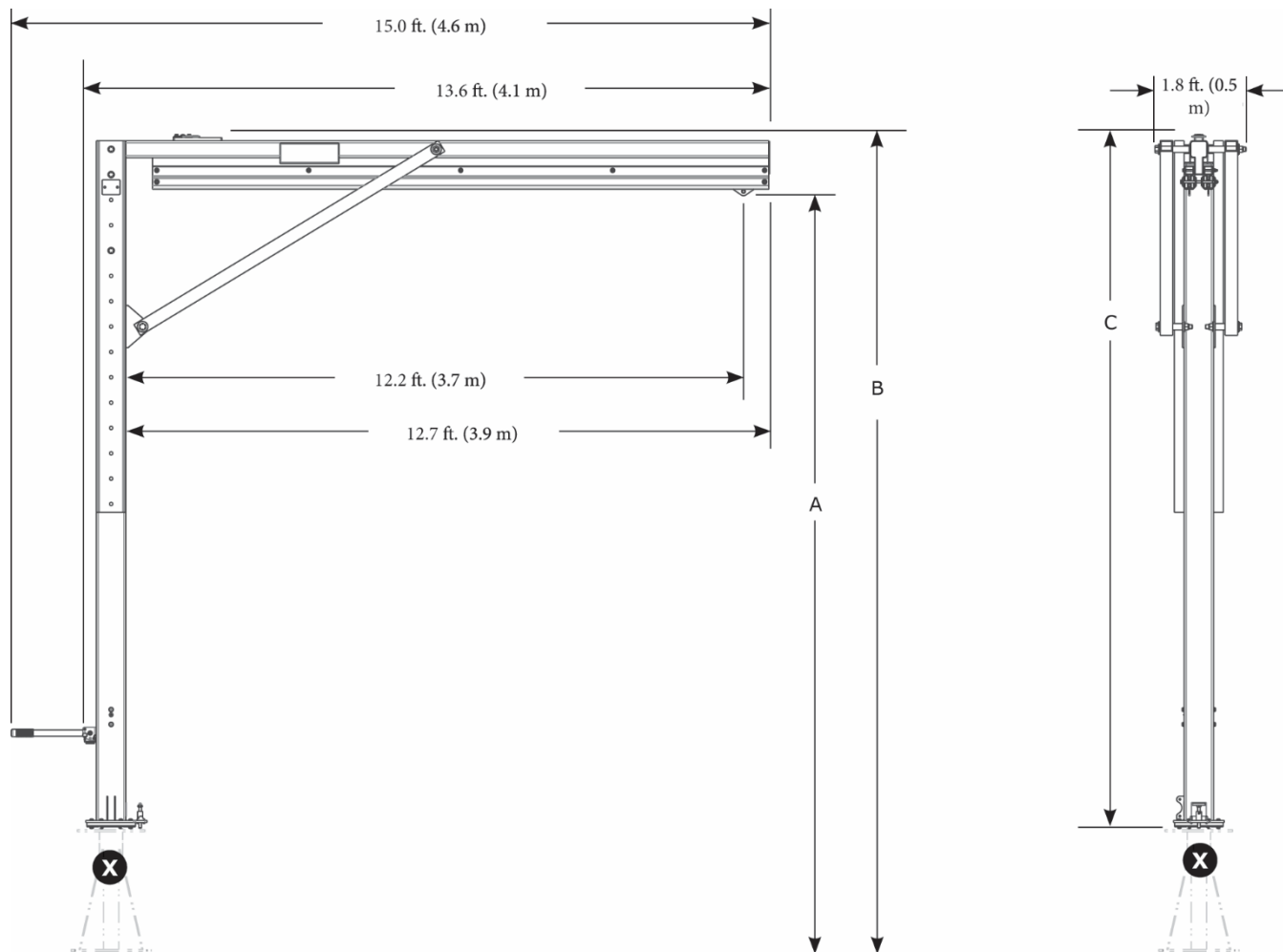
Lisateabe saamiseks toote paigaldamise kohta vaadake kasutusjuhiseid.

Standardid: CEN/TS 16415:2013 Tüüp E, EN795:2012 Tüüp E, OSHA 1910.140, OSHA 1926.502



≤ 1350 lb.
(6 kN)

2x  ≤ 310 lb.
(140 kg)

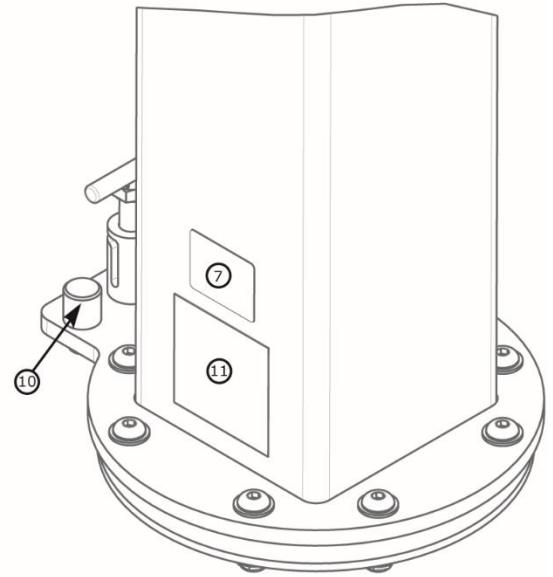
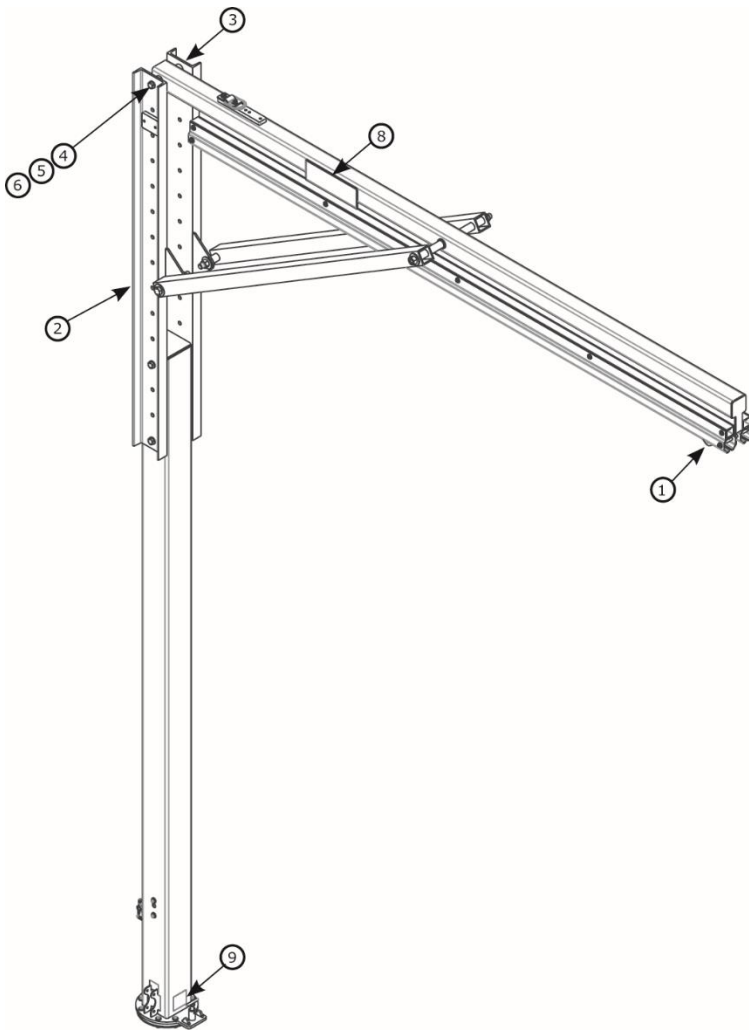


	A	B	C	lb. (kg)
8530902	15.0 ft. – 20.0 ft. (4.6 m – 6.1 m)	16.1 ft. – 21.1 ft. (4.9 m – 6.4 m)	13.7 ft. – 18.7 ft. (4.2 m – 5.7 m)	850 lb. (386 kg)
8530903	20.0 ft. – 25.0 ft. (6.1 m – 7.6 m)	21.1 ft. – 26.1 ft. (6.4 m – 7.9 m)	18.7 ft. – 23.7 ft. (5.7 m – 7.2 m)	961 lb. (436 kg)
8530904	25.0 ft. – 30.0 ft. (7.6 m – 9.1 m)	26.1 ft. – 31.1 ft. (7.9 m – 9.6 m)	23.7 ft. – 28.7 ft. (7.2 m – 8.7 m)	1,073 lb. (487 kg)

Poolfikseeritud Daviti Komponentid
TEHNILISTE ANDMETE LEHT: 8530902-8530904

3M

DBI
SALA
 Fall Protection



	Osa Number	Kirjeldus	Materjal	Kogus
1	8521711	Kärukas	Roostevabateras, Teras, Nailon	1
2	8549933	Päästekinnituse kanal	Teras	1
3	8550248	Kanal	Teras	1
4	8526654	3/4" x 9" Polt	Teras	2
5	8522275	3/4" Seib	Teras	4
6	8518276	3/4" Mutrike	Teras	2
7	9514429	ID Silt	Polüester	1

	Osa Number	Kirjeldus	Materjal	Kogus
8	9515111	3M Silt	Polüester	2
9	9515101	Pöörlemissilt	Polüester	1
10	8550398	Pöörlemispiiraja	Alumiinium	2
11	9515112	Kasutaja Silt	Polüester	1

M200 Vastukaalu Alus

TEHNILISTE ANDMETE LEHT: 8530886, 8530887



RAKENDUS:

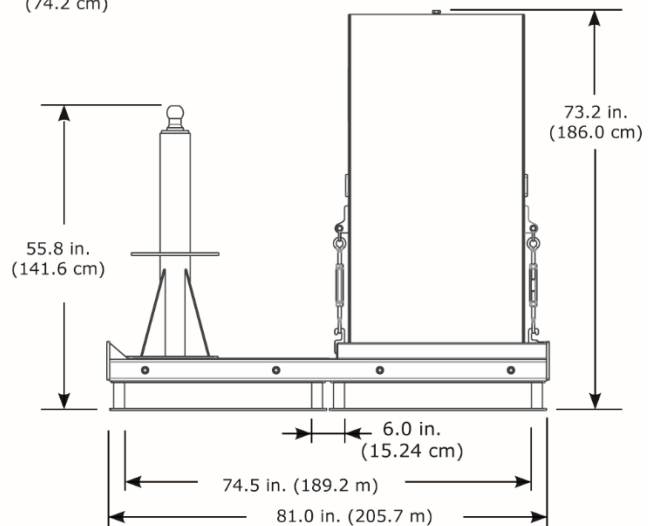
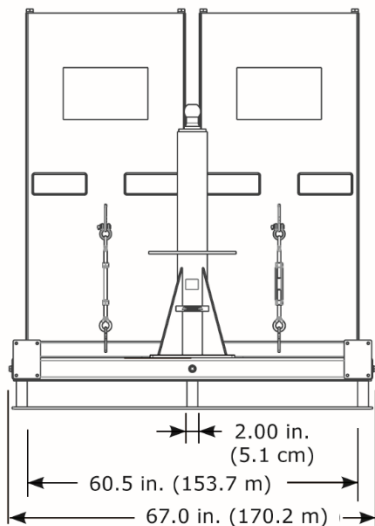
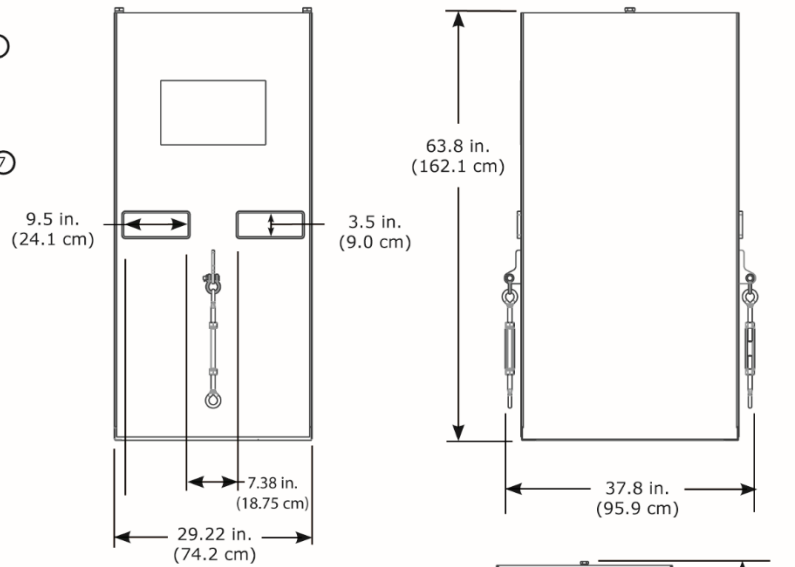
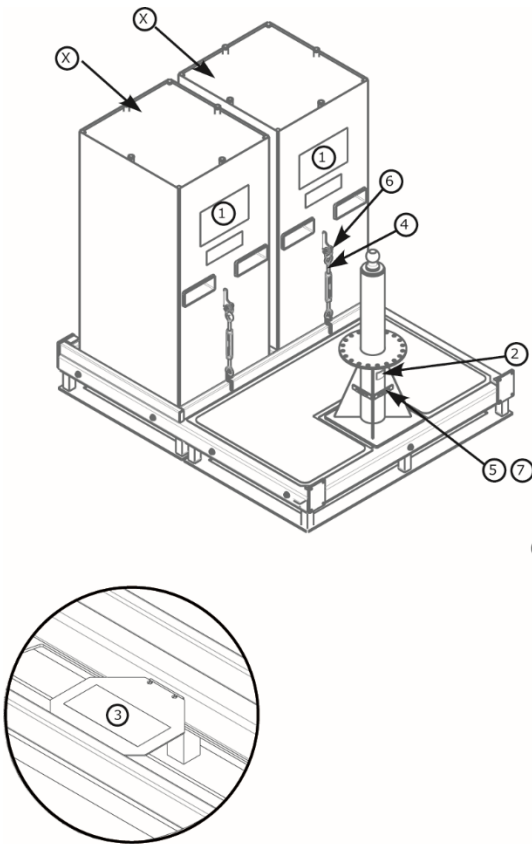
Daviti alus on loodud kasutamiseks davitisüsteemi kinnituskohana.

Lisateabe saamiseks toote paigaldamise kohta vaadake kasutusjuhiseid.

Standardid: CEN/TS 16415:2013 Tüüp E, EN795:2012 Tüüp E, OSHA 1910.140, OSHA 1926.502

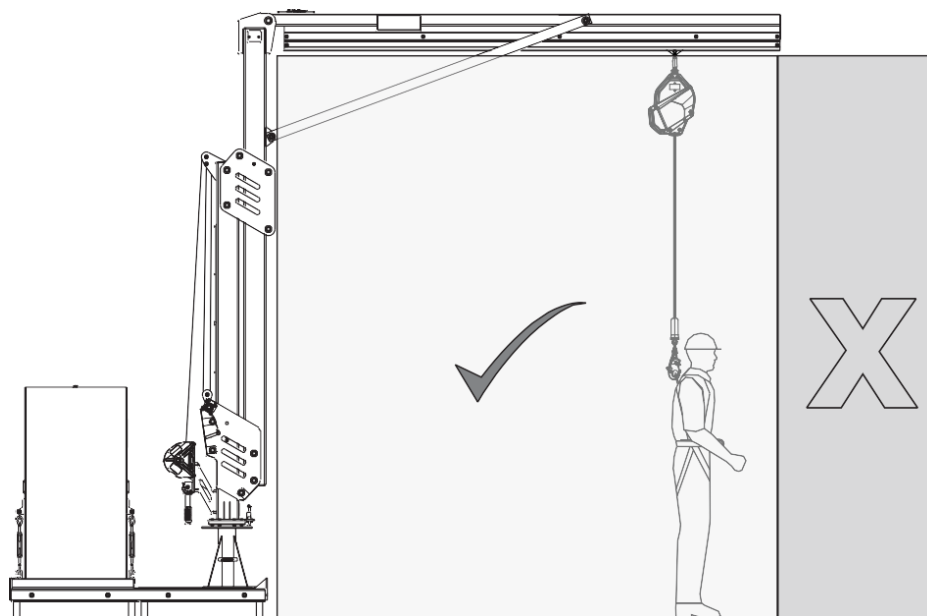
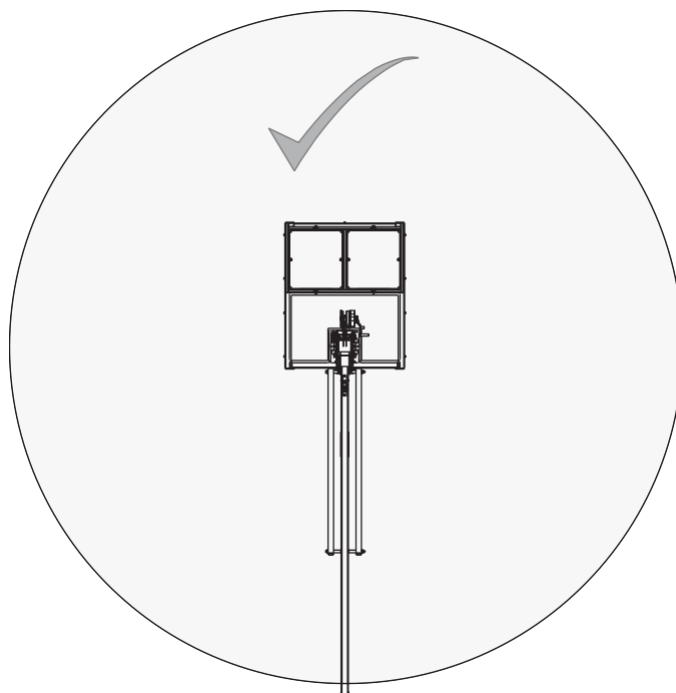
	X 4,000 psi (30 MPa)	Puhkestruktuuri Nõuded	Kaal
8530886		14,645 lb. (6,643 kg)	2,407 lb. (1,092 kg)
8530887	✓	+ M200 Jibi poomi kaal	11,325 lb. (5,137 kg)

Komponentide Nimekiri				
	Osa Number	Kirjeldus	Materjal	Kogus
1	9515107	Kasutaja Silt	Polüester	1
2	9514429	ID Silt	Polüester	1
3	9515106	Hoiatussilt	Polüester	1
4	8520575	Pinguti	Teras	2
5	9513627	#4 Kruvi	Teras	4
6	9501794	Šaakel	Teras	2
7	9515058	Loodimull	Plastik	2
8	9515566	Hoiatussilt	Polüester	4



RAKENDUS:

Vaadake allolevat diagrammi toote tööpiirkonna kohta.



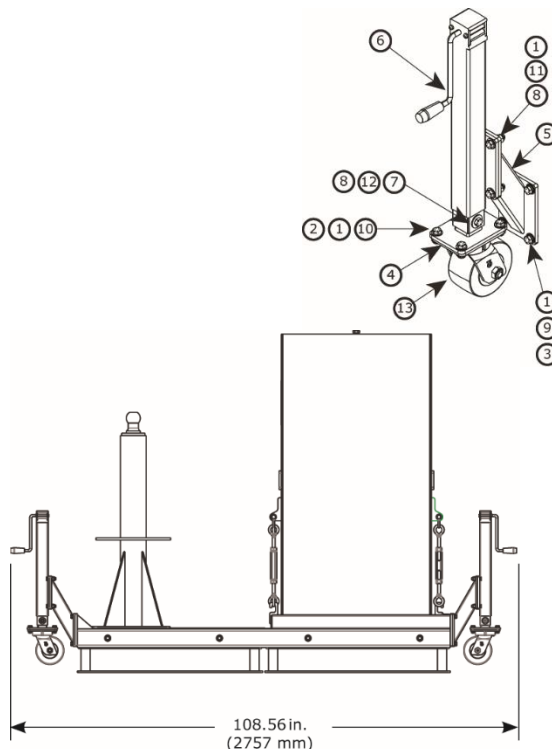
M200 Vastukaalu Aluse Tarvikud

TEHNILISTE ANDMETE LEHT: 8530907, 8530908, 8530777

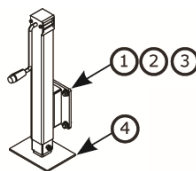


Fall Protection

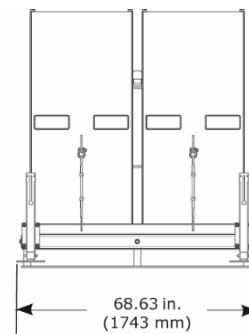
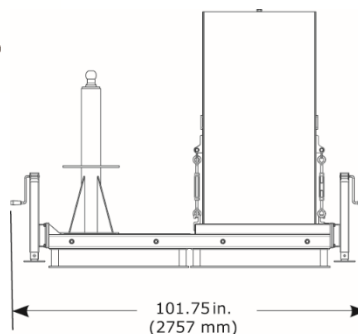
Komponentide Nimekiri				
	Osa Number	Kirjeldus	Materjal	Kogus
1	8510037	1/2" Seib	Teras	80
2	8512460	1/2" x 1 1/4" Polt	Teras	16
3	8518432	1/2" x 1" Polt	Teras	16
4	8550153	Ratta keevitis	Teras	4
5	8550155	Nurga keevitis	Teras	4
6	8550156	Paigaldatud keevitis	Teras	4
7	9501243	1/2" Seib	Teras	8
8	9501831	1/2" Kuuskantmutter	Teras	20
9	9504221	1/2" Seib	Teras	16
10	9504813	1/2" Kuuskantmutter	Teras	16
11	9509276	1/2" x 1 3/4" Polt	Teras	16
12	9510153	1/2" x 3 1/4" Polt	Teras	4
13	9515081	Rattakandur	Teras, Uretaan	4



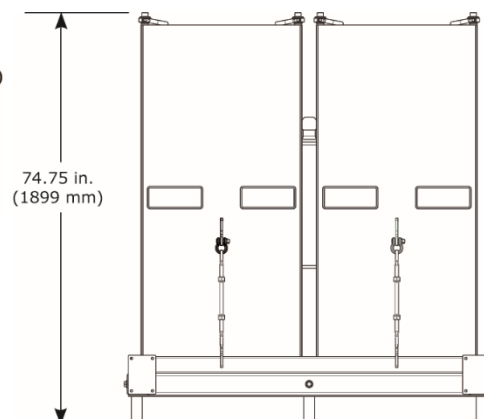
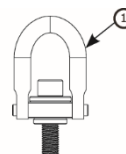
	8530907	8530908	8530777
Kaal	108 lb. (49 kg)	152 lb. (69 kg)	12 lb. (5.4 kg)



	Osa Number	Kirjeldus	Materjal	Kogus
1	9504221	1/2" Lukustusseib	Teras	16
2	8510037	1/2" Seib	Teras	16
3	8518432	1/2" x 1" Polt	Teras	16
4	8550177	Ratta keevitis	Teras	4





Komponentide Nimekiri				
	Osa Number	Kirjeldus	Materjal	Kogus
1	9512574	Tõsterõngas	Teras	4

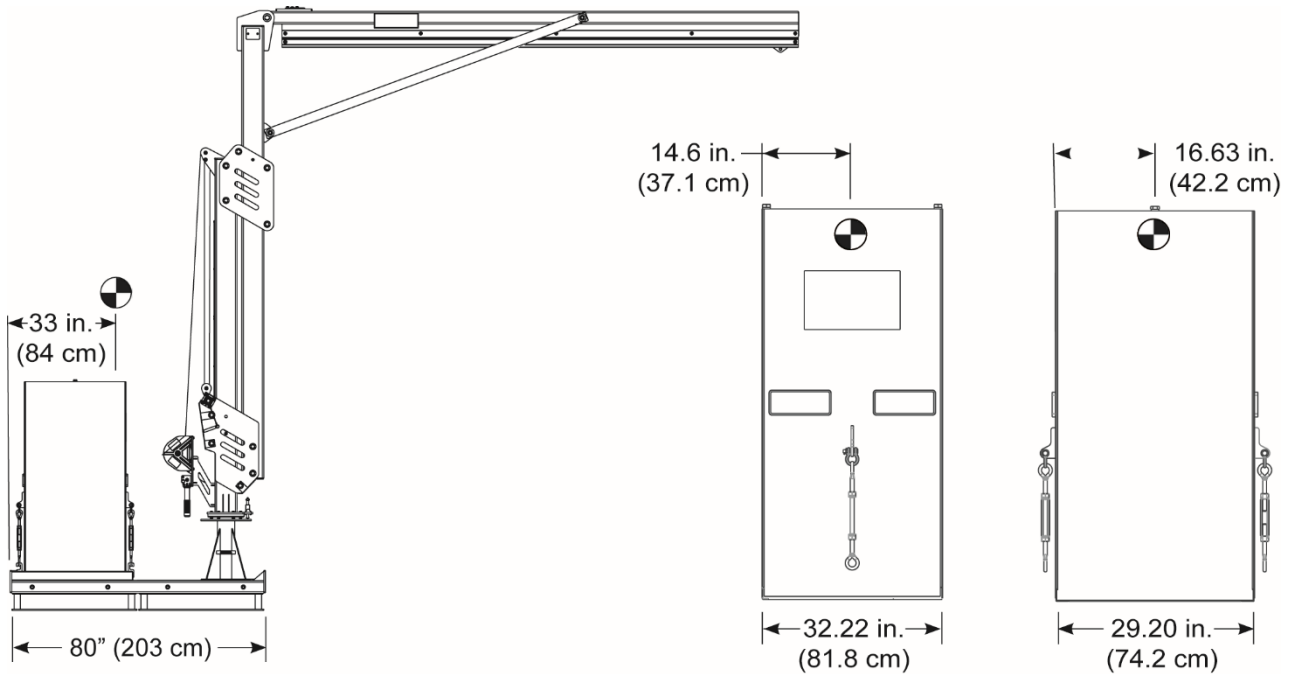



M200 Vastukaalu Aluse Raskusese
TEHNILISTE ANDMETE LEHT: 8530886, 8530887




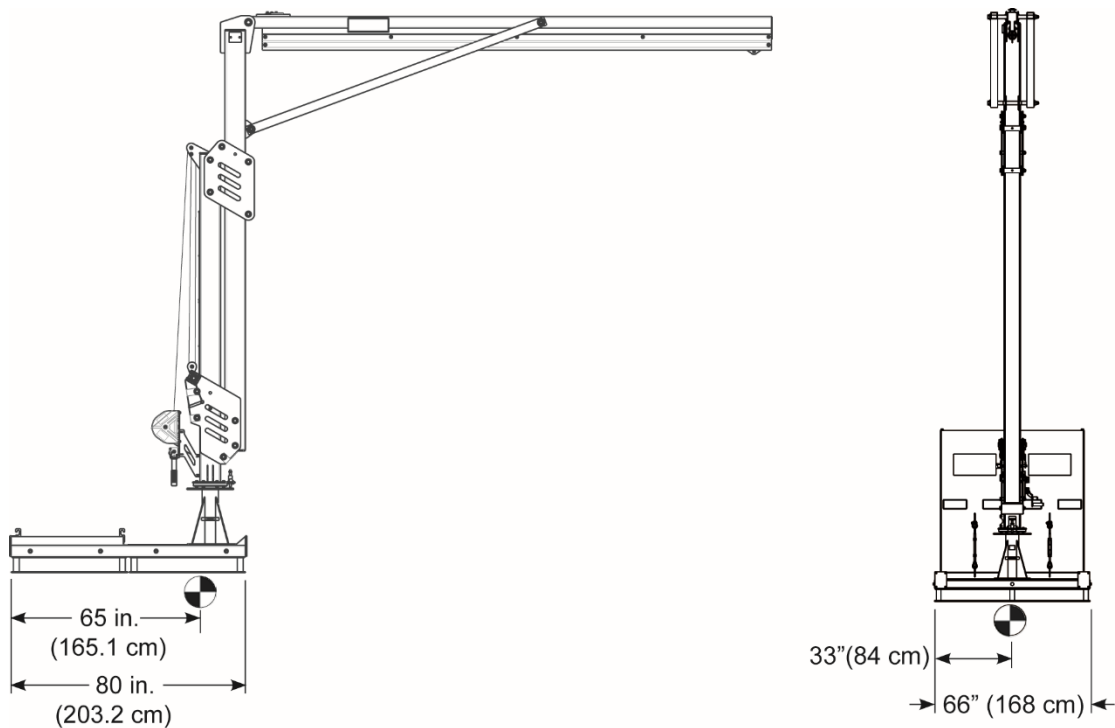
8530887	8530898
 .lb (kg)	12,668 lbs. (5,746 kg)

 .lb (kg)	5,000 lbs. (2,268 kg)
--	--------------------------



8530887	8530898
 .lb (kg)	2,668 lbs. (1,210 kg)

8530887	8530898
 .lb (kg)	12,668 lbs. (5,746 kg)



M200 Põrandakinnitususe Alus

TEHNILISTE ANDMETE LEHT: 8530888



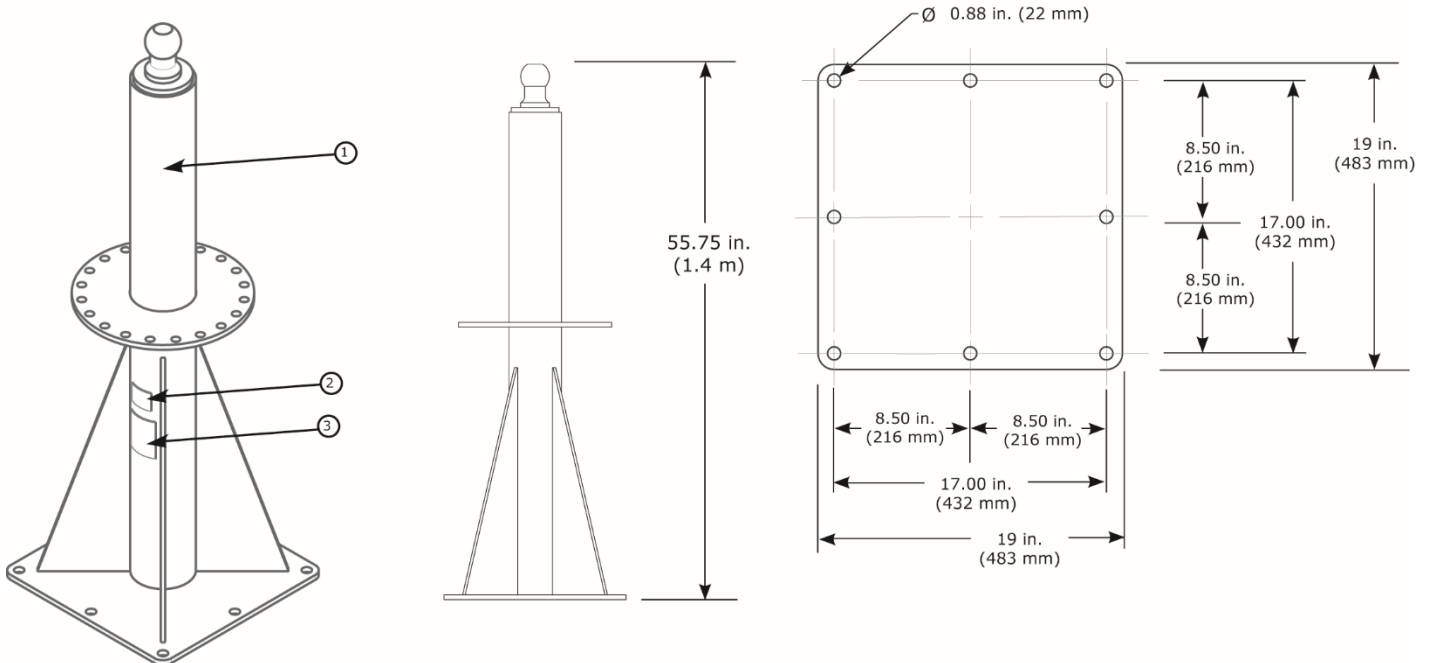
RAKENDUS:

Daviti alus on loodud kasutamiseks davitisüsteemi kinnituskohana.

Lisateabe saamiseks toote paigaldamise kohta vaadake kasutusjuhiseid.

Standardid: CEN/TS 16415:2013 Tüüp A, EN795:2012 Tüüp A, OSHA 1910.140, OSHA 1926.502

	Kaal
8530888	265 lb. (120 kg)



Komponentide Nimekiri				
	Osa Number	Kirjeldus	Materjal	Kogus
1	8549921	Aluse keevitis	Teras	1
2	9514429	ID Silt	Polüester	1
3	9515114	Kasutaja Silt	Polüester	1

Paigaldusnõuded		
Minimaalne Kinnitusvahendi Väljatõmbejõud	Paigaldusstruktuuri Minimaalne Momendikoormus	Paigaldusstruktuuri Minimaalne Vertikaalkoormus
9,386 lb. (4,257 kg)	501,633 in-lb. (56,677 N-m)	3,320 lb. (1,506 kg) + Aluse Kaal + M200 Jibi poomi kaal

M200 Suvistatav Alus

TEHNILISTE ANDMETE LEHT: 8530889, 8530920, 8530921



Fall Protection

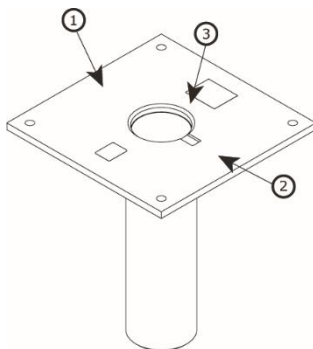
RAKENDUS:

Daviti alus on loodud kasutamiseks davitisüsteemi kinnituskohana.

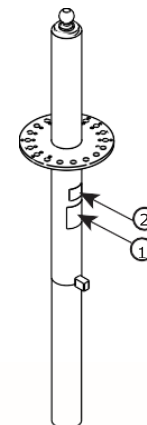
Lisateabe saamiseks toote paigaldamise kohta vaadake kasutusjuhiseid.

Standardid: CEN/TS 16415:2013, EN795:2012 Tüüp A, OSHA 1910.140, OSHA 1926.502

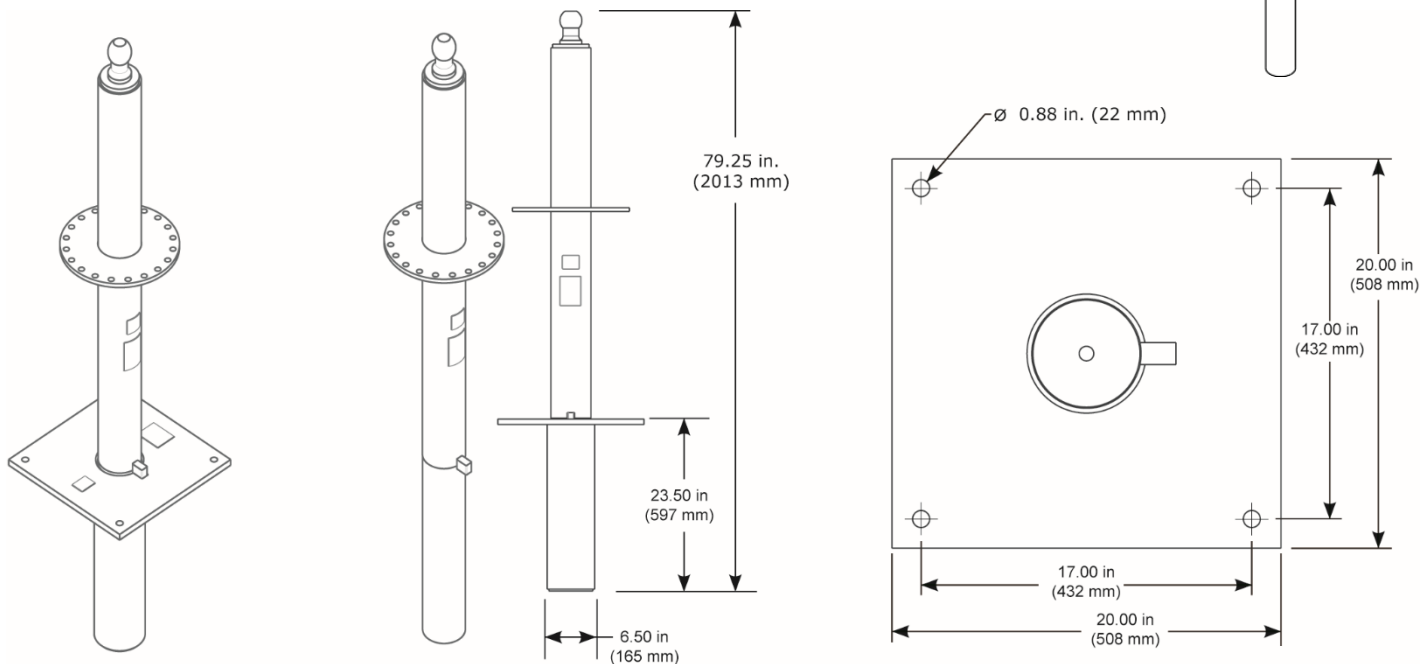
	Kaal
8530920	140 lb. (64 kg)



	Kaal
8530921	237 lb. (107 kg)



	Kaal
8530889	377 lb. (171 kg)

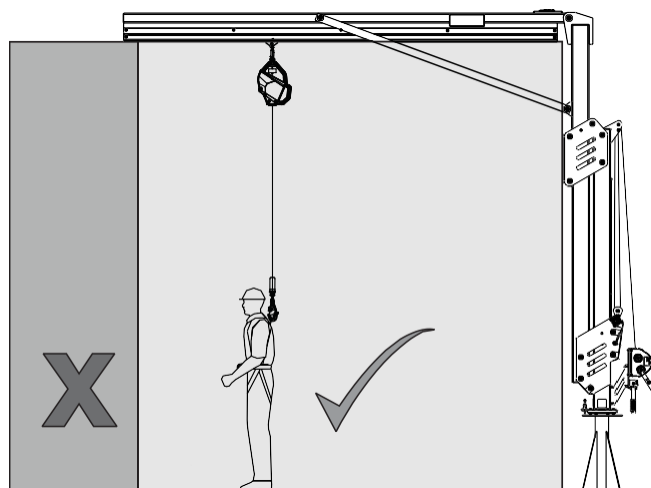
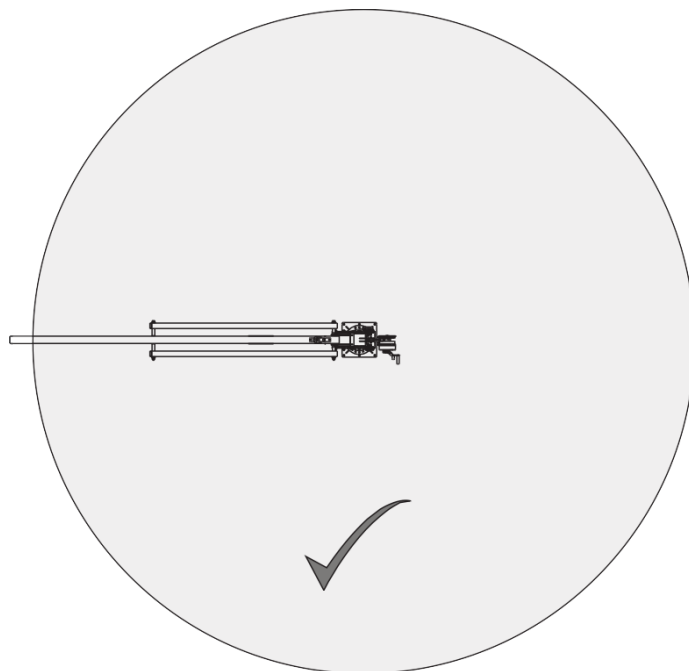


Komponentide Nimekiri				
	Osa Number	Kirjeldus	Materjal	Kogus
1	9515114	Kasutaja Silt	Polüester	1
2	9514429	ID Silt	Polüester	1
3	8550165	Aluse Kork	Alumiinium, Kumm	1

Paigaldusnõuded	
Paigaldusstruktuuri Minimaalne Momendikoormus	Paigaldusstruktuuri Minimaalne Vertikaalkoormus
501,633 in-lb. (56,677 N-m)	3,320 lb. (1,506 kg) + Aluse Kaal + M200 Jibi poomi kaal

RAKENDUS:

Vaadake allolevat diagrammi toote tööpiirkonna kohta.



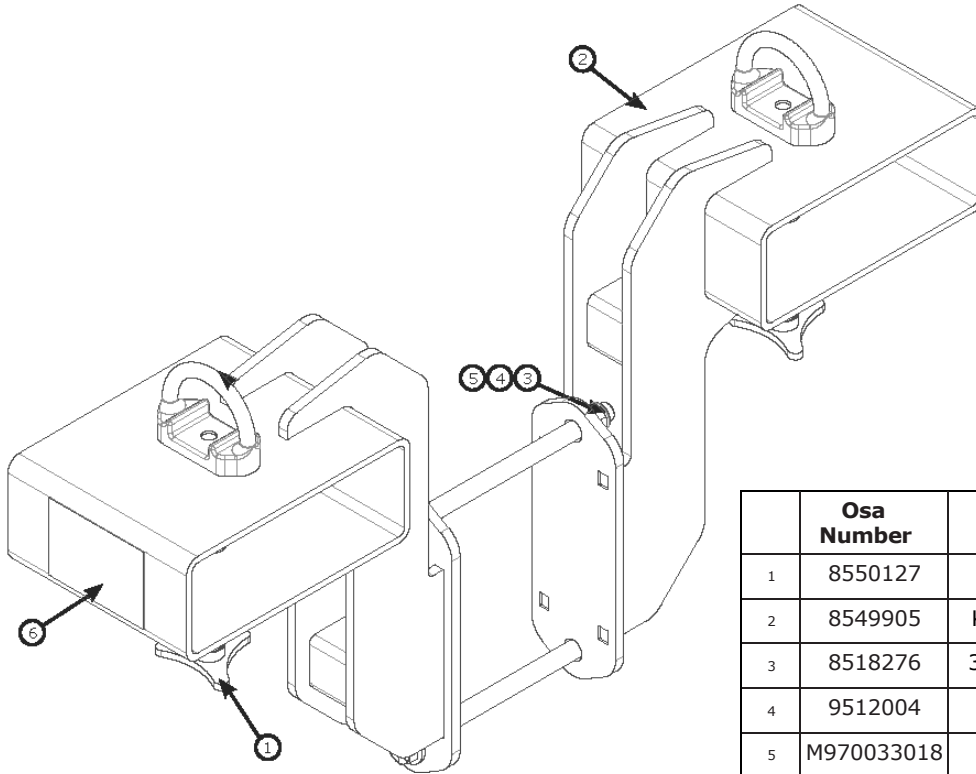
Kahvli Tasku Komplekt

TEHNILISTE ANDMETE LEHT: 8530912

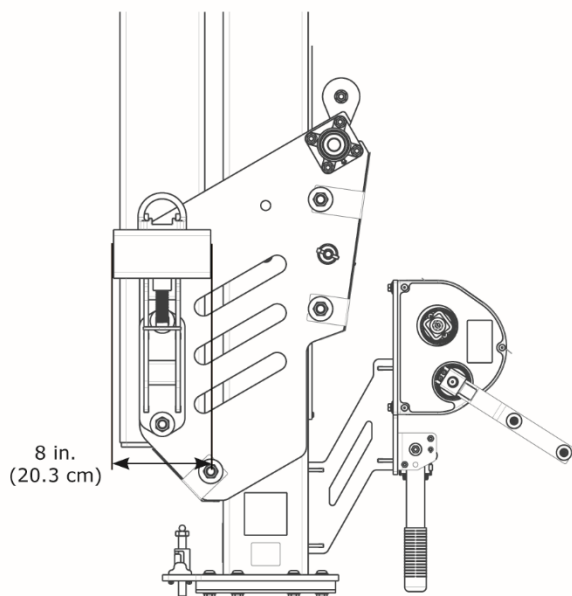
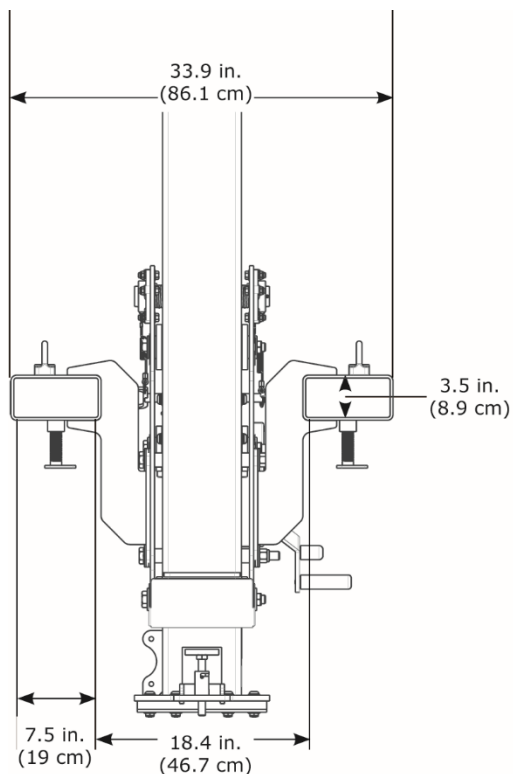


RAKENDUS:

See kahvli tasku komplekti mudel on loodud vintsi abil töötavate davitimudelite **8530891–8530898** transportimiseks. Lisateabe saamiseks komponentide paigaldamise kohta vaadake kasutusjuhiseid.



	Osa Number	Komponent	Kogus
1	8550127	Kolmekordne kruvi	2
2	8549905	Kahvli tasku keevitis	2
3	8518276	3/4" Kuuskantmutter	2
4	9512004	3/4" x 12" Polt	2
5	M970033018	3/4" Seib	4
6	9515122	Kasutaja Silt	1
	9500146	Ahela lüli	2
	8517096	Ahel	10 ft.



Kahvli Tasku Komplekt

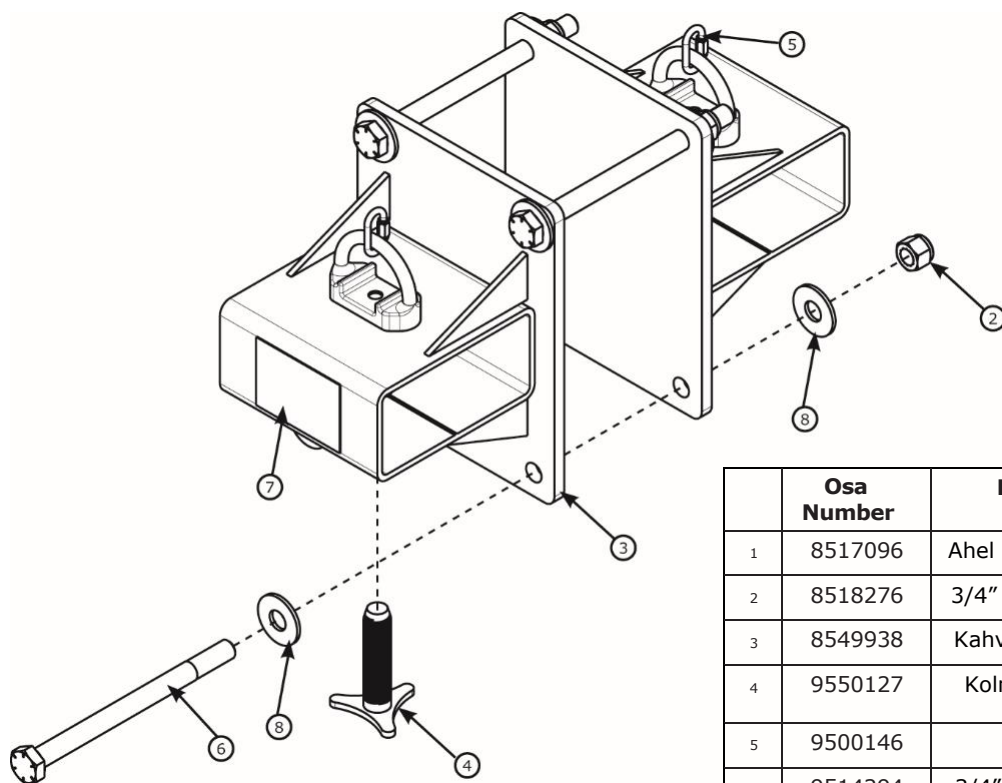
TEHNILISTE ANDMETE LEHT: 8530925

3M

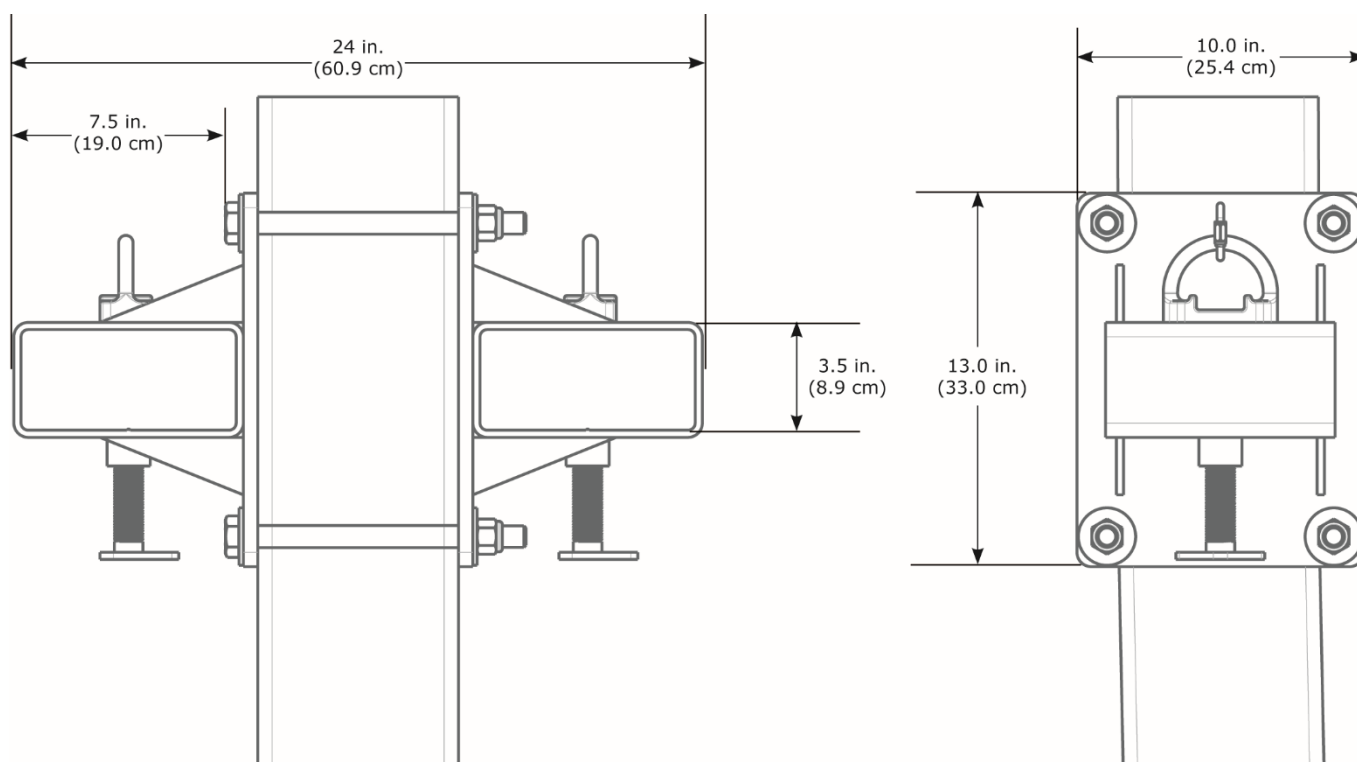
DBI
SALA[®]
Fall Protection

RAKENDUS:

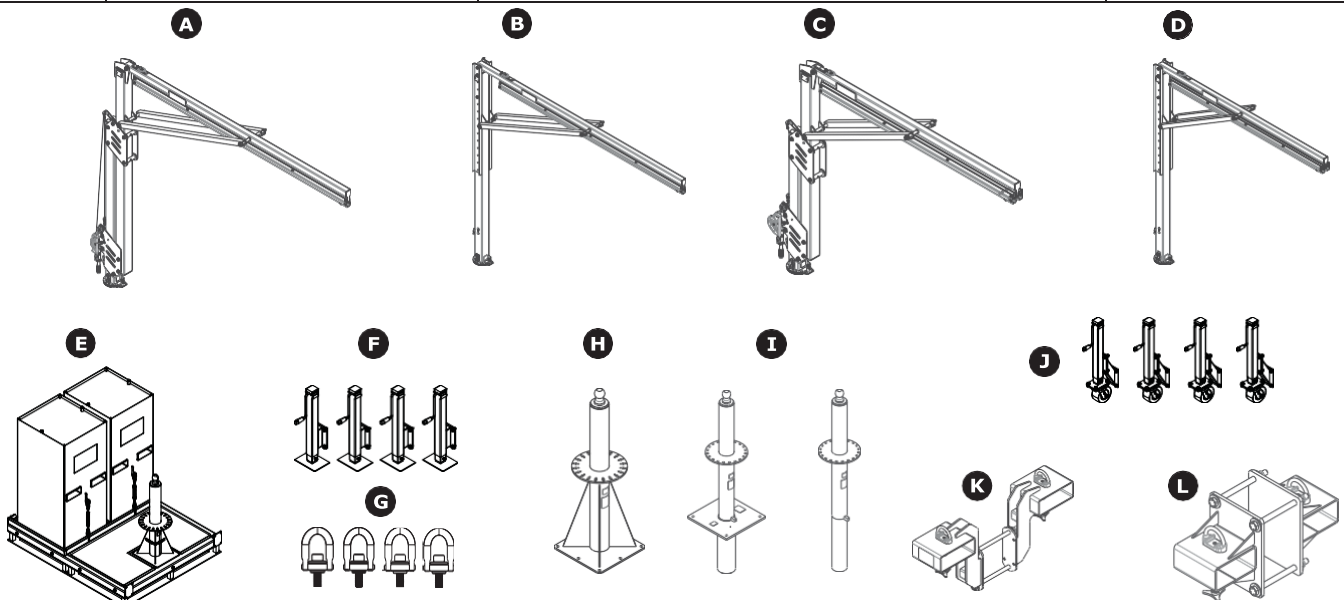
See kahvli tasku komplekti mudel on loodud daviti transportimiseks reguleerimiskanalite mudelitega **8530899–8530904**. Lisateabe saamiseks komponentide paigaldamise kohta vaadake kasutusjuhiseid.



	Osa Number	Komponent	Kogus
1	8517096	Ahel (ei ole näidatud)	10 ft.
2	8518276	3/4" Kuuskantmutter	4
3	8549938	Kahvli tasku keevitis	2
4	9550127	Kolmekordse kruvi keevitis	2
5	9500146	Kiirlüli	2
6	9514294	3/4" Kuuskantpeaga polt	4
7	9515573	Hoiatussilt	1
8	M970033018	3/4" Seib	8



Huomautus	Tekninen tietolehti	Kuvaus	Sivu
A	8530891	12,3 ft.–15 ft. (3,8 m–4,6 m) Säädettävä Puomin Varsi	146
	8530892	14,8 ft.–20 ft. (4,5 m–6,1 m) Säädettävä Puomin Varsi	146
	8530893	17,3 ft.–25 ft. (5,3 m–7,6 m) Säädettävä Puomin Varsi	146
	8530894	19,8 ft.–30 ft. (6,1 m–9,1 m) Säädettävä Puomin Varsi	146
B	8530899	15 ft.–20 ft. (4,6 m–6,1 m) Puomin Varsi Puolikiinteä	148
	8530900	20 ft.–25 ft. (6,1 m–7,6 m) Puomin Varsi Puolikiinteä	148
	8530901	25 ft.–30 ft. (7,6 m–9,1 m) Puomin Varsi Puolikiinteä	148
C	8530895	12,3 ft.–15 ft. (3,8 m–4,6 m) Säädettävä Puomin Varsi	150
	8530896	14,8 ft.–20 ft. (4,5 m–6,1 m) Säädettävä Puomin Varsi	150
	8530897	17,3 ft.–25 ft. (5,3 m–7,6 m) Säädettävä Puomin Varsi	150
	8530898	19,8 ft.–30 ft. (6,1 m–9,1 m) Säädettävä Puomin Varsi	150
D	8530902	15 ft.–20 ft. (4,6 m–6,1 m) Puomin Varsi Puolikiinteä	152
	8530903	20 ft.–25 ft. (6,1 m–7,6 m) Puomin Varsi Puolikiinteä	152
	8530904	25 ft.–30 ft. (7,6 m–9,1 m) Puomin Varsi Puolikiinteä	152
E	8530886	Täyttämätön Vastapainopohja	154
	8530887	Täytetty Vastapainopohja	154
F	8530907	Vastapainopohjan Tunkit	156
G	8530777	Vastapainopohjan Nostorenkaat	156
H	8530888	Lattia-asennuspohja	158
I	8530889, 8530920, 8530921	Upotettu Asennuspohja	159
J	8530908	Vastapainopohjan Pyörät	156
K	8530912	Haarukkakotelo Sarja	161
L	8530925	Haarukkakotelo Sarja	162



Modulaarinen Säädettävä Puomin Varsi

TEKNISET TIEDOT -LEHTI: 8530891-8530894

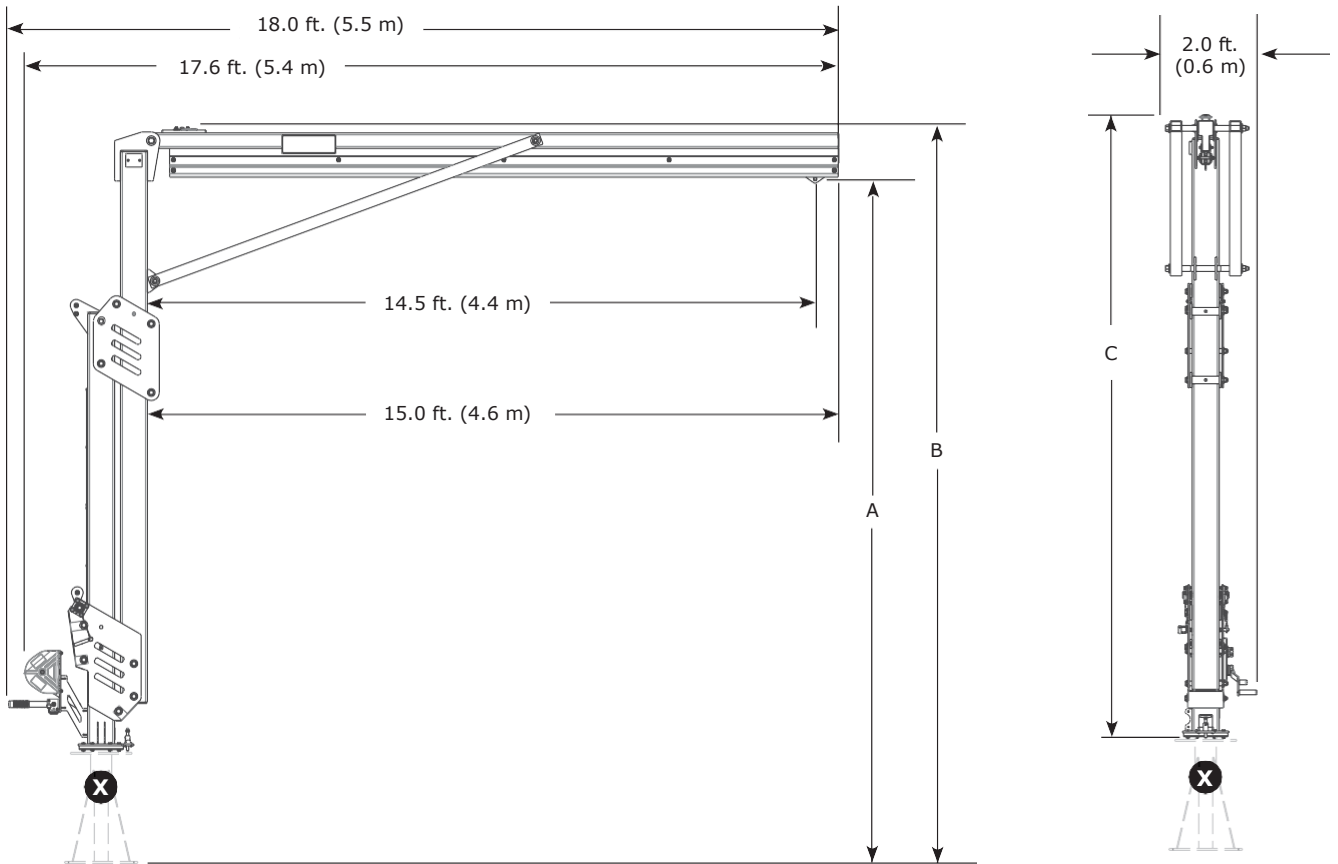
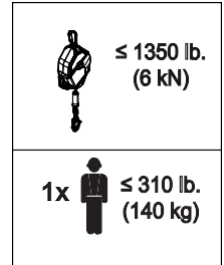


SOVELLUS:

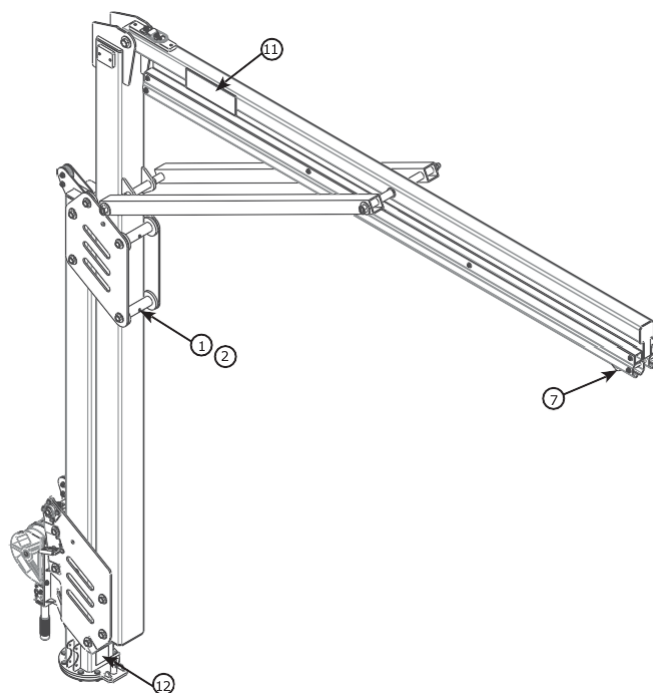
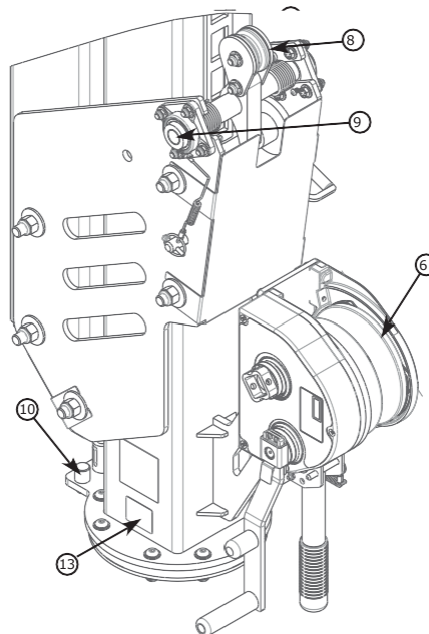
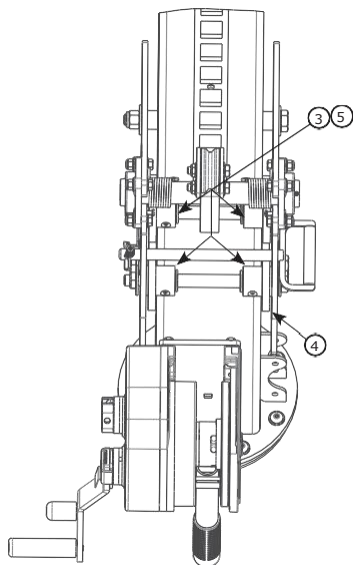
Modulaarinen puomin varsi on suunniteltu tarjoamaan kiinnityspisteitä putoamissuojajärjestelmälle.

Lisätietoja tuotteen asennuksesta löytyy 3M:n käyttöohjeesta 5908372.

Standardit: EN795:2012 Tyyppi E, OSHA 1910.140, OSHA 1926.502



	A	B	C	lb. (kg)
8530891	12.3 ft. – 15.0 ft. (3.8 m – 4.6 m)	13.4 ft. – 16.1 ft. (4.1 m – 4.9 m)	9.8 ft. – 14.8 ft. (3.0 m – 4.5 ft.)	945 lb. (429 kg)
8530892	14.8 ft. – 20.0 ft. (4.5 m – 6.1 m)	15.9 ft. – 21.1 ft. (4.8 m – 6.4 m)	13.5 ft. – 18.7 ft. (4.1 m – 5.7 m)	1,057 lb. (479 kg)
8530893	17.3 ft. – 25.0 ft. (5.3 m – 7.6 m)	18.4 ft. – 26.1 ft. (5.6 m – 8.0 m)	16.0 – 23.7 ft. (4.9 m – 7.2 m)	1,169 lb. (530 kg)
8530894	19.8 ft. – 30.0 ft. (6.0 m – 9.1 m)	20.9 ft. – 31.1 ft. (6.4 m – 9.5 m)	18.5 ft. – 28.7 ft. (5.6 m – 8.7 m)	1,281 lb. (581 kg)



Komponenttiluettelo				
	Osanumero	Kuvaus	Materiaali	Määrä
1	8550046	Leveä Rulla	Nylon	4
2	8550047	Leveän Rullan Välikappale	304 Ruostumaton Teräs	4
3	8550327	Kapea Rulla	Nylon	4
4	9514703	Sivurulla	Nylon	12
5	8550213	Kapean Rullan Välikappale	304 Ruostumaton Teräs	4
6	8549930	Vinssi	Teräs	1
7	8521711	Vaunu	Teräs, Nylon	1

Komponenttiluettelo				
	Osanumero	Kuvaus	Materiaali	Määrä
8	8550223	Lukitusmekanismi (vain valtuutettu korjaus)	Teräs, Nylon	1
9	9515138	Laakerit	Teräs	2
10	8550398	Kiertorajoitin	Alumiini	2
11	9515111	3M Tarra	Polyester	2
12	9515101	Kiertotarra	Polyester	1
13	9514429	ID Tarra	Polyester	1
14	9515112	Käyttäjätarra	Polyester	1

Modulaarinen Puomin Varsi Puolikiinteä

TEKNISET TIEDOT -LEHTI: 8530899-8530901

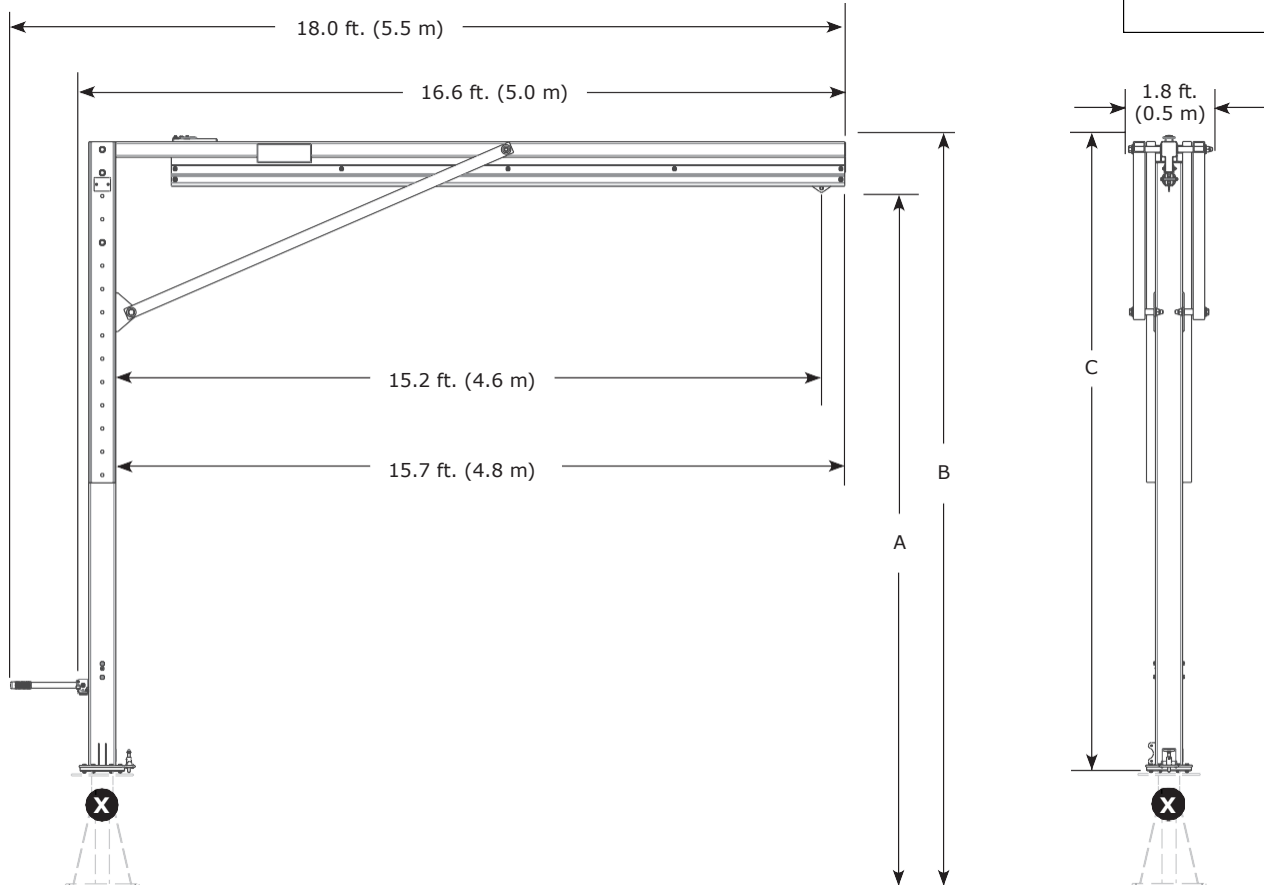
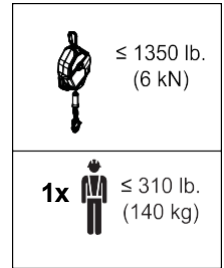


SOVELLUS:

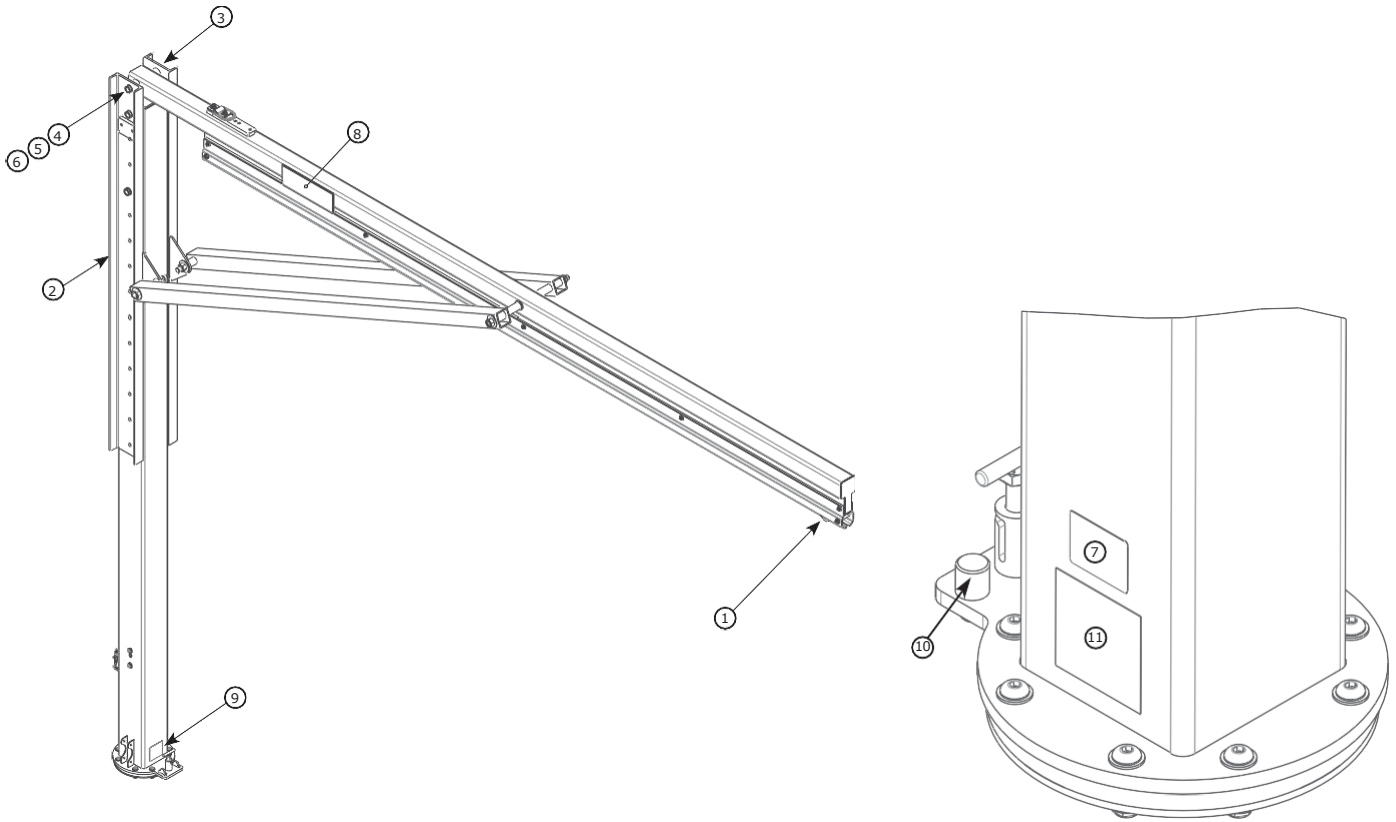
Modulaarinen puomin varsi on suunniteltu tarjoamaan kiinnityspisteitä putoamissuojajärjestelmälle.

Lisätietoja tuotteen asennuksesta löytyy 3M:n käyttöohjeesta 5908372.

Standardit: EN795:2012 Tyyppi E, OSHA 1910.140, OSHA 1926.502.



	A	B	C	lb. (kg)
8530899	15.0 ft. – 20.0 ft. (4.6 m – 6.1 m)	16.1 ft. – 21.1 ft. (4.9 m – 6.4 m)	13.7 ft. – 18.7 ft. (4.2 m – 5.7 m)	818 lb. (371 kg)
8530900	20.0 ft. – 25.0 ft. (6.1 m – 7.6 m)	21.1 ft. – 26.1 ft. (6.4 m – 7.9 m)	18.7 ft. – 23.7 ft. (5.7 m – 7.2 m)	930 lb. (422 kg)
8530901	25.0 ft. – 30.0 ft. (7.6 m – 9.1 m)	26.1 ft. – 31.1 ft. (7.9 m – 9.6 m)	23.7 ft. – 28.7 ft. (7.2 m – 8.7 m)	1,041 lb. (472 kg)
+6" (152 mm) säätövälikoot				



	Osanumero	Kuvaus	Materiaali	Määrä
1	8521711	Vaunu	Ruostumaton Teräs, Teräs, Nylon	1
2	8549933	Pelastuskiinnityskanava	Teräs	1
3	8550248	Kanava	Teräs	1
4	8526654	3/4" x 9" Pultti	Teräs	2
5	8522275	3/4" Prikka	Teräs	4
6	8518276	3/4" Mutteri	Teräs	2
7	9514429	ID Tarra	Polyester	1

	Osanumero	Kuvaus	Materiaali	Määrä
8	9515111	3M Tarra	Polyester	2
9	9515101	Kiertotarra	Polyester	1
10	8550398	Kiertorajoitin	Alumiini	2
11	9515112	Käyttäjätarra	Polyester	1

Modulaarinen Säädettävä Puomin Varsi

TEKNISET TIEDOT -LEHTI: 8530895-8530898

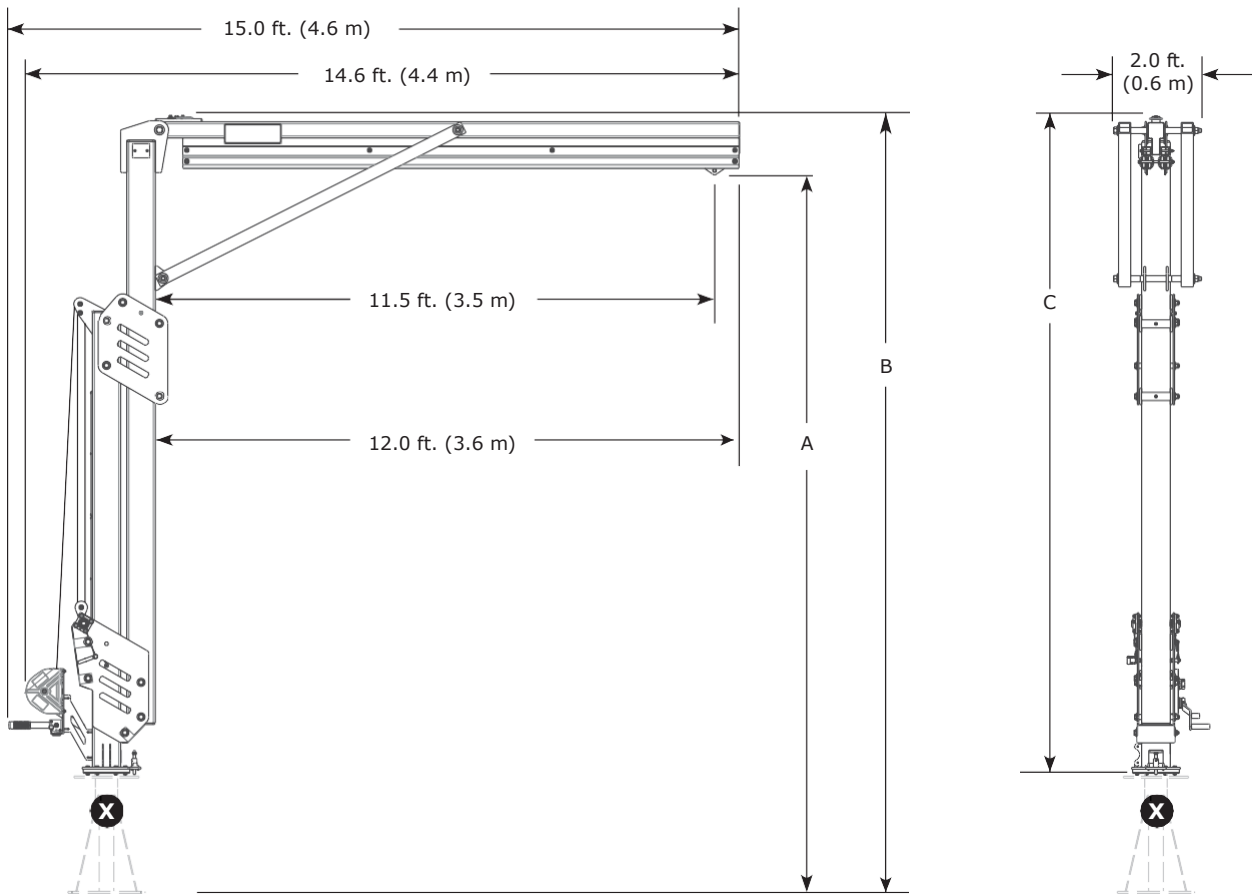
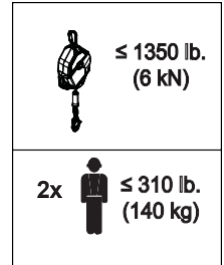


SOVELLUS:

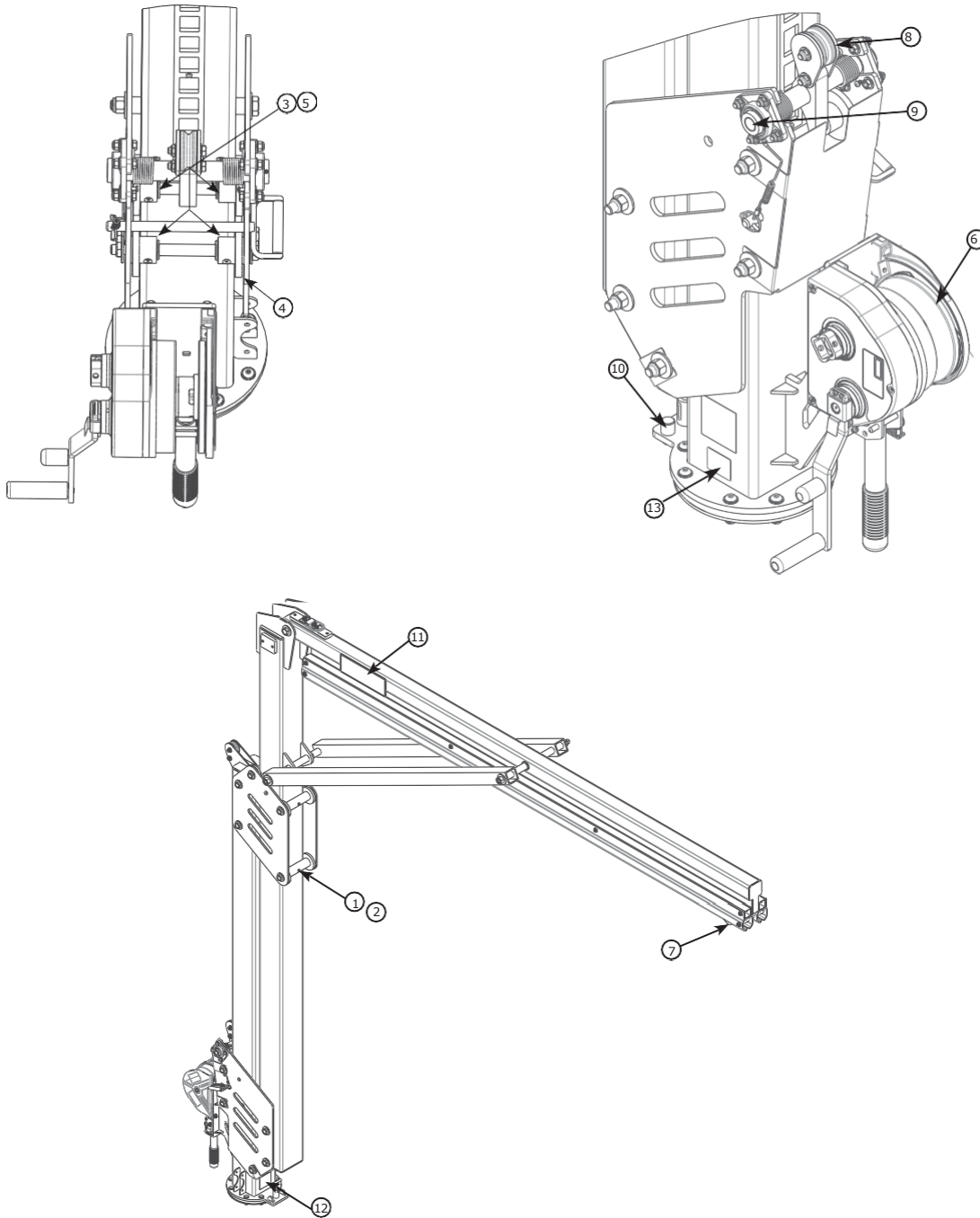
Modulaarinen puomin varsi on suunniteltu tarjoamaan kiinnityspisteitä putoamissuojajärjestelmälle.

Lisätietoja tuotteen asennuksesta löytyy 3M:n käyttöohjeesta 5908372.

Standardit: CEN/TS 16415:2013 Tyyppi E, EN795:2012 Tyyppi E, OSHA 1910.140, OSHA 1926.502.



	A	B	C	lb. (kg)
8530895	12.3 ft. – 15.0 ft. (3.8 m – 4.6 m)	13.4 ft. – 16.1 ft. (4.1 m – 4.9 m)	11.0 ft. – 13.7 ft. (3.4 m – 4.2 ft.)	1,011 lb. (459 kg)
8530896	14.8 ft. – 20.0 ft. (4.5 m – 6.1 m)	15.9 ft. – 21.1 ft. (4.8 m – 6.4 m)	13.5 ft. – 18.7 ft. (4.1 m – 5.7 m)	1,123 lb. (509 kg)
8530897	17.3 ft. – 25.0 ft. (5.3 m – 7.6 m)	18.4 ft. – 26.1 ft. (5.6 m – 8.0 m)	16.0 – 23.7 ft. (4.9 m – 7.2 m)	1,235 lb. (560 kg)
8530898	19.8 ft. – 30.0 ft. (6.0 m – 9.1 m)	20.9 ft. – 31.1 ft. (6.4 m – 9.5 m)	18.5 ft. – 28.7 ft. (5.6 m – 8.7 m)	1,343 lb. (609 kg)



Komponenttiluettelo				
	Osanu mero	Kuvaus	Materiaali	Määrä
1	8550046	Leveä Rulla	Nylon	4
2	8550047	Leveän Rullan Välikappale	304 Ruostumaton Teräs	4
3	8550327	Kapea Rulla	Nylon	4
4	9514703	Sivurulla	Nylon	12
5	8550213	Kapean Rullan Välikappale	304 Ruostumaton Teräs	4
6	8549930	Vinssi	Teräs	1

Komponenttiluettelo				
	Osanu mero	Kuvaus	Materiaali	Määrä
8	8550223	Lukitusmekanismi (vain valtuutettu korjaus)	Teräs, Nylon	1
9	9515138	Laakerit	Teräs	2
10	8550398	Kiertorajoitin	Alumiini	2
11	9515111	3M Tarra	Polyester	2
12	9515101	Kiertotarra	Polyester	1
13	9514429	ID Tarra	Polyester	1
14	9515112	Käyttäjätarra	Polyester	1

Modulaarinen Puomin Varsi Puolikiinteä

TEKNISET TIEDOT -LEHTI: 8530902-8530904





SOVELLUS:

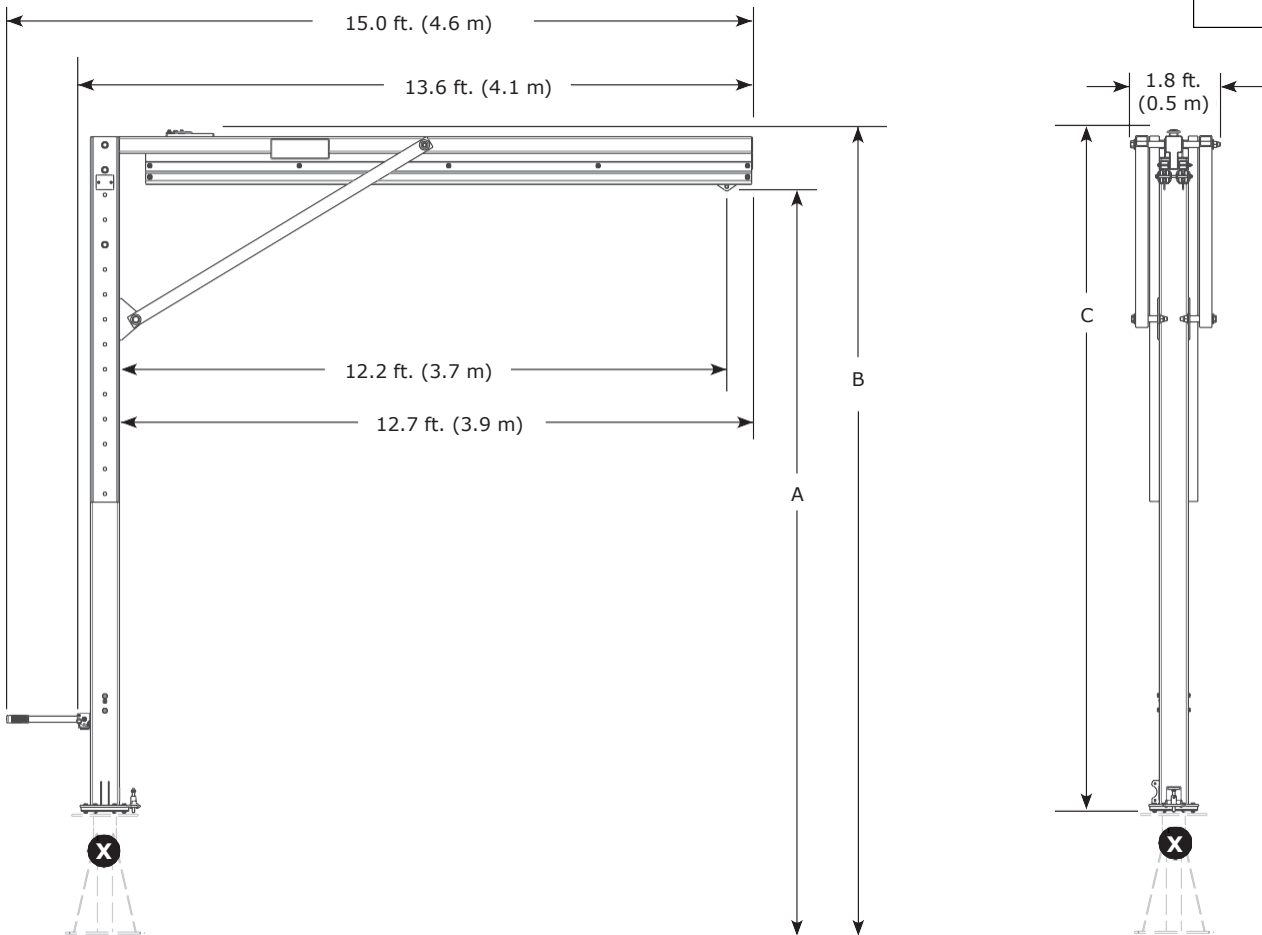
Modulaarinen puomin varsi on suunniteltu tarjoamaan kiinnityspisteitä putoamissuojajärjestelmälle.

Lisätietoja tuotteen asennuksesta löytyy 3M:n käyttöohjeesta 5908372.

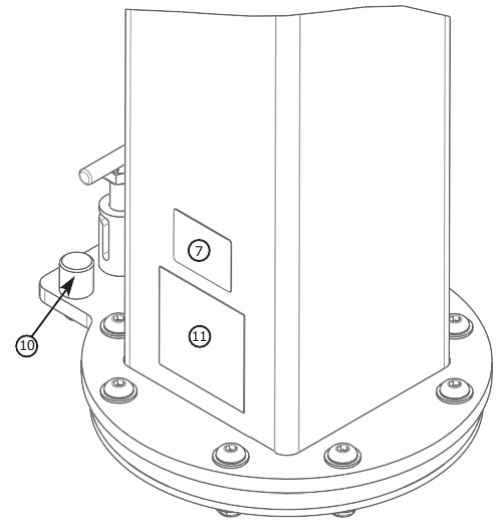
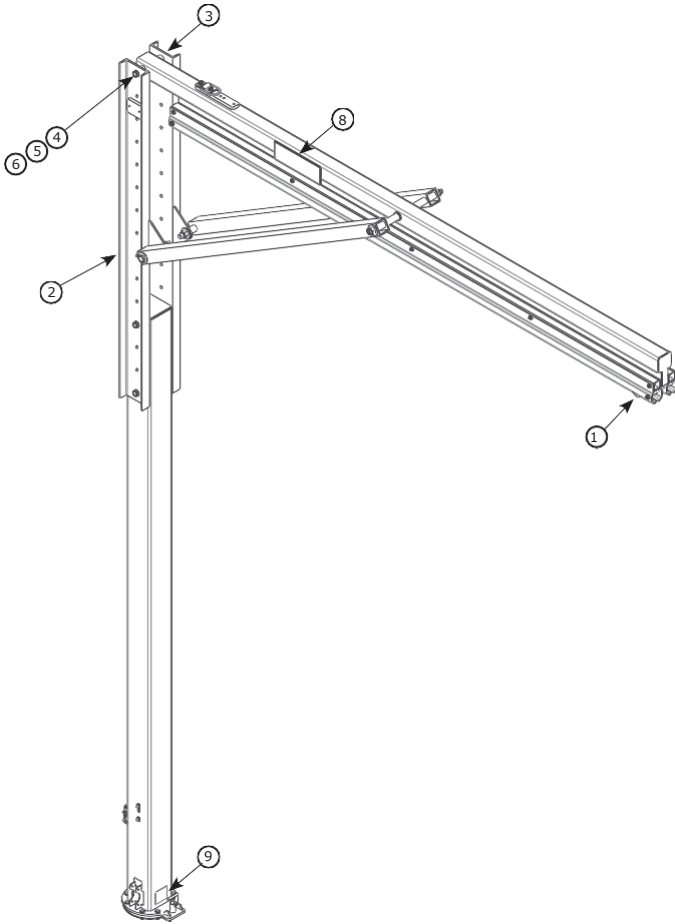
Standardit: CEN/TS 16415:2013 Tyyppi E, EN795:2012 Tyyppi E, OSHA 1910.140, OSHA 1926.502.


≤ 1350 lb.
(6 kN)

2x 
≤ 310 lb.
(140 kg)



	A	B	C	lb. (kg)
8530902	15.0 ft. – 20.0 ft. (4.6 m – 6.1 m)	16.1 ft. – 21.1 ft. (4.9 m – 6.4 m)	13.7 ft. – 18.7 ft. (4.2 m – 5.7 m)	850 lb. (386 kg)
8530903	20.0 ft. – 25.0 ft. (6.1 m – 7.6 m)	21.1 ft. – 26.1 ft. (6.4 m – 7.9 m)	18.7 ft. – 23.7 ft. (5.7 m – 7.2 m)	961 lb. (436 kg)
8530904	25.0 ft. – 30.0 ft. (7.6 m – 9.1 m)	26.1 ft. – 31.1 ft. (7.9 m – 9.6 m)	23.7 ft. – 28.7 ft. (7.2 m – 8.7 m)	1,073 lb. (487 kg)



	Osanu mero	Kuvaus	Materiaali	Määrä
1	8521711	Vaunu	Ruostumaton Teräs, Teräs, Nylon	1
2	8549933	Pelastuskiinni tyskanava	Teräs	1
3	8550248	Kanava	Teräs	1
4	8526654	3/4" x 9" Pultti	Teräs	2
5	8522275	3/4" Prikka	Teräs	4
6	8518276	3/4" Mutteri	Teräs	2
7	9514429	ID Tarra	Polyester	1

	Osanu mero	Kuvaus	Materiaali	Määrä
8	9515111	3M Tarra	Polyester	2
9	9515101	Kiertotarra	Polyester	1
10	8550398	Kiertorajoitin	Alumiini	2
11	9515112	Käyttäjätarra	Polyester	1

M200 Vastapainopohja

TEKNISET TIEDOT -LEHTI: 8530886, 8530887



Fall Protection

SOVELLUS:

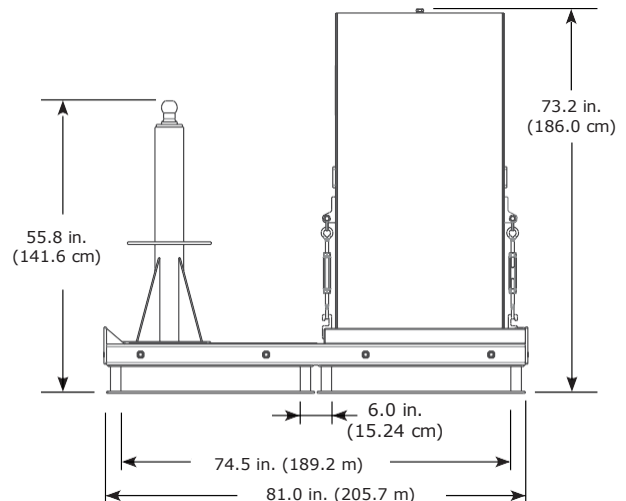
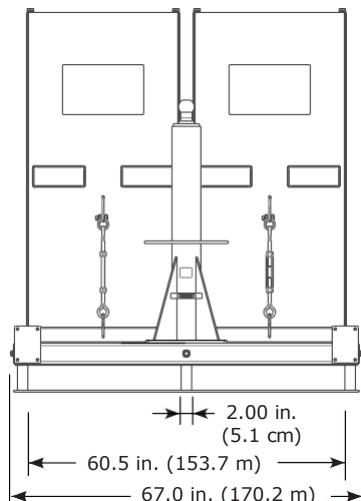
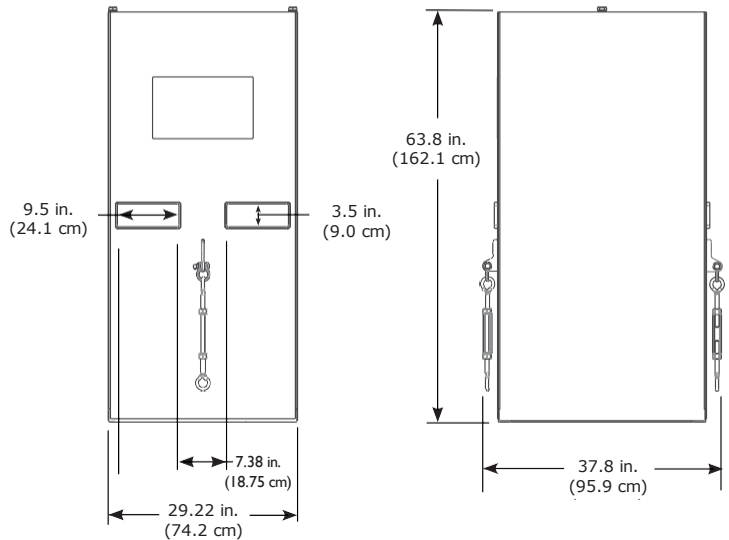
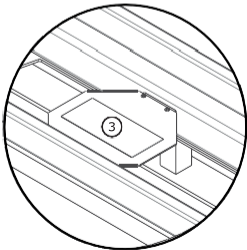
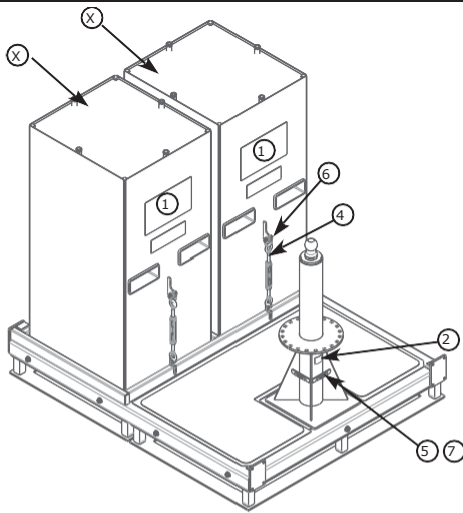
Vastapainopohja on suunniteltu täytettäväksi betonilla ja käytettäväksi kiinnityspisteenä 3M™ DBI-SALA® Flexiguard™ Modulaariselle Puomijärjestelmälle.

Lisätietoja tuotteen asennuksesta löytyy 3M:n käyttöohjeesta 5908374.

Standardit: CEN/TS 16415:2013 Tyyppi E, EN795:2012 Tyyppi E, OSHA 1910.140, OSHA 1926.502.

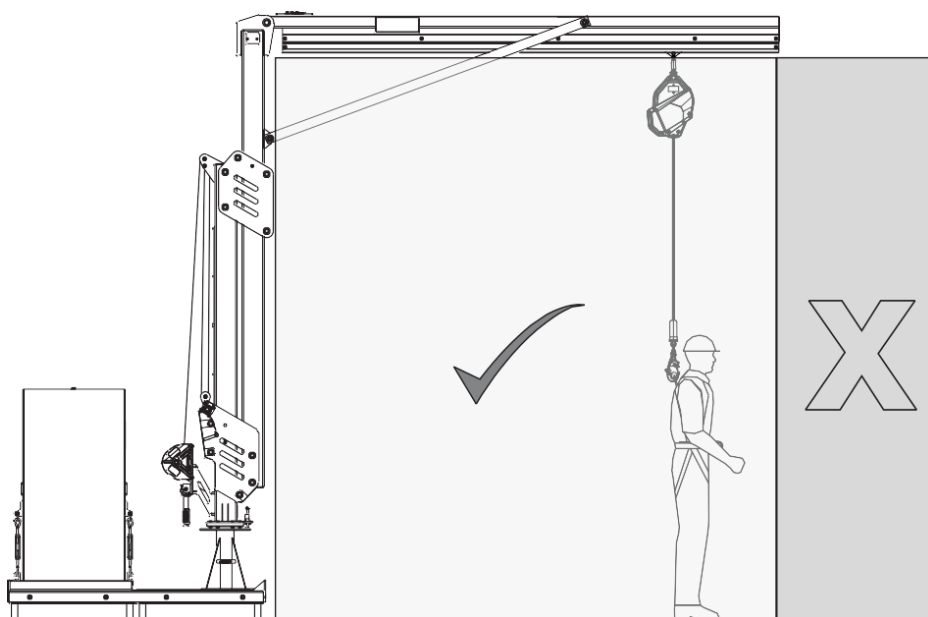
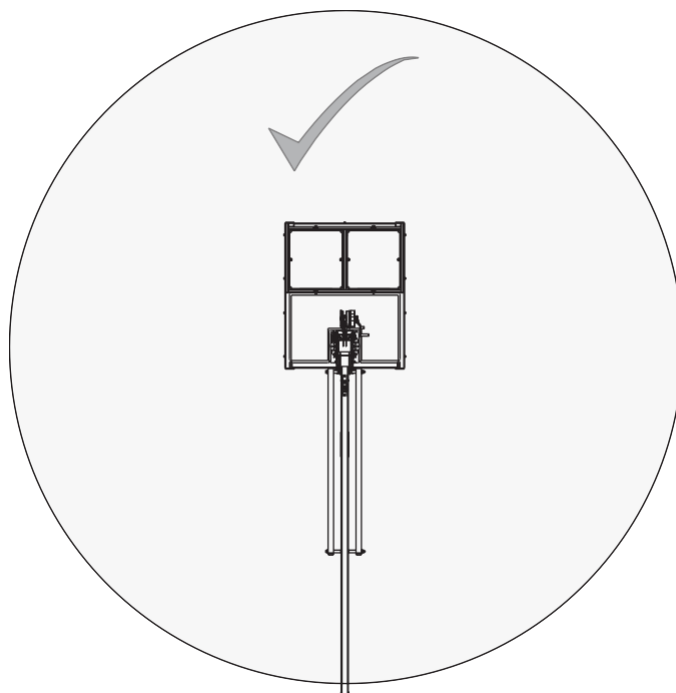
	X 4,000 psi (30 MPa)	Leporakenteen vaatimukset	Nettopaino
8530886		14,645 lb. (6,643 kg)	2,407 lb. (1,092 kg)
8530887	✓	+ M200 Puomivarren paino	11,325 lb. (5,137 kg)

Komponenttiluettelo				
	Osanumero	Kuvaus	Materiaali	Määrä
①	9515107	Käyttäjätarra	Polyester	1
②	9514429	ID Tarra	Polyester	1
③	9515106	Varoitustarra	Polyester	1
④	8520575	Kiristysruuvi	Teräs	2
⑤	9513627	#4 Ruuvi	Teräs	4
⑥	9501794	Sakeli	Teräs	2
⑦	9515058	Vesivaaka	Muovi	2
⑧	9515566	Varoitustarra	Polyester	4



SOVELLUS:

Viittaa alla olevaan kaavioon tuotteen työskentelyalueesta.



M200 Vastapainopohjan Lisävarusteet

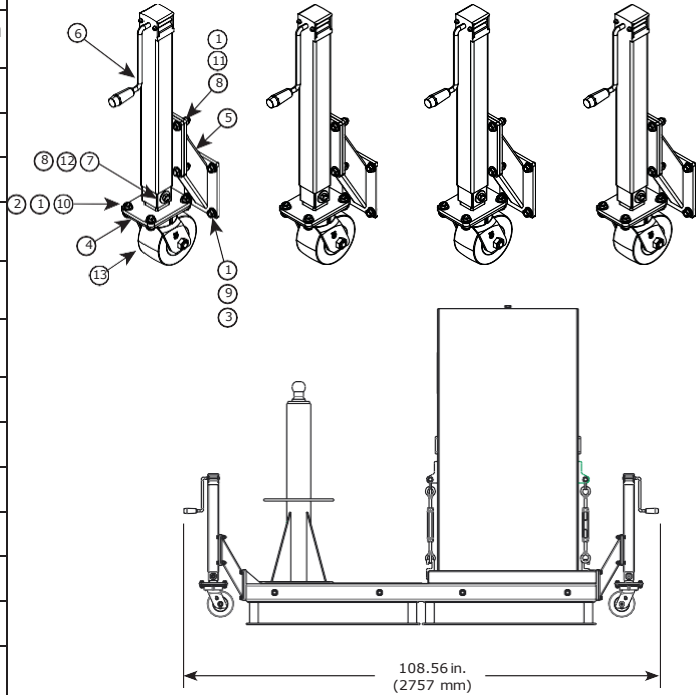
TEKNISET TIEDOT -LEHTI: 8530907, 8530908, 8530777



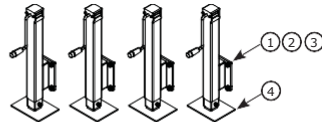
Fall Protection

Paino	
8530908	152 lb. (69 kg)

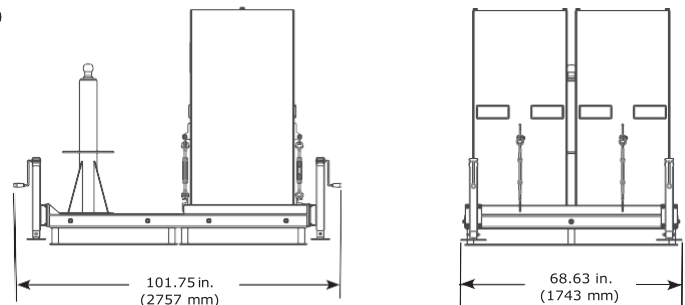
Komponenttiluettelo				
	Osanumero	Kuvaus	Materiaali	Määrä
1	8510037	1/2" Prikka	Teräs	80
2	8512460	1/2" x 1 1/4" Pultti	Teräs	16
3	8518432	1/2" x 1" Pultti	Teräs	16
4	8550153	Pyörän Hitsauskappale	Teräs	4
5	8550155	Kulmahitsauskappale	Teräs	4
6	8550156	Asennettu Hitsauskappale	Teräs	4
7	9501243	1/2" Prikka	Teräs	8
8	9501831	1/2" Kuusimutteri	Teräs	20
9	9504221	1/2" Prikka	Teräs	16
10	9504813	1/2" Kuusimutteri	Teräs	16
11	9509276	1/2" x 1 3/4" Pultti	Teräs	16
12	9510153	1/2" x 3 1/4" Pultti	Teräs	4
13	9515081	Kääntöpyörä	Teräs, Uretaani	4



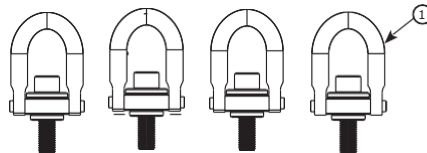
Paino	
8530907	108 lb. (49 kg)



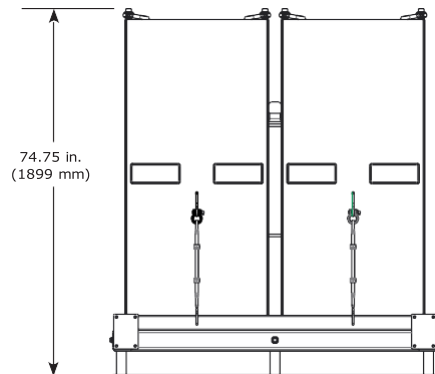
	Osanumero	Kuvaus	Materiaali	Määrä
1	9504221	1/2" Lukitusprikka	Teräs	16
2	8510037	1/2" Prikka	Teräs	16
3	8518432	1/2" x 1" Pultti	Teräs	16
4	8550177	Pyörän Hitsauskappale	Teräs	4



Paino	
8530777	12 lb. (5.4 kg)



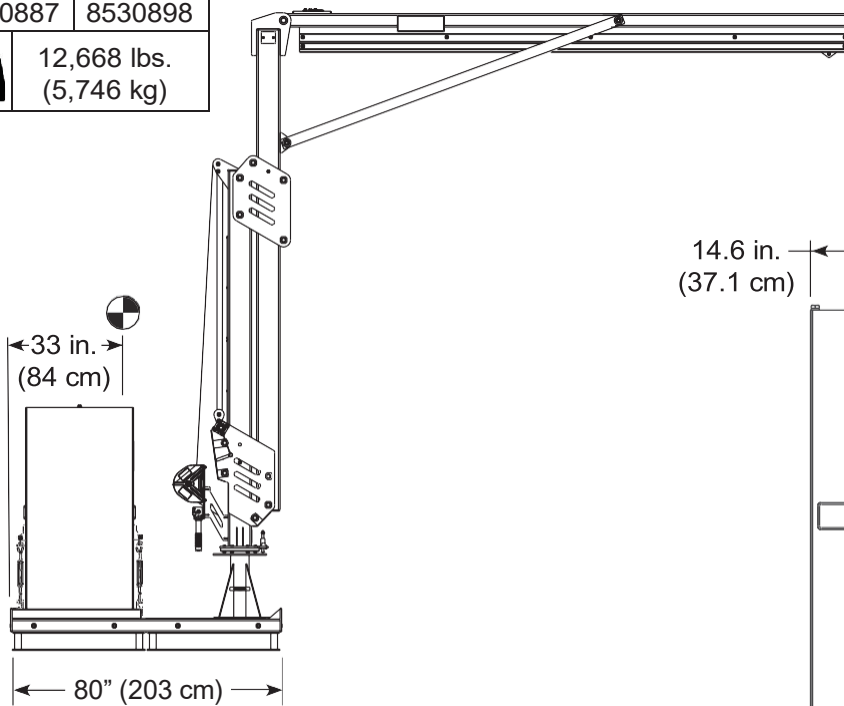
Komponenttiluettelo				
	Osanumero	Kuvaus	Materiaali	Määrä
①	9512574	Nostorengas	Teräs	4



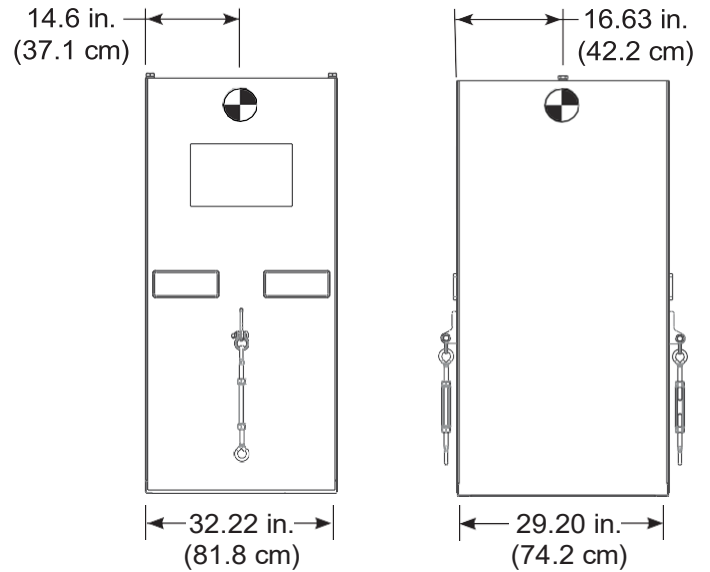
M200 Vastapainopohjan Painopiste
TEKNISET TIEDOT -LEHTI: 8530886, 8530887



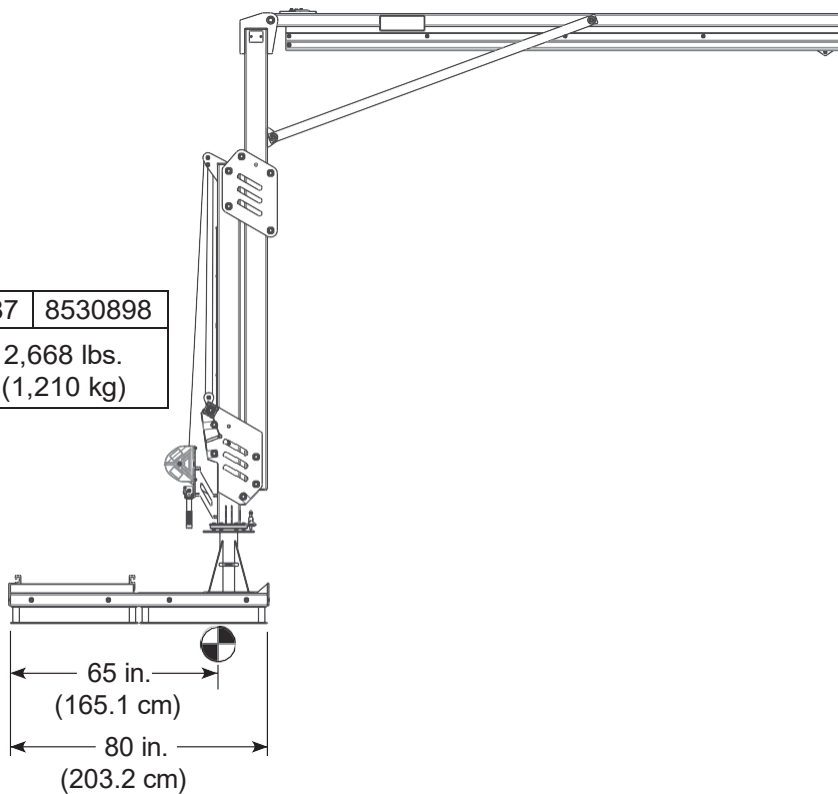
8530887	8530898
.lb (kg)	12,668 lbs. (5,746 kg)



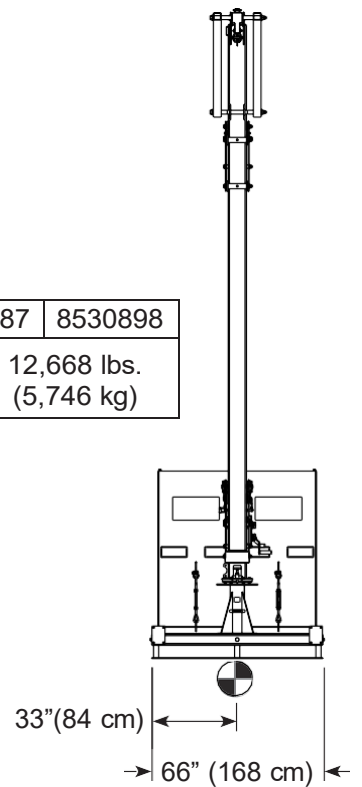
.lb (kg)	5,000 lbs. (2,268 kg)
----------	--------------------------



8530887	8530898
.lb (kg)	2,668 lbs. (1,210 kg)



8530887	8530898
.lb (kg)	12,668 lbs. (5,746 kg)



M200 Lattia-asennuspohja

TEKNISET TIEDOT -LEHTI: 8530888

3M

DBI
SALA
Fall Protection

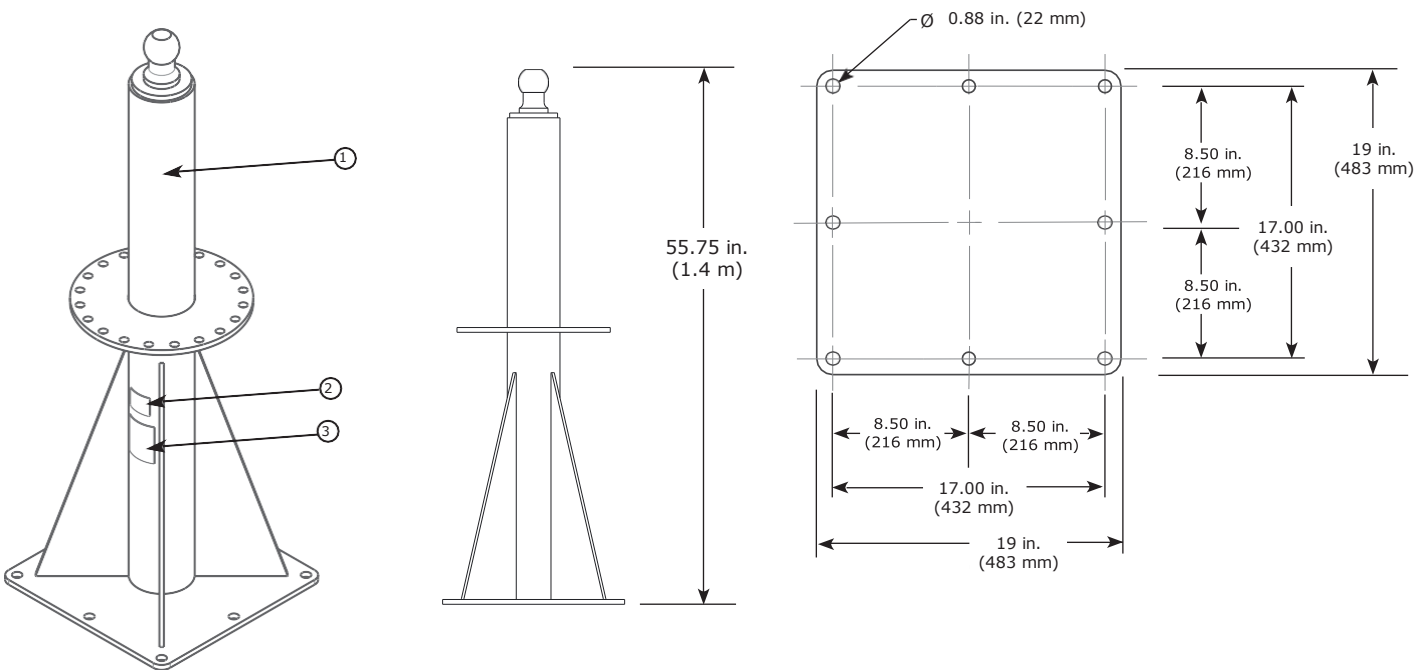
SOVELLUS:

Lattia-asennuspohja on suunniteltu kiinnitettäväksi hyväksytyihin rakenteisiin ja käytettäväksi kiinnityspisteenä 3M:n hyväksytyille modulaariselle puomijärjestelmälle.

Lisätietoja tuotteen asennuksesta löytyy 3M:n käyttöohjeesta 5908375.

Standardit: CEN/TS 16415:2013 Tyyppi A, EN795:2012 Tyyppi A, OSHA 1910.140, OSHA 1926.502.

	Nettopaino
8530888	265 lb. (120 kg)



Komponenttiluettelo				
	Osanumero	Kuvaus	Materiaali	Määrä
①	8549921	Pohjan hitsausosa	Teräs	1
②	9514429	ID-tarra	Polyesteri	1
③	9515114	Käyttäjätarra	Polyesteri	1

Asennusvaatimukset		
Kiinnikkeen vähimmäisvetolujuus	Asennusrakenteen vähimmäismomenttikuorma	Asennusrakenteen vähimmäispystysuora kuorma
9,386 lb. (4,257 kg)	501,633 in.-lb. (56,677 N-m)	3,320 lb. (1,506 kg) + Pohjan Paino + M200 Puomivarren Paino

M200 Upotettu Asennuspohja

TEKNISET TIEDOT -LEHTI: 8530889, 8530920, 8530921



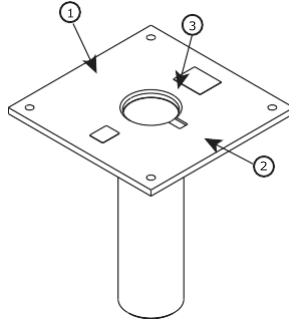
SOVELLUS:

Upotettu asennuspohja on suunniteltu kiinnitettäväksi hyväksytyihin rakenteisiin ja käytettäväksi kiinnityspisteenä 3M:n hyväksytyille modulaariselle puomijärjestelmälle.

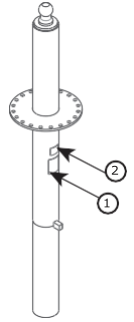
Lisätietoja tuotteen asennuksesta löytyy 3M:n käyttöohjeesta 5908375.

Standardit: CEN/TS 16415:2013, EN795:2012 Tyyppi A, OSHA 1910.140, OSHA 1926.502.

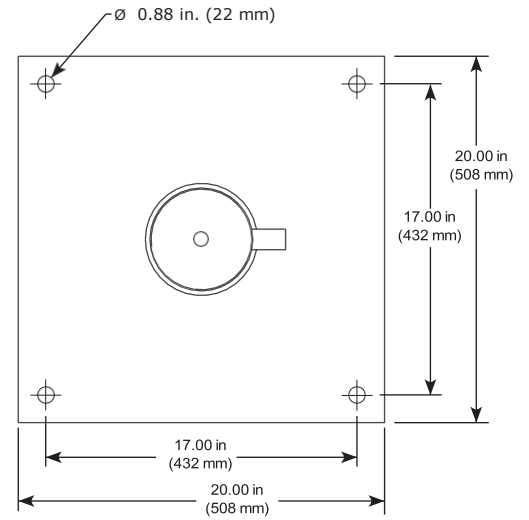
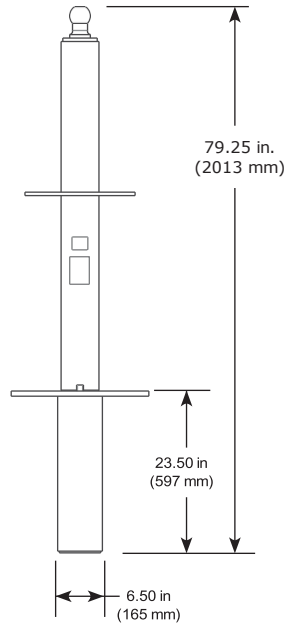
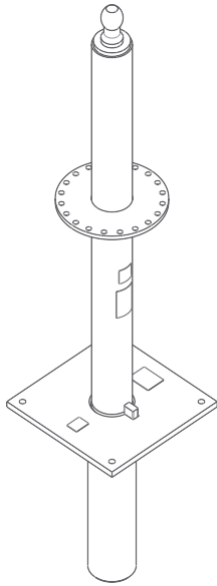
	Nettopaino
8530920	140 lb. (64 kg)



	Nettopaino
8530921	237 lb. (107 kg)



	Nettopaino
8530889	377 lb. (171 kg)

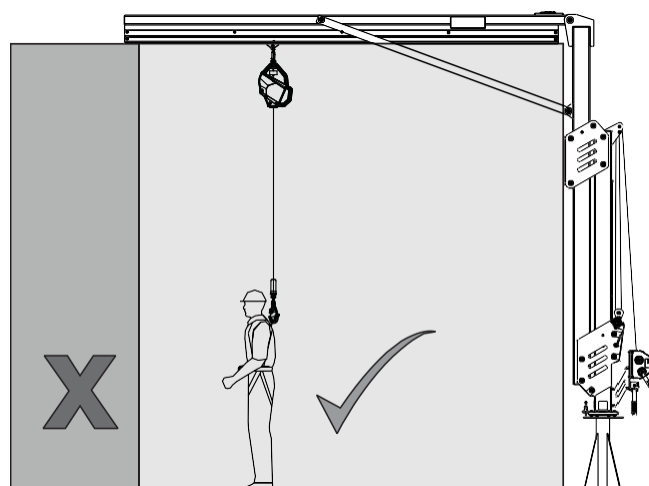
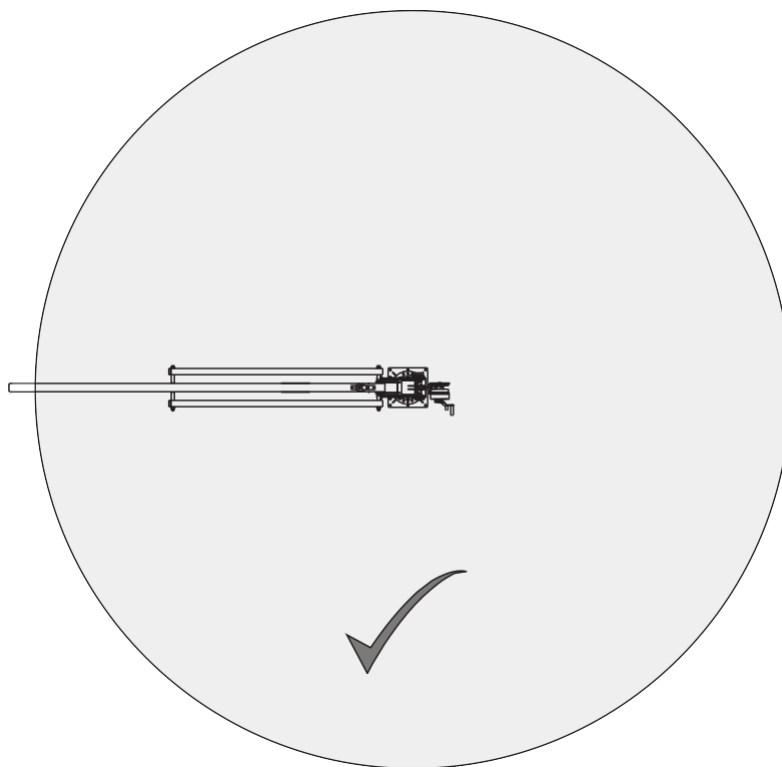


Komponenttiluettelo				
	Osanumero	Kuvaus	Materiaali	Määrä
①	9515114	Käyttäjätarra	Polyesteri	1
②	9514429	ID-tarra	Polyesteri	1
③	8550165	Pohjakorkki	Ruostumaton teräs, Kumi	1

Asennusvaatimukset	
Asennusrakenteen vähimmäismomenttikerä	Asennusrakenteen vähimmäispystysuora kuorma
501,633 in-lb. (56,677 N-m)	3,320 lb. (1,506 kg) + Pohjan Paino + M200 Puomivarren Paino

SOVELLUS:

Viittaa alla olevaan kaavioon tuotteen työskentelyalueesta.



Lattiataskusarja

TEKNISET TIEDOT -LEHTI: 8530912

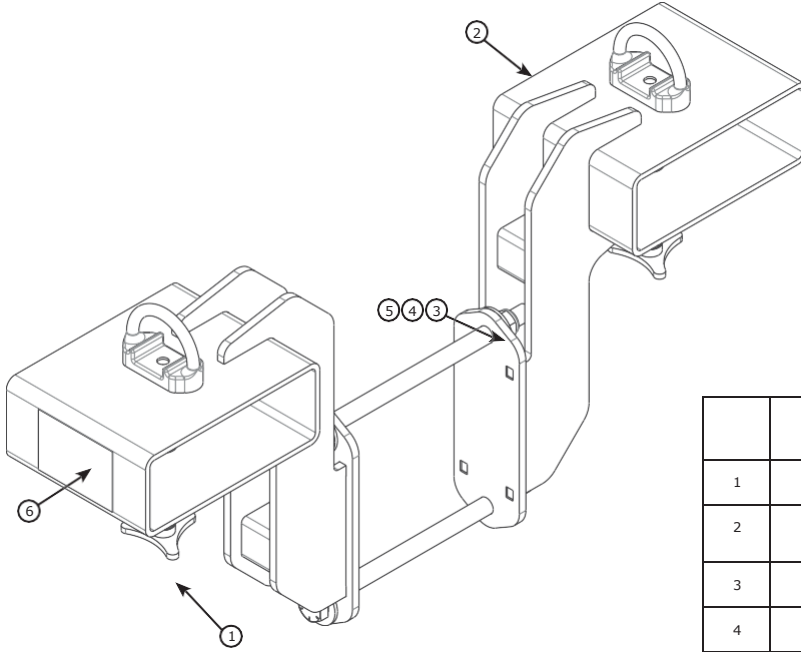
3M

DBI
SALA
Fall Protection

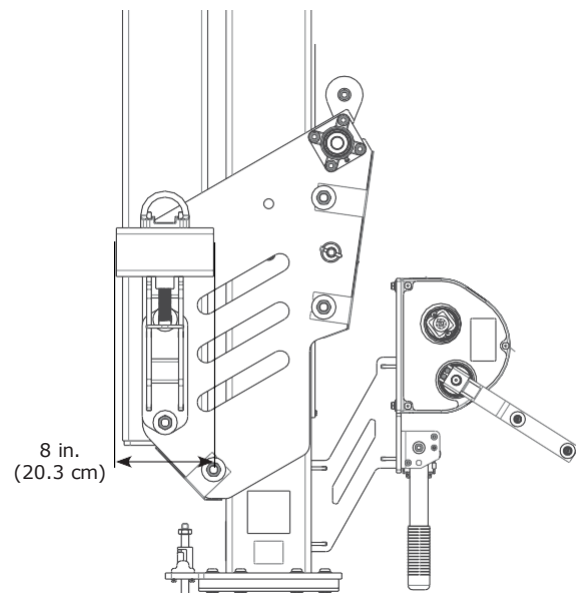
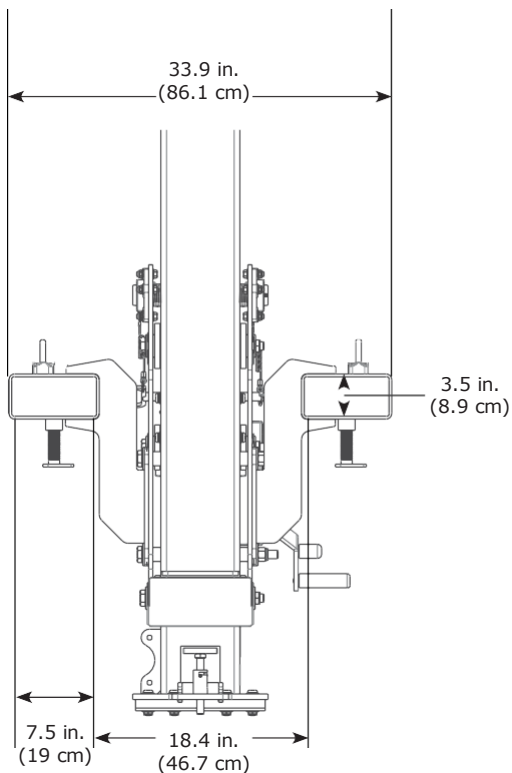
SOVELLUS:

Tämä haarukkakotelo sarja on suunniteltu kuljettamaan vinssikäyttöisiä davit-malleja **8530891–8530898**.

Lisätietoja komponenttien asennuksesta löytyy 3M:n käyttöohjeesta 5908372.



	Osanumero	Kuvaus	Määrä
1	8550127	Kolmio-ruuvi	2
2	8549905	Haarukkakotelon Hitsauskappale	2
3	8518276	3/4" Kuusimutteri	2
4	9512004	3/4" x 12" Pultti	2
5	M970033018	3/4" Prikka	4
6	9515122	Käyttäjätarra	1
	9500146	Ketjulenkki	2
	8517096	Ketju	10 ft.



Lattiataskusarja

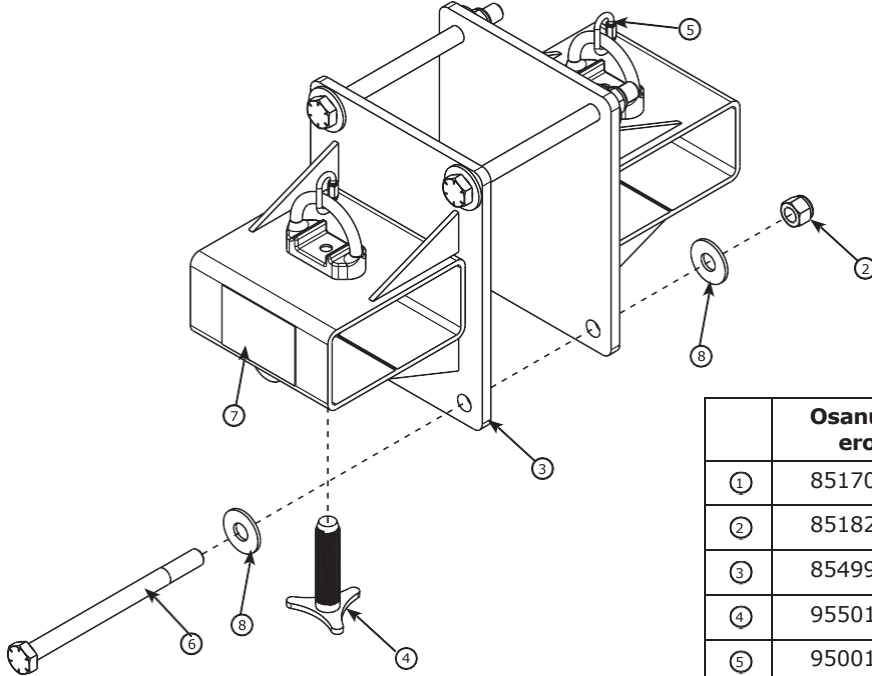
TEKNISET TIEDOT -LEHTI: 8530925



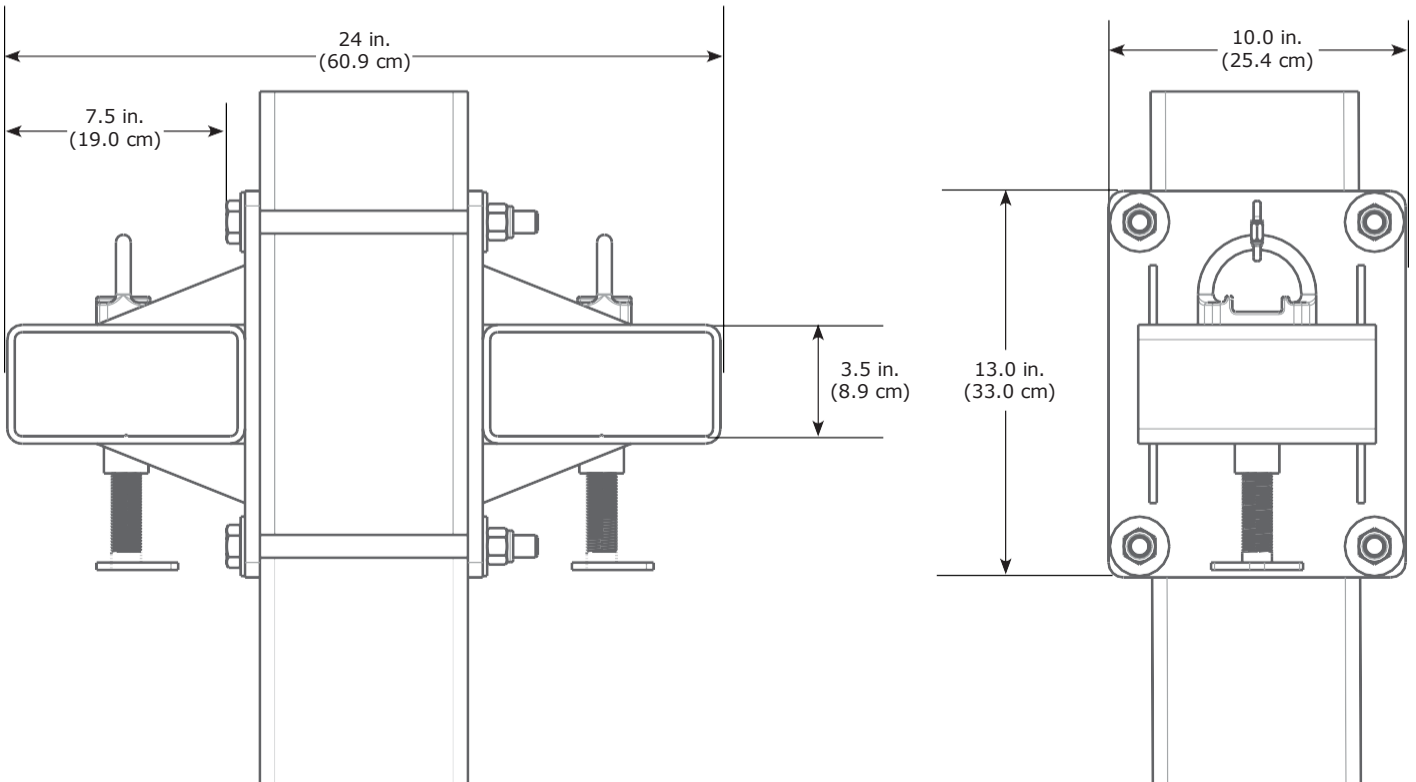
SOVELLUS:

Tämä haarukkakotelo sarja on suunniteltu kuljettamaan säätökanavalla varustettuja davit-malleja **8530899-8530904**.

Lisätietoja komponenttien asennuksesta löytyy 3M:n käyttöohjeesta 5908372.



	Osanumero	Kuvaus	Määrä
①	8517096	Ketju (ei näytetty)	10 ft.
②	8518276	3/4" Kuusimutteri	4
③	8549938	Haarukkakotelon Hitsauskappale	2
④	9550127	Kolmio-ruuvin Hitsauskappale	2
⑤	9500146	Pikalukko	2
⑥	9514294	3/4" Kuusiokantapultti	4
⑦	9515573	Varoitustarra	1
⑧	M970033018	3/4" Prikka	8



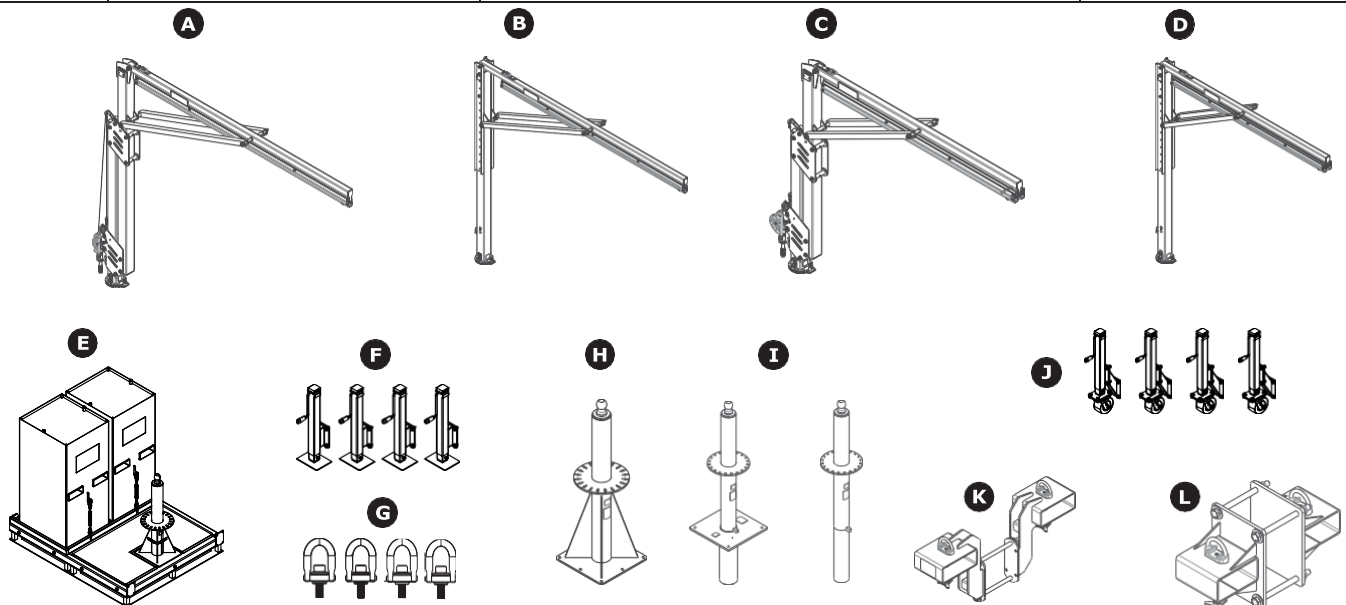


Fall Protection

3M™ DBI-SALA® Systèmes de Potence M200

Pack de fiches techniques 5908526 Rev. D

Appel	Fiche technique	Description	Page
A	8530891	12,3 pi-15 pi (3,8 m-4,6 m) Bras modulaire réglable	164
	8530892	14,8 pi-20 pi (4,5 m-6,1 m) Bras modulaire réglable	164
	8530893	17,3 pi-25 pi (5,3 m-7,6 m) Bras modulaire réglable	164
	8530894	19,8 pi-30 pi (6,1 m-9,1 m) Bras modulaire réglable	164
B	8530899	15 pi-20 pi (4,6 m-6,1 m) Bras modulaire semi-fixe	166
	8530900	20 pi-25 pi (6,1 m-7,6 m) Bras modulaire semi-fixe	166
	8530901	25 pi-30 pi (7,6 m-9,1 m) Bras modulaire semi-fixe	166
C	8530895	12,3 pi-15 pi (3,8 m-4,6 m) Bras modulaire réglable	168
	8530896	14,8 pi-20 pi (4,5 m-6,1 m) Bras modulaire réglable	168
	8530897	17,3 pi-25 pi (5,3 m-7,6 m) Bras modulaire réglable	168
	8530898	19,8 pi-30 pi (6,1 m-9,1 m) Bras modulaire réglable	168
D	8530902	15 pi-20 pi (4,6 m-6,1 m) Bras modulaire semi-fixe	170
	8530903	20 pi-25 pi (6,1 m-7,6 m) Bras modulaire semi-fixe	170
	8530904	25 pi-30 pi (7,6 m-9,1 m) Bras modulaire semi-fixe	170
E	8530886	Base de contrepoids non remplie	172
	8530887	Base de contrepoids remplie	172
F	8530907	Vérins de base de contrepoids	174
G	8530777	Anneaux de levage de base de contrepoids	174
H	8530888	Base de montage au sol	176
I	8530889, 8530920, 8530921	Base de montage encastrée	177
J	8530908	Roues de base de contrepoids	174
K	8530912	Kit de poche de fourche	179
L	8530925	Kit de poche de fourche	180



Bras modulaire réglable

FICHE TECHNIQUE: 8530891-8530894

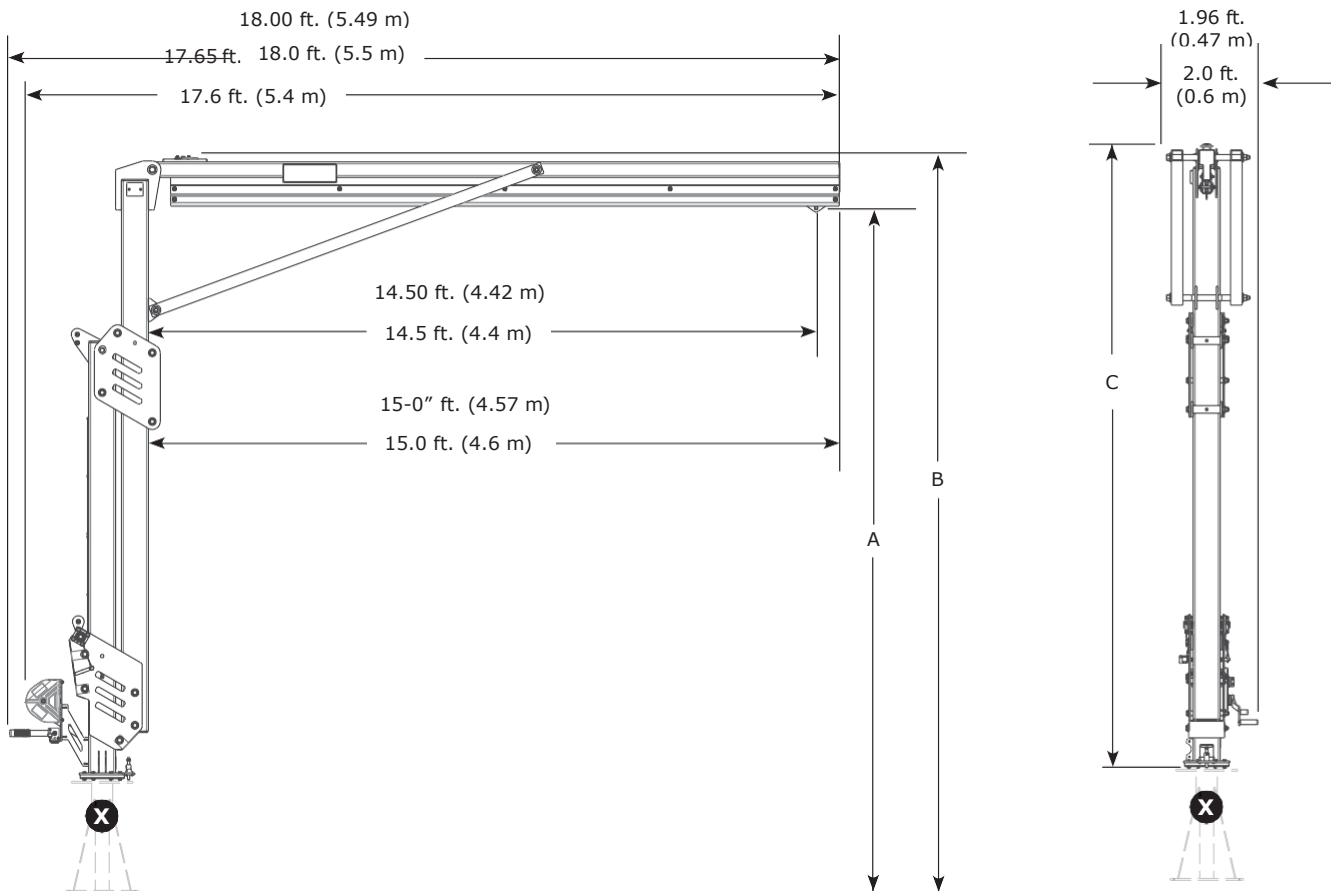
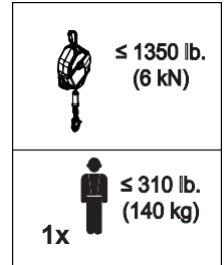


APPLICATION:

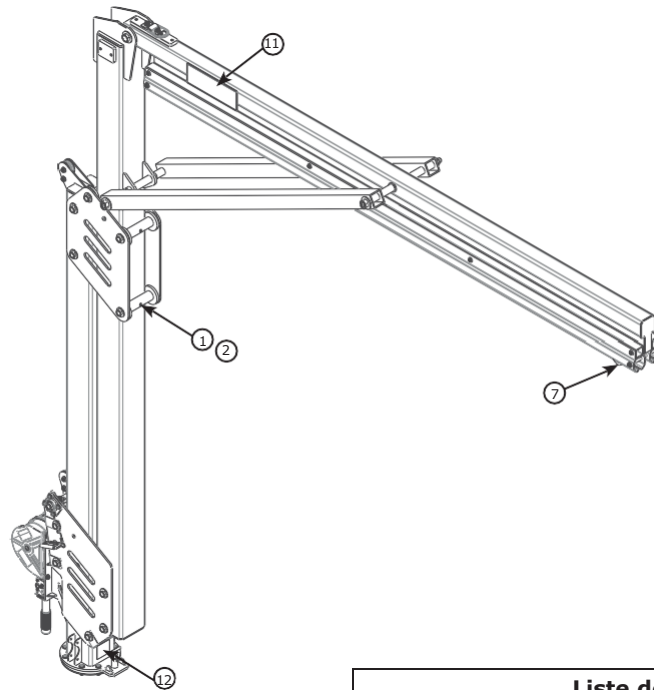
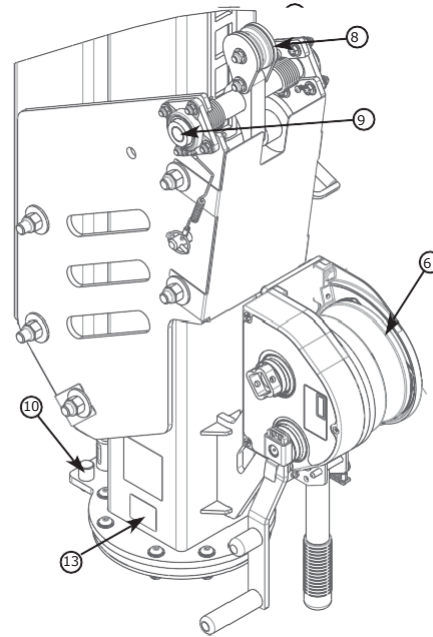
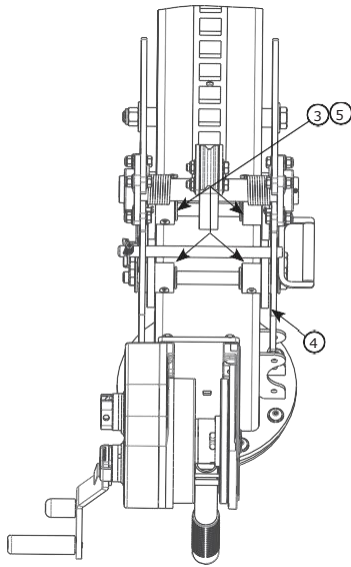
Le bras modulaire est conçu pour fournir des points de connexion d'ancrage pour un système de protection contre les chutes.

Pour plus d'informations sur l'installation du produit, consultez le manuel d'instructions 3M 5908372.

Normes : EN795:2012 Type E, OSHA 1910.140, OSHA 1926.502



	A	B	C	lb. (kg)
8530891	12.3 ft. - 15.0 ft. (3.8 m - 4.6 m)	13.4 ft. - 16.1 ft. (4.1 m - 4.9 m)	9.8 ft. - 14.8 ft. (3.0 m - 4.5 ft.)	945 lb. (429 kg)
8530892	14.8 ft. - 20.0 ft. (4.5 m - 6.1 m)	15.9 ft. - 21.1 ft. (4.8 m - 6.4 m)	13.5 ft. - 18.7 ft. (4.1 m - 5.7 m)	1,057 lb. (479 kg)
8530893	17.3 ft. - 25.0 ft. (5.3 m - 7.6 m)	18.4 ft. - 26.1 ft. (5.6 m - 8.0 m)	16.0 - 23.7 ft. (4.9 m - 7.2 m)	1,169 lb. (530 kg)
8530894	19.8 ft. - 30.0 ft. (6.0 m - 9.1 m)	20.9 ft. - 31.1 ft. (6.4 m - 9.5 m)	18.5 ft. - 28.7 ft. (5.6 m - 8.7 m)	1,281 lb. (581 kg)



Liste des composants				
	Numéro de pièce	Description	Matériau	Quantité
1	8550046	Rouleau large	Nylon	4
2	8550047	Entretoise de rouleau large	Acier inoxydable 304	4
3	8550327	Rouleau étroit	Nylon	4
4	9514703	Rouleau latéral	Nylon	12
5	8550213	Entretoise de rouleau étroit	Acier inoxydable 304	4
6	8549930	Treuil	Acier	1
7	8521711	Chariot	Acier, Nylon	1

Liste des composants				
	Numéro de pièce	Description	Matériau	Quantité
8	8550223	Mécanisme de verrouillage (réparation autorisée uniquement)	Acier, Nylon	1
9	9515138	Roulements	Acier	2
10	8550398	Butée de rotation	Aluminium	2
11	9515111	Étiquette 3M	Polyester	2
12	9515101	Étiquette de rotation	Polyester	1
13	9514429	Étiquette d'identification	Polyester	1
14	9515112	Étiquette utilisateur	Polyester	1

Bras modulaire semi-fixe

FICHE TECHNIQUE: 8530899-8530901




APPLICATION:


Le bras modulaire est conçu pour fournir des points de connexion d'ancrage pour un système de protection contre les chutes.

Pour plus d'informations sur l'installation du produit, consultez le manuel d'instructions 3M 5908372.

Normes : EN795:2012 Type E, OSHA 1910.140, OSHA 1926.502.

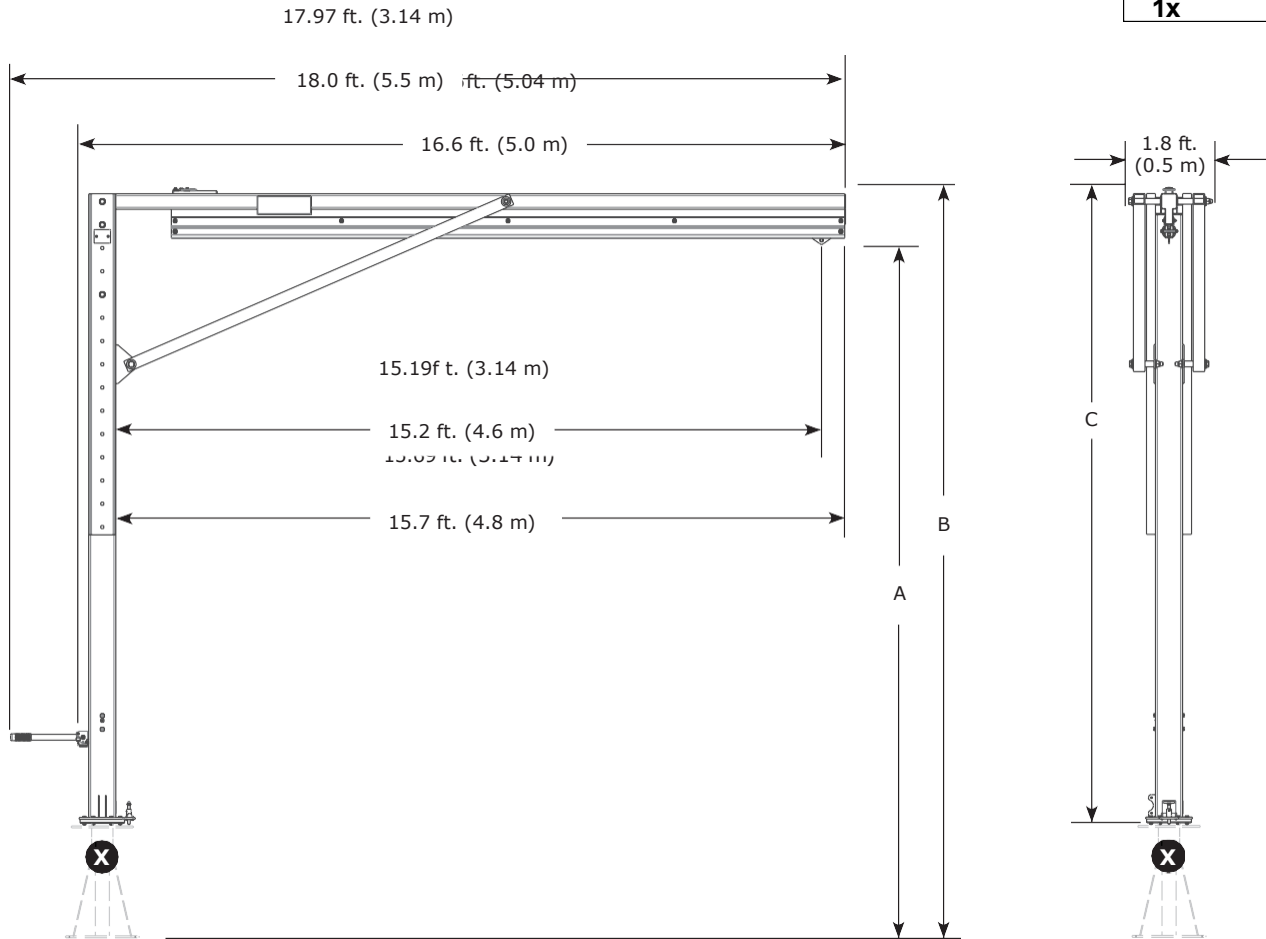


≤ 1350 lb.
(6 kN)



≤ 310 lb.
(140 kg)

1x

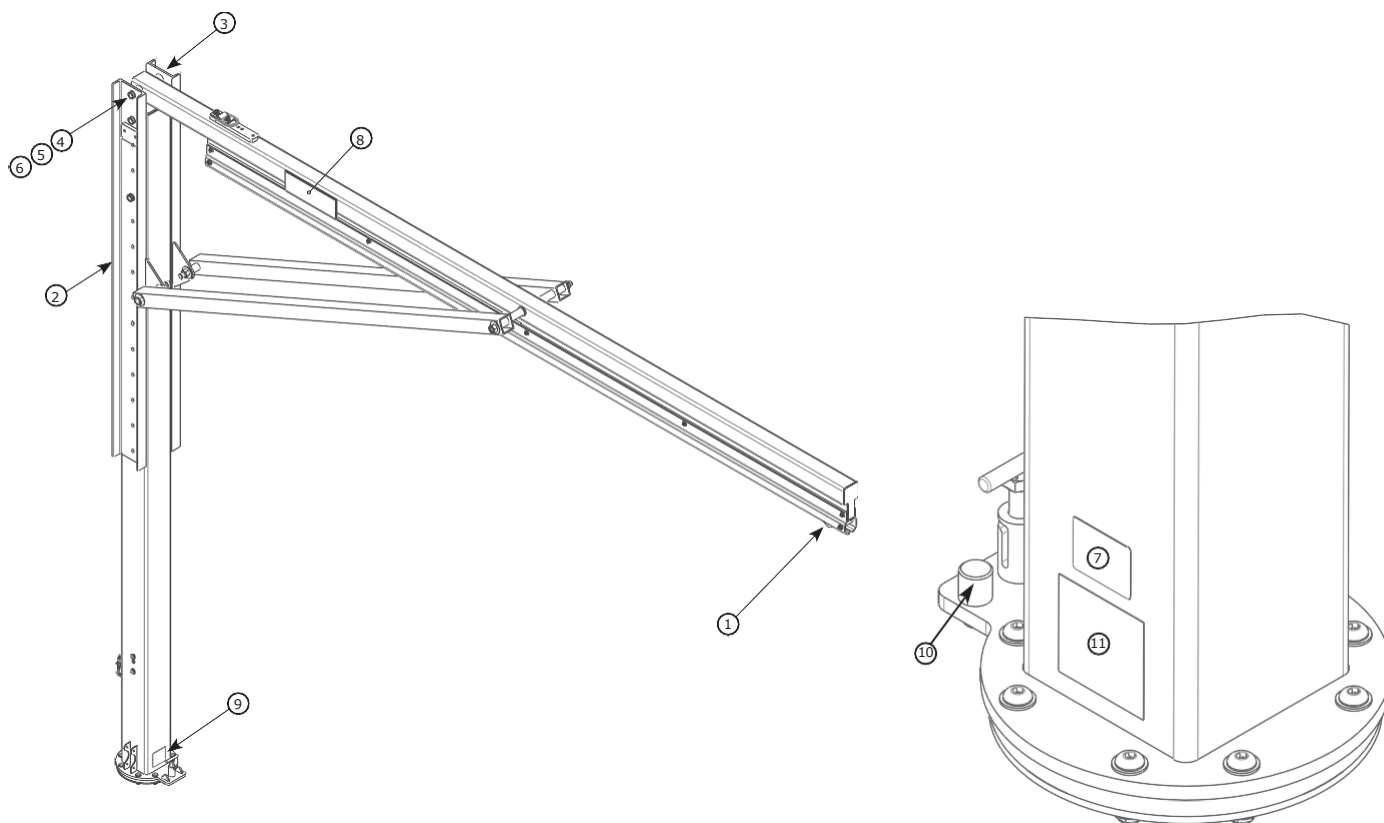


	A	B	C	lb. (kg)
8530899	15.0 ft. – 20.0 ft. (4.6 m – 6.1 m)	16.1 ft. – 21.1 ft. (4.9 m – 6.4 m)	13.7 ft. – 18.7 ft. (4.2 m – 5.7 m)	818 lb. (371 kg)
8530900	20.0 ft. – 25.0 ft. (6.1 m – 7.6 m)	21.1 ft. – 26.1 ft. (6.4 m – 7.9 m)	18.7 ft. – 23.7 ft. (5.7 m – 7.2 m)	930 lb. (422 kg)
8530901	25.0 ft. – 30.0 ft. (7.6 m – 9.1 m)	26.1 ft. – 31.1 ft. (7.9 m – 9.6 m)	23.7 ft. – 28.7 ft. (7.2 m – 8.7 m)	1,041 lb. (472 kg)
+6" (152 mm) Incréments de réglage				

Composants du bras modulaire semi-fixe
FICHE TECHNIQUE: 8530899-8530901



Fall Protection



	Numéro de pièce	Description	Matériau	Quantité
1	8521711	Chariot	Acier inoxydable, Acier, Nylon	1
2	8549933	Rail de montage de sauvetage	Acier	1
3	8550248	Rail	Acier	1
4	8526654	Boulon 3/4" x 9"	Acier	2
5	8522275	Rondelle 3/4"	Acier	4
6	8518276	Écrou 3/4"	Acier	2
7	9514429	Étiquette d'identification	Polyester	1

	Numéro de pièce	Description	Matériau	Quantité
8	9515111	Étiquette 3M	Polyester	2
9	9515101	Étiquette de rotation	Polyester	1
10	8550398	Butée de rotation	Aluminium	2
11	9515112	Étiquette utilisateur	Polyester	1

Bras modulaire réglable

FICHE TECHNIQUE: 8530895-8530898

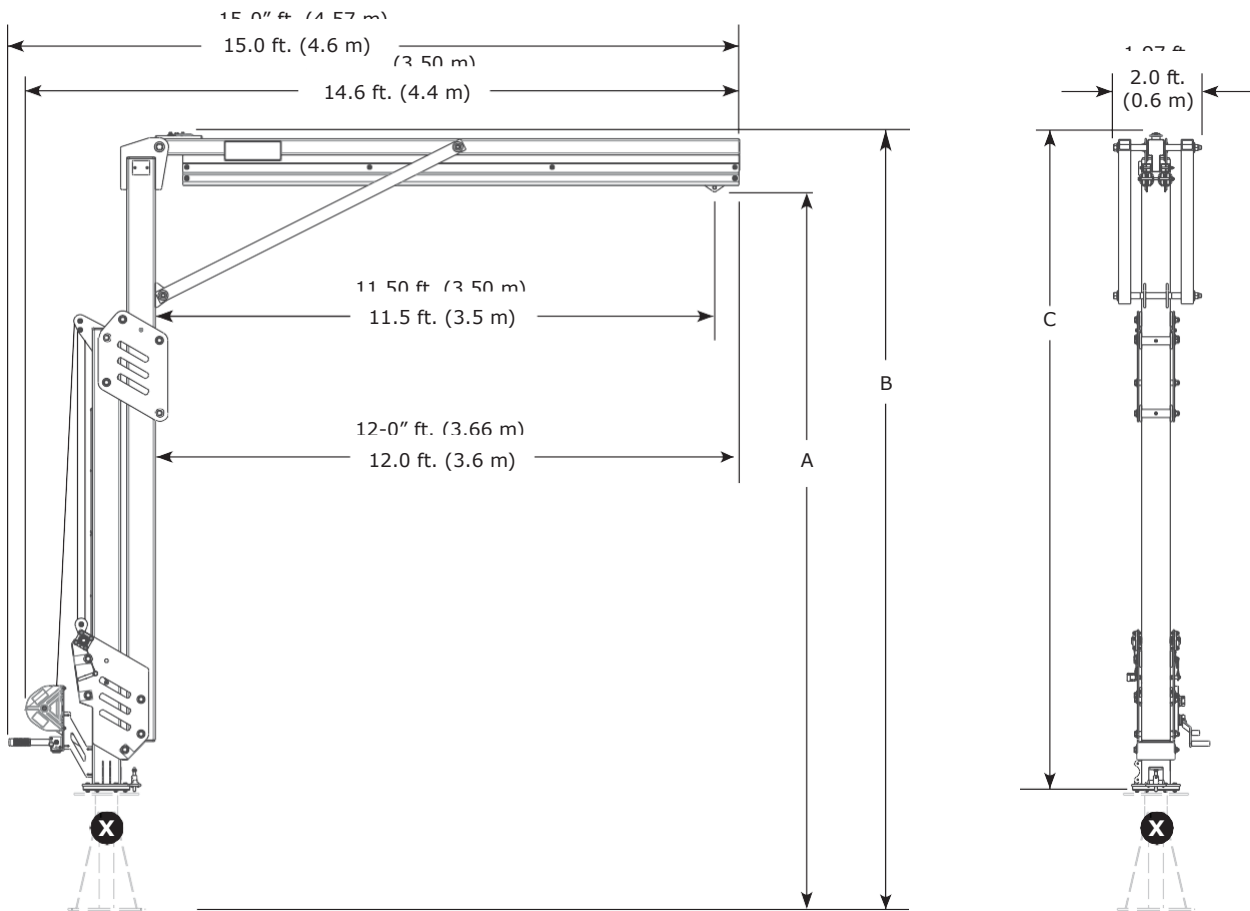
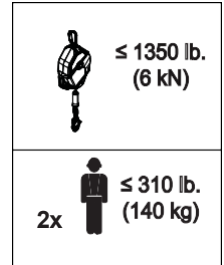


APPLICATION:

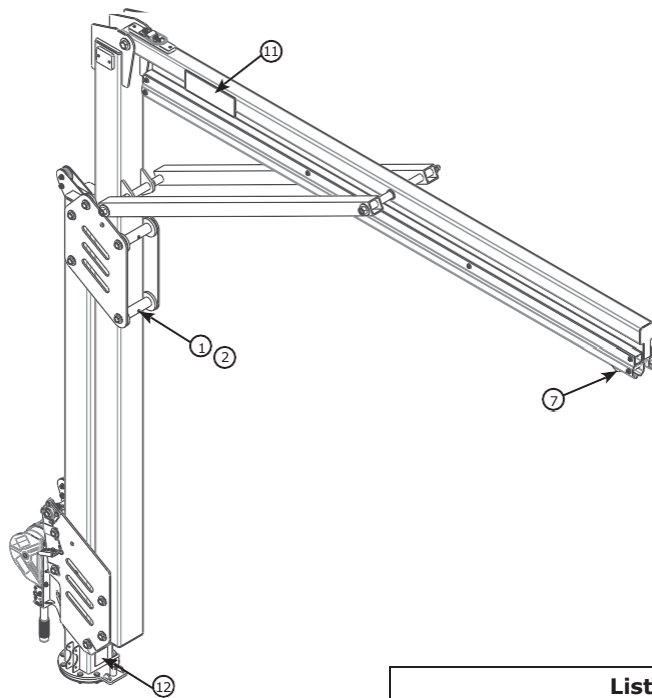
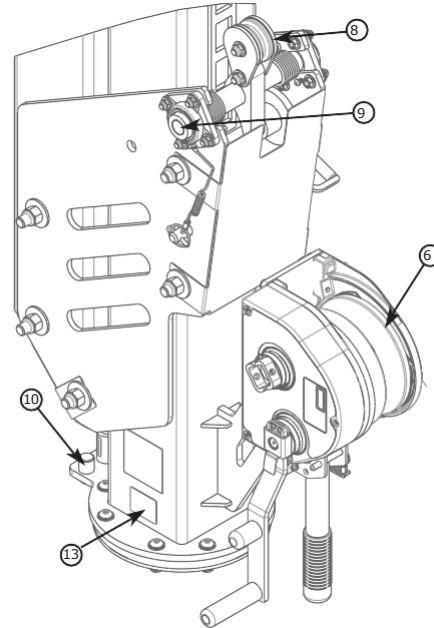
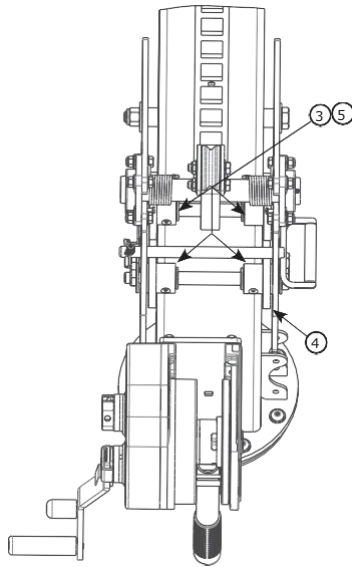
Le bras modulaire est conçu pour fournir des points de connexion d'ancrage pour un système de protection contre les chutes.

Pour plus d'informations sur l'installation du produit, consultez le manuel d'instructions 3M 5908372.

Normes : CEN/TS 16415:2013 Type E, EN795:2012 Type E, OSHA 1910.140, OSHA 1926.502.



	A	B	C	lb. (kg)
8530895	12.3 ft. – 15.0 ft. (3.8 m – 4.6 m)	13.4 ft. – 16.1 ft. (4.1 m – 4.9 m)	11.0 ft. – 13.7 ft. (3.4 m – 4.2 m)	1,011 lb. (459 kg)
8530896	14.8 ft. – 20.0 ft. (4.5 m – 6.1 m)	15.9 ft. – 21.1 ft. (4.8 m – 6.4 m)	13.5 ft. – 18.7 ft. (4.1 m – 5.7 m)	1,123 lb. (509 kg)
8530897	17.3 ft. – 25.0 ft. (5.3 m – 7.6 m)	18.4 ft. – 26.1 ft. (5.6 m – 8.0 m)	16.0 – 23.7 ft. (4.9 m – 7.2 m)	1,235 lb. (560 kg)
8530898	19.8 ft. – 30.0 ft. (6.0 m – 9.1 m)	20.9 ft. – 31.1 ft. (6.4 m – 9.5 m)	18.5 ft. – 28.7 ft. (5.6 m – 8.7 m)	1,343 lb. (609 kg)



Liste des composants				
	Numéro de pièce	Description	Matériau	Quantité
1	8550046	Rouleau large	Nylon	4
2	8550047	Entretoise de rouleau large	Acier inoxydable 304	4
3	8550327	Rouleau étroit	Nylon	4
4	9514703	Rouleau latéral	Nylon	12
5	8550213	Entretoise de rouleau étroit	Acier inoxydable 304	4
6	8549930	Treuil	Acier	1
7	8521711	Chariot	Acier, Nylon	1

Liste des composants				
	Numéro de pièce	Description	Matériau	Quantité
8	8550223	Mécanisme de verrouillage (réparation autorisée uniquement)	Acier, Nylon	1
9	9515138	Roulements	Acier	2
10	8550398	Butée de rotation	Aluminium	2
11	9515111	Étiquette 3M	Polyester	2
12	9515101	Étiquette de rotation	Polyester	1
13	9514429	Étiquette d'identification	Polyester	1
14	9515112	Étiquette utilisateur	Polyester	1

Bras modulaire semi-fixe

FICHE TECHNIQUE: 8530902-8530904

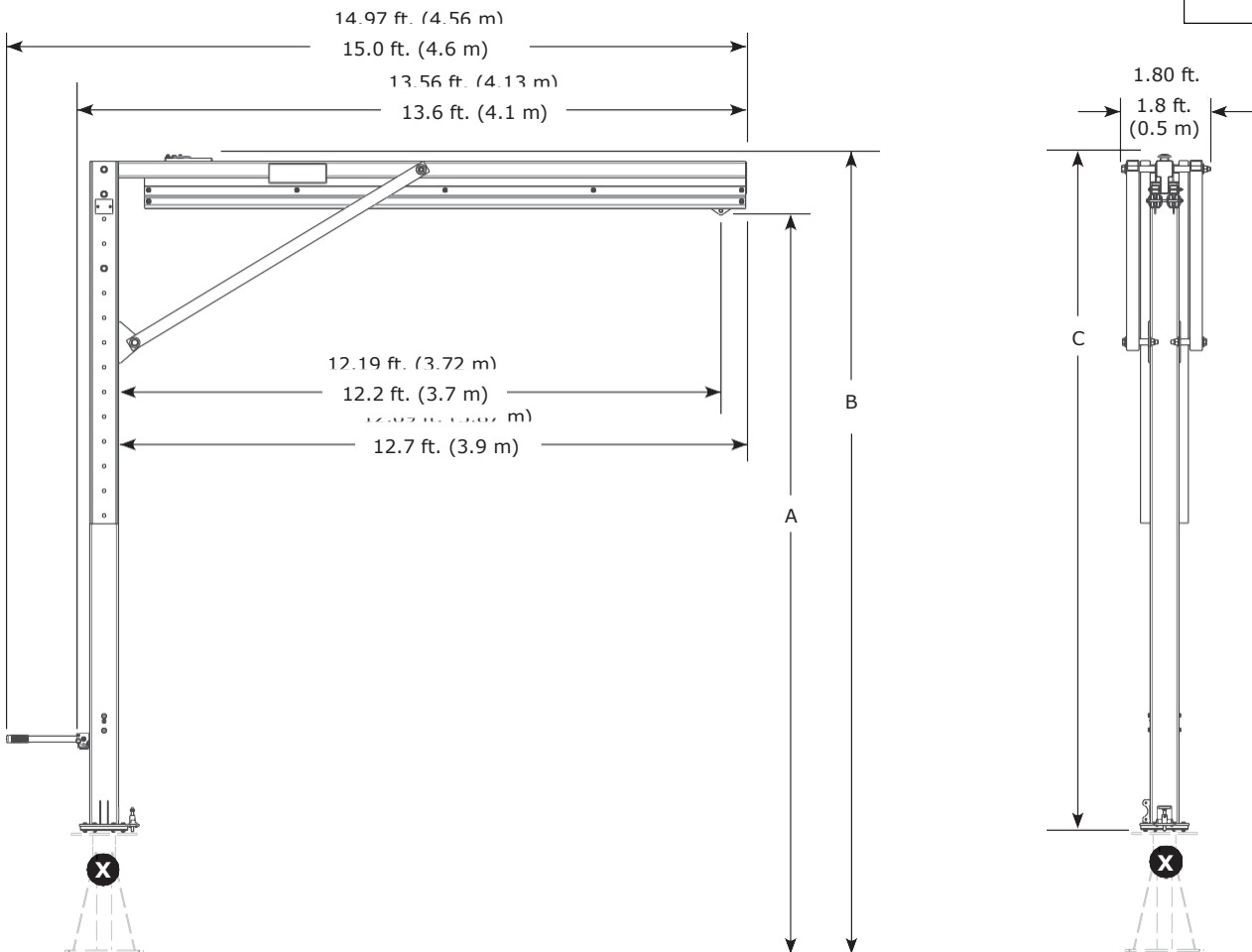
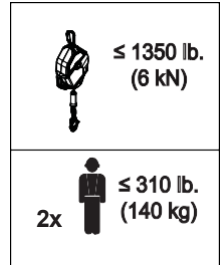


APPLICATION:

Le bras modulaire est conçu pour fournir des points de connexion d'ancrage pour un système de protection contre les chutes.

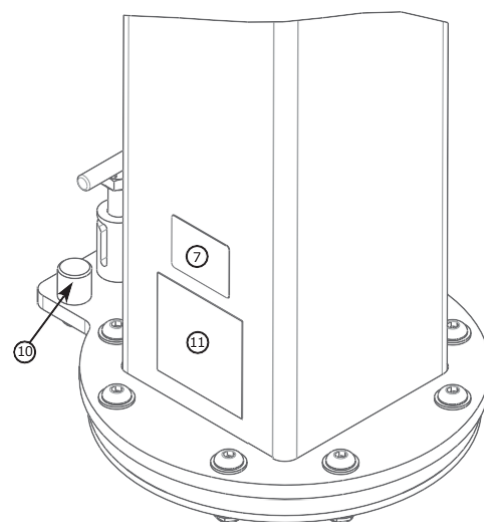
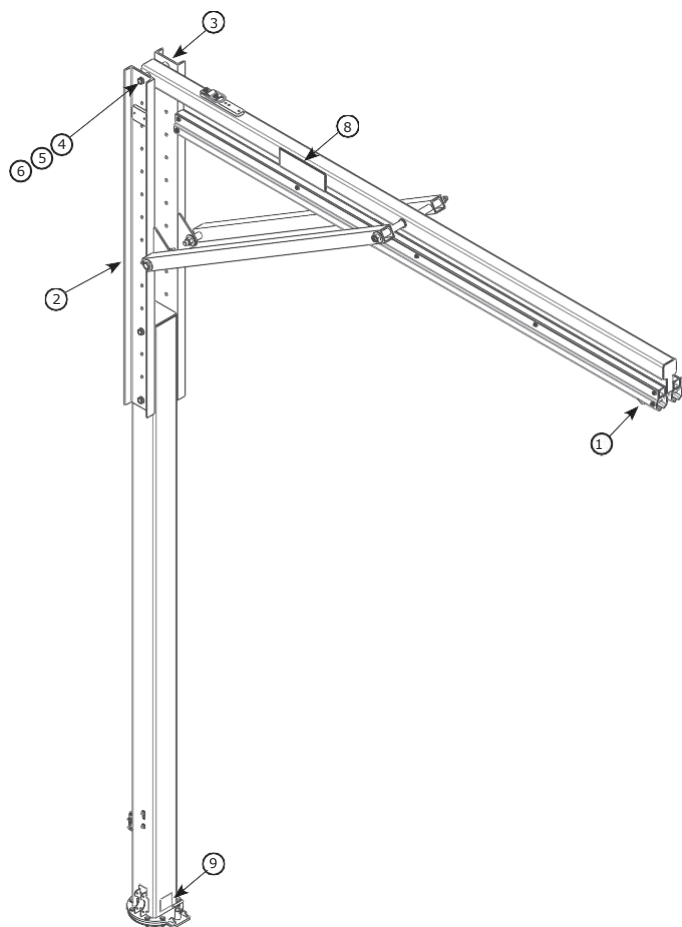
Pour plus d'informations sur l'installation du produit, consultez le manuel d'instructions 3M 5908372.

Normes : CEN/TS 16415:2013 Type E, EN795:2012 Type E, OSHA 1910.140, OSHA 1926.502.



	A	B	C	lb. (kg)
8530902	15.0 ft. – 20.0 ft. (4.6 m – 6.1 m)	16.1 ft. – 21.1 ft. (4.9 m – 6.4 m)	13.7 ft. – 18.7 ft. (4.2 m – 5.7 m)	850 lb. (386 kg)
8530903	20.0 ft. – 25.0 ft. (6.1 m – 7.6 m)	21.1 ft. – 26.1 ft. (6.4 m – 7.9 m)	18.7 ft. – 23.7 ft. (5.7 m – 7.2 m)	961 lb. (436 kg)
8530904	25.0 ft. – 30.0 ft. (7.6 m – 9.1 m)	26.1 ft. – 31.1 ft. (7.9 m – 9.6 m)	23.7 ft. – 28.7 ft. (7.2 m – 8.7 m)	1,073 lb. (487 kg)

Composants du bras modulaire semi-fixe
FICHE TECHNIQUE: 8530902-8530904



	Numéro de pièce	Description	Matériau	Quantité
1	8521711	Chariot	Acier inoxydable, Acier, Nylon	1
2	8549933	Rail de montage de sauvetage	Acier	1
3	8550248	Rail	Acier	1
4	8526654	Boulon 3/4" x 9"	Acier	2
5	8522275	Rondelle 3/4"	Acier	4
6	8518276	Écrou 3/4"	Acier	2
7	9514429	Étiquette d'identification	Polyester	1

	Numéro de pièce	Description	Matériau	Quantité
8	9515111	Étiquette 3M	Polyester	2
9	9515101	Étiquette de rotation	Polyester	1
10	8550398	Butée de rotation	Aluminium	2
11	9515112	Étiquette utilisateur	Polyester	1

Base de contrepoids M200

FICHE TECHNIQUE: 8530886, 8530887



APPLICATION:

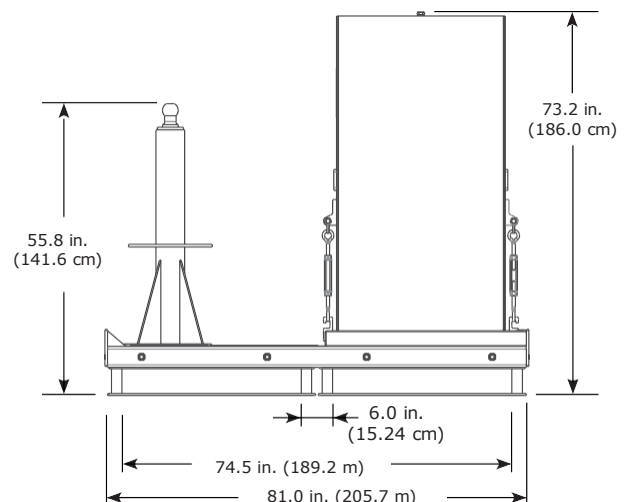
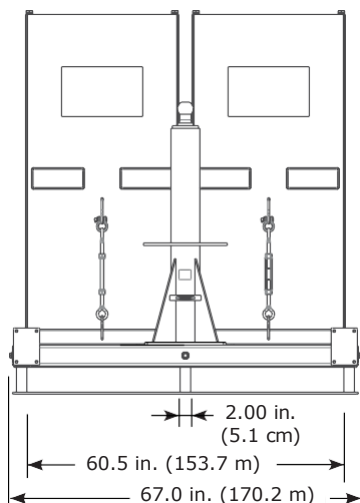
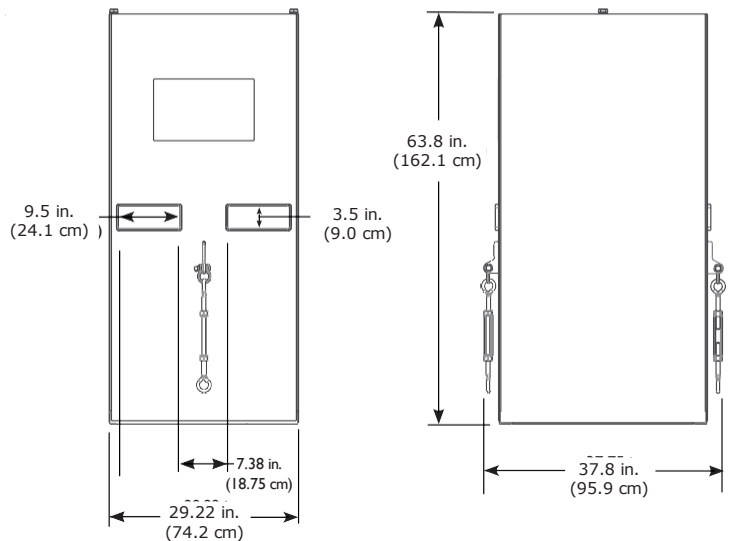
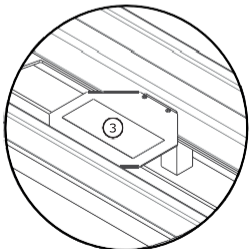
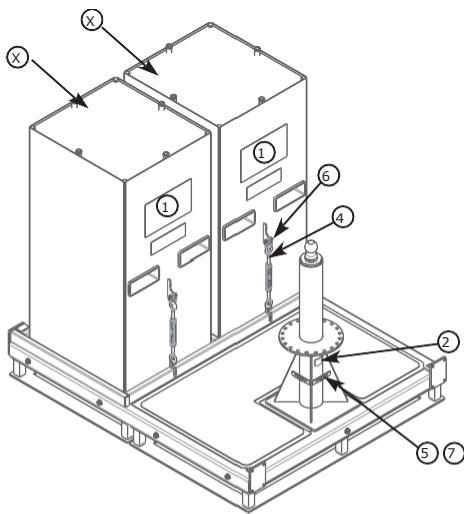
La base de contrepoids est conçue pour être remplie de béton et utilisée comme point de montage pour le système bras modulaire 3M™ DBI-SALA® Flexiguard™.

Pour plus d'informations sur l'installation du produit, consultez le manuel d'instructions 3M 5908374.

Normes : CEN/TS 16415:2013 Type E, EN795:2012 Type E, OSHA 1910.140, OSHA 1926.502.

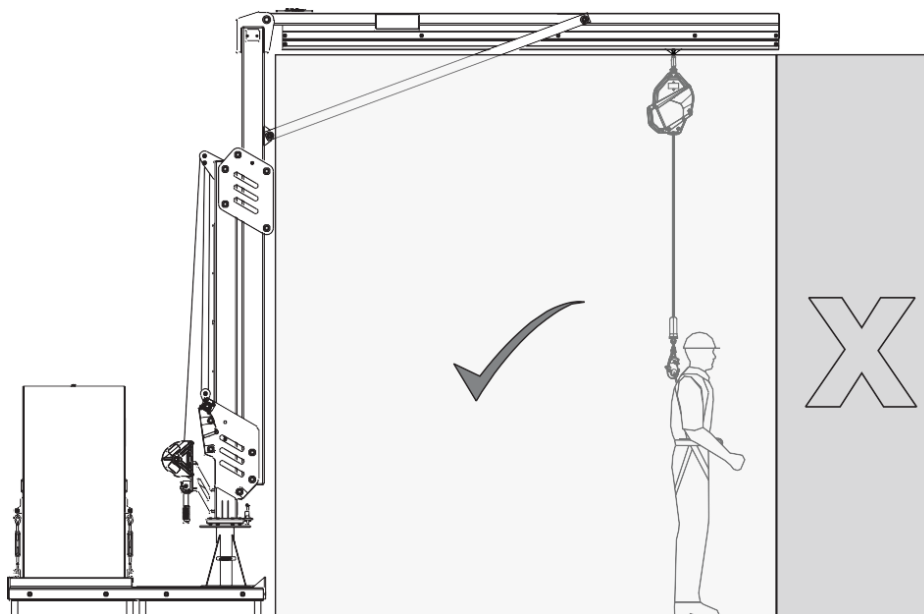
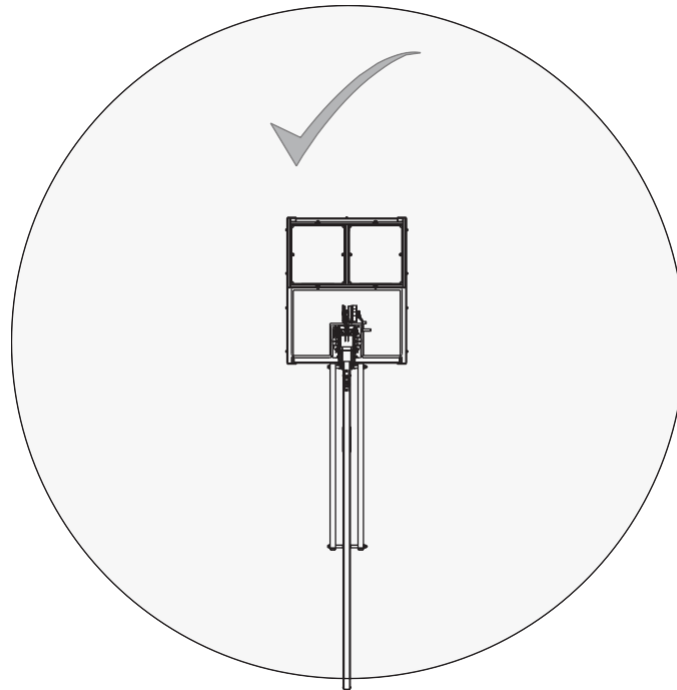
	X 4,000 psi (30 MPa)	Exigences de structure de repos	Poids net
8530886		14,645 lb. (6,643 kg)	2,407 lb. (1,092 kg)
8530887	✓	+ Poids de la flèche M200	11,325 lb. (5,137 kg)

Liste des composants				
	Numéro de pièce	Description	Matériau	Quantité
1	9515107	Étiquette utilisateur	Polyester	1
2	9514429	Étiquette d'identification	Polyester	1
3	9515106	Étiquette d'avertissement	Polyester	1
4	8520575	Tendeur	Acier	2
5	9513627	Vis #4	Acier	4
6	9501794	Manille	Acier	2
7	9515058	Niveau à bulle	Plastique	2
8	9515566	Étiquette d'avertissement	Polyester	4



APPLICATION:

Veillez vous référer au diagramme ci-dessous pour la zone de travail du produit.



Accessoires de la base de contrepoids M200

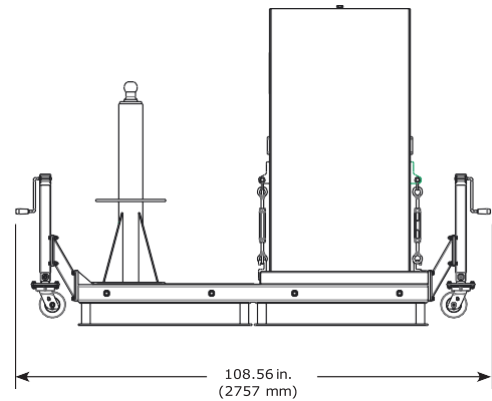
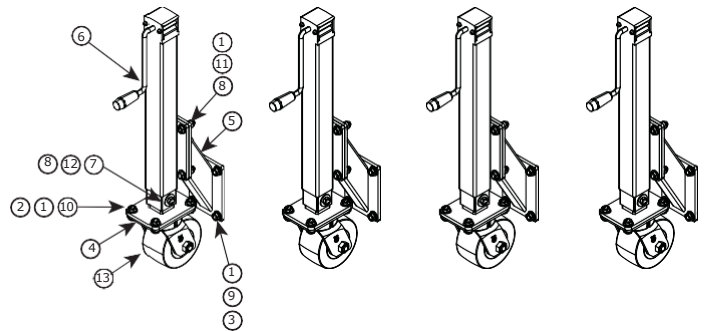
FICHE TECHNIQUE: 8530907, 8530908, 8530777



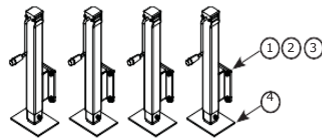
Fall Protection

Poids	
8530908	152 lb. (69 kg)

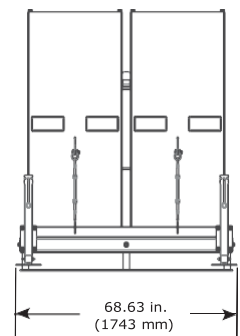
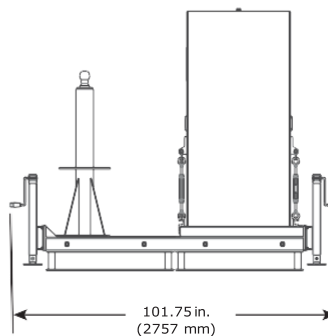
Liste des composants				
	Numéro de pièce	Description	Matériau	Quantité
1	8510037	Rondelle 1/2"	Acier	80
2	8512460	Boulon 1/2" x 1 1/4"	Acier	16
3	8518432	Boulon 1/2" x 1"	Acier	16
4	8550153	Assemblage de roue	Acier	4
5	8550155	Assemblage incliné	Acier	4
6	8550156	Assemblage monté	Acier	4
7	9501243	Rondelle 1/2"	Acier	8
8	9501831	Écrou hexagonal 1/2"	Acier	20
9	9504221	Rondelle 1/2"	Acier	16
10	9504813	Écrou hexagonal 1/2"	Acier	16
11	9509276	Boulon 1/2" x 1 3/4"	Acier	16
12	9510153	Boulon 1/2" x 3 1/4"	Acier	4
13	9515081	Roue pivotante	Acier, Uréthane	4



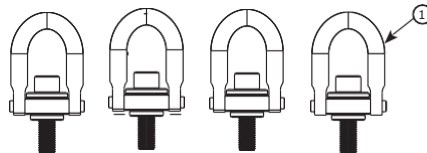
Poids	
8530907	108 lb. (49 kg)



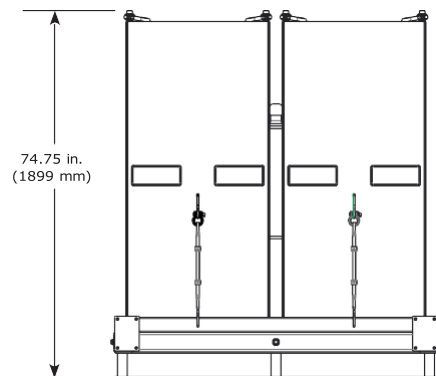
	Numéro de pièce	Description	Matériau	Quantité
①	9504221	Rondelle de blocage 1/2"	Acier	16
②	8510037	Rondelle 1/2"	Acier	16
③	8518432	Boulon 1/2" x 1"	Acier	16
④	8550177	Assemblage de roue	Acier	4



Poids	
8530777	12 lb. (5.4 kg)




Liste des composants				
	Numéro de pièce	Description	Matériau	Quantité
①	9512574	Anneau de levage	Acier	4

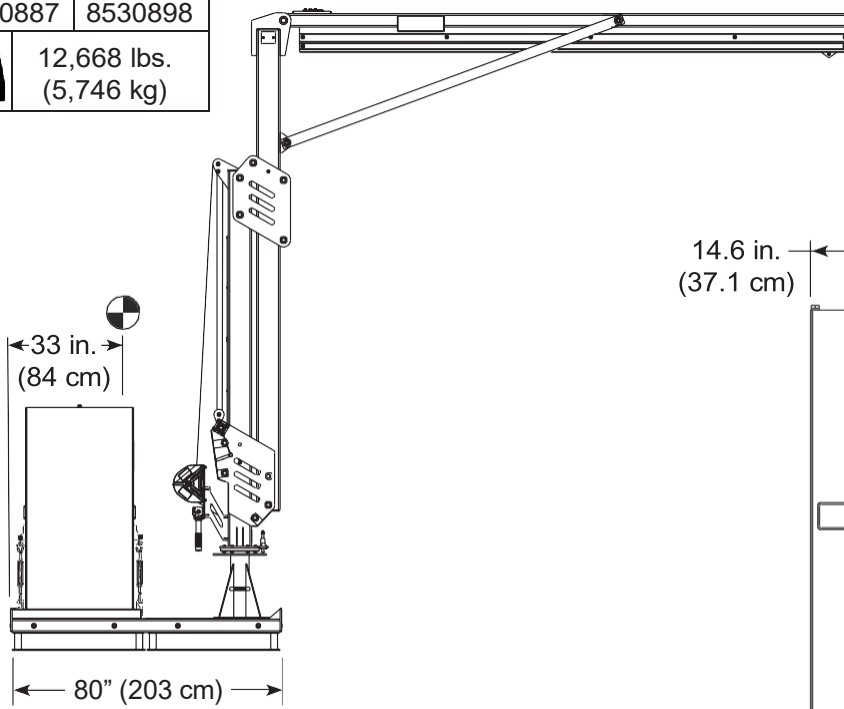



Centre de gravité de la base de contrepoids M200
FICHE TECHNIQUE: 8530886, 8530887

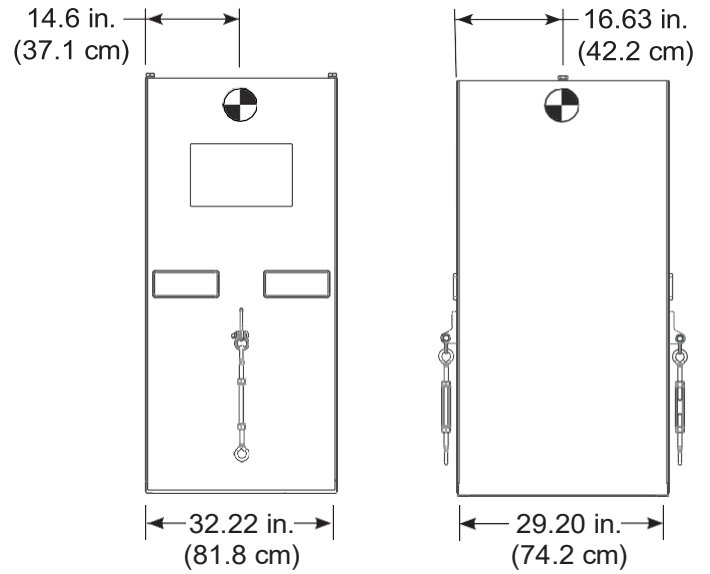


8530887	8530898
---------	---------


 12,668 lbs. (5,746 kg)

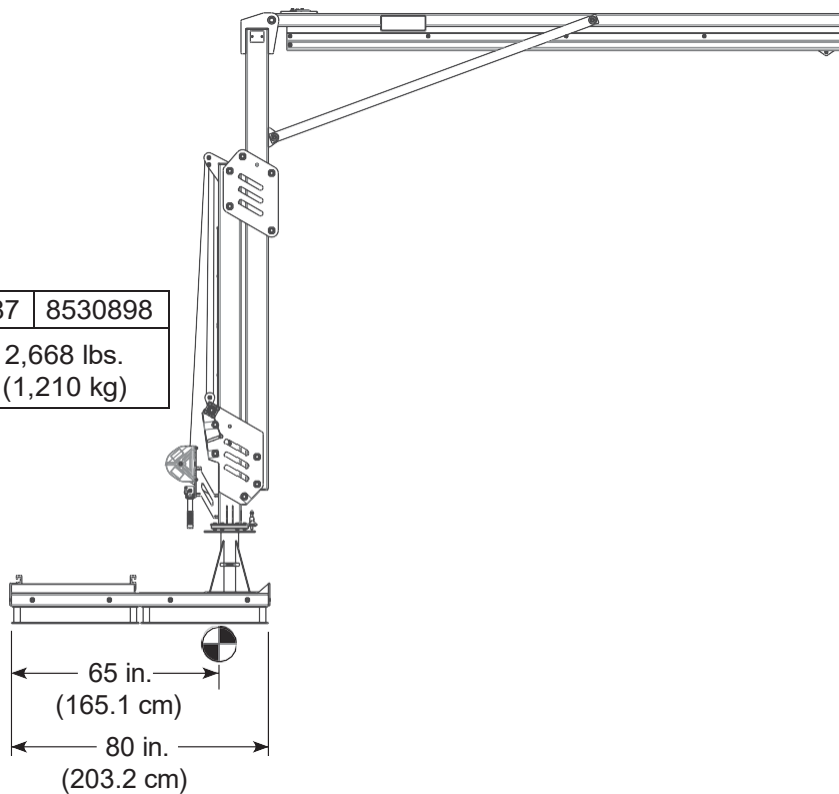


 5,000 lbs. (2,268 kg)
--




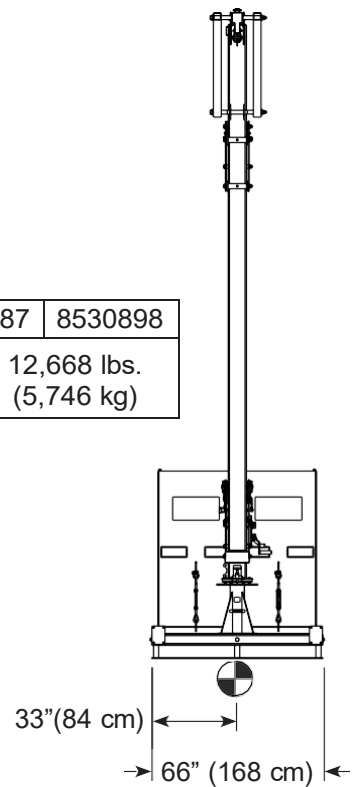
8530887	8530898
---------	---------

 2,668 lbs. (1,210 kg)



8530887	8530898
---------	---------

 12,668 lbs. (5,746 kg)



Base de montage au sol M200

FICHE TECHNIQUE: 8530888



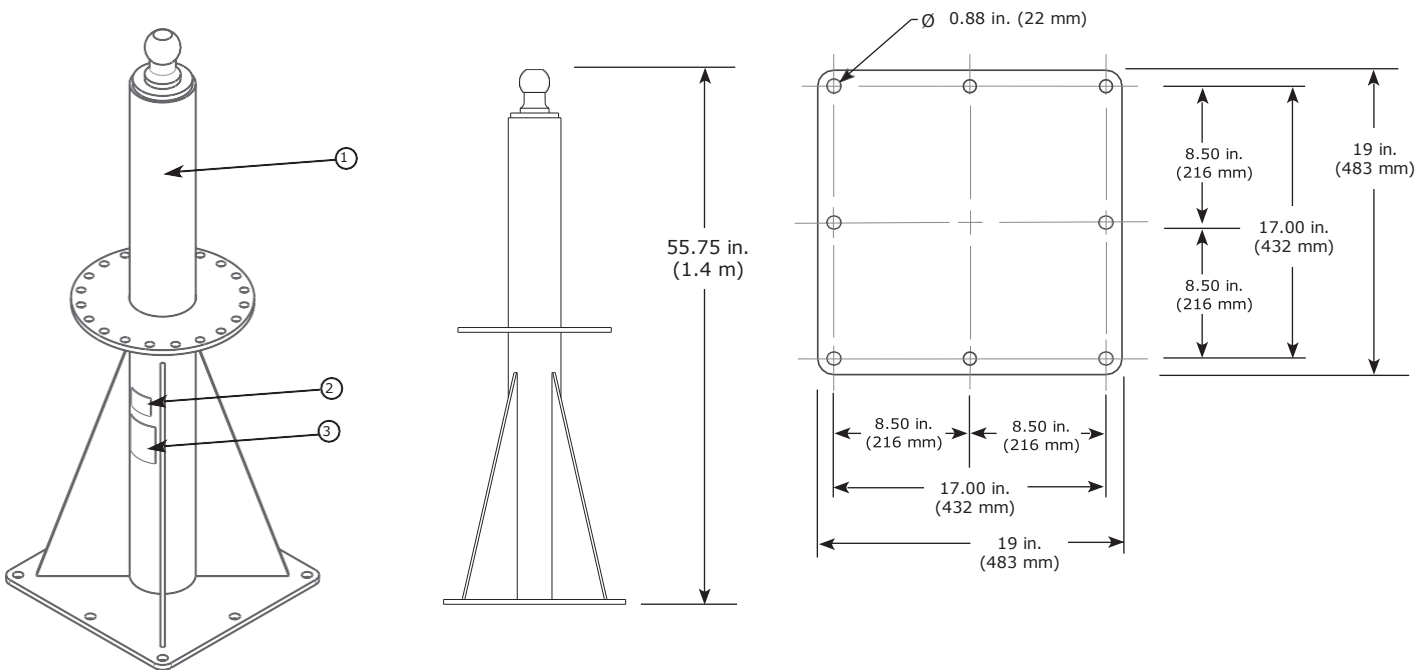
APPLICATION:

La base de montage au sol est conçue pour être ancrée à des structures approuvées et utilisée comme point de montage pour le système de flèche modulaire approuvé par 3M.

Pour plus d'informations sur l'installation du produit, consultez le manuel d'instructions 3M 5908375.

Normes : CEN/TS 16415:2013 Type A, EN795:2012 Type A, OSHA 1910.140, OSHA 1926.502.

	Poids net
8530888	265 lb. (120 kg)



Liste des composants				
	Numéro de pièce	Description	Matériau	Quantité
①	8549921	Assemblage de base	Acier	1
②	9514429	Étiquette d'identification	Polyester	1
③	9515114	Étiquette utilisateur	Polyester	1

Exigences de montage à l'état limite ultime		
Force minimale d'arrachement par fixation	Moment minimal sur le centre de la base au niveau sol	Charge verticale minimale de la structure de montage
9386 lb. (4257 kg)	501633 in-lb. (56677 N-m)	3320 lb. (1506 kg)+ Poids de la base + Poids de la flèche M200

Base de montage encastrée M200

FICHE TECHNIQUE: 8530889, 8530920, 8530921



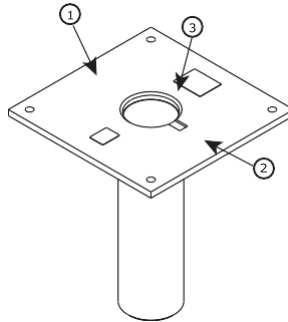
APPLICATION:

La base de montage encastrée est conçue pour être ancrée à des structures approuvées et utilisée comme point de montage pour le système de flèche modulaire approuvé par 3M.

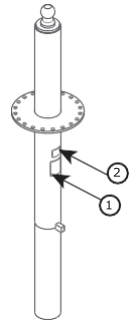
Pour plus d'informations sur l'installation du produit, consultez le manuel d'instructions 3M 5908375.

Normes : CEN/TS 16415:2013, EN795:2012 Type A, OSHA 1910.140, OSHA 1926.502.

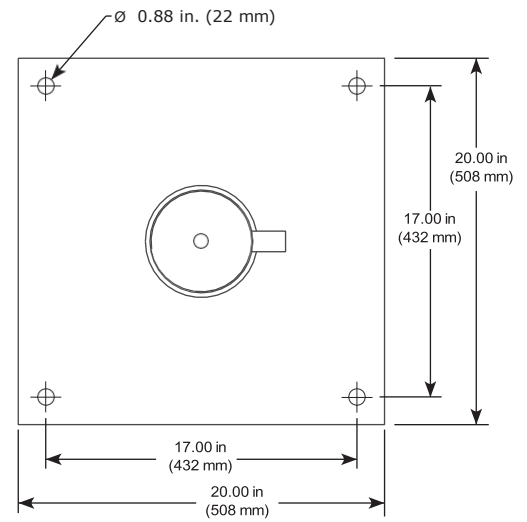
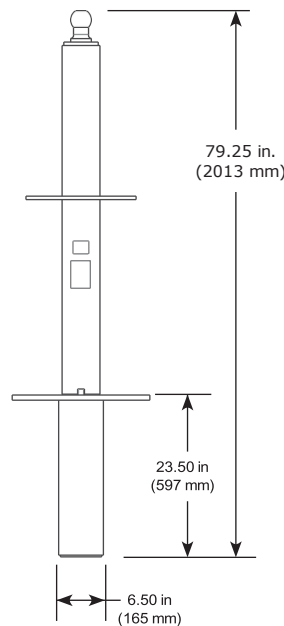
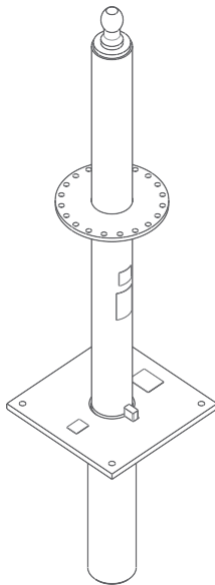
Poids net	
8530920	140 lb. (64 kg)



Poids net	
8530921	237 lb. (107 kg)



Poids net	
8530889	377 lb. (171 kg)

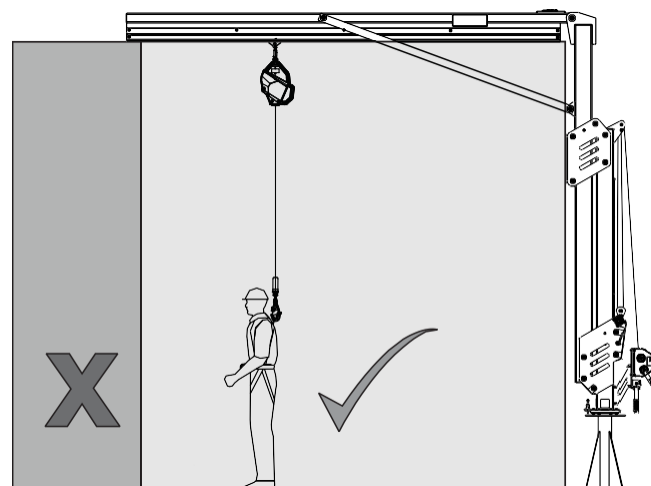
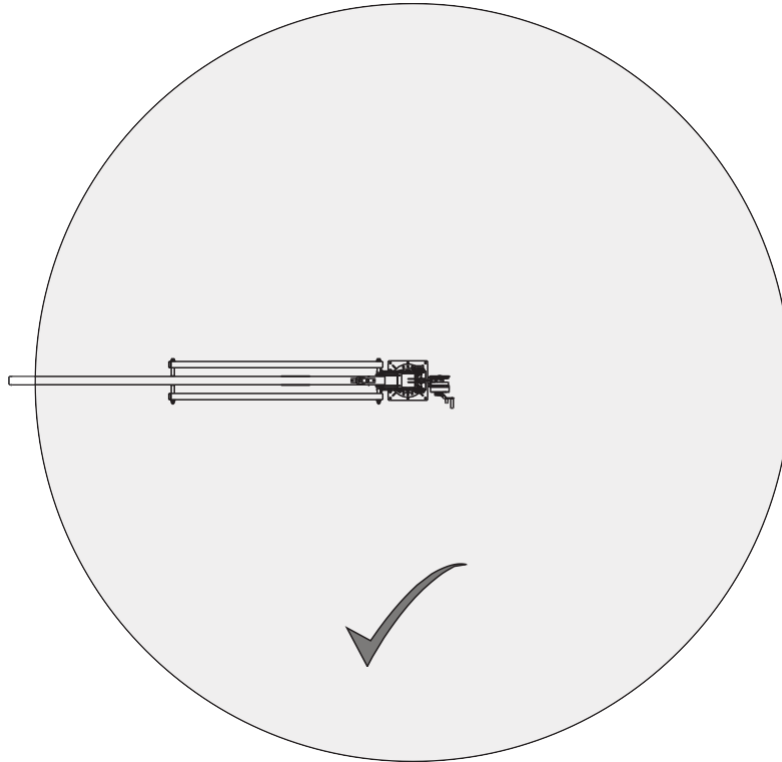


Liste des composants				
	Numéro de pièce	Description	Matériau	Quantité
①	9515114	Étiquette utilisateur	Polyester	1
②	9514429	Étiquette d'identification	Polyester	1
③	8550165	Capuchon de base	Aluminium, Caoutchouc	1

Exigences de montage à l'état limite ultime	
Moment minimal au centre de la base au niveau du sol	Charge verticale minimale de la structure de montage
501633 in-lb. (56677 N-m)	3320 lb. (1506 kg) + Poids de la base + Poids du bras M200

APPLICATION:

Veillez vous référer au diagramme ci-dessous pour la zone de travail du produit.



Kit fourches pour chariot élévateur

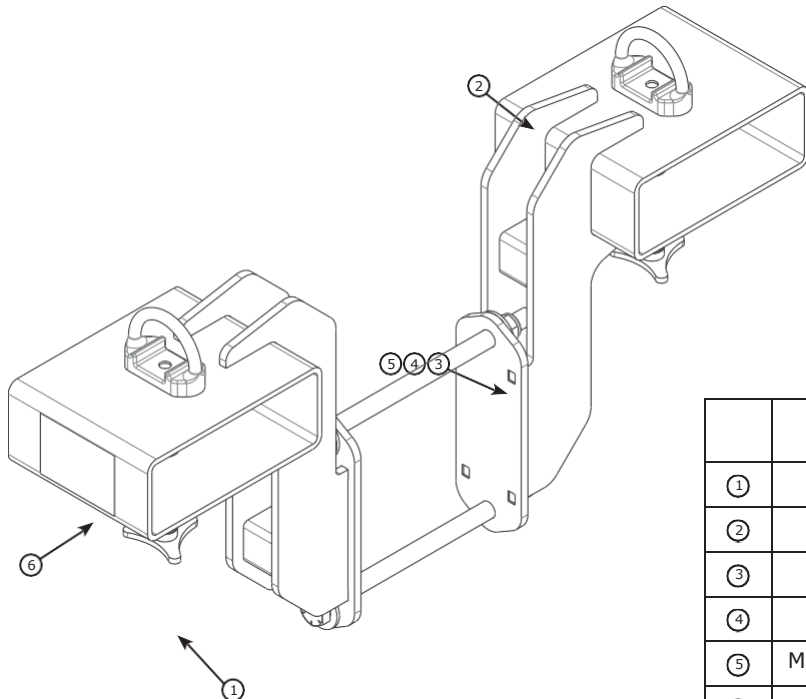
FICHE TECHNIQUE: 8530912



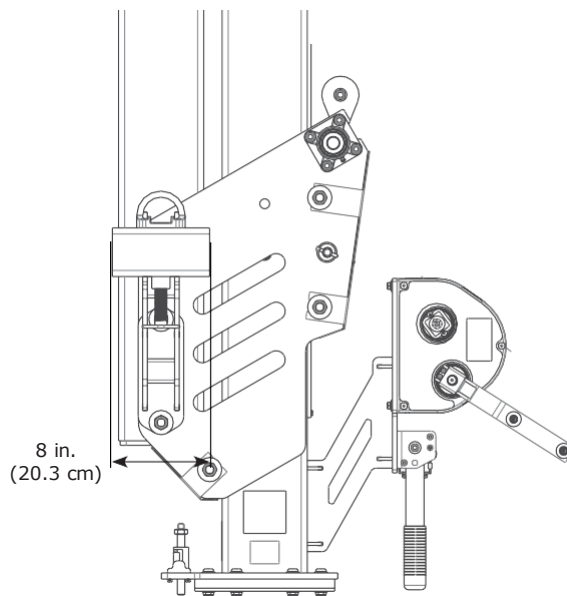
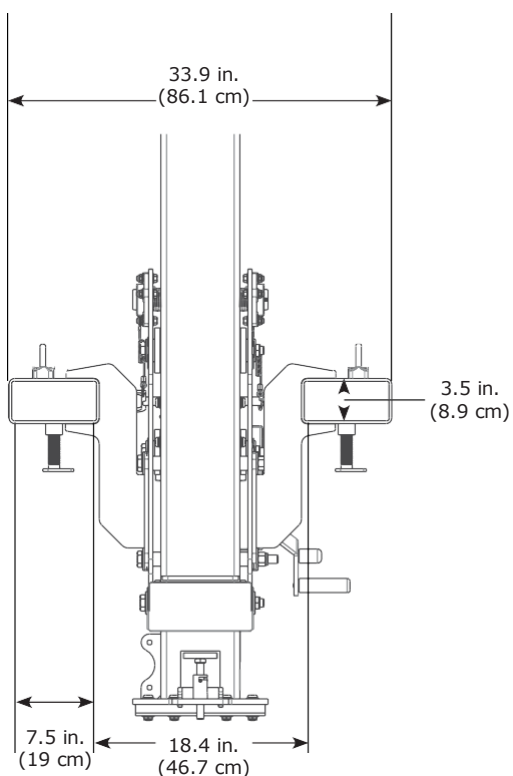
APPLICATION:

Ce modèle de Kit fourches pour chariot élévateur est conçu pour transporter les modèles de potence à treuil **8530891-8530898**.

Pour plus d'informations sur l'installation des composants, consultez le manuel d'instructions 3M 5908372.



	Numéro de pièce	Description	Quantité
①	8550127	Vis triple	2
②	8549905	Ensemble kit fourches	2
③	8518276	Écrou hexagonal 3/4"	2
④	9512004	Boulon 3/4" x 12"	2
⑤	M970033018	Rondelle 3/4"	4
⑥	9515122	Étiquette utilisateur	1
	9500146	Maillon de chaîne	2
	8517096	Chaîne	10 ft.



Kit fourche pour chariot élévateur

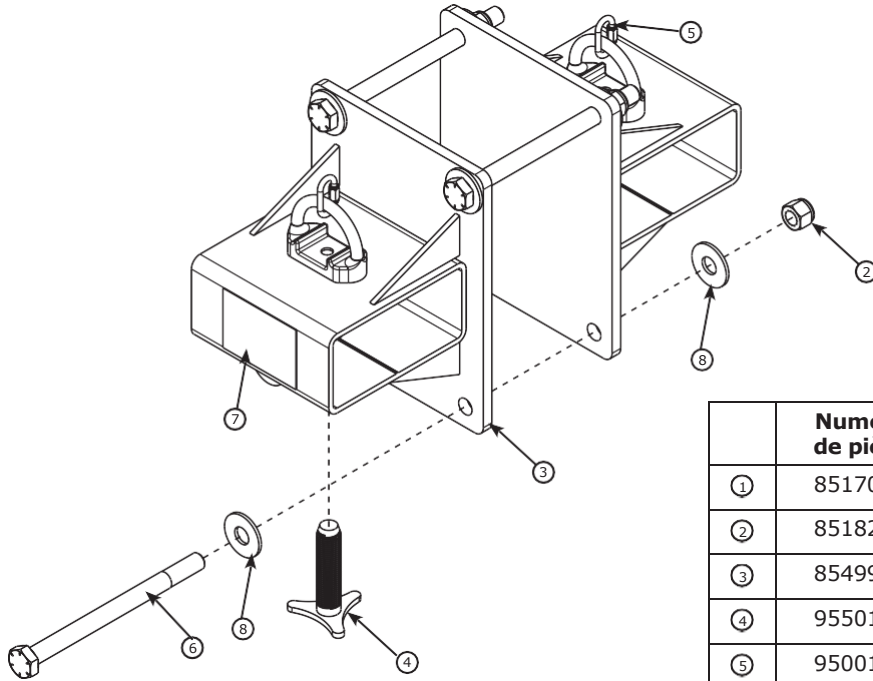
FICHE TECHNIQUE: 8530925



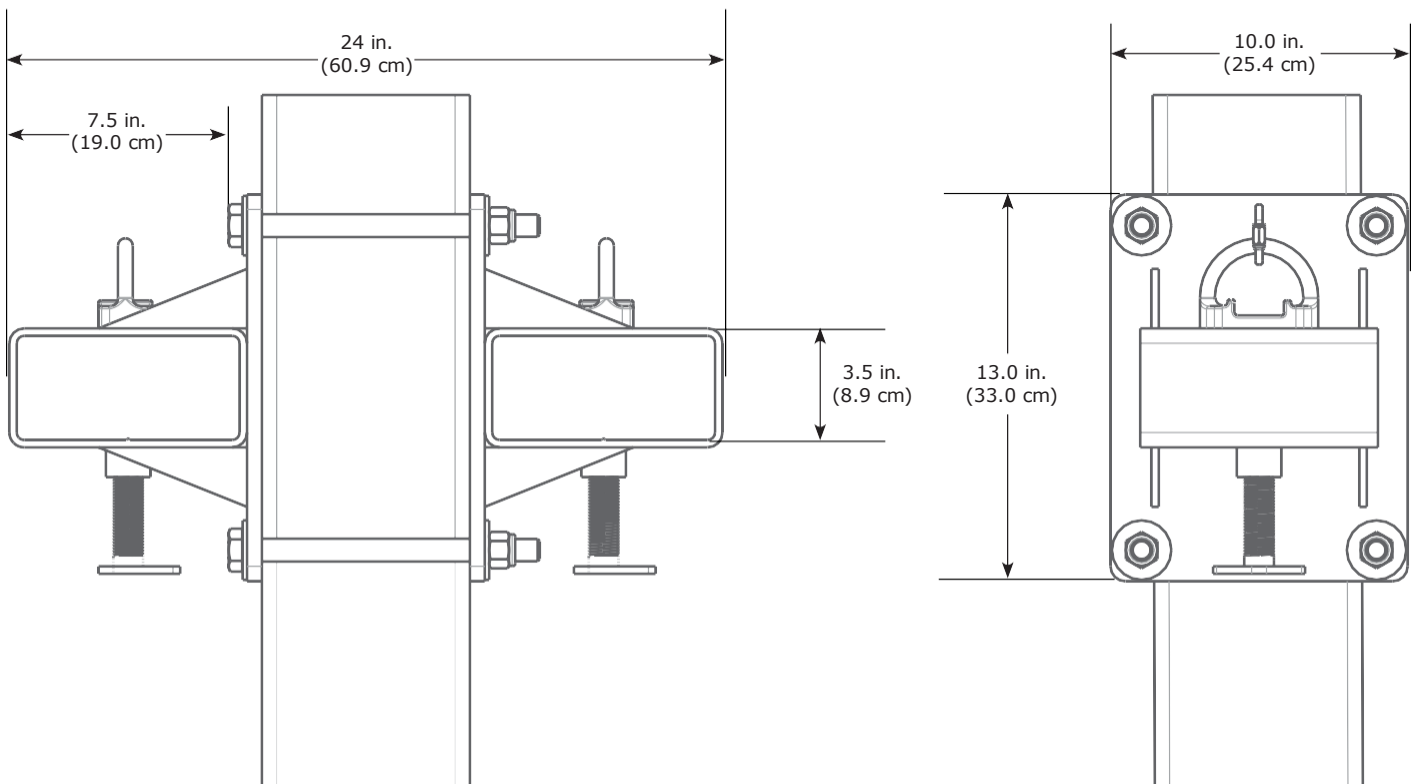
APPLICATION:

Ce modèle de Kit fourches pour chariot élévateur est conçu pour transporter la potence avec les modèles de rail de réglage **8530899-8530904**.

Pour plus d'informations sur l'installation des composants, consultez le manuel d'instructions 3M 5908372.



	Número de pièce	Description	Quantité
①	8517096	Chaîne (non montrée)	10 ft.
②	8518276	Écrou hexagonal 3/4"	4
③	8549938	Assemblage pour fourche	2
④	9550127	Assemblage de vis triple	2
⑤	9500146	Maillon rapide	2
⑥	9514294	Boulon à tête hexagonale 3/4"	4
⑦	9515573	Étiquette d'avertissement	1
⑧	M970033018	Rondelle 3/4"	8



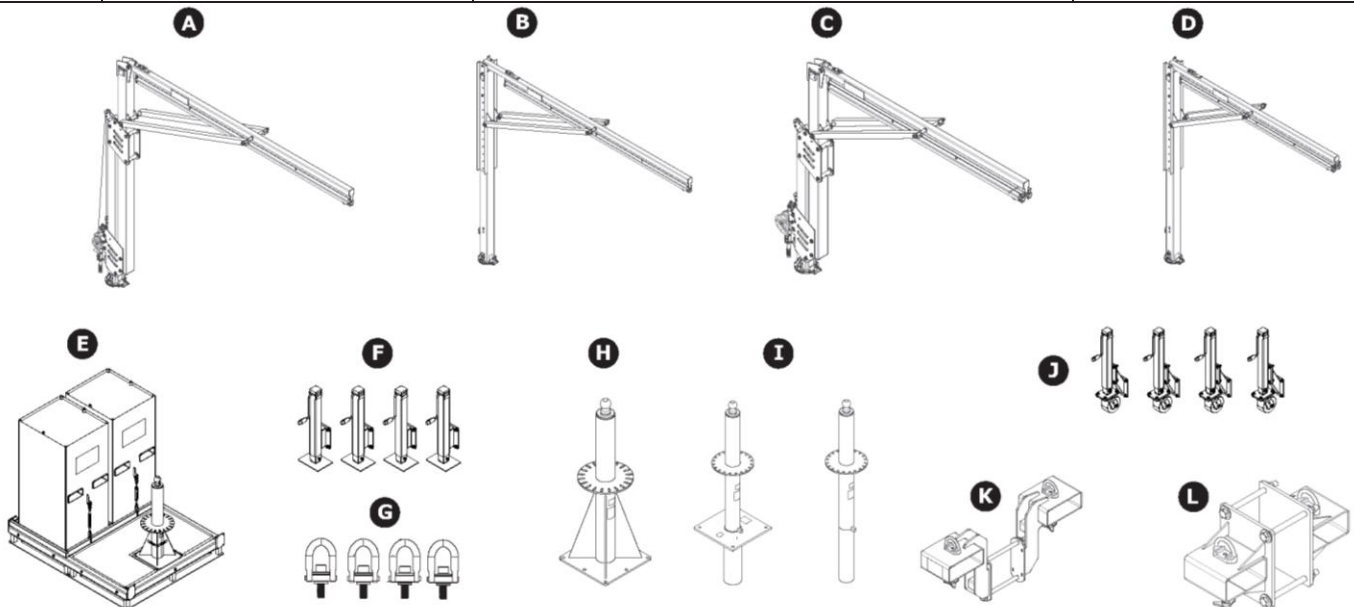


Fall Protection

3M^{MC} DBI-SALA[®]
Les systèmes de davier M200

Fiche technique du produit
5908526 Rev. D

Appel	Fiche technique	Description	Page
A	8530891	Davier ajustable 12,3 pi–15 pi (3,8 m–4,6 m)	182
	8530892	Davier ajustable 14,8 pi–20 pi (4,5 m–6,1 m)	182
	8530893	Davier ajustable 17,3 pi–25 pi (5,3 m–7,6 m)	182
	8530894	Davier ajustable 19,8 pi–30 pi (6,1 m–9,1 m)	182
B	8530899	Davier semi-fixe 15 pi–20 pi (4,6 m–6,1 m)	184
	8530900	Davier semi-fixe 20 pi–25 pi (6,1 m–7,6 m)	184
	8530901	Davier semi-fixe 25 pi–30 pi (7,6 m–9,1 m)	184
C	8530895	Davier ajustable 12,3 pi–15 pi (3,8 m–4,6 m)	186
	8530896	Davier ajustable 14,8 pi–20 pi (4,5 m–6,1 m)	186
	8530897	Davier ajustable 17,3 pi–25 pi (5,3 m–7,6 m)	186
	8530898	Davier ajustable 19,8 pi–30 pi (6,1 m–9,1 m)	186
D	8530902	Davier semi-fixe 15 pi–20 pi (4,6 m–6,1 m)	188
	8530903	Davier semi-fixe 20 pi–25 pi (6,1 m–7,6 m)	188
	8530904	Davier semi-fixe 25 pi–30 pi (7,6 m–9,1 m)	188
E	8530886	Base de contrepoids non remplie	190
	8530887	Base de contrepoids remplie	190
F	8530907	Vérins de base de contrepoids	192
G	8530777	Anneaux de levage de base de contrepoids	192
H	8530888	Base de montage au sol	194
I	8530889, 8530920, 8530921	Base de montage encastrée	195
J	8530908	Roues de base de contrepoids	192
K	8530912	Kit de poche pour fourche	197
L	8530925	Kit de poche pour fourche	198



Davier ajustable

FICHE TECHNIQUE: 8530891-8530894





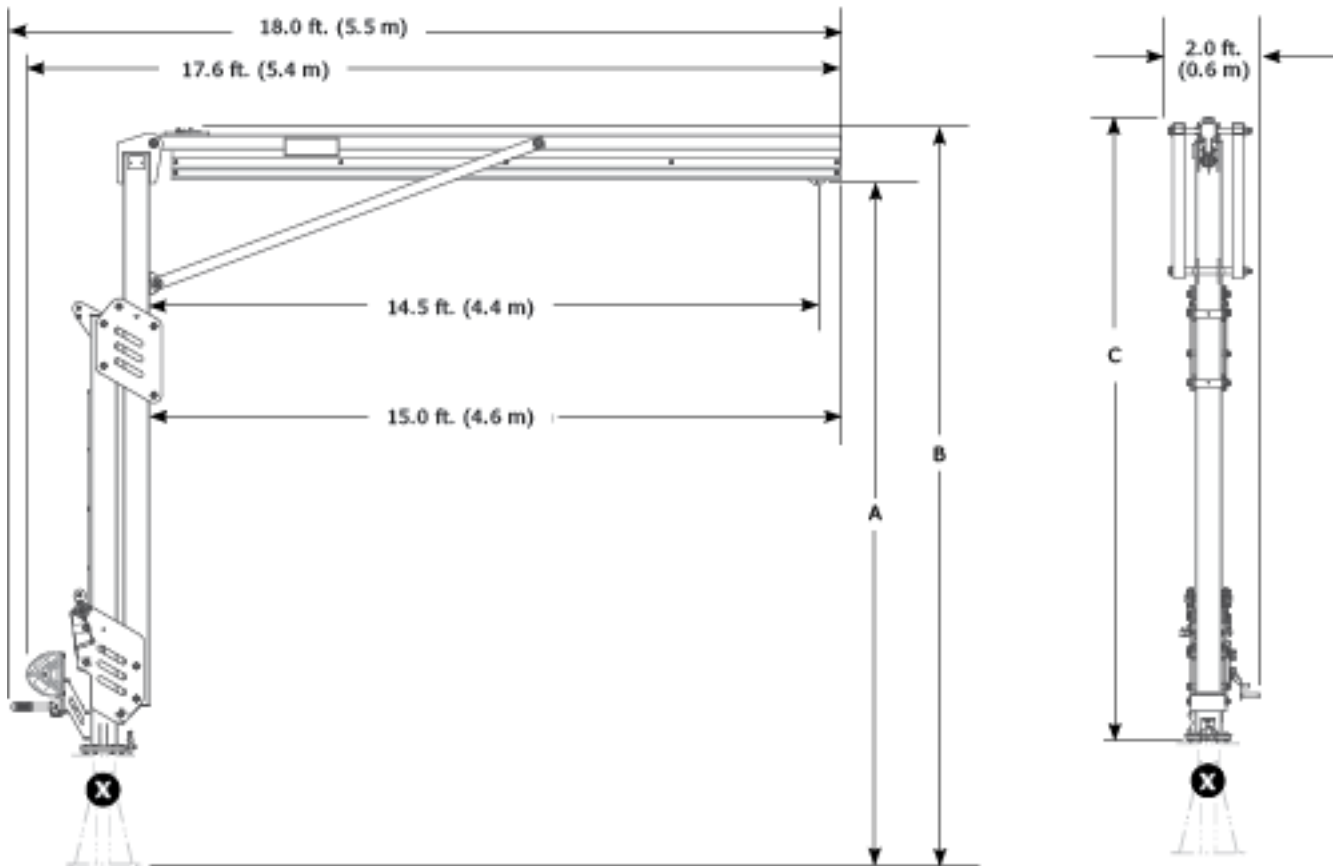
APPLICATION:

Le davier est conçu pour fournir des points de connexion d'ancrage pour un système de protection contre les chutes.

Pour plus d'informations sur l'installation du produit, veuillez consulter les instructions d'utilisation.

Normes : EN795:2012 Type E, OSHA 1910.140, OSHA 1926.502

	≤ 1350 lb. (6 kN)
	≤ 310 lb. (140 kg)
1x	



	A	B	C	lb. (kg)
8530891	12.3 ft. – 15.0 ft. (3.8 m – 4.6 m)	13.4 ft. – 16.1 ft. (4.1 m – 4.9 m)	9.8 ft. – 14.8 ft. (3.0 m – 4.5 ft.)	945 lb. (429 kg)
8530892	14.8 ft. – 20.0 ft. (4.5 m – 6.1 m)	15.9 ft. – 21.1 ft. (4.8 m – 6.4 m)	13.5 ft. – 18.7 ft. (4.1 m – 5.7 m)	1,057 lb. (479 kg)
8530893	17.3 ft. – 25.0 ft. (5.3 m – 7.6 m)	18.4 ft. – 26.1 ft. (5.6 m – 8.0 m)	16.0 – 23.7 ft. (4.9 m – 7.2 m)	1,169 lb. (530 kg)
8530894	19.8 ft. – 30.0 ft. (6.0 m – 9.1 m)	20.9 ft. – 31.1 ft. (6.4 m – 9.5 m)	18.5 ft. – 28.7 ft. (5.6 m – 8.7 m)	1,281 lb. (581 kg)

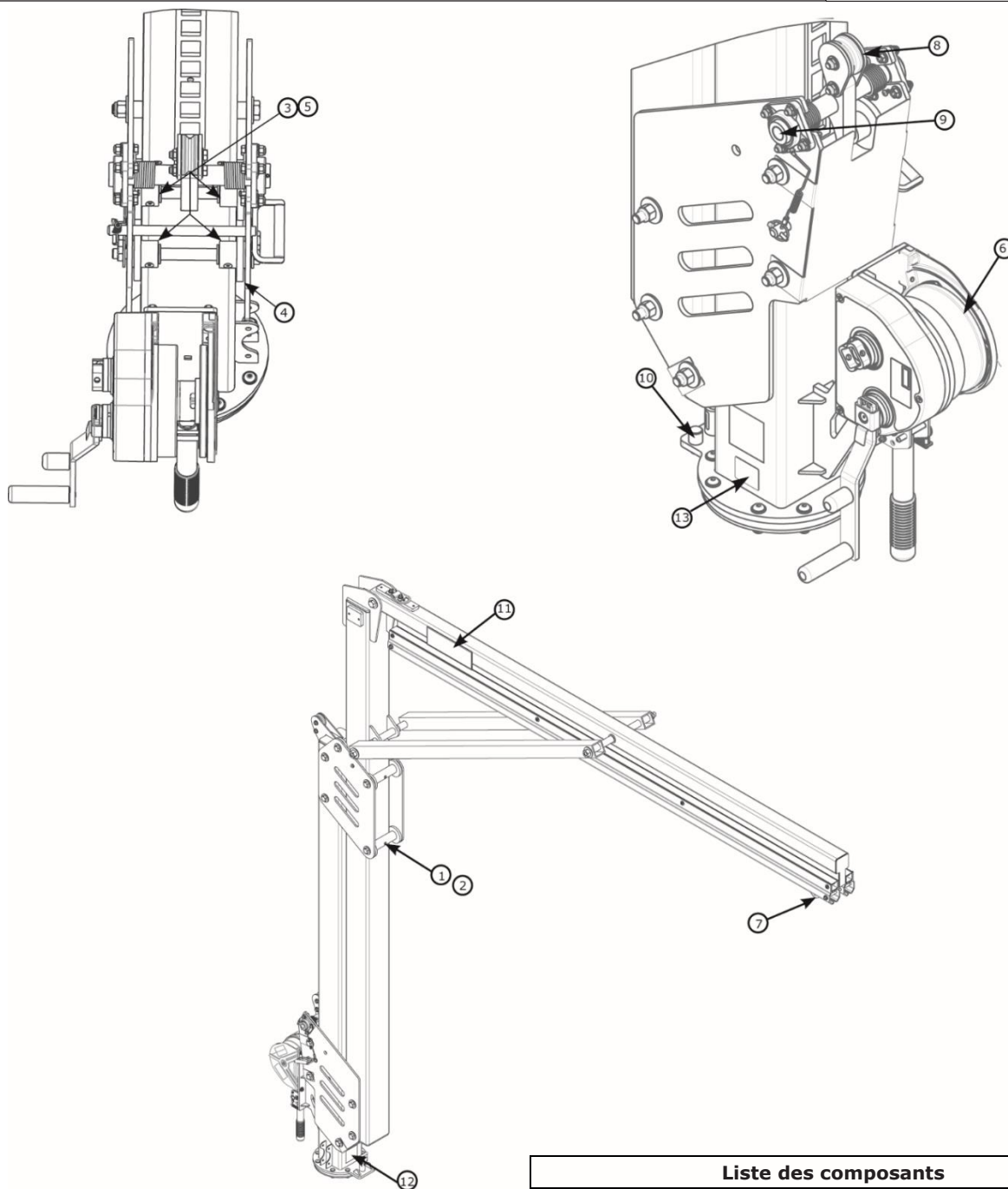
Composants du davier ajustable

FICHE TECHNIQUE: 8530891-8530894

3M

**DBI
SALA**

Fall Protection



Liste des composants				
	Numéro de pièce	Description	Matériau	Quantité
1	8550046	Rouleau large	Nylon	3
2	8550047	Entretoise de rouleau large	Acier inoxydable 304	3
3	8550327	Rouleau étroit	Nylon	2
4	9514703	Rouleau latéral	Nylon	8
5	8550213	Entretoise de rouleau étroit	Acier inoxydable 304	2
6	8549930	Treuil	Acier	1
7	8521711	Chariot	Acier, Nylon	1

Liste des composants				
	Numéro de pièce	Description	Matériau	Quantité
8	8550223	Mécanisme de verrouillage (réparation autorisée uniquement)	Acier, Nylon	1
9	9515138	Roulements	Acier	2
10	8550398	Butée de rotation	Aluminium	2
11	9515111	Étiquette 3M	Polyester	2
12	9515101	Étiquette de rotation	Polyester	1
13	9514429	Étiquette d'identification	Polyester	1
14	9515112	Étiquette utilisateur	Polyester	1

Davier semi-fixe

FICHE TECHNIQUE: 8530899-8530901





APPLICATION:

Le davier est conçu pour fournir des points de connexion d'ancrage pour un système de protection contre les chutes.

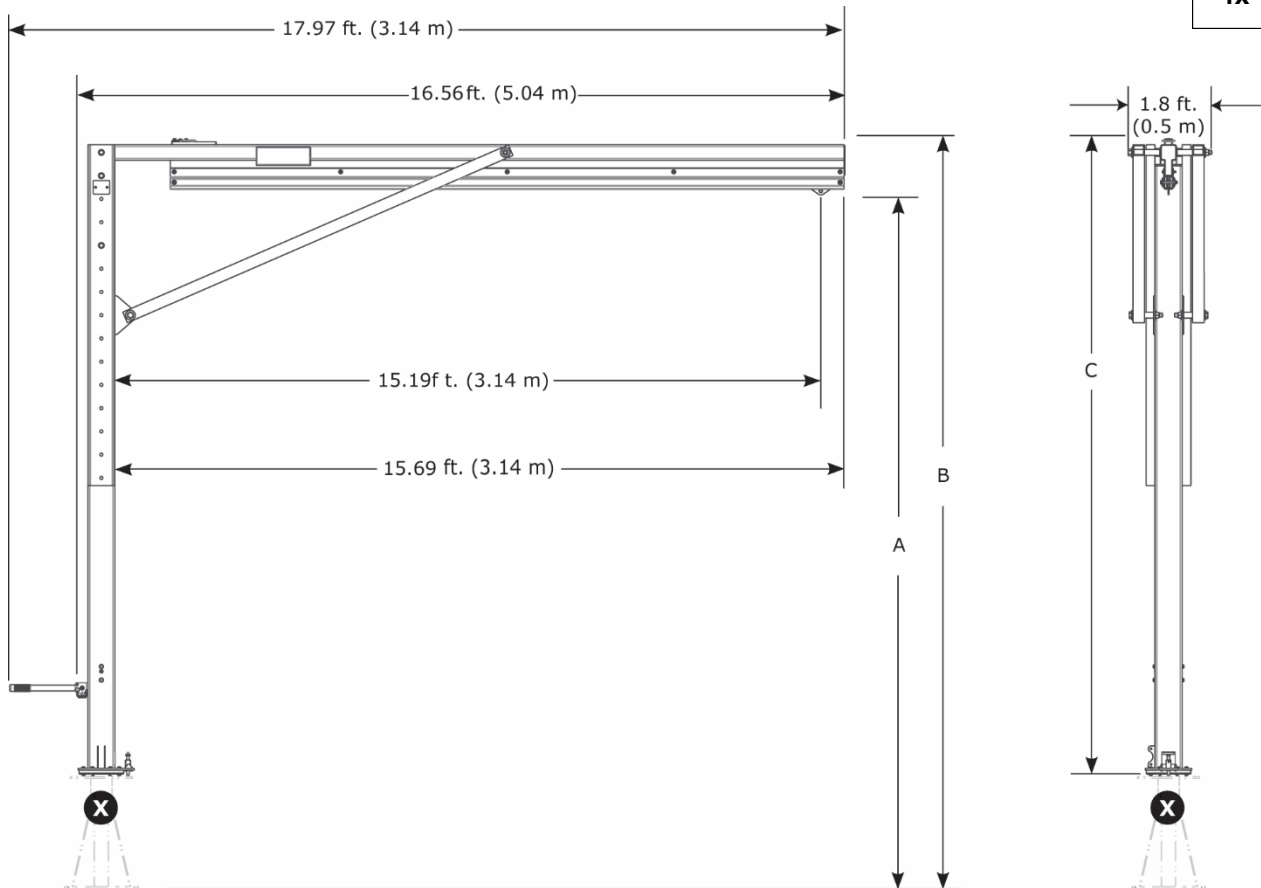
Pour plus d'informations sur l'installation du produit, veuillez consulter les instructions d'utilisation.

Normes : EN795:2012 Type E, OSHA 1910.140, OSHA 1926.502

 ≤ 1350 lb. (6 kN)

 ≤ 310 lb. (140 kg)

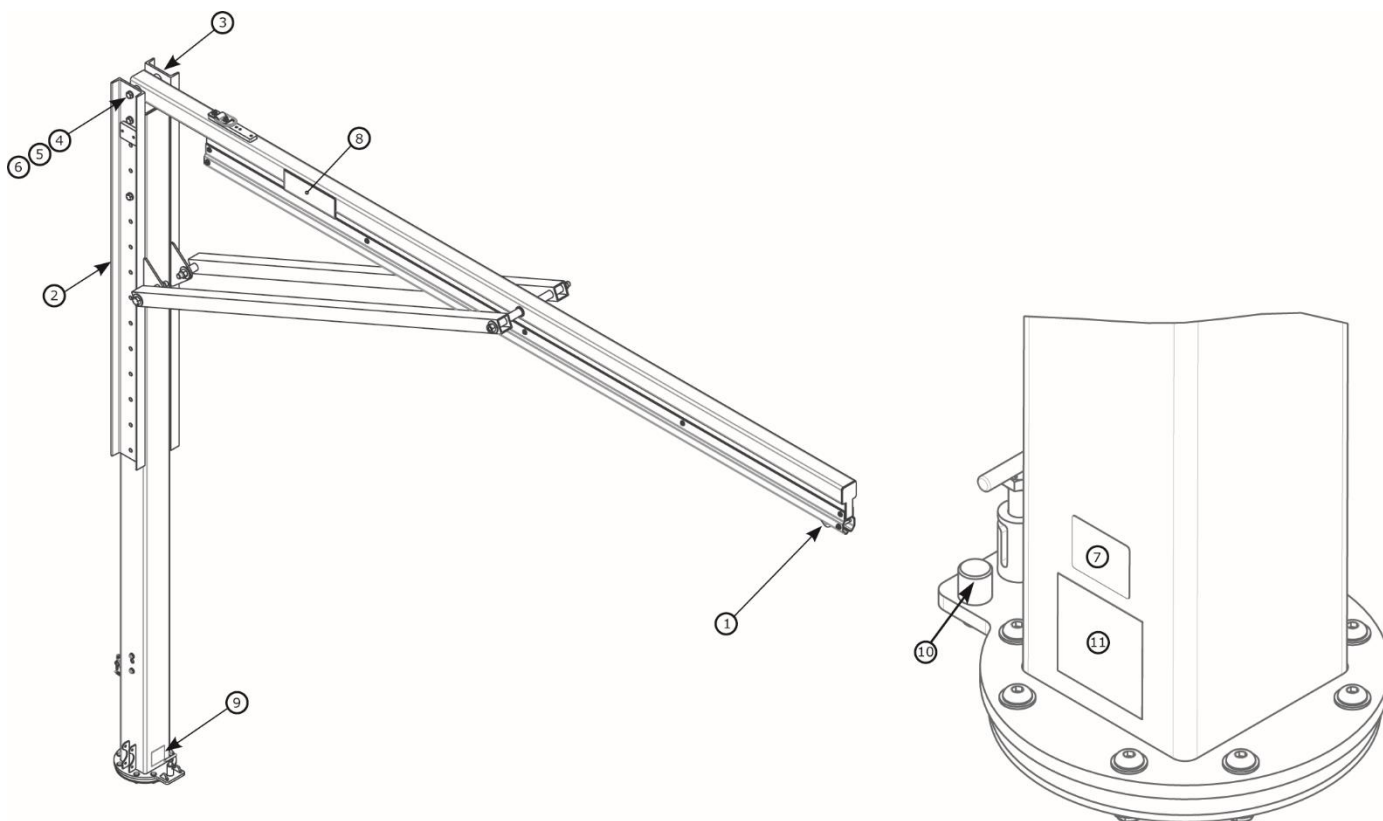
1x



	A	B	C	lb. (kg)
8530899	15.0 ft. – 20.0 ft. (4.6 m – 6.1 m)	16.1 ft. – 21.1 ft. (4.9 m – 6.4 m)	13.7 ft. – 18.7 ft. (4.2 m – 5.7 m)	818 lb. (371 kg)
8530900	20.0 ft. – 25.0 ft. (6.1 m – 7.6 m)	21.1 ft. – 26.1 ft. (6.4 m – 7.9 m)	18.7 ft. – 23.7 ft. (5.7 m – 7.2 m)	930 lb. (422 kg)
8530901	25.0 ft. – 30.0 ft. (7.6 m – 9.1 m)	26.1 ft. – 31.1 ft. (7.9 m – 9.6 m)	23.7 ft. – 28.7 ft. (7.2 m – 8.7 m)	1,041 lb. (472 kg)
+6" (152 mm) incrément de réglage				

Composants du davier semi-fixe

FICHE TECHNIQUE: 8530899-8530901



	Numéro de pièce	Description	Matériau	Quantité
1	8521711	Chariot	Acier inoxydable, Acier, Nylon	1
2	8549933	Rail de montage de sauvetage	Acier	1
3	8550248	Rail	Acier	1
4	8526654	Boulon 3/4" x 9"	Acier	2
5	8522275	Rondelle 3/4"	Acier	4
6	8518276	Écrou 3/4"	Acier	2
7	9514429	Étiquette d'identification	Polyester	1

	Numéro de pièce	Description	Matériau	Quantité
8	9515111	Étiquette 3M	Polyester	2
9	9515101	Étiquette de rotation	Polyester	1
10	8550398	Butée de rotation	Aluminium	2
11	9515112	Étiquette utilisateur	Polyester	1

Davier ajustable

FICHE TECHNIQUE: 8530895-8530898



APPLICATION:

Le davier est conçu pour fournir des points de connexion d'ancrage pour un système de protection contre les chutes.

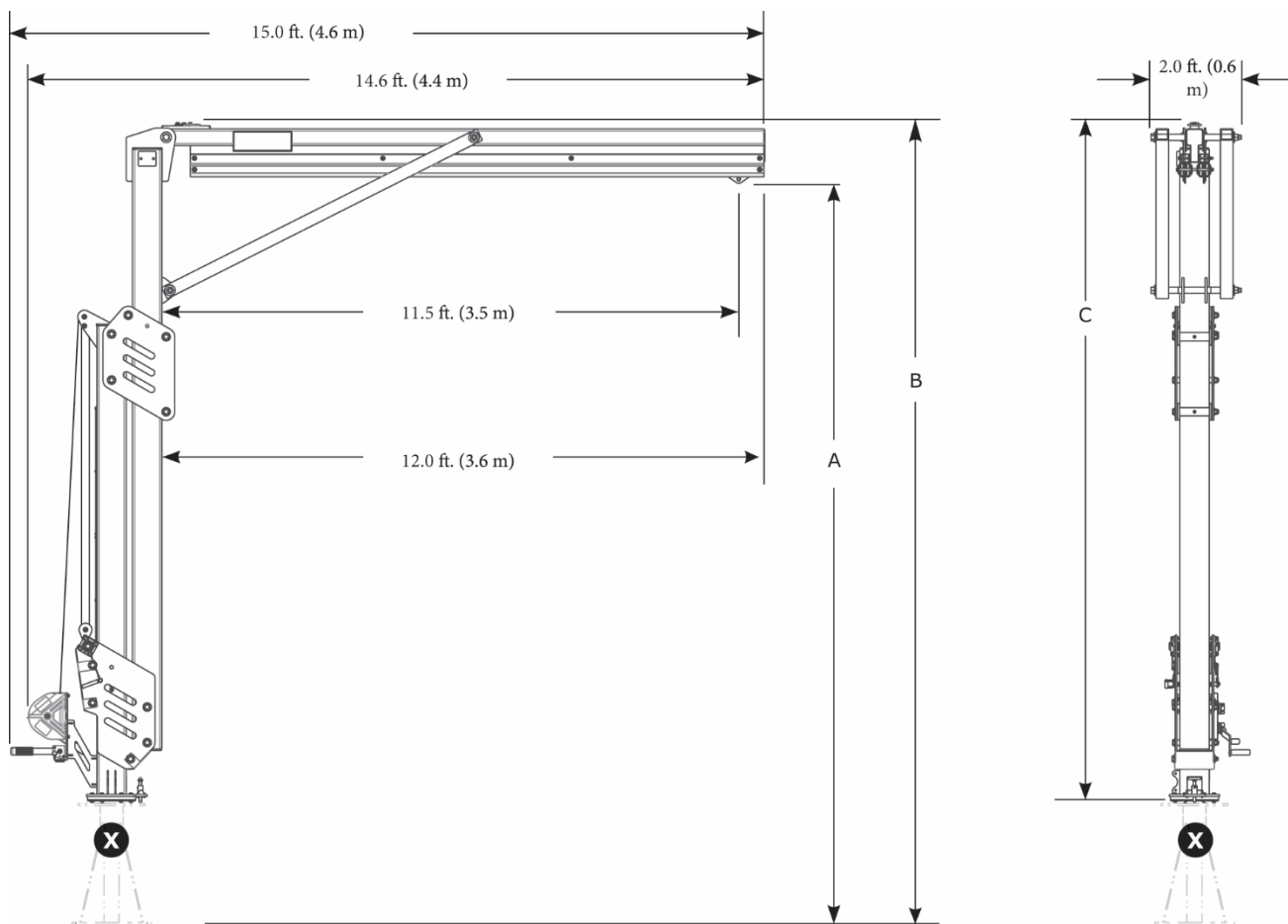
Pour plus d'informations sur l'installation du produit, veuillez consulter les instructions d'utilisation.

Normes : CEN/TS 16415:2013 Type E, EN795:2012 Type E, OSHA 1910.140, OSHA 1926.502

≤ 1350 lb.
(6 kN)

≤ 310 lb.
(140 kg)

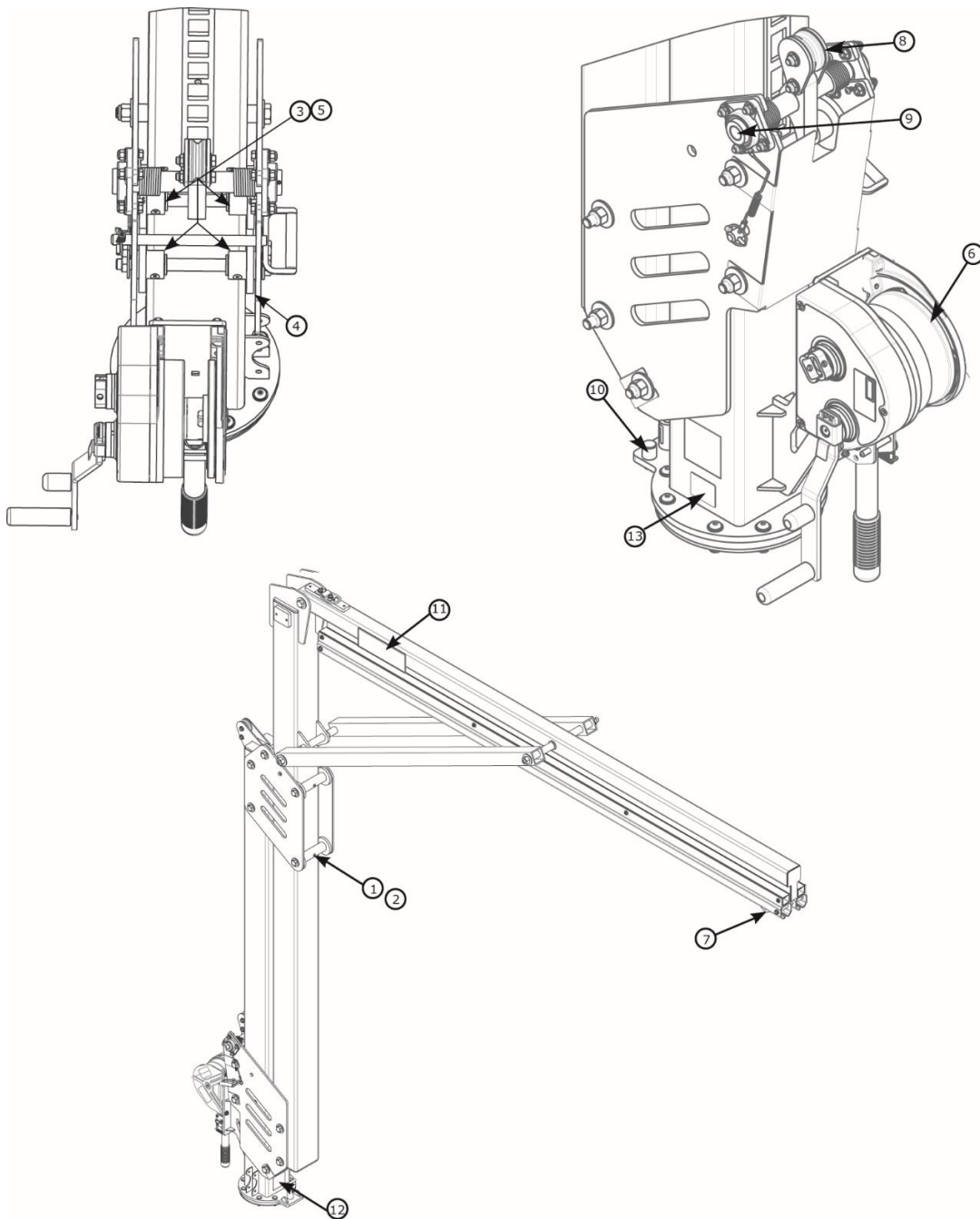
2x



	A	B	C	lb. (kg)
8530895	12.3 ft. - 15.0 ft. (3.8 m - 4.6 m)	13.4 ft. - 16.1 ft. (4.1 m - 4.9 m)	11.0 ft. - 13.7 ft. (3.4 m - 4.2 ft.)	1,011 lb. (459 kg)
8530896	14.8 ft. - 20.0 ft. (4.5 m - 6.1 m)	15.9 ft. - 21.1 ft. (4.8 m - 6.4 m)	13.5 ft. - 18.7 ft. (4.1 m - 5.7 m)	1,123 lb. (509 kg)
8530897	17.3 ft. - 25.0 ft. (5.3 m - 7.6 m)	18.4 ft. - 26.1 ft. (5.6 m - 8.0 m)	16.0 - 23.7 ft. (4.9 m - 7.2 m)	1,235 lb. (560 kg)
8530898	19.8 ft. - 30.0 ft. (6.0 m - 9.1 m)	20.9 ft. - 31.1 ft. (6.4 m - 9.5 m)	18.5 ft. - 28.7 ft. (5.6 m - 8.7 m)	1,343 lb. (609 kg)

Composants du davier ajustable

FICHE TECHNIQUE: 8530895-8530898



Liste des composants				
	Numéro de pièce	Description	Matériau	Quantité
1	8550046	Rouleau large	Nylon	3
2	8550047	Entretoise de rouleau large	Acier inoxydable 304	3
3	8550327	Rouleau étroit	Nylon	2
4	9514703	Rouleau latéral	Nylon	8
5	8550213	Entretoise de rouleau étroit	Acier inoxydable 304	2
6	8549930	Treuil	Acier	1
7	8521711	Chariot	Acier, Nylon	1

Liste des composants				
	Numéro de pièce	Description	Matériau	Quantité
8	8550223	Mécanisme de verrouillage (réparation autorisée uniquement)	Acier, Nylon	1
9	9515138	Roulements	Acier	2
10	8550398	Butée de rotation	Aluminium	2
11	9515111	Étiquette 3M	Polyester	2
12	9515101	Étiquette de rotation	Polyester	1
13	9514429	Étiquette d'identification	Polyester	1
14	9515112	Étiquette utilisateur	Polyester	1

Davier semi-fixe

FICHE TECHNIQUE: 8530902-8530904



APPLICATION:

Le davier est conçu pour fournir des points de connexion d'ancrage pour un système de protection contre les chutes.

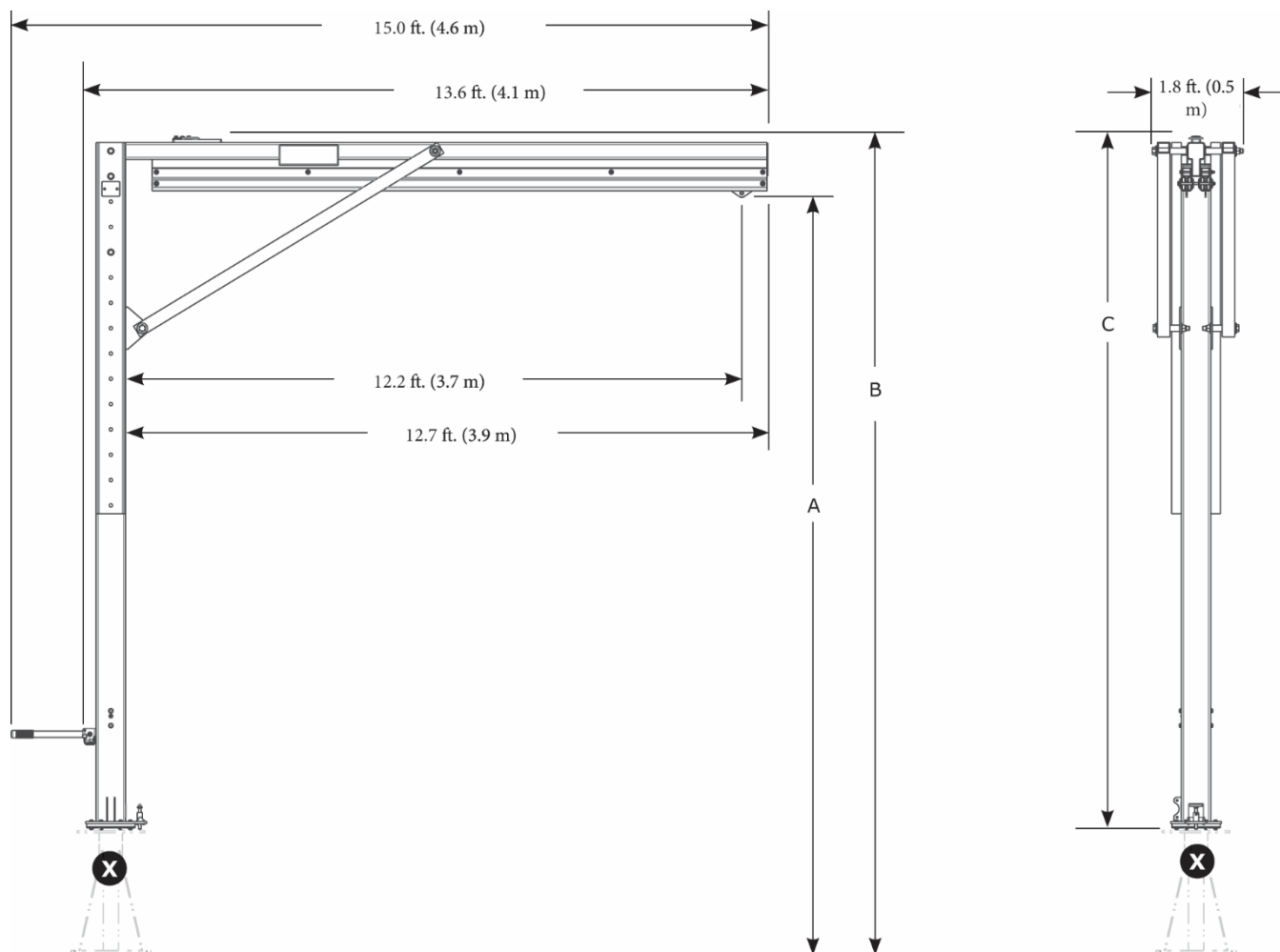
Pour plus d'informations sur l'installation du produit, veuillez consulter les instructions d'utilisation.

Normes : CEN/TS 16415:2013 Type E, EN795:2012 Type E, OSHA 1910.140, OSHA 1926.502

≤ 1350 lb.
(6 kN)

≤ 310 lb.
(140 kg)

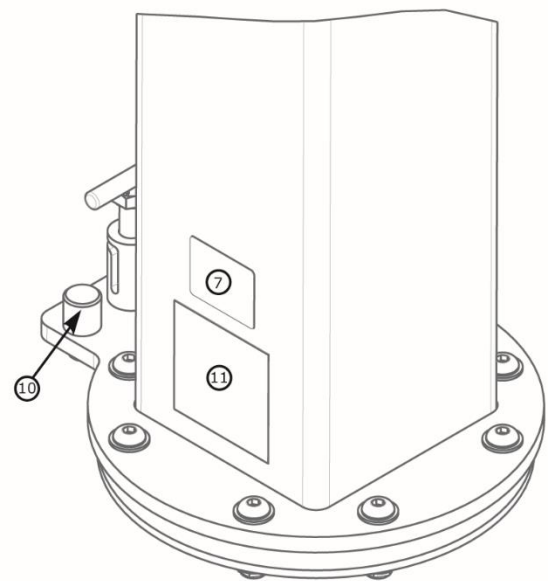
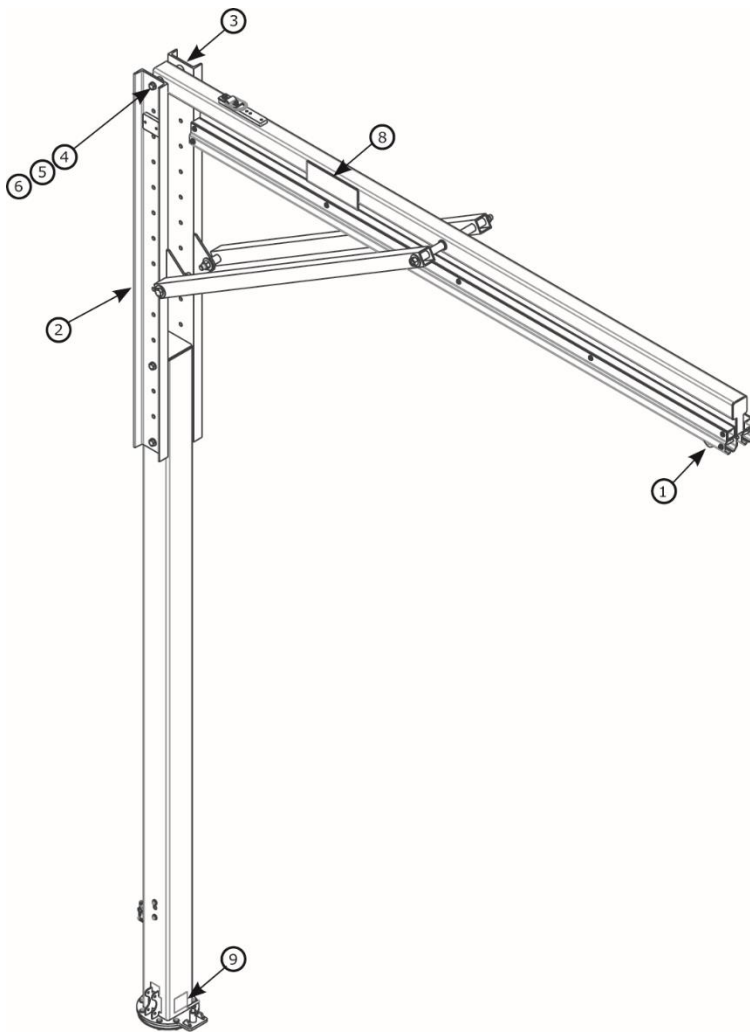
2x



	A	B	C	lb. (kg)
8530902	15.0 ft. – 20.0 ft. (4.6 m – 6.1 m)	16.1 ft. – 21.1 ft. (4.9 m – 6.4 m)	13.7 ft. – 18.7 ft. (4.2 m – 5.7 m)	850 lb. (386 kg)
8530903	20.0 ft. – 25.0 ft. (6.1 m – 7.6 m)	21.1 ft. – 26.1 ft. (6.4 m – 7.9 m)	18.7 ft. – 23.7 ft. (5.7 m – 7.2 m)	961 lb. (436 kg)
8530904	25.0 ft. – 30.0 ft. (7.6 m – 9.1 m)	26.1 ft. – 31.1 ft. (7.9 m – 9.6 m)	23.7 ft. – 28.7 ft. (7.2 m – 8.7 m)	1,073 lb. (487 kg)

Composants du davier semi-fixe

FICHE TECHNIQUE: 8530902-8530904



	Numéro de pièce	Description	Matériau	Quantité
1	8521711	Chariot	Acier inoxydable, Acier, Nylon	1
2	8549933	Rail de montage de sauvetage	Acier	1
3	8550248	Rail	Acier	1
4	8526654	Boulon 3/4" x 9"	Acier	2
5	8522275	Rondelle 3/4"	Acier	4
6	8518276	Écrou 3/4"	Acier	2
7	9514429	Étiquette d'identification	Polyester	1

	Numéro de pièce	Description	Matériau	Quantité
8	9515111	Étiquette 3M	Polyester	2
9	9515101	Étiquette de rotation	Polyester	1
10	8550398	Butée de rotation	Aluminium	2
11	9515112	Étiquette utilisateur	Polyester	1

Base de contrepoids M200

FICHE TECHNIQUE: 8530886, 8530887



APPLICATION:

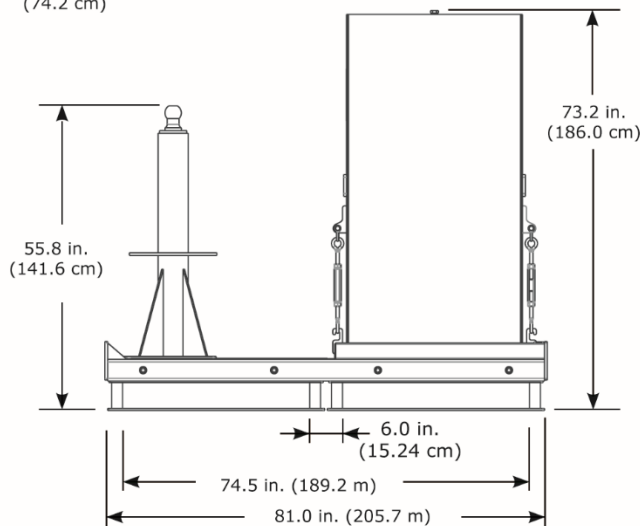
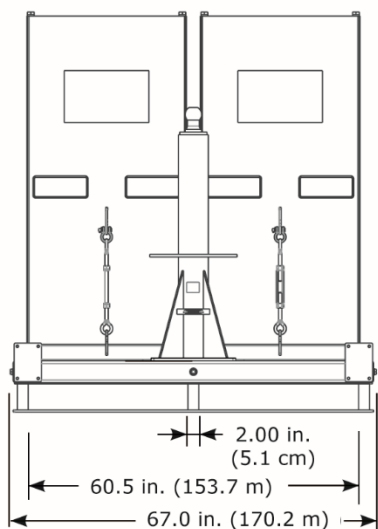
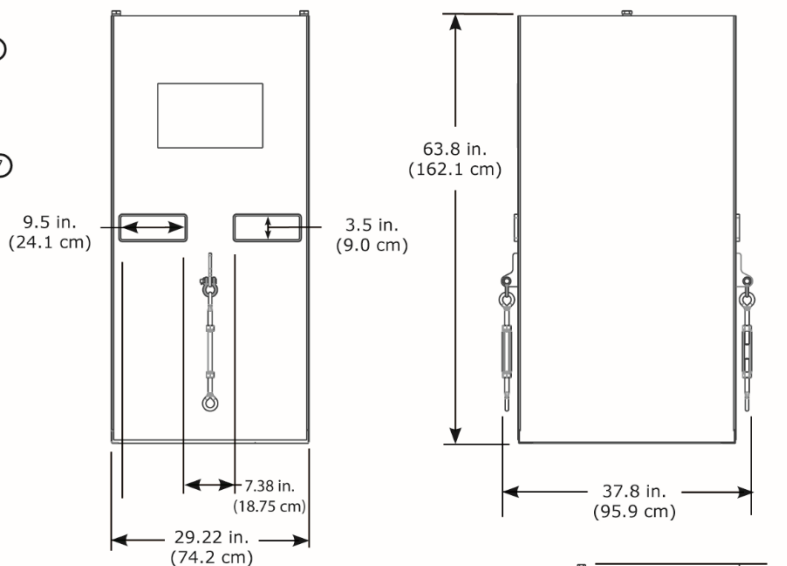
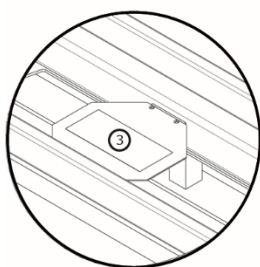
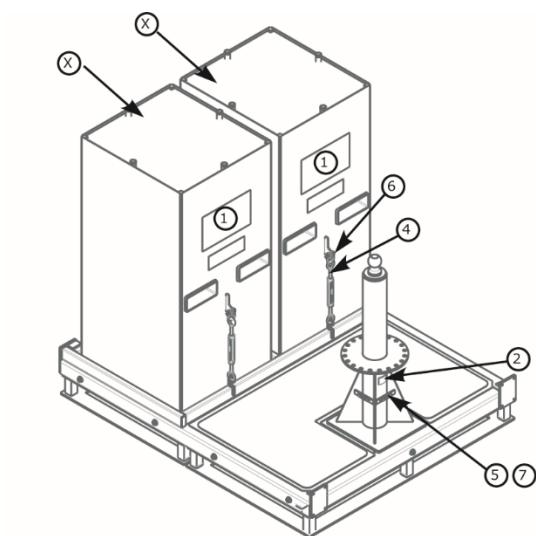
La base de davier est conçue pour être utilisée comme point de montage pour le système de davier.

Pour plus d'informations sur l'installation du produit, veuillez consulter les instructions d'utilisation.

Normes : CEN/TS 16415:2013 Type E, EN795:2012 Type E, OSHA 1910.140, OSHA 1926.502

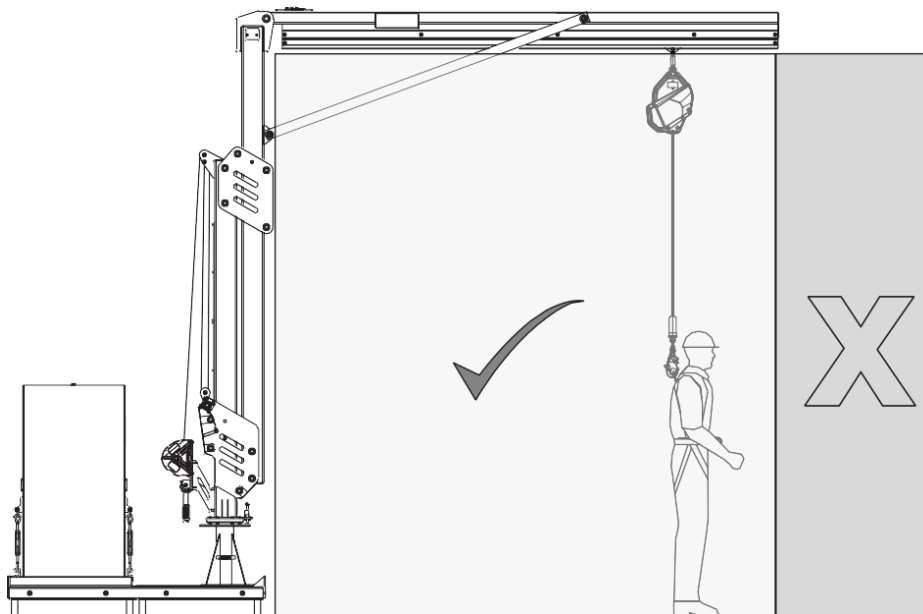
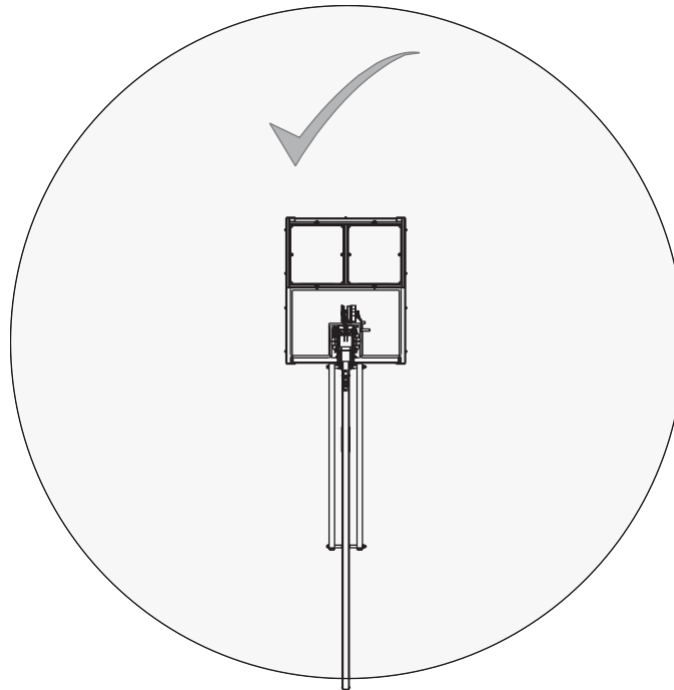
	X 4,000 psi (30 MPa)	Exigences pour la structure de support	Poids
8530886		14,645 lb. (6,643 kg)	2,407 lb. (1,092 kg)
8530887	✓	+ Poids de la flèche M200	11,325 lb. (5,137 kg)

Liste des composants				
	Numéro de pièce	Description	Matériau	Quantité
1	9515107	Étiquette utilisateur	Polyester	1
2	9514429	Étiquette d'identification	Polyester	1
3	9515106	Étiquette d'avertissement	Polyester	1
4	8520575	Tendeur	Acier	2
5	9513627	Vis #4	Acier	4
6	9501794	Manille	Acier	2
7	9515058	Niveau à bulle	Plastique	2
8	9515566	Étiquette d'avertissement	Polyester	4



APPLICATION:

Veillez vous référer au schéma ci-dessous pour la zone de travail du produit.



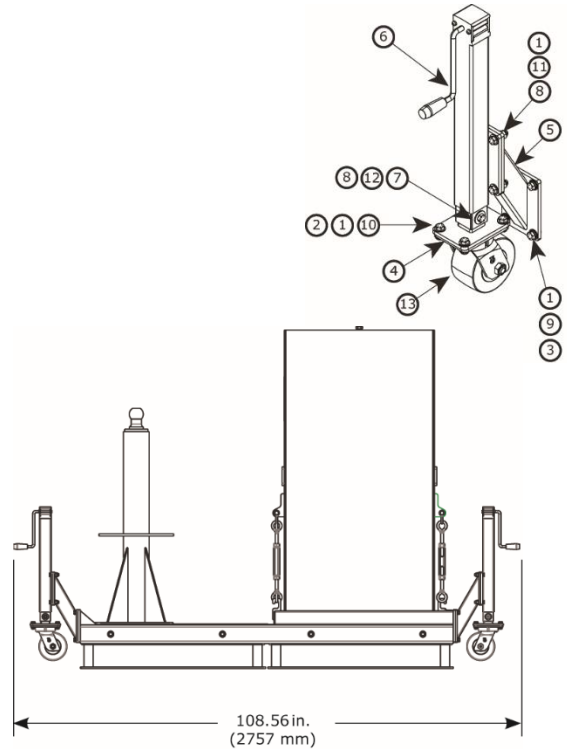
Accessoires de la base de contrepoids M200

FICHE TECHNIQUE: 8530907, 8530908, 8530777

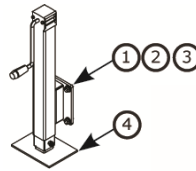


Fall Protection

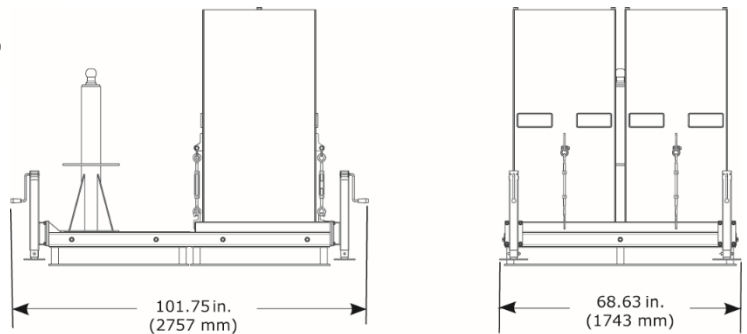
Liste des composants				
	Numéro de pièce	Description	Matériau	Quantité
1	8510037	Rondelle 1/2"	Acier	80
2	8512460	Boulon 1/2" x 1 1/4"	Acier	16
3	8518432	Boulon 1/2" x 1"	Acier	16
4	8550153	Assemblage de roue	Acier	4
5	8550155	Assemblage incliné	Acier	4
6	8550156	Assemblage monté	Acier	4
7	9501243	Rondelle 1/2"	Acier	8
8	9501831	Écrou hexagonal 1/2"	Acier	20
9	9504221	Rondelle 1/2"	Acier	16
10	9504813	Écrou hexagonal 1/2"	Acier	16
11	9509276	Boulon 1/2" x 1 3/4"	Acier	16
12	9510153	Boulon 1/2" x 3 1/4"	Acier	4
13	9515081	Roue pivotante	Acier, Uréthane	4



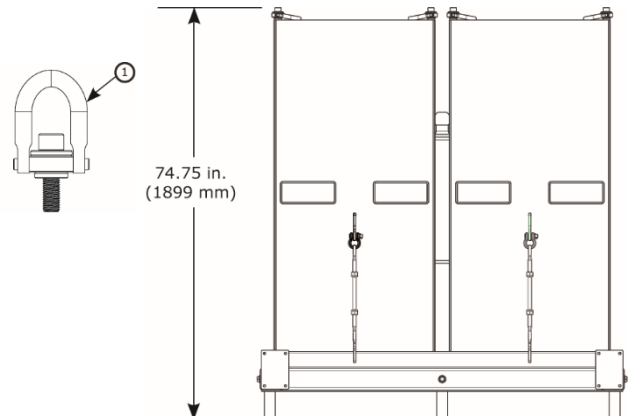
	8530907	8530908	8530777
Poids	108 lb. (49 kg)	152 lb. (69 kg)	12 lb. (5.4 kg)



	Numéro de pièce	Description	Matériau	Quantité
1	9504221	Rondelle de blocage 1/2"	Acier	16
2	8510037	Rondelle 1/2"	Acier	16
3	8518432	Boulon 1/2" x 1"	Acier	16
4	8550177	Assemblage de roue	Acier	4





Liste des composants				
	Numéro de pièce	Description	Matériau	Quantité
1	9512574	Anneau de levage	Acier	4

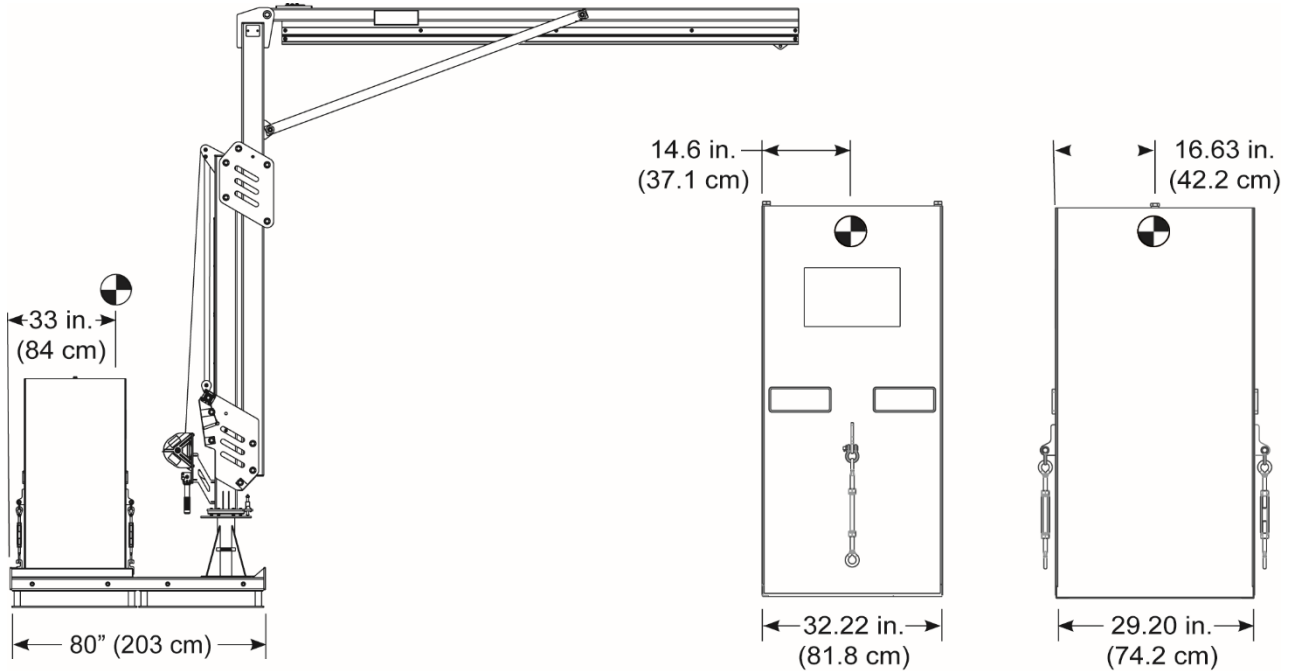



Centre de gravité de la base de contrepoids M200
FICHE TECHNIQUE: 8530886, 8530887




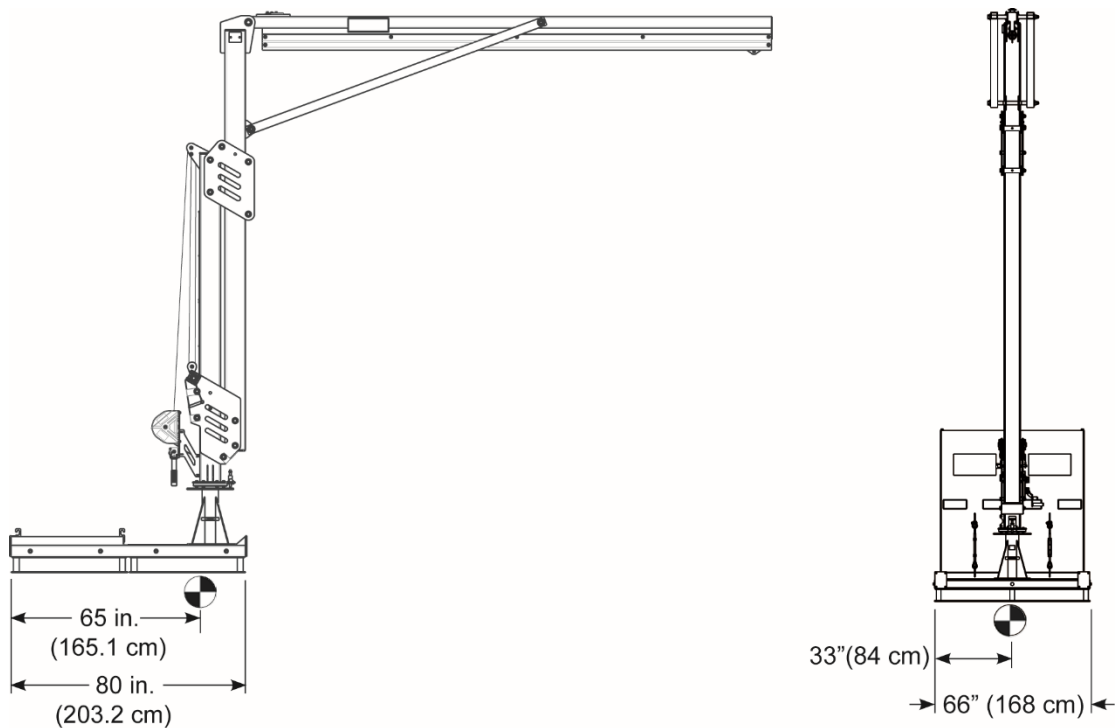
8530887	8530898
 .lb (kg)	12,668 lbs. (5,746 kg)

 .lb (kg)	5,000 lbs. (2,268 kg)
--	--------------------------



8530887	8530898
 .lb (kg)	2,668 lbs. (1,210 kg)

8530887	8530898
 .lb (kg)	12,668 lbs. (5,746 kg)



Base de montage au sol M200

FICHE TECHNIQUE: 8530888



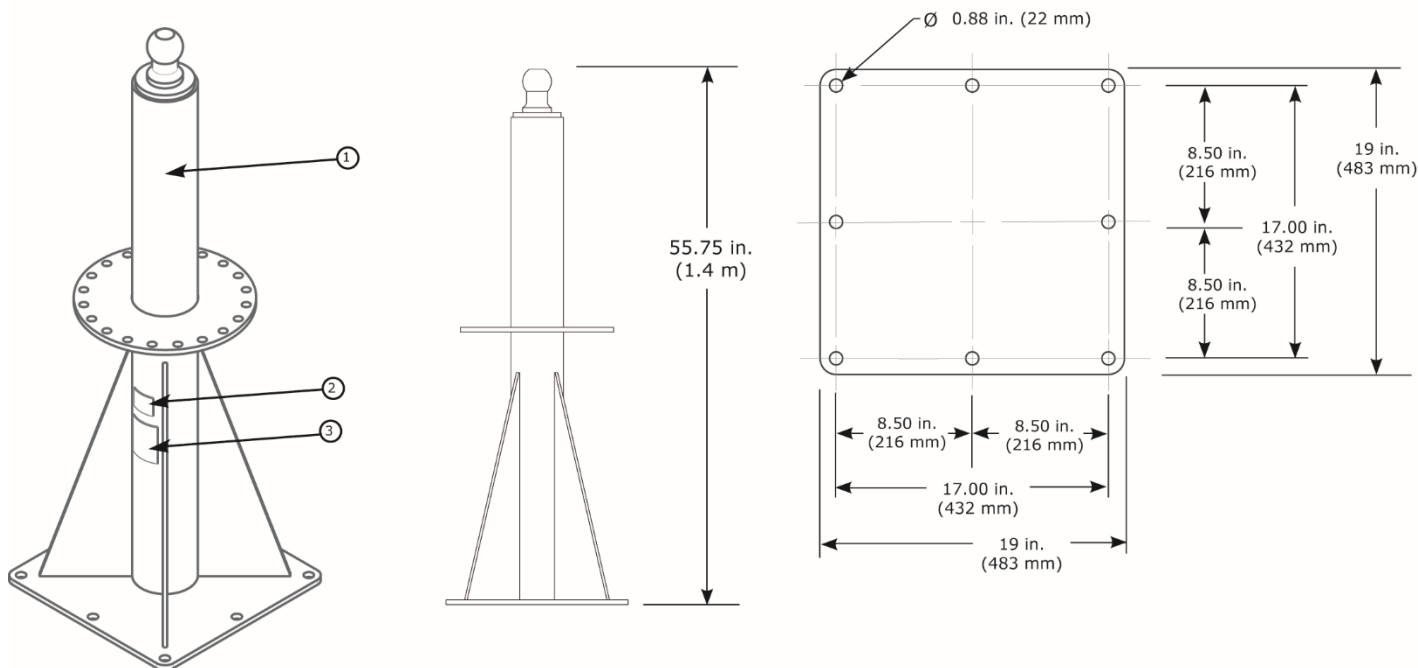
APPLICATION:

La base de davier est conçue pour être utilisée comme point de montage pour le système de davier.

Pour plus d'informations sur l'installation du produit, veuillez consulter les instructions d'utilisation.

Normes : CEN/TS 16415:2013 Type A, EN795:2012 Type A, OSHA 1910.140, OSHA 1926.502

	Poids
8530888	265 lb. (120 kg)



Liste des composants				
	Numéro de pièce	Description	Matériau	Quantité
1	8549921	Assemblage de base	Acier	1
2	9514429	Étiquette d'identification	Polyester	1
3	9515114	Étiquette utilisateur	Polyester	1

Exigences de montage		
Force minimale d'arrachement des fixations	Charge minimale de moment de la structure de montage	Charge verticale minimale de la structure de montage
9,386 lb. (4,257 kg)	501,633 in.-lb. (56,677 N-m)	3,320 lb. (1,506 kg) + Poids de la base + Poids de la flèche M200

Base de montage encastrée M200

FICHE TECHNIQUE: 8530889, 8530920, 8530921



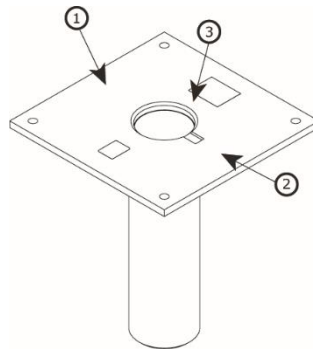
APPLICATION:

La base de davier est conçue pour être utilisée comme point de montage pour le système de davier.

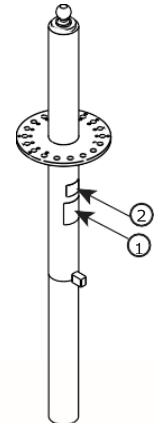
Pour plus d'informations sur l'installation du produit, veuillez consulter les instructions d'utilisation.

Normes : CEN/TS 16415:2013, EN795:2012 Type A, OSHA 1910.140, OSHA 1926.502

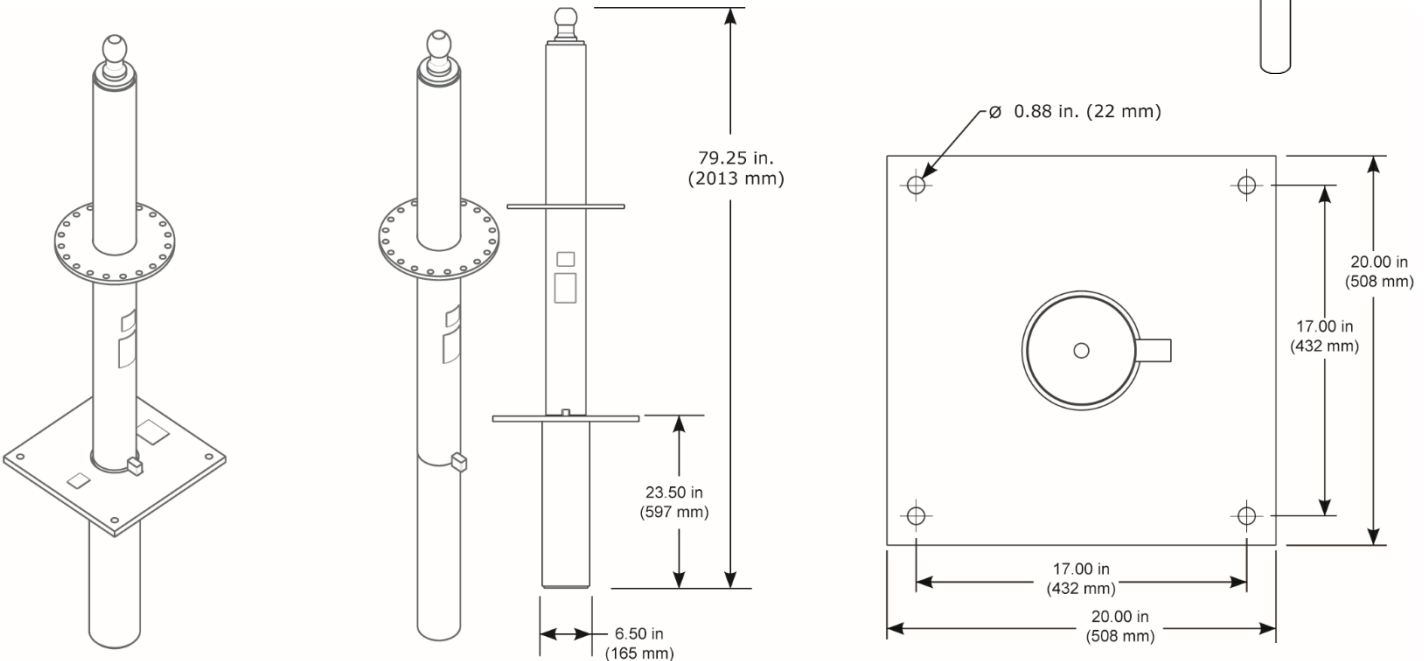
	Poids
8530920	140 lb. (64 kg)



	Poids
8530921	237 lb. (107 kg)



	Poids
8530889	377 lb. (171 kg)

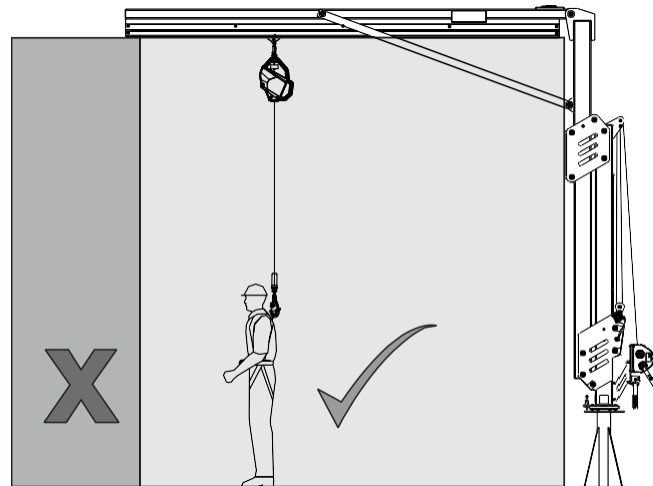
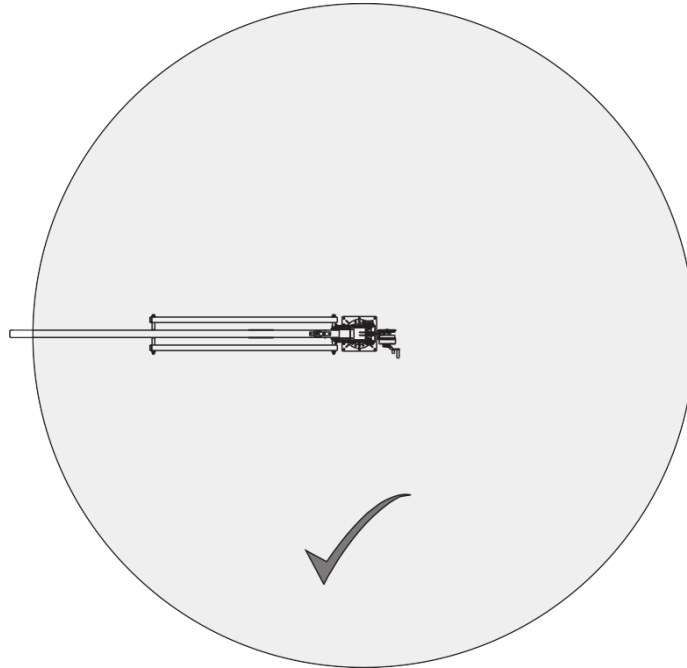


Liste des composants				
	Numéro de pièce	Description	Matériau	Quantité
1	9515114	Étiquette utilisateur	Polyester	1
2	9514429	Étiquette d'identification	Polyester	1
3	8550165	Capuchon de base	Aluminium, Caoutchouc	1

Exigences de montage	
Charge minimale de moment de la structure de montage	Charge verticale minimale de la structure de montage
501,633 in-lb. (56,677 N-m)	3,320 lb. (1,506 kg) + Poids de la base + Poids de la flèche M200

APPLICATION:

Veillez vous référer au schéma ci-dessous pour la zone de travail du produit.



Kit de poche pour fourche

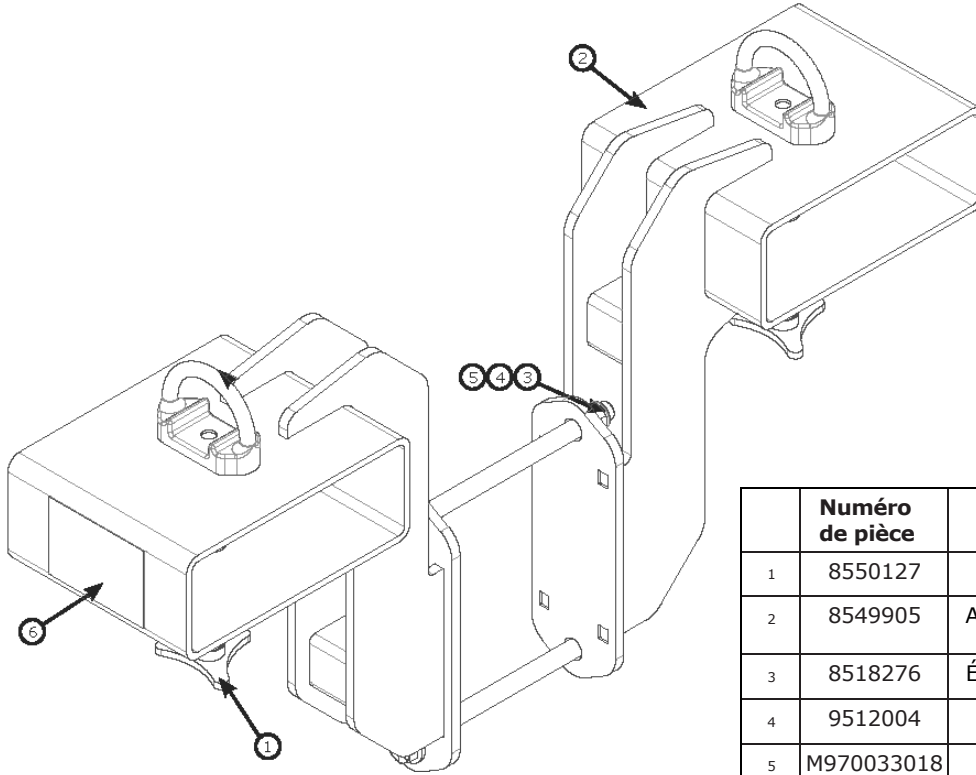
FICHE TECHNIQUE: 8530912



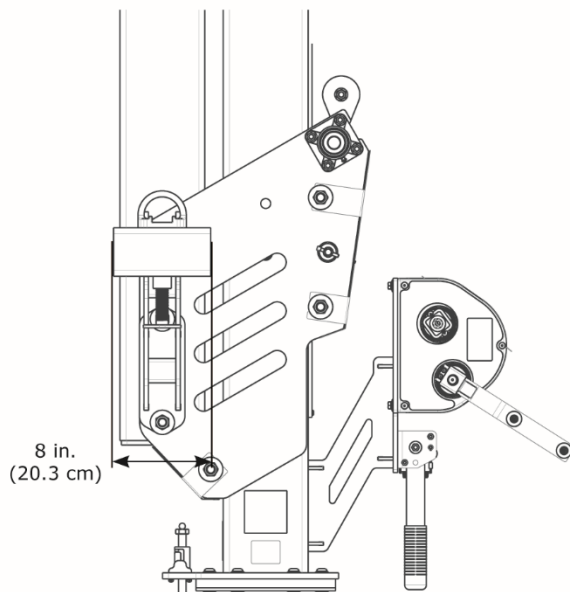
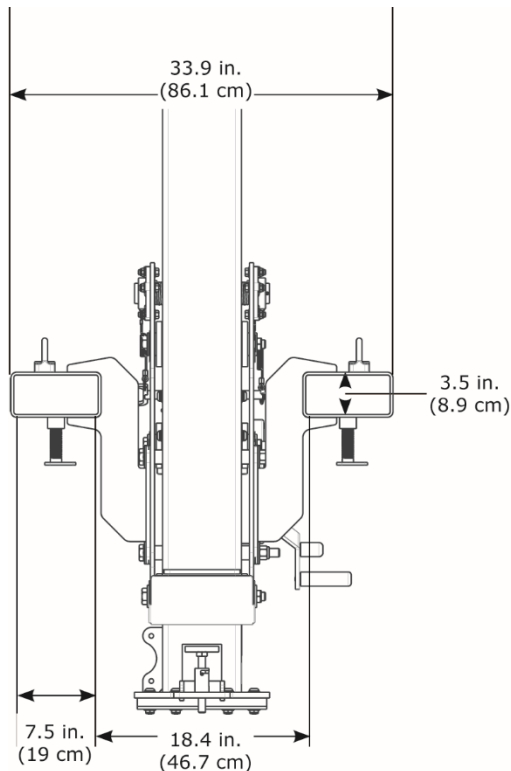
APPLICATION:

Ce modèle de kit de poche pour fourche est conçu pour transporter les modèles de davier à treuil **8530891-8530898**.

Pour plus d'informations sur l'installation des composants, veuillez consulter les instructions d'utilisation.



	Numéro de pièce	Composant	Quantité
1	8550127	Vis triple	2
2	8549905	Assemblage de poche pour fourche	2
3	8518276	Écrou hexagonal 3/4"	2
4	9512004	Boulon 3/4" x 12"	2
5	M970033018	Rondelle 3/4"	4
6	9515122	Étiquette utilisateur	1
	9500146	Maillon de chaîne	2
	8517096	Chaîne	10 ft.



Kit de poche pour fourche

FICHE TECHNIQUE: 8530925

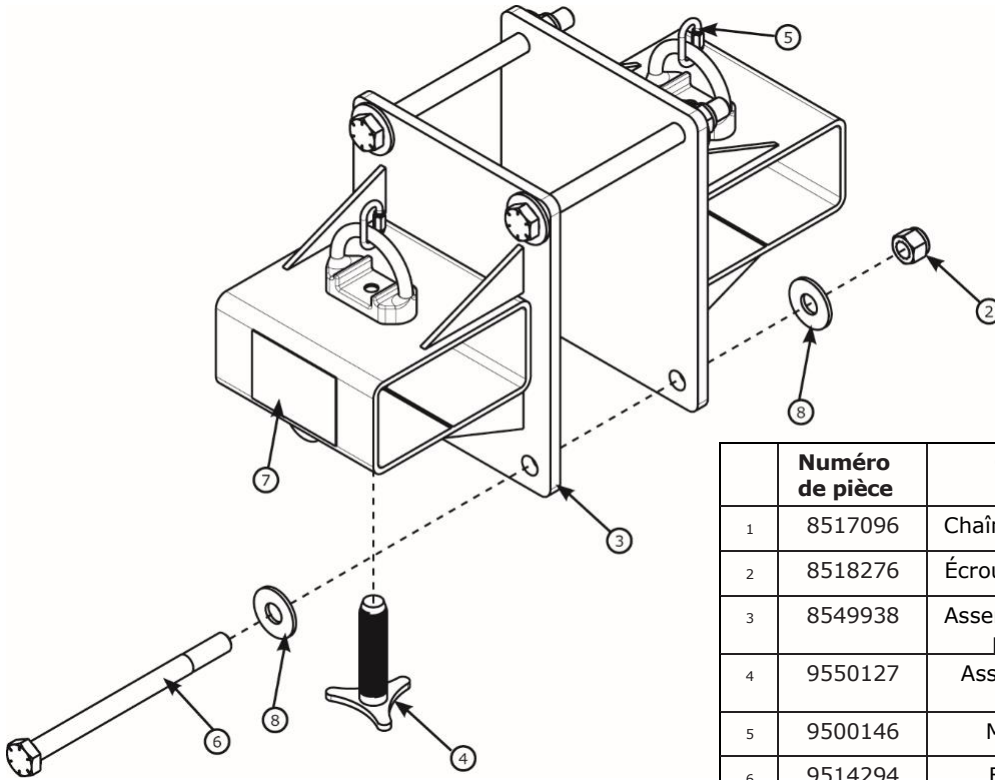


APPLICATION:

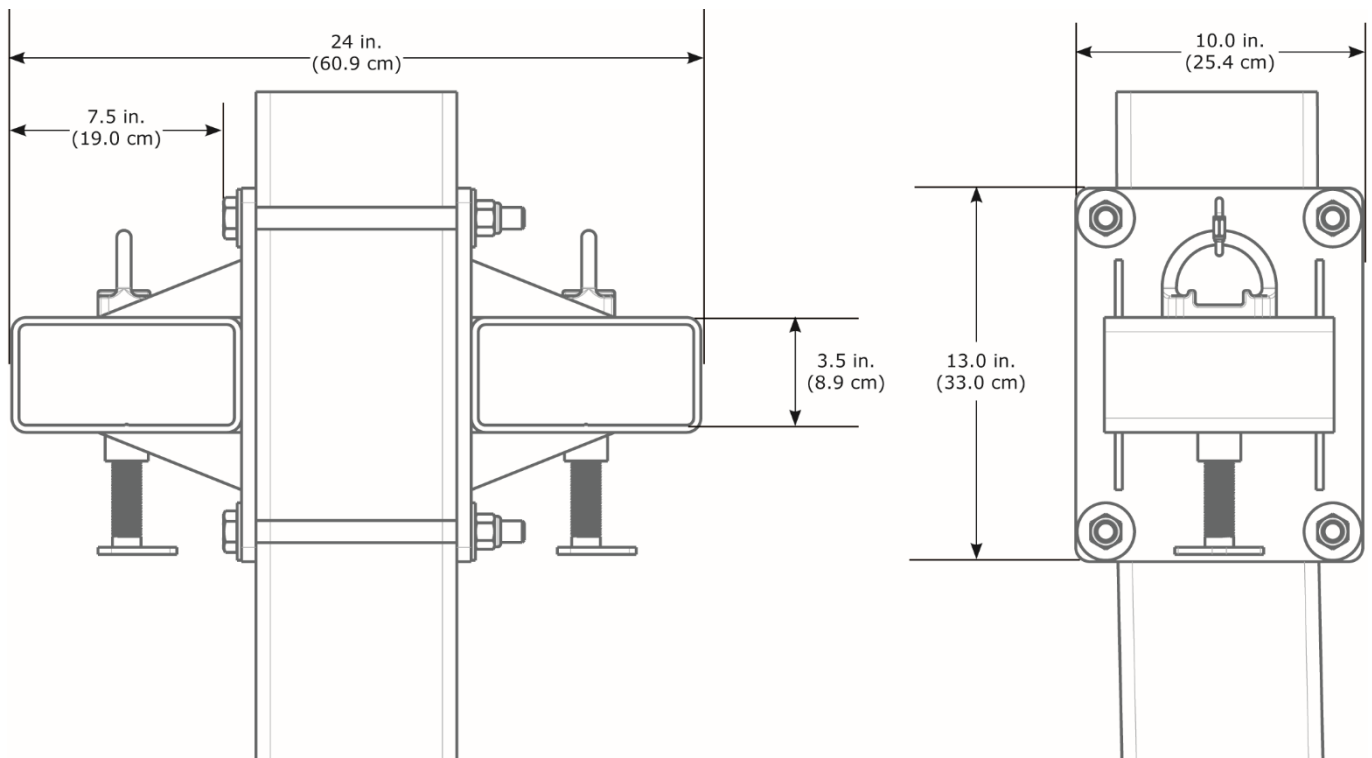
Ce modèle de kit de poche pour fourche est conçu pour transporter le davier avec les modèles de rail de réglage

8530899-8530904.

Pour plus d'informations sur l'installation des composants, veuillez consulter les instructions d'utilisation.



	Numéro de pièce	Composant	Quantité
1	8517096	Chaîne (non illustrée)	10 ft.
2	8518276	Écrou hexagonal 3/4"	4
3	8549938	Assemblage de poche pour fourche	2
4	9550127	Assemblage de vis triple	2
5	9500146	Maillon rapide	2
6	9514294	Boulon à tête hexagonale 3/4"	4
7	9515573	Étiquette d'avertissement	1
8	M970033018	Rondelle 3/4"	8



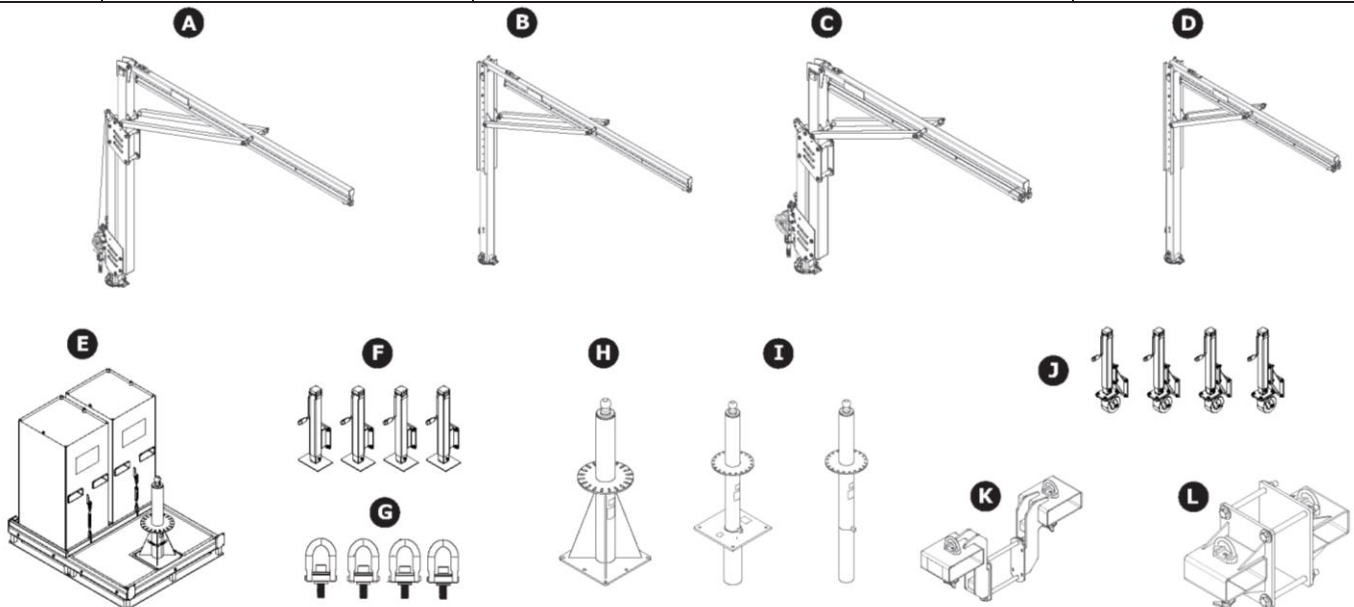


Fall Protection

3M™ DBI-SALA® M200 מערכות דביט

גיליון נתונים טכני חבילה 5908526 מהדורה ד'

הפניה	גיליון נתונים טכני	תיאור	עמוד
A	8530891	דביט מתכוונן רגל-15 רגל (3.8 מ'–4.6 מ')	200
	8530892	דביט מתכוונן רגל-20 רגל (4.5 מ'–6.1 מ')	200
	8530893	דביט מתכוונן רגל-25 רגל (5.3 מ'–7.6 מ')	200
	8530894	דביט מתכוונן רגל-30 רגל (6.1 מ'–9.1 מ')	200
B	8530899	דביט חצי-קבוע רגל-15 רגל (4.6 מ'–6.1 מ')	202
	8530900	דביט חצי-קבוע רגל-20 רגל (6.1 מ'–7.6 מ')	202
	8530901	דביט חצי-קבוע רגל-25 רגל (7.6 מ'–9.1 מ')	202
C	8530895	דביט מתכוונן רגל-15 רגל (3.8 מ'–4.6 מ')	204
	8530896	דביט מתכוונן רגל-20 רגל (4.5 מ'–6.1 מ')	204
	8530897	דביט מתכוונן רגל-25 רגל (5.3 מ'–7.6 מ')	204
	8530898	דביט מתכוונן רגל-30 רגל (6.1 מ'–9.1 מ')	204
D	8530902	דביט חצי-קבוע רגל-15 רגל (4.6 מ'–6.1 מ')	206
	8530903	דביט חצי-קבוע רגל-20 רגל (6.1 מ'–7.6 מ')	206
	8530904	דביט חצי-קבוע רגל-25 רגל (7.6 מ'–9.1 מ')	206
E	8530886	בסיס משקל נגד לא ממולא	208
	8530887	בסיס משקל נגד ממולא	208
F	8530907	ג'קים לבסיס משקל נגד	210
G	8530777	טבעות הרמה לבסיס משקל נגד	210
H	8530888	בסיס הרכבה לרצפה	212
I	8530889, 8530920, 8530921	בסיס הרכבה שקוע	213
J	8530908	גלגלים לבסיס משקל נגד	210
K	8530912	ערכת כיס למזלג	215
L	8530925	ערכת כיס למזלג	216

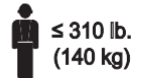
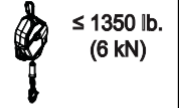


יישום:

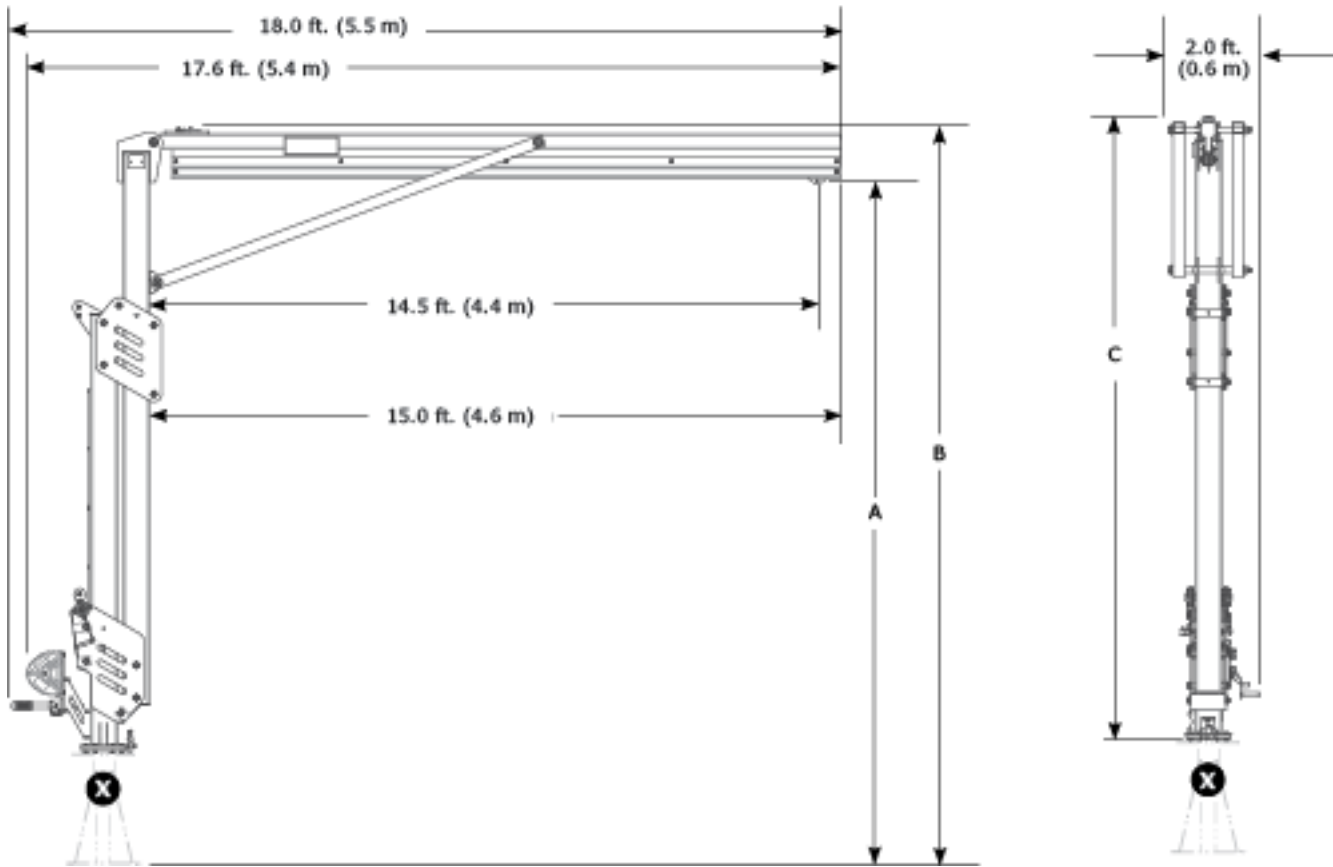
יישום הדביט מיועד לספק נקודות חיבור עגינה למערכת הגנה מפני נפילות.

למידע נוסף על התקנת המוצר, יש לעיין בהוראות המשתמש.

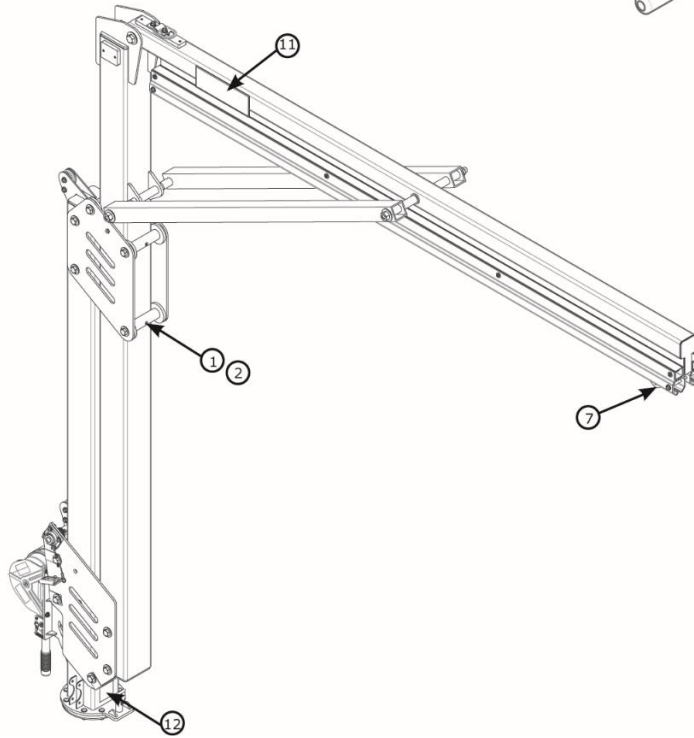
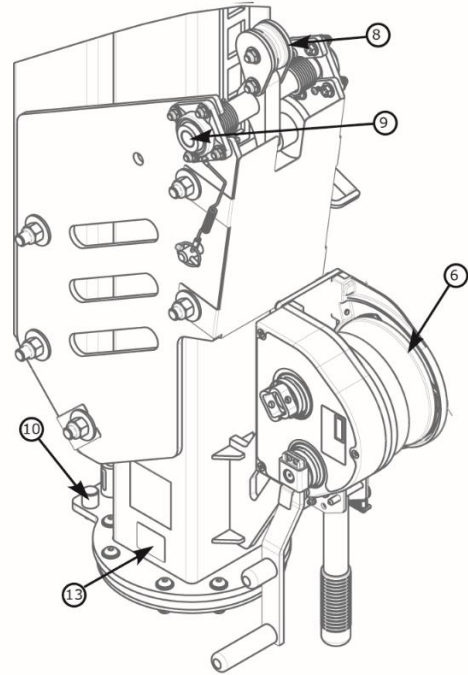
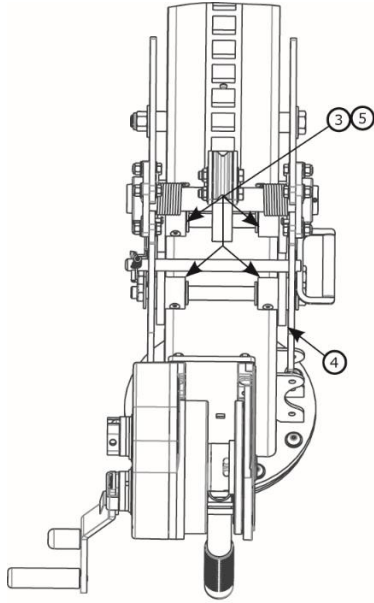
תקנים EN795:2012 סוג: OSHA 1926.502, OSHA 1910.140, E,



1x



	A	B	C	lb. (kg)
8530891	12.3 ft. - 15.0 ft. (3.8 m - 4.6 m)	13.4 ft. - 16.1 ft. (4.1 m - 4.9 m)	9.8 ft. - 14.8 ft. (3.0 m - 4.5 ft.)	945 lb. (429 kg)
8530892	14.8 ft. - 20.0 ft. (4.5 m - 6.1 m)	15.9 ft. - 21.1 ft. (4.8 m - 6.4 m)	13.5 ft. - 18.7 ft. (4.1 m - 5.7 m)	1,057 lb. (479 kg)
8530893	17.3 ft. - 25.0 ft. (5.3 m - 7.6 m)	18.4 ft. - 26.1 ft. (5.6 m - 8.0 m)	16.0 - 23.7 ft. (4.9 m - 7.2 m)	1,169 lb. (530 kg)
8530894	19.8 ft. - 30.0 ft. (6.0 m - 9.1 m)	20.9 ft. - 31.1 ft. (6.4 m - 9.5 m)	18.5 ft. - 28.7 ft. (5.6 m - 8.7 m)	1,281 lb. (581 kg)



רשימת רכיבים

מספר חלק	תיאור	חומר	כמות
1 8550046	גלגלת רחבה	ניילון	3
2 8550047	מרווח גלגלת רחבה	פלדת אל-חלד 304	3
3 8550327	גלגלת צרה	ניילון	2
4 9514703	גלגלת צדדית	ניילון	8
5 8550213	מרווח גלגלת צרה	פלדת אל-חלד 304	2
6 8549930	כננת	פלדה	1
7 8521711	עגלה	פלדה, ניילון	1

רשימת רכיבים

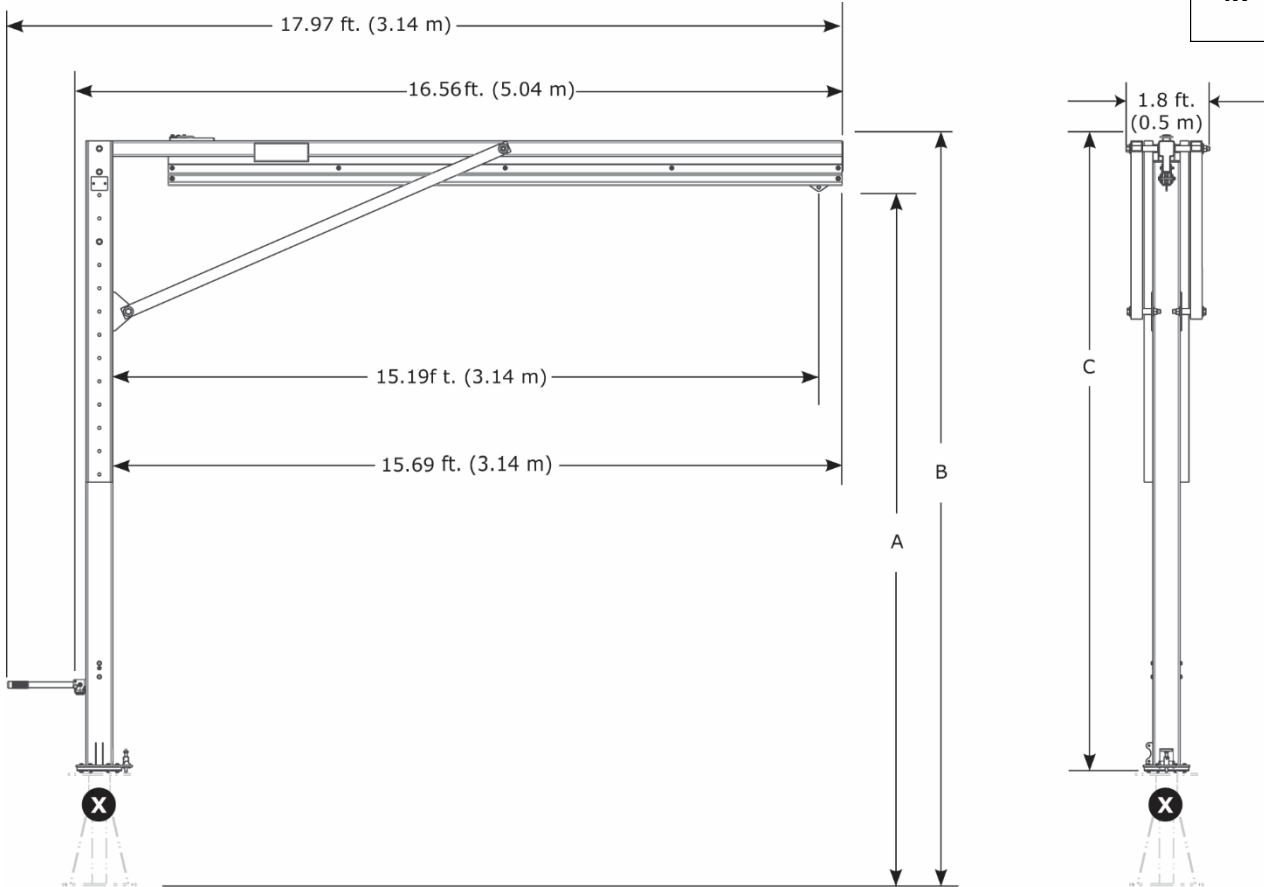
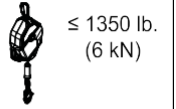
מספר חלק	תיאור	חומר	כמות
8 8550223	מנגנון נעילה (רק תיקון מורשה)	פלדה, ניילון	1
9 9515138	מיסבים	פלדה	2
10 8550398	עצירת סיבוב	אלומיניום	2
11 9515111	תווית M3	פוליאסטר	2
12 9515101	תווית סיבוב	פוליאסטר	1
13 9514429	תווית זיהוי	פוליאסטר	1
14 9515112	תווית משתמש	פוליאסטר	1

יישום:

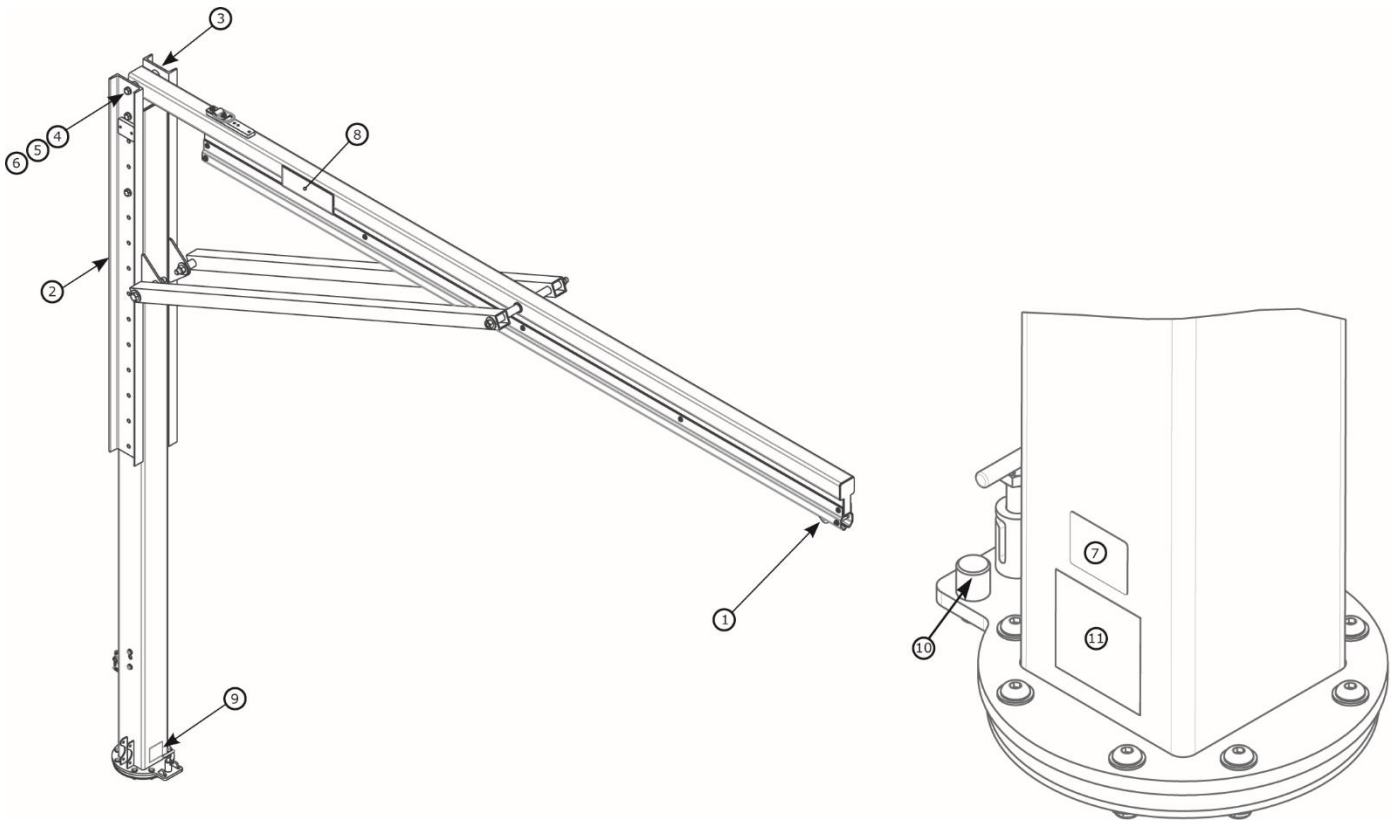
יישום הדביט מיועד לספק נקודות חיבור עגינה למערכת הגנה מפני נפילות.

למידע נוסף על התקנת המוצר, יש לעיין בהוראות המשתמש.

תקנים EN795:2012 סוג E, OSHA 1910.140, OSHA 1926.502



	A	B	C	lb. (kg)
8530899	15.0 ft. – 20.0 ft. (4.6 m – 6.1 m)	16.1 ft. – 21.1 ft. (4.9 m – 6.4 m)	13.7 ft. – 18.7 ft. (4.2 m – 5.7 m)	818 lb. (371 kg)
8530900	20.0 ft. – 25.0 ft. (6.1 m – 7.6 m)	21.1 ft. – 26.1 ft. (6.4 m – 7.9 m)	18.7 ft. – 23.7 ft. (5.7 m – 7.2 m)	930 lb. (422 kg)
8530901	25.0 ft. – 30.0 ft. (7.6 m – 9.1 m)	26.1 ft. – 31.1 ft. (7.9 m – 9.6 m)	23.7 ft. – 28.7 ft. (7.2 m – 8.7 m)	1,041 lb. (472 kg)
	+6" (152 mm) מדרגות כוונון			



מספר חלק	מספר	תיאור	חומר	כמות
1	8521711	עגלה	פלדת אל-חלד, פלדה, ניילון	1
2	8549933	תעלת הרכבה לחילוץ	פלדה	1
3	8550248	תעלה	פלדה	1
4	8526654	בורג 9"3/4 x "	פלדה	2
5	8522275	דיסקית 3/4"	פלדה	4
6	8518276	אום 3/4"	פלדה	2
7	9514429	תווית זיהוי	פוליאסטר	1

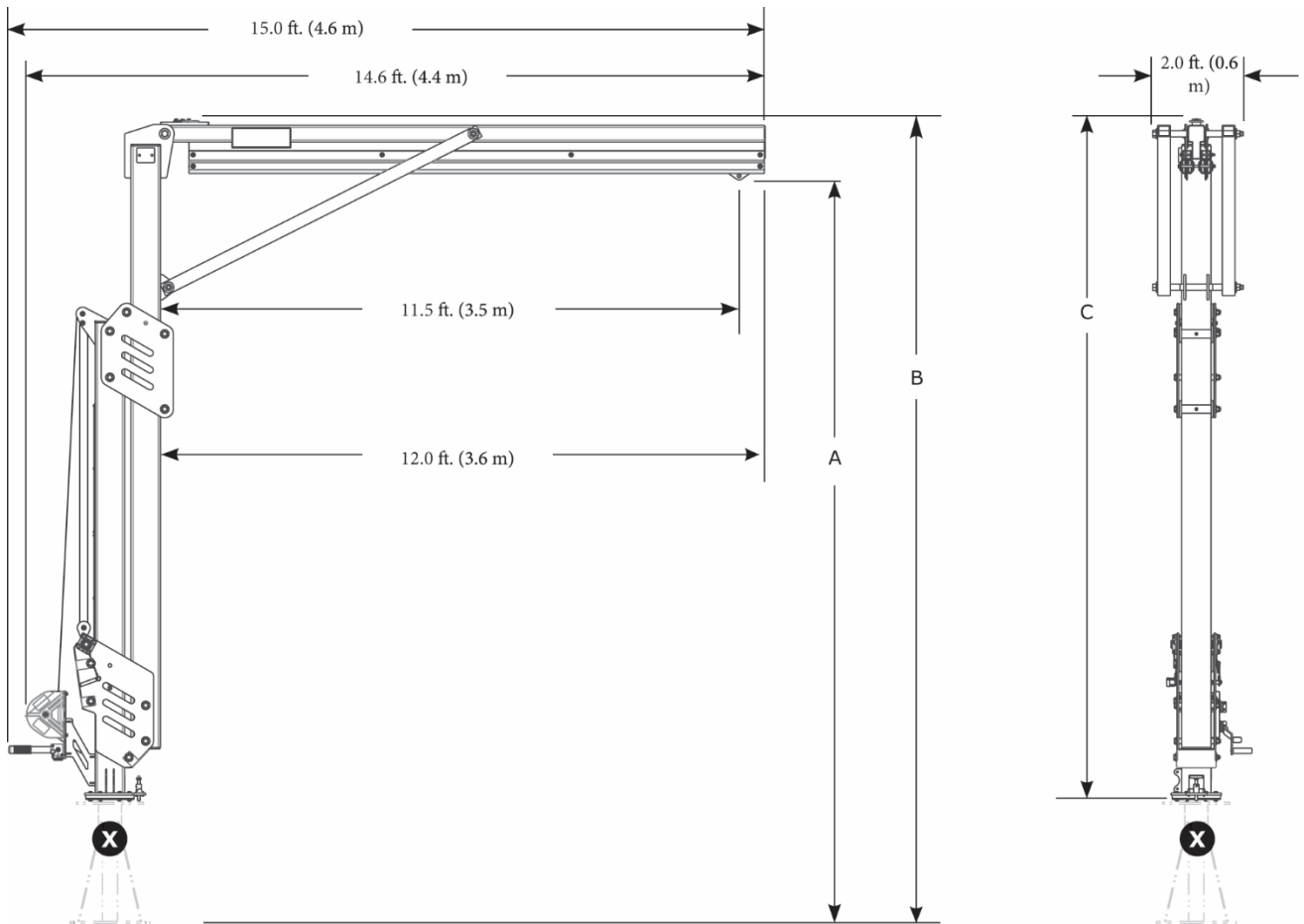
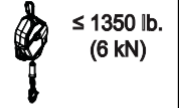
מספר חלק	מספר	תיאור	חומר	כמות
8	9515111	תווית M3	פוליאסטר	2
9	9515101	תווית סיבוב	פוליאסטר	1
10	8550398	עצירת סיבוב	אלומיניום	2
11	9515112	תווית משתמש	פוליאסטר	1

יישום:

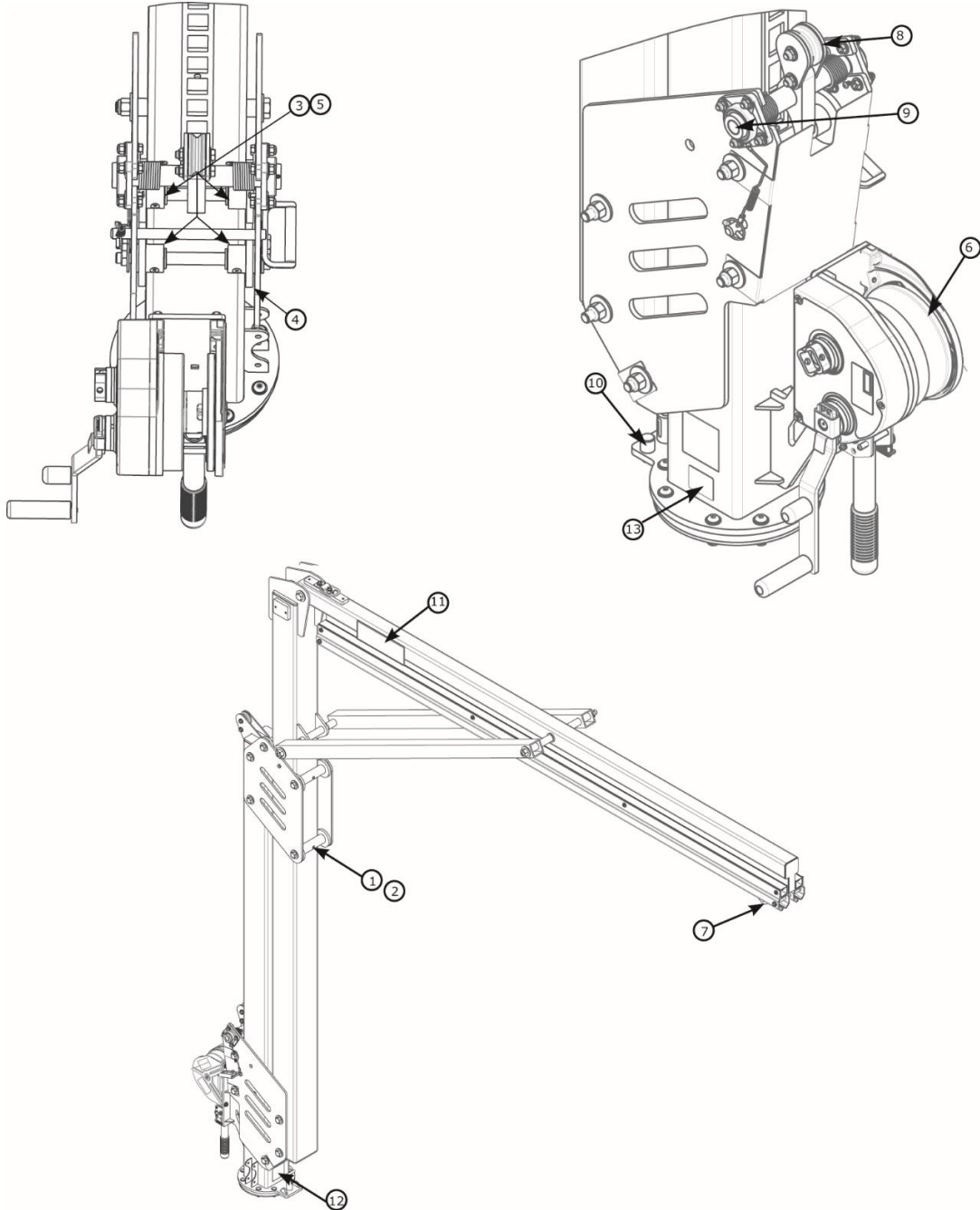
יישומהדביט מיועד לספק נקודות חיבור עגינה למערכת הגנה מפני נפילות.

למידע נוסף על התקנת המוצר, יש לעיין בהוראות המשתמש.

תקנים: E, OSHA 1910.140, OSHA 1926.502 סוג E, EN795:2012 סוג E, EN795:2012



	A	B	C	lb. (kg)
8530895	12.3 ft. – 15.0 ft. (3.8 m – 4.6 m)	13.4 ft. – 16.1 ft. (4.1 m – 4.9 m)	11.0 ft. – 13.7 ft. (3.4 m – 4.2 ft.)	1,011 lb. (459 kg)
8530896	14.8 ft. – 20.0 ft. (4.5 m – 6.1 m)	15.9 ft. – 21.1 ft. (4.8 m – 6.4 m)	13.5 ft. – 18.7 ft. (4.1 m – 5.7 m)	1,123 lb. (509 kg)
8530897	17.3 ft. – 25.0 ft. (5.3 m – 7.6 m)	18.4 ft. – 26.1 ft. (5.6 m – 8.0 m)	16.0 – 23.7 ft. (4.9 m – 7.2 m)	1,235 lb. (560 kg)
8530898	19.8 ft. – 30.0 ft. (6.0 m – 9.1 m)	20.9 ft. – 31.1 ft. (6.4 m – 9.5 m)	18.5 ft. – 28.7 ft. (5.6 m – 8.7 m)	1,343 lb. (609 kg)



רשימת רכיבים

מספר חלק	תיאור	חומר	כמות
1	8550046	גלגלת רחבה	3
2	8550047	מרווח גלגלת רחבה	3
3	8550327	גלגלת צרה	2
4	9514703	גלגלת צדדית	8
5	8550213	מרווח גלגלת צרה	2
6	8549930	כננת	1
7	8521711	עגלה	1

רשימת רכיבים

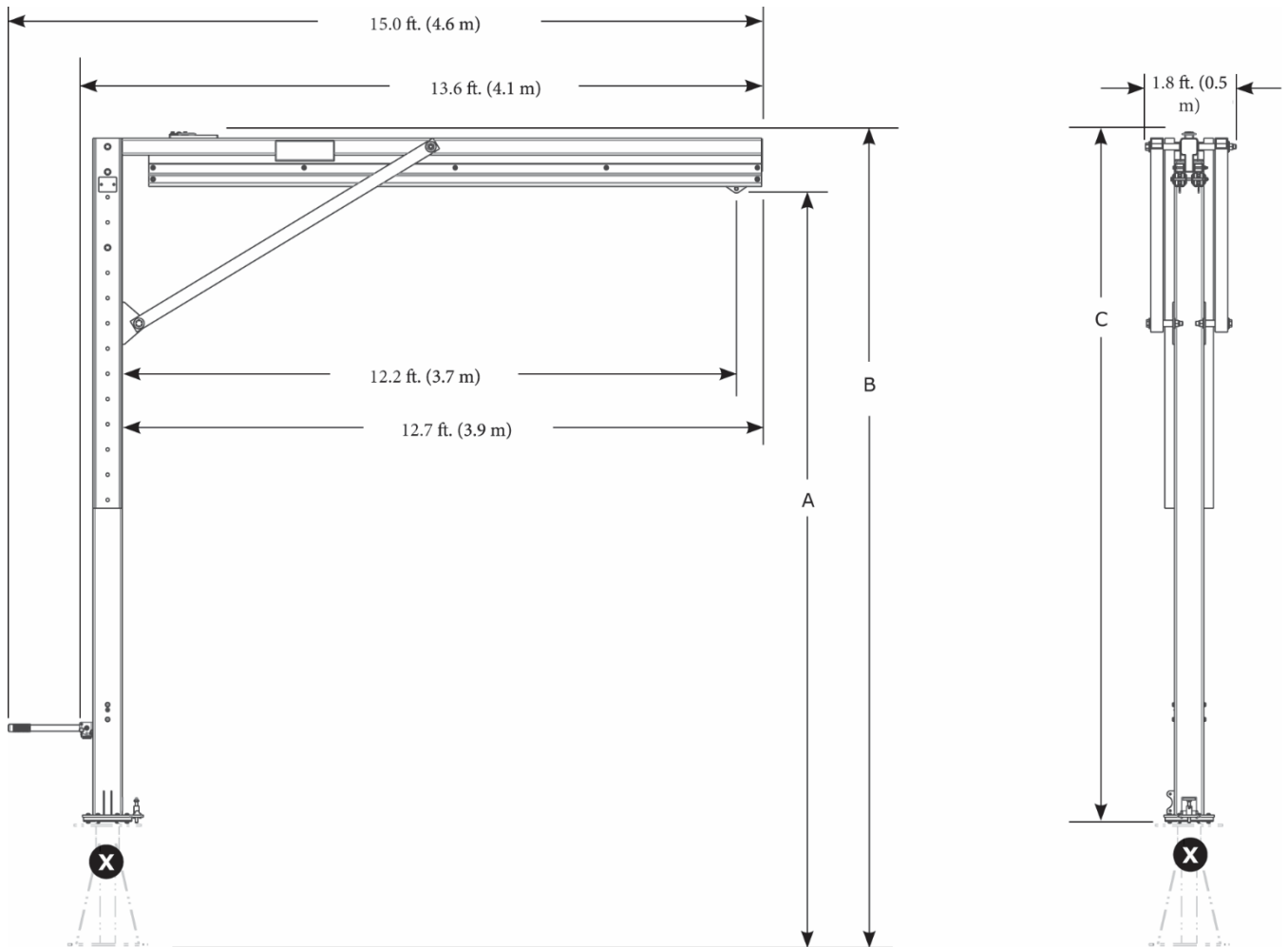
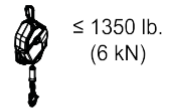
מספר חלק	תיאור	חומר	כמות
8	8550223	מנגנון נעילה (רק תיקון מורשה)	1
9	9515138	מיסבים	2
10	8550398	עצירת סיבוב	2
11	9515111	תווית M3	2
12	9515101	תווית סיבוב	1
13	9514429	תווית זיהוי	1
14	9515112	תווית משתמש	1

יישום:

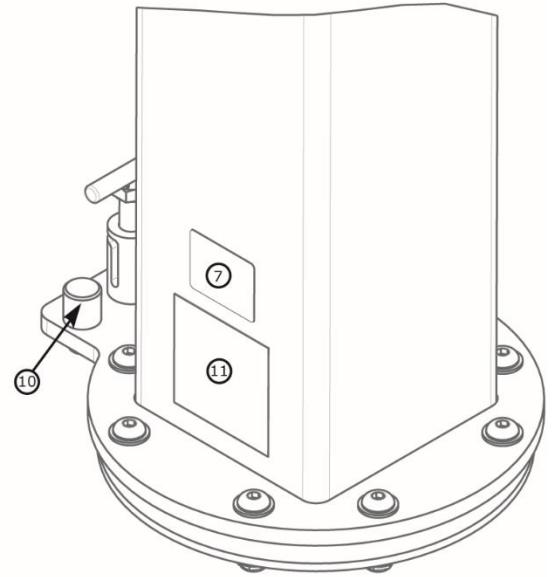
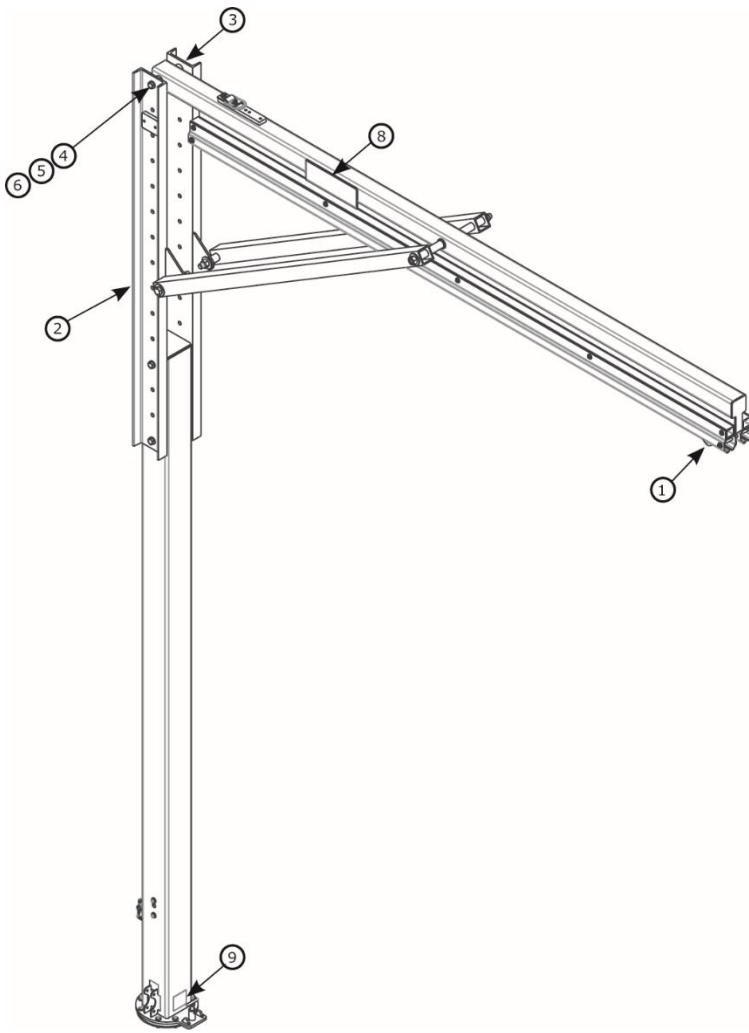
יישום הדביט מיועד לספק נקודות חיבור עגינה למערכת הגנה מפני נפילות.

למידע נוסף על התקנת המוצר, יש לעיין בהוראות המשתמש.

תקנים CEN/TS 16415:2013 סוג E, EN795:2012 סוג E, OSHA 1926.502, OSHA 1910.140



	A	B	C	lb. (kg)
8530902	15.0 ft. – 20.0 ft. (4.6 m – 6.1 m)	16.1 ft. – 21.1 ft. (4.9 m – 6.4 m)	13.7 ft. – 18.7 ft. (4.2 m – 5.7 m)	850 lb. (386 kg)
8530903	20.0 ft. – 25.0 ft. (6.1 m – 7.6 m)	21.1 ft. – 26.1 ft. (6.4 m – 7.9 m)	18.7 ft. – 23.7 ft. (5.7 m – 7.2 m)	961 lb. (436 kg)
8530904	25.0 ft. – 30.0 ft. (7.6 m – 9.1 m)	26.1 ft. – 31.1 ft. (7.9 m – 9.6 m)	23.7 ft. – 28.7 ft. (7.2 m – 8.7 m)	1,073 lb. (487 kg)



מספר חלק	תיאור	חומר	כמות
1	עגלה	פלדת אל-חלד, פלדה, ניילון	1
2	תעלת הרכבה לחילוץ	פלדה	1
3	תעלה	פלדה	1
4	בורג 9"3/4 x "	פלדה	2
5	דיסקית 3/4"	פלדה	4
6	אום 3/4"	פלדה	2
7	תווית זיהוי	פוליאסטר	1

מספר חלק	תיאור	חומר	כמות
8	תווית M3	פוליאסטר	2
9	תווית סיבוב	פוליאסטר	1
10	עצירת סיבוב	אלומיניום	2
11	תווית משתמש	פוליאסטר	1

בסיס משקל נגד M200

גיליון נתונים טכני 8530886, 8530887 :



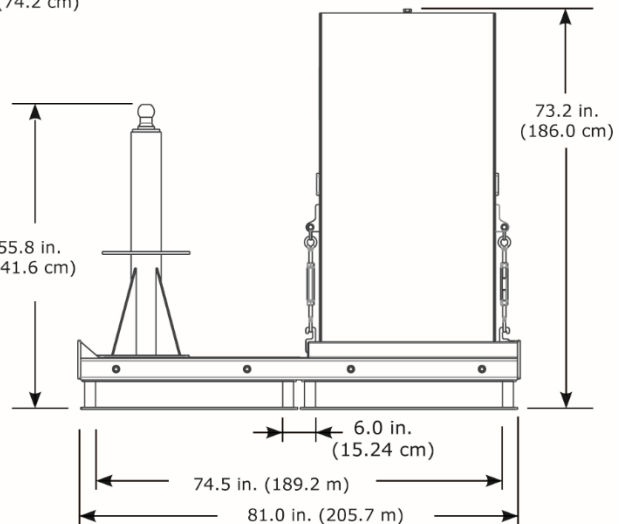
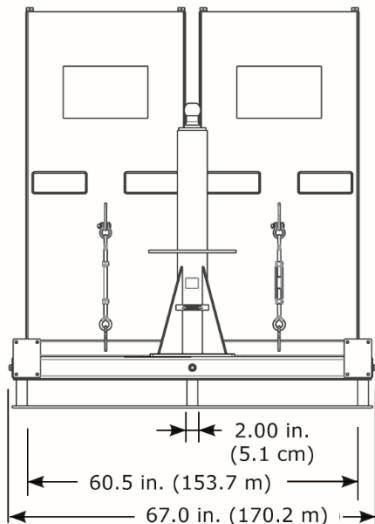
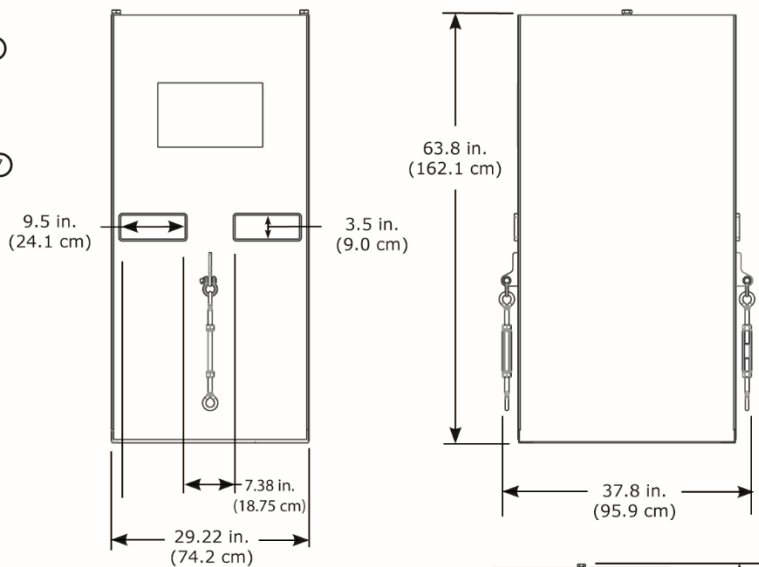
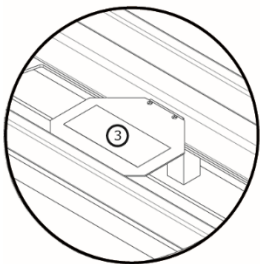
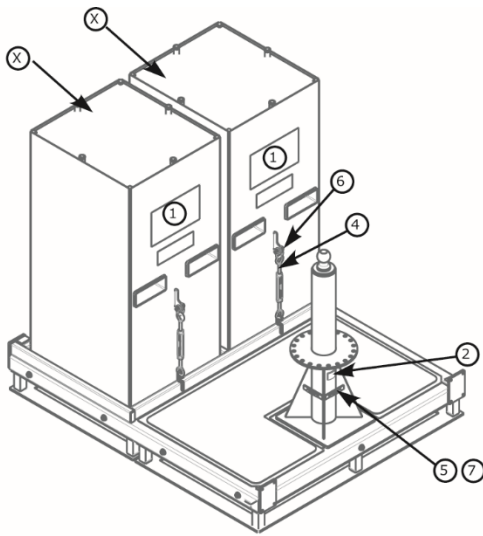
יישום:

בסיס הדביט מיועד לשמש כנקודת הרכבה למערכת הדביט. למידע נוסף על התקנת המוצר, יש לעיין בהוראות המשתמש.

תקנים CEN/TS 16415:2013 סוג E, EN795:2012 סוג E, OSHA 1926.502 סוג E, OSHA 1910.140

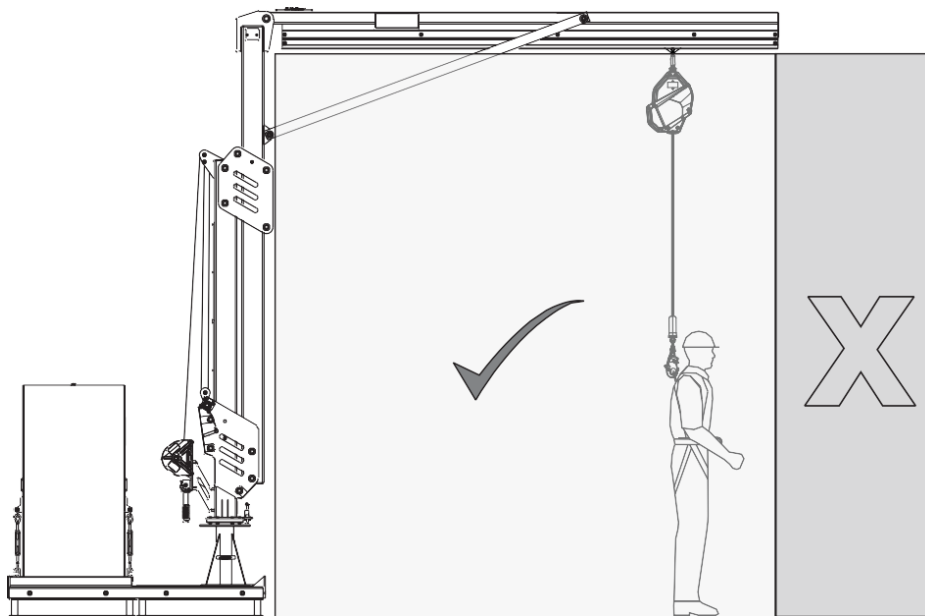
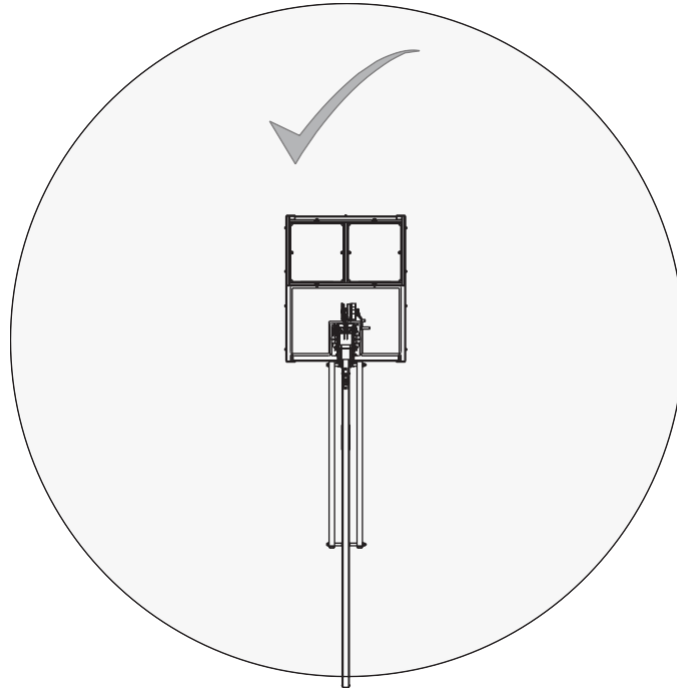
	X 4,000 psi (30 MPa)	דרישות מבנה מנוחה	משקל
8530886		14,645 lb. (6,643 kg)	2,407 lb. (1,092 kg)
8530887	✓	משקל זרוע ג'יב + M200	11,325 lb. (5,137 kg)

רשימת רכיבים				
	מספר חלק	תיאור	חומר	כמות
1	9515107	תווית משתמש	פוליאסטר	1
2	9514429	תווית זיהוי	פוליאסטר	1
3	9515106	תווית אזהרה	פוליאסטר	1
4	8520575	מותחן	פלדה	2
5	9513627	בורג #4	פלדה	4
6	9501794	שקל	פלדה	2
7	9515058	פלס בועה	פלסטיק	2
8	9515566	תווית אזהרה	פוליאסטר	4

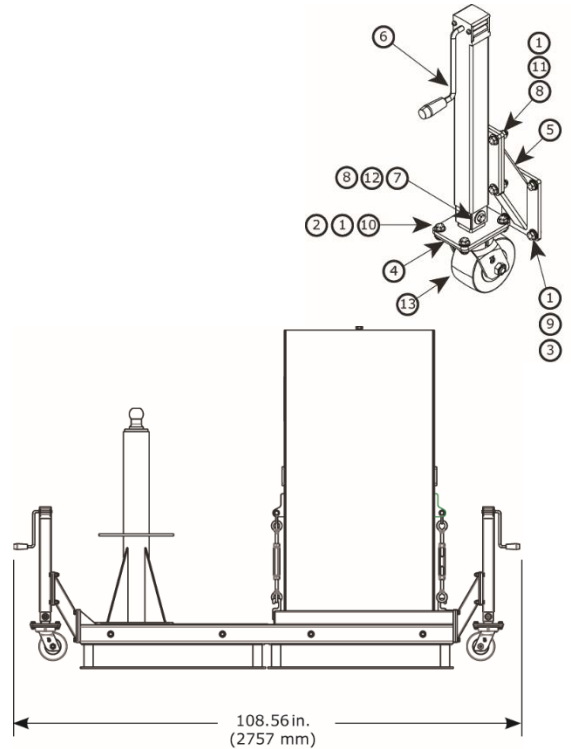


יישום:

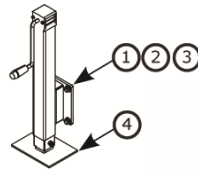
עיון בתרשים למטה עבור אזור העבודה של המוצר.



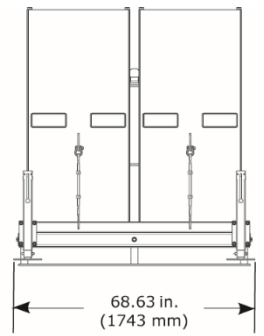
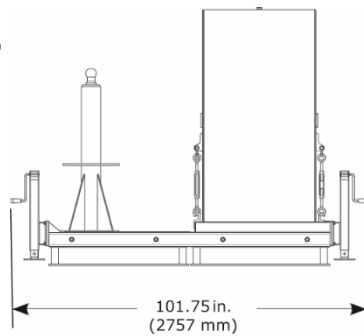
רשימת רכיבים				
מספר חלק	מספר	תיאור	חומר	כמות
1	8510037	דיסקית 1/2"	פלדה	80
2	8512460	בורג 1 1/4" x 1/2"	פלדה	16
3	8518432	בורג 1 1/2"	פלדה	16
4	8550153	ריתוך גלגל	פלדה	4
5	8550155	ריתוך בזווית	פלדה	4
6	8550156	ריתוך מותקן	פלדה	4
7	9501243	דיסקית 1/2"	פלדה	8
8	9501831	אום הקס 1/2"	פלדה	20
9	9504221	דיסקית 1/2"	פלדה	16
10	9504813	אום הקס 1/2"	פלדה	16
11	9509276	בורג 1 3/4" x 1/2"	פלדה	16
12	9510153	בורג 3 1/4" x 1/2"	פלדה	4
13	9515081	גלגל מסתובב	פלדה, פוליאוריתן	4



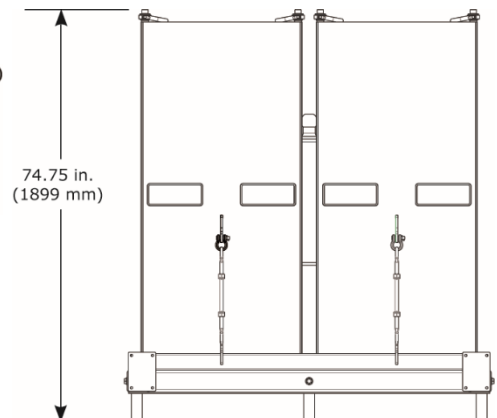
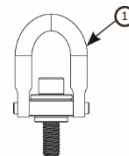
משקל	8530907	8530908	8530777
	108 lb. (49 kg)	152 lb. (69 kg)	12 lb. (5.4 kg)



מספר חלק	מספר	תיאור	חומר	כמות
1	9504221	דיסקית נעילה 1/2"	פלדה	16
2	8510037	דיסקית 1/2"	פלדה	16
3	8518432	בורג 1 1/2"	פלדה	16
4	8550177	ריתוך גלגל	פלדה	4





רשימת רכיבים				
מספר חלק	מספר	תיאור	חומר	כמות
1	9512574	טבעת הרמה	פלדה	4

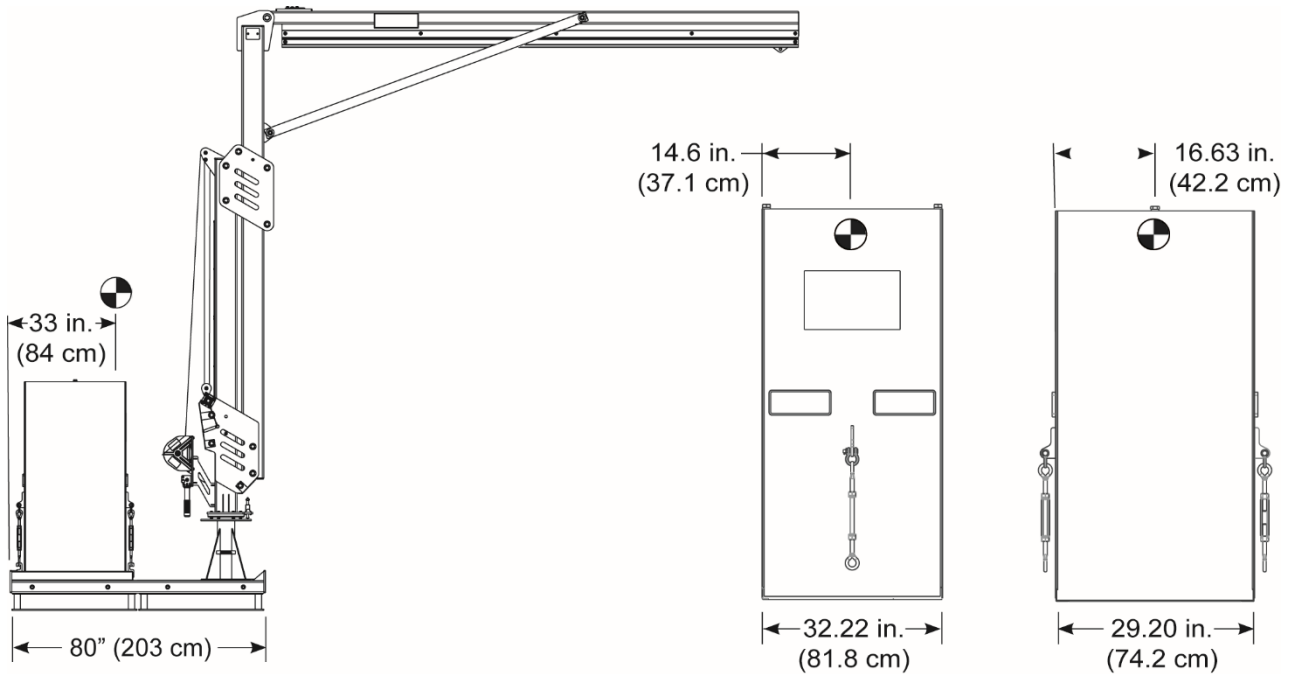



מרכז הכובד של בסיס משקל נגד M200
 גיליון נתונים טכני 8530886, 8530887 :




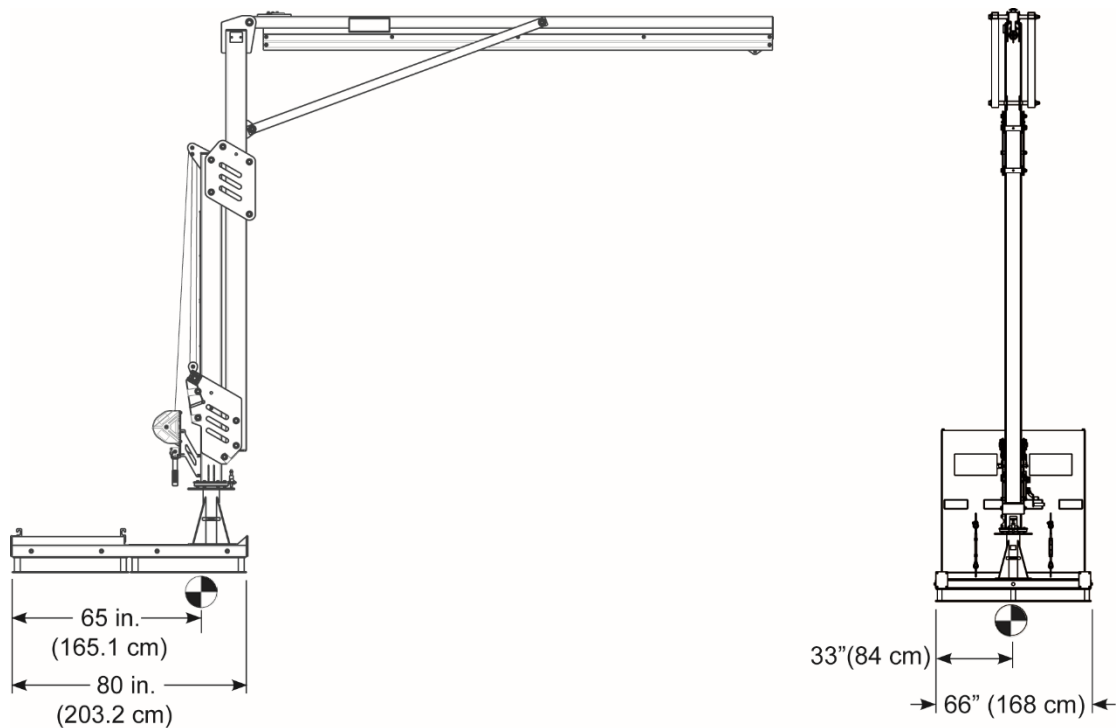
8530887	8530898
 .lb (kg)	12,668 lbs. (5,746 kg)

 .lb (kg)	5,000 lbs. (2,268 kg)
--	--------------------------



8530887	8530898
 .lb (kg)	2,668 lbs. (1,210 kg)

8530887	8530898
 .lb (kg)	12,668 lbs. (5,746 kg)



M200 בסיס הרכבה לרצפה
גיליון נתונים טכני 8530888 :



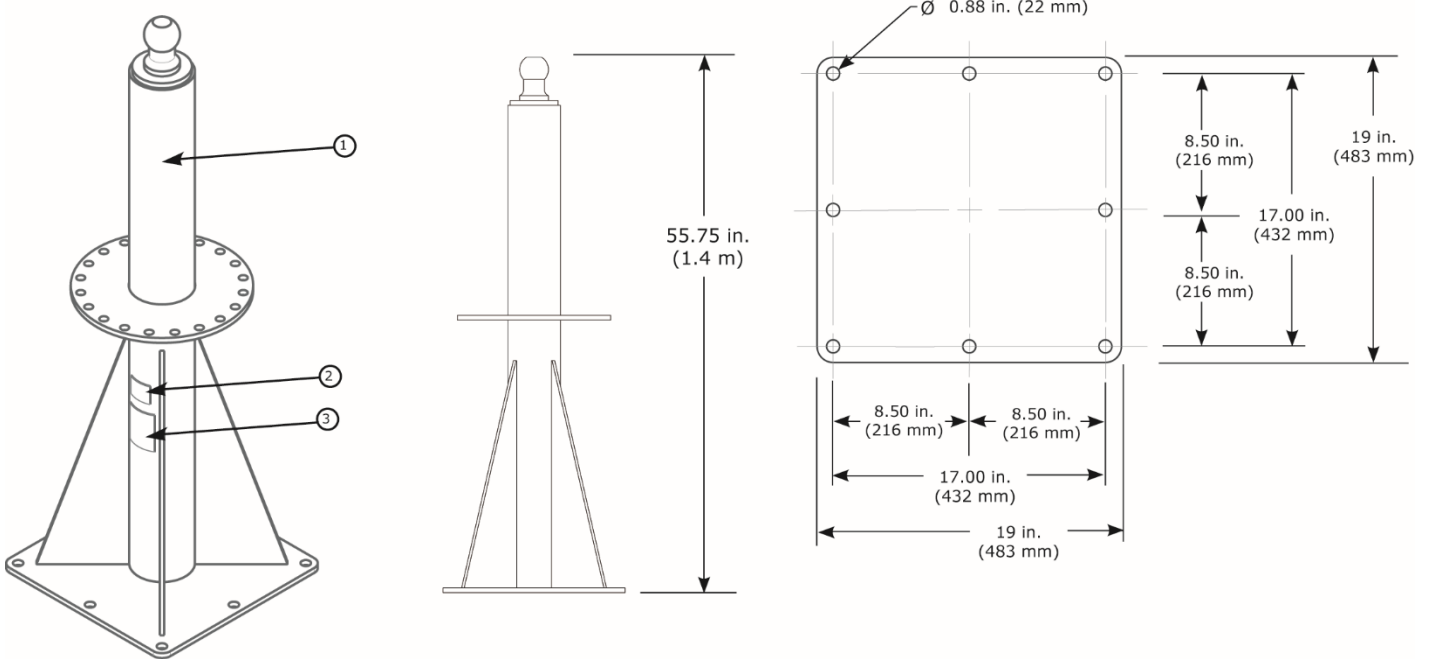
יישום:

בסיס הדביט מיועד לשמש כנקודת הרכבה למערכת הדביט.

למידע נוסף על התקנת המוצר, יש לעיין בהוראות המשתמש.

תקנים CEN/TS 16415:2013 סוג A, EN795:2012 סוג A, OSHA 1926.502 סוג A, OSHA 1910.140

	משקל
8530888	265 lb. (120 kg)



רשימת רכיבים				
	מספר חלק	תיאור	חומר	כמות
1	8549921	ריתוך בסיס	פלדה	1
2	9514429	תווית זיהוי	פוליאסטר	1
3	9515114	תווית משתמש	פוליאסטר	1

דרישות התקנה		
כוח שליפה מינימלי של מחבר	עומס מומנט מינימלי של מבנה התקנה	עומס אנכי מינימלי של מבנה התקנה
9,386 lb. (4,257 kg)	501,633 in-lb. (56,677 N-m)	משקל + 3,320 lb. (1,506 kg) M200 משקל זרוע ג'יב + בסיס

M200 בסיס הרכבה שקוע
 גיליון נתונים טכני **8530889, 8530920, 8530921**

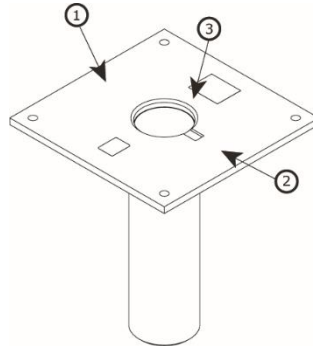


יישום:

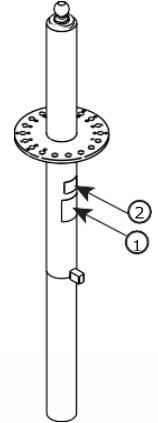
בסיס הדביט מיועד לשמש כנקודת הרכבה למערכת הדביט. למידע נוסף על התקנת המוצר, יש לעיין בהוראות המשתמש.

תקנים: **CEN/TS 16415:2013, EN795:2012** סוג: **OSHA 1910.140, OSHA 1926.502**

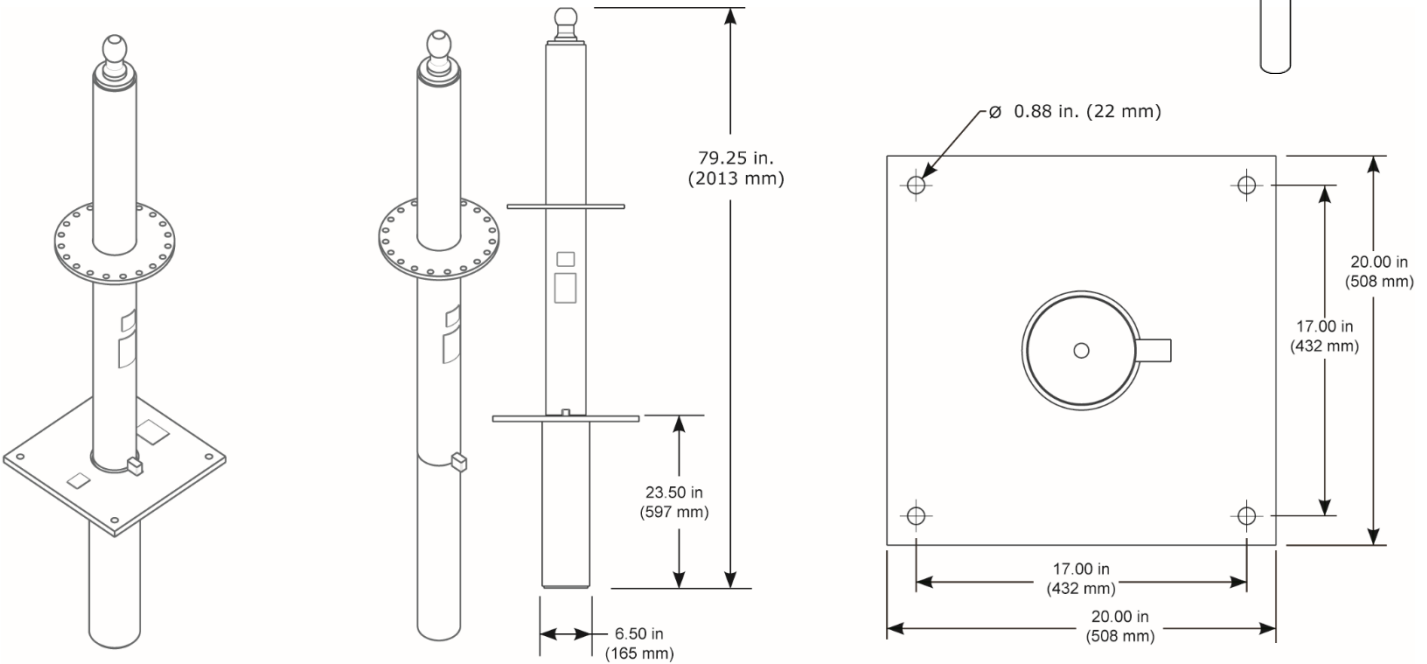
	משקל
8530920	140 lb. (64 kg)



	משקל
8530921	237 lb. (107 kg)



	משקל
8530889	377 lb. (171 kg)

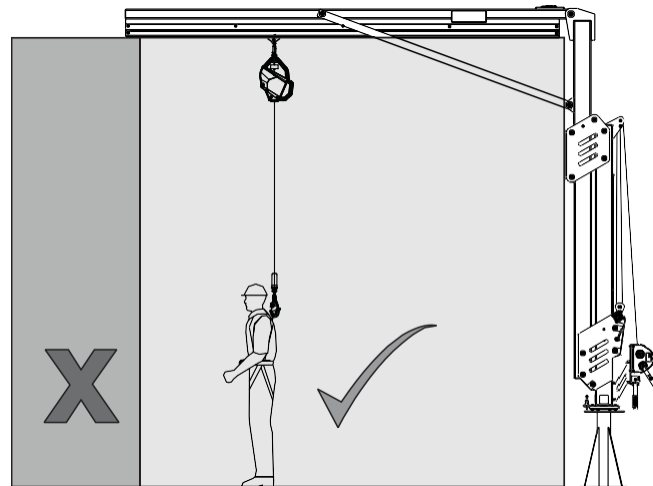
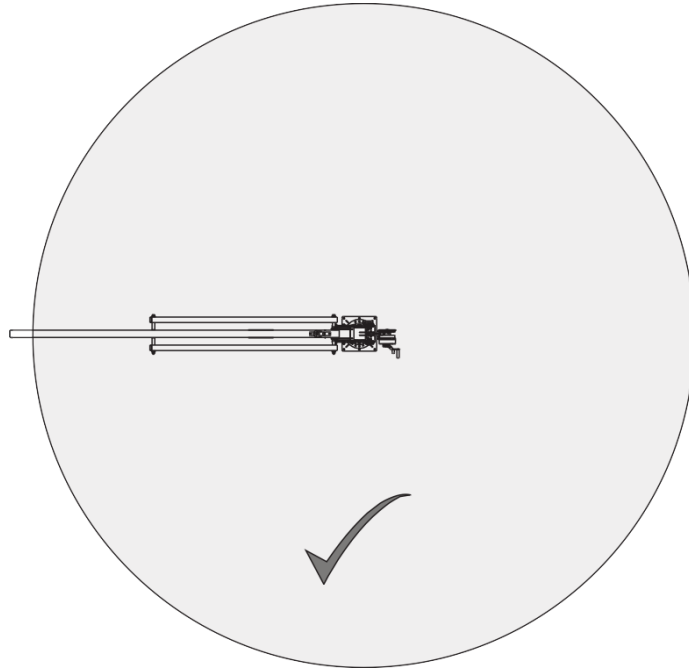


רשימת רכיבים				
כמות	חומר	תיאור	מספר חלק	
1	פוליאסטר	תווית משתמש	9515114	1
1	פוליאסטר	תווית זיהוי	9514429	2
1	אלומיניום, גומי	כיסוי בסיס	8550165	3

דרישות התקנה	
עומס אנכי מינימלי של מבנה התקנה	עומס מומנט מינימלי של מבנה התקנה
משקל + 3,320 lb. (1,506 kg)	501,633 in-lb. (56,677 N-m)
M200 משקל זרוע ג'יב + בסיס	

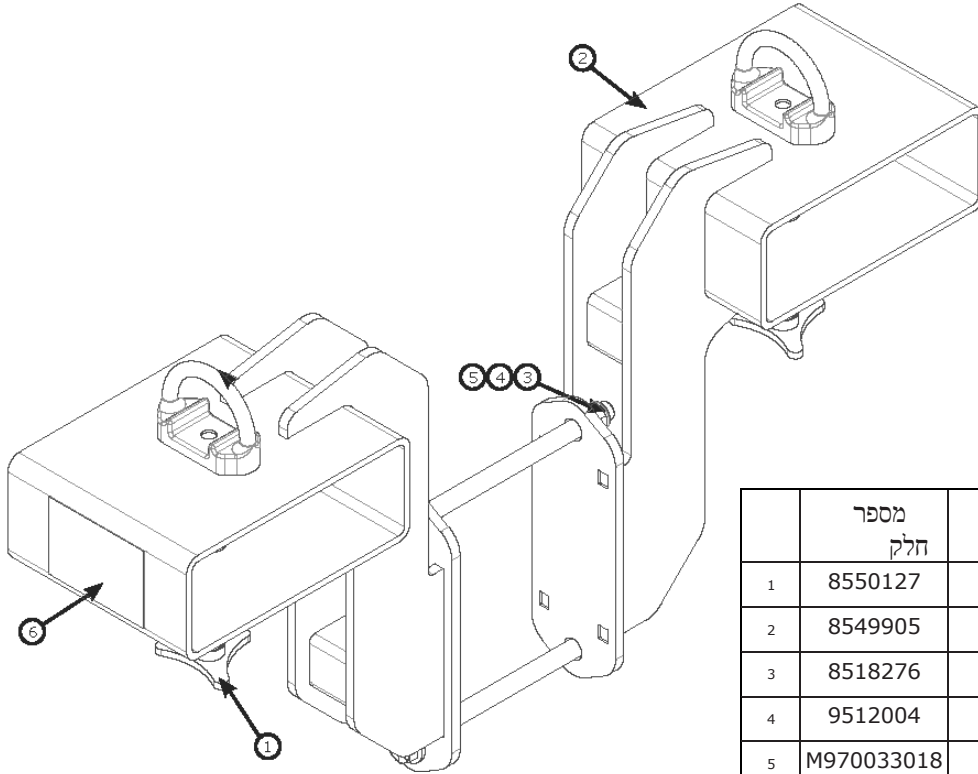
יישום:

עייך בתרשים למטה עבור אזור העבודה של המוצר.

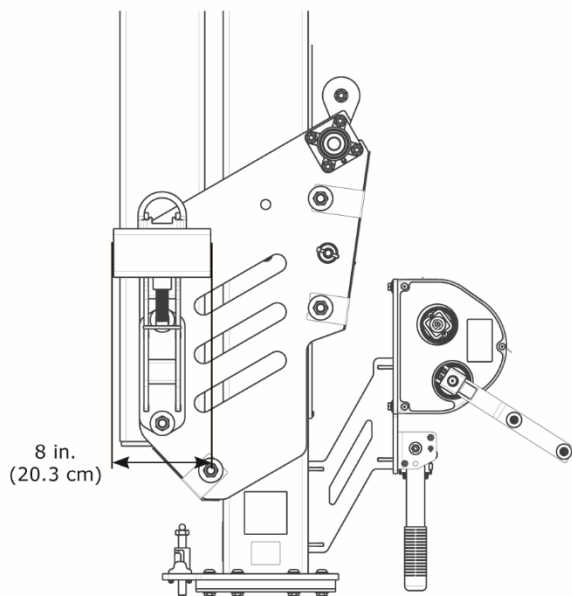
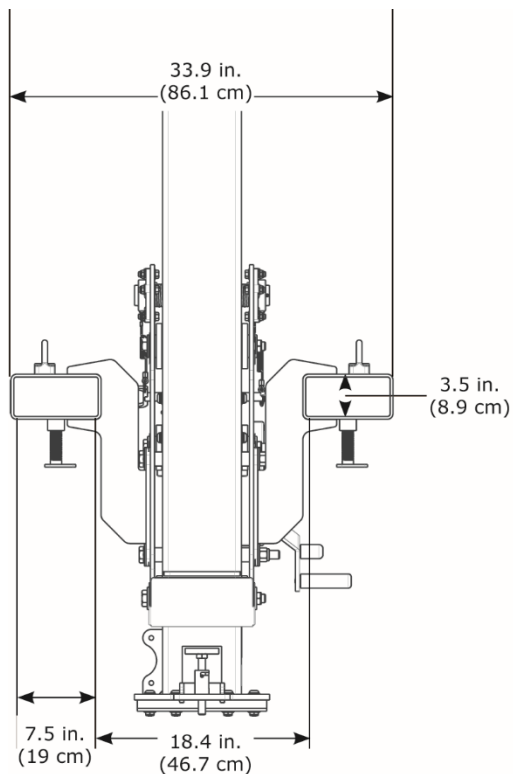


יישום:

ערכת כיס למזלג זו מיועדת להובלת דגמי הדביט המופעלים באמצעות כננת 8530891-8530898. למידע נוסף על התקנת רכיבים, יש לעיין בהוראות המשתמש.

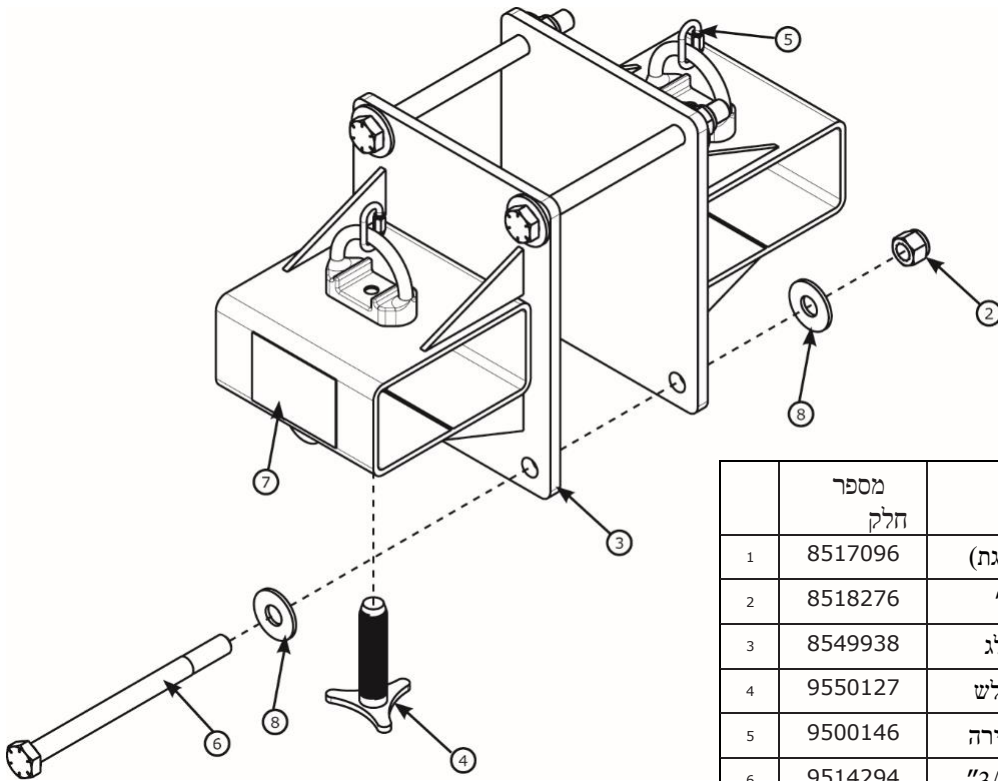


מספר חלק	מספר	רכיב	כמות
1	8550127	בורג משולש	2
2	8549905	ריתוך כיס למזלג	2
3	8518276	אום הקס 3/4"	2
4	9512004	בורג 12" X 3/4"	2
5	M970033018	דיסקית 3/4"	4
6	9515122	תווית משתמש	1
	9500146	חוליית שרשרת	2
	8517096	שרשרת	10 ft.

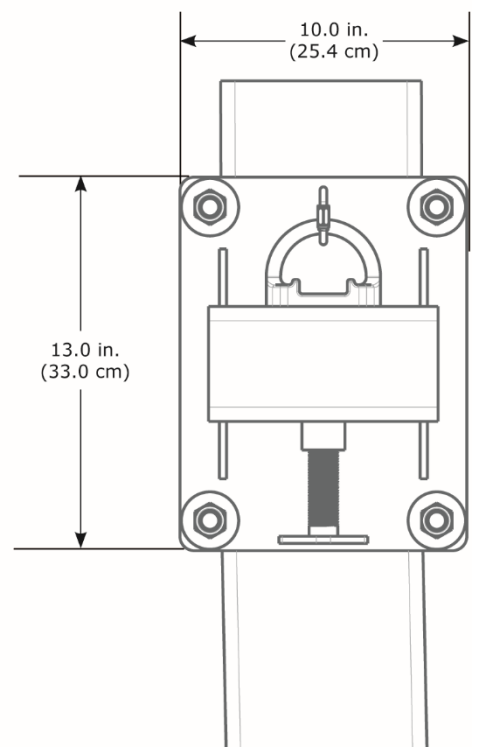
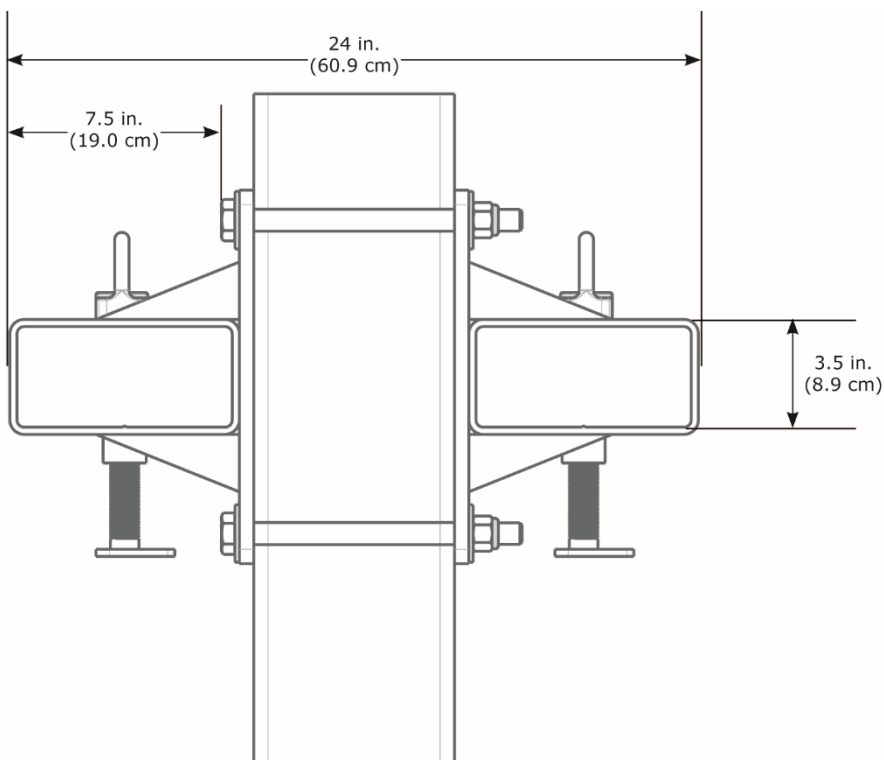


יישום:

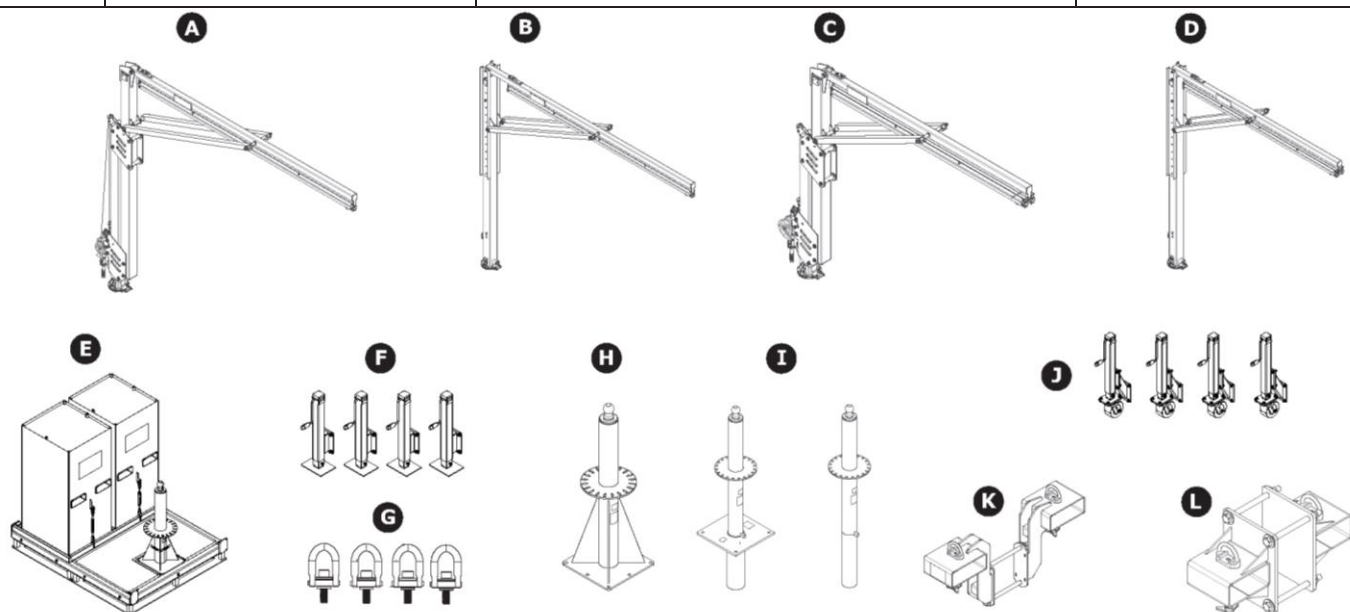
ערכת כיס למזלג זו מיועדת להובלת הדביט עם דגמי תעלת כוונון 8530904-8530899. למידע נוסף על התקנת רכיבים, יש לעיין בהוראות המשתמש.



ממות	רכיב	מספר חלק
10 ft.	שרשרת (לא מוצגת)	8517096
4	אום הקס 3/4"	8518276
2	ריתוך כיס למזלג	8549938
2	ריתוך בורג משולש	9550127
2	חוליית חיבור מהירה	9500146
4	בורג ראש הקס 3/4"	9514294
1	תווית אזהרה	9515573
8	דיסקית 3/4"	M970033018



Isticanje	Tehnički list	Opis	Stranica
A	8530891	12,3 ft.–15 ft. (3,8 m–4,6 m) Podesiva dizalica	218
	8530892	14,8 ft.–20 ft. (4,5 m–6,1 m) Podesiva dizalica	218
	8530893	17,3 ft.–25 ft. (5,3 m–7,6 m) Podesiva dizalica	218
	8530894	19,8 ft.–30 ft. (6,1 m–9,1 m) Podesiva dizalica	218
B	8530899	15 ft.–20 ft. (4,6 m–6,1 m) Polufiksna dizalica	220
	8530900	20 ft.–25 ft. (6,1 m–7,6 m) Polufiksna dizalica	220
	8530901	25 ft.–30 ft. (7,6 m–9,1 m) Polufiksna dizalica	220
C	8530895	12,3 ft.–15 ft. (3,8 m–4,6 m) Podesiva dizalica	222
	8530896	14,8 ft.–20 ft. (4,5 m–6,1 m) Podesiva dizalica	222
	8530897	17,3 ft.–25 ft. (5,3 m–7,6 m) Podesiva dizalica	222
	8530898	19,8 ft.–30 ft. (6,1 m–9,1 m) Podesiva dizalica	222
D	8530902	15 ft.–20 ft. (4,6 m–6,1 m) Polufiksna dizalica	224
	8530903	20 ft.–25 ft. (6,1 m–7,6 m) Polufiksna dizalica	224
	8530904	25 ft.–30 ft. (7,6 m–9,1 m) Polufiksna dizalica	224
E	8530886	Nepopunjena baza protutege	226
	8530887	Popunjena baza protutege	226
F	8530907	Dizalice baze protutege	228
G	8530777	Prsteni za podizanje baze protutege	228
H	8530888	Baza za montažu na pod	230
I	8530889, 8530920, 8530921	Baza za montažu u ravni	231
J	8530908	Kotači baze protutege	228
K	8530912	Kit za džep vilice	233
L	8530925	Kit za džep vilice	234



Podesiva dizalica

TEHNIČKI LIST: 8530891–8530894



PRIMJENA:

Davit je dizajniran za pružanje točaka za povezivanje sidrišta za sustav zaštite od pada.

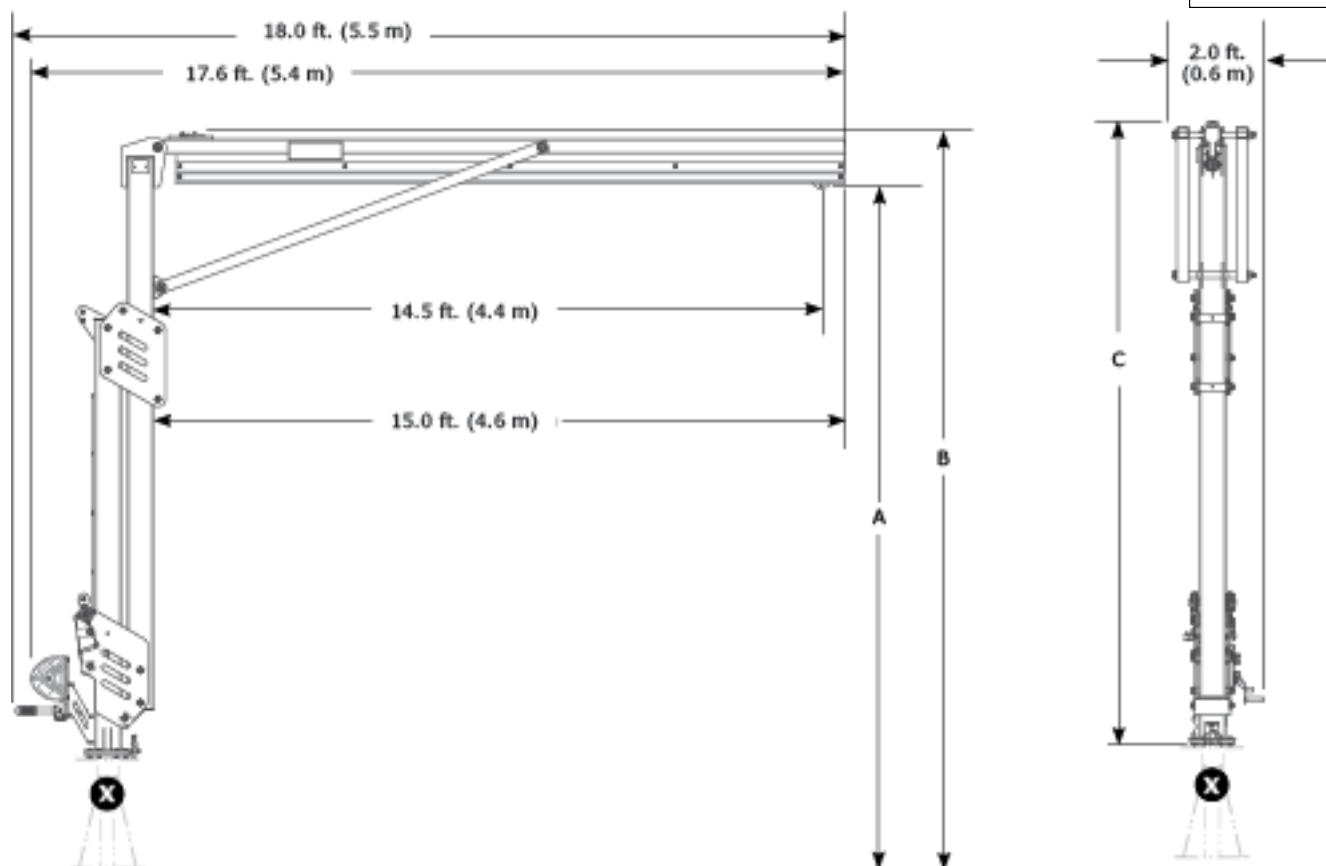
Za više informacija o instalaciji proizvoda, pogledajte upute za korisnike.

Standardi: EN795:2012 Tip E, OSHA 1910.140, OSHA 1926.502

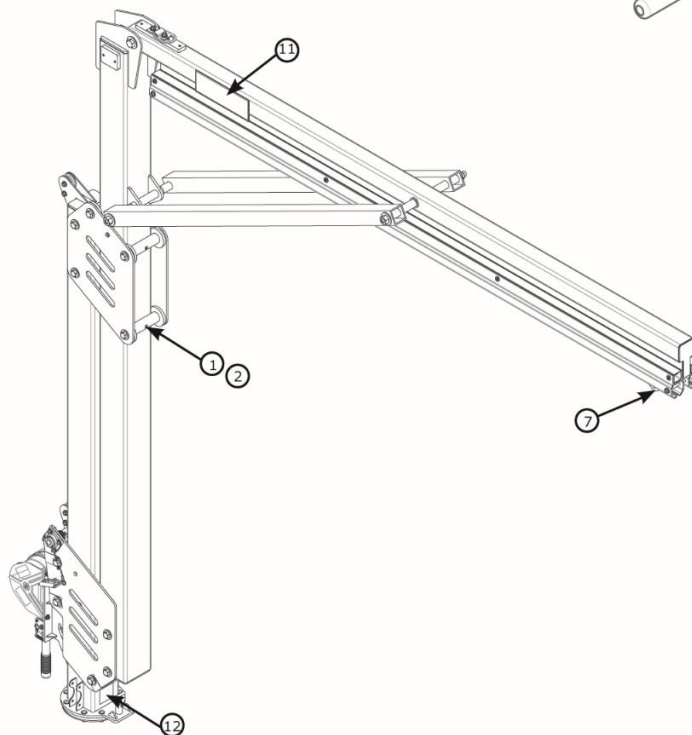
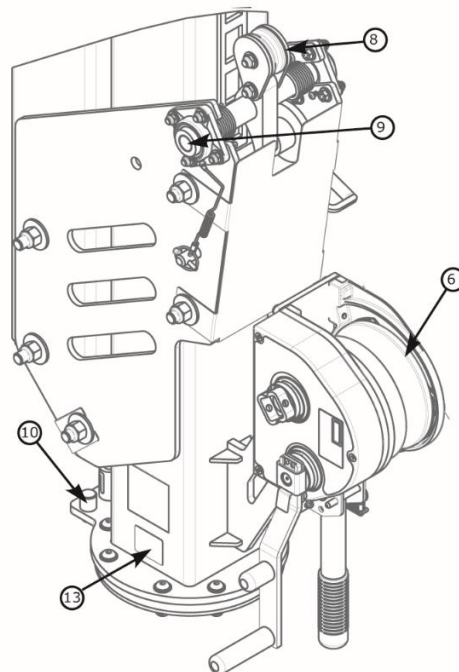
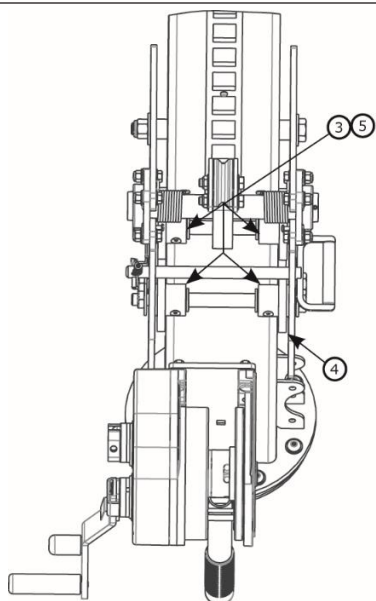
≤ 1350 lb.
(6 kN)

≤ 310 lb.
(140 kg)

1x



	A	B	C	lb. (kg)
8530891	12.3 ft. – 15.0 ft. (3.8 m – 4.6 m)	13.4 ft. – 16.1 ft. (4.1 m – 4.9 m)	9.8 ft. – 14.8 ft. (3.0 m – 4.5 ft.)	945 lb. (429 kg)
8530892	14.8 ft. – 20.0 ft. (4.5 m – 6.1 m)	15.9 ft. – 21.1 ft. (4.8 m – 6.4 m)	13.5 ft. – 18.7 ft. (4.1 m – 5.7 m)	1,057 lb. (479 kg)
8530893	17.3 ft. – 25.0 ft. (5.3 m – 7.6 m)	18.4 ft. – 26.1 ft. (5.6 m – 8.0 m)	16.0 – 23.7 ft. (4.9 m – 7.2 m)	1,169 lb. (530 kg)
8530894	19.8 ft. – 30.0 ft. (6.0 m – 9.1 m)	20.9 ft. – 31.1 ft. (6.4 m – 9.5 m)	18.5 ft. – 28.7 ft. (5.6 m – 8.7 m)	1,281 lb. (581 kg)



Popis komponenti				
	Broj dijela	Opis	Materijal	Količina
1	8550046	Široki valjak	Najlon	3
2	8550047	Razmaknica a širokog valjka	Nehrđajući čelik 304	3
3	8550327	Uski valjak	Najlon	2
4	9514703	Bočni valjak	Najlon	8
5	8550213	Razmaknica uskog valjka	Nehrđajući čelik 304	2
6	8549930	Vitlo	Čelik	1
7	8521711	Kolica	Čelik, Najlon	1

Popis komponenti				
	Broj dijela	Opis	Materijal	Količina
8	8550223	Mehanizam zaključavanja (samo ovlaštenu popravak)	Čelik, Najlon	1
9	9515138	Ležajevi	Čelik	2
10	8550398	Zaustavljač rotacije	Aluminij	2
11	9515111	3M naljepnica	Poliester	2
12	9515101	Naljepnica za rotaciju	Poliester	1
13	9514429	ID naljepnica	Poliester	1
14	9515112	Korisnička naljepnica	Poliester	1

Polufiksni davit

TEHNIČKI LIST: 8530899-8530901





PRIMJENA:

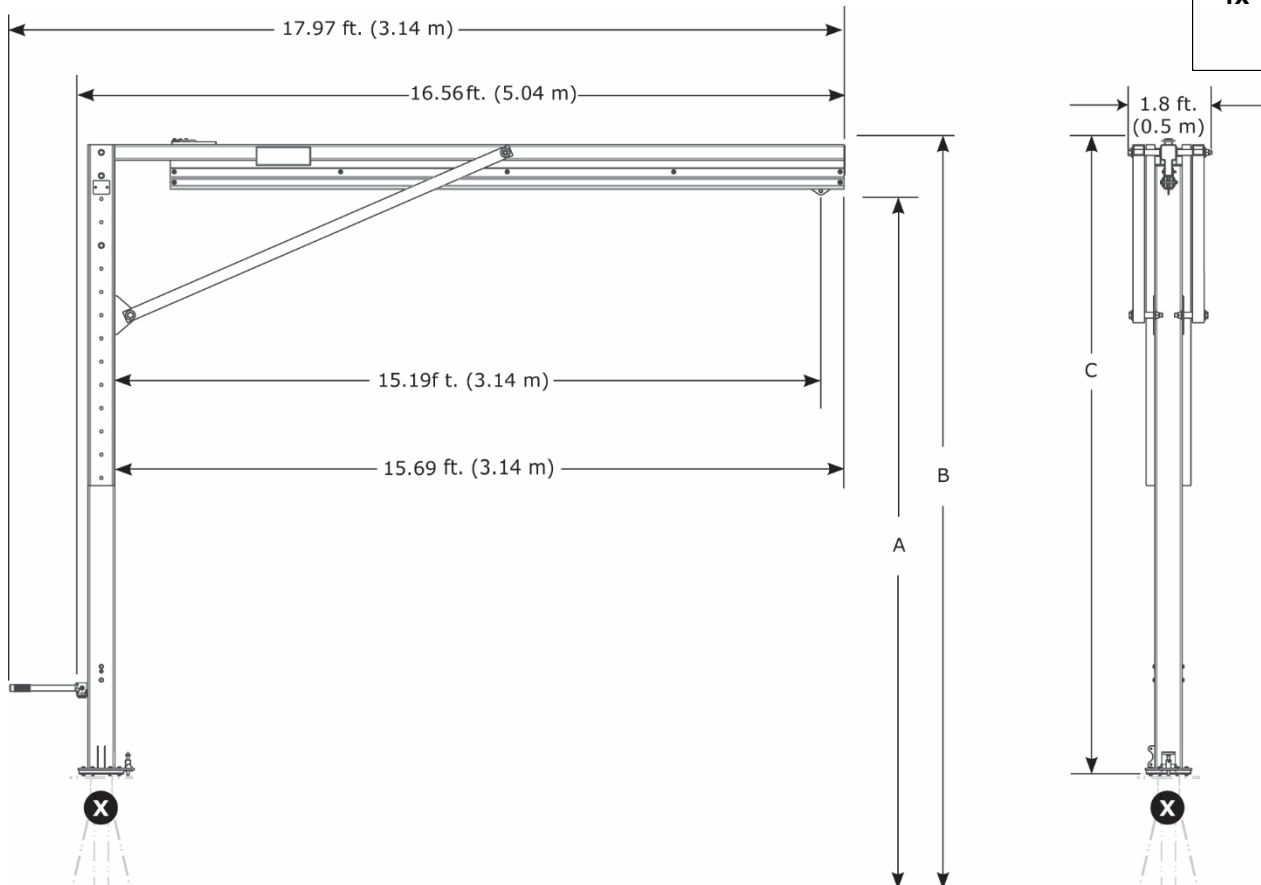
Davit je dizajniran za pružanje točaka za povezivanje sidrišta za sustav zaštite od pada.

Za više informacija o instalaciji proizvoda, pogledajte upute za korisnike.

Standardi: EN795:2012 Tip E, OSHA 1910.140, OSHA 1926.502

 ≤ 1350 lb.
(6 kN)

 1x ≤ 310 lb.
(140 kg)



	A	B	C	lb. (kg)
8530899	15.0 ft. – 20.0 ft. (4.6 m – 6.1 m)	16.1 ft. – 21.1 ft. (4.9 m – 6.4 m)	13.7 ft. – 18.7 ft. (4.2 m – 5.7 m)	818 lb. (371 kg)
8530900	20.0 ft. – 25.0 ft. (6.1 m – 7.6 m)	21.1 ft. – 26.1 ft. (6.4 m – 7.9 m)	18.7 ft. – 23.7 ft. (5.7 m – 7.2 m)	930 lb. (422 kg)
8530901	25.0 ft. – 30.0 ft. (7.6 m – 9.1 m)	26.1 ft. – 31.1 ft. (7.9 m – 9.6 m)	23.7 ft. – 28.7 ft. (7.2 m – 8.7 m)	1,041 lb. (472 kg)
+6" (152 mm) inkrementi podešavanja				

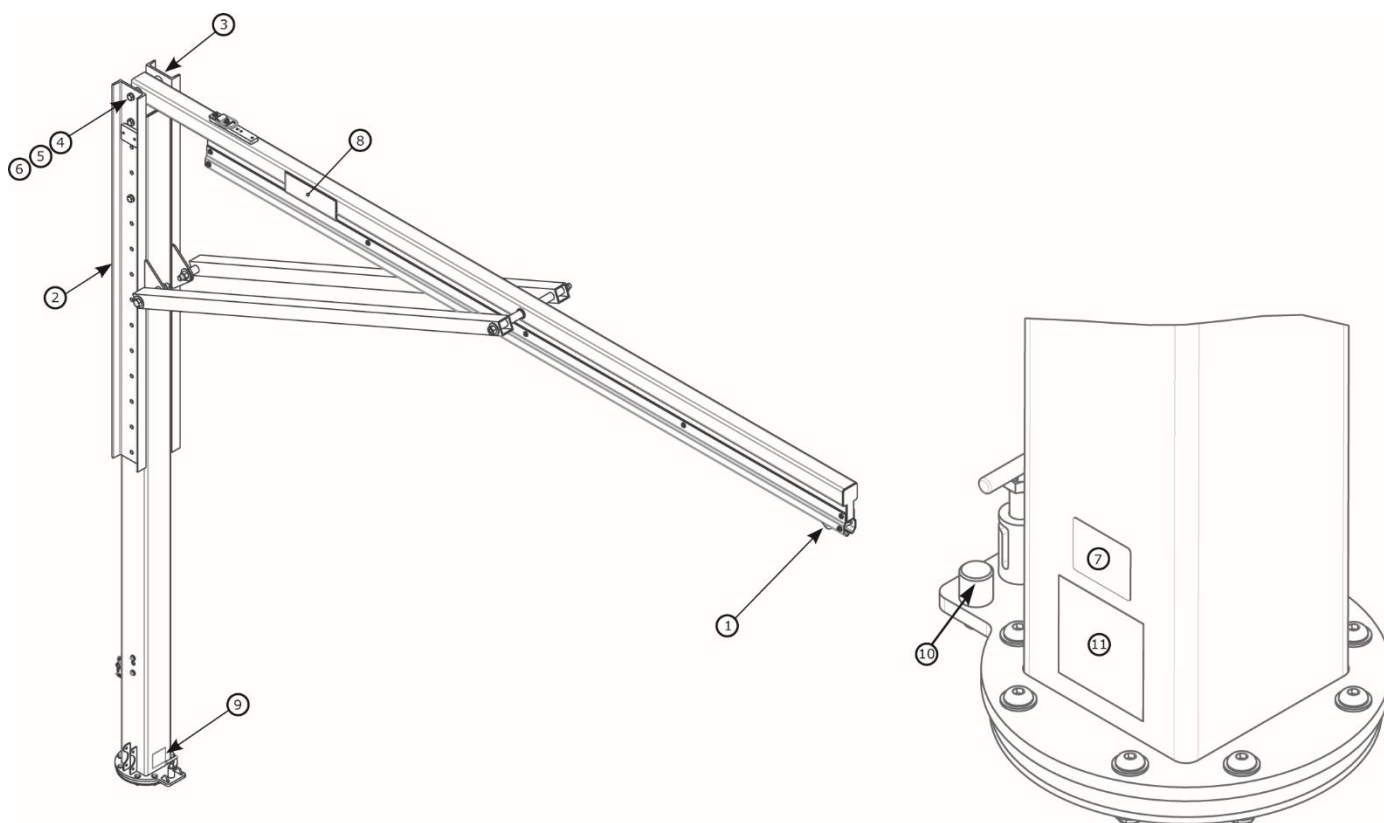
Komponente polufiksnoh davita

TEHNIČKI LIST: 8530899-8530901

3M

DBI
SALA

Fall Protection



	Broj dijela	Opis	Materijal	Količina
1	8521711	Kolica	Nehrđajući čelik, Čelik, Najlon	1
2	8549933	Kanal za spašavanje	Čelik	1
3	8550248	Kanal	Čelik	1
4	8526654	Vijak 3/4" x 9"	Čelik	2
5	8522275	Podloška 3/4"	Čelik	4
6	8518276	Matica 3/4"	Čelik	2
7	9514429	ID naljepnica	Poliester	1

	Broj dijela	Opis	Materijal	Količina
8	9515111	3M naljepnica	Poliester	2
9	9515101	Naljepnica za rotaciju	Poliester	1
10	8550398	Zaustavljač rotacije	Aluminij	2
11	9515112	Korisnička naljepnica	Poliester	1

Podesivi davit

TEHNIČKI LIST: 8530895–8530898

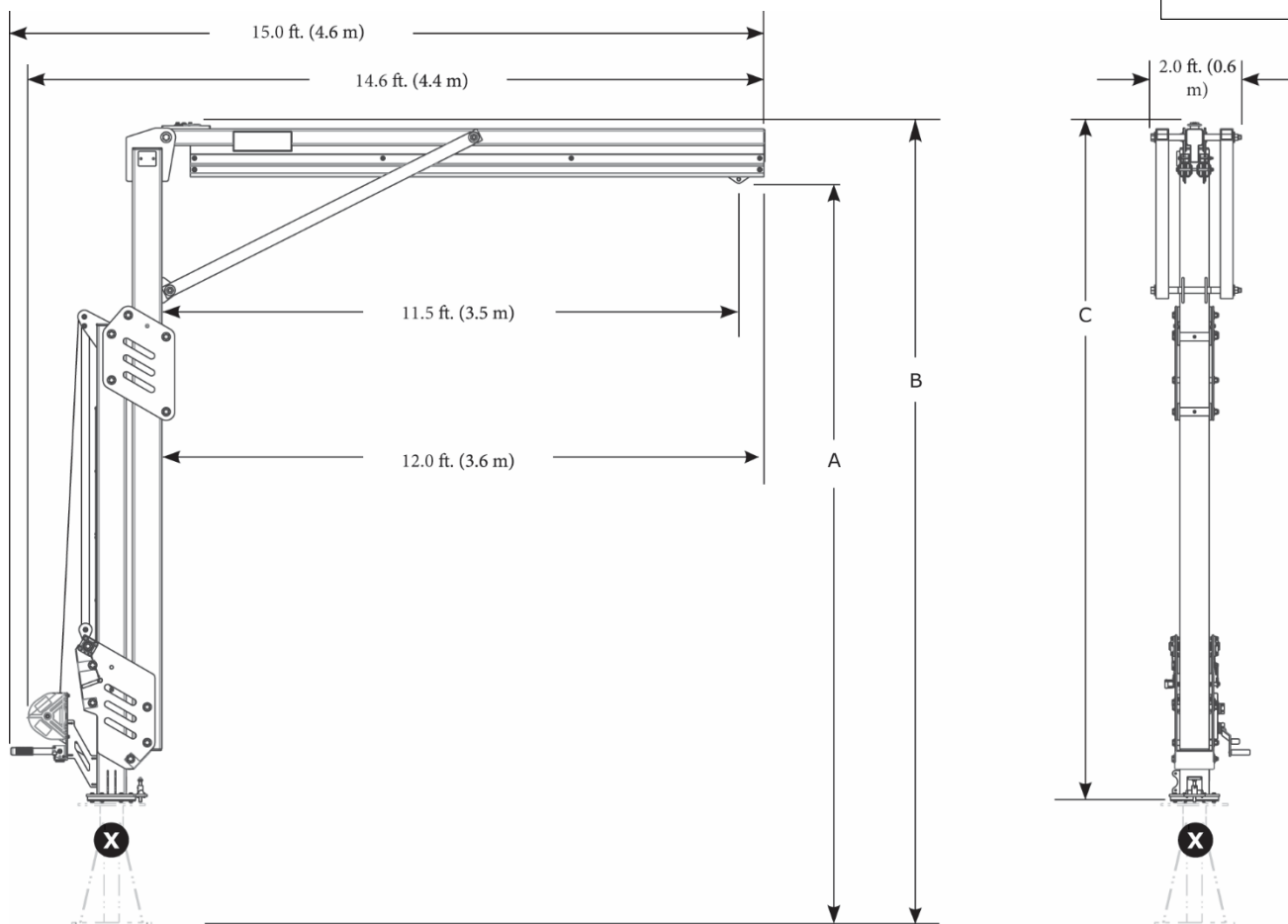
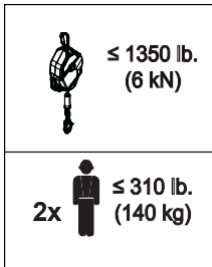


PRIMJENA:

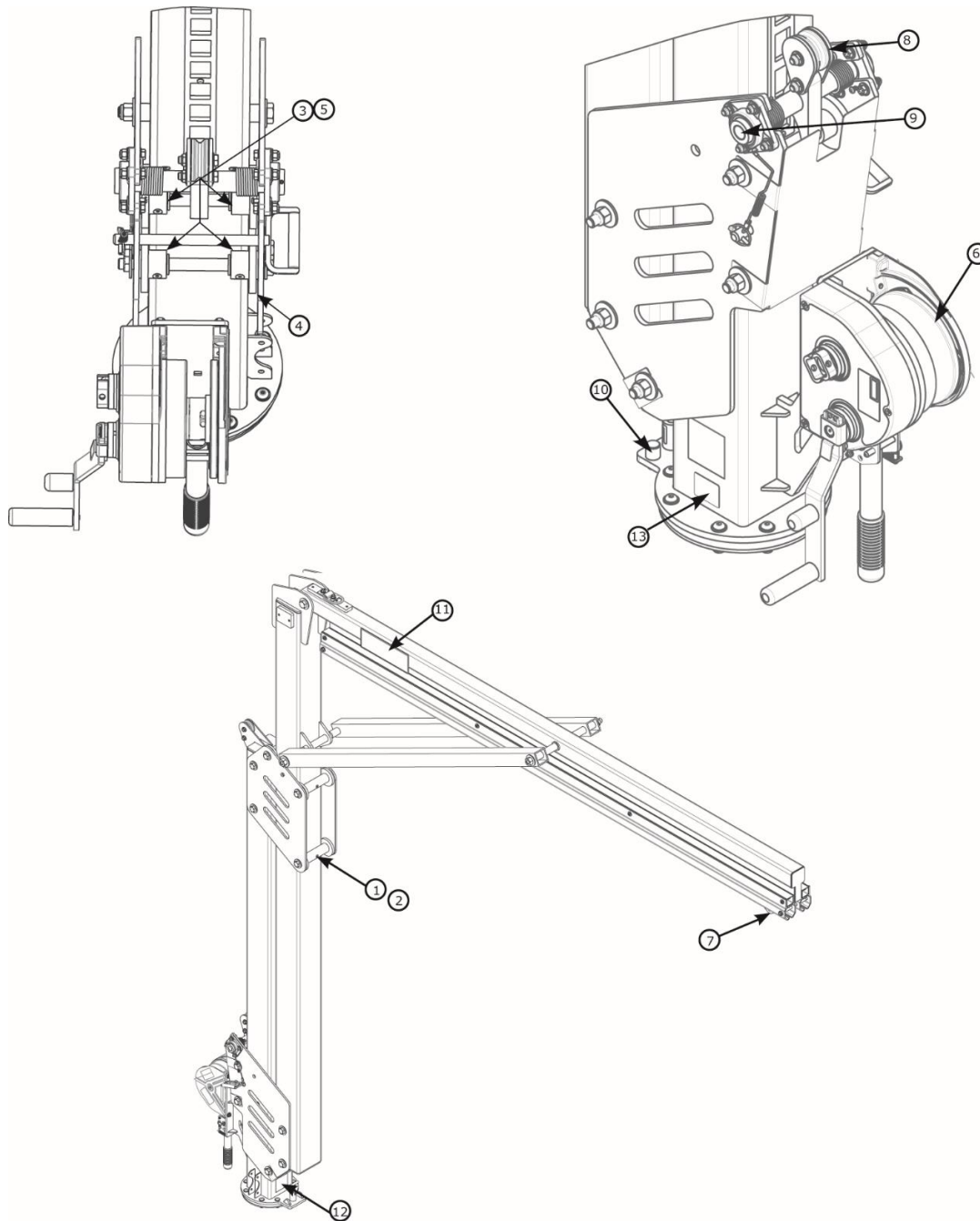
Davit je dizajniran za pružanje točaka za povezivanje sidrišta za sustav zaštite od pada.

Za više informacija o instalaciji proizvoda, pogledajte upute za korisnike.

Standardi: CEN/TS 16415:2013 Tip E, EN795:2012 Tip E, OSHA 1910.140, OSHA 1926.502



	A	B	C	lb. (kg)
8530895	12.3 ft. – 15.0 ft. (3.8 m – 4.6 m)	13.4 ft. – 16.1 ft. (4.1 m – 4.9 m)	11.0 ft. – 13.7 ft. (3.4 m – 4.2 ft.)	1,011 lb. (459 kg)
8530896	14.8 ft. – 20.0 ft. (4.5 m – 6.1 m)	15.9 ft. – 21.1 ft. (4.8 m – 6.4 m)	13.5 ft. – 18.7 ft. (4.1 m – 5.7 m)	1,123 lb. (509 kg)
8530897	17.3 ft. – 25.0 ft. (5.3 m – 7.6 m)	18.4 ft. – 26.1 ft. (5.6 m – 8.0 m)	16.0 – 23.7 ft. (4.9 m – 7.2 m)	1,235 lb. (560 kg)
8530898	19.8 ft. – 30.0 ft. (6.0 m – 9.1 m)	20.9 ft. – 31.1 ft. (6.4 m – 9.5 m)	18.5 ft. – 28.7 ft. (5.6 m – 8.7 m)	1,343 lb. (609 kg)



Popis komponenti				
	Broj dijela	Opis	Materijal	Količina
1	8550046	Široki valjak	Najlon	3
2	8550047	Razmaknica širokog valjka	Nehrđajući čelik 304	3
3	8550327	Uski valjak	Najlon	2
4	9514703	Bočni valjak	Najlon	8
5	8550213	Razmaknica uskog valjka	Nehrđajući čelik 304	2
6	8549930	Vitlo	Čelik	1
7	8521711	Kolica	Čelik, Najlon	1

Popis komponenti				
	Broj dijela	Opis	Materijal	Količina
8	8550223	Mehanizam zaključavanja (samo ovlašteni popravak)	Čelik, Najlon	1
9	9515138	Ležajevi	Čelik	2
10	8550398	Zaustavljač rotacije	Aluminij	2
11	9515111	3M naljepnica	Poliester	2
12	9515101	Naljepnica za rotaciju	Poliester	1
13	9514429	ID naljepnica	Poliester	1
14	9515112	Korisnička naljepnica	Poliester	1

Polufiksni davit

TEHNIČKI LIST: 8530902-8530904





PRIMJENA:

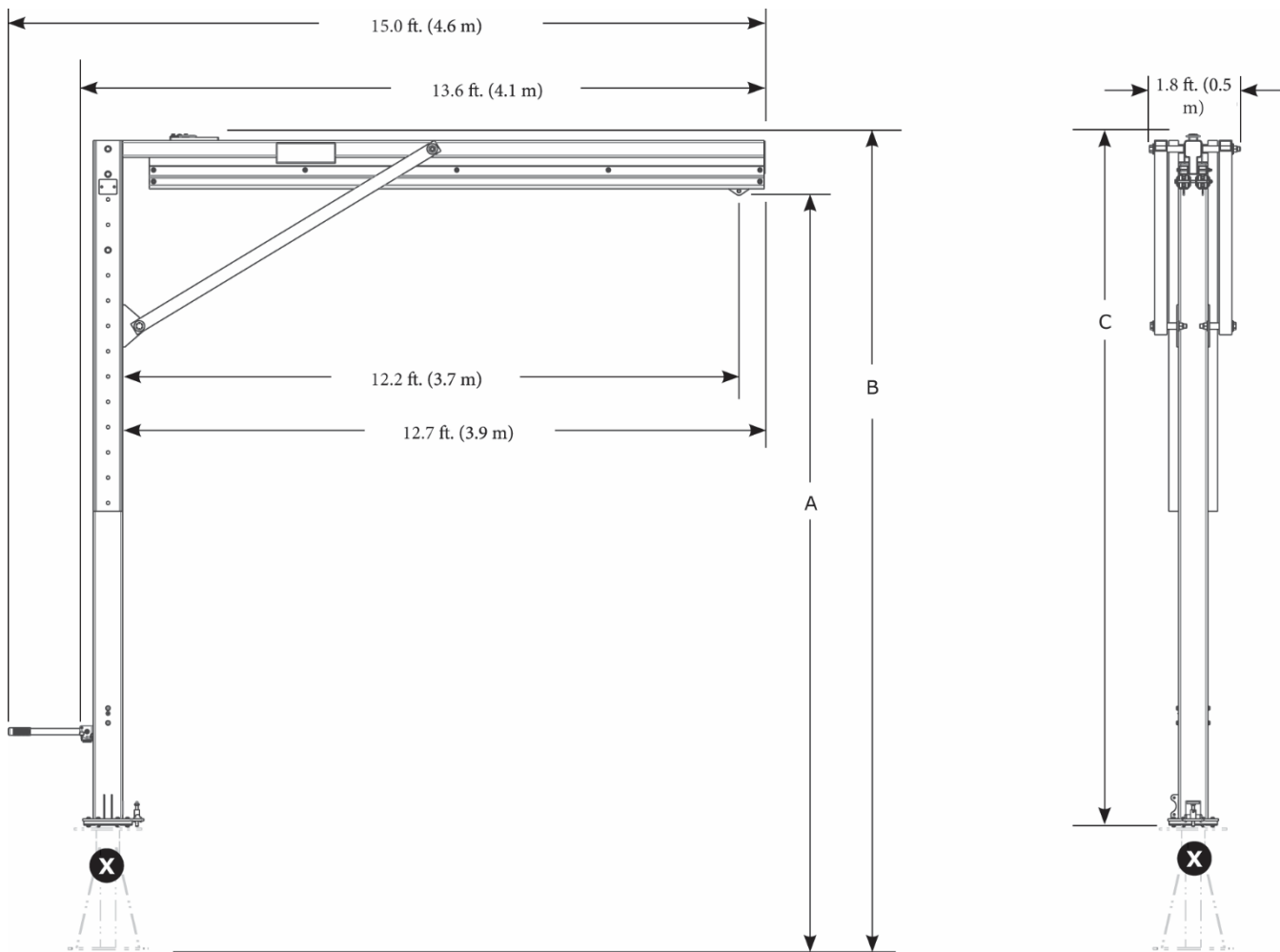
Davit je dizajniran za pružanje točaka za povezivanje sidrišta za sustav zaštite od pada.

Za više informacija o instalaciji proizvoda, pogledajte upute za korisnike.

Standardi: CEN/TS 16415:2013 Tip E, EN795:2012 Tip E, OSHA 1910.140, OSHA 1926.502

 ≤ 1350 lb.
(6 kN)

 2x ≤ 310 lb.
(140 kg)



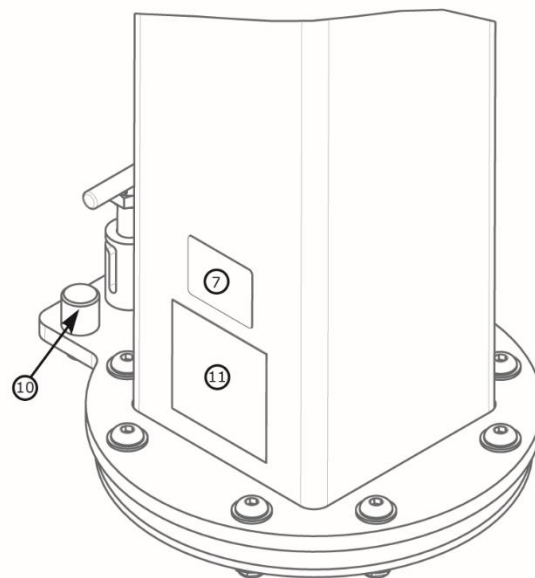
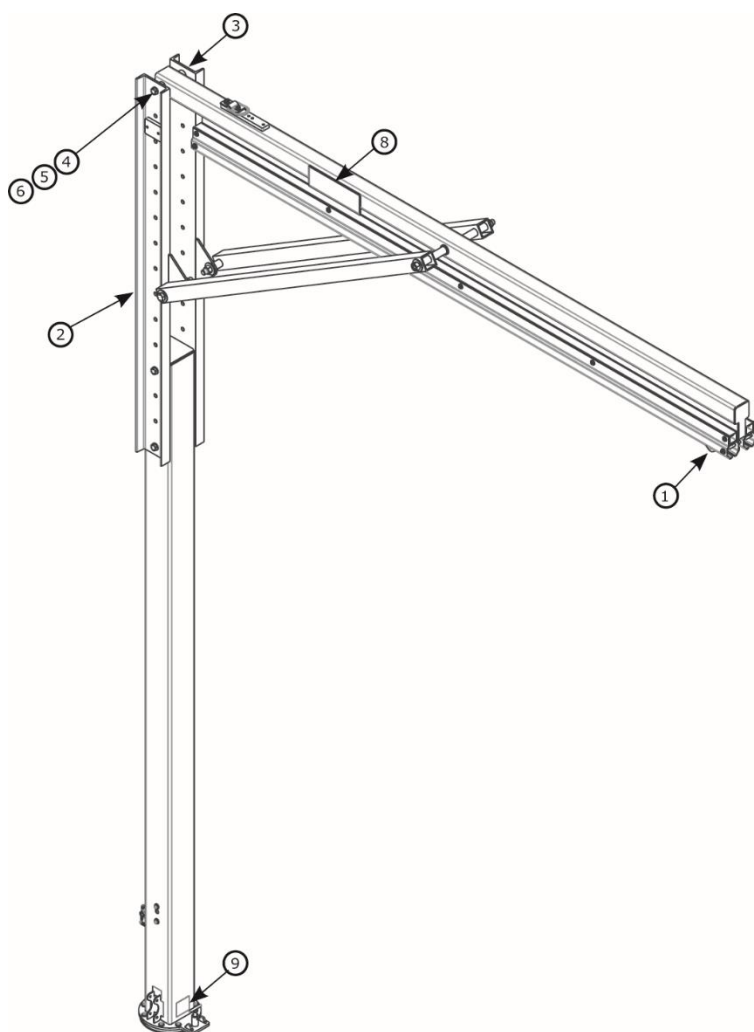
	A	B	C	lb. (kg)
8530902	15.0 ft. – 20.0 ft. (4.6 m – 6.1 m)	16.1 ft. – 21.1 ft. (4.9 m – 6.4 m)	13.7 ft. – 18.7 ft. (4.2 m – 5.7 m)	850 lb. (386 kg)
8530903	20.0 ft. – 25.0 ft. (6.1 m – 7.6 m)	21.1 ft. – 26.1 ft. (6.4 m – 7.9 m)	18.7 ft. – 23.7 ft. (5.7 m – 7.2 m)	961 lb. (436 kg)
8530904	25.0 ft. – 30.0 ft. (7.6 m – 9.1 m)	26.1 ft. – 31.1 ft. (7.9 m – 9.6 m)	23.7 ft. – 28.7 ft. (7.2 m – 8.7 m)	1,073 lb. (487 kg)

Komponente polufiksnoh davita

TEHNIČKI LIST: 8530902-8530904

3M

DBI
SALA
Fall Protection



	Broj dijela	Opis	Materijal	Količina
1	8521711	Kolica	Nehrđajući čelik, Čelik, Najlon	1
2	8549933	Kanal za spašavanje	Čelik	1
3	8550248	Kanal	Čelik	1
4	8526654	Vijak 3/4" x 9"	Čelik	2
5	8522275	Podloška 3/4"	Čelik	4
6	8518276	Matica 3/4"	Čelik	2
7	9514429	ID naljepnica	Poliester	1

	Broj dijela	Opis	Materijal	Količina
8	9515111	3M naljepnica	Poliester	2
9	9515101	Naljepnica za rotaciju	Poliester	1
10	8550398	Zaustavljač rotacije	Aluminij	2
11	9515112	Korisnička naljepnica	Poliester	1

Osnova protuteže M200

TEHNIČKI LIST: 8530886, 8530887



PRIMJENA:

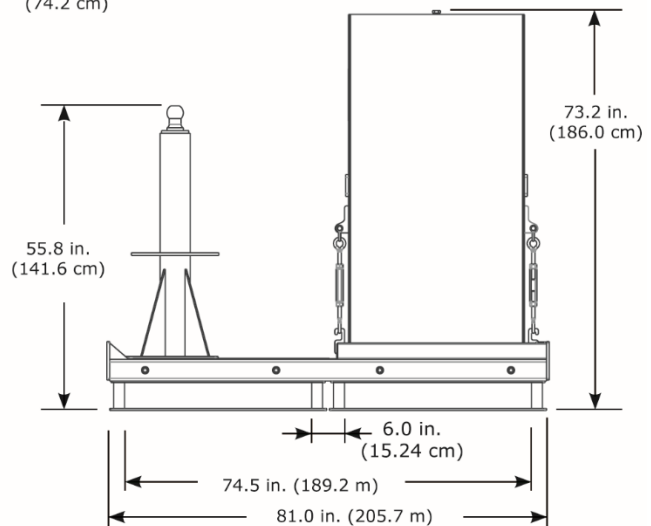
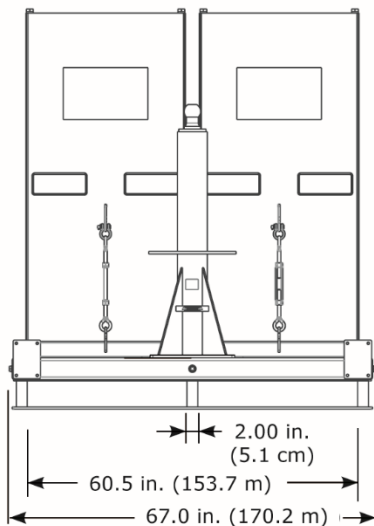
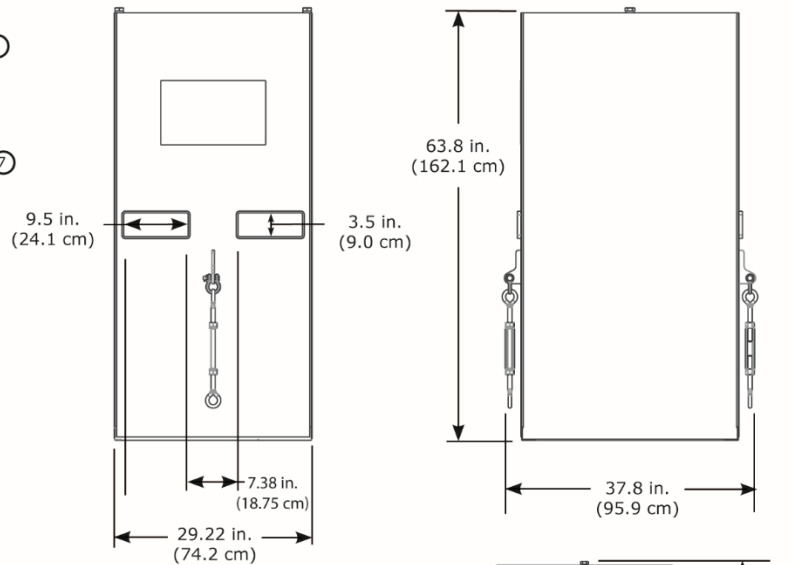
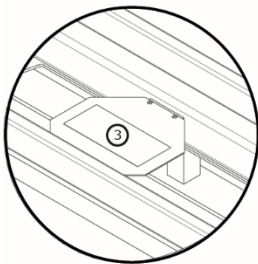
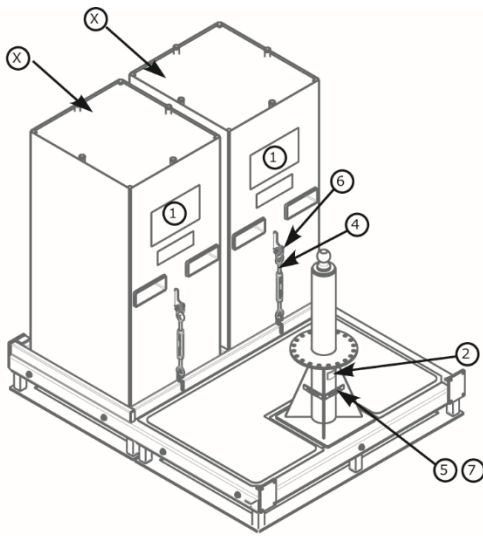
Osnova davita je dizajnirana za korištenje kao točka za montiranje sustava davita.

Za više informacija o instalaciji proizvoda, pogledajte upute za korisnike.

Standardi: CEN/TS 16415:2013 Tip E, EN795:2012 Tip E, OSHA 1910.140, OSHA 1926.502

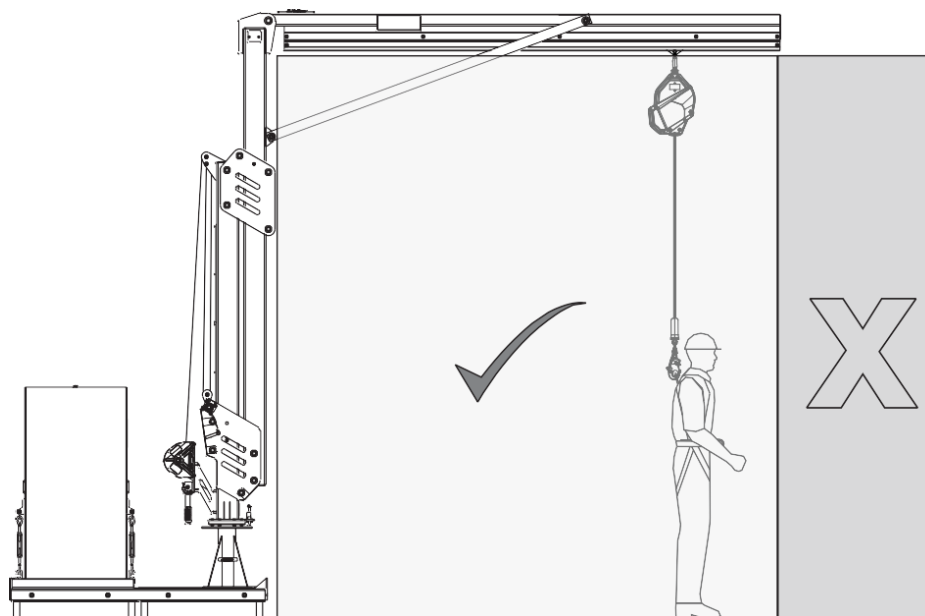
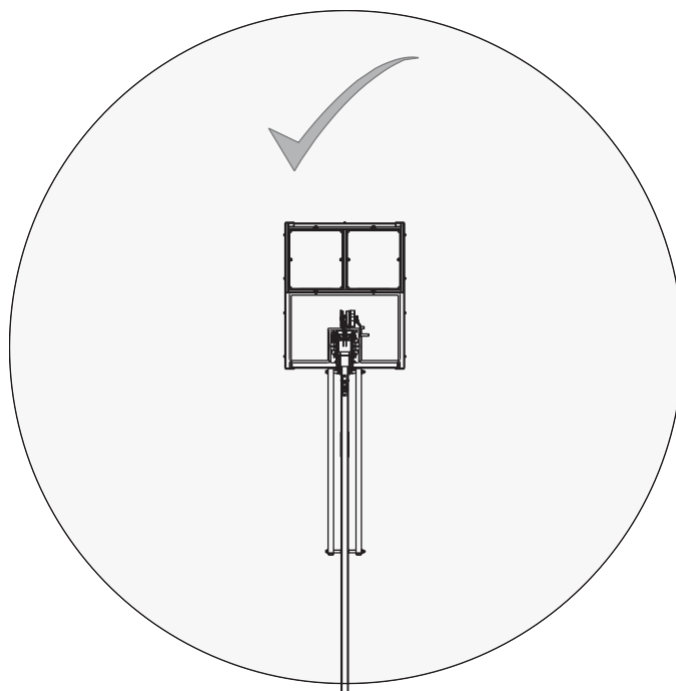
	X 4,000 psi (30 MPa)	Zahtjevi za strukturu odmora	Težina
8530886		14,645 lb. (6,643 kg)	2,407 lb. (1,092 kg)
8530887	✓	+ Težina M200 kraka dizalice	11,325 lb. (5,137 kg)

Popis komponenti				
	Broj dijela	Opis	Materijal	Količina
1	9515107	Korisnička naljepnica	Poliester	1
2	9514429	ID naljepnica	Poliester	1
3	9515106	Upozoravajuća naljepnica	Poliester	1
4	8520575	Natezač	Čelik	2
5	9513627	Vijak #4	Čelik	4
6	9501794	Okov	Čelik	2
7	9515058	Libela	Plastika	2
8	9515566	Upozoravajuća naljepnica	Poliester	4



PRIMJENA:

Pogledajte dijagram ispod za radno područje proizvoda.



Dodaci za osnovu protuteže M200

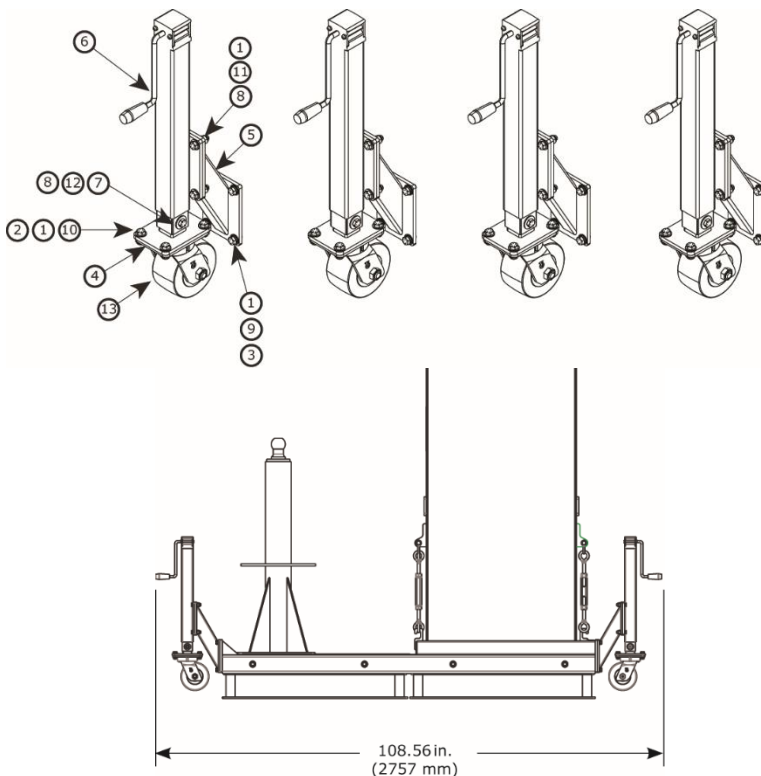
TEHNIČKI LIST: 8530907, 8530908, 8530777



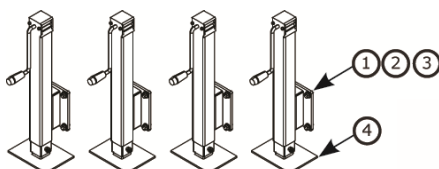
Fall Protection

	Težina
8530908	152 lb. (69 kg)

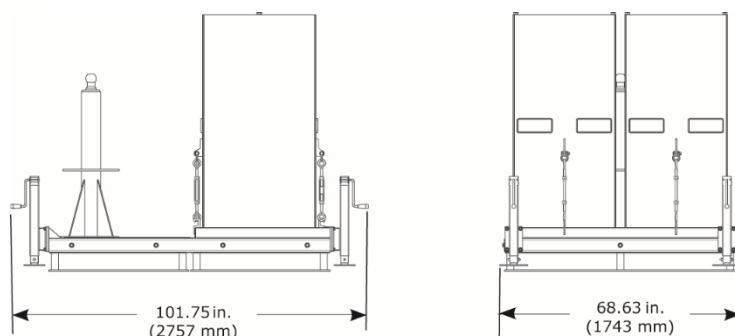
Popis komponenti				
	Broj dijela	Opis	Materijal	Količina
1	8510037	Podloška 1/2"	Čelik	80
2	8512460	Vijak 1/2" x 1 1/4"	Čelik	16
3	8518432	Vijak 1/2" x 1"	Čelik	16
4	8550153	Zavareni kotač	Čelik	4
5	8550155	Kosi zavareni dio	Čelik	4
6	8550156	Montirani zavareni dio	Čelik	4
7	9501243	Podloška 1/2"	Čelik	8
8	9501831	Šesterokutna matica 1/2"	Čelik	20
9	9504221	Podloška 1/2"	Čelik	16
10	9504813	Šesterokutna matica 1/2"	Čelik	16
11	9509276	Vijak 1/2" x 1 3/4"	Čelik	16
12	9510153	Vijak 1/2" x 3 1/4"	Čelik	4
13	9515081	Kotač s kotačićem	Čelik, Uretan	4



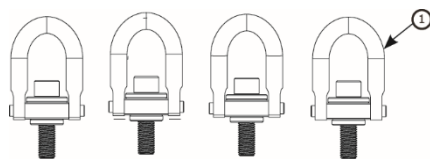
	Težina
8530907	108 lb. (49 kg)



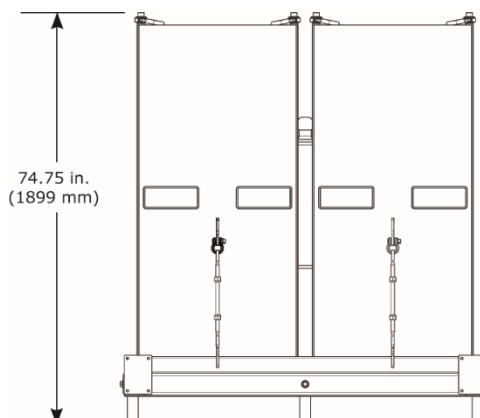
	Broj dijela	Opis	Materijal	Količina
1	9504221	Sigurnosna podloška 1/2"	Čelik	16
2	8510037	Podloška 1/2"	Čelik	16
3	8518432	Vijak 1/2" x 1"	Čelik	16
4	8550177	Zavareni kotač	Čelik	4



	Težina
8530777	12 lb. (5.4 kg)





Popis komponenti				
	Broj dijela	Opis	Materijal	Količina
1	9512574	Prsten za podizanje	Čelik	4

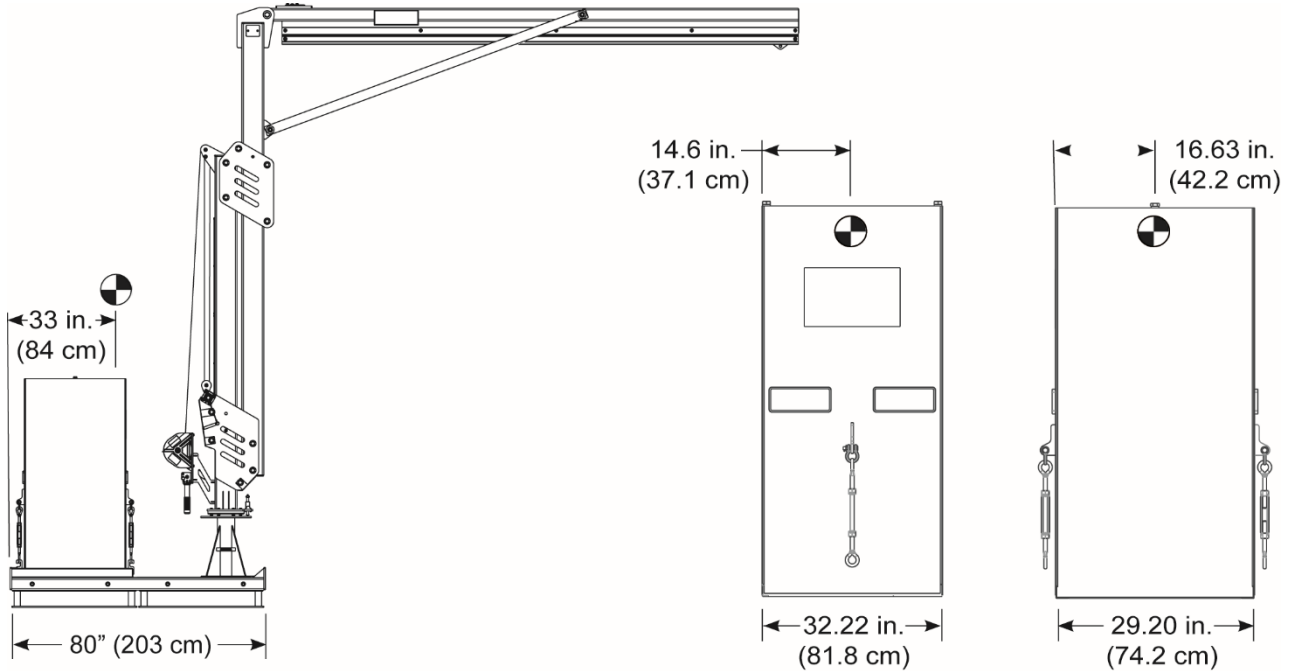



Težište osnove protuteže M200
TEHNIČKI LIST: 8530886, 8530887




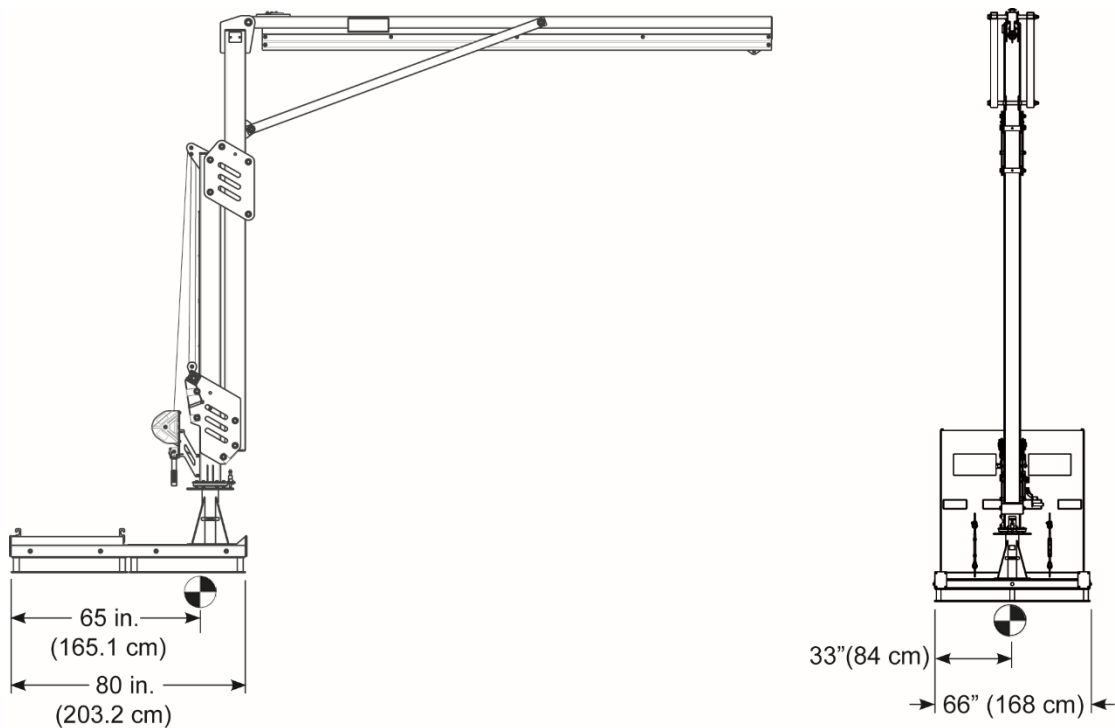
8530887	8530898
 .lb (kg)	12,668 lbs. (5,746 kg)

 .lb (kg)	5,000 lbs. (2,268 kg)
--	--------------------------



8530887	8530898
 .lb (kg)	2,668 lbs. (1,210 kg)

8530887	8530898
 .lb (kg)	12,668 lbs. (5,746 kg)



Osnova za montažu na pod M200

TEHNIČKI LIST: 8530888



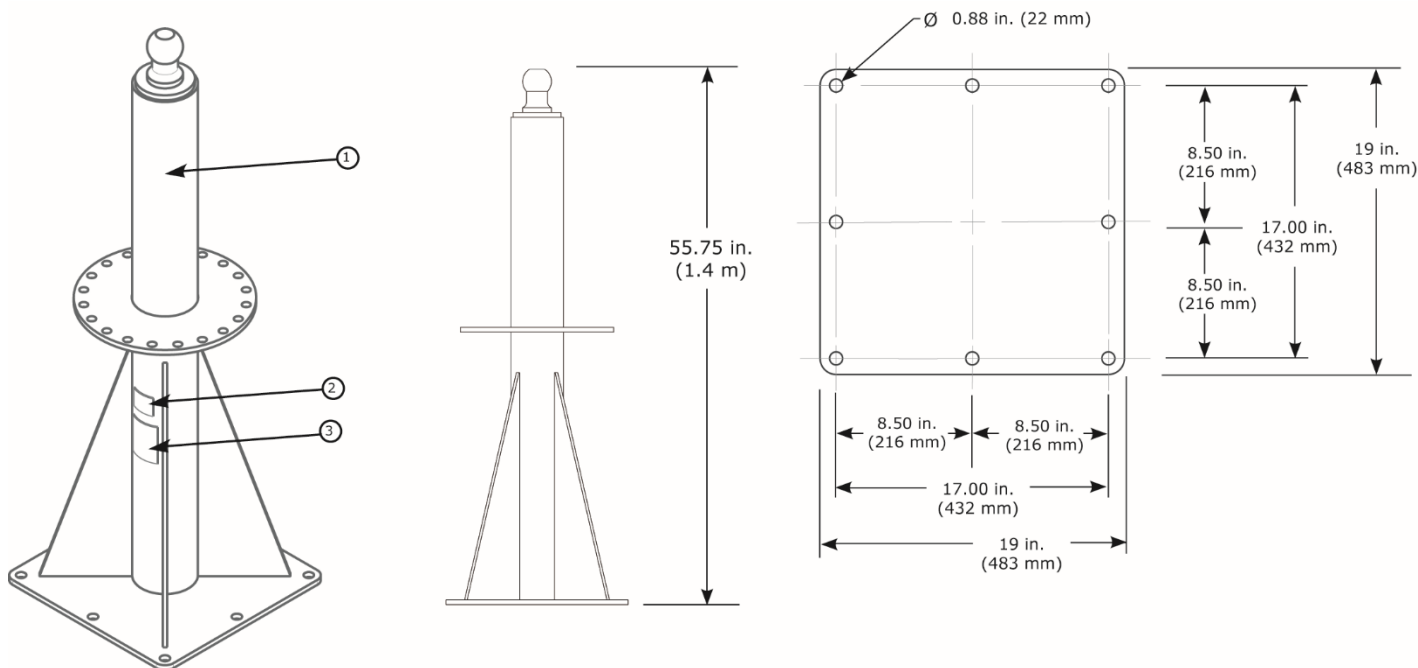
PRIMJENA:

Osnova davita je dizajnirana za korištenje kao točka za montiranje sustava davita.

Za više informacija o instalaciji proizvoda, pogledajte upute za korisnike.

Standardi: CEN/TS 16415:2013 Tip A, EN795:2012 Tip A, OSHA 1910.140, OSHA 1926.502

	Težina
8530888	265 lb. (120 kg)



Popis komponenti				
	Broj dijela	Opis	Materijal	Količina
1	8549921	Zavarena osnova	Čelik	1
2	9514429	ID naljepnica	Poliester	1
3	9515114	Korisnička naljepnica	Poliester	1

Zahtjevi za montažu		
Minimalna sila izvlačenja pričvrstnog elementa	Minimalno opterećenje momenta strukture montaže	Minimalno vertikalno opterećenje strukture montaže
9,386 lb. (4,257 kg)	501,633 in.-lb. (56,677 N-m)	3,320 lb. (1,506 kg) + Težina osnove + Težina M200 kraka dizalice

Osnova za ugradnju u ravnini M200

TEHNIČKI LIST: 8530889, 8530920, 8530921



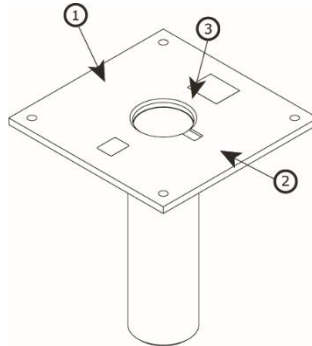
PRIMJENA:

Osnova davita je dizajnirana za korištenje kao točka za montiranje sustava davita.

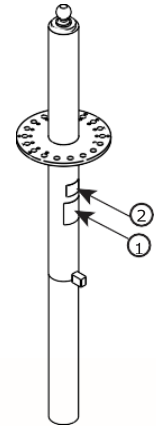
Za više informacija o instalaciji proizvoda, pogledajte upute za korisnike.

Standardi: CEN/TS 16415:2013, EN795:2012 Tip A, OSHA 1910.140, OSHA 1926.502

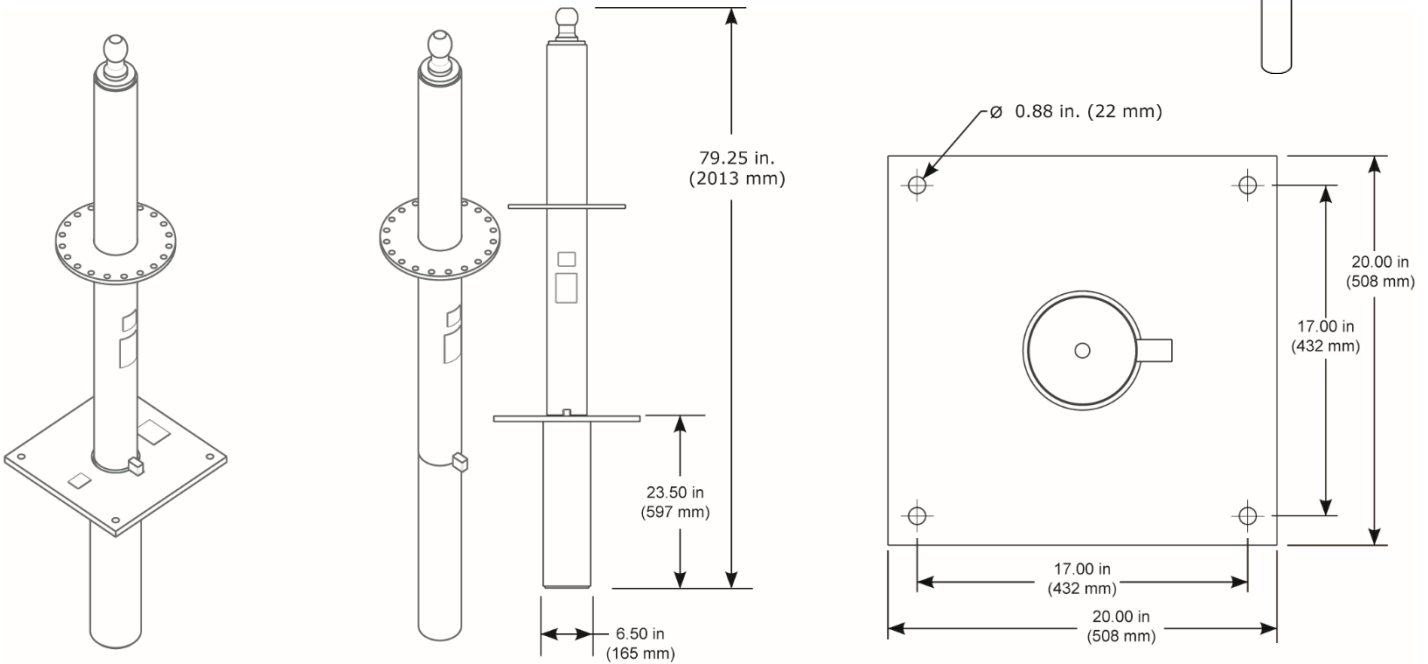
	Težina
8530920	140 lb. (64 kg)



	Težina
8530921	237 lb. (107 kg)



	Težina
8530889	377 lb. (171 kg)

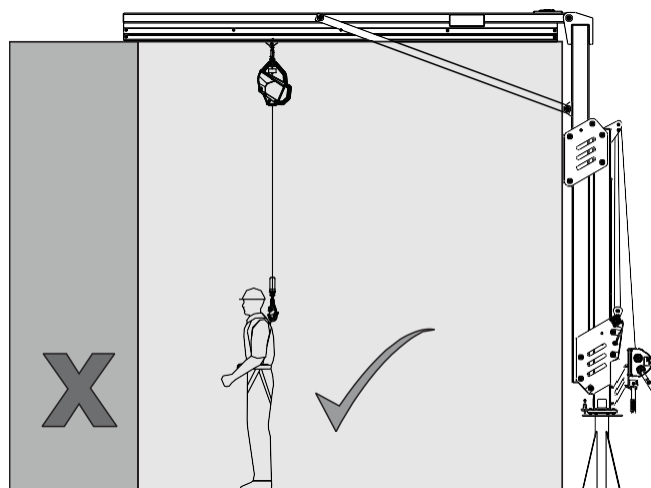
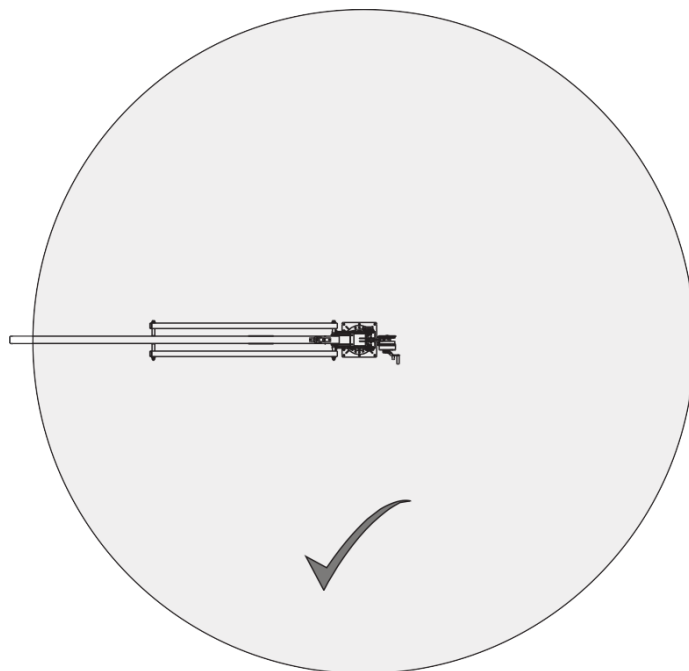


Popis komponenti				
	Broj dijela	Opis	Materijal	Količina
1	9515114	Korisnička naljepnica	Poliester	1
2	9514429	ID naljepnica	Poliester	1
3	8550165	Poklopac osnove	Aluminij, Guma	1

Zahtjevi za montažu	
Minimalno opterećenje momenta strukture montaže	Minimalno vertikalno opterećenje strukture montaže
501,633 in.-lb. (56,677 N-m)	3,320 lb. (1,506 kg) + Težina osnove + Težina M200 kraka dizalice

PRIMJENA:

Pogledajte dijagram ispod za radno područje proizvoda.



Komplet za džep vilice

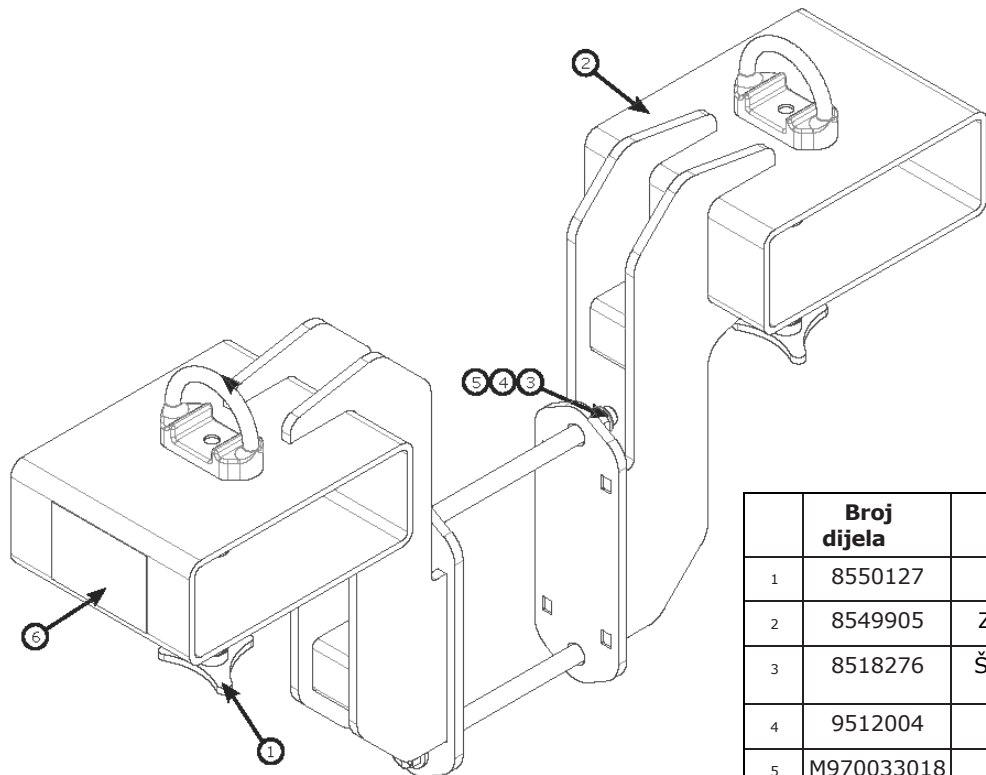
TEHNIČKI LIST: 8530912



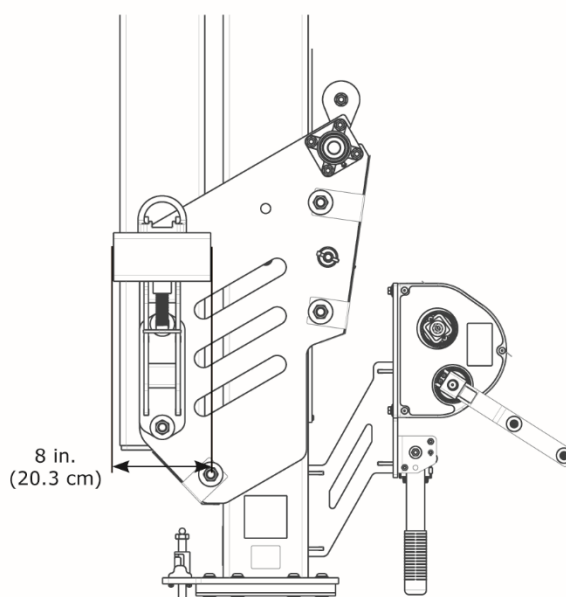
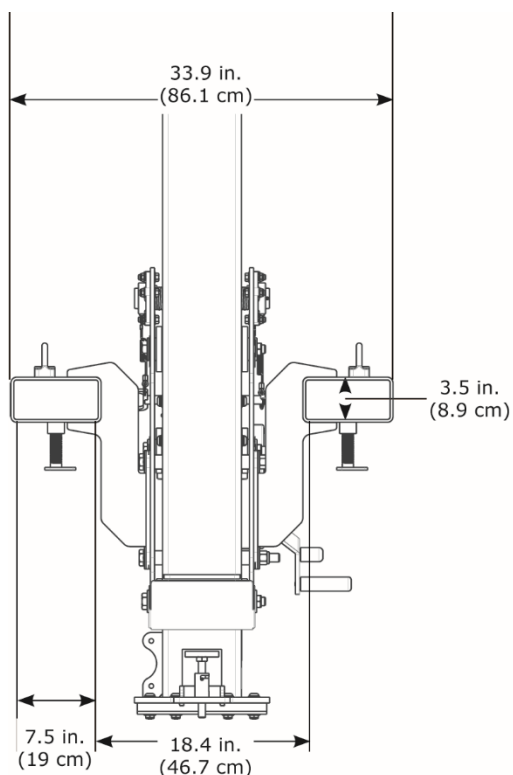
PRIMJENA:

Ovaj model kompleta za džep vilice dizajniran je za transport modela davita s vitlom **8530891-8530898**.

Za više informacija o instalaciji komponenti, pogledajte upute za korisnike.



	Broj dijela	Komponenta	Količina
1	8550127	Tri-vijak	2
2	8549905	Zavareni džep vilice	2
3	8518276	Šesterokutna matica 3/4"	2
4	9512004	Vijak 3/4" x 12"	2
5	M970033018	Podloška 3/4"	4
6	9515122	Korisnička naljepnica	1
	9500146	Karika lanca	2
	8517096	Lanac	10 ft.



Komplet za džep vilice

TEHNIČKI LIST: 8530925

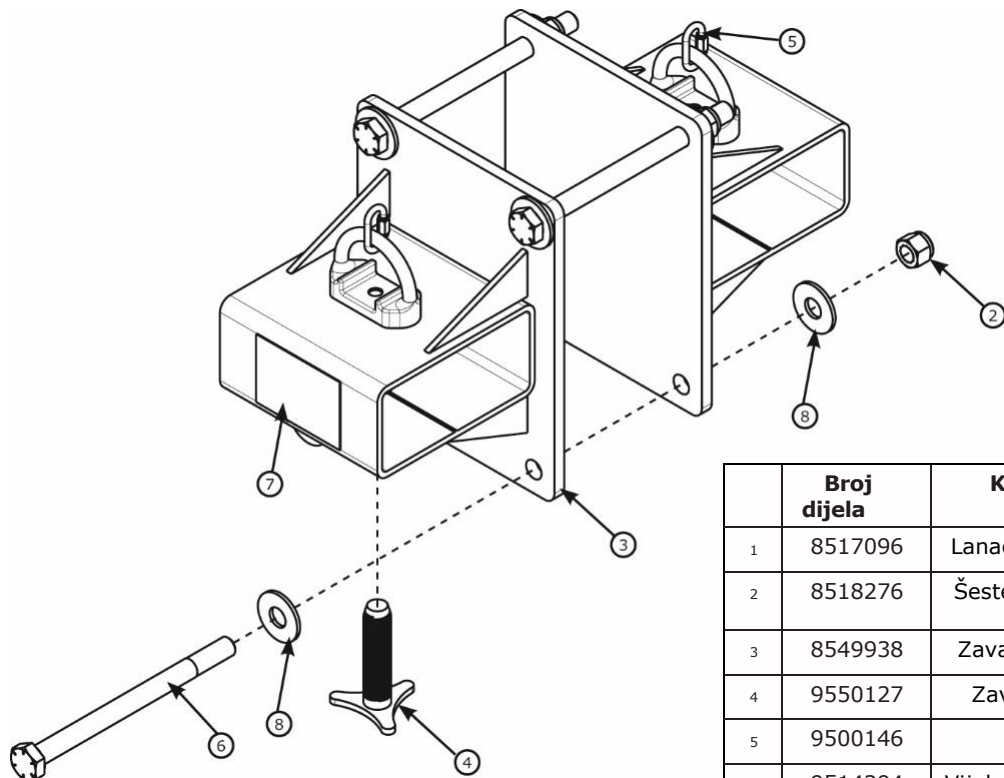
3M

**DBI
SALA®**
Fall Protection

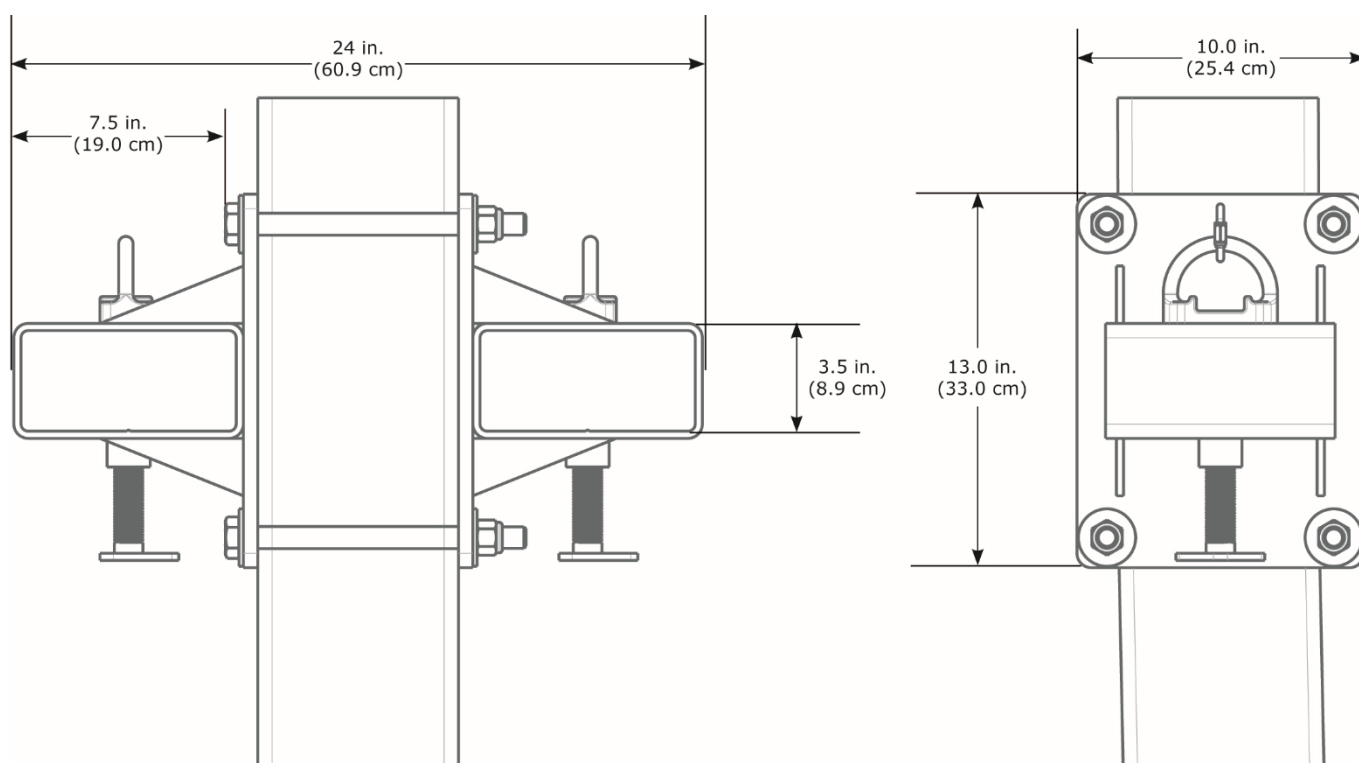
PRIMJENA:

Ovaj model kompleta za džep vilice dizajniran je za transport davita s modelima kanala za podešavanje **8530899–8530904**.

Za više informacija o instalaciji komponenti, pogledajte upute za korisnike.



	Broj dijela	Komponenta	Količina
1	8517096	Lanac (nije prikazan)	10 ft.
2	8518276	Šesterokutna matica 3/4"	4
3	8549938	Zavareni džep vilice	2
4	9550127	Zavareni tri-vijak	2
5	9500146	Brza karika	2
6	9514294	Vijak s šesterokutnom glavom 3/4"	4
7	9515573	Upozoravajuća naljepnica	1
8	M970033018	Podloška 3/4"	8



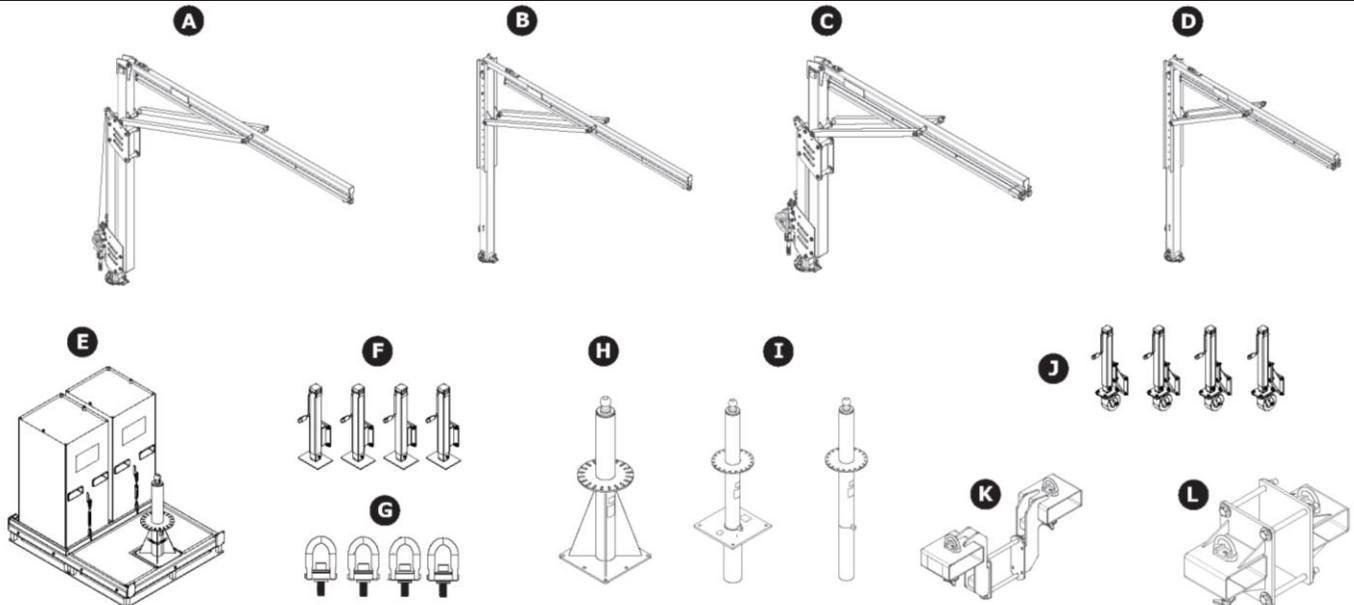


Fall Protection

3M™ DBI-SALA® M200 Darurendszerek

Műszaki Adatlap Csomag 5908526 Rev. D

Felirat	Műszaki Adatlap	Leírás	Oldal
A	8530891	12,3 ft–15 ft (3,8 m–4,6 m) Állítható Daru	236
	8530892	14,8 ft–20 ft (4,5 m–6,1 m) Állítható Daru	236
	8530893	17,3 ft–25 ft (5,3 m–7,6 m) Állítható Daru	236
	8530894	19,8 ft–30 ft (6,1 m–9,1 m) Állítható Daru	236
B	8530899	15 ft–20 ft (4,6 m–6,1 m) Félig Fix Daru	238
	8530900	20 ft–25 ft (6,1 m–7,6 m) Félig Fix Daru	238
	8530901	25 ft–30 ft (7,6 m–9,1 m) Félig Fix Daru	238
C	8530895	12,3 ft–15 ft (3,8 m–4,6 m) Állítható Daru	240
	8530896	14,8 ft–20 ft (4,5 m–6,1 m) Állítható Daru	240
	8530897	17,3 ft–25 ft (5,3 m–7,6 m) Állítható Daru	240
	8530898	19,8 ft–30 ft (6,1 m–9,1 m) Állítható Daru	240
D	8530902	15 ft–20 ft (4,6 m–6,1 m) Félig Fix Daru	242
	8530903	20 ft–25 ft (6,1 m–7,6 m) Félig Fix Daru	242
	8530904	25 ft–30 ft (7,6 m–9,1 m) Félig Fix Daru	242
E	8530886	Töltetlen Ellensúly Alap	244
	8530887	Töltött Ellensúly Alap	244
F	8530907	Ellensúly Alap Emelők	246
G	8530777	Ellensúly Alap Emelőgyűrűk	246
H	8530888	Padlóra Szerelhető Alap	248
I	8530889, 8530920, 8530921	Süllyesztett Alap	249
J	8530908	Ellensúly Alap Kerekek	246
K	8530912	Villa Zseb Készlet	251
L	8530925	Villa Zseb Készlet	252



Állítható Daru

MŰSZAKI ADATLAP: 8530891–8530894



ALKALMAZÁS:

A daru úgy van tervezve, hogy rögzítési csatlakozási pontokat biztosítson egy zuhanásvédelmi rendszer számára.

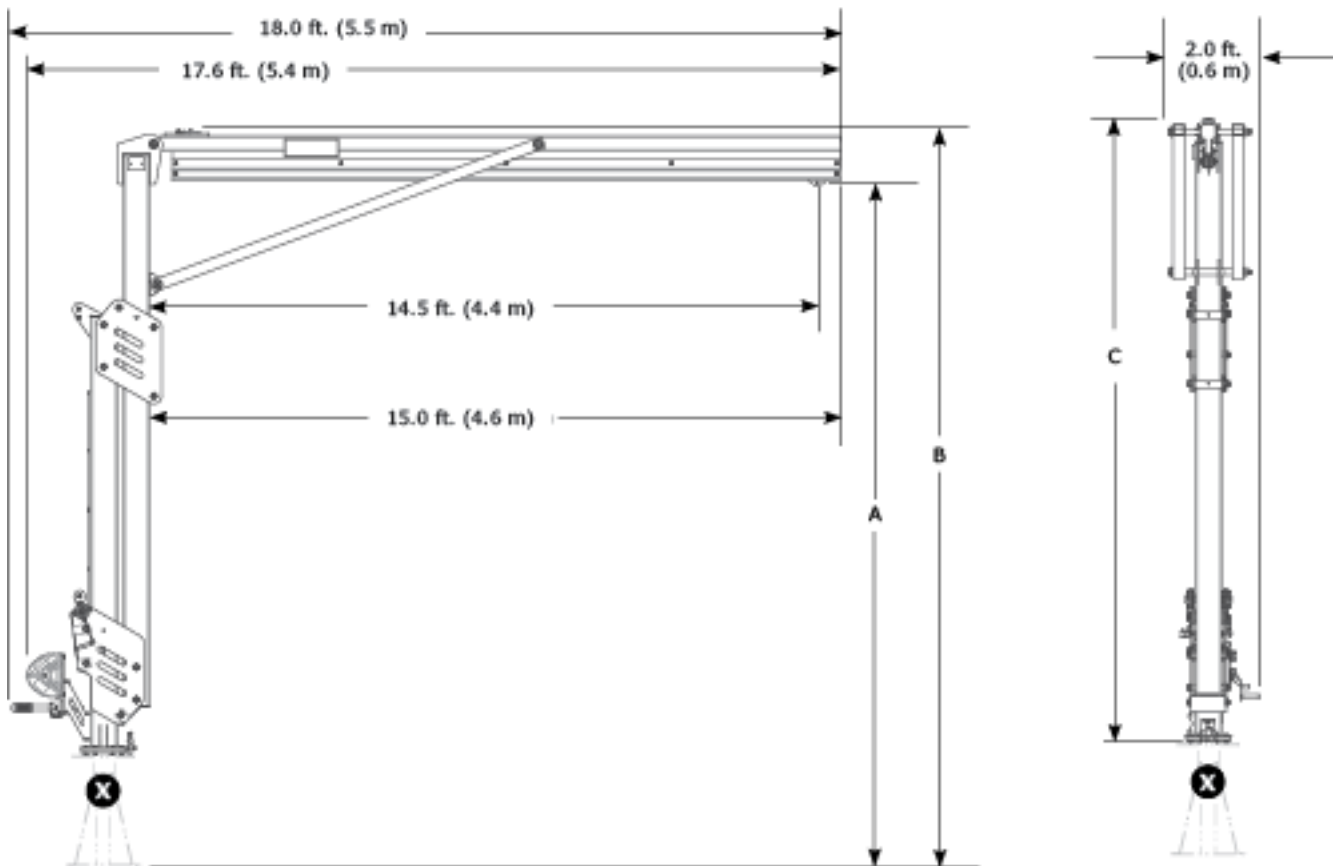
A termék telepítésével kapcsolatos további információkért tekintse meg a használati utasítást.

Szabványok: EN795:2012 E típus, OSHA 1910.140, OSHA 1926.502

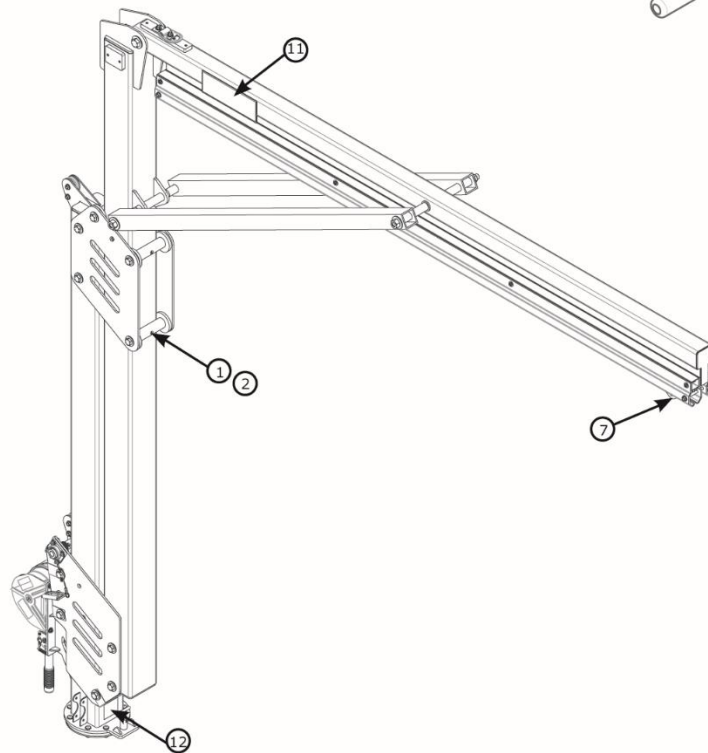
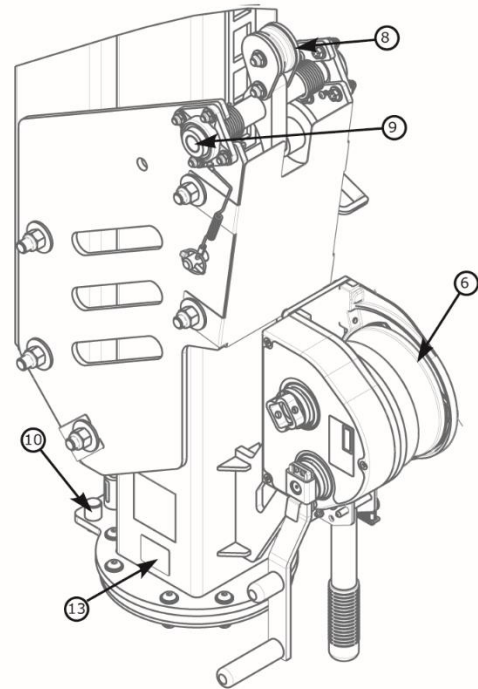
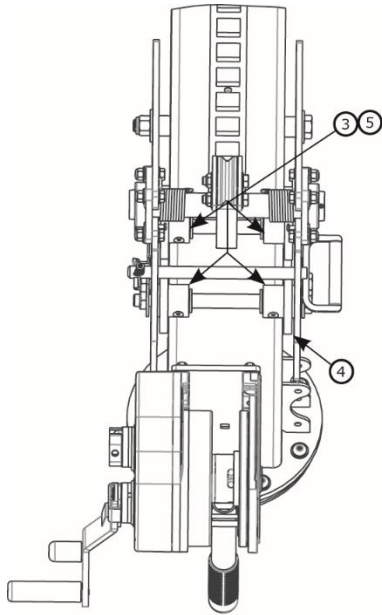
≤ 1350 lb.
(6 kN)

≤ 310 lb.
(140 kg)

1X



	A	B	C	lb. (kg)
8530891	12.3 ft. – 15.0 ft. (3.8 m – 4.6 m)	13.4 ft. – 16.1 ft. (4.1 m – 4.9 m)	9.8 ft. – 14.8 ft. (3.0 m – 4.5 ft.)	945 lb. (429 kg)
8530892	14.8 ft. – 20.0 ft. (4.5 m – 6.1 m)	15.9 ft. – 21.1 ft. (4.8 m – 6.4 m)	13.5 ft. – 18.7 ft. (4.1 m – 5.7 m)	1,057 lb. (479 kg)
8530893	17.3 ft. – 25.0 ft. (5.3 m – 7.6 m)	18.4 ft. – 26.1 ft. (5.6 m – 8.0 m)	16.0 – 23.7 ft. (4.9 m – 7.2 m)	1,169 lb. (530 kg)
8530894	19.8 ft. – 30.0 ft. (6.0 m – 9.1 m)	20.9 ft. – 31.1 ft. (6.4 m – 9.5 m)	18.5 ft. – 28.7 ft. (5.6 m – 8.7 m)	1,281 lb. (581 kg)



Alkatrészlista				
	Cikkszám	Leírás	Anyag	Mennyiség
1	8550046	Széles Görgő	Nylon	3
2	8550047	Széles Görgő Távtartó	304 Rozsdamentes Acél	3
3	8550327	Keskeny Görgő	Nylon	2
4	9514703	Oldalsó Görgő	Nylon	8
5	8550213	Keskeny Görgő Távtartó	304 Rozsdamentes Acél	2
6	8549930	Csörlő	Acél	1
7	8521711	Kocsi	Acél, Nylon	1


Alkatrészlista				
	Cikkszám	Leírás	Anyag	Mennyiség
8	8550223	Zármechanizmus (csak engedélyezett javítás)	Acél, Nylon	1
9	9515138	Csapágyak	Acél	2
10	8550398	Forgásgátló	Alumínium	2
11	9515111	3M Címke	Poliészter	2
12	9515101	Forgás Címke	Poliészter	1
13	9514429	Azonosító Címke	Poliészter	1
14	9515112	Felhasználói Címke	Poliészter	1


ALKALMAZÁS:

A daru úgy van tervezve, hogy rögzítési csatlakozási pontokat biztosítson egy zuhanásvédelmi rendszer számára.

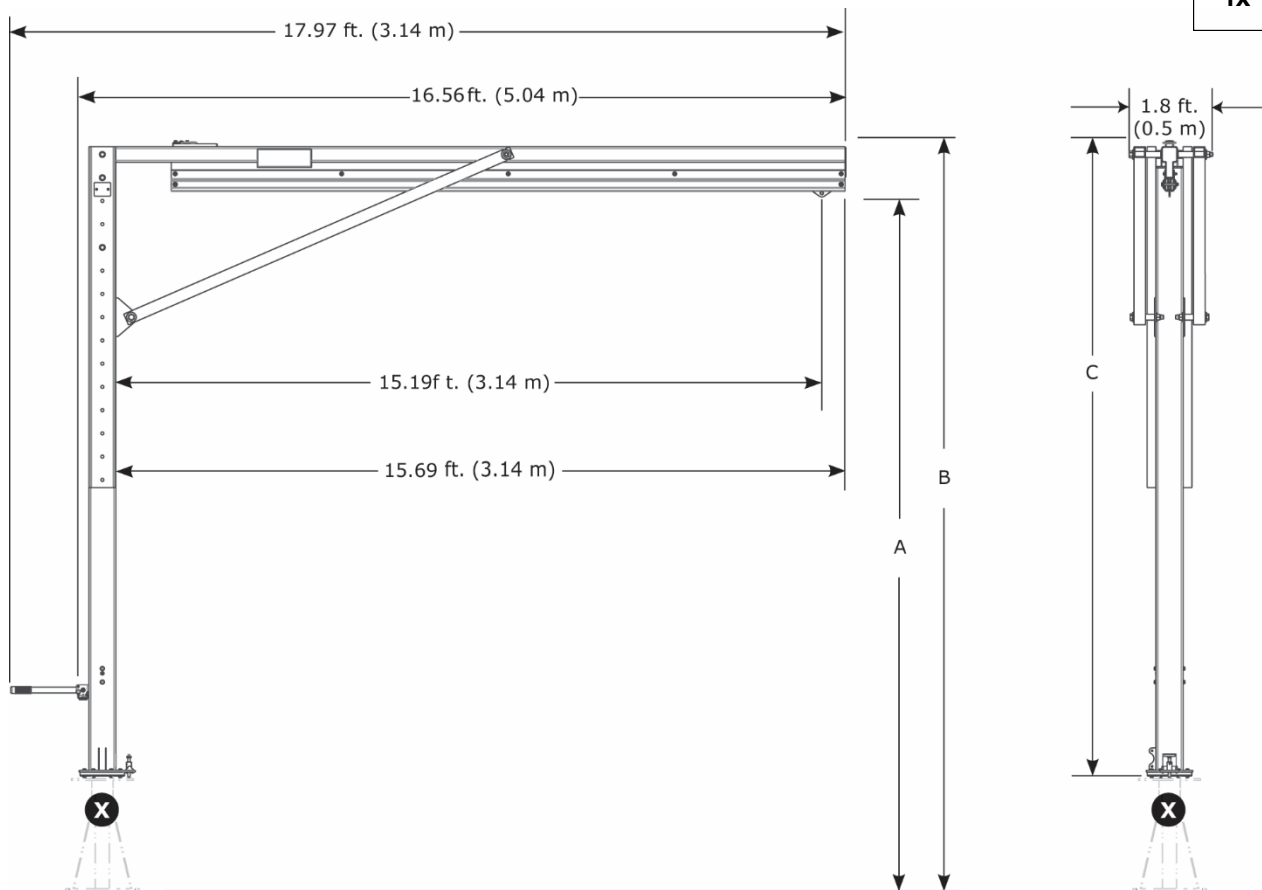
A termék telepítésével kapcsolatos további információkért tekintse meg a használati utasítást.

Szabványok: EN795:2012 E típus, OSHA 1910.140, OSHA 1926.502

 ≤ 1350 lb.
(6 kN)

 ≤ 310 lb.
(140 kg)

1x



	A	B	C	lb. (kg)
8530899	15.0 ft. – 20.0 ft. (4.6 m – 6.1 m)	16.1 ft. – 21.1 ft. (4.9 m – 6.4 m)	13.7 ft. – 18.7 ft. (4.2 m – 5.7 m)	818 lb. (371 kg)
8530900	20.0 ft. – 25.0 ft. (6.1 m – 7.6 m)	21.1 ft. – 26.1 ft. (6.4 m – 7.9 m)	18.7 ft. – 23.7 ft. (5.7 m – 7.2 m)	930 lb. (422 kg)
8530901	25.0 ft. – 30.0 ft. (7.6 m – 9.1 m)	26.1 ft. – 31.1 ft. (7.9 m – 9.6 m)	23.7 ft. – 28.7 ft. (7.2 m – 8.7 m)	1,041 lb. (472 kg)
	+6" (152 mm) állítási lépések			

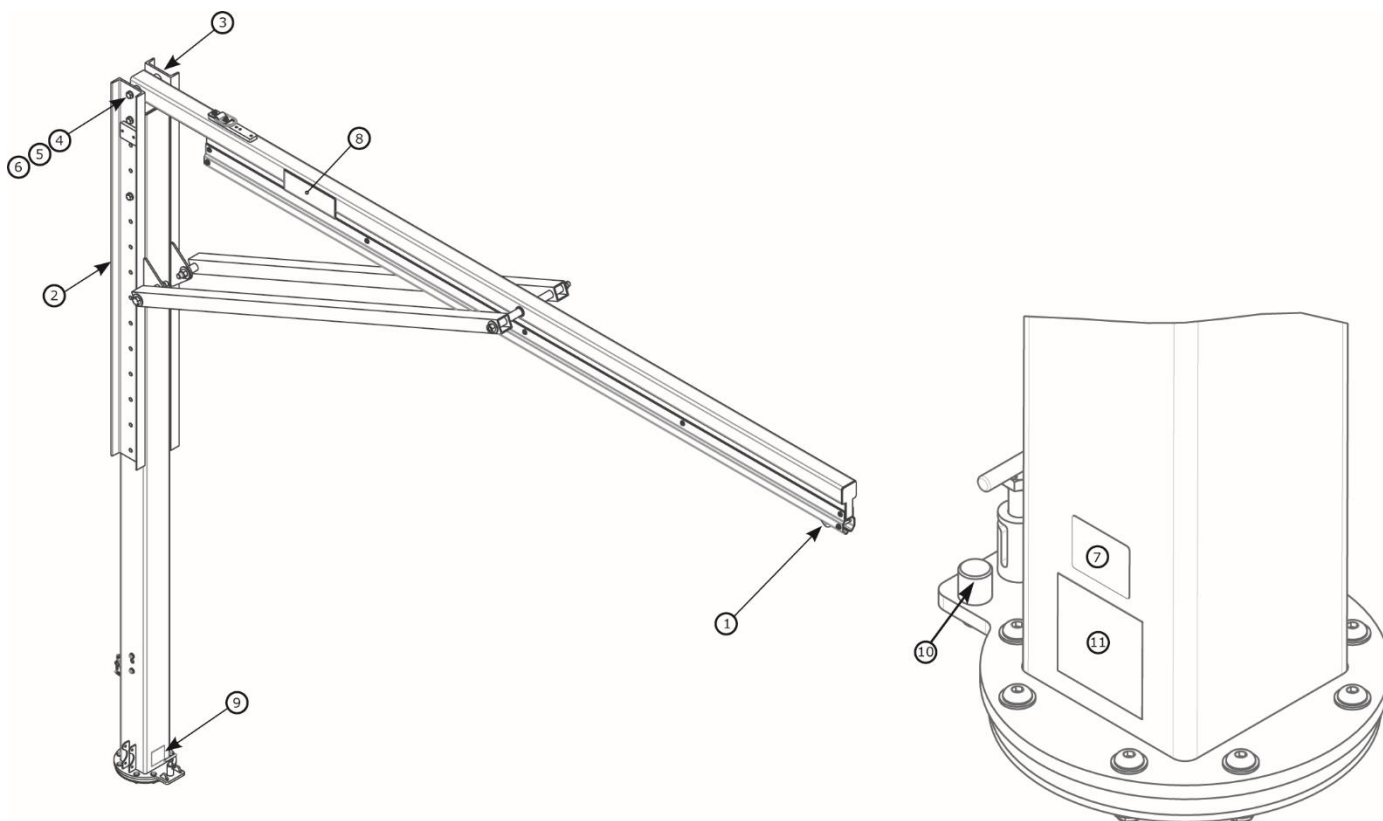
Félig Fix Daru Alkatrészek

MŰSZAKI ADATLAP: 8530899-8530901

3M

DBI
SALA

Fall Protection



	Cikkszám	Leírás	Anyag	Mennyiség
1	8521711	Kocsi	Rozsdamentes Acél, Acél, Nylon	1
2	8549933	Mentő Rögzítő Csatorna	Acél	1
3	8550248	Csatorna	Acél	1
4	8526654	3/4" x 9" Csavar	Acél	2
5	8522275	3/4" Alátét	Acél	4
6	8518276	3/4" Anya	Acél	2
7	9514429	Azonosító Címke	Poliészter	1

	Cikkszám	Leírás	Anyag	Mennyiség
8	9515111	3M Címke	Poliészter	2
9	9515101	Forgás Címke	Poliészter	1
10	8550398	Forgásgátló	Alumínium	2
11	9515112	Felhasználói Címke	Poliészter	1

Állítható Daru

MŰSZAKI ADATLAP: 8530895–8530898



ALKALMAZÁS:

A daru úgy van tervezve, hogy rögzítési csatlakozási pontokat biztosítson egy zuhanásvédelmi rendszer számára.

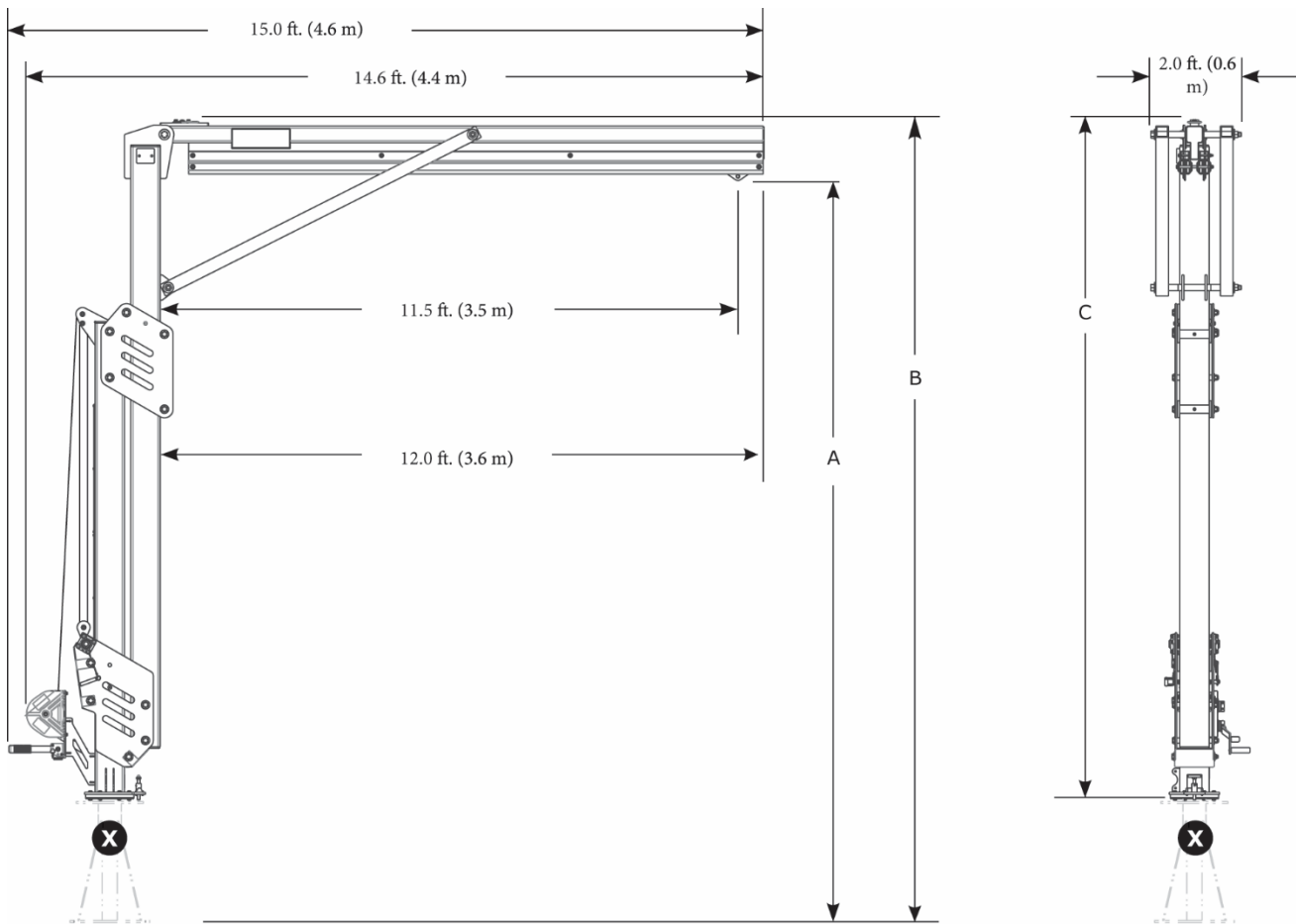
A termék telepítésével kapcsolatos további információkért tekintse meg a használati utasítást.

Szabványok: CEN/TS 16415:2013 E típus, EN795:2012 E típus, OSHA 1910.140, OSHA 1926.502

≤ 1350 lb.
(6 kN)

≤ 310 lb.
(140 kg)

2x



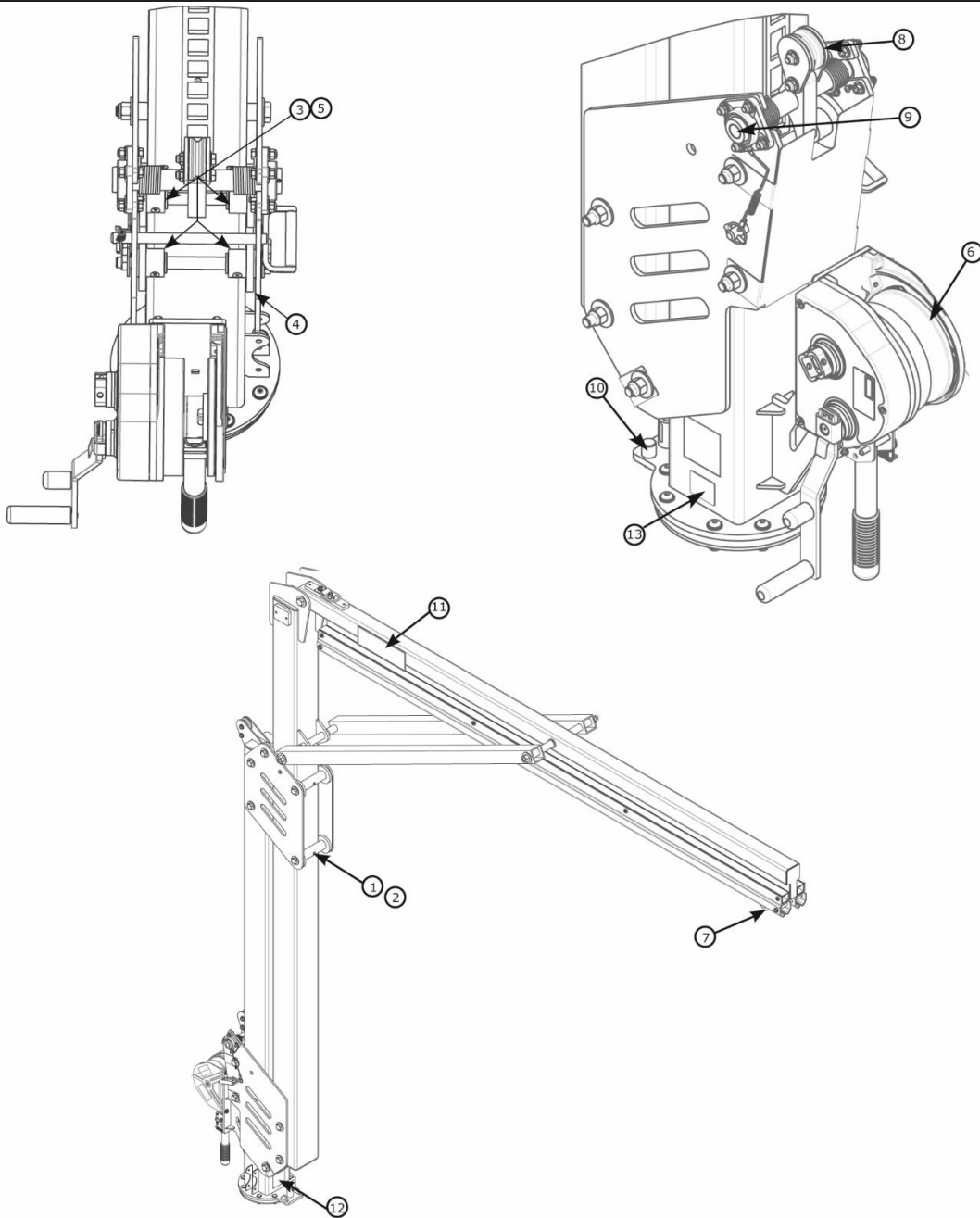
	A	B	C	lb. (kg)
8530895	12.3 ft. – 15.0 ft. (3.8 m – 4.6 m)	13.4 ft. – 16.1 ft. (4.1 m – 4.9 m)	11.0 ft. – 13.7 ft. (3.4 m – 4.2 ft.)	1,011 lb. (459 kg)
8530896	14.8 ft. – 20.0 ft. (4.5 m – 6.1 m)	15.9 ft. – 21.1 ft. (4.8 m – 6.4 m)	13.5 ft. – 18.7 ft. (4.1 m – 5.7 m)	1,123 lb. (509 kg)
8530897	17.3 ft. – 25.0 ft. (5.3 m – 7.6 m)	18.4 ft. – 26.1 ft. (5.6 m – 8.0 m)	16.0 – 23.7 ft. (4.9 m – 7.2 m)	1,235 lb. (560 kg)
8530898	19.8 ft. – 30.0 ft. (6.0 m – 9.1 m)	20.9 ft. – 31.1 ft. (6.4 m – 9.5 m)	18.5 ft. – 28.7 ft. (5.6 m – 8.7 m)	1,343 lb. (609 kg)

Állítható Daru Alkatrészek

MŰSZAKI ADATLAP: 8530895–8530898

3M

**DBI
SALA®**
Fall Protection



Alkatrésztlista				
	Cikkszám	Leírás	Anyag	Mennyiség
1	8550046	Széles Görgő	Nylon	3
2	8550047	Széles Görgő Távtartó	304 Rozsdamentes Acél	3
3	8550327	Keskeny Görgő	Nylon	2
4	9514703	Oldalsó Görgő	Nylon	8
5	8550213	Keskeny Görgő Távtartó	304 Rozsdamentes Acél	2
6	8549930	Csörlő	Acél	1
7	8521711	Kocsi	Acél, Nylon	1

Alkatrésztlista				
	Cikkszám	Leírás	Anyag	Mennyiség
8	8550223	Zármechanizmus (csak engedélyezett javítás)	Acél, Nylon	1
9	9515138	Csapágyak	Acél	2
10	8550398	Forgásgátló	Alumínium	2
11	9515111	3M Címke	Poliészter	2
12	9515101	Forgás Címke	Poliészter	1
13	9514429	Azonosító Címke	Poliészter	1
14	9515112	Felhasználói Címke	Poliészter	1

Félig Fix Daru

MŰSZAKI ADATLAP: 8530902–8530904



ALKALMAZÁS:

A daru úgy van tervezve, hogy rögzítési csatlakozási pontokat biztosítson egy zuhanásvédelmi rendszer számára.

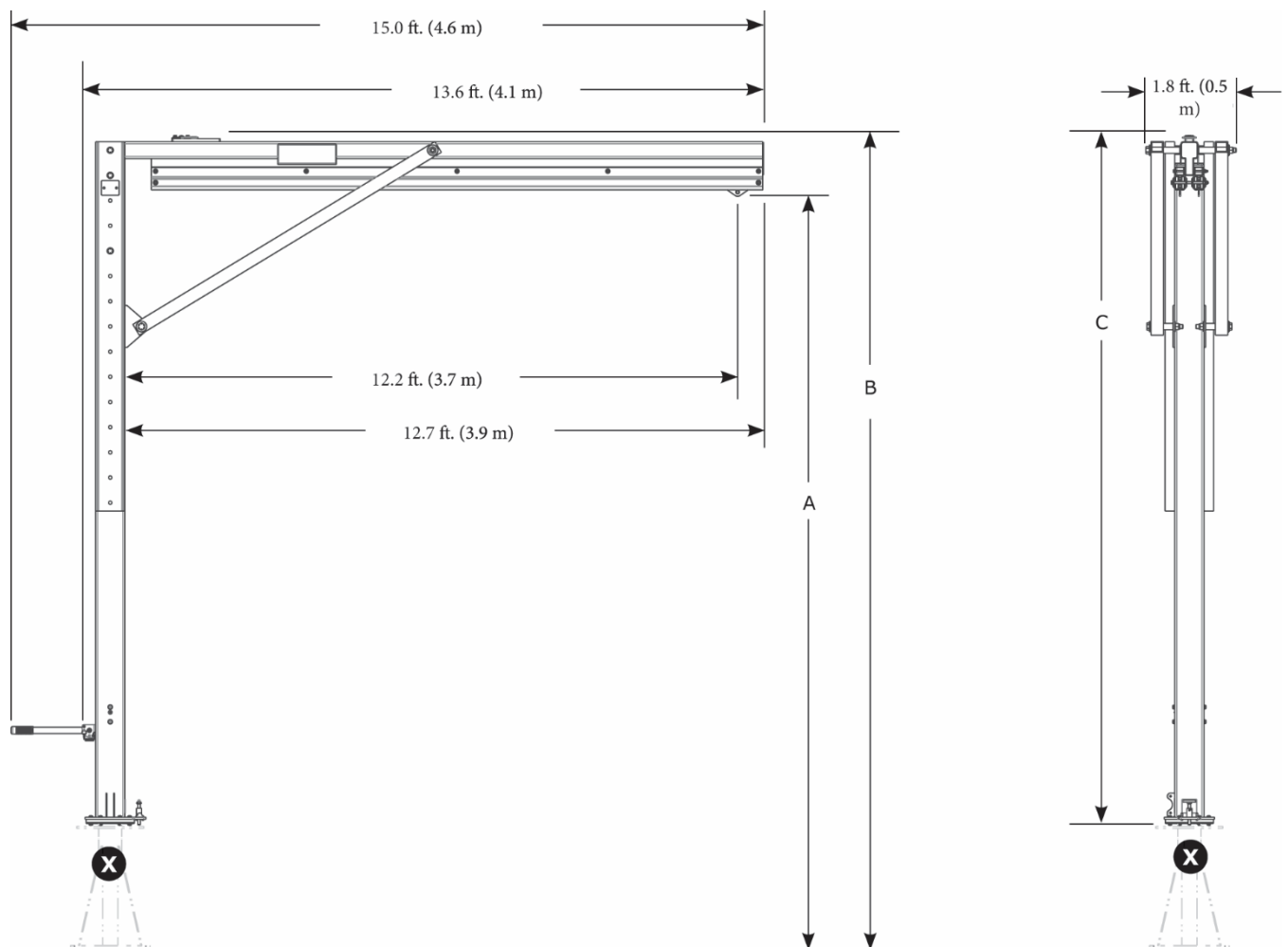
A termék telepítésével kapcsolatos további információkért tekintse meg a használati utasítást.

Szabványok: CEN/TS 16415:2013 E típus, EN795:2012 E típus, OSHA 1910.140, OSHA 1926.502

≤ 1350 lb.
(6 kN)

≤ 310 lb.
(140 kg)

2x



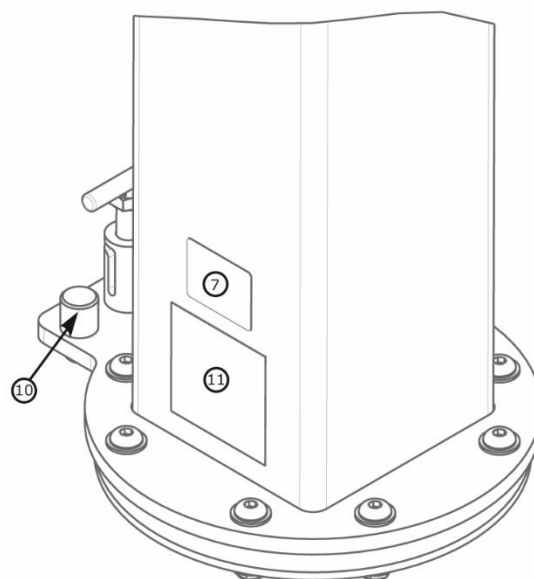
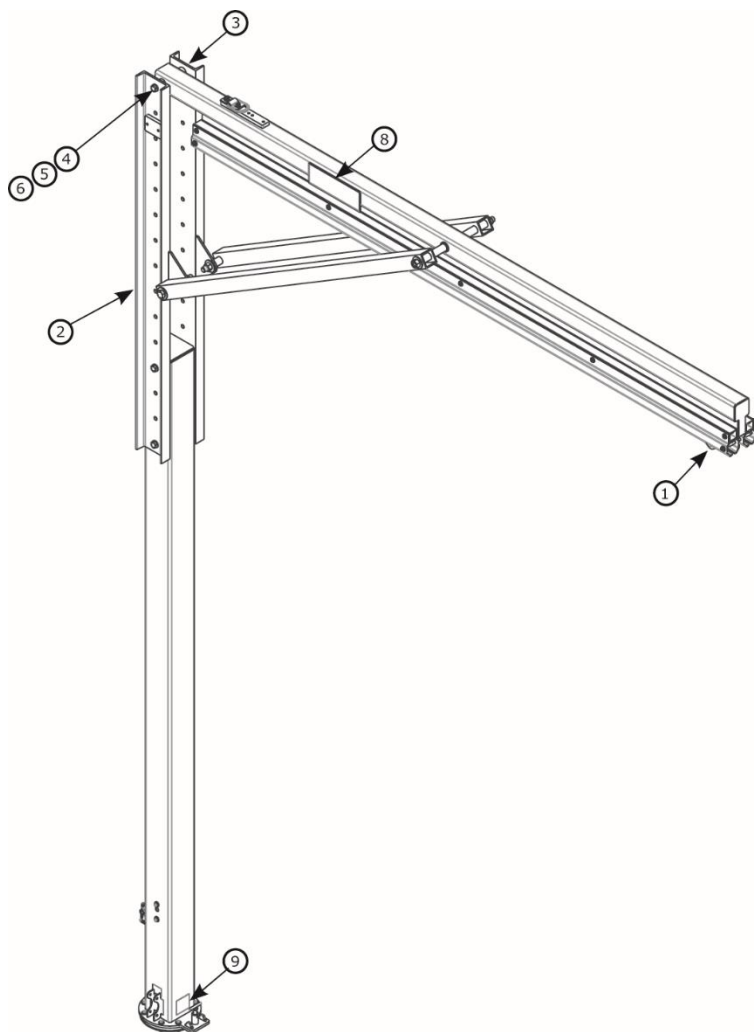
	A	B	C	lb. (kg)
8530902	15.0 ft. – 20.0 ft. (4.6 m – 6.1 m)	16.1 ft. – 21.1 ft. (4.9 m – 6.4 m)	13.7 ft. – 18.7 ft. (4.2 m – 5.7 m)	850 lb. (386 kg)
8530903	20.0 ft. – 25.0 ft. (6.1 m – 7.6 m)	21.1 ft. – 26.1 ft. (6.4 m – 7.9 m)	18.7 ft. – 23.7 ft. (5.7 m – 7.2 m)	961 lb. (436 kg)
8530904	25.0 ft. – 30.0 ft. (7.6 m – 9.1 m)	26.1 ft. – 31.1 ft. (7.9 m – 9.6 m)	23.7 ft. – 28.7 ft. (7.2 m – 8.7 m)	1,073 lb. (487 kg)

Félig Fix Daru Alkatrészek

MŰSZAKI ADATLAP: 8530902-8530904

3M

**DBI
SALA®**
Fall Protection



	Cikkszám	Leírás	Anyag	Mennyiség
1	8521711	Kocsi	Rozsdamentes Acél, Acél, Nylon	1
2	8549933	Mentő Rögzítő Csatorna	Acél	1
3	8550248	Csatorna	Acél	1
4	8526654	3/4" x 9" Csavar	Acél	2
5	8522275	3/4" Alátét	Acél	4
6	8518276	3/4" Anya	Acél	2
7	9514429	Azonosító Címke	Poliészter	1

	Cikkszám	Leírás	Anyag	Mennyiség
8	9515111	3M Címke	Poliészter	2
9	9515101	Forgás Címke	Poliészter	1
10	8550398	Forgásgátló	Alumínium	2
11	9515112	Felhasználói Címke	Poliészter	1

M200 Ellensúly Alap

MŰSZAKI ADATLAP: 8530886, 8530887



ALKALMAZÁS:

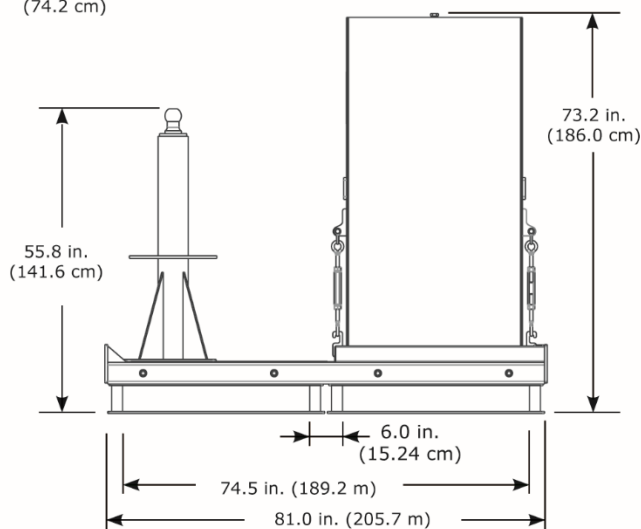
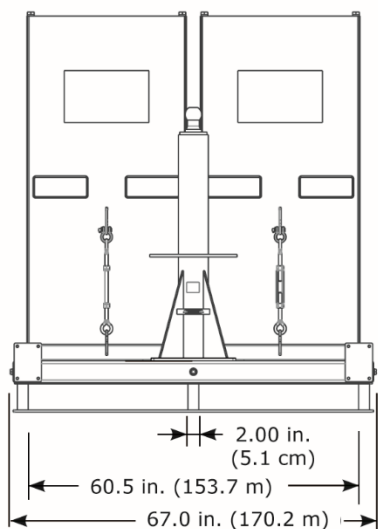
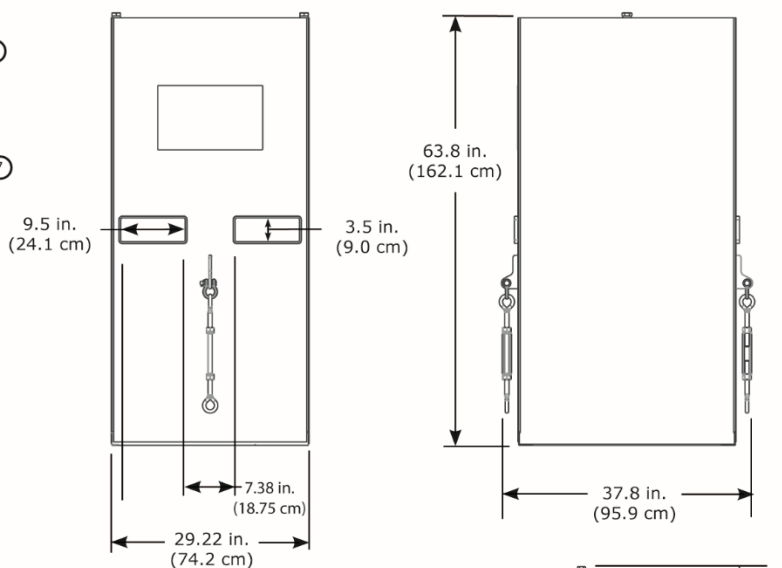
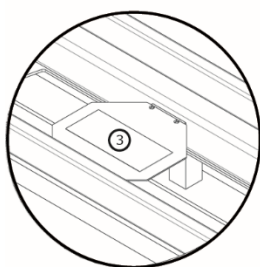
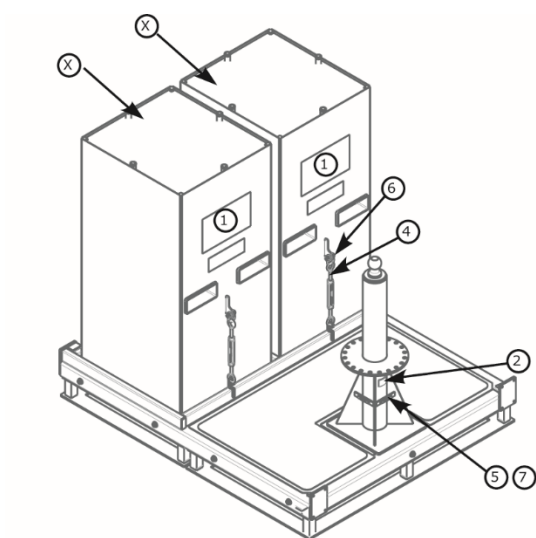
A daru alapja úgy van tervezve, hogy a darurendszer rögzítési pontjaként szolgáljon.

A termék telepítésével kapcsolatos további információkért tekintse meg a használati utasítást.

Szabványok: CEN/TS 16415:2013 E típus, EN795:2012 E típus, OSHA 1910.140, OSHA 1926.502

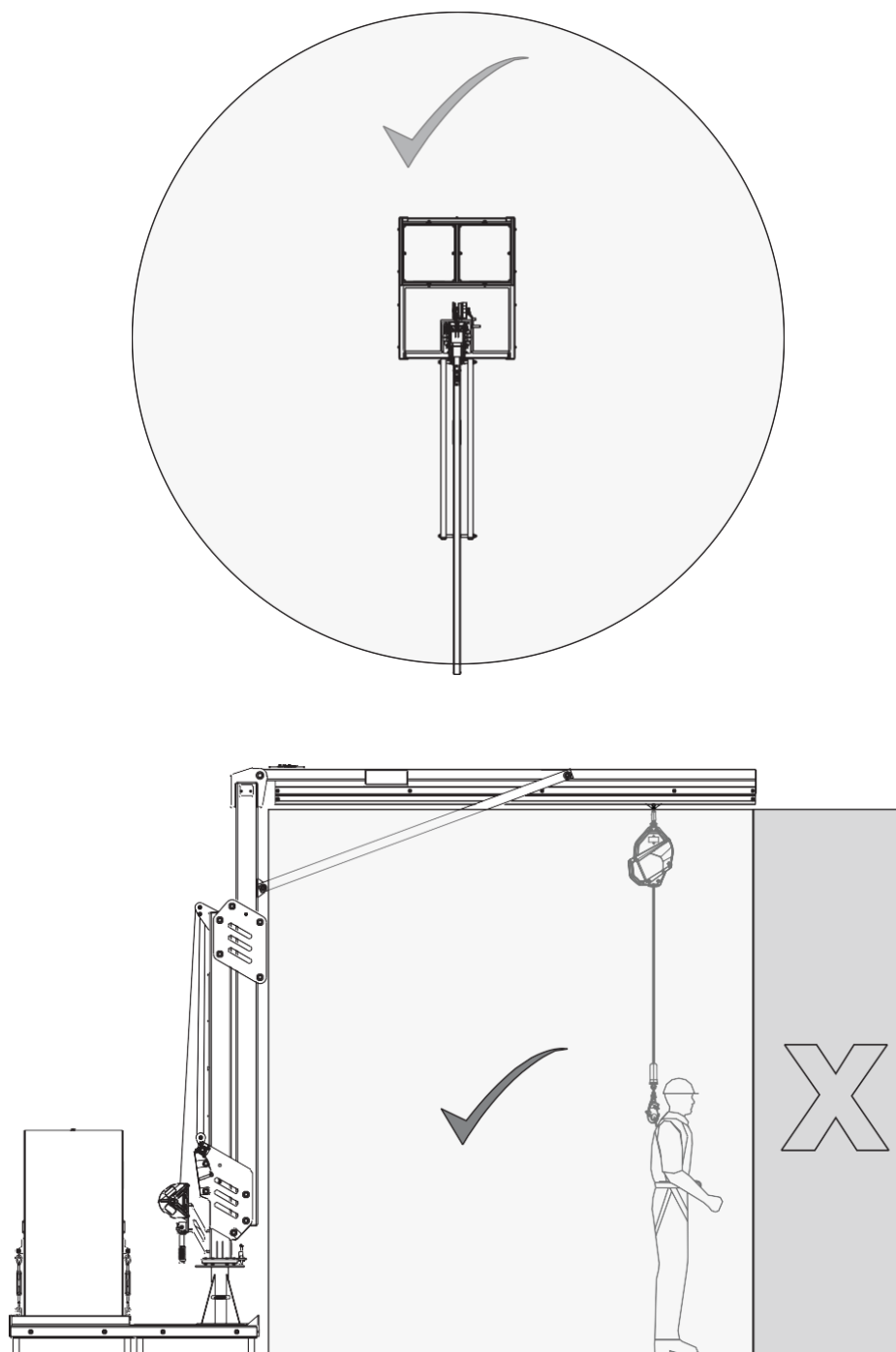
	X 4,000 psi (30 MPa)	Nyugvó Szerkezet Követelmények	Súly
8530886		14,645 lb. (6,643 kg)	2,407 lb. (1,092 kg)
8530887	✓	+ M200 Gém Súlya	11,325 lb. (5,137 kg)

Alkatrészlista				
	Cikkszám	Leírás	Anyag	Mennyiség
1	9515107	Felhasználói Címke	Poliészter	1
2	9514429	Azonosító Címke	Poliészter	1
3	9515106	Figyelmeztető Címke	Poliészter	1
4	8520575	Feszítőcsavar	Acél	2
5	9513627	#4 Csavar	Acél	4
6	9501794	Bilincs	Acél	2
7	9515058	Szintező Bubi	Műanyag	2
8	9515566	Figyelmeztető Címke	Poliészter	4



ALKALMAZÁS:

Tekintse meg az alábbi ábrát a termék munkaterületéhez.

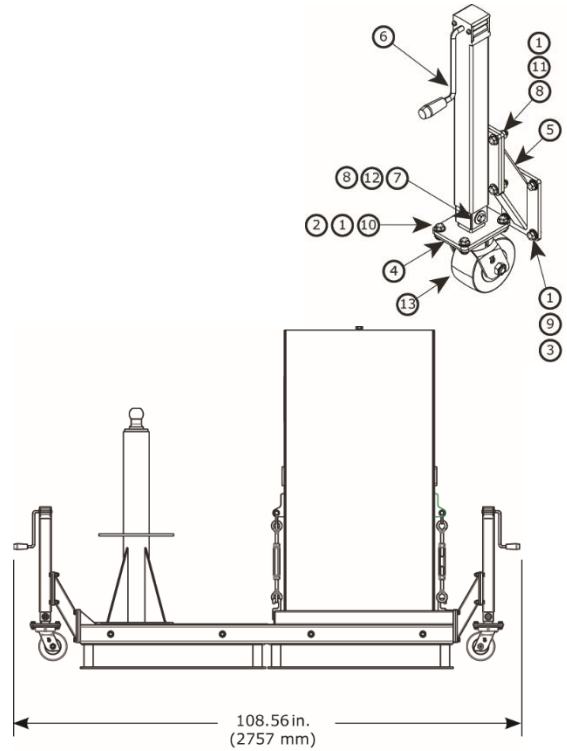


M200 Ellensúly Alap Kiegészítők

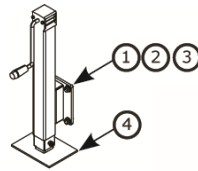
MŰSZAKI ADATLAP: 8530907, 8530908, 8530777



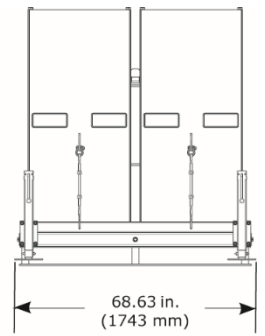
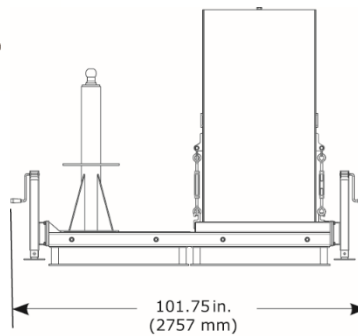
Alkatrészlista				
	Cikkszám	Leírás	Anyag	Mennyiség
1	8510037	1/2" Alátét	Acél	80
2	8512460	1/2" x 1 1/4" Csavar	Acél	16
3	8518432	1/2" x 1" Csavar	Acél	16
4	8550153	Kerék Hegesztett Elem	Acél	4
5	8550155	Szögletes Hegesztett Elem	Acél	4
6	8550156	Szerelt Hegesztett Elem	Acél	4
7	9501243	1/2" Alátét	Acél	8
8	9501831	1/2" Hatlapú Anya	Acél	20
9	9504221	1/2" Alátét	Acél	16
10	9504813	1/2" Hatlapú Anya	Acél	16
11	9509276	1/2" x 1 3/4" Csavar	Acél	16
12	9510153	1/2" x 3 1/4" Csavar	Acél	4
13	9515081	Görgős Kerék	Acél, Uretán	4



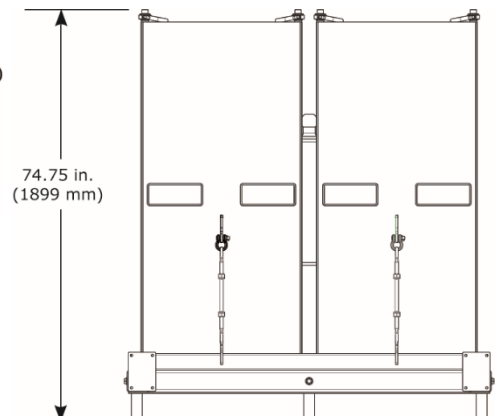
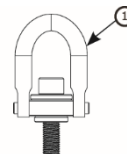
	8530907	8530908	8530777
Súly	108 lb. (49 kg)	152 lb. (69 kg)	12 lb. (5.4 kg)



	Cikkszám	Leírás	Anyag	Mennyiség
1	9504221	1/2" Záró Alátét	Acél	16
2	8510037	1/2" Alátét	Acél	16
3	8518432	1/2" x 1" Csavar	Acél	16
4	8550177	Kerék Hegesztett Elem	Acél	4



Alkatrészlista				
	Cikkszám	Leírás	Anyag	Mennyiség
1	9512574	Emelőgyűrű	Acél	4





M200 Ellensúly Alap Súlypontja

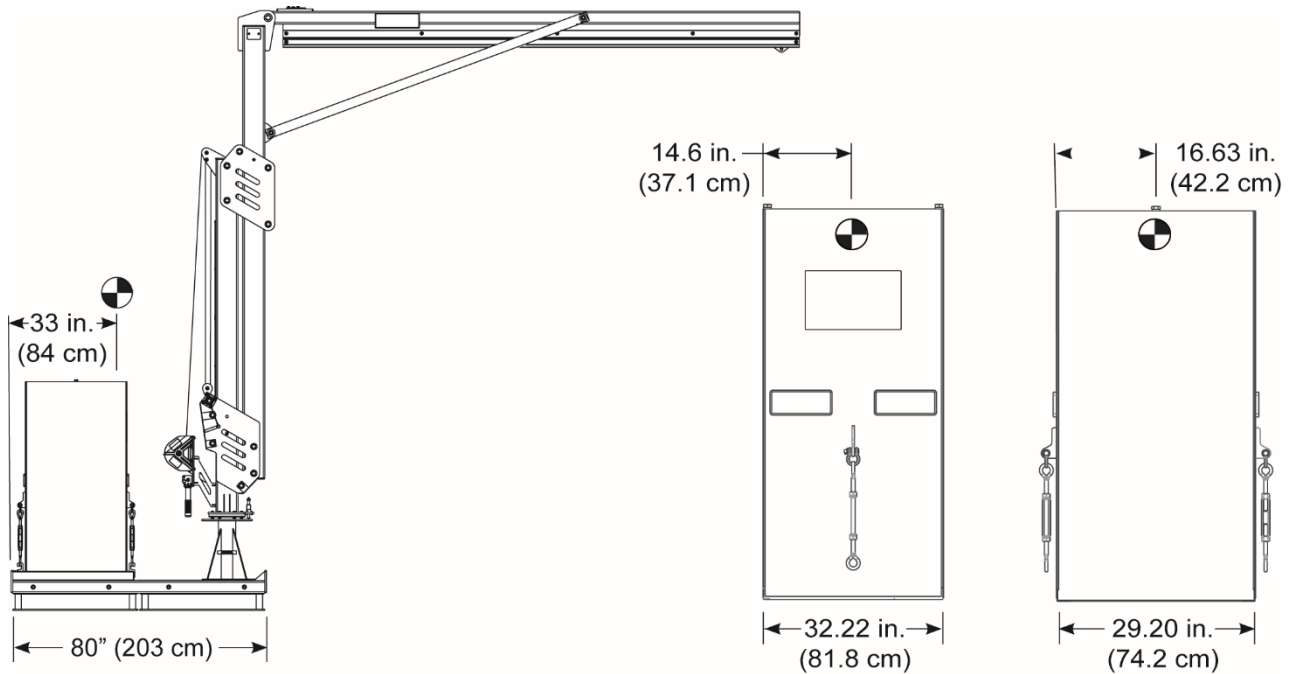
MŰSZAKI ADATLAP: 8530886, 8530887





Fall Protection

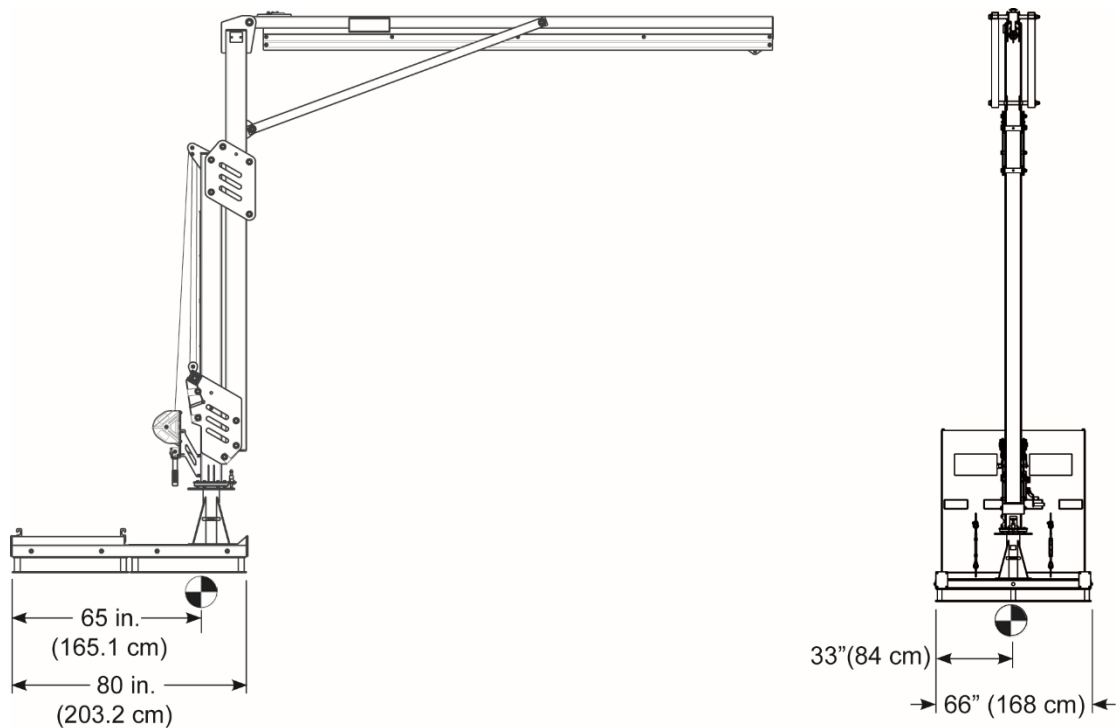
8530887	8530898
 .lb (kg)	12,668 lbs. (5,746 kg)

 .lb (kg)	5,000 lbs. (2,268 kg)
--	--------------------------



8530887	8530898
 .lb (kg)	2,668 lbs. (1,210 kg)

8530887	8530898
 .lb (kg)	12,668 lbs. (5,746 kg)



M200 Padlóra Szerelhető Alap

MŰSZAKI ADATLAP: 8530888



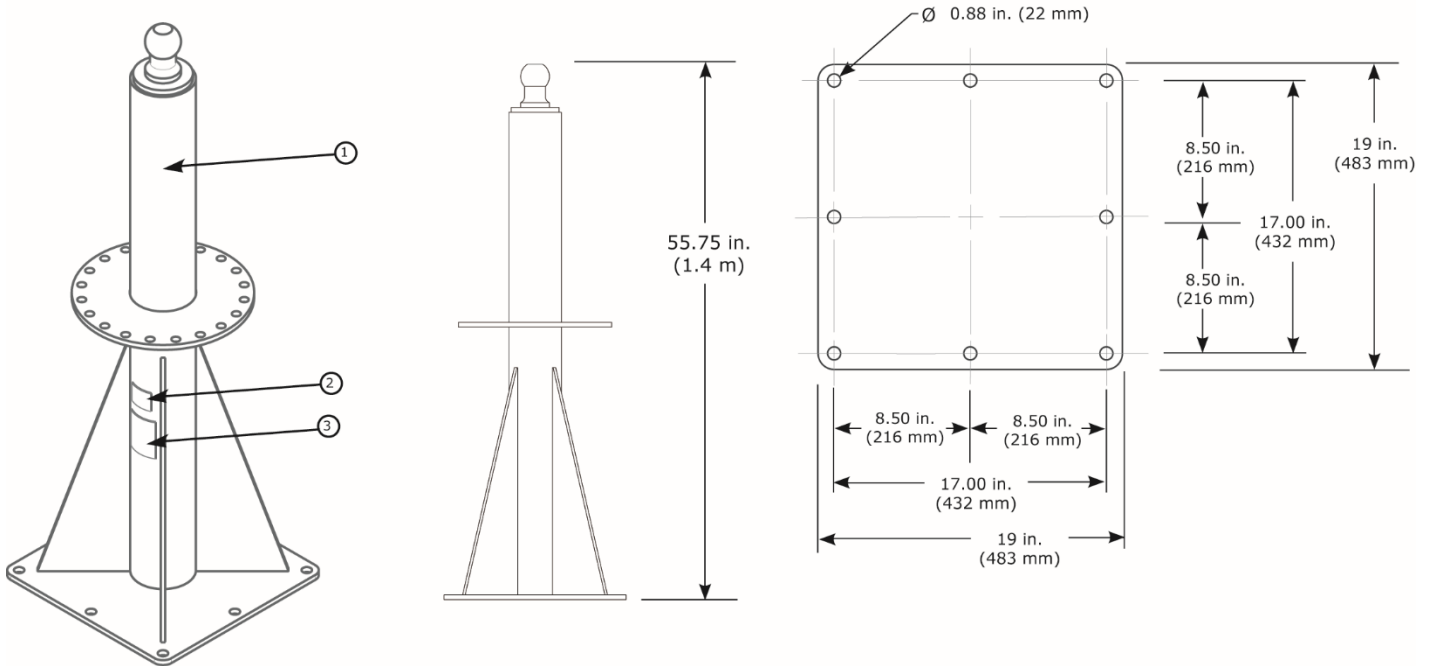
ALKALMAZÁS:

A daru alapja úgy van tervezve, hogy a darurendszer rögzítési pontjaként szolgáljon.

A termék telepítésével kapcsolatos további információkért tekintse meg a használati utasítást.

Szabványok: CEN/TS 16415:2013 A típus, EN795:2012 A típus, OSHA 1910.140, OSHA 1926.502

	Súly
8530888	265 lb. (120 kg)



Alkatrészlista				
	Cikkszám	Leírás	Anyag	Mennyiség
1	8549921	Alap Hegesztett Elem	Acél	1
2	9514429	Azonosító Címke	Poliészter	1
3	9515114	Felhasználói Címke	Poliészter	1

Rögzítési Követelmények		
Minimális Rögzítő Kihúzó Erő	Rögzítési Szerkezet Minimális Nyomatéki Terhelés	Rögzítési Szerkezet Minimális Függőleges Terhelés
9,386 lb. (4,257 kg)	501,633 in.-lb. (56,677 N-m)	3,320 lb. (1,506 kg) + Alap súlya + M200 Gém Súlya

M200 Süllyesztett Alap

MŰSZAKI ADATLAP: 8530889, 8530920, 8530921



Fall Protection

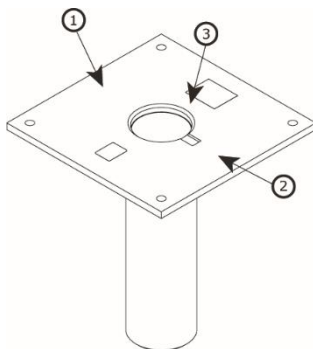
ALKALMAZÁS:

A daru alapja úgy van tervezve, hogy a darurendszer rögzítési pontjaként szolgáljon.

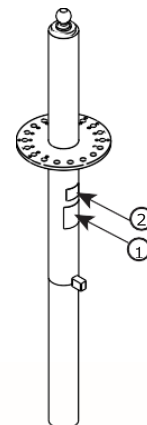
A termék telepítésével kapcsolatos további információkért tekintse meg a használati utasítást.

Szabványok: CEN/TS 16415:2013, EN795:2012 A típus, OSHA 1910.140, OSHA 1926.502

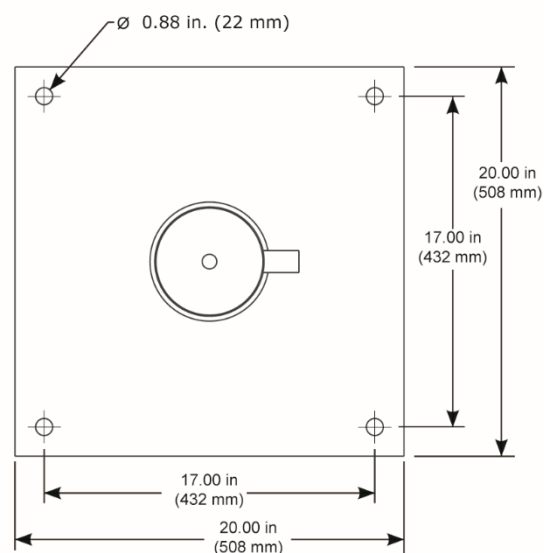
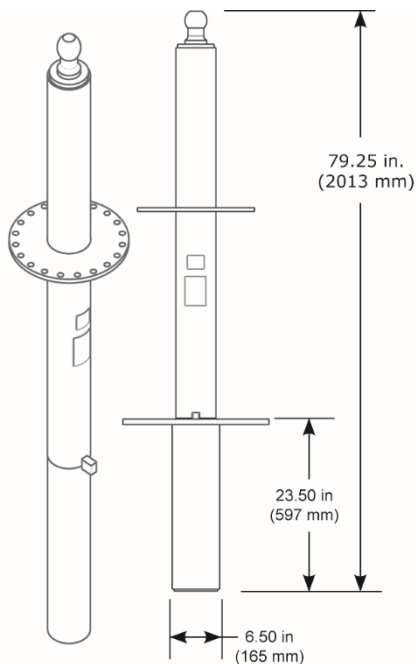
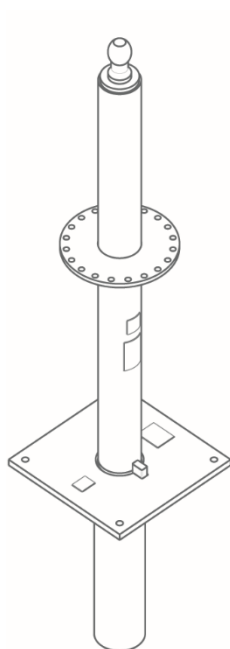
	Súly
8530920	140 lb. (64 kg)



	Súly
8530921	237 lb. (107 kg)



	Súly
8530889	377 lb. (171 kg)

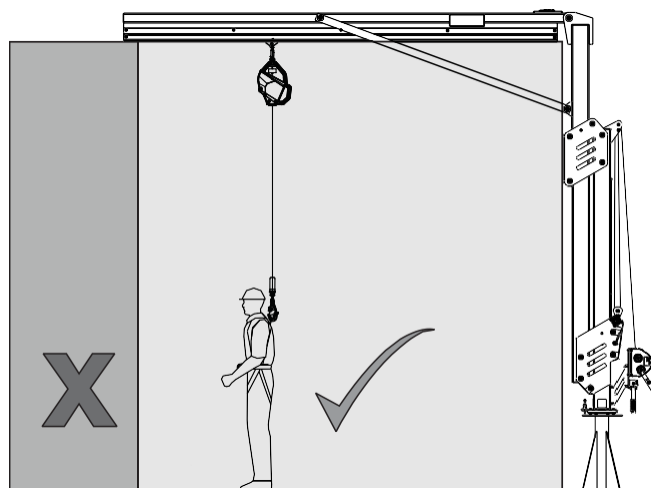
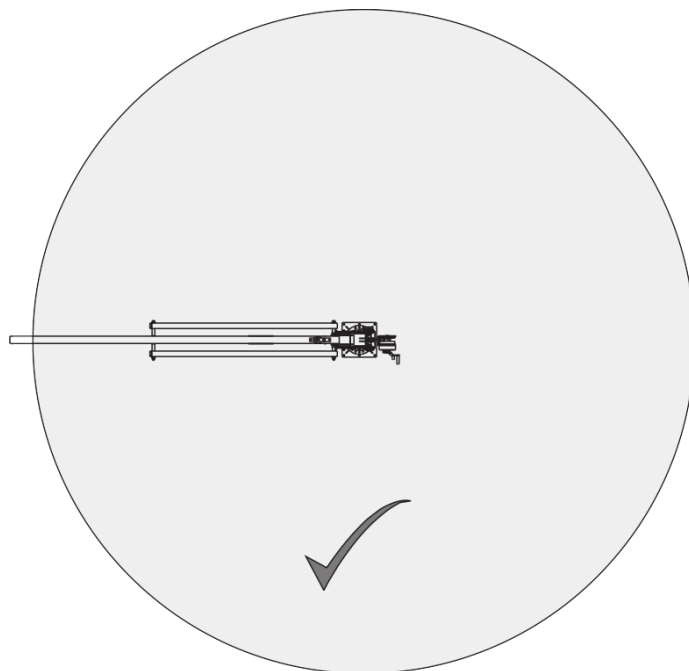


Alkatrészlista				
	Cikkszám	Leírás	Anyag	Mennyiség
1	9515114	Felhasználói Címke	Poliészter	1
2	9514429	Azonosító Címke	Poliészter	1
3	8550165	Alap Sapka	Alumínium, Gumi	1

Rögzítési Követelmények	
Rögzítési Szerkezet Minimális Nyomatéki Terhelés	Rögzítési Szerkezet Minimális Független Terhelés
501,633 in-lb. (56,677 N-m)	3,320 lb. (1,506 kg) + Alap súlya + M200 Gém Súlya

ALKALMAZÁS:

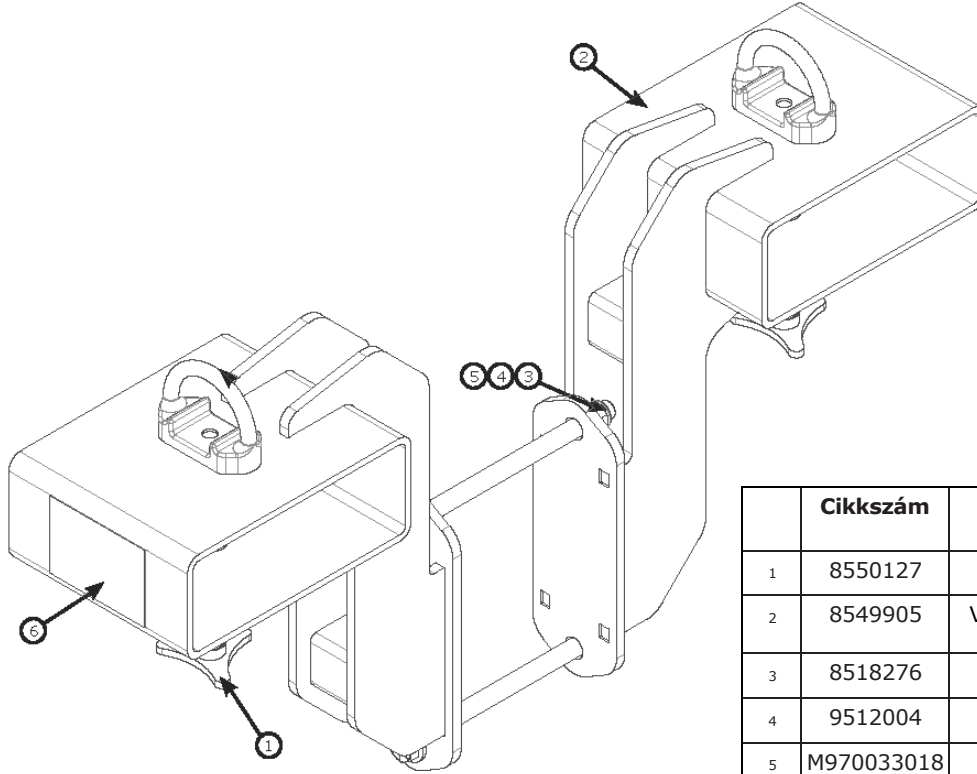
Tekintse meg az alábbi ábrát a termék munkaterületéhez.



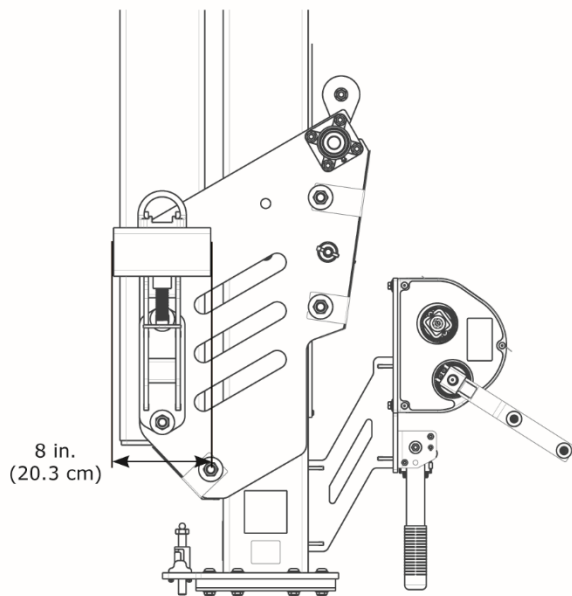
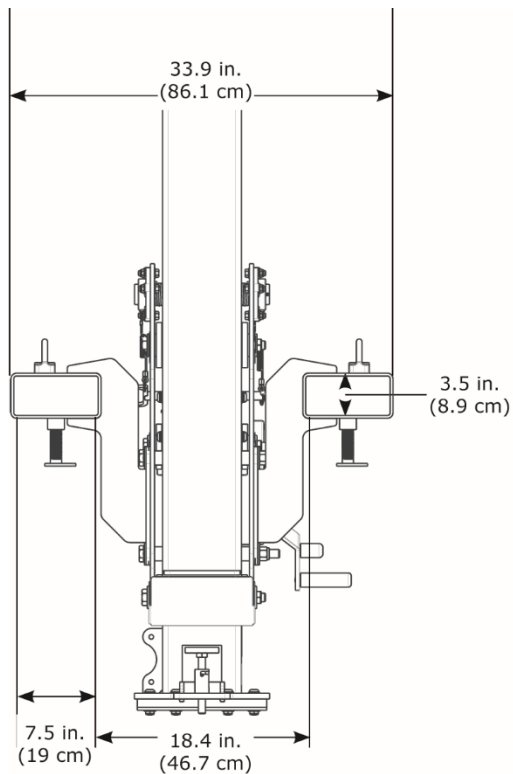
ALKALMAZÁS:

Ez a villa zseb készlet modell az **8530891–8530898** csörlővel működtetett daru modellek szállítására lett tervezve.

Az alkatrészek telepítésével kapcsolatos további információkért tekintse meg a használati utasítást.



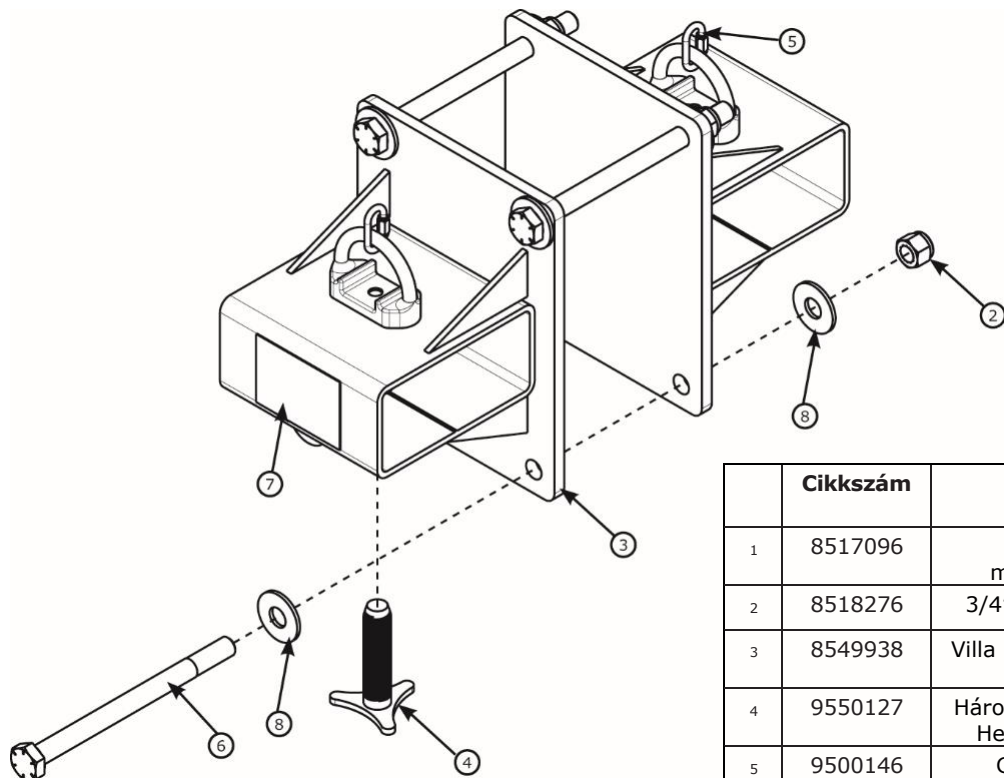
	Cikkszám	Alkatrész	Mennyiség
1	8550127	Háromszoros Csavar	2
2	8549905	Villa Zseb Hegesztett Elem	2
3	8518276	3/4" Hatlapú Anya	2
4	9512004	3/4" x 12" Csavar	2
5	M970033018	3/4" Alátét	4
6	9515122	Felhasználói Címke	1
	9500146	Láncszem	2
	8517096	Lánc	10 ft.



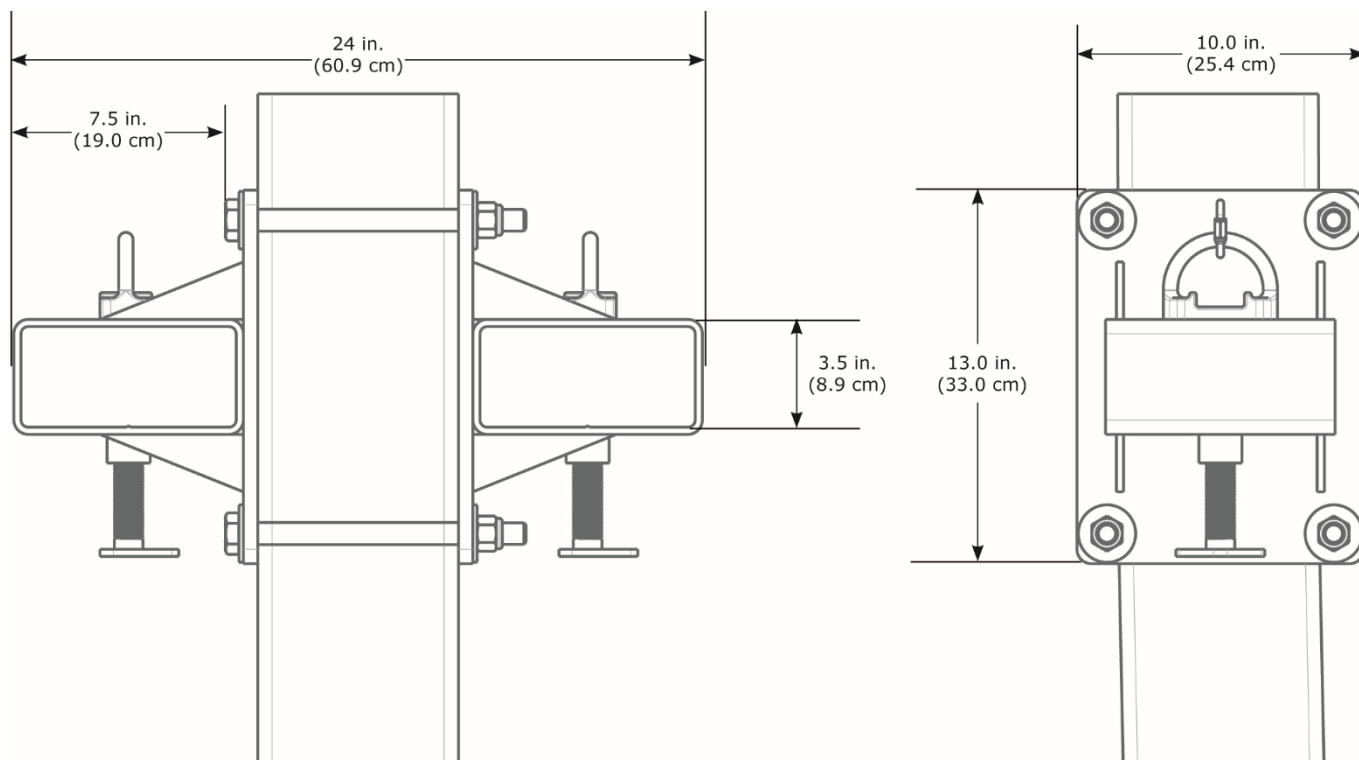
ALKALMAZÁS:

Ez a villa zseb készlet modell az **8530899–8530904** állítási csatornával rendelkező daru modellek szállítására lett tervezve.

Az alkatrészek telepítésével kapcsolatos további információkért tekintse meg a használati utasítást.



	Cikkszám	Alkatrész	Mennyiség
1	8517096	Lánc (nincs megjelenítve)	10 ft.
2	8518276	3/4" Hatlapú Anya	4
3	8549938	Villa Zseb Hegesztett Elem	2
4	9550127	Háromszoros Csavar Hegesztett Elem	2
5	9500146	Gyorskapocs	2
6	9514294	3/4" Hatlapú Fejű Csavar	4
7	9515573	Figyelmeztető Címke	1
8	M970033018	3/4" Alátét	8



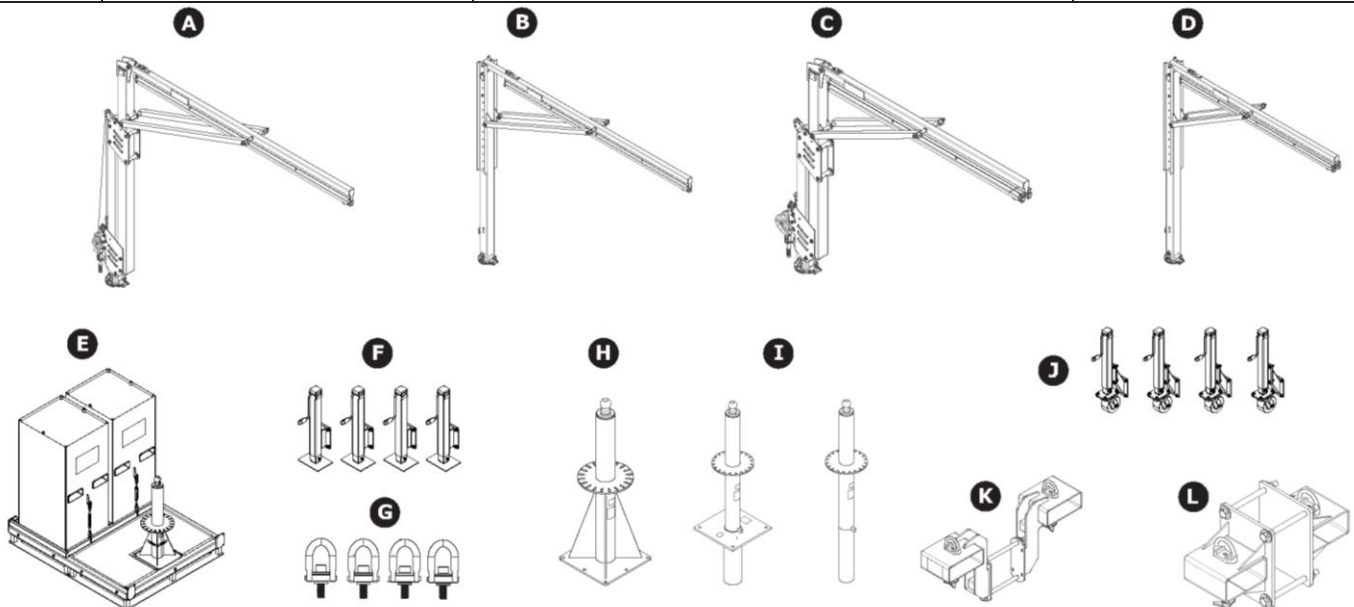


Fall Protection

**3M™ DBI-SALA®
M200 Davit kerfi**

**Tæknileg gögnblað Pakki
5908526 Rev. D**

Aðvörun	Tæknileg gögnblað	Lýsing	Blaðsíða
A	8530891	12,3 ft.–15 ft. (3,8 m–4,6 m) Stillanlegur Davit	254
	8530892	14,8 ft.–20 ft. (4,5 m–6,1 m) Stillanlegur Davit	254
	8530893	17,3 ft.–25 ft. (5,3 m–7,6 m) Stillanlegur Davit	254
	8530894	19,8 ft.–30 ft. (6,1 m–9,1 m) Stillanlegur Davit	254
B	8530899	15 ft.–20 ft. (4,6 m–6,1 m) Hálffastur Davit	256
	8530900	20 ft.–25 ft. (6,1 m–7,6 m) Hálffastur Davit	256
	8530901	25 ft.–30 ft. (7,6 m–9,1 m) Hálffastur Davit	256
C	8530895	12,3 ft.–15 ft. (3,8 m–4,6 m) Stillanlegur Davit	258
	8530896	14,8 ft.–20 ft. (4,5 m–6,1 m) Stillanlegur Davit	258
	8530897	17,3 ft.–25 ft. (5,3 m–7,6 m) Stillanlegur Davit	258
	8530898	19,8 ft.–30 ft. (6,1 m–9,1 m) Stillanlegur Davit	258
D	8530902	15 ft.–20 ft. (4,6 m–6,1 m) Hálffastur Davit	260
	8530903	20 ft.–25 ft. (6,1 m–7,6 m) Hálffastur Davit	260
	8530904	25 ft.–30 ft. (7,6 m–9,1 m) Hálffastur Davit	260
E	8530886	Ófylltur Mótvægisgrunnur	262
	8530887	Fylltur Mótvægisgrunnur	262
F	8530907	Mótvægisgrunnur Tjakka	264
G	8530777	Lyftihringir fyrir Mótvægisgrunn	264
H	8530888	Gólfgrunnur	266
I	8530889, 8530920, 8530921	Innfelddur Grunnur	267
J	8530908	Hjól fyrir Mótvægisgrunn	264
K	8530912	Gaffalvasasett	269
L	8530925	Gaffalvasasett	270



Stillanlegur Davit

TÆKNILEG GÖGNABLAÐ: 8530891-8530894

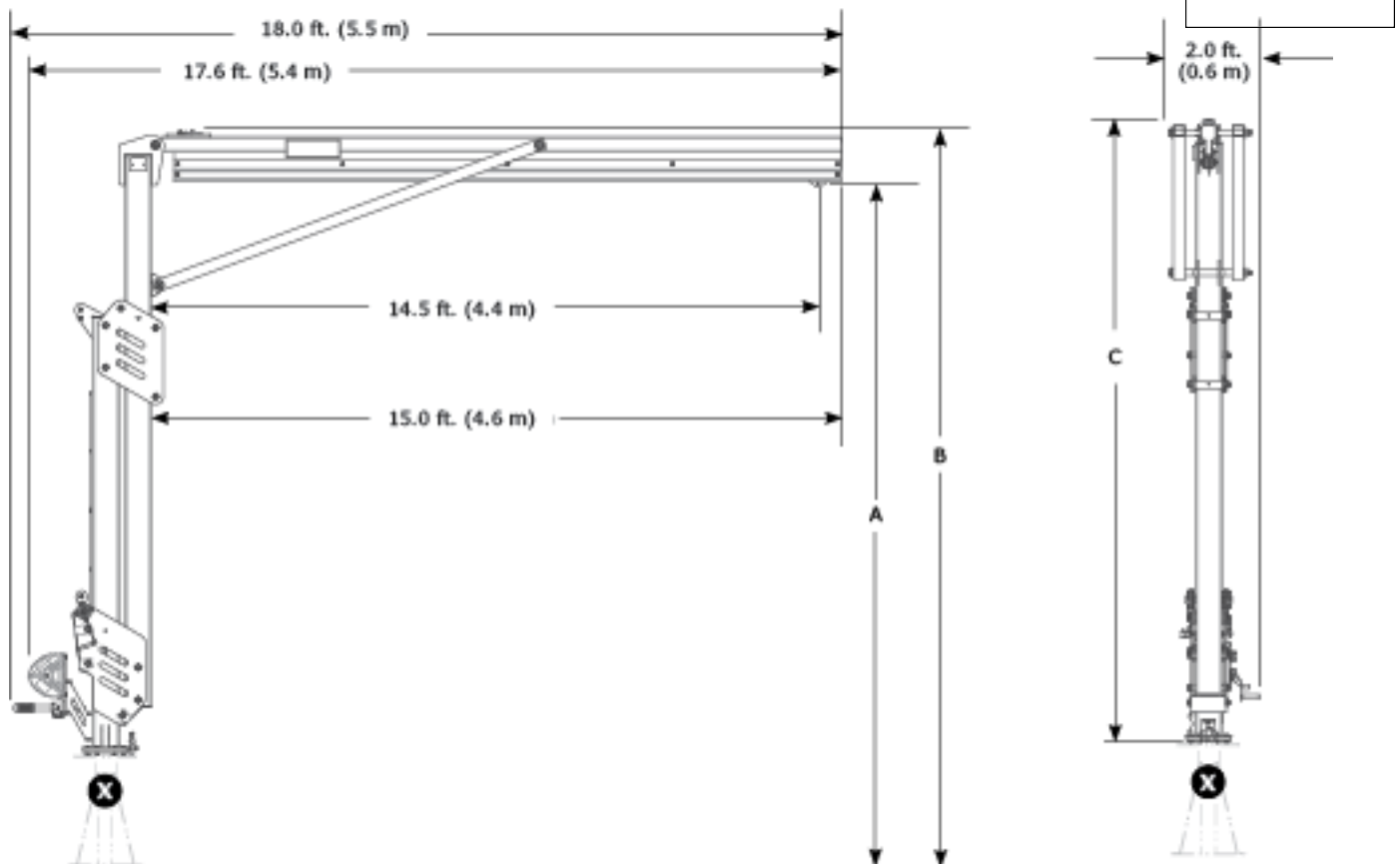


NOTKUN:

Davitinn er hannaður til að veita festipunkta fyrir fallvarnarkerfi.

Fyrir frekari upplýsingar um uppsetningu vörunnar, vinsamlegast skoðaðu notendaleiðbeiningarnar.

Staðlar: EN795:2012 Tegund E, OSHA 1910.140, OSHA 1926.502



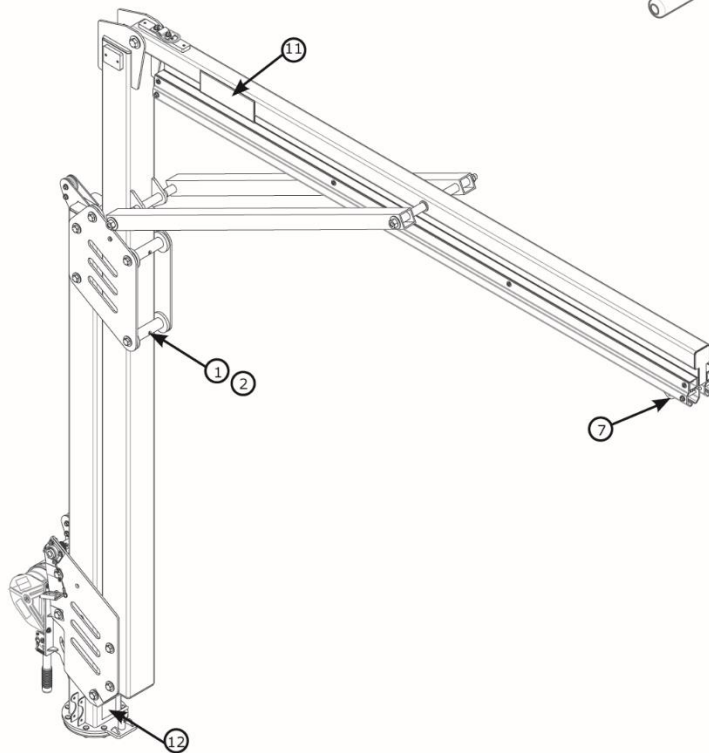
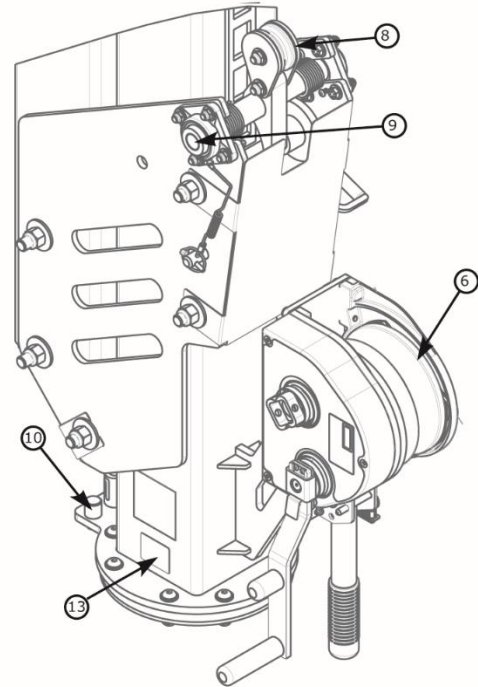
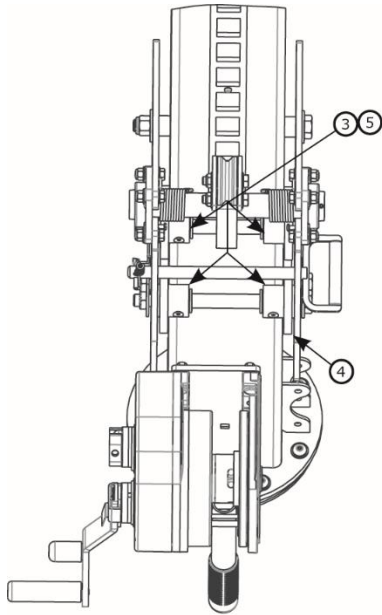
	A	B	C	lb. (kg)
8530891	12.3 ft. - 15.0 ft. (3.8 m - 4.6 m)	13.4 ft. - 16.1 ft. (4.1 m - 4.9 m)	9.8 ft. - 14.8 ft. (3.0 m - 4.5 ft.)	945 lb. (429 kg)
8530892	14.8 ft. - 20.0 ft. (4.5 m - 6.1 m)	15.9 ft. - 21.1 ft. (4.8 m - 6.4 m)	13.5 ft. - 18.7 ft. (4.1 m - 5.7 m)	1,057 lb. (479 kg)
8530893	17.3 ft. - 25.0 ft. (5.3 m - 7.6 m)	18.4 ft. - 26.1 ft. (5.6 m - 8.0 m)	16.0 - 23.7 ft. (4.9 m - 7.2 m)	1,169 lb. (530 kg)
8530894	19.8 ft. - 30.0 ft. (6.0 m - 9.1 m)	20.9 ft. - 31.1 ft. (6.4 m - 9.5 m)	18.5 ft. - 28.7 ft. (5.6 m - 8.7 m)	1,281 lb. (581 kg)

Hlutar fyrir stillanlegan Davit

TÆKNILEG GÖGNABLAÐ: 8530891-8530894



Fall Protection



Íhlutalisti

	Hluta númer	Lýsing	Efni	Magn
1	8550046	Breiður Veltir	Nylon	3
2	8550047	Breiður Veltir Millistykki	304 Ryðfrítt Stál	3
3	8550327	Mjór Veltir	Nylon	2
4	9514703	Hliðar Veltir	Nylon	8
5	8550213	Mjór Veltir Millistykki	304 Ryðfrítt Stál	2
6	8549930	Vindur	Stál	1
7	8521711	Kerra	Stál, Nylon	1

Íhlutalisti

	Hluta númer	Lýsing	Efni	Magn
8	8550223	Læsibúnaður (aðeins viðurkennd viðgerð)	Stál, Nylon	1
9	9515138	Legur	Stál	2
10	8550398	Snúningsstöðvun	Ál	2
11	9515111	3M Merki	Pólýester	2
12	9515101	Snúningsmerki	Pólýester	1
13	9514429	Auðkennismerki	Pólýester	1
14	9515112	Notendamerki	Pólýester	1

Hálffastur Davit

TÆKNILEG GÖGNABLAÐ: 8530899–8530901





NOTKUN:

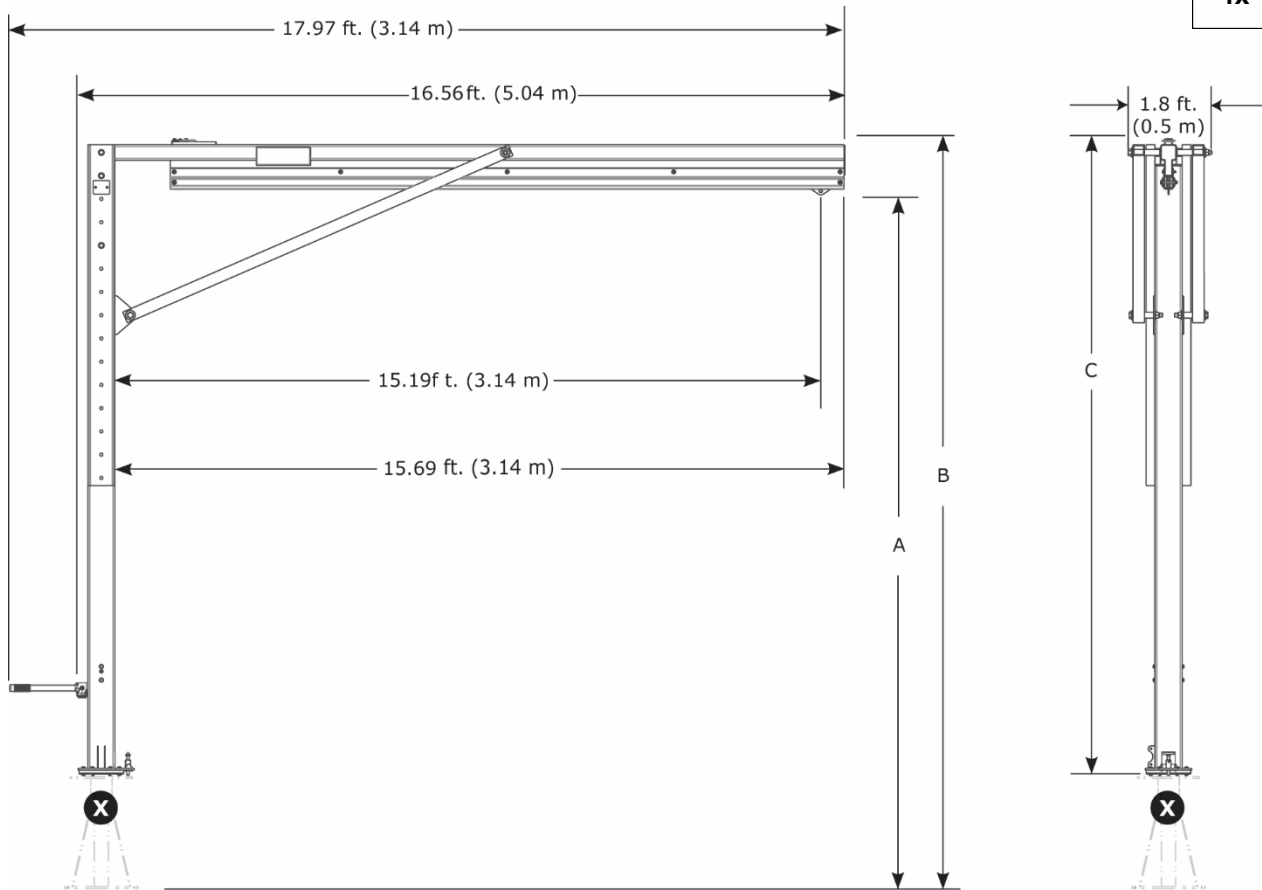
Davitinn er hannaður til að veita festipunkta fyrir fallvarnarkerfi.

Fyrir frekari upplýsingar um uppsetningu vörunnar, vinsamlegast skoðaðu notendaleiðbeiningarnar.

Staðlar: EN795:2012 Tegund E, OSHA 1910.140, OSHA 1926.502


≤ 1350 lb.
(6 kN)

1x

≤ 310 lb.
(140 kg)



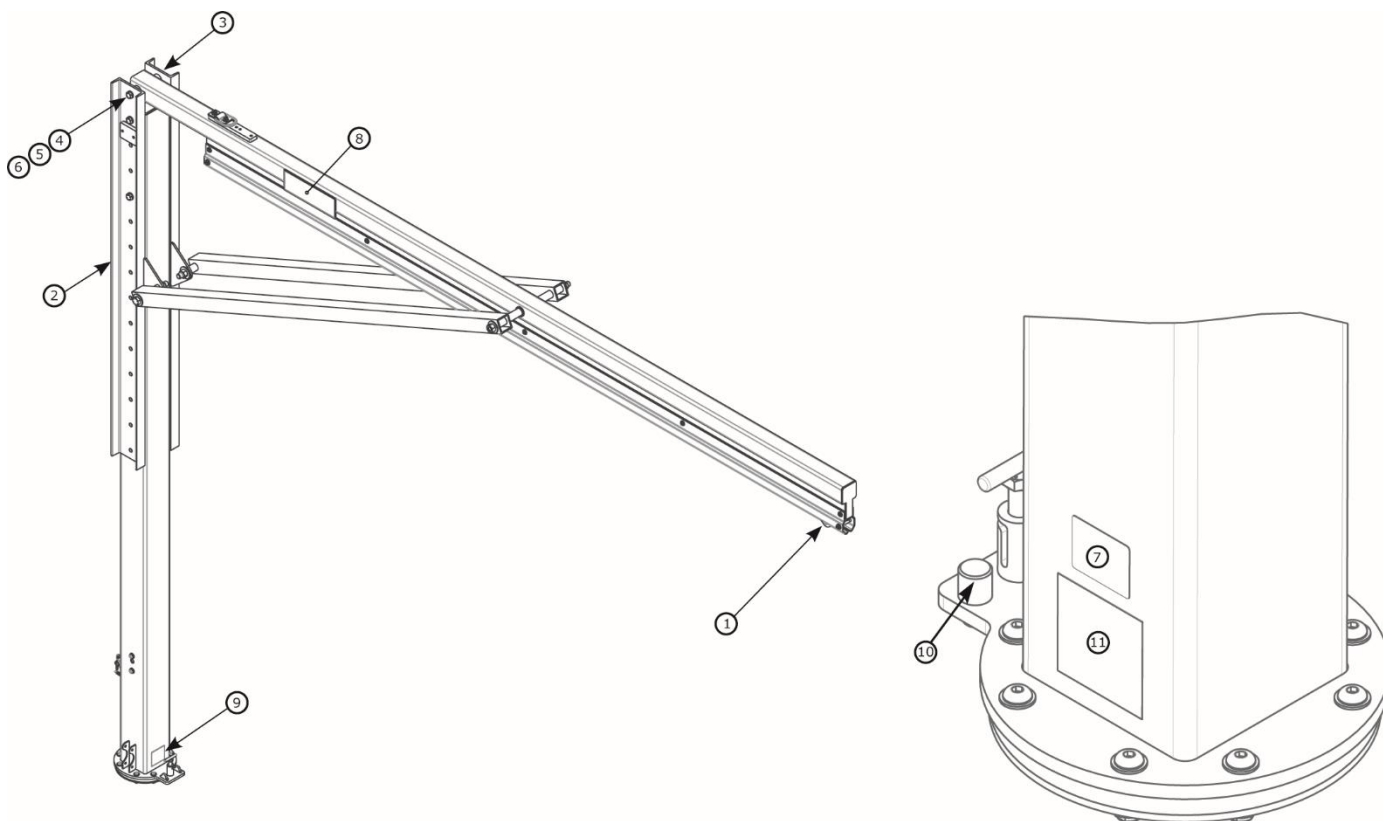
	A	B	C	lb. (kg)
8530899	15.0 ft. – 20.0 ft. (4.6 m – 6.1 m)	16.1 ft. – 21.1 ft. (4.9 m – 6.4 m)	13.7 ft. – 18.7 ft. (4.2 m – 5.7 m)	818 lb. (371 kg)
8530900	20.0 ft. – 25.0 ft. (6.1 m – 7.6 m)	21.1 ft. – 26.1 ft. (6.4 m – 7.9 m)	18.7 ft. – 23.7 ft. (5.7 m – 7.2 m)	930 lb. (422 kg)
8530901	25.0 ft. – 30.0 ft. (7.6 m – 9.1 m)	26.1 ft. – 31.1 ft. (7.9 m – 9.6 m)	23.7 ft. – 28.7 ft. (7.2 m – 8.7 m)	1,041 lb. (472 kg)
+6" (152 mm) stillingarbil				

Hlutar fyrir hálffastan Davit

TÆKNILEG GÖGNABLAÐ: 8530899-8530901

3M

DBI
SALA
Fall Protection



	Hluta númer	Lýsing	Efni	Magn
1	8521711	Kerra	Ryðfrítt stál, Stál, Nylon	1
2	8549933	Björgunarfest ingarrás	Stál	1
3	8550248	Rás	Stál	1
4	8526654	3/4" x 9" Bolti	Stál	2
5	8522275	3/4" Þvottavél	Stál	4
6	8518276	3/4" Ró	Stál	2
7	9514429	Auðkennismerki	Pólýester	1

	Hluta númer	Lýsing	Efni	Magn
8	9515111	3M Merki	Pólýester	2
9	9515101	Snúningsmerki	Pólýester	1
10	8550398	Snúningsstöðvun	Ál	2
11	9515112	Notendamerki	Pólýester	1

Stillanlegur Davit

TÆKNILEG GÖGNABLAÐ: 8530895–8530898





NOTKUN:

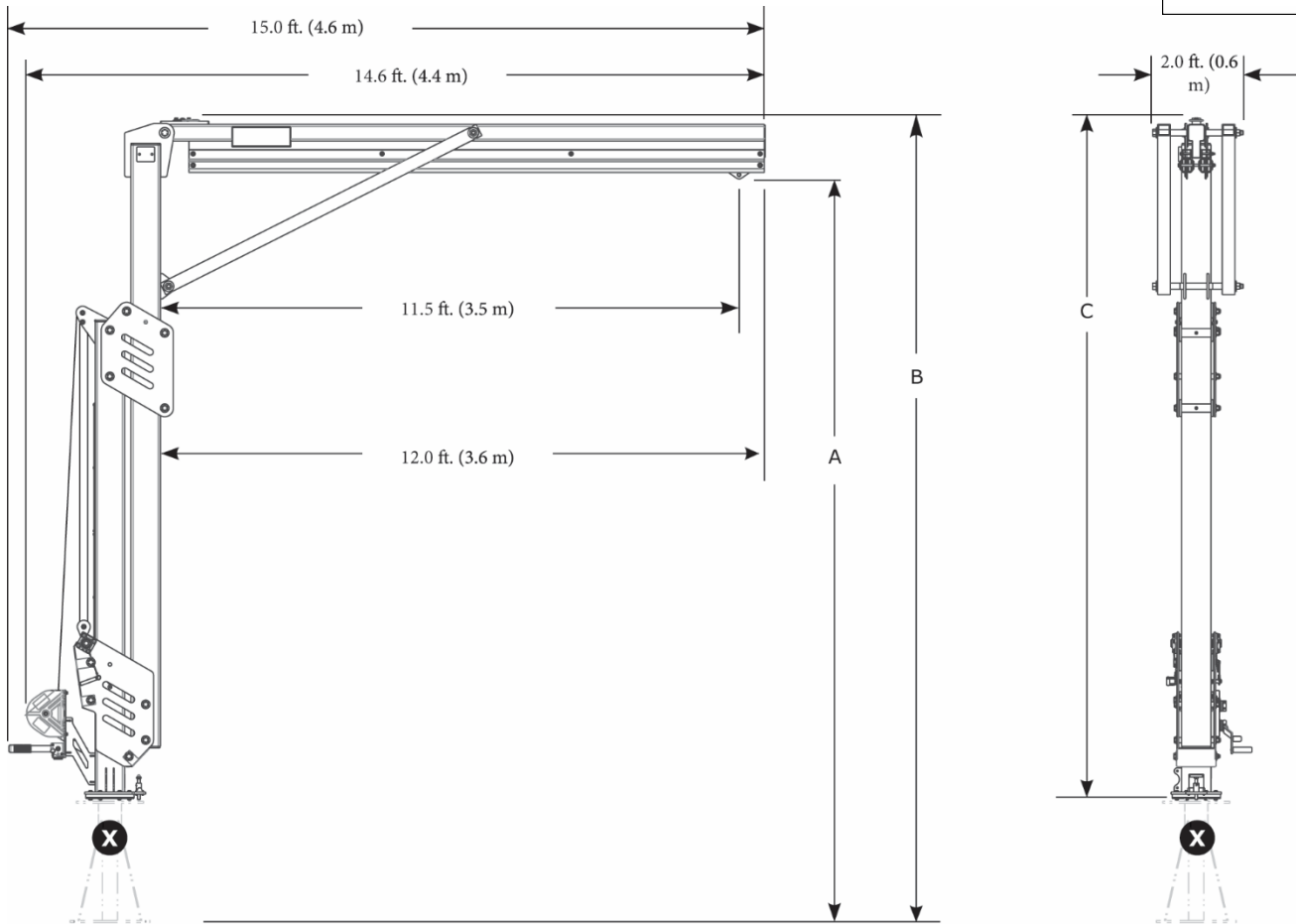
Davitinn er hannaður til að veita festipunkta fyrir fallvarnarkerfi.

Fyrir frekari upplýsingar um uppsetningu vörunnar, vinsamlegast skoðaðu notendaleiðbeiningarnar.

Staðlar: CEN/TS 16415:2013 Tegund E, EN795:2012 Tegund E, OSHA 1910.140, OSHA 1926.502


 ≤ 1350 lb.
(6 kN)


 ≤ 310 lb.
(140 kg)



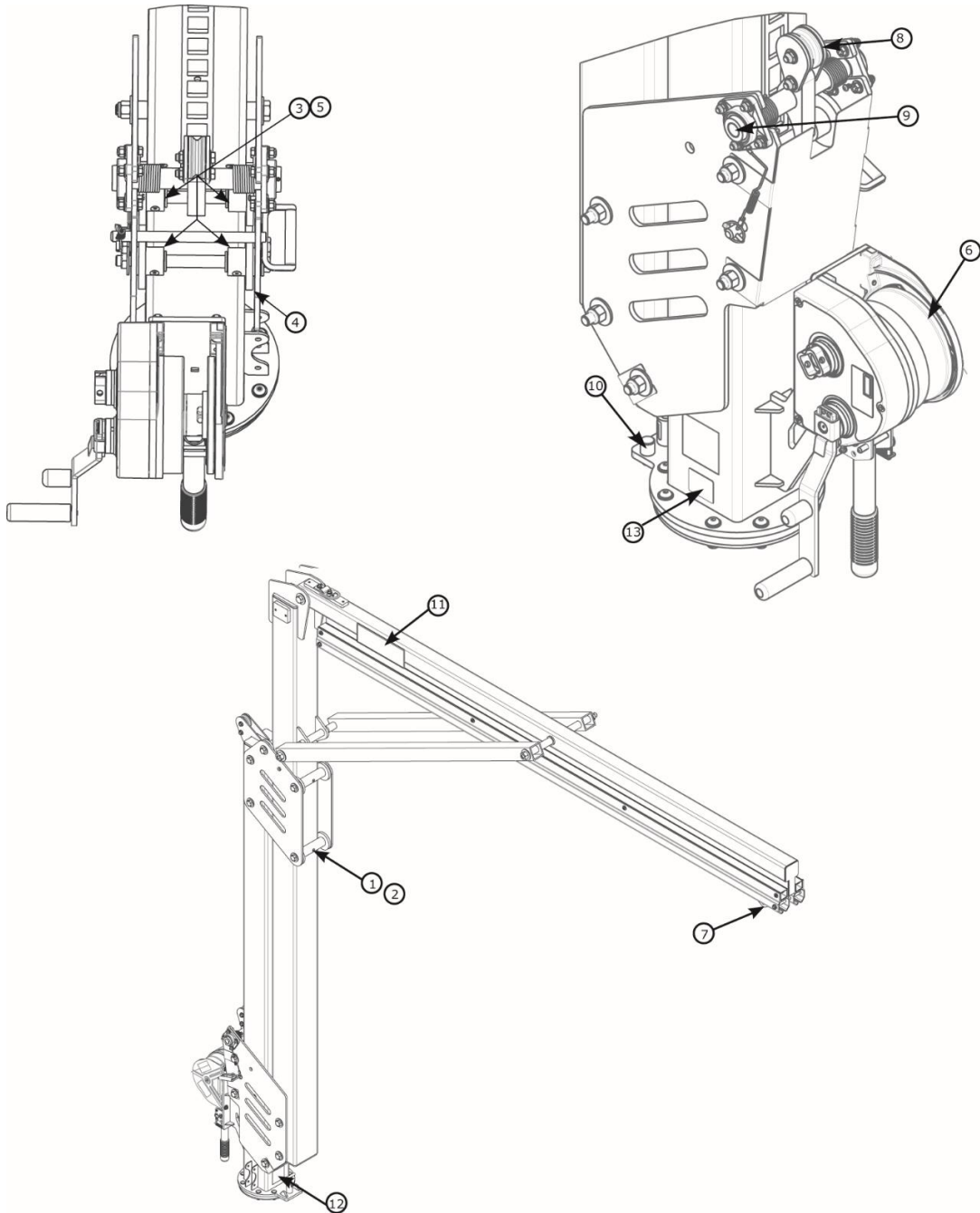
	A	B	C	lb. (kg)
8530895	12.3 ft. – 15.0 ft. (3.8 m – 4.6 m)	13.4 ft. – 16.1 ft. (4.1 m – 4.9 m)	11.0 ft. – 13.7 ft. (3.4 m – 4.2 ft.)	1,011 lb. (459 kg)
8530896	14.8 ft. – 20.0 ft. (4.5 m – 6.1 m)	15.9 ft. – 21.1 ft. (4.8 m – 6.4 m)	13.5 ft. – 18.7 ft. (4.1 m – 5.7 m)	1,123 lb. (509 kg)
8530897	17.3 ft. – 25.0 ft. (5.3 m – 7.6 m)	18.4 ft. – 26.1 ft. (5.6 m – 8.0 m)	16.0 – 23.7 ft. (4.9 m – 7.2 m)	1,235 lb. (560 kg)
8530898	19.8 ft. – 30.0 ft. (6.0 m – 9.1 m)	20.9 ft. – 31.1 ft. (6.4 m – 9.5 m)	18.5 ft. – 28.7 ft. (5.6 m – 8.7 m)	1,343 lb. (609 kg)

Hlutar fyrir stillanlegan Davit

TÆKNILEG GÖGNABLAÐ: 8530895–8530898

3M

**DBI
SALA®**
Fall Protection



Íhlutalisti				
	Hluta númer	Lýsing	Efni	Magn
1	8550046	Breiður Veltir	Nylon	3
2	8550047	Breiður Veltir Millistykki	304 Ryðfrítt Stál	3
3	8550327	Mjór Veltir	Nylon	2
4	9514703	Hliðar Veltir	Nylon	8
5	8550213	Mjór Veltir Millistykki	304 Ryðfrítt Stál	2
6	8549930	Vindur	Stál	1
7	8521711	Kerra	Stál, Nylon	1

Íhlutalisti				
	Hluta númer	Lýsing	Efni	Magn
8	8550223	Læsibúnaður (aðeins viðurkennd viðgerð)	Stál, Nylon	1
9	9515138	Legur	Stál	2
10	8550398	Snúningsstöðvun	Ál	2
11	9515111	3M Merki	Pólýester	2
12	9515101	Snúningsmerki	Pólýester	1
13	9514429	Auðkennismerki	Pólýester	1
14	9515112	Notendamerki	Pólýester	1

Hálffastur Davit

TÆKNILEG GÖGNABLAÐ: 8530902-8530904



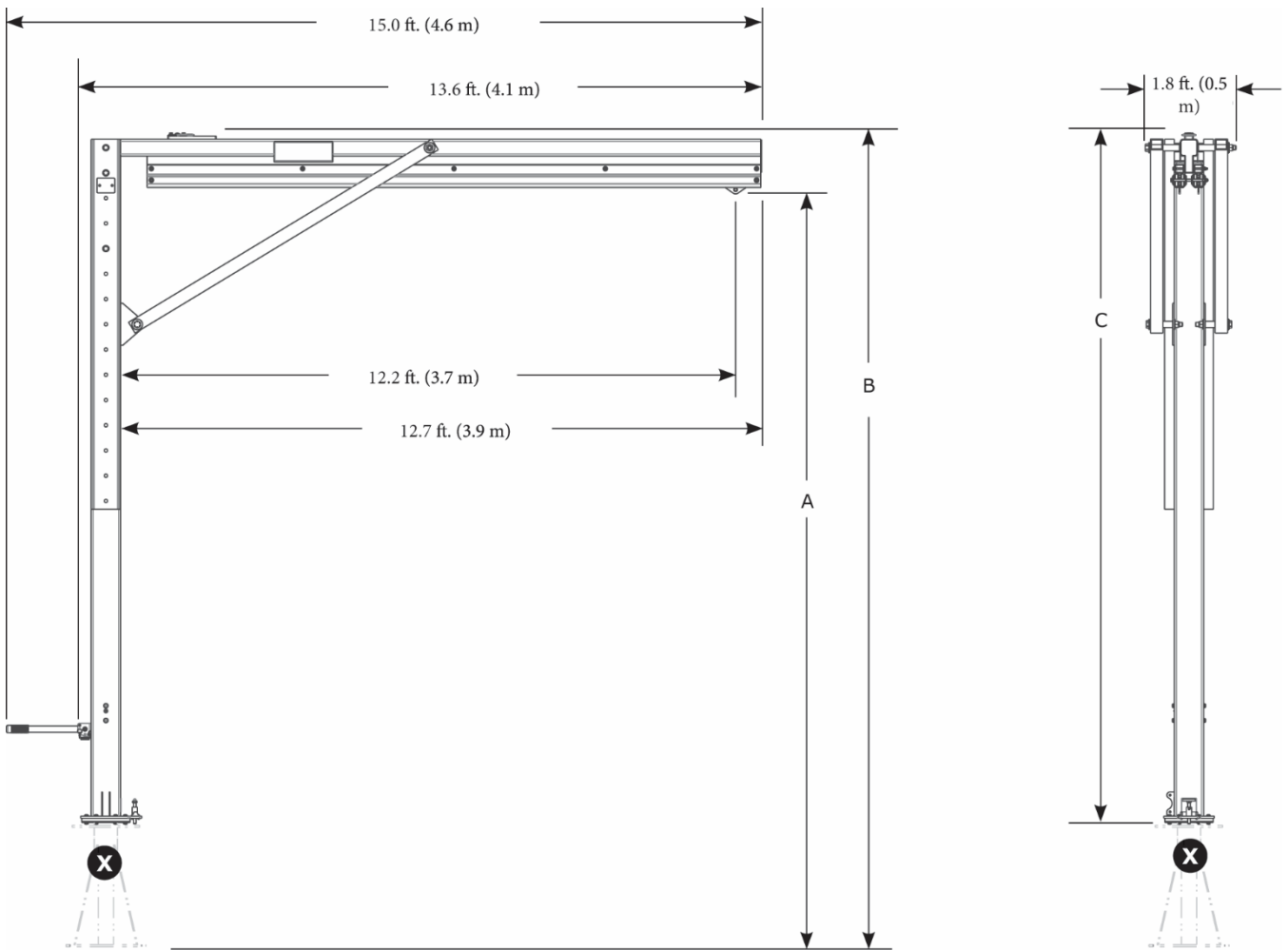
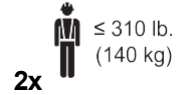
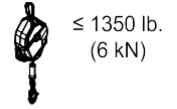
Fall Protection

NOTKUN:

Davitinn er hannaður til að veita festipunkta fyrir fallvarnarkerfi.

Fyrir frekari upplýsingar um uppsetningu vörunnar, vinsamlegast skoðuðu notendaleiðbeiningarnar.

Staðlar: CEN/TS 16415:2013 Tegund E, EN795:2012 Tegund E, OSHA 1910.140, OSHA 1926.502



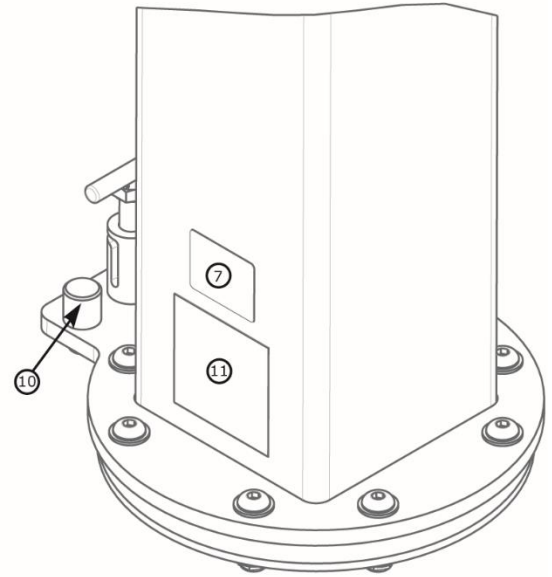
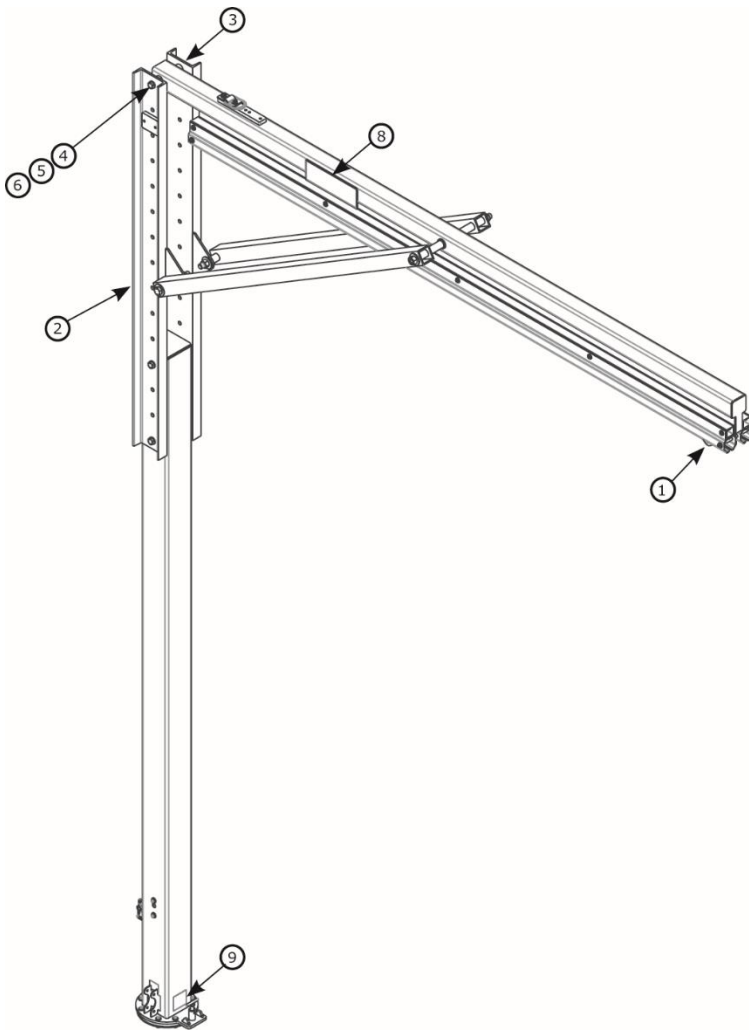
	A	B	C	lb. (kg)
8530902	15.0 ft. – 20.0 ft. (4.6 m – 6.1 m)	16.1 ft. – 21.1 ft. (4.9 m – 6.4 m)	13.7 ft. – 18.7 ft. (4.2 m – 5.7 m)	850 lb. (386 kg)
8530903	20.0 ft. – 25.0 ft. (6.1 m – 7.6 m)	21.1 ft. – 26.1 ft. (6.4 m – 7.9 m)	18.7 ft. – 23.7 ft. (5.7 m – 7.2 m)	961 lb. (436 kg)
8530904	25.0 ft. – 30.0 ft. (7.6 m – 9.1 m)	26.1 ft. – 31.1 ft. (7.9 m – 9.6 m)	23.7 ft. – 28.7 ft. (7.2 m – 8.7 m)	1,073 lb. (487 kg)

Hlutar fyrir hálffastan Davit

TÆKNILEG GÖGNABLAÐ: 8530902-8530904

3M

DBI
SALA
Fall Protection



	Hlutanúmer	Lýsing	Efni	Magn
1	8521711	Kerra	Ryðfrítt stál, Stál, Nylon	1
2	8549933	Björgunarfest ingarrás	Stál	1
3	8550248	Rás	Stál	1
4	8526654	3/4" x 9" Bolti	Stál	2
5	8522275	3/4" Þvottavél	Stál	4
6	8518276	3/4" Ró	Stál	2
7	9514429	Auðkennismerki	Pólýester	1

	Hlutanúmer	Lýsing	Efni	Magn
8	9515111	3M Merki	Pólýester	2
9	9515101	Snúningsmerki	Pólýester	1
10	8550398	Snúningsstöðvun	Ál	2
11	9515112	Notendamerki	Pólýester	1

M200 Mótvægisgrunnur

TÆKNILEG GÖGNABLAÐ: 8530886, 8530887



NOTKUN:

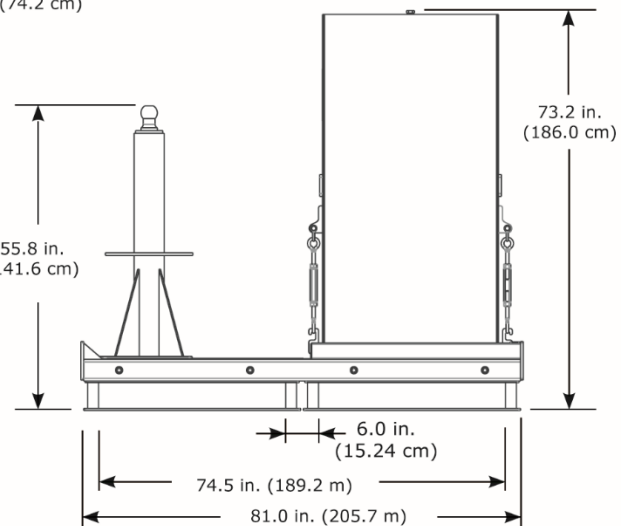
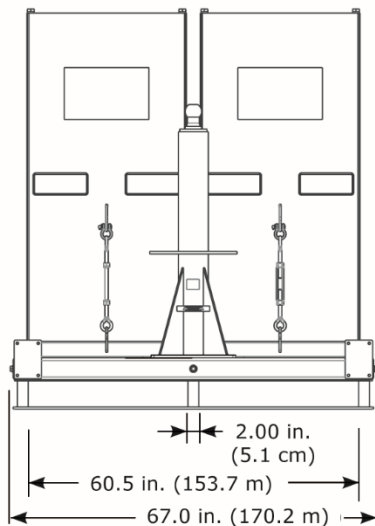
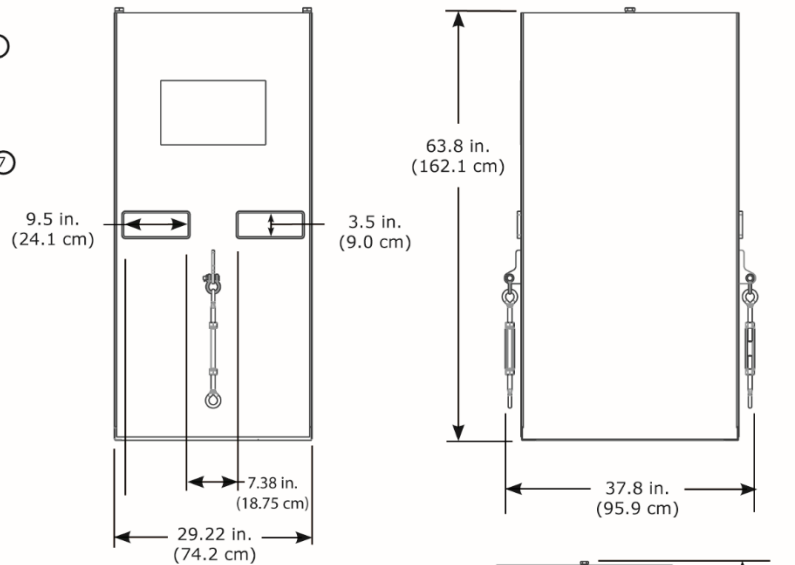
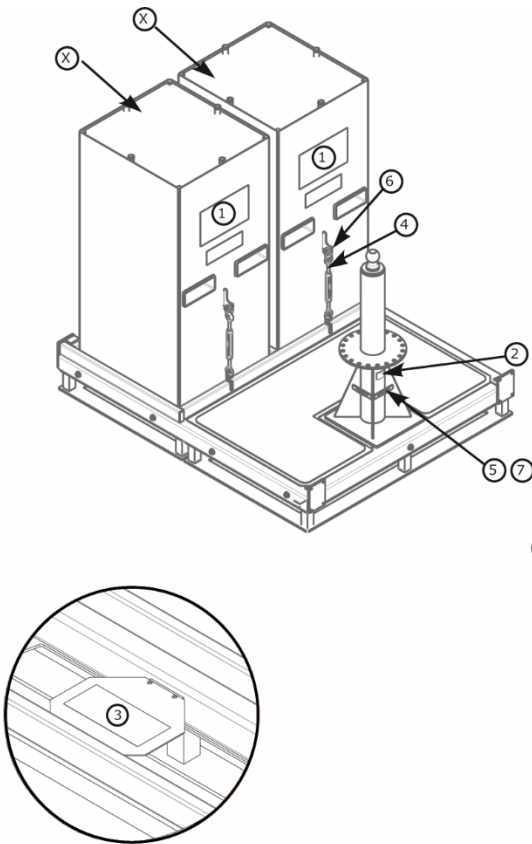
Davit grunnurinn er hannaður til að vera notaður sem festipunktur fyrir davit kerfið.

Fyrir frekari upplýsingar um uppsetningu vörunnar, vinsamlegast skoðaðu notendaleiðbeiningarnar.

Staðlar: CEN/TS 16415:2013 Tegund E, EN795:2012 Tegund E, OSHA 1910.140, OSHA 1926.502

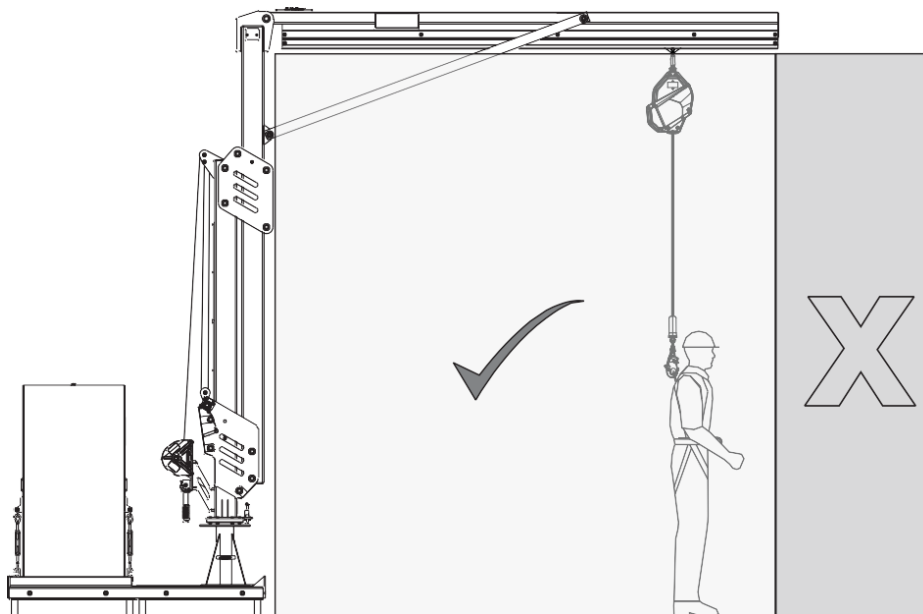
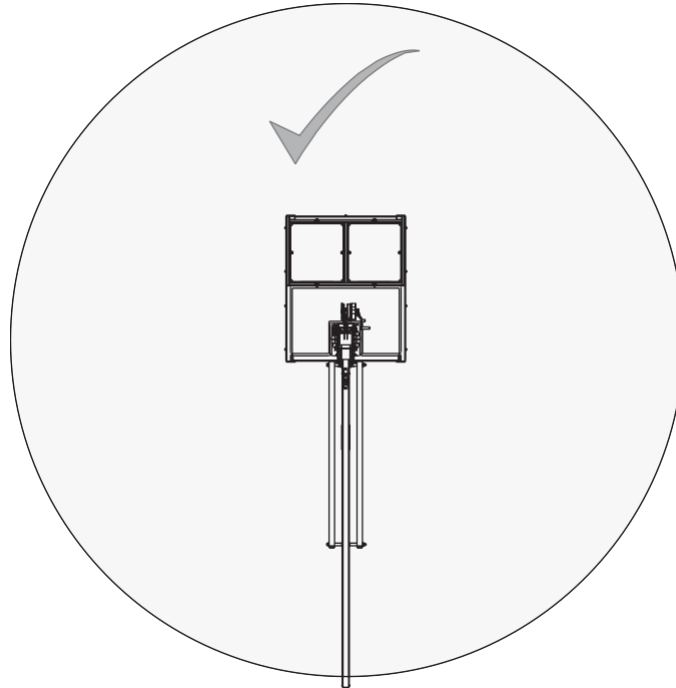
	X 4,000 psi (30 MPa)	Kröfur um hvíldarbyggingu	Þyngd
8530886		14,645 lb. (6,643 kg)	2,407 lb. (1,092 kg)
8530887	✓	+ þyngd M200 Sveifarms	11,325 lb. (5,137 kg)

Íhlutalisti				
	Hlutanúmer	Lýsing	Efni	Magn
1	9515107	Notendamerki	Pólýester	1
2	9514429	Auðkennismerki	Pólýester	1
3	9515106	Viðvörðunarkerki	Pólýester	1
4	8520575	Tjakkur	Stál	2
5	9513627	#4 Skrúfa	Stál	4
6	9501794	Keðjulykkja	Stál	2
7	9515058	Hallamælir	Plast	2
8	9515566	Viðvörðunarkerki	Pólýester	4



NOTKUN:

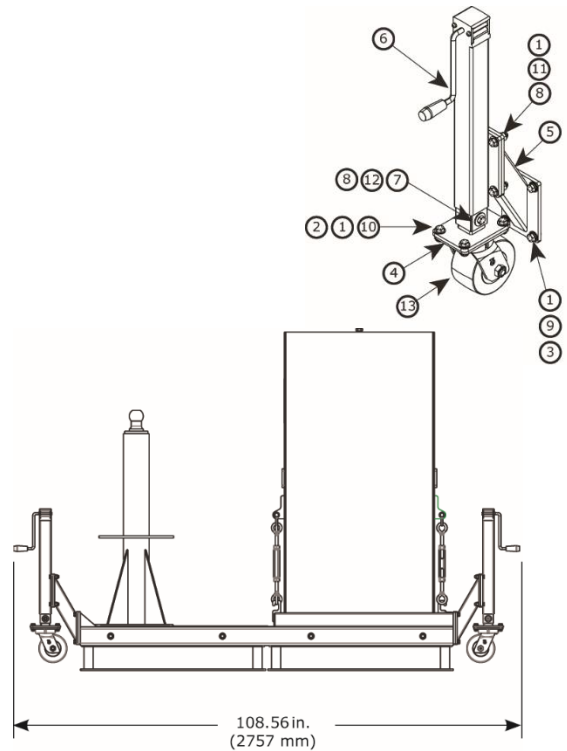
Sjáðu skýringarmyndina hér að neðan fyrir vinnusvæði vörunnar.



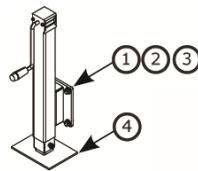
Aukahlutir fyrir M200 Mótvægisgrunn
TÆKNILEG GÖGNABLAÐ: 8530907, 8530908, 8530777



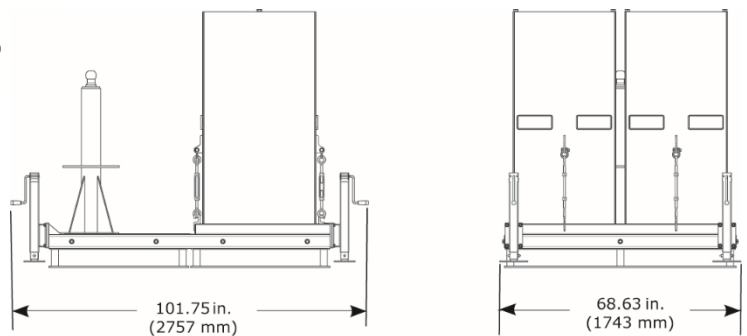
Íhlutalisti				
	Hluta númer	Lýsing	Efni	Magn
1	8510037	1/2" Þvottavél	Stál	80
2	8512460	1/2" x 1 1/4" Bolti	Stál	16
3	8518432	1/2" x 1" Bolti	Stál	16
4	8550153	Hjól Suðusamstæða	Stál	4
5	8550155	Halla Suðusamstæða	Stál	4
6	8550156	Fest Suðusamstæða	Stál	4
7	9501243	1/2" Þvottavél	Stál	8
8	9501831	1/2" Sexkantamótor	Stál	20
9	9504221	1/2" Þvottavél	Stál	16
10	9504813	1/2" Sexkantamótor	Stál	16
11	9509276	1/2" x 1 3/4" Bolti	Stál	16
12	9510153	1/2" x 3 1/4" Bolti	Stál	4
13	9515081	Snúningshjól	Stál, Úretan	4



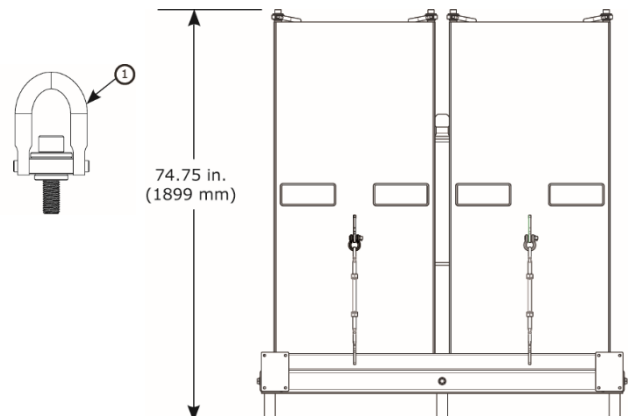
	8530907	8530908	8530777
Þyngd	108 lb. (49 kg)	152 lb. (69 kg)	12 lb. (5.4 kg)



	Hluta númer	Lýsing	Efni	Magn
1	9504221	1/2" Læsivaskur	Stál	16
2	8510037	1/2" Þvottavél	Stál	16
3	8518432	1/2" x 1" Bolti	Stál	16
4	8550177	Hjól Suðusamstæða	Stál	4





Íhlutalisti				
	Hluta númer	Lýsing	Efni	Magn
1	9512574	Lyftihringur	Stál	4

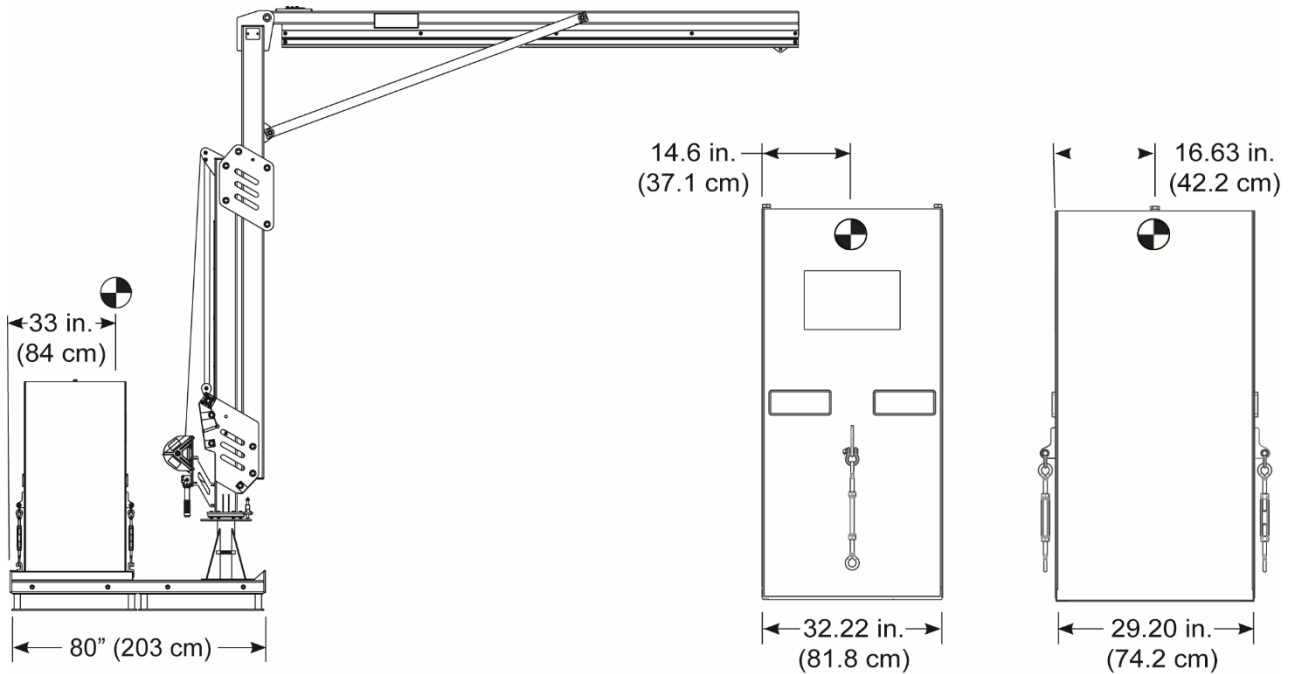



Miðja þyngdarafli M200 Mótvægisgrunns
TÆKNILEG GÖGNABLAÐ: 8530886, 8530887




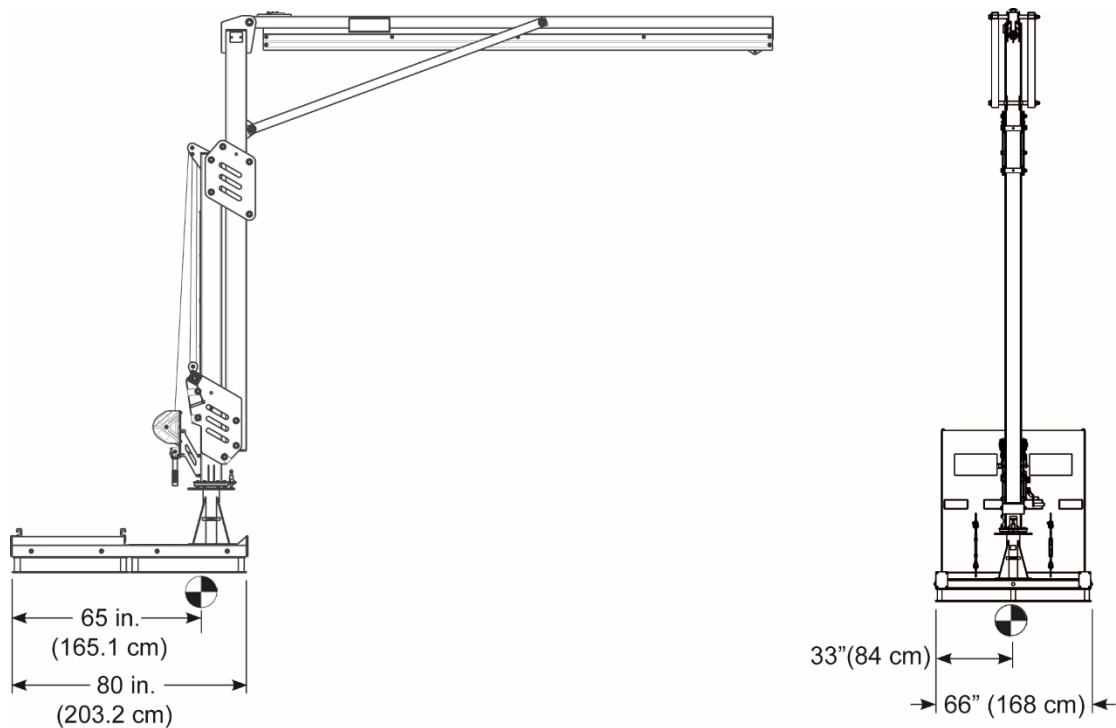
8530887	8530898
 .lb (kg)	12,668 lbs. (5,746 kg)

 .lb (kg)	5,000 lbs. (2,268 kg)
--	--------------------------



8530887	8530898
 .lb (kg)	2,668 lbs. (1,210 kg)

8530887	8530898
 .lb (kg)	12,668 lbs. (5,746 kg)



M200 Gólfgrunnur

TÆKNILEG GÖGNABLAÐ: 8530888

3M

DBI SALA®
Fall Protection

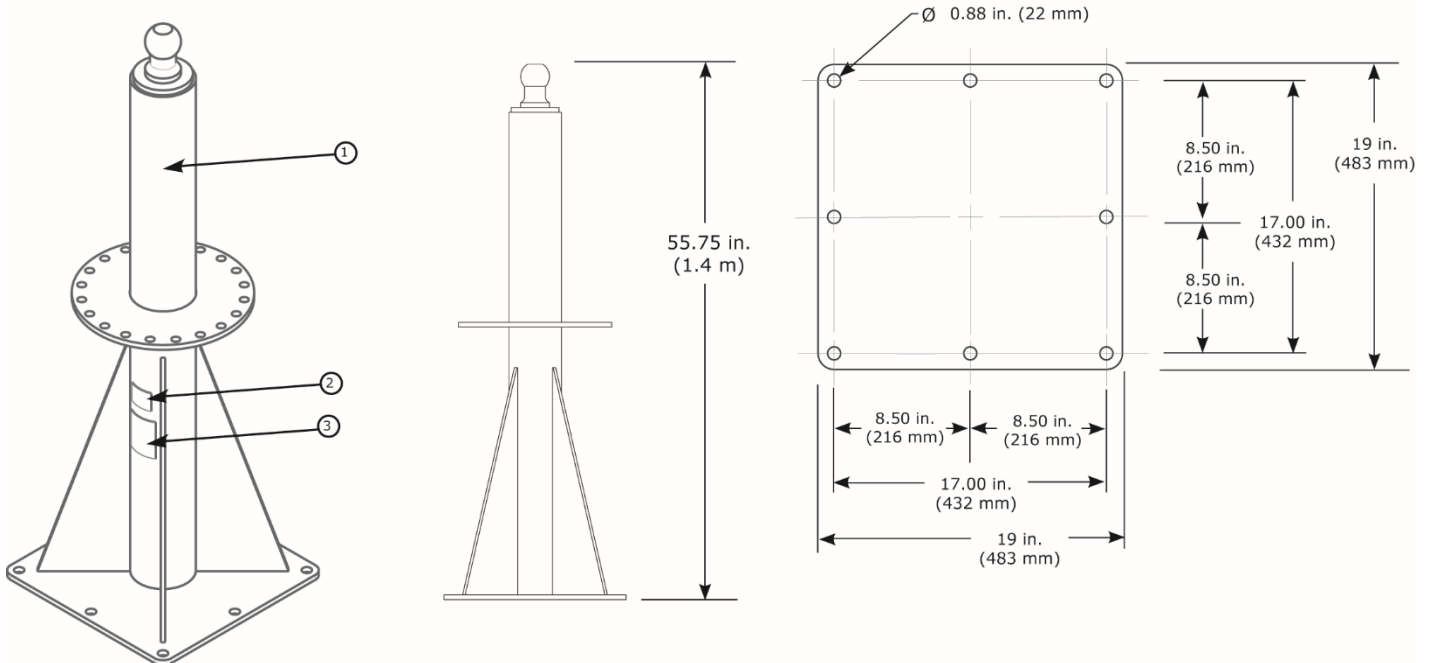
NOTKUN:

Davit grunnurinn er hannaður til að vera notaður sem festipunktur fyrir davit kerfið.

Fyrir frekari upplýsingar um uppsetningu vörunnar, vinsamlegast skoðaðu notendaleiðbeiningarnar.

Staðlar: CEN/TS 16415:2013 Tegund A, EN795:2012 Tegund A, OSHA 1910.140, OSHA 1926.502

	Þyngd
8530888	265 lb. (120 kg)



Íhlutalisti				
	Hlutanúmer	Lýsing	Efni	Magn
1	8549921	Grunnsuðusamstæða	Stál	1
2	9514429	Auðkennismerki	Pólýester	1
3	9515114	Notendamerki	Pólýester	1

Festingarkröfur		
Lágmarks togkraftur festingar	Lágmarks snúningsálag festingarbyggingar	Lágmarks lóðrétt álag festingarbyggingar
9,386 lb. (4,257 kg)	501,633 in.-lb. (56,677 N-m)	3,320 lb. (1,506 kg) + Grunnþyngd + Þyngd M200 Sveifarms

M200 Innfelldur Grunnur

TÆKNILEG GÖGNABLAÐ: 8530889, 8530920, 8530921



Fall Protection

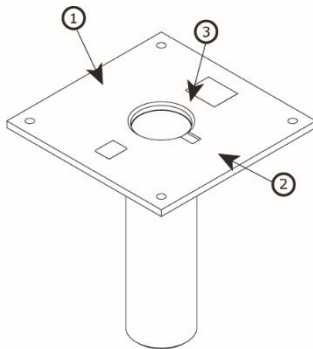
NOTKUN:

Davit grunnurinn er hannaður til að vera notaður sem festipunktur fyrir davit kerfið.

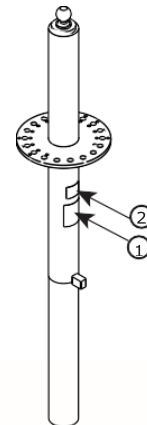
Fyrir frekari upplýsingar um uppsetningu vörunnar, vinsamlegast skoðaðu notendaleiðbeiningarnar.

Staðlar: CEN/TS 16415:2013, EN795:2012 Tegund A, OSHA 1910.140, OSHA 1926.502

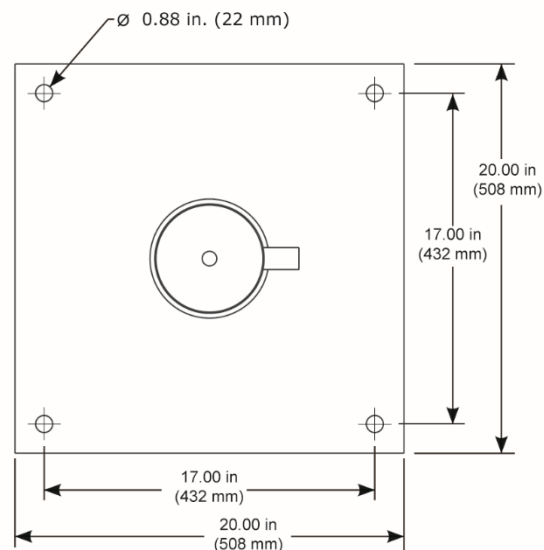
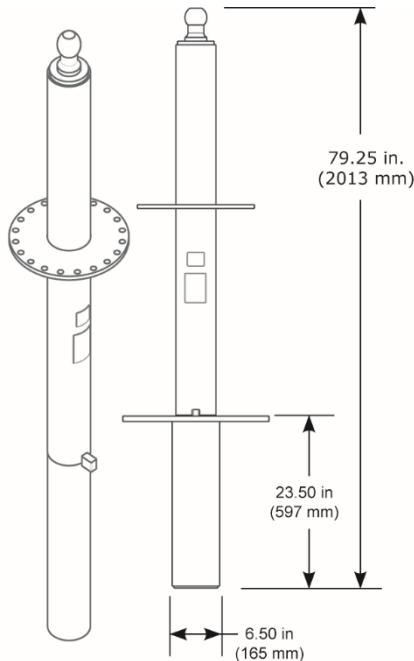
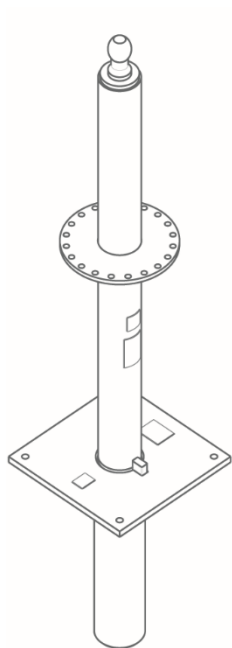
	Þyngd
8530920	140 lb. (64 kg)



	Þyngd
8530921	237 lb. (107 kg)



	Þyngd
8530889	377 lb. (171 kg)

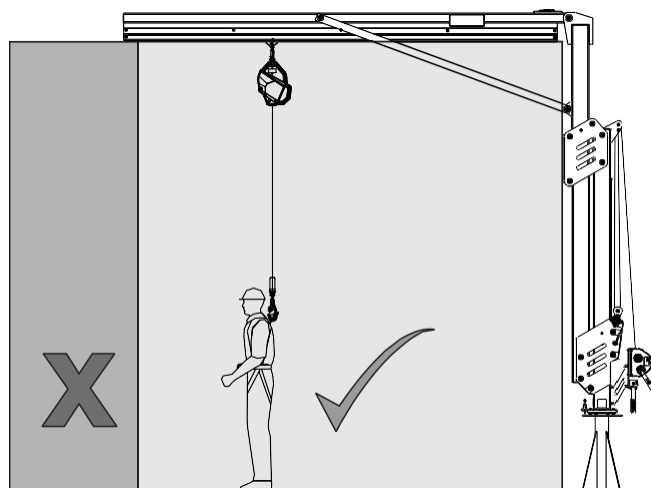
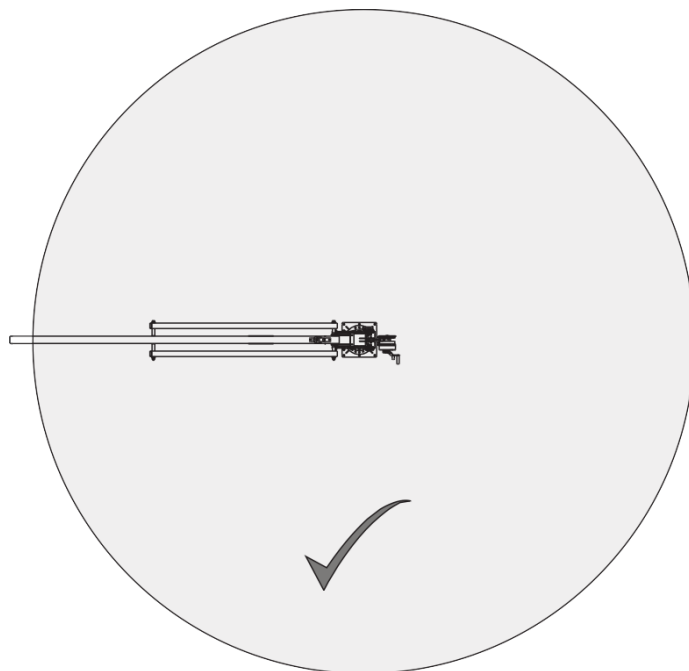


Íhlutalisti				
	Hlutanúmer	Lýsing	Efni	Magn
1	9515114	Notendamerki	Pólýester	1
2	9514429	Auðkennismerki	Pólýester	1
3	8550165	Grunnhetta	Ál, Gúmmí	1

Festingarkröfur	
Lágmarks snúningsálag festingarbyggingar	Lágmarks lóðrétt álag festingarbyggingar
501,633 in-lb. (56,677 N-m)	3,320 lb. (1,506 kg) + Grunnþyngd + Þyngd M200 Sveifarms

NOTKUN:

Sjáðu skýringarmyndina hér að neðan fyrir vinnusvæði vörunnar.



Gaffalvasasett

TÆKNILEG GÖGNABLAÐ: 8530912

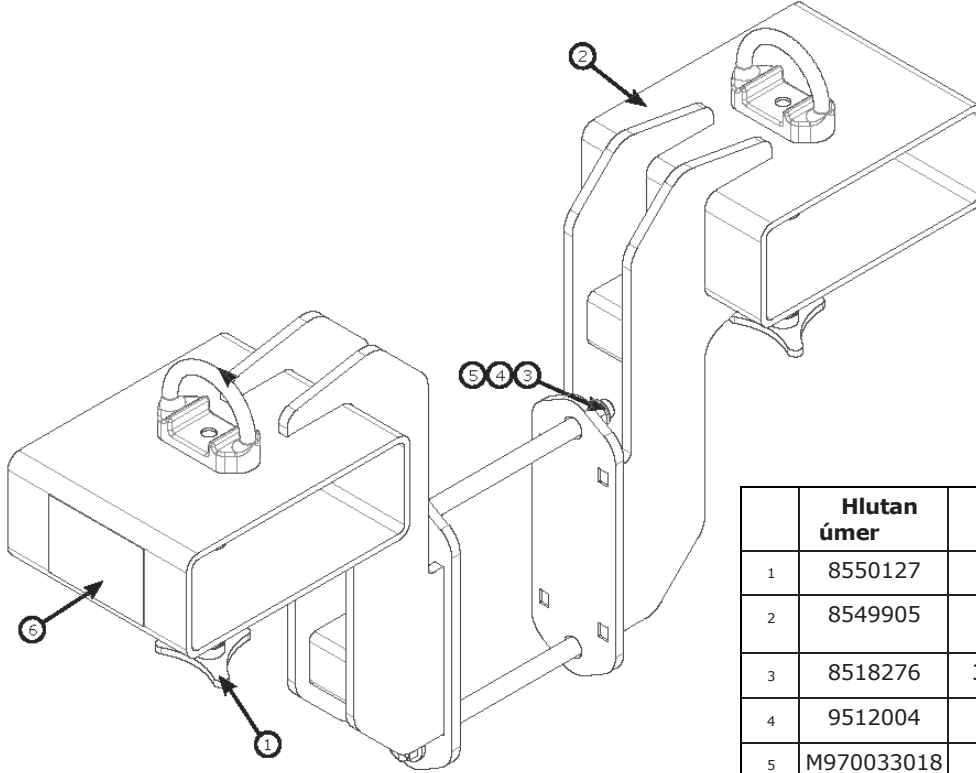
3M

DBI
SALA
Fall Protection

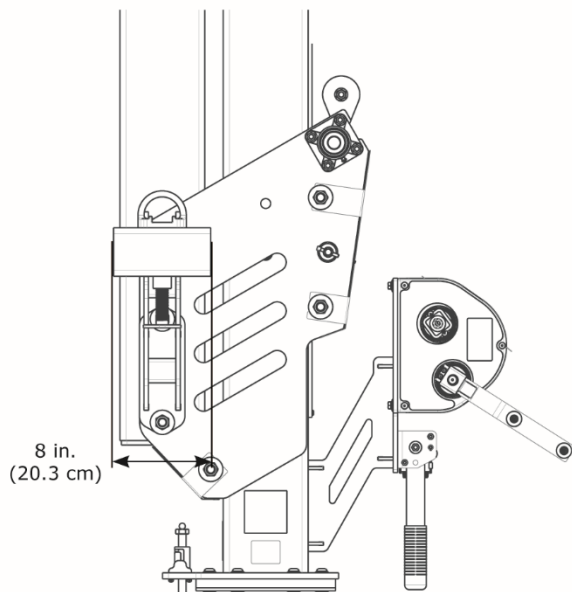
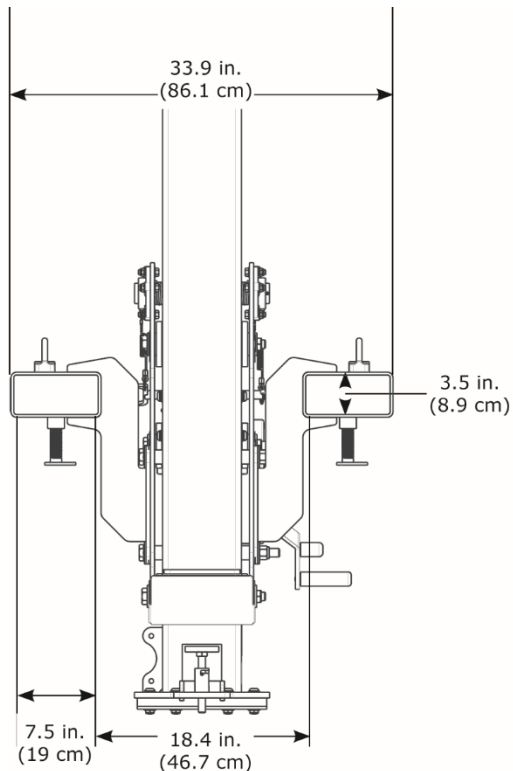
NOTKUN:

Þessi Gaffalvasasett líkan er hannað til að flytja davit módelin sem eru rekin með vindi, **8530891–8530898**.

Fyrir frekari upplýsingar um uppsetningu íhluta, vinsamlegast skoðaðu notendaleiðbeiningarnar.



	Hlutan úmer	Íhlutur	Magn
1	8550127	Þrískrúfa	2
2	8549905	Gaffalvasa Suðusamstæða	2
3	8518276	3/4" Sexkantamótor	2
4	9512004	3/4" x 12" Bolti	2
5	M970033018	3/4" Þvottavél	4
6	9515122	Notendamerki	1
	9500146	Keðjutengi	2
	8517096	Keðja	10 ft.



Gaffalvasasett

TÆKNILEG GÖGNABLAÐ: 8530925

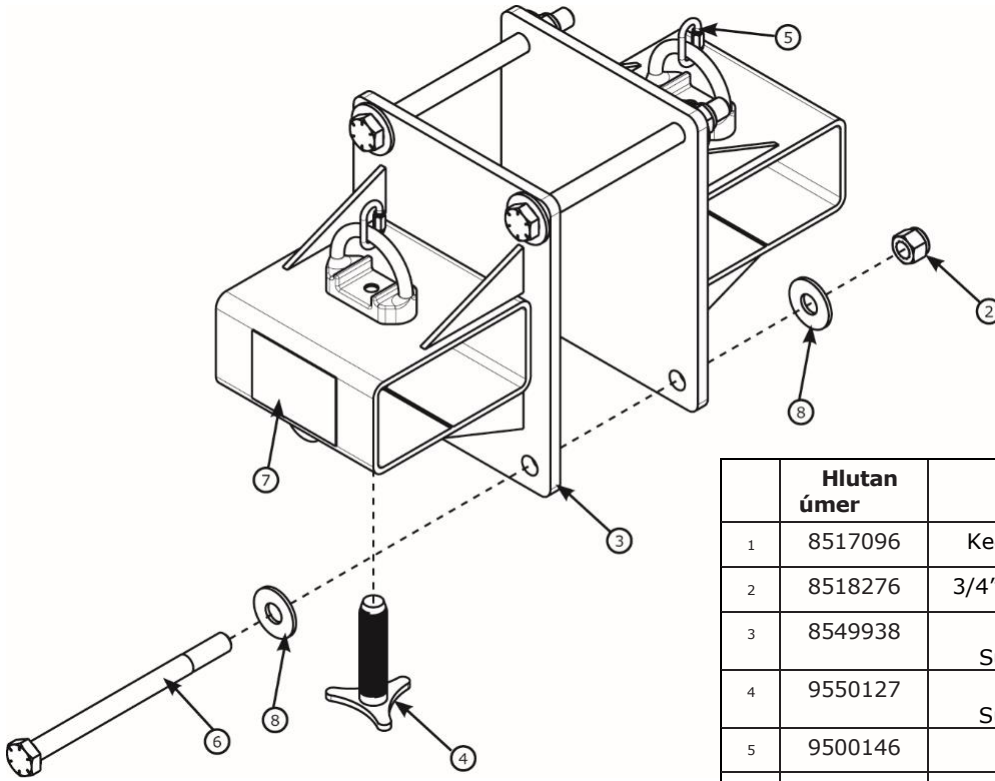
3M

DBI
SALA
Fall Protection

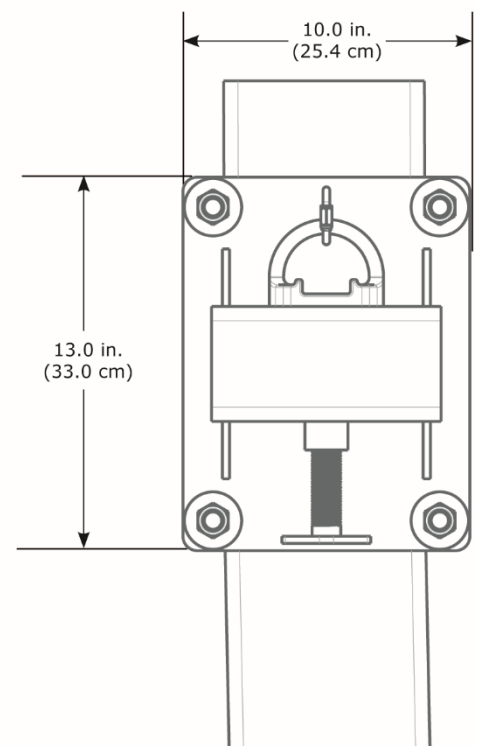
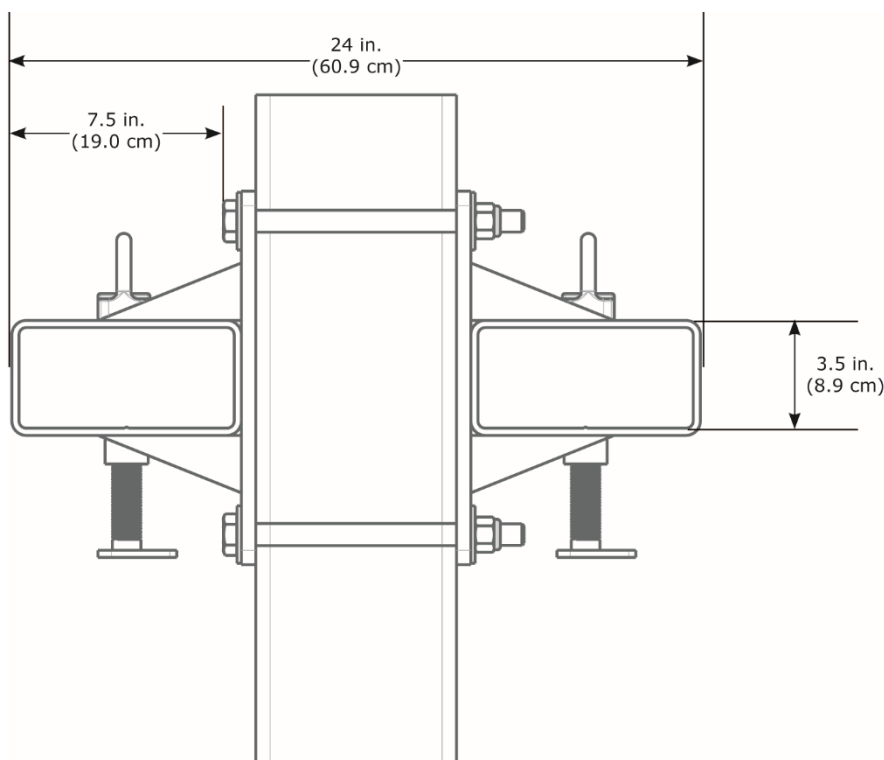
NOTKUN:

Þessi Gaffalvasasett líkan er hannað til að flytja davit með stillirás módelum **8530899–8530904**.

Fyrir frekari upplýsingar um uppsetningu íhluta, vinsamlegast skoðaðu notendaleiðbeiningarnar.



	Hlutan úmer	Íhlutur	Magn
1	8517096	Keðja (ekki sýnd)	10 ft.
2	8518276	3/4" Sexkantamótor	4
3	8549938	Gaffalvasa Suðusamstæða	2
4	9550127	Þrískrúfa Suðusamstæða	2
5	9500146	Hraðtengi	2
6	9514294	3/4" Sexkanta Bolti	4
7	9515573	Viðvörðunarkerki	1
8	M970033018	3/4" Þvottavél	8



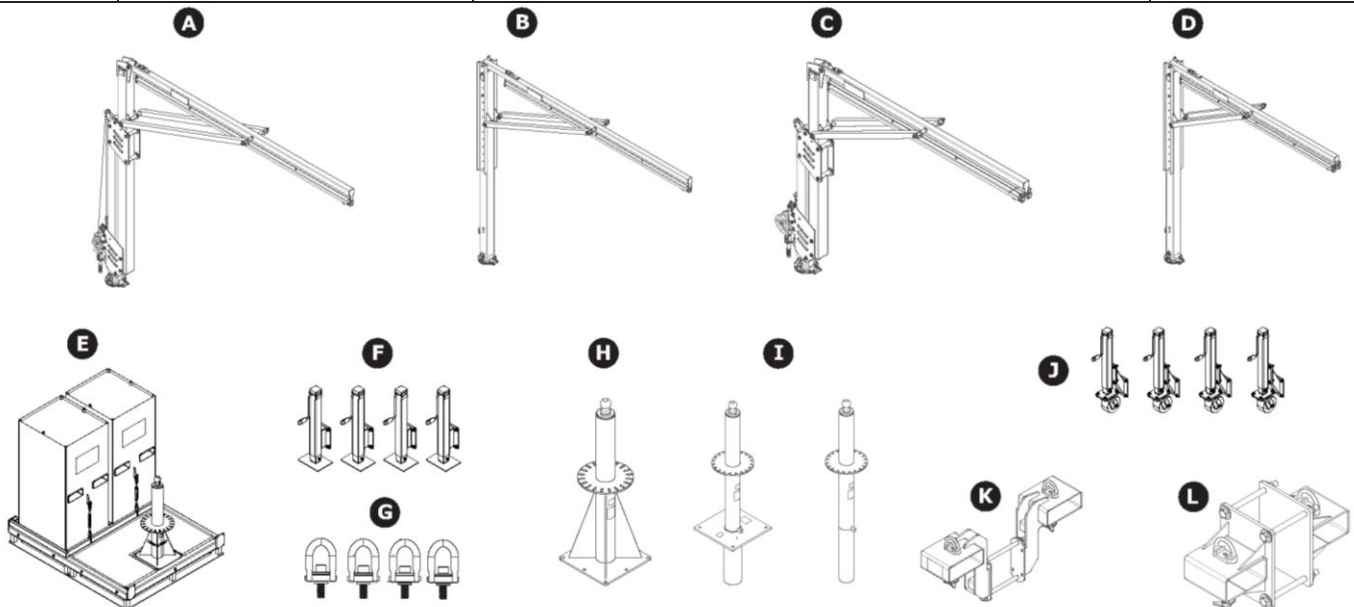


Fall Protection

**3M™ DBI-SALA®
Sistemi Davit M200**

**Scheda tecnica confezione
5908526 Rev. D**

Richiamo	Scheda tecnica	Descrizione	Pagina
A	8530891	12,3 ft.–15 ft. (3,8 m–4,6 m) Braccio a Bandiera Regolabile	272
	8530892	14,8 ft.–20 ft. (4,5 m–6,1 m) Braccio a Bandiera Regolabile	272
	8530893	17,3 ft.–25 ft. (5,3 m–7,6 m) Braccio a Bandiera Regolabile	272
	8530894	19,8 ft.–30 ft. (6,1 m–9,1 m) Braccio a Bandiera Regolabile	272
B	8530899	15 ft.–20 ft. (4,6 m–6,1 m) Braccio a Bandiera Semi-Fisso	274
	8530900	20 ft.–25 ft. (6,1 m–7,6 m) Braccio a Bandiera Semi-Fisso	274
	8530901	25 ft.–30 ft. (7,6 m–9,1 m) Braccio a Bandiera Semi-Fisso	274
C	8530895	12,3 ft.–15 ft. (3,8 m–4,6 m) Braccio a Bandiera Regolabile	276
	8530896	14,8 ft.–20 ft. (4,5 m–6,1 m) Braccio a Bandiera Regolabile	276
	8530897	17,3 ft.–25 ft. (5,3 m–7,6 m) Braccio a Bandiera Regolabile	276
	8530898	19,8 ft.–30 ft. (6,1 m–9,1 m) Braccio a Bandiera Regolabile	276
D	8530902	15 ft.–20 ft. (4,6 m–6,1 m) Braccio a Bandiera Semi-Fisso	278
	8530903	20 ft.–25 ft. (6,1 m–7,6 m) Braccio a Bandiera Semi-Fisso	278
	8530904	25 ft.–30 ft. (7,6 m–9,1 m) Braccio a Bandiera Semi-Fisso	278
E	8530886	Base Contrappeso Non Riempita	280
	8530887	Base Contrappeso Riempita	280
F	8530907	Martinetti Base Contrappeso	282
G	8530777	Anelli di Sollevamento Base Contrappeso	282
H	8530888	Base di Montaggio a Pavimento	284
I	8530889, 8530920, 8530921	Base di Montaggio a Filo	285
J	8530908	Ruote Base Contrappeso	282
K	8530912	Kit Tasca per Forche	287
L	8530925	Kit Tasca per Forche	288



Braccio a Bandiera Modulare Regolabile

SCHEMA TECNICA: 8530891-8530894

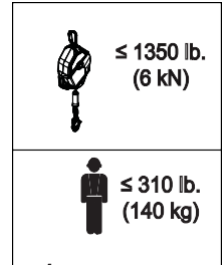


APPLICAZIONE:

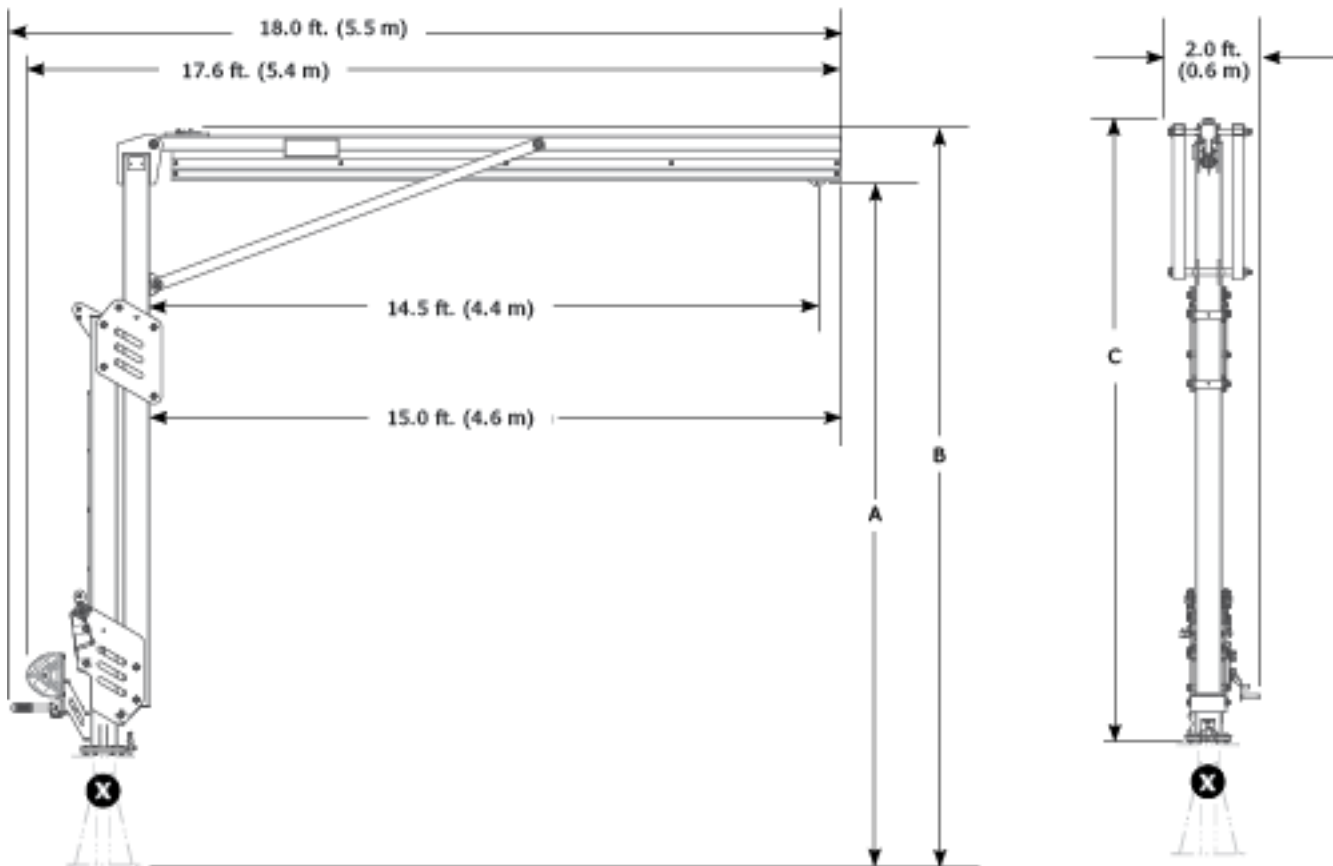
Il braccio a bandiera è progettato per fornire punti di connessione di ancoraggio per un sistema di protezione anticaduta.

Per ulteriori informazioni sull'installazione del prodotto, fare riferimento alle istruzioni per l'uso.

Normative: EN795:2012 Tipo E, OSHA 1910.140, OSHA 1926.502

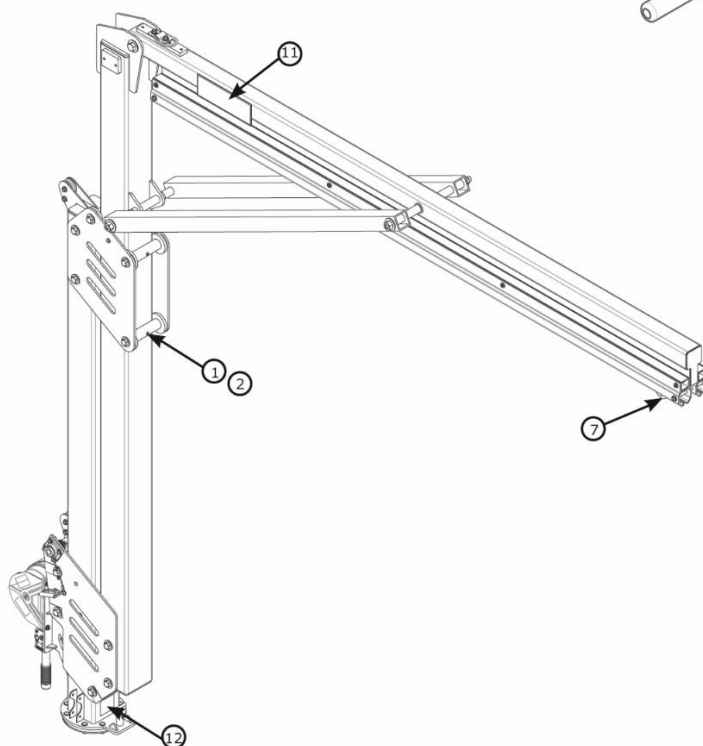
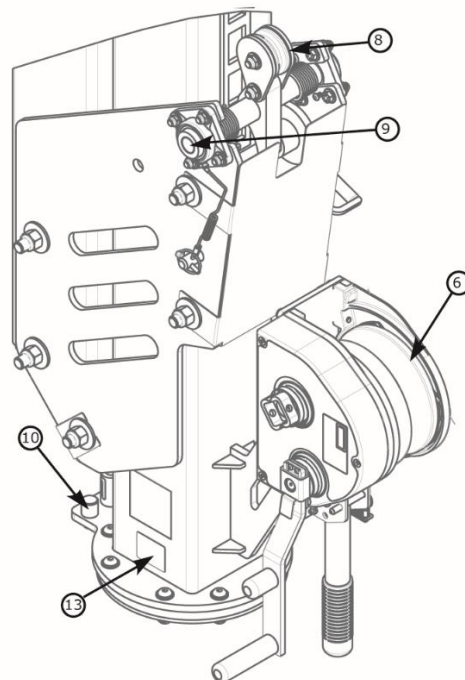
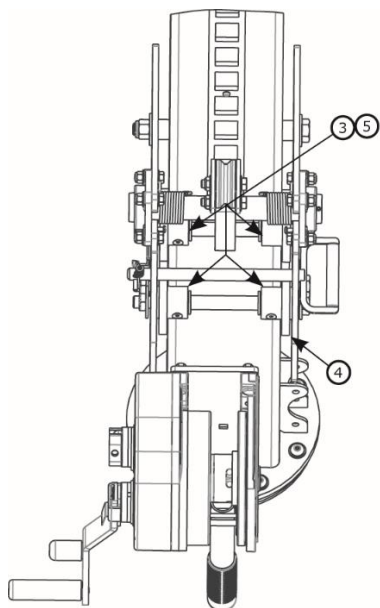


1X



	A	B	C	lb. (kg)
8530891	12.3 ft. - 15.0 ft. (3.8 m - 4.6 m)	13.4 ft. - 16.1 ft. (4.1 m - 4.9 m)	9.8 ft. - 14.8 ft. (3.0 m - 4.5 ft.)	945 lb. (429 kg)
8530892	14.8 ft. - 20.0 ft. (4.5 m - 6.1 m)	15.9 ft. - 21.1 ft. (4.8 m - 6.4 m)	13.5 ft. - 18.7 ft. (4.1 m - 5.7 m)	1,057 lb. (479 kg)
8530893	17.3 ft. - 25.0 ft. (5.3 m - 7.6 m)	18.4 ft. - 26.1 ft. (5.6 m - 8.0 m)	16.0 - 23.7 ft. (4.9 m - 7.2 m)	1,169 lb. (530 kg)
8530894	19.8 ft. - 30.0 ft. (6.0 m - 9.1 m)	20.9 ft. - 31.1 ft. (6.4 m - 9.5 m)	18.5 ft. - 28.7 ft. (5.6 m - 8.7 m)	1,281 lb. (581 kg)

Componenti del Braccio a Bandiera Modulare Regolabile
SCHEDA TECNICA: 8530891-8530894



Elenco componenti				
	Numero di parte	Descrizione	Materiale	Quantità
1	8550046	Rullo Largo	Nylon	3
2	8550047	Distanziale Rullo Largo	Acciaio Inox 304	3
3	8550327	Rullo Stretto	Nylon	2
4	9514703	Rullo Laterale	Nylon	8
5	8550213	Distanziale Rullo Stretto	Acciaio Inox 304	2
6	8549930	Argano	Acciaio	1
7	8521711	Carrello	Acciaio, Nylon	1

Elenco componenti				
	Numero di parte	Descrizione	Materiale	Quantità
8	8550223	Meccanismo di Bloccaggio (solo riparazione autorizzata)	Acciaio, Nylon	1
9	9515138	Cuscinetti	Acciaio	2
10	8550398	Fermagiuro	Alluminio	2
11	9515111	Etichetta 3M	Poliestere	2
12	9515101	Etichetta di Rotazione	Poliestere	1
13	9514429	Etichetta ID	Poliestere	1
14	9515112	Etichetta Utente	Poliestere	1

Braccio a Bandiera Modulare Semi-Fisso

SCHEMA TECNICA: 8530899-8530901




APPLICAZIONE:


Il braccio a bandiera è progettato per fornire punti di connessione di ancoraggio per un sistema di protezione anticaduta.

Per ulteriori informazioni sull'installazione del prodotto, fare riferimento alle istruzioni per l'uso.

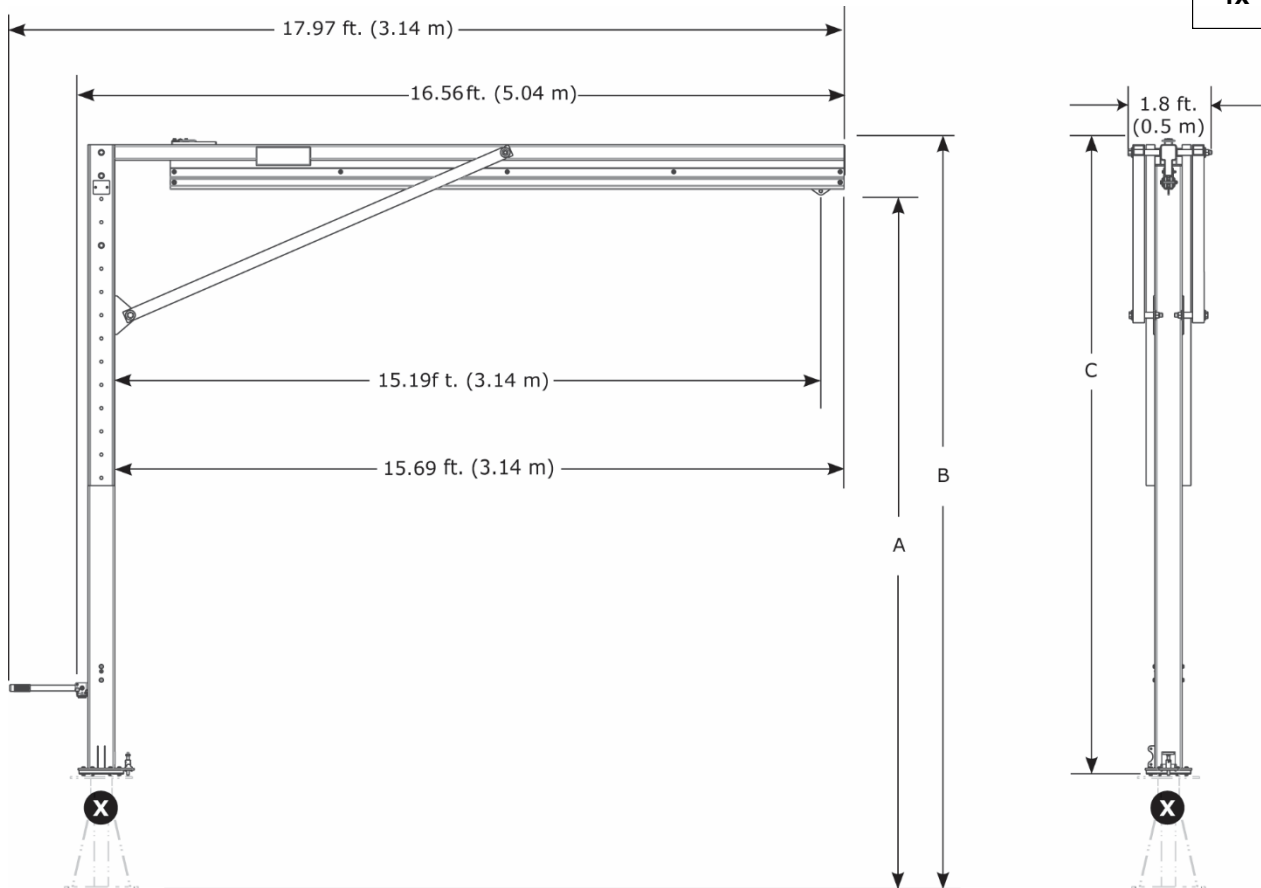
Normative: EN795:2012 Tipo E, OSHA 1910.140, OSHA 1926.502



≤ 1350 lb.
(6 kN)



1x ≤ 310 lb.
(140 kg)

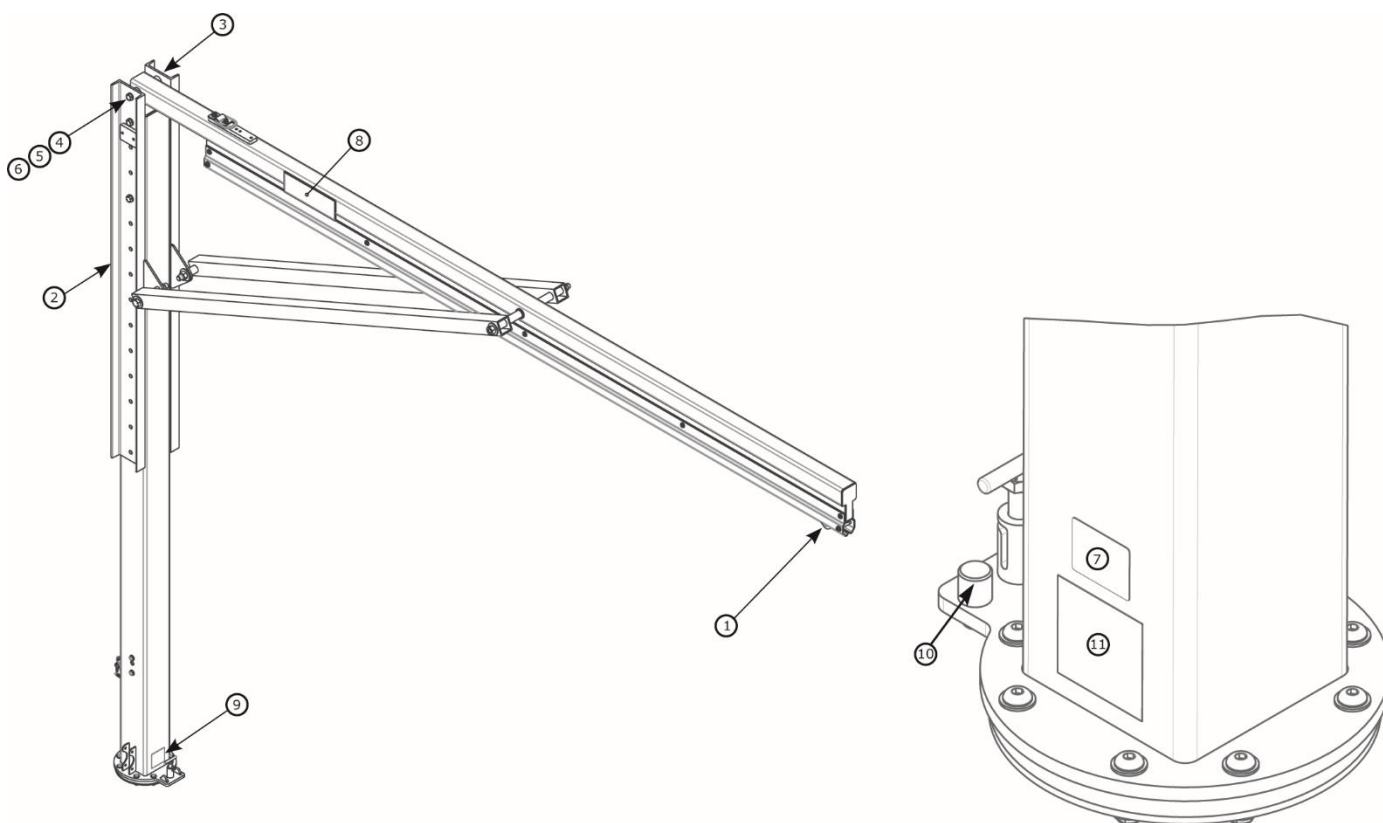


	A	B	C	lb. (kg)
8530899	15.0 ft. - 20.0 ft. (4.6 m - 6.1 m)	16.1 ft. - 21.1 ft. (4.9 m - 6.4 m)	13.7 ft. - 18.7 ft. (4.2 m - 5.7 m)	818 lb. (371 kg)
8530900	20.0 ft. - 25.0 ft. (6.1 m - 7.6 m)	21.1 ft. - 26.1 ft. (6.4 m - 7.9 m)	18.7 ft. - 23.7 ft. (5.7 m - 7.2 m)	930 lb. (422 kg)
8530901	25.0 ft. - 30.0 ft. (7.6 m - 9.1 m)	26.1 ft. - 31.1 ft. (7.9 m - 9.6 m)	23.7 ft. - 28.7 ft. (7.2 m - 8.7 m)	1,041 lb. (472 kg)
+6" (152 mm) incrementi di regolazione				

Componenti del Braccio a Bandiera Modulare Semi-Fisso
SCHEDA TECNICA: 8530899-8530901



Fall Protection



	Numero di parte	Descrizione	Materiale	Quantità
1	8521711	Carrello	Acciaio Inox, Acciaio, Nylon	1
2	8549933	Canale di Montaggio per Soccorso	Acciaio	1
3	8550248	Canale	Acciaio	1
4	8526654	Bullone 3/4" x 9"	Acciaio	2
5	8522275	Rondella 3/4"	Acciaio	4
6	8518276	Dado 3/4"	Acciaio	2
7	9514429	Etichetta ID	Poliestere	1

	Numero di parte	Descrizione	Materiale	Quantità
8	9515111	Etichetta 3M	Poliestere	2
9	9515101	Etichetta di Rotazione	Poliestere	1
10	8550398	Fermagiuro	Alluminio	2
11	9515112	Etichetta Utente	Poliestere	1

Braccio a Bandiera Modulare Regolabile

SCHEMA TECNICA: 8530895-8530898



APPLICAZIONE:

Il braccio a bandiera è progettato per fornire punti di connessione di ancoraggio per un sistema di protezione anticaduta.

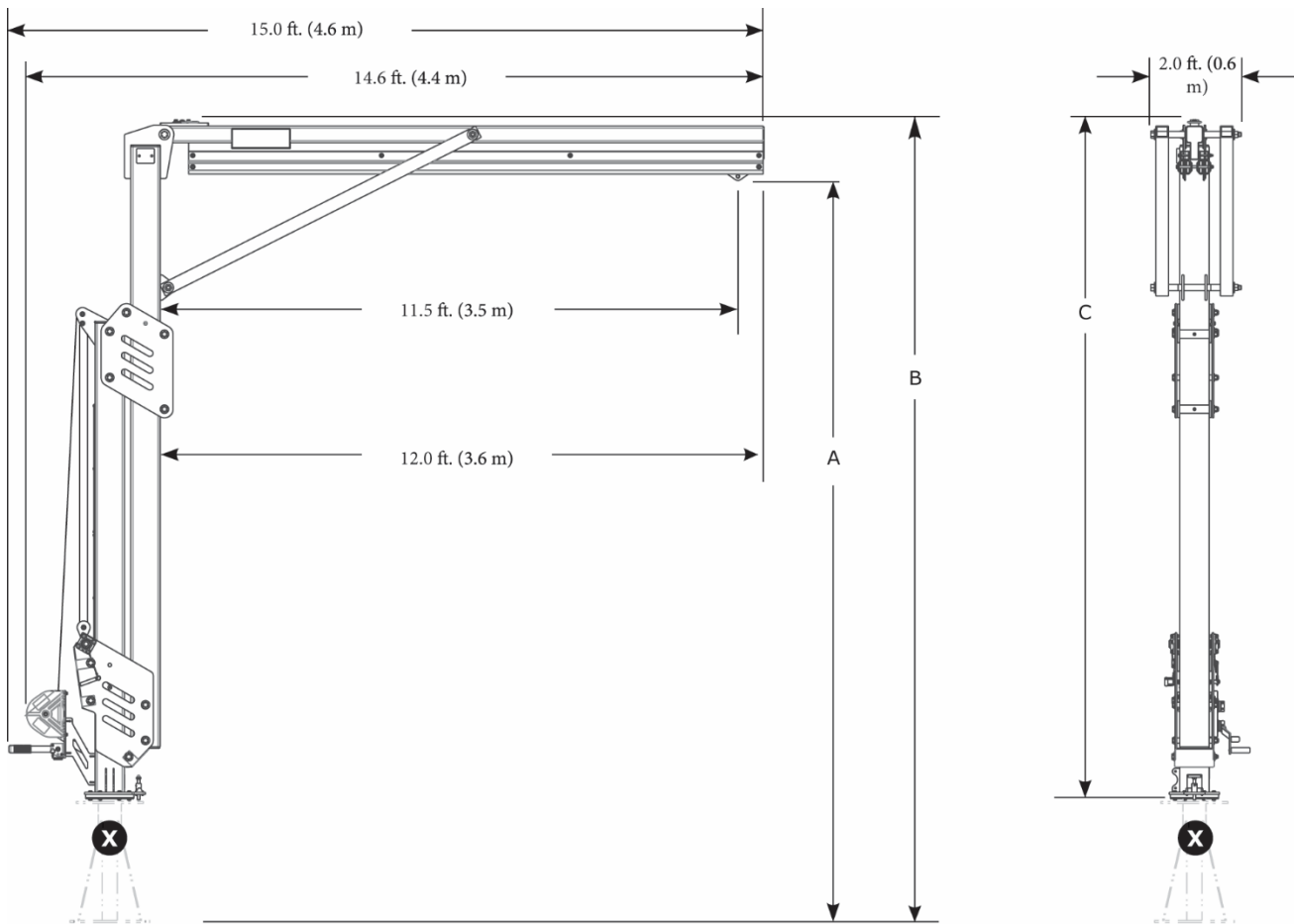
Per ulteriori informazioni sull'installazione del prodotto, fare riferimento alle istruzioni per l'uso.

Normative: CEN/TS 16415:2013 Tipo E, EN795:2012 Tipo E, OSHA 1910.140, OSHA 1926.502

≤ 1350 lb.
(6 kN)

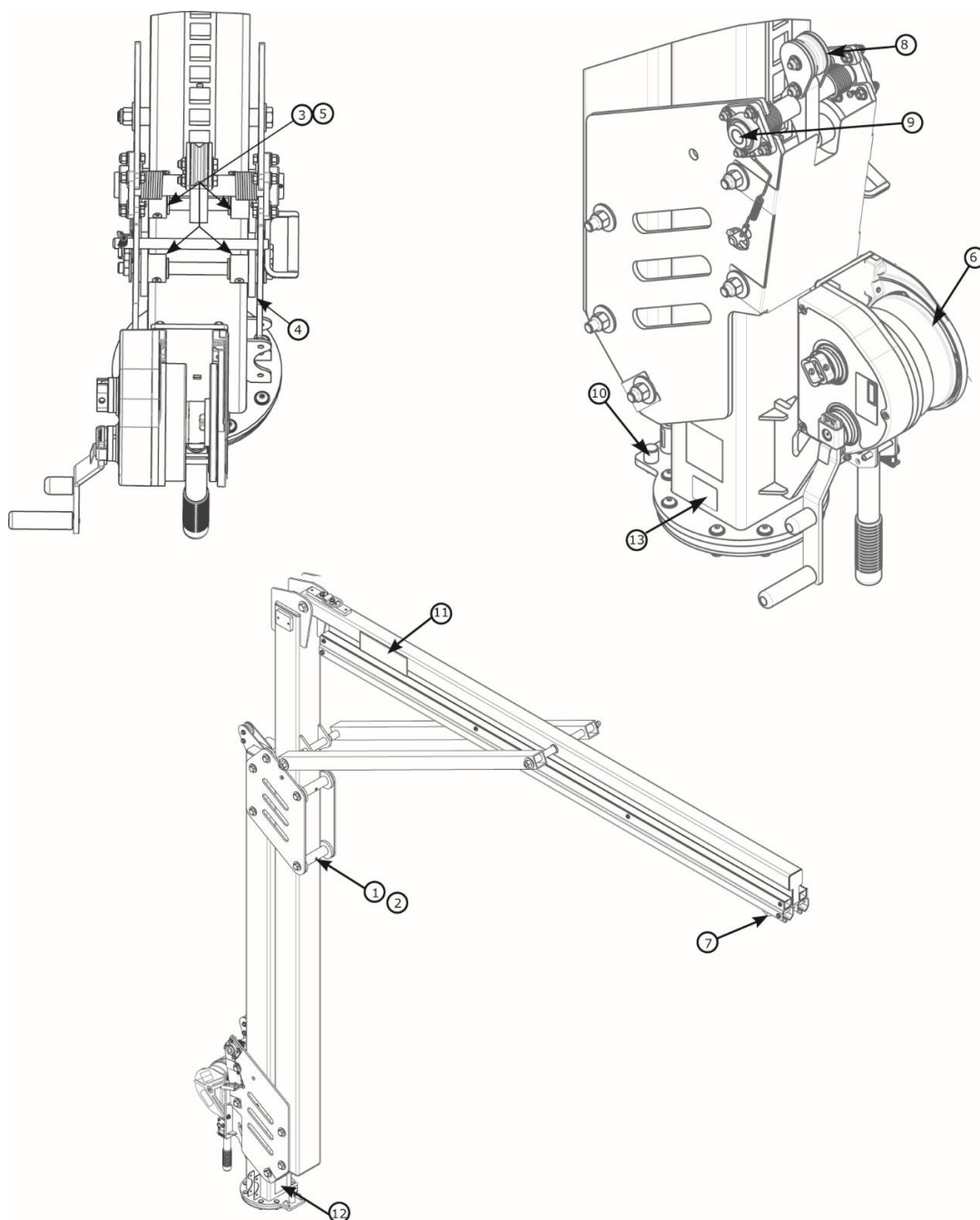
≤ 310 lb.
(140 kg)

2x



	A	B	C	lb. (kg)
8530895	12.3 ft. - 15.0 ft. (3.8 m - 4.6 m)	13.4 ft. - 16.1 ft. (4.1 m - 4.9 m)	11.0 ft. - 13.7 ft. (3.4 m - 4.2 ft.)	1,011 lb. (459 kg)
8530896	14.8 ft. - 20.0 ft. (4.5 m - 6.1 m)	15.9 ft. - 21.1 ft. (4.8 m - 6.4 m)	13.5 ft. - 18.7 ft. (4.1 m - 5.7 m)	1,123 lb. (509 kg)
8530897	17.3 ft. - 25.0 ft. (5.3 m - 7.6 m)	18.4 ft. - 26.1 ft. (5.6 m - 8.0 m)	16.0 - 23.7 ft. (4.9 m - 7.2 m)	1,235 lb. (560 kg)
8530898	19.8 ft. - 30.0 ft. (6.0 m - 9.1 m)	20.9 ft. - 31.1 ft. (6.4 m - 9.5 m)	18.5 ft. - 28.7 ft. (5.6 m - 8.7 m)	1,343 lb. (609 kg)

Componenti del Braccio a Bandiera Modulare Regolabile
SCHEDA TECNICA: 8530895-8530898



Elenco componenti				
	Numero di parte	Descrizione	Materiale	Quantità
1	8550046	Rullo Largo	Nylon	3
2	8550047	Distanziale Rullo Largo	Acciaio Inox 304	3
3	8550327	Rullo Stretto	Nylon	2
4	9514703	Rullo Laterale	Nylon	8
5	8550213	Distanziale Rullo Stretto	Acciaio Inox 304	2
6	8549930	Argano	Acciaio	1
7	8521711	Carrello	Acciaio, Nylon	1

Elenco componenti				
	Numero di parte	Descrizione	Materiale	Quantità
8	8550223	Meccanismo di Bloccaggio (solo riparazione autorizzata)	Acciaio, Nylon	1
9	9515138	Cuscinetti	Acciaio	2
10	8550398	Fermagiro	Alluminio	2
11	9515111	Etichetta 3M	Poliestere	2
12	9515101	Etichetta di Rotazione	Poliestere	1
13	9514429	Etichetta ID	Poliestere	1
14	9515112	Etichetta Utente	Poliestere	1

Braccio a Bandiera Modulare Semi-Fisso

SCHEMA TECNICO: 8530902-8530904

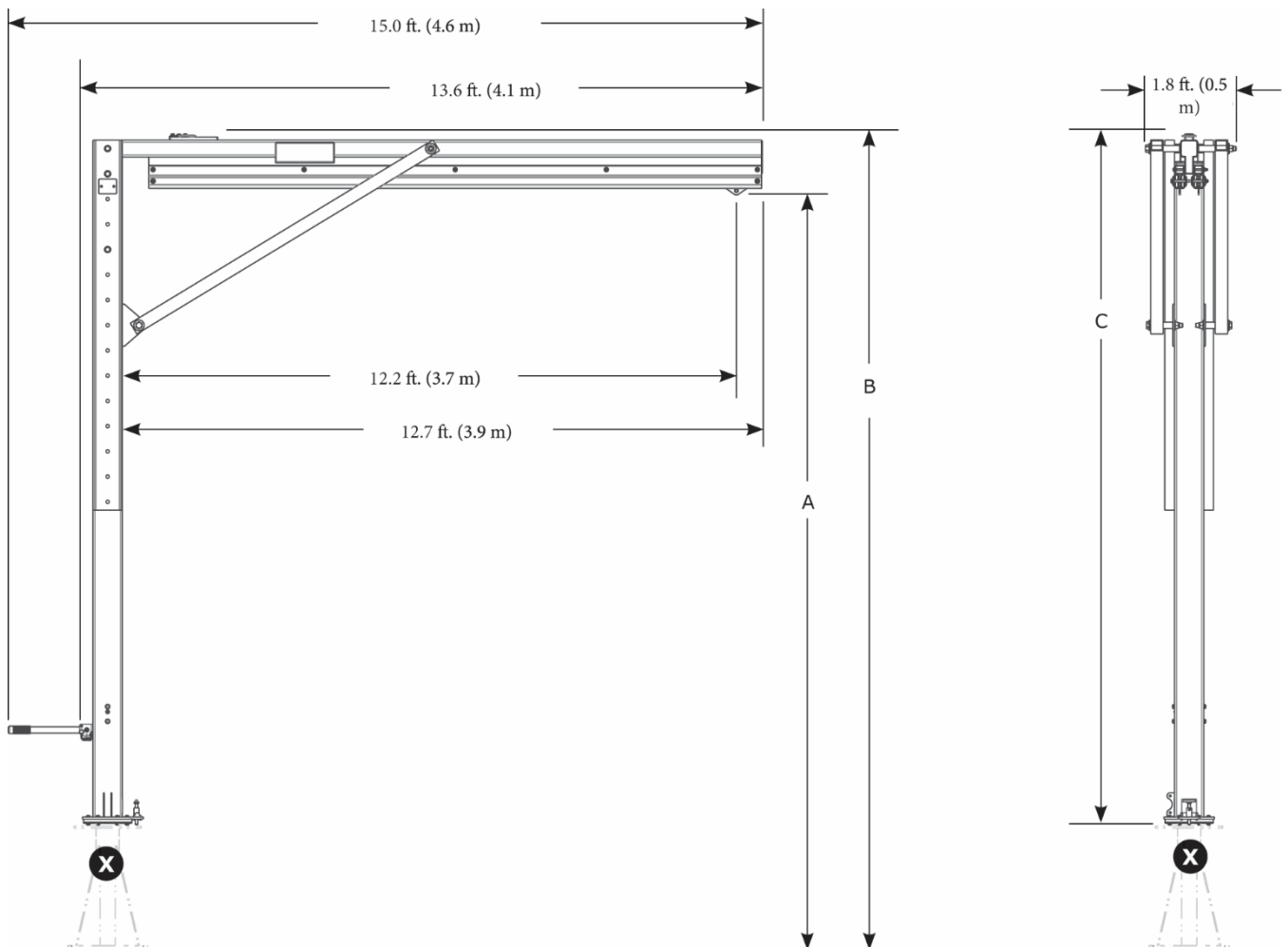
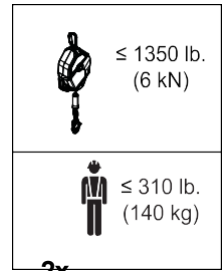


APPLICAZIONE:

Il braccio a bandiera è progettato per fornire punti di connessione di ancoraggio per un sistema di protezione anticaduta.

Per ulteriori informazioni sull'installazione del prodotto, fare riferimento alle istruzioni per l'uso.

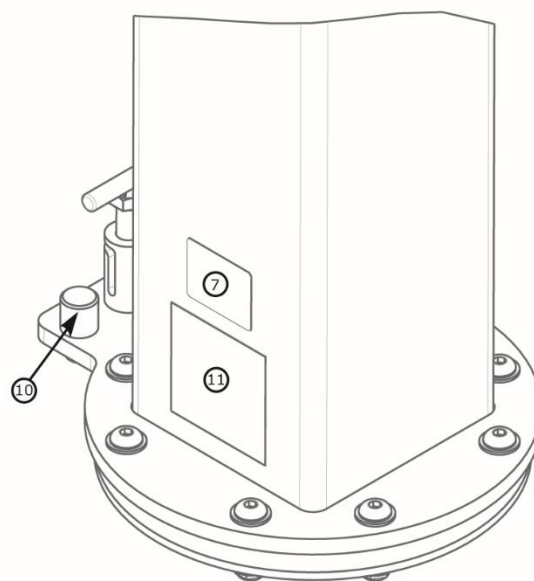
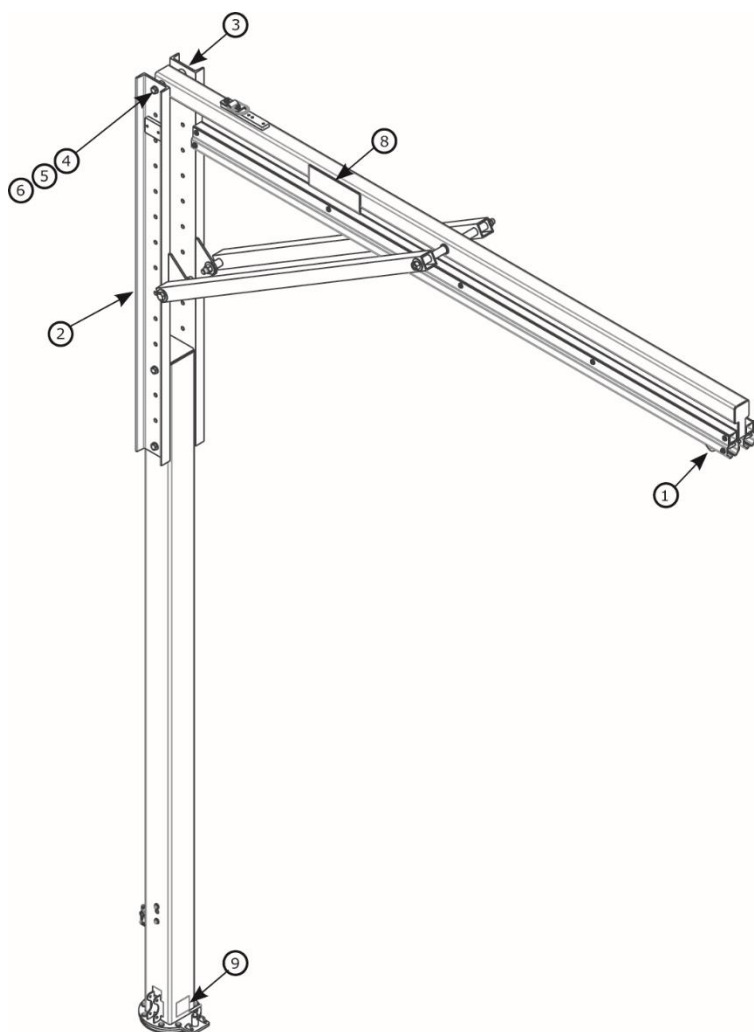
Normative: CEN/TS 16415:2013 Tipo E, EN795:2012 Tipo E, OSHA 1910.140, OSHA 1926.502



	A	B	C	lb. (kg)
8530902	15.0 ft. - 20.0 ft. (4.6 m - 6.1 m)	16.1 ft. - 21.1 ft. (4.9 m - 6.4 m)	13.7 ft. - 18.7 ft. (4.2 m - 5.7 m)	850 lb. (386 kg)
8530903	20.0 ft. - 25.0 ft. (6.1 m - 7.6 m)	21.1 ft. - 26.1 ft. (6.4 m - 7.9 m)	18.7 ft. - 23.7 ft. (5.7 m - 7.2 m)	961 lb. (436 kg)
8530904	25.0 ft. - 30.0 ft. (7.6 m - 9.1 m)	26.1 ft. - 31.1 ft. (7.9 m - 9.6 m)	23.7 ft. - 28.7 ft. (7.2 m - 8.7 m)	1,073 lb. (487 kg)

Componenti del Braccio a Bandiera Modulare Semi-Fisso

SCHEDA TECNICA: 8530902-8530904



	Numero di parte	Descrizione	Materiale	Quantità
1	8521711	Carrello	Acciaio Inox, Acciaio, Nylon	1
2	8549933	Canale di Montaggio per Soccorso	Acciaio	1
3	8550248	Canale	Acciaio	1
4	8526654	Bullone 3/4" x 9"	Acciaio	2
5	8522275	Rondella 3/4"	Acciaio	4
6	8518276	Dado 3/4"	Acciaio	2
7	9514429	Etichetta ID	Poliestere	1

	Numero di parte	Descrizione	Materiale	Quantità
8	9515111	Etichetta 3M	Poliestere	2
9	9515101	Etichetta di Rotazione	Poliestere	1
10	8550398	Fermagiuro	Alluminio	2
11	9515112	Etichetta Utente	Poliestere	1

Base Contrappeso M200

SCHEMA TECNICA: 8530886, 8530887



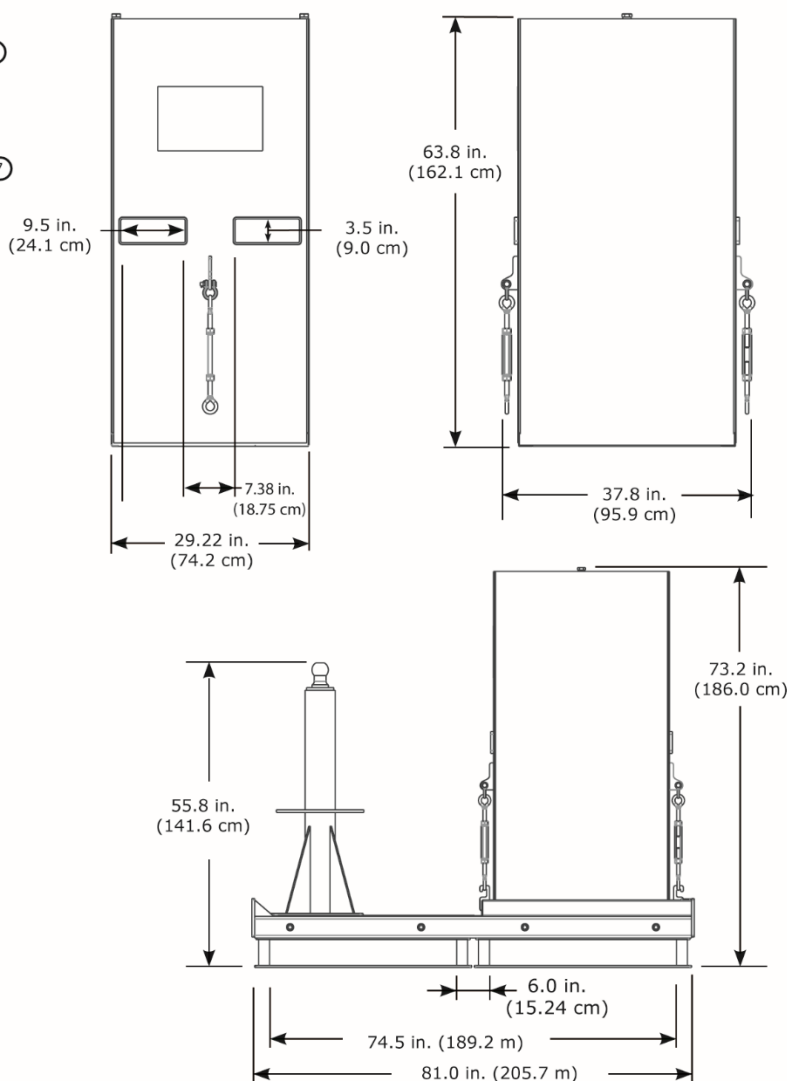
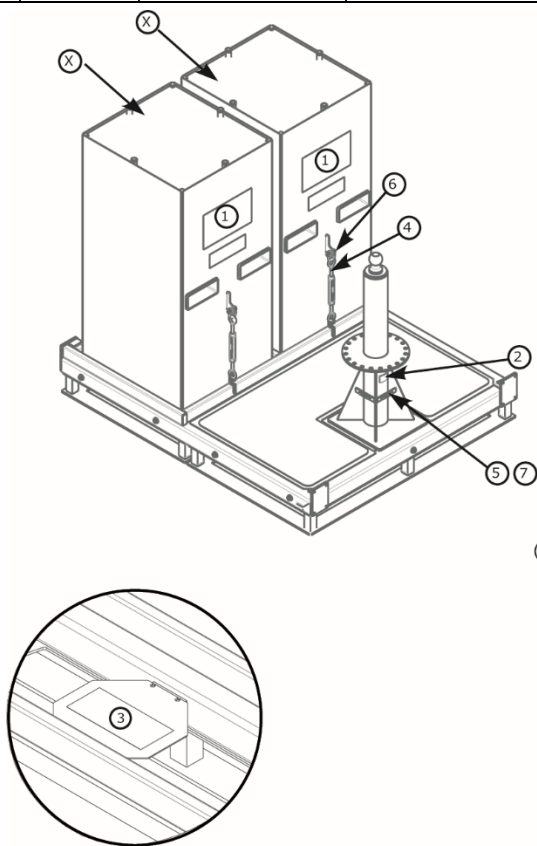
APPLICAZIONE:

La base del braccio a bandiera è progettata per essere utilizzata come punto di montaggio per il sistema del braccio a bandiera. Per ulteriori informazioni sull'installazione del prodotto, fare riferimento alle istruzioni per l'uso.

Normative: CEN/TS 16415:2013 Tipo E, EN795:2012 Tipo E, OSHA 1910.140, OSHA 1926.502

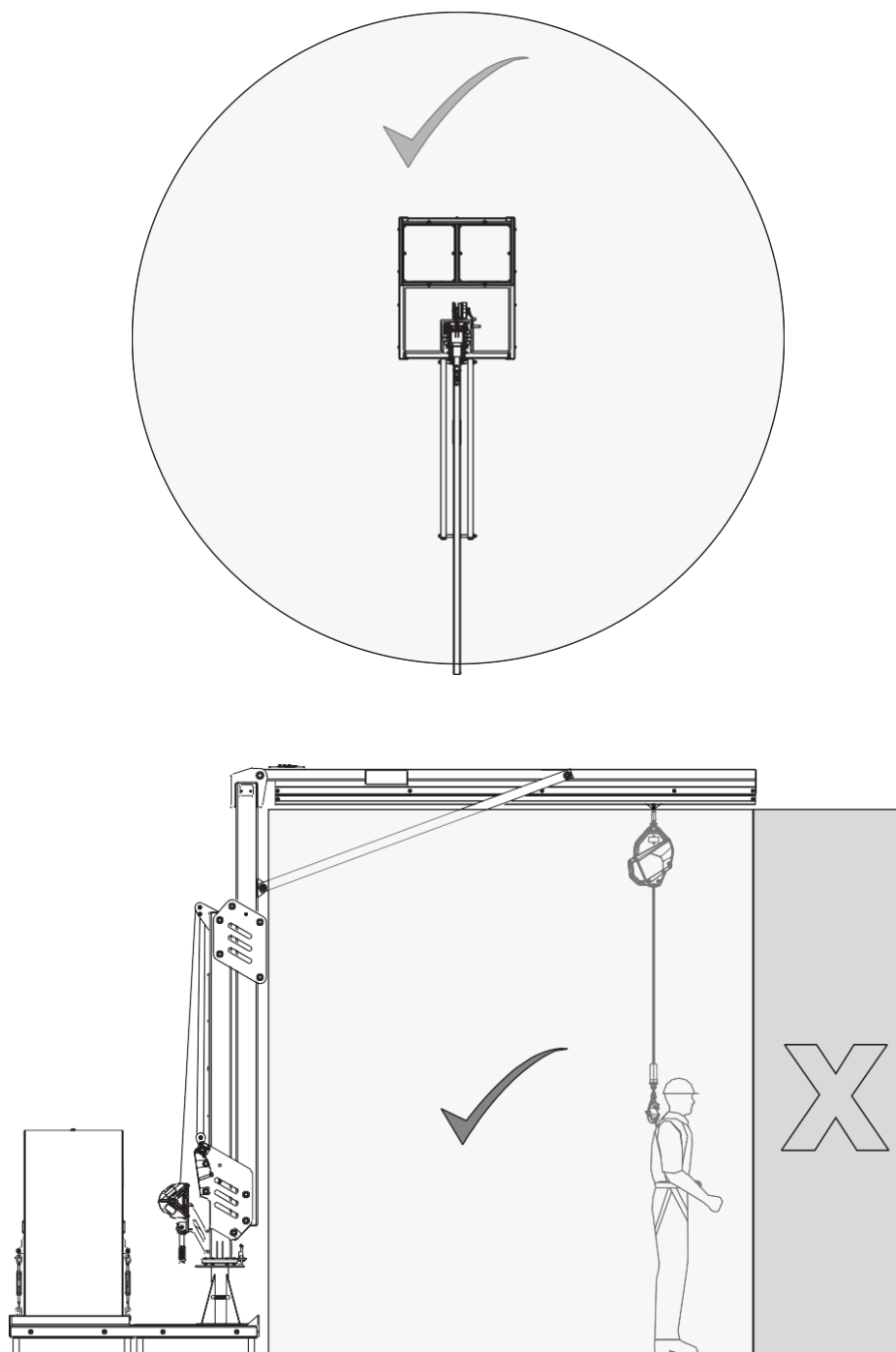
	X 4,000 psi (30 MPa)	Requisiti della Struttura di Appoggio	Peso
8530886		14,645 lb. (6,643 kg)	2,407 lb. (1,092 kg)
8530887	✓	+ Peso del Braccio a Bandiera M200	11,325 lb. (5,137 kg)

Elenco componenti				
	Numero di parte	Descrizione	Materiale	Quantità
1	9515107	Etichetta Utente	Poliestere	1
2	9514429	Etichetta ID	Poliestere	1
3	9515106	Etichetta di Avvertimento	Poliestere	1
4	8520575	Tenditore	Acciaio	2
5	9513627	Vite #4	Acciaio	4
6	9501794	Grillo	Acciaio	2
7	9515058	Livella a Bolla	Plastica	2
8	9515566	Etichetta di Avvertimento	Poliestere	4



APPLICAZIONE:

Fare riferimento al diagramma sottostante per l'area di lavoro del prodotto.



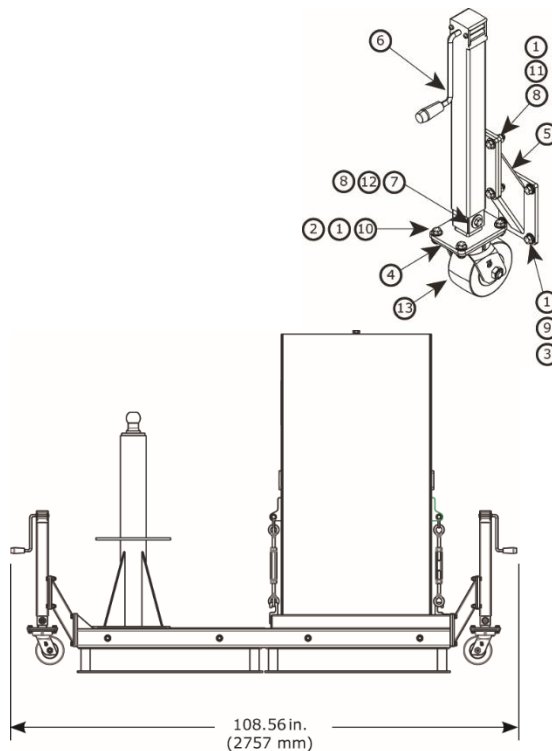
Accessori della Base Contrappeso M200

SCHEDA TECNICA: 8530907, 8530908, 8530777

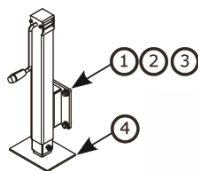


Fall Protection

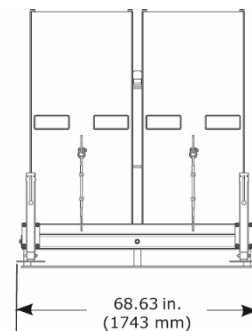
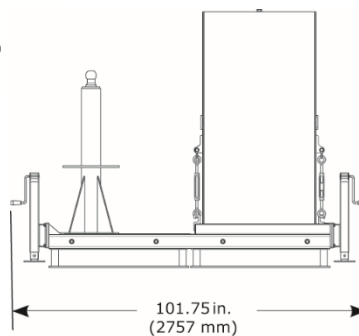
Elenco componenti				
	Numero di parte	Descrizione	Materiale	Quantità
1	8510037	Rondella 1/2"	Acciaio	80
2	8512460	Bullone 1/2" x 1 1/4"	Acciaio	16
3	8518432	Bullone 1/2" x 1"	Acciaio	16
4	8550153	Struttura Saldato Ruota	Acciaio	4
5	8550155	Struttura Saldato Angolato	Acciaio	4
6	8550156	Struttura Saldato Montato	Acciaio	4
7	9501243	Rondella 1/2"	Acciaio	8
8	9501831	Dado Esagonale 1/2"	Acciaio	20
9	9504221	Rondella 1/2"	Acciaio	16
10	9504813	Dado Esagonale 1/2"	Acciaio	16
11	9509276	Bullone 1/2" x 1 3/4"	Acciaio	16
12	9510153	Bullone 1/2" x 3 1/4"	Acciaio	4
13	9515081	Ruota Girevole	Acciaio, Uretano	4



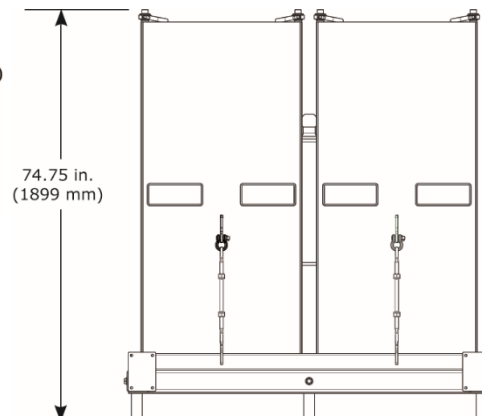
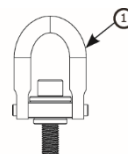
	8530907	8530908	8530777
Peso	108 lb. (49 kg)	152 lb. (69 kg)	12 lb. (5.4 kg)



	Numero di parte	Descrizione	Materiale	Quantità
1	9504221	Rondella di Bloccaggio 1/2"	Acciaio	16
2	8510037	Rondella 1/2"	Acciaio	16
3	8518432	Bullone 1/2" x 1"	Acciaio	16
4	8550177	Struttura Saldato Ruota	Acciaio	4



Elenco componenti				
	Numero di parte	Descrizione	Materiale	Quantità
1	9512574	Anello di Sollevamento	Acciaio	4





Centro di Gravità della Base Contrappeso M200

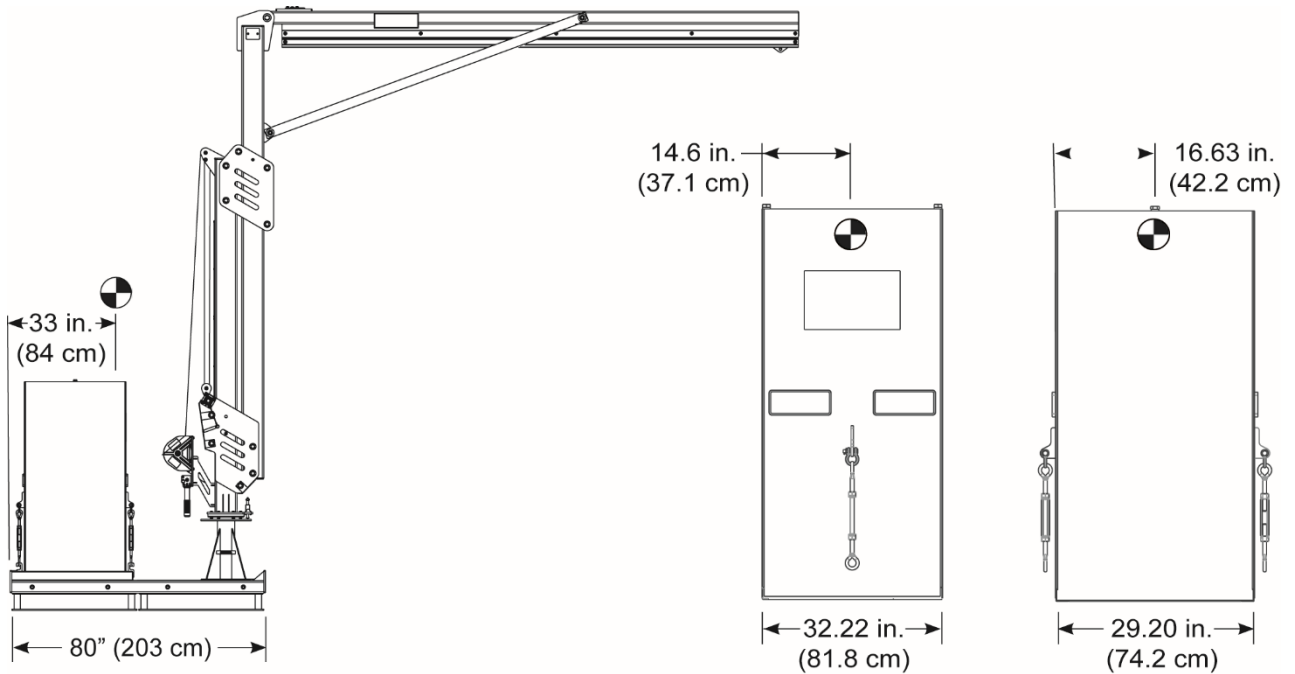
SCHEDA TECNICA: 8530886, 8530887

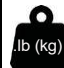



Fall Protection

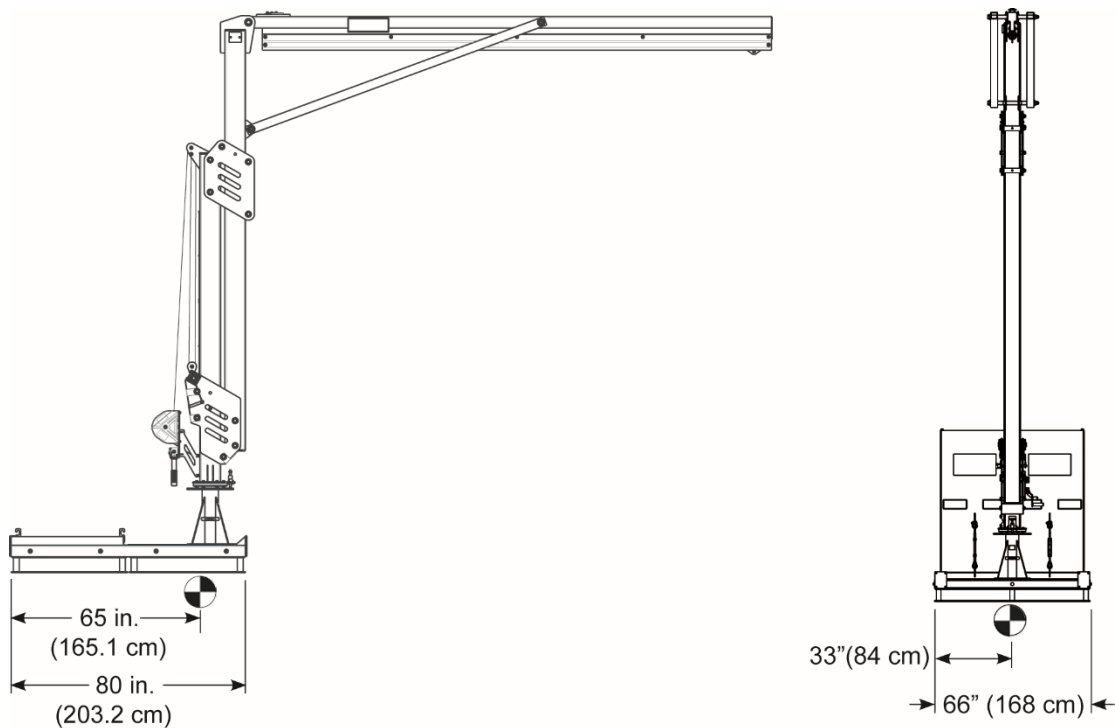
8530887	8530898
 .lb (kg)	12,668 lbs. (5,746 kg)

 .lb (kg)	5,000 lbs. (2,268 kg)
--	--------------------------



8530887	8530898
 .lb (kg)	2,668 lbs. (1,210 kg)

8530887	8530898
 .lb (kg)	12,668 lbs. (5,746 kg)



Base di Montaggio a Pavimento M200

SCHEMA TECNICA: 8530888



Fall Protection

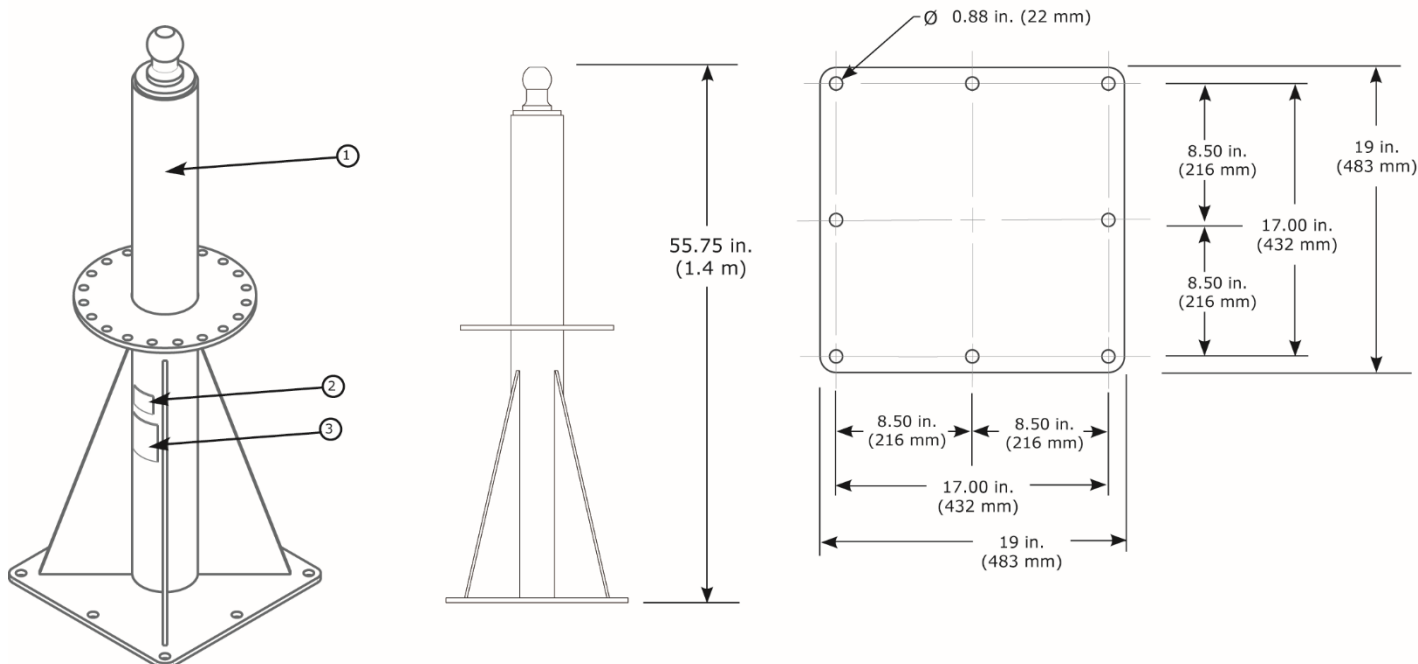
APPLICAZIONE:

La base del braccio a bandiera è progettata per essere utilizzata come punto di montaggio per il sistema del braccio a bandiera.

Per ulteriori informazioni sull'installazione del prodotto, fare riferimento alle istruzioni per l'uso.

Normative: CEN/TS 16415:2013 Tipo A, EN795:2012 Tipo A, OSHA 1910.140, OSHA 1926.502

	Peso
8530888	265 lb. (120 kg)



Elenco componenti				
	Numero di parte	Descrizione	Materiale	Quantità
1	8549921	Struttura Saldato Base	Acciaio	1
2	9514429	Etichetta ID	Poliestere	1
3	9515114	Etichetta Utente	Poliestere	1

Requisiti di montaggio		
Forza minima di estrazione del fissaggio	Carico minimo di momento della struttura di montaggio	Carico minimo verticale della struttura di montaggio
9,386 lb. (4,257 kg)	501,633 in-lb. (56,677 N-m)	3,320 lb. (1,506 kg) + Peso della Base + Peso del Braccio a Bandiera M200

Base di Montaggio a Filo M200

SCHEDA TECNICA: 8530889, 8530920, 8530921

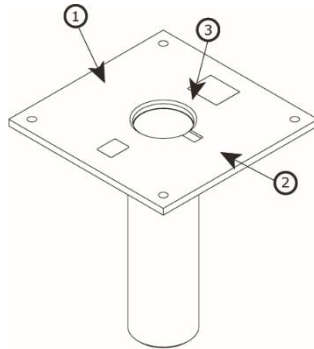


APPLICAZIONE:

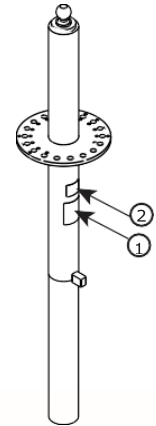
La base del braccio a bandiera è progettata per essere utilizzata come punto di montaggio per il sistema del braccio a bandiera. Per ulteriori informazioni sull'installazione del prodotto, fare riferimento alle istruzioni per l'uso.

Normative: CEN/TS 16415:2013, EN795:2012 Tipo A, OSHA 1910.140, OSHA 1926.502

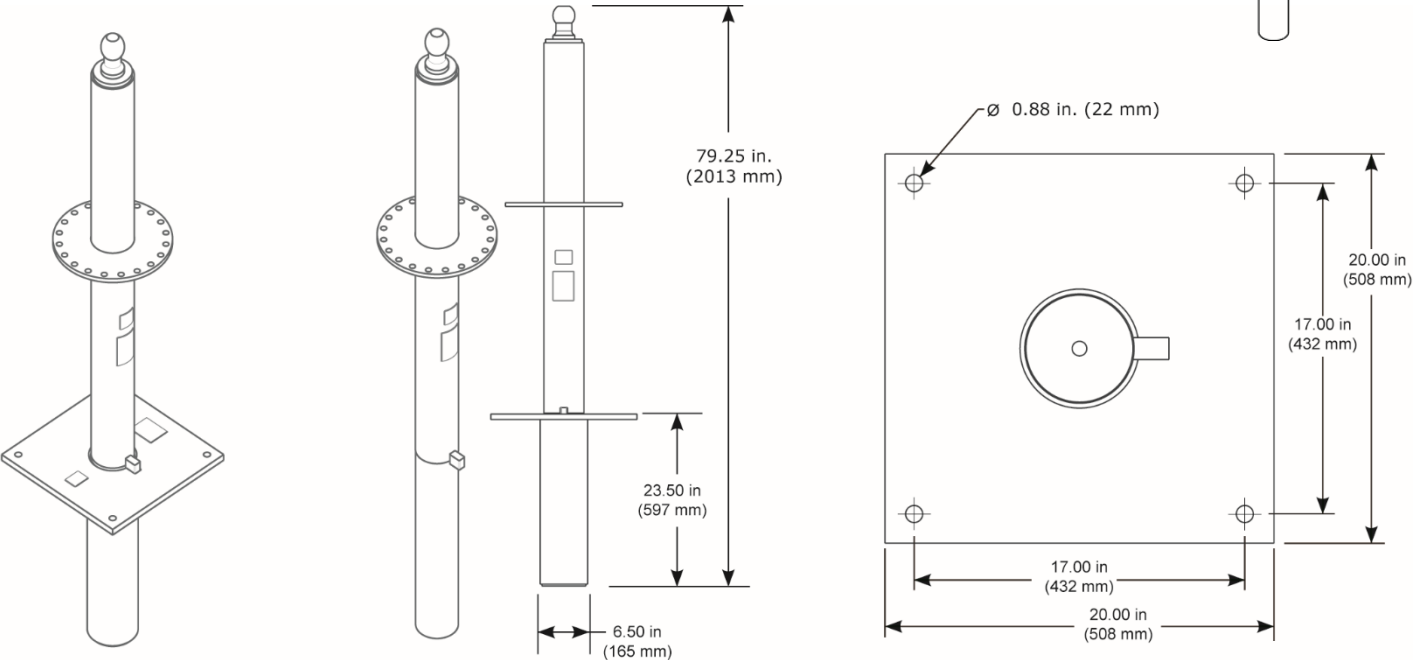
	Peso
8530920	140 lb. (64 kg)



	Peso
8530921	237 lb. (107 kg)



	Peso
8530889	377 lb. (171 kg)

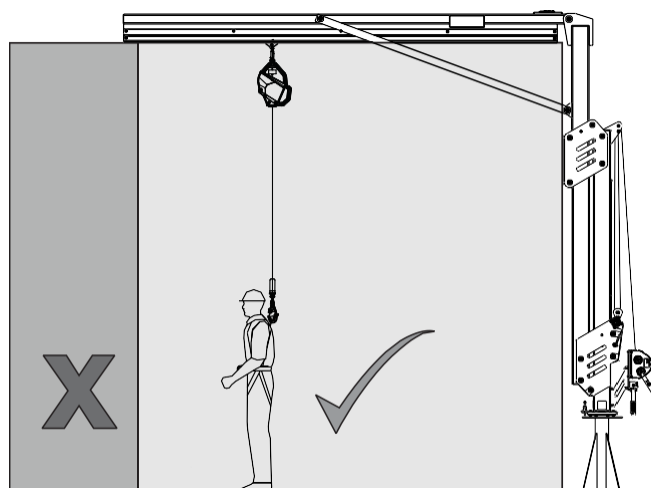
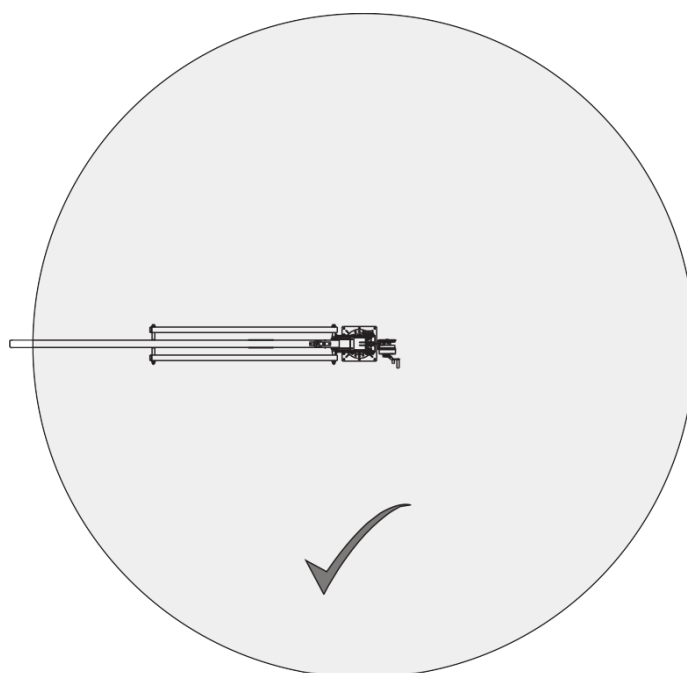


Elenco componenti				
	Numero di parte	Descrizione	Materiale	Quantità
1	9515114	Etichetta Utente	Poliestere	1
2	9514429	Etichetta ID	Poliestere	1
3	8550165	Cappuccio Base	Alluminio, Gomma	1

Requisiti di montaggio	
Carico minimo di momento della struttura di montaggio	Carico minimo verticale della struttura di montaggio
501,633 in-lb. (56,677 N-m)	3,320 lb. (1,506 kg) + Peso della Base + Peso del Braccio a Bandiera M200

APPLICAZIONE:

Fare riferimento al diagramma sottostante per l'area di lavoro del prodotto.



Kit Tasca per Pavimento

SCHEDA TECNICA: 8530912

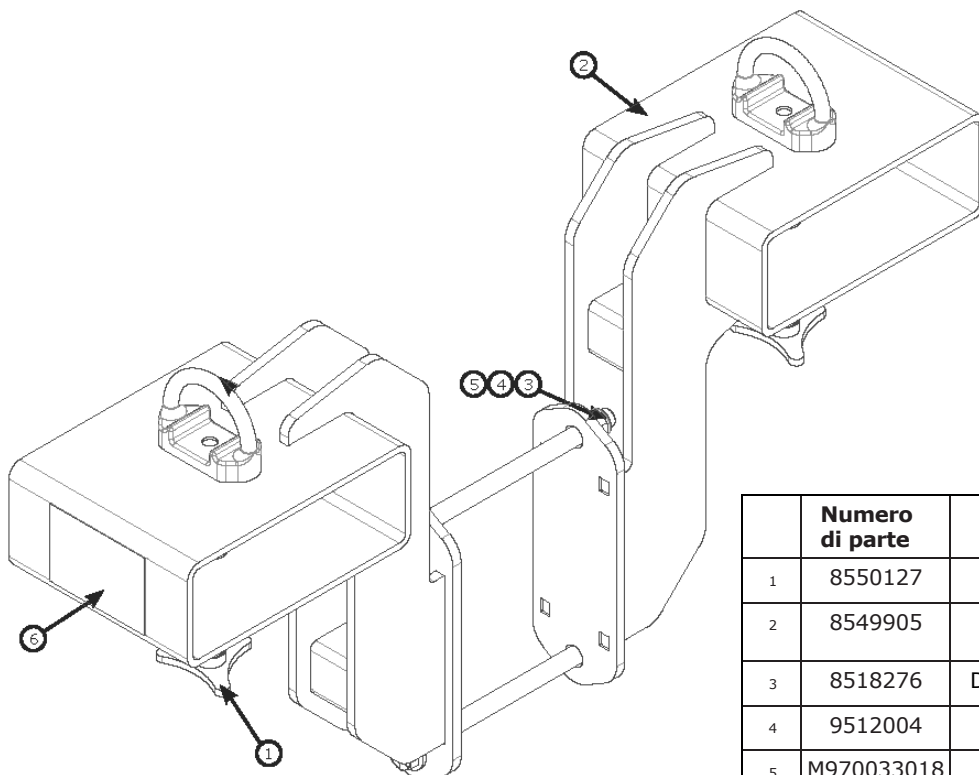
3M

DBI SALA®
Fall Protection

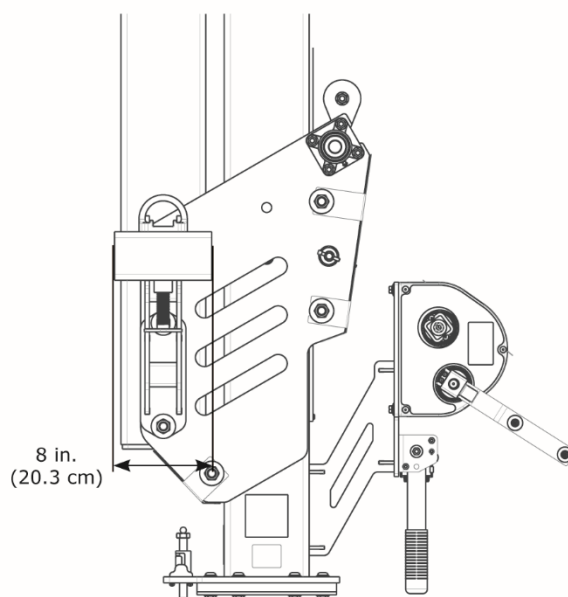
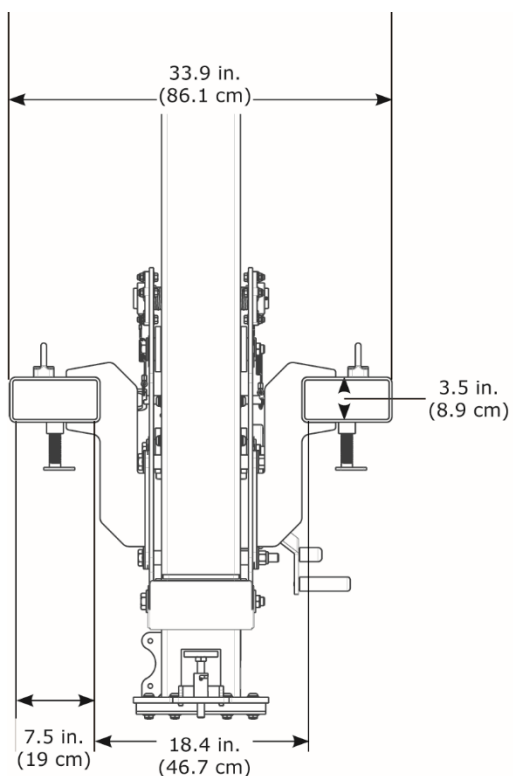
APPLICAZIONE:

Questo modello di kit tasca per forche è progettato per trasportare i modelli di braccio a bandiera azionati da verricello **8530891-8530898**.

Per ulteriori informazioni sull'installazione dei componenti, fare riferimento alle istruzioni per l'uso.



	Numero di parte	Descrizione	Quantità
1	8550127	Tri-Vite	2
2	8549905	Struttura Saldato Tasca per Forche	2
3	8518276	Dado Esagonale 3/4"	2
4	9512004	Bullone 3/4" x 12"	2
5	M970033018	Rondella 3/4"	4
6	9515122	Etichetta Utente	1
	9500146	Maglia della Catena	2
	8517096	Catena	10 ft.



Kit Tasca per Pavimento

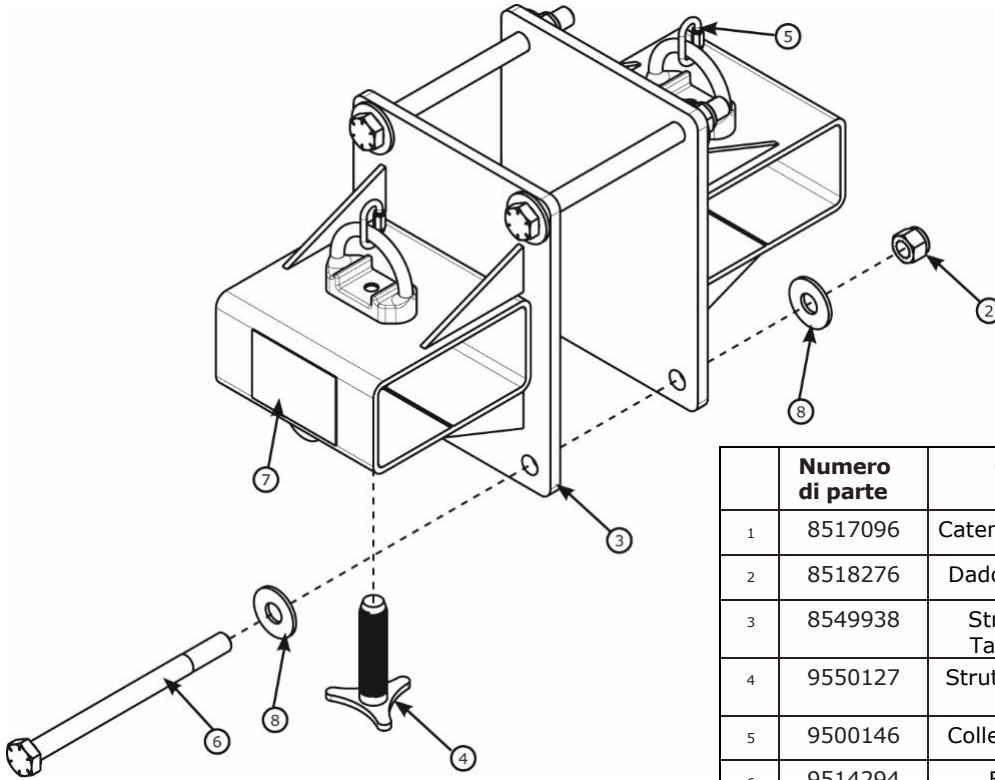
SCHEMA TECNICA: 8530925



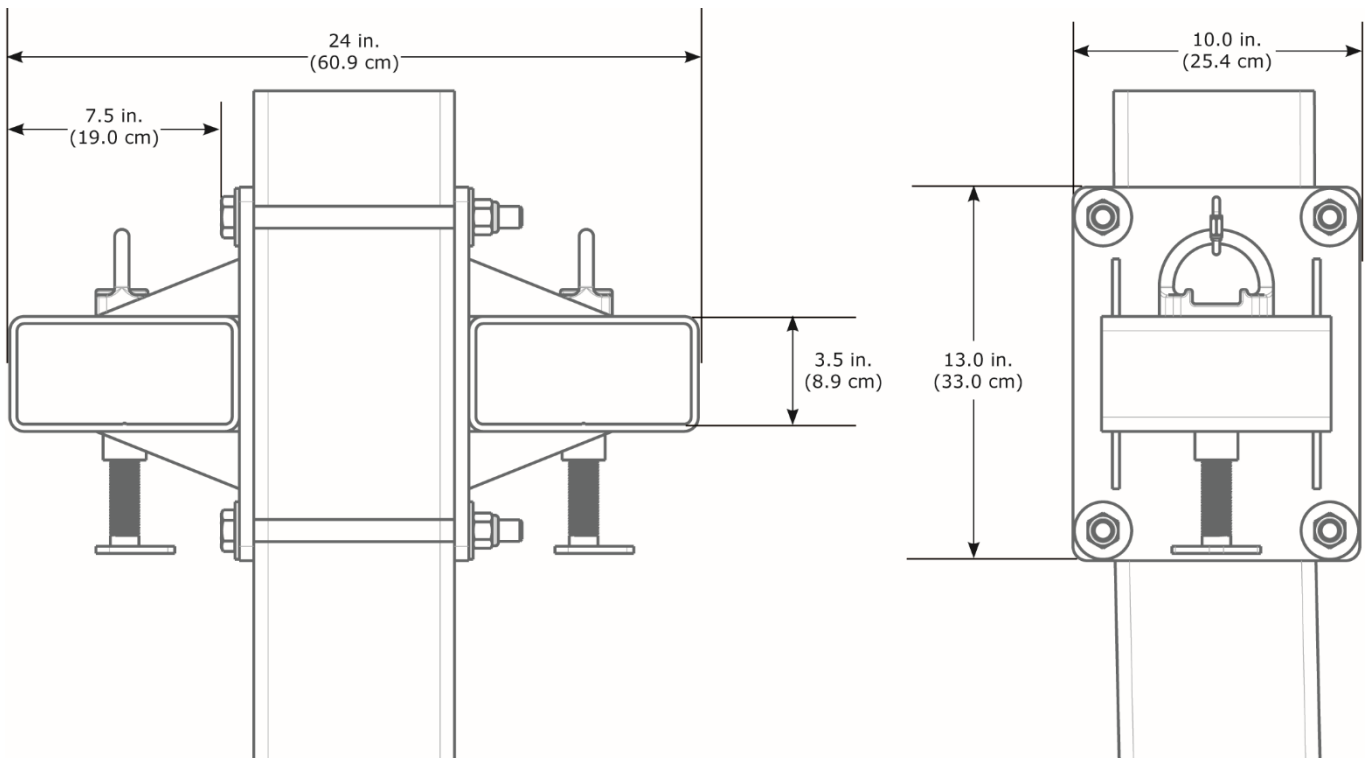
APPLICAZIONE:

Questo modello di kit tasca per forche è progettato per trasportare i modelli di braccio a bandiera con canale di regolazione **8530899-8530904**.

Per ulteriori informazioni sull'installazione dei componenti, fare riferimento alle istruzioni per l'uso.



	Numero di parte	Component	Quantità
1	8517096	Catena (non mostrata)	10 ft.
2	8518276	Dado Esagonale 3/4"	4
3	8549938	Struttura Saldato Tasca per Forche	2
4	9550127	Struttura Saldato Tri-Vite	2
5	9500146	Collegamento Rapido	2
6	9514294	Bullone Testa Esagonale 3/4"	4
7	9515573	Etichetta di Avvertimento	1
8	M970033018	Rondella 3/4"	8





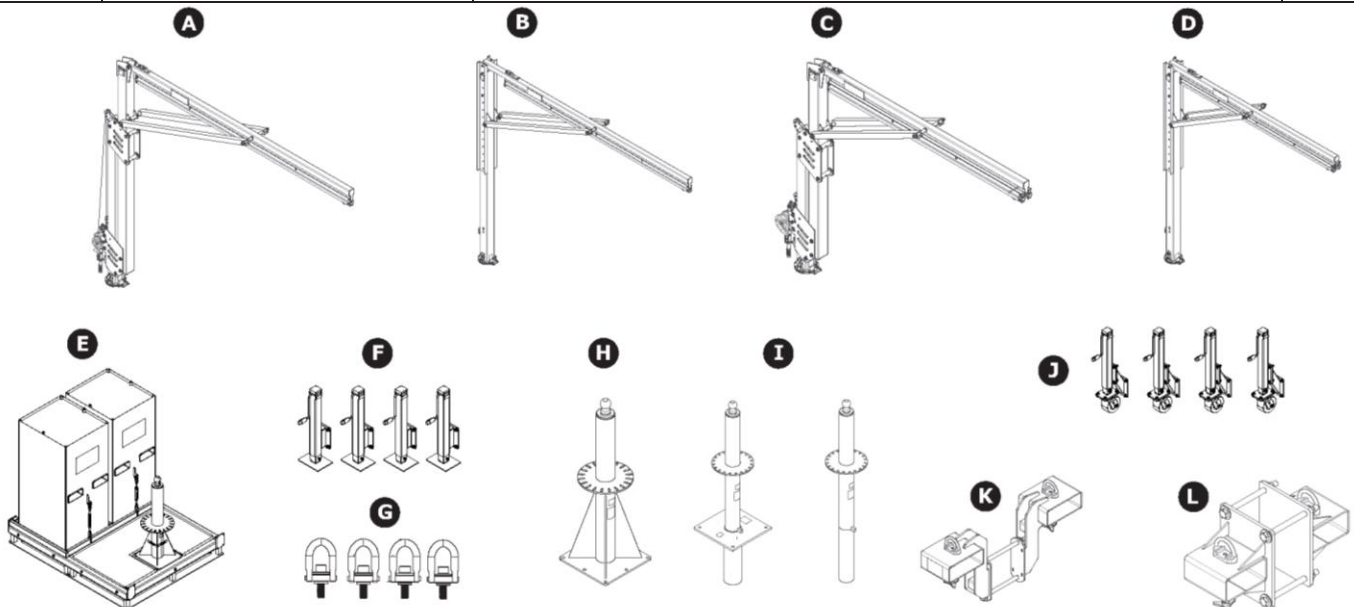
Fall Protection

**3M™ DBI-サラ™
M200 ダビットシステム**

テクニカルデータシートパック

5908526 Rev. D

参照	テクニカルデータシート	説明	ページ
A	8530891	12.3フィート-15フィート (3.8 m-4.6 m) 調整式ジブアーム	290
	8530892	14.8フィート-20フィート (4.5 m-6.1 m) 調整式ジブアーム	290
	8530893	17.3フィート-25フィート (5.3 m-7.6 m) 調整式ジブアーム	290
	8530894	19.8フィート-30フィート (6.1 m-9.1 m) 調整式ジブアーム	290
B	8530899	15フィート-20フィート (4.6 m-6.1 m) 半固定式ジブアーム	292
	8530900	20フィート-25フィート (6.1 m-7.6 m) 半固定式ジブアーム	292
	8530901	25フィート-30フィート (7.6 m-9.1 m) 半固定式ジブアーム	292
C	8530895	12.3フィート-15フィート (3.8 m-4.6 m) 調整式ジブアーム	294
	8530896	14.8フィート-20フィート (4.5 m-6.1 m) 調整式ジブアーム	294
	8530897	17.3フィート-25フィート (5.3 m-7.6 m) 調整式ジブアーム	294
	8530898	19.8フィート-30フィート (6.1 m-9.1 m) 調整式ジブアーム	294
D	8530902	15フィート-20フィート (4.6 m-6.1 m) 半固定式ジブアーム	296
	8530903	20フィート-25フィート (6.1 m-7.6 m) 半固定式ジブアーム	296
	8530904	25フィート-30フィート (7.6 m-9.1 m) 半固定式ジブアーム	296
E	8530886	未充填カウンターウェイトベース	298
	8530887	充填済みカウンターウェイトベース	298
F	8530907	カウンターウェイトベースジャッキ	300
G	8530777	カウンターウェイトベース吊り上げ用リング	300
H	8530888	フロアマウントベース	302
I	8530889, 8530920, 8530921	フラッシュマウントベース	303
J	8530908	カウンターウェイトベースホイール	300
K	8530912	フォークポケットキット	305
L	8530925	フォークポケットキット	306



調整式モジュラージブアーム

テクニカルデータシート: 8530891-8530894



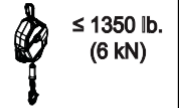
Fall Protection

用途:

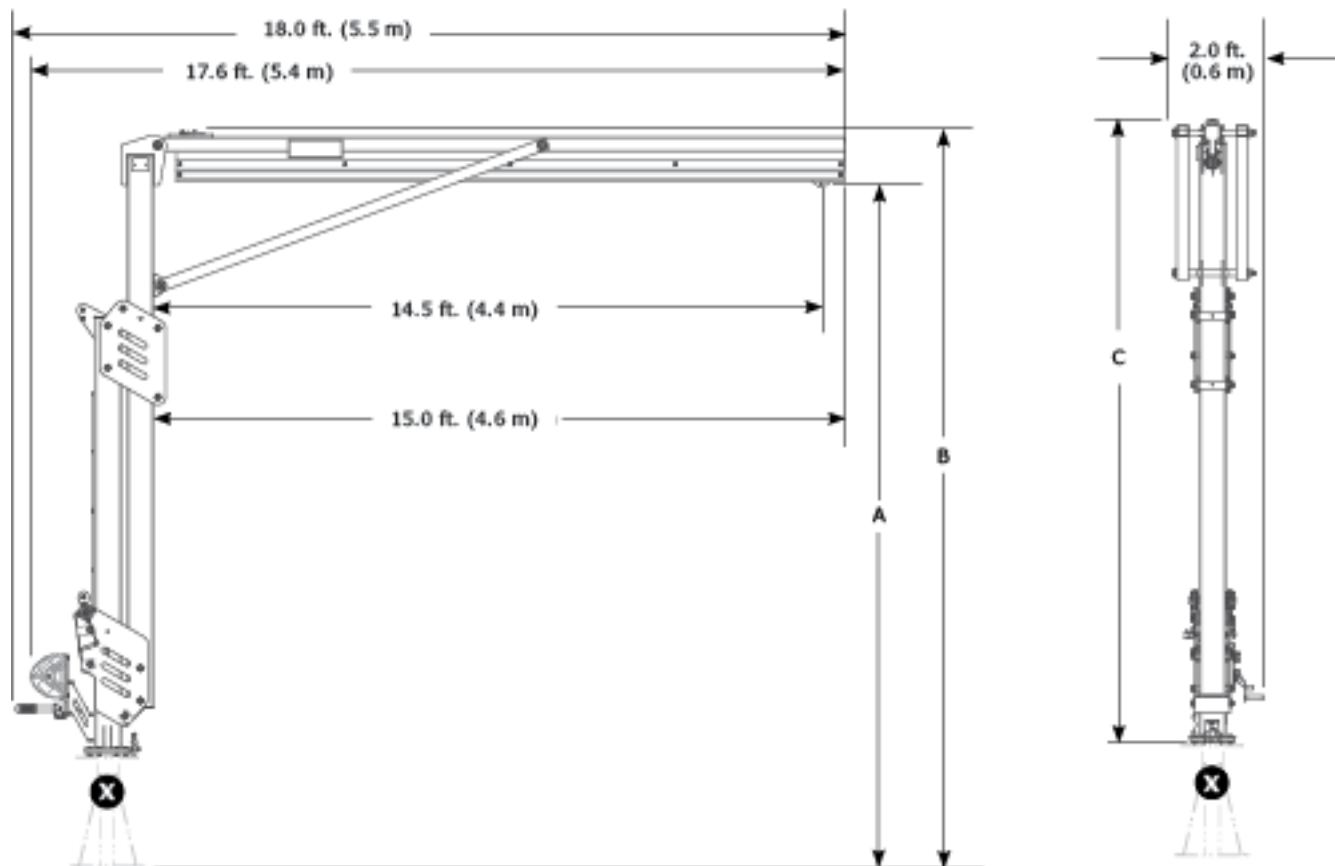
デービットは、墜落防止システムのためのアンカー接続ポイントを提供するための製品です。

本製品の設置に関する詳細は、取扱説明書を参照してください。

規格: EN795:2012 タイプ E, OSHA 1910.140, OSHA 1926.502



1x



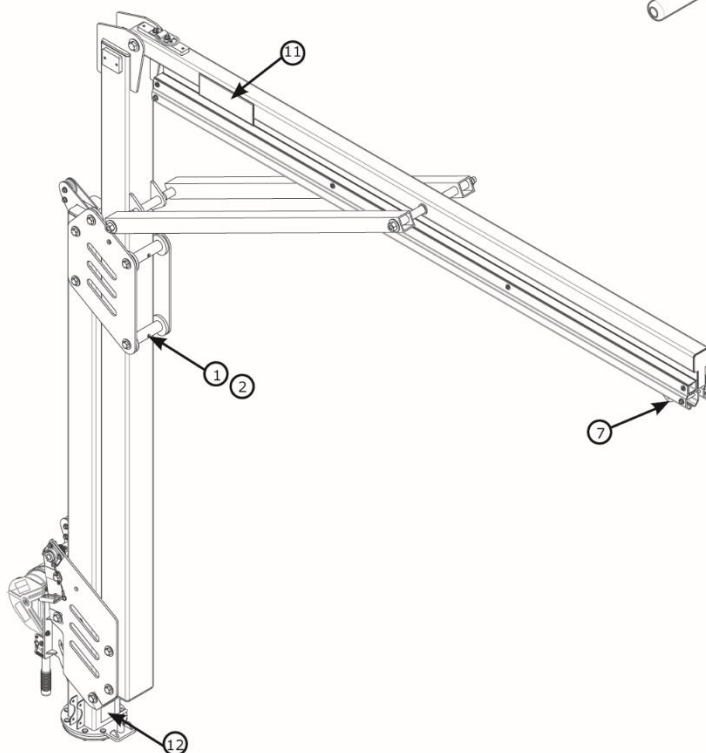
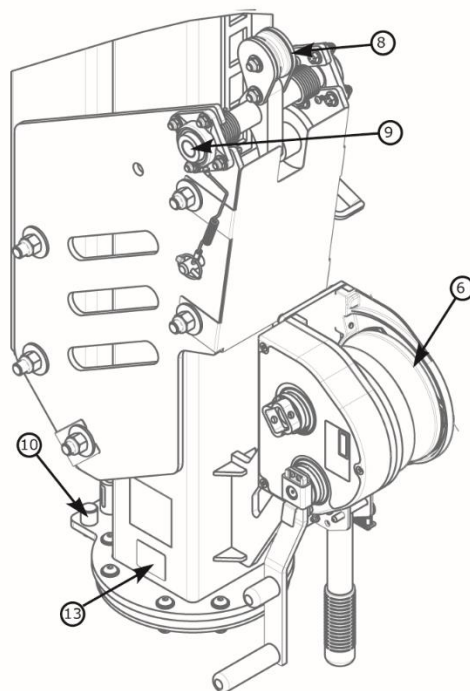
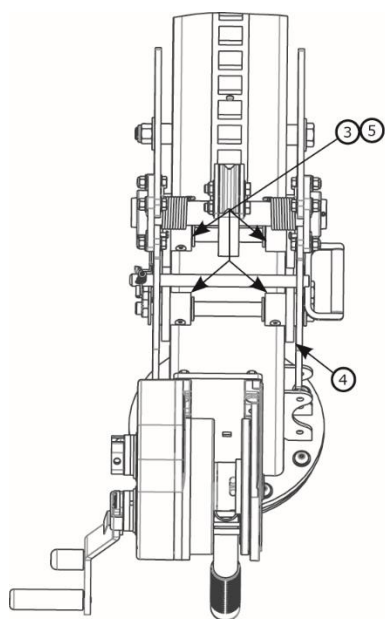
	A	B	C	lb. (kg)
8530891	12.3 ft. - 15.0 ft. (3.8 m - 4.6 m)	13.4 ft. - 16.1 ft. (4.1 m - 4.9 m)	9.8 ft. - 14.8 ft. (3.0 m - 4.5 ft.)	945 lb. (429 kg)
8530892	14.8 ft. - 20.0 ft. (4.5 m - 6.1 m)	15.9 ft. - 21.1 ft. (4.8 m - 6.4 m)	13.5 ft. - 18.7 ft. (4.1 m - 5.7 m)	1,057 lb. (479 kg)
8530893	17.3 ft. - 25.0 ft. (5.3 m - 7.6 m)	18.4 ft. - 26.1 ft. (5.6 m - 8.0 m)	16.0 - 23.7 ft. (4.9 m - 7.2 m)	1,169 lb. (530 kg)
8530894	19.8 ft. - 30.0 ft. (6.0 m - 9.1 m)	20.9 ft. - 31.1 ft. (6.4 m - 9.5 m)	18.5 ft. - 28.7 ft. (5.6 m - 8.7 m)	1,281 lb. (581 kg)

調整式モジュラージブアームコンポーネント

テクニカルデータシート: 8530891-8530894



Fall Protection



部品リスト

	部品番号	説明	素材	数量
1	8550046	ワイドローラー	ナイロン	3
2	8550047	ワイドローラー用スペーサー	304ステンレス鋼	3
3	8550327	ナローローラー用	ナイロン	2
4	9514703	サイドローラー	ナイロン	8
5	8550213	ナローローラー用スペーサー	304ステンレス鋼	2
6	8549930	ウインチ	鉄	1
7	8521711	トロリー	鉄、ナイロン	1

部品リスト

	部品番号	説明	素材	数量
8	8550223	ロック機構 (指定修理のみ)	鉄、ナイロン	1
9	9515138	ベアリング	鉄	2
10	8550398	回転ストッパー	アルミニウム	2
11	9515111	3Mラベル	ポリエステル	2
12	9515101	回転ラベル	ポリエステル	1
13	9514429	IDラベル	ポリエステル	1
14	9515112	使用者ラベル	ポリエステル	1

半固定式モジュラージブアーム

テクニカルデータシート: 8530899-8530901




用途:


デービットは、墜落防止システムのためのアンカー接続ポイントを提供するための製品です。

本製品の設置に関する詳細は、取扱説明書を参照してください。

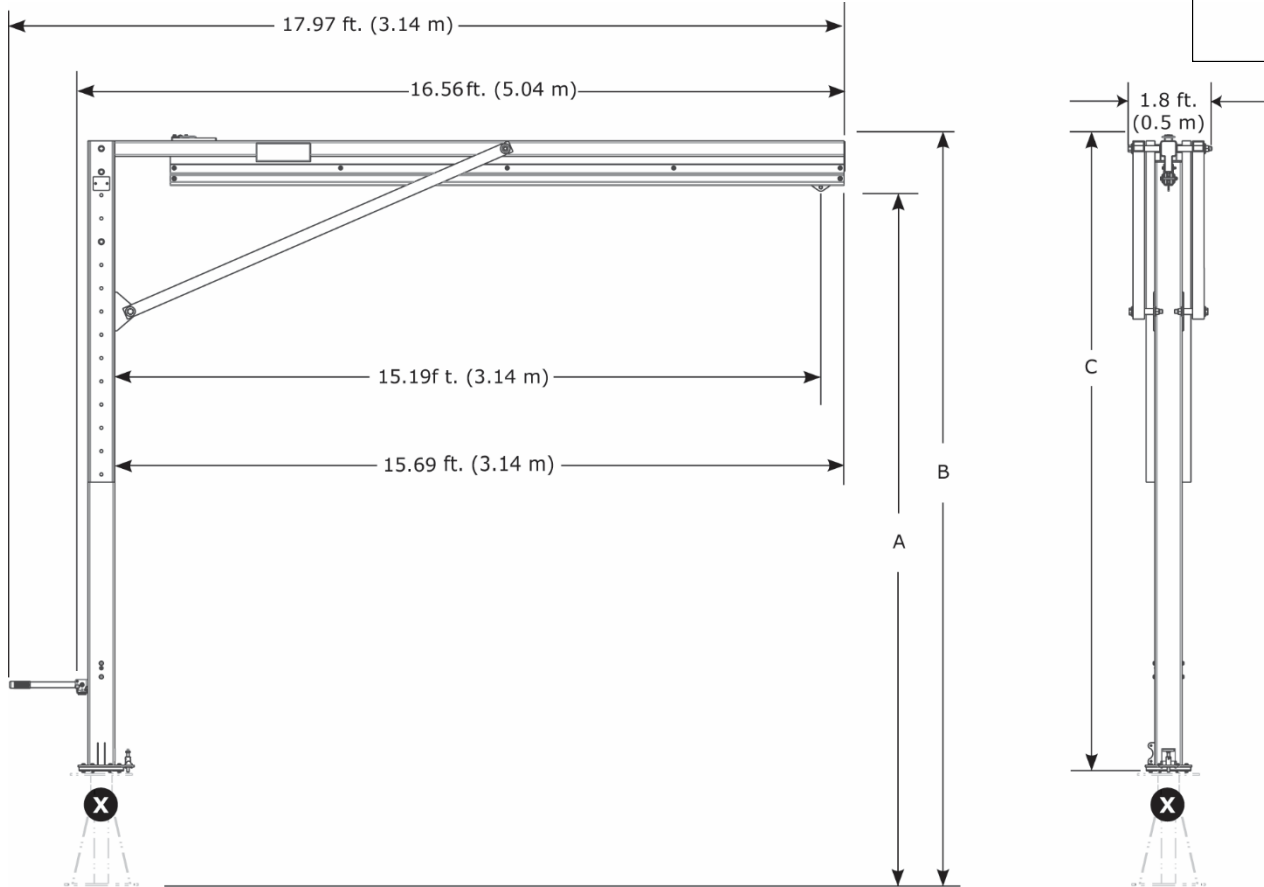
規格: EN795:2012 タイプ E, OSHA 1910.140, OSHA 1926.502



≤ 1350 lb.
(6 kN)



1x ≤ 310 lb.
(140 kg)



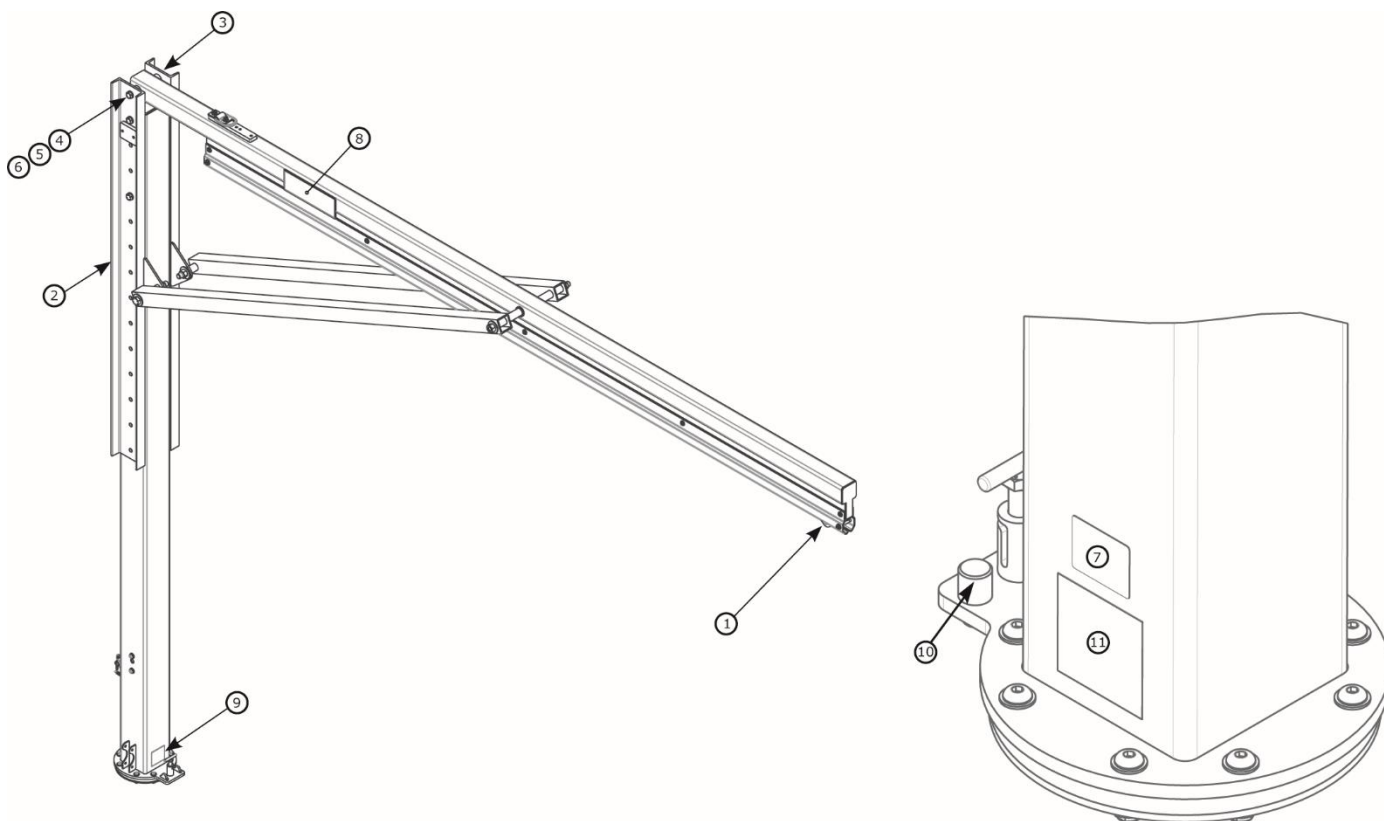
	A	B	C	lb. (kg)
8530899	15.0 ft. - 20.0 ft. (4.6 m - 6.1 m)	16.1 ft. - 21.1 ft. (4.9 m - 6.4 m)	13.7 ft. - 18.7 ft. (4.2 m - 5.7 m)	818 lb. (371 kg)
8530900	20.0 ft. - 25.0 ft. (6.1 m - 7.6 m)	21.1 ft. - 26.1 ft. (6.4 m - 7.9 m)	18.7 ft. - 23.7 ft. (5.7 m - 7.2 m)	930 lb. (422 kg)
8530901	25.0 ft. - 30.0 ft. (7.6 m - 9.1 m)	26.1 ft. - 31.1 ft. (7.9 m - 9.6 m)	23.7 ft. - 28.7 ft. (7.2 m - 8.7 m)	1,041 lb. (472 kg)
+6" (152 mm) 調整増分				

半固定式モジュラージブアームコンポーネント

テクニカルデータシート: 8530899-8530901



Fall Protection



部品番号	説明	素材	数量
1 8521711	トロリー	ステンレス鋼、鉄、ナイロン	1
2 8549933	救助マウントチャンネル	鉄	1
3 8550248	チャンネル	鉄	1
4 8526654	3/4" x 9" ボルト	鉄	2
5 8522275	3/4" ワッシャー	鉄	4
6 8518276	3/4" ナット	鉄	2
7 9514429	IDラベル	ポリエステル	1

部品番号	説明	素材	数量
8 9515111	3Mラベル	ポリエステル	2
9 9515101	回転ラベル	ポリエステル	1
10 8550398	回転ストッパー	アルミニウム	2
11 9515112	使用者ラベル	ポリエステル	1

調整式モジュラージブアーム

テクニカルデータシート: 8530895-8530898

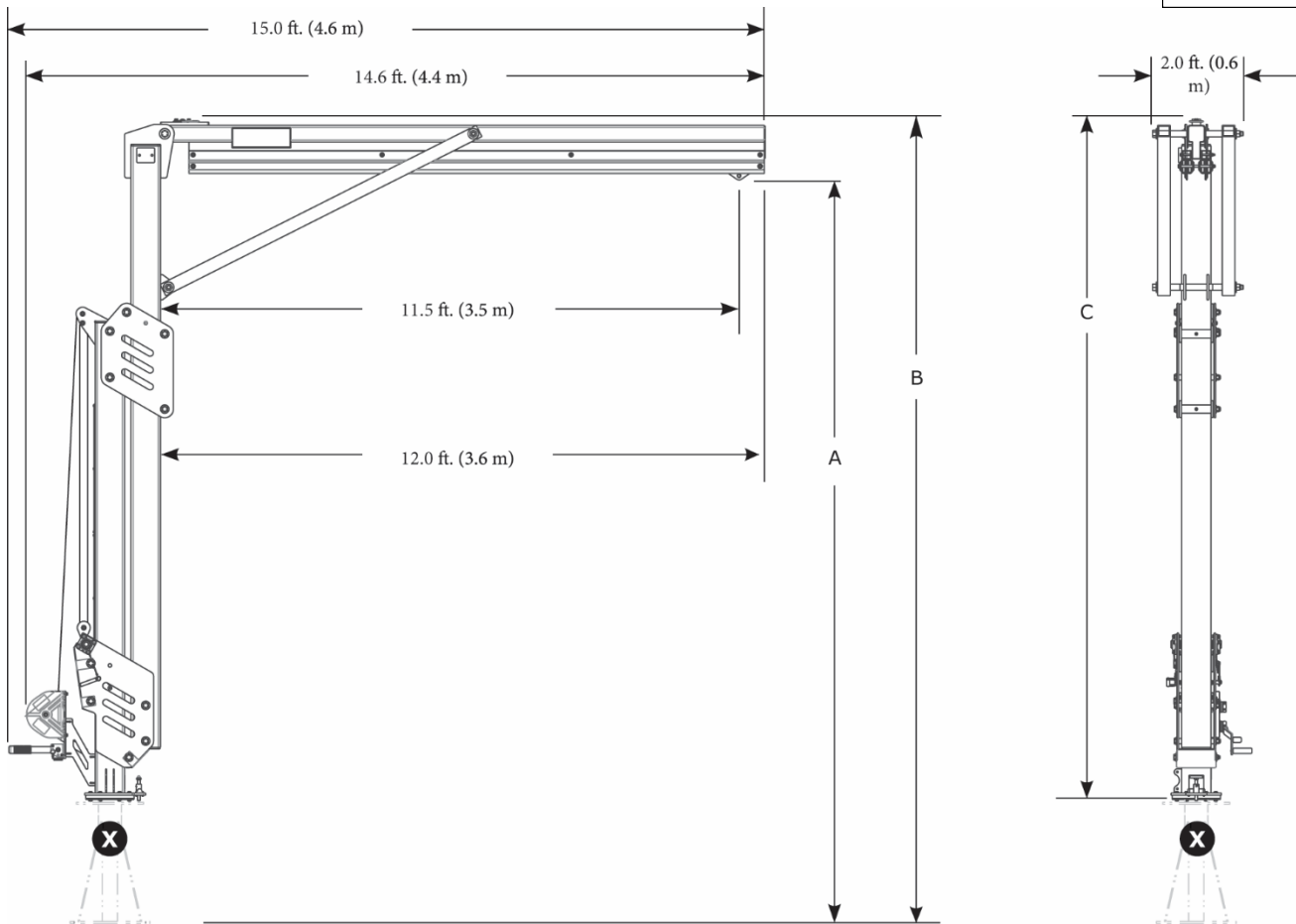
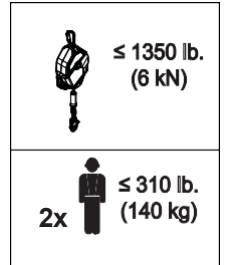


用途:

デビットは、墜落防止システムのためのアンカー接続ポイントを提供するための製品です。

本製品の設置に関する詳細は、取扱説明書を参照してください。

規格: CEN/TS 16415:2013 タイプ E, EN795:2012 タイプ E, OSHA 1910.140, OSHA 1926.502



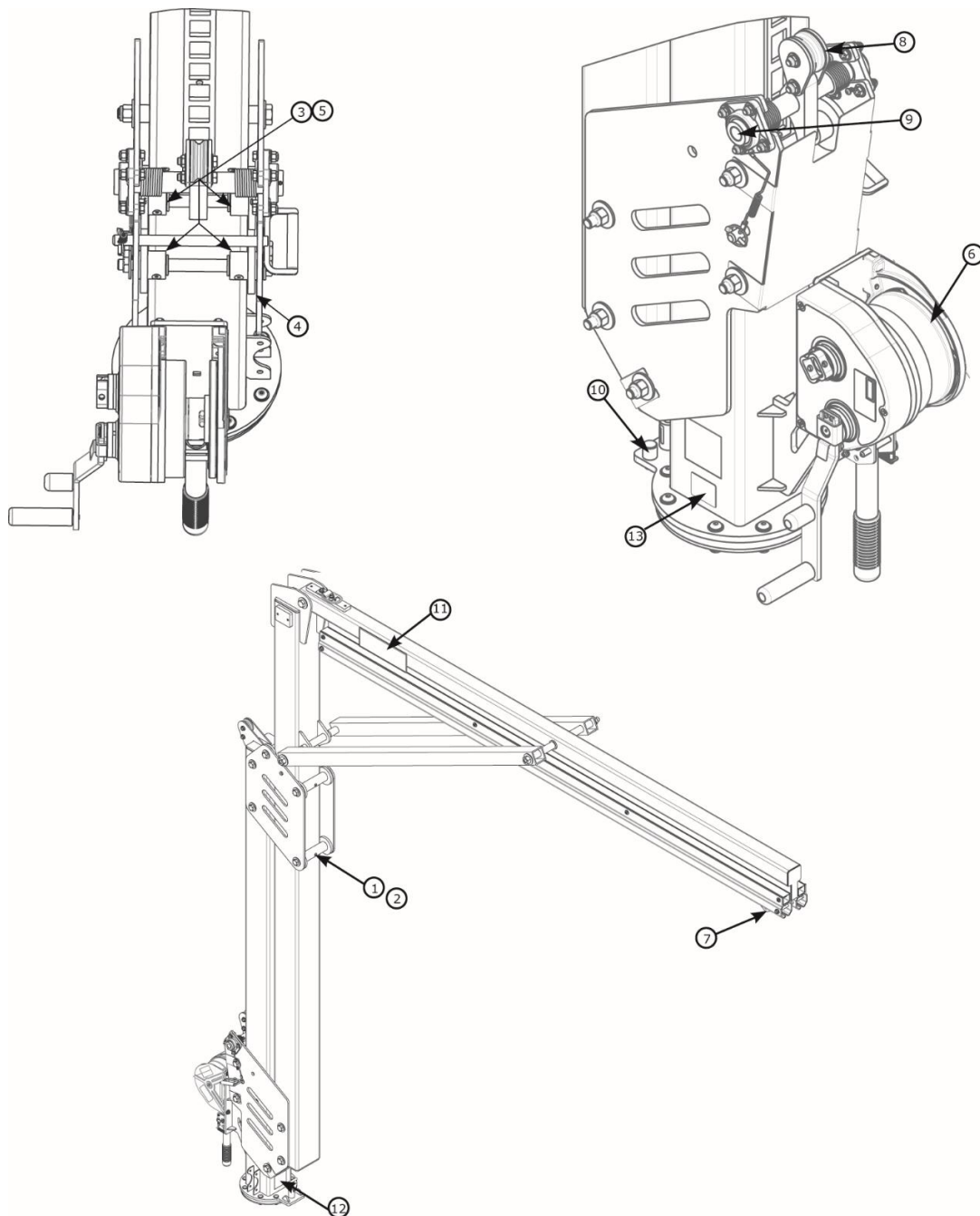
	A	B	C	lb. (kg)
8530895	12.3 ft. - 15.0 ft. (3.8 m - 4.6 m)	13.4 ft. - 16.1 ft. (4.1 m - 4.9 m)	11.0 ft. - 13.7 ft. (3.4 m - 4.2 ft.)	1,011 lb. (459 kg)
8530896	14.8 ft. - 20.0 ft. (4.5 m - 6.1 m)	15.9 ft. - 21.1 ft. (4.8 m - 6.4 m)	13.5 ft. - 18.7 ft. (4.1 m - 5.7 m)	1,123 lb. (509 kg)
8530897	17.3 ft. - 25.0 ft. (5.3 m - 7.6 m)	18.4 ft. - 26.1 ft. (5.6 m - 8.0 m)	16.0 - 23.7 ft. (4.9 m - 7.2 m)	1,235 lb. (560 kg)
8530898	19.8 ft. - 30.0 ft. (6.0 m - 9.1 m)	20.9 ft. - 31.1 ft. (6.4 m - 9.5 m)	18.5 ft. - 28.7 ft. (5.6 m - 8.7 m)	1,343 lb. (609 kg)

調整式モジュラージブアームコンポーネント

テクニカルデータシート: 8530895-8530898



Fall Protection



部品リスト				
	部品番号	説明	素材	数量
1	8550046	ワイドローラー	ナイロン	3
2	8550047	ワイドローラー用 スペーサー	304ステンレス鋼	3
3	8550327	ナローローラー用	ナイロン	2
4	9514703	サイドローラー	ナイロン	8
5	8550213	ナローローラー用 スペーサー	304ステンレス鋼	2
6	8549930	ウインチ	鉄	1
7	8521711	トロリー	鉄、ナイロン	1

部品リスト				
	部品番号	説明	素材	数量
8	8550223	ロック機構 (指定 修理のみ)	鉄、ナイロン	1
9	9515138	ベアリング	鉄	2
10	8550398	回転ストッパー	アルミニウム	2
11	9515111	3Mラベル	ポリエステル	2
12	9515101	回転ラベル	ポリエステル	1
13	9514429	IDラベル	ポリエステル	1
14	9515112	使用者ラベル	ポリエステル	1

半固定式モジュラージブアーム

テクニカルデータシート: 8530902-8530904

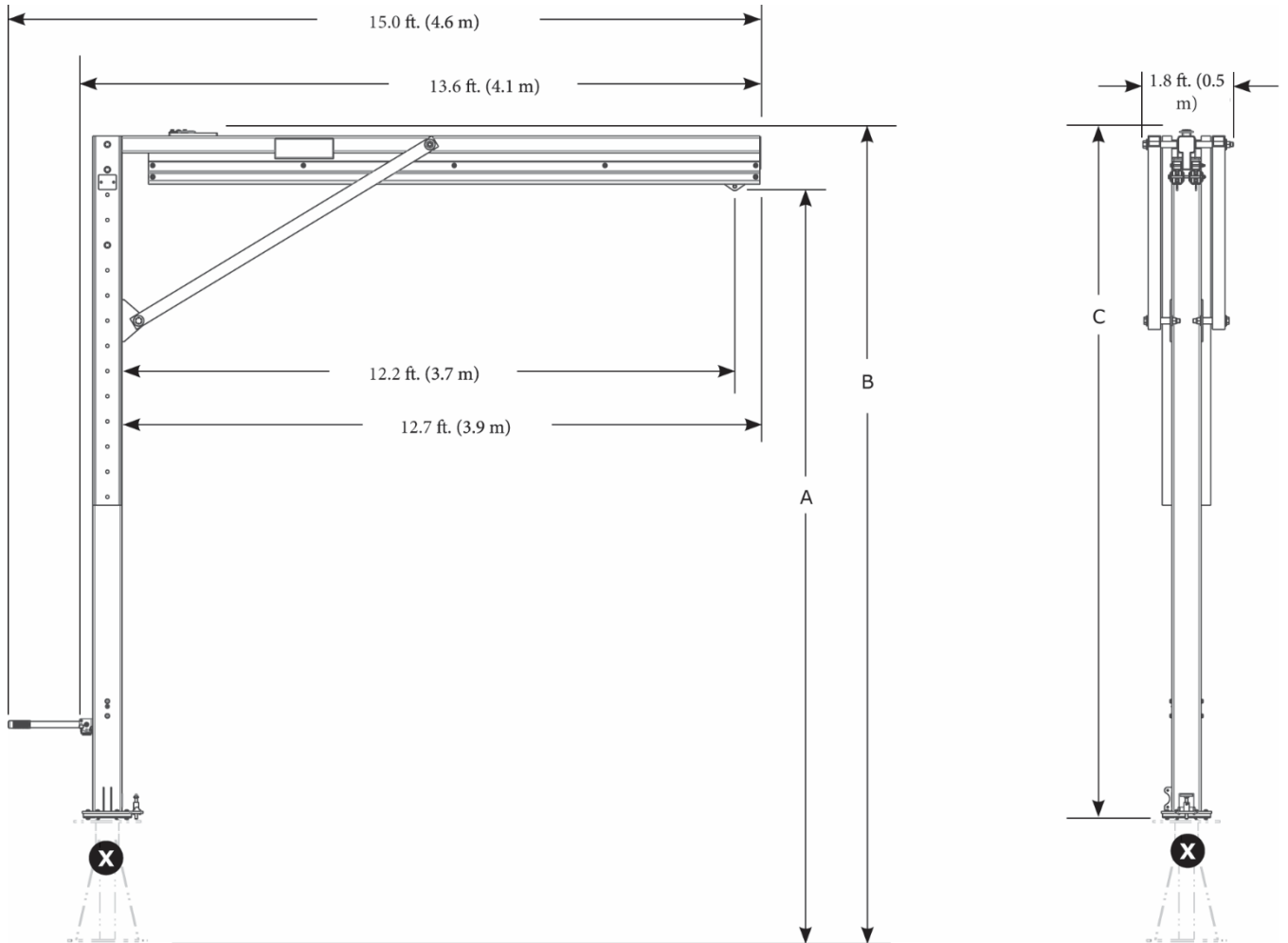
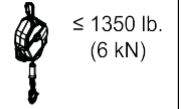


用途:

デービットは、墜落防止システムのためのアンカー接続ポイントを提供するための製品です。

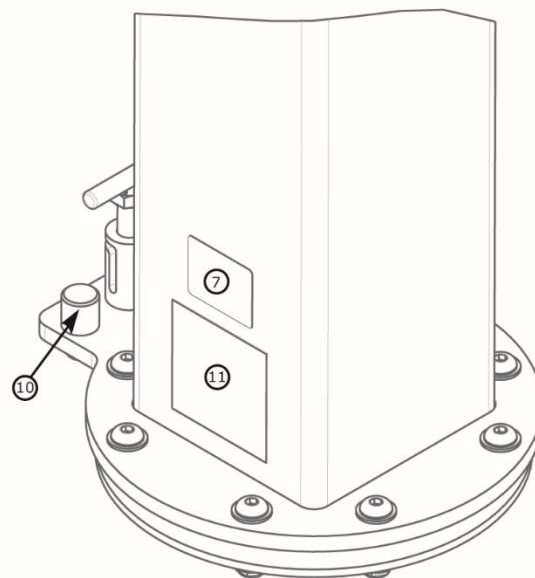
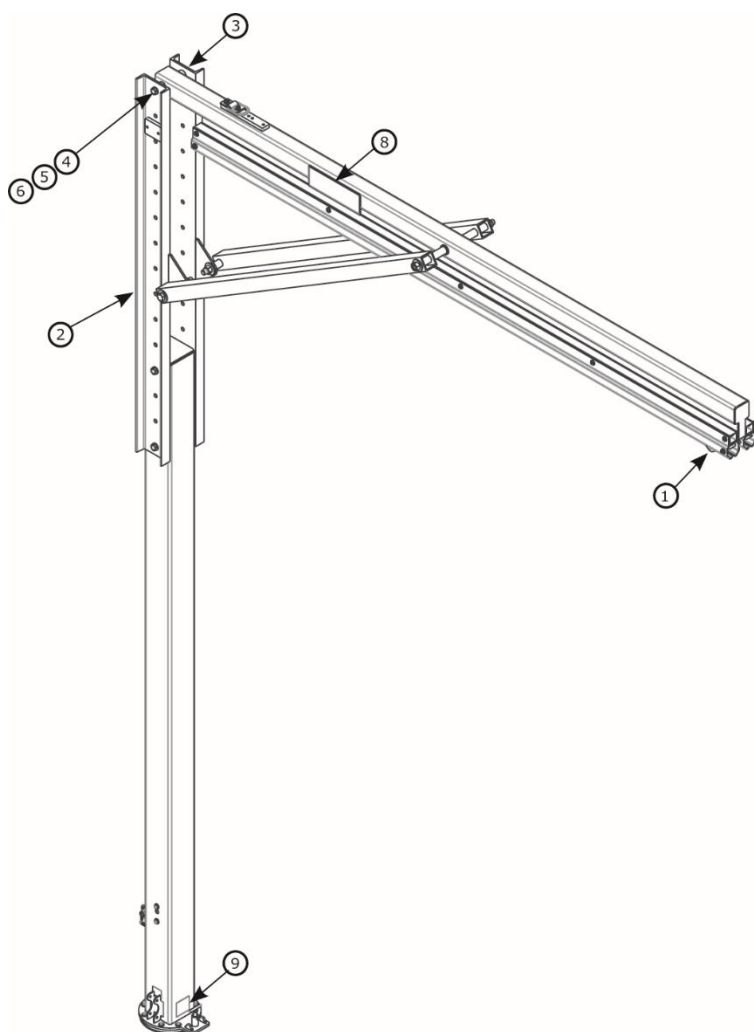
本製品の設置に関する詳細は、取扱説明書を参照してください。

規格: CEN/TS 16415:2013 タイプ E, EN795:2012 タイプ E, OSHA 1910.140, OSHA 1926.502



	A	B	C	lb. (kg)
8530902	15.0 ft. - 20.0 ft. (4.6 m - 6.1 m)	16.1 ft. - 21.1 ft. (4.9 m - 6.4 m)	13.7 ft. - 18.7 ft. (4.2 m - 5.7 m)	850 lb. (386 kg)
8530903	20.0 ft. - 25.0 ft. (6.1 m - 7.6 m)	21.1 ft. - 26.1 ft. (6.4 m - 7.9 m)	18.7 ft. - 23.7 ft. (5.7 m - 7.2 m)	961 lb. (436 kg)
8530904	25.0 ft. - 30.0 ft. (7.6 m - 9.1 m)	26.1 ft. - 31.1 ft. (7.9 m - 9.6 m)	23.7 ft. - 28.7 ft. (7.2 m - 8.7 m)	1,073 lb. (487 kg)

半固定式モジュラージブアームコンポーネント
 テクニカルデータシート: 8530902-8530904



	部品番号	説明	素材	数量
1	8521711	トロリー	ステンレス鋼、鉄、ナイロン	1
2	8549933	救助マウントチャンネル	鉄	1
3	8550248	チャンネル	鉄	1
4	8526654	3/4" x 9" ボルト	鉄	2
5	8522275	3/4" ワッシャー	鉄	4
6	8518276	3/4" ナット	鉄	2
7	9514429	IDラベル	ポリエステル	1

	部品番号	説明	素材	数量
8	9515111	3Mラベル	ポリエステル	2
9	9515101	回転ラベル	ポリエステル	1
10	8550398	回転ストッパー	アルミニウム	2
11	9515112	使用者ラベル	ポリエステル	1

M200用カウンターウェイトベース

テクニカルデータシート: 8530886, 8530887



用途:

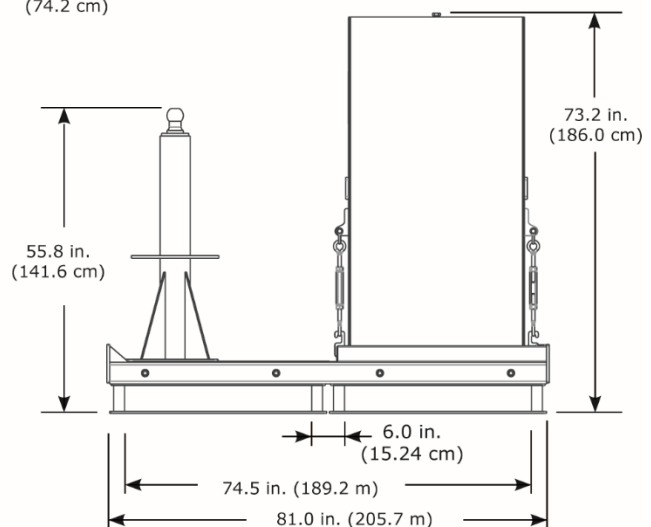
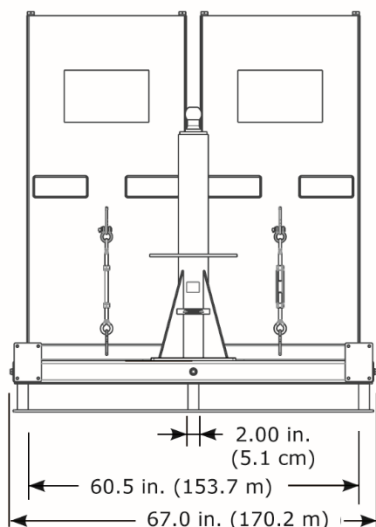
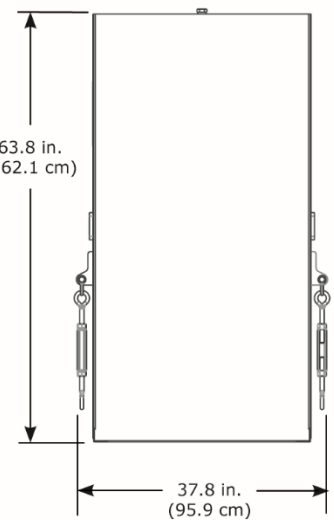
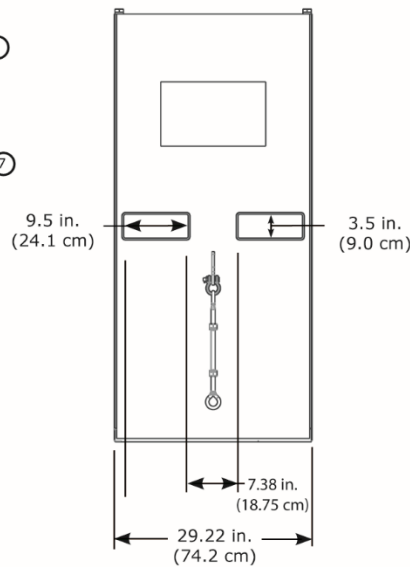
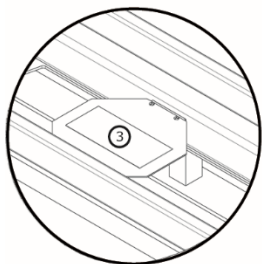
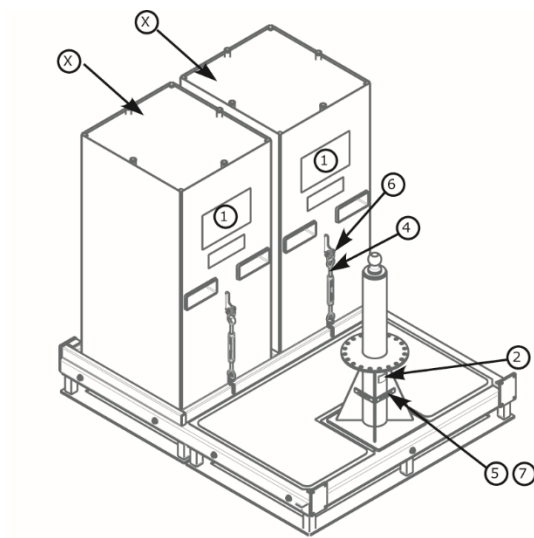
カウンターウェイトベースは、コンクリートを充填し、3M™ DBI-SALA® Flexiguard™ モジュラー ジブシステムに取り付けポイントとして使用するための製品です。

本製品の設置に関する詳細は、取扱説明書を参照してください。

規格: CEN/TS 16415:2013 タイプ E, EN795:2012 タイプ E, OSHA 1910.140, OSHA 1926.502

	X 4,000 psi (30 MPa)	設置構造の要件	重量
8530886		14,645 lb. (6,643 kg)	2,407 lb. (1,092 kg)
8530887	√	+ M200ジブブーム の重量	11,325 lb. (5,137 kg)

部品リスト				
	部品番号	説明	素材	数量
1	9515107	使用者ラベル	ポリエステル	1
2	9514429	IDラベル	ポリエステル	1
3	9515106	警告ラベル	ポリエステル	1
4	8520575	ターンバックル	鉄	2
5	9513627	#4ネジ	鉄	4
6	9501794	シャックル	鉄	2
7	9515058	水準器	プラスチック	2
8	9515566	警告ラベル	ポリエステル	4

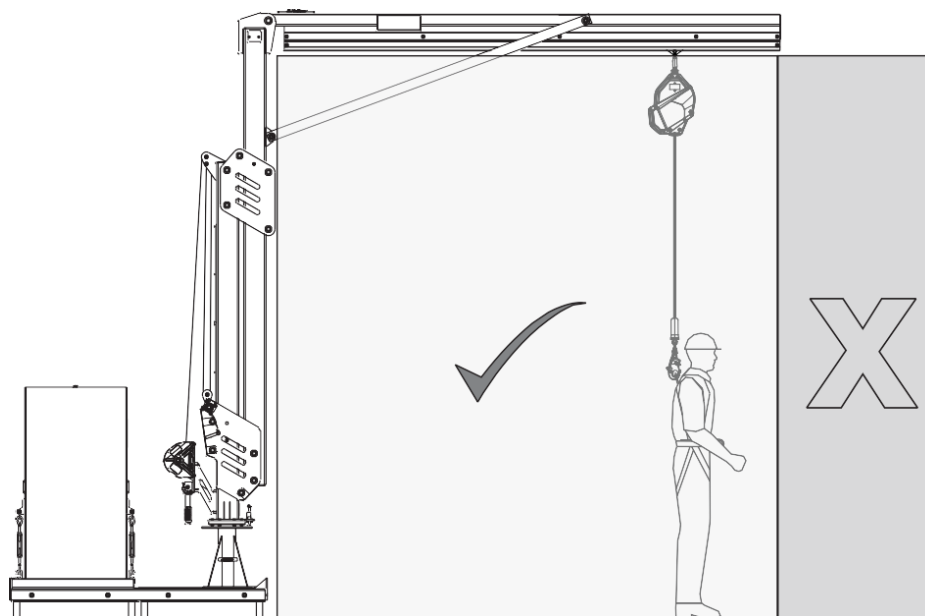
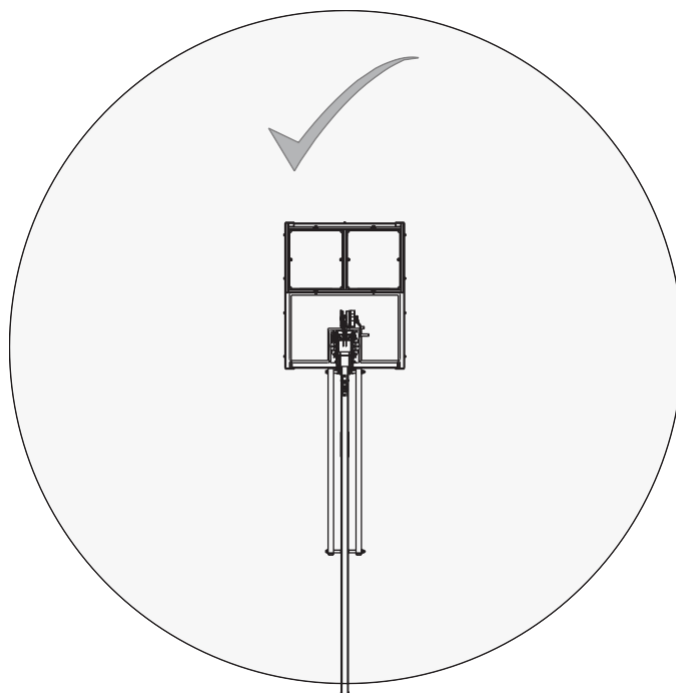


M200用カウンターウェイトベース作業区域
テクニカルデータシート: 8530886, 8530887



用途:

本製品の作業区域については、以下の図を参照してください。



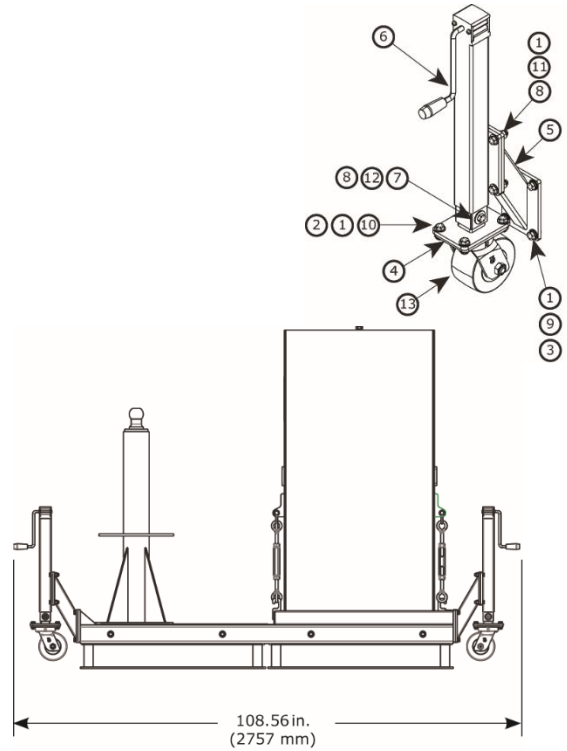
M200用カウンターウェイトベース関連部品

テクニカルデータシート: 8530907, 8530908, 8530777

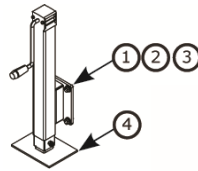


Fall Protection

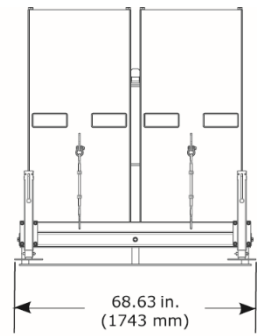
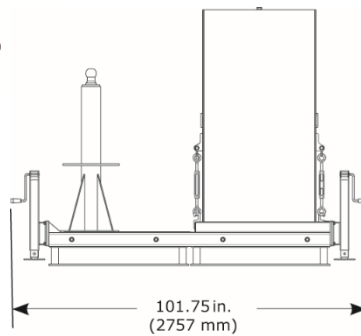
部品リスト				
	部品番号	説明	素材	数量
1	8510037	1/2" ワッシャー	鉄	80
2	8512460	1/2" x 1 1/4" ボルト	鉄	16
3	8518432	1/2" x 1" ボルト	鉄	16
4	8550153	ホイール取付部品	鉄	4
5	8550155	角度固定部品	鉄	4
6	8550156	ジャッキ	鉄	4
7	9501243	1/2" ワッシャー	鉄	8
8	9501831	1/2" 六角ナット	鉄	20
9	9504221	1/2" ワッシャー	鉄	16
10	9504813	1/2" 六角ナット	鉄	16
11	9509276	1/2" x 1 3/4" ボルト	鉄	16
12	9510153	1/2" x 3 1/4" ボルト	鉄	4
13	9515081	キャスター ホイール	鉄、ウレタン	4



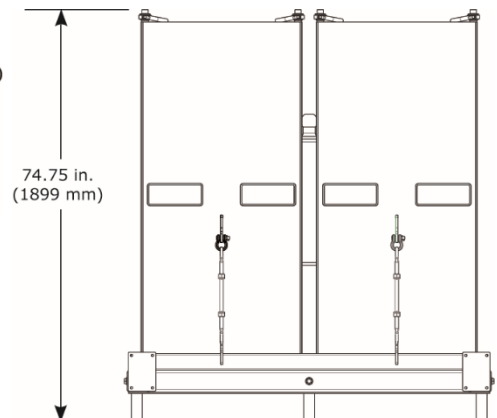
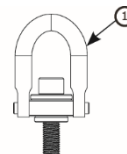
	8530907	8530908	8530777
重量	108 lb. (49 kg)	152 lb. (69 kg)	12 lb. (5.4 kg)



	部品番号	説明	素材	数量
1	9504221	1/2" ロックワッシャー	鉄	16
2	8510037	1/2" ワッシャー	鉄	16
3	8518432	1/2" x 1" ボルト	鉄	16
4	8550177	ホイール溶接部品	鉄	4





部品リスト				
	部品番号	説明	素材	数量
1	9512574	吊り上げ用リング	鉄	4

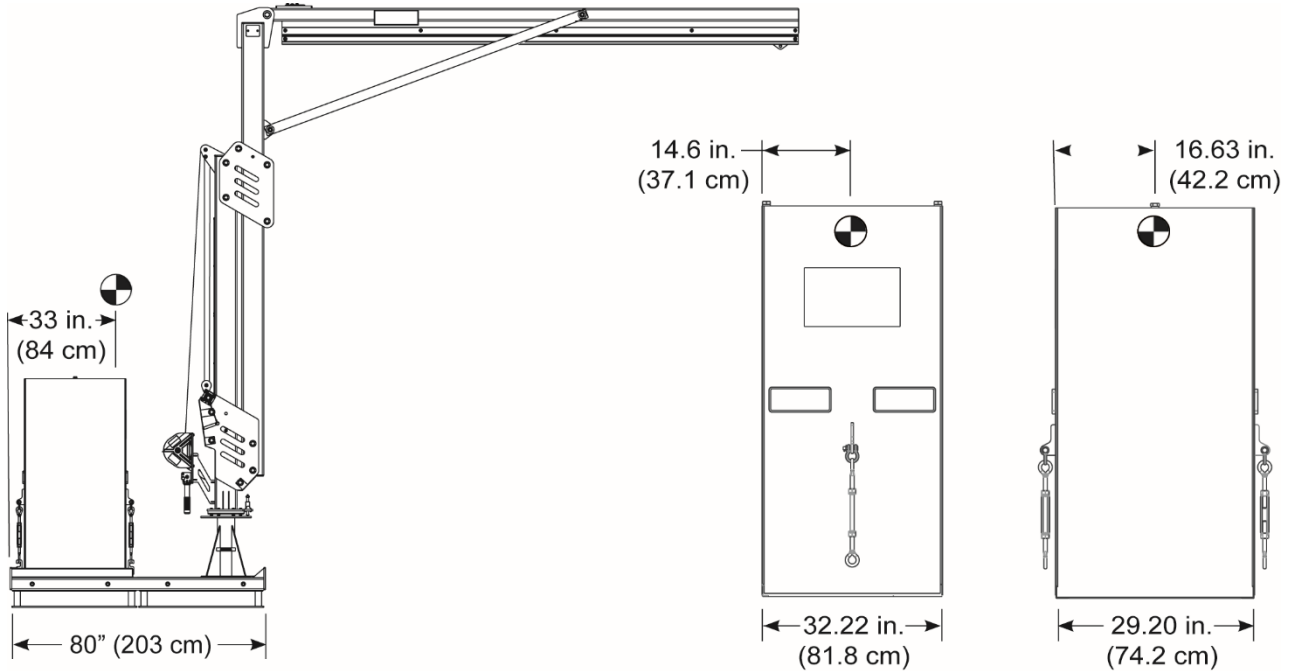


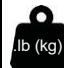
M200用カウンターウェイトベースの重心
テクニカルデータシート: 8530886, 8530887




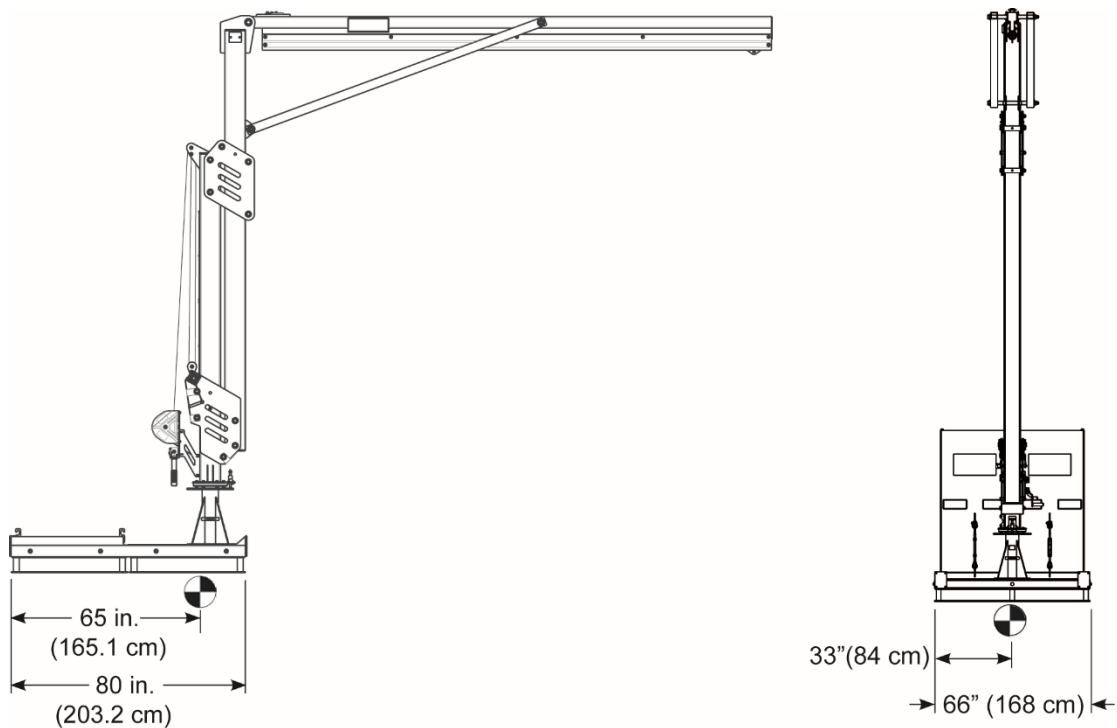
8530887	8530898
 .lb (kg)	12,668 lbs. (5,746 kg)

 .lb (kg)	5,000 lbs. (2,268 kg)
--	--------------------------



8530887	8530898
 .lb (kg)	2,668 lbs. (1,210 kg)

8530887	8530898
 .lb (kg)	12,668 lbs. (5,746 kg)



M200用フロアマウントベース

テクニカルデータシート: 8530888



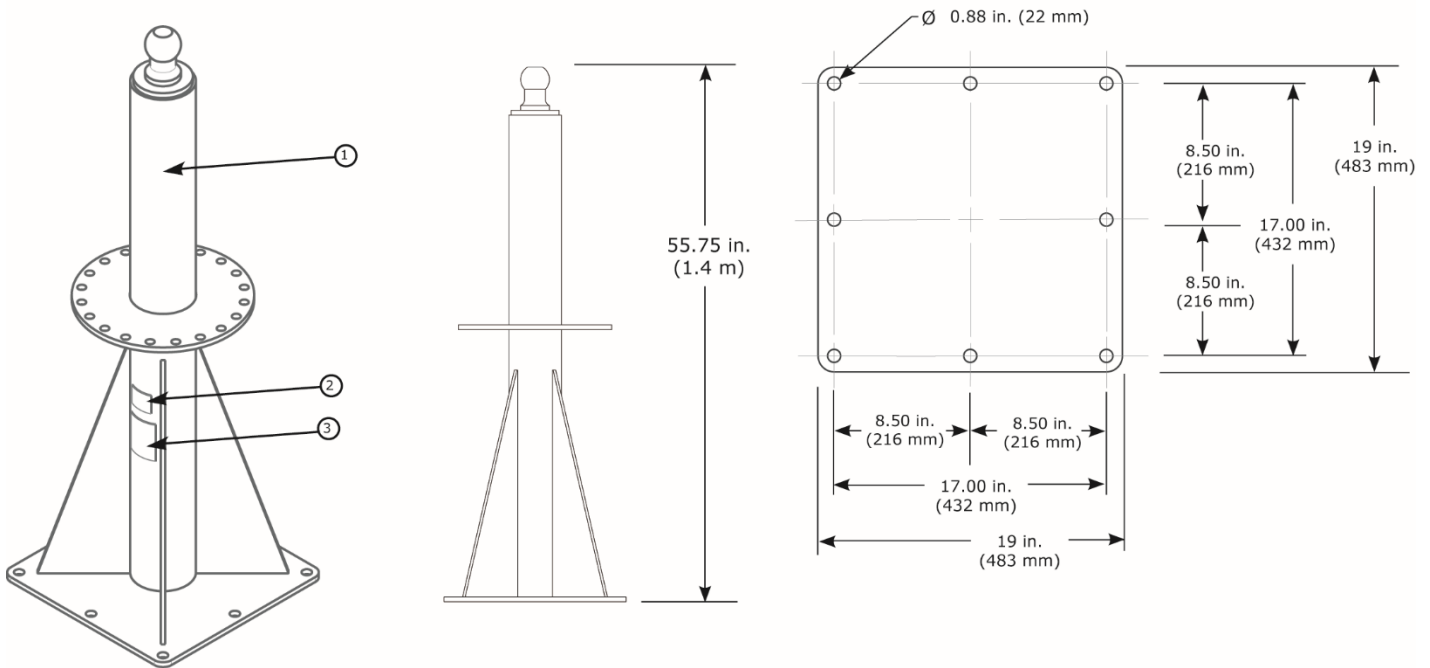
用途:

フロアマウントベースは、指定の構造物に固定され、3Mのモジュラージブシステムの取り付けポイントとして使用するための製品です。

本製品の設置に関する詳細は、取扱説明書を参照してください。

規格: CEN/TS 16415:2013 タイプ A, EN795:2012 タイプ A, OSHA 1910.140, OSHA 1926.502

	重量
8530888	265 lb. (120 kg)



部品リスト				
	部品番号	説明	素材	数量
1	8549921	ベース本体	鉄	1
2	9514429	IDラベル	ポリエステル	1
3	9515114	使用者ラベル	ポリエステル	1

取り付け要件		
最小固定部材引き抜き力	取り付け構造の最小モーメント荷重	取り付け構造の最小垂直荷重
9,386 lb. (4,257 kg)	501,633 in.-lb. (56,677 N-m)	3,320 lb. (1,506 kg) + ベース重量 + M200ジブブームの重量

M200用フラッシュマウントベース

テクニカルデータシート: 8530889, 8530920, 8530921



Fall Protection

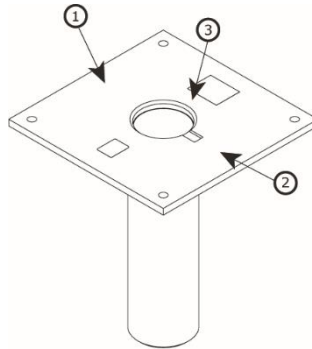
用途:

フラッシュマウントベースは、指定の構造物に固定され、3Mのモジュラー ジブシステムに取り付けポイントとして使用するための製品です。

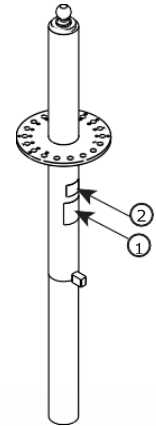
本製品の設置に関する詳細は、取扱説明書を参照してください。

規格: CEN/TS 16415:2013, EN795:2012 タイプ A, OSHA 1910.140, OSHA 1926.502

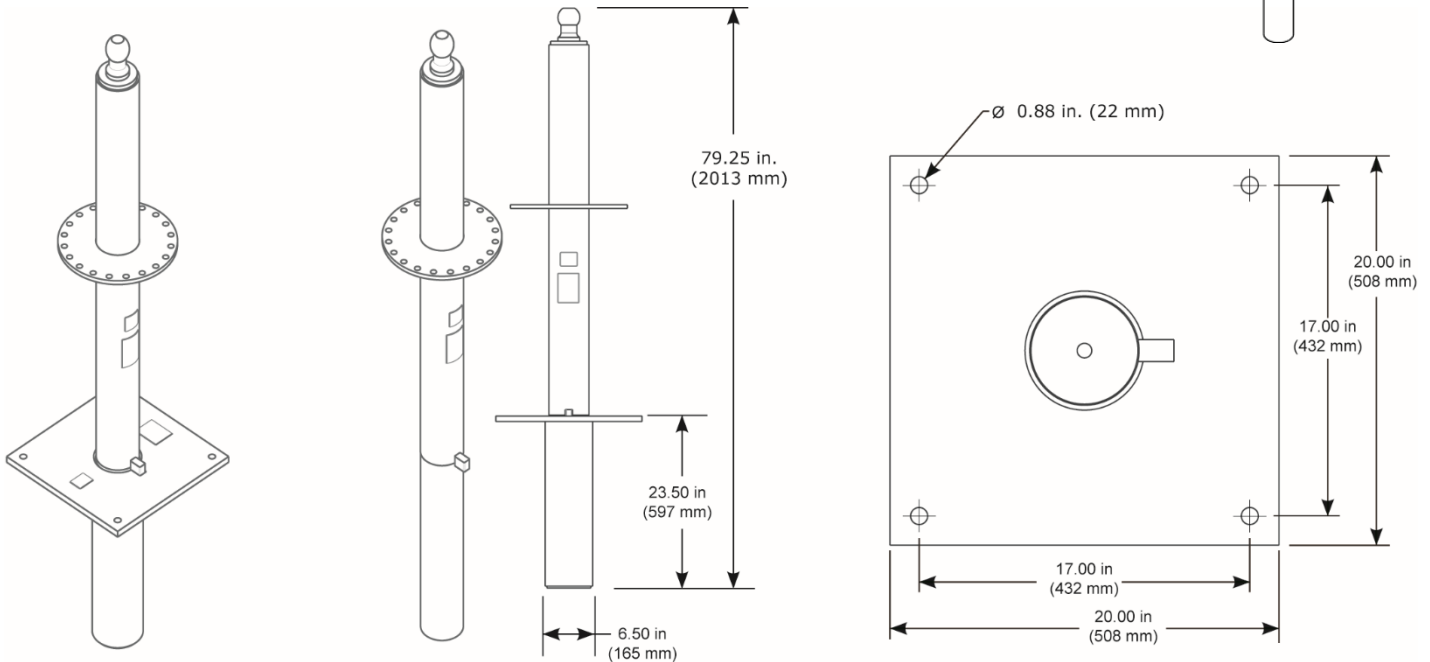
	重量
8530920	140 lb. (64 kg)



	重量
8530921	237 lb. (107 kg)



	重量
8530889	377 lb. (171 kg)

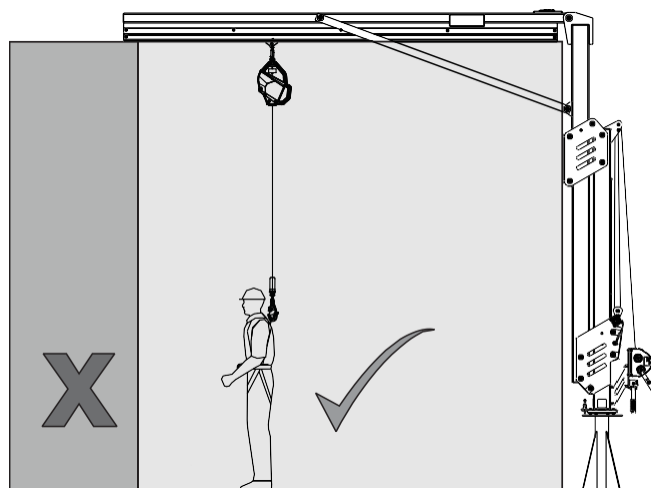
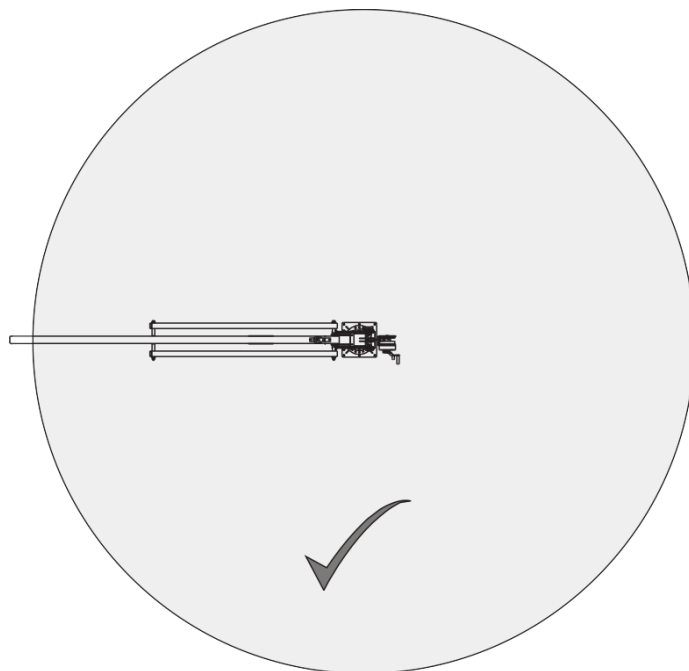


部品リスト				
	部品番号	説明	素材	数量
1	9515114	使用者ラベル	ポリエステル	1
2	9514429	IDラベル	ポリエステル	1
3	8550165	ベースキャップ	アルミニウム、ゴム	1

取り付け要件	
取り付け構造の最小モーメント 荷重	取り付け構造の最小垂直荷重
501,633 in-lb. (56,677 N-m)	3,320 lb. (1,506 kg) + ベース重量 + M200ジブブームの重量

用途:

本製品の作業区域については、以下の図を参照してください。



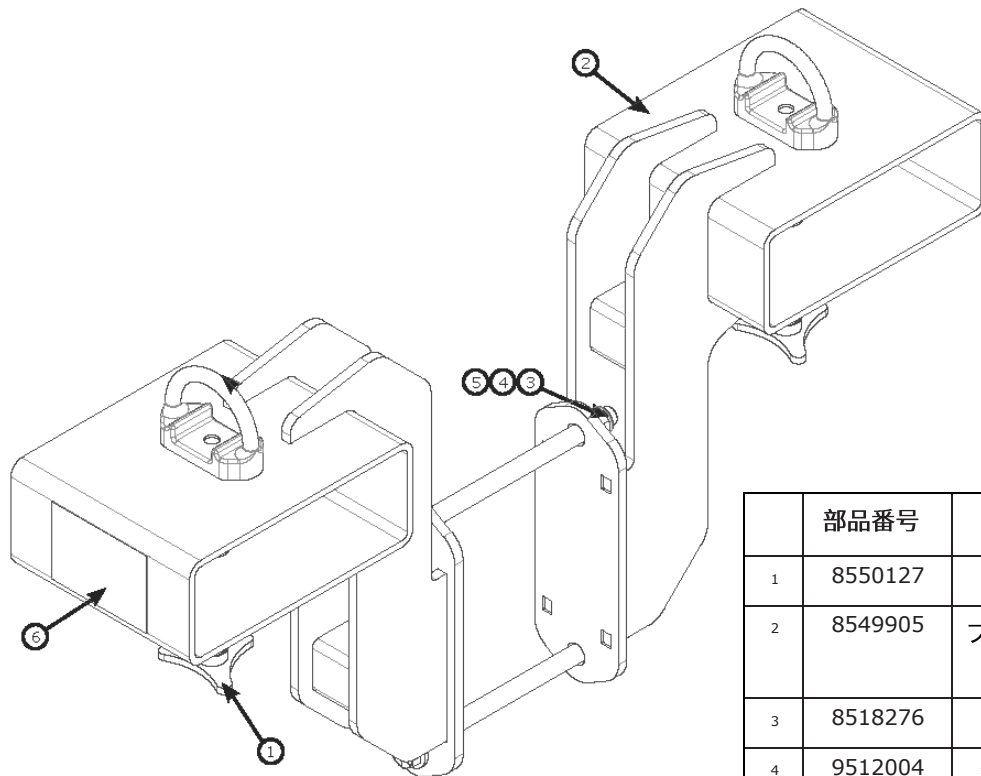
フォークポケットキット
 テクニカルデータシート: 8530912



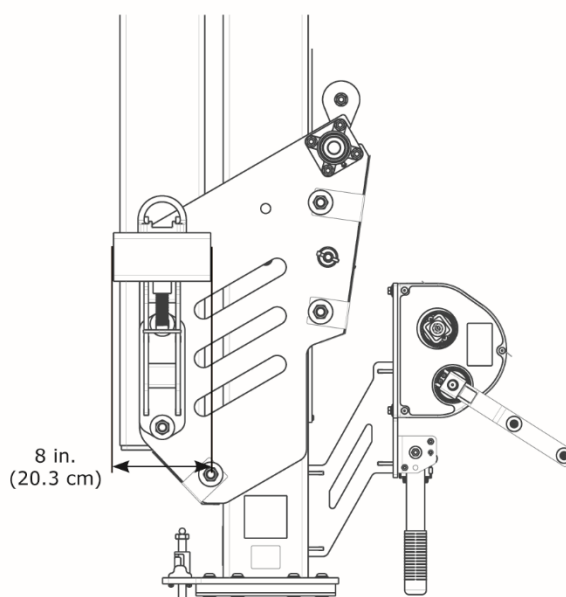
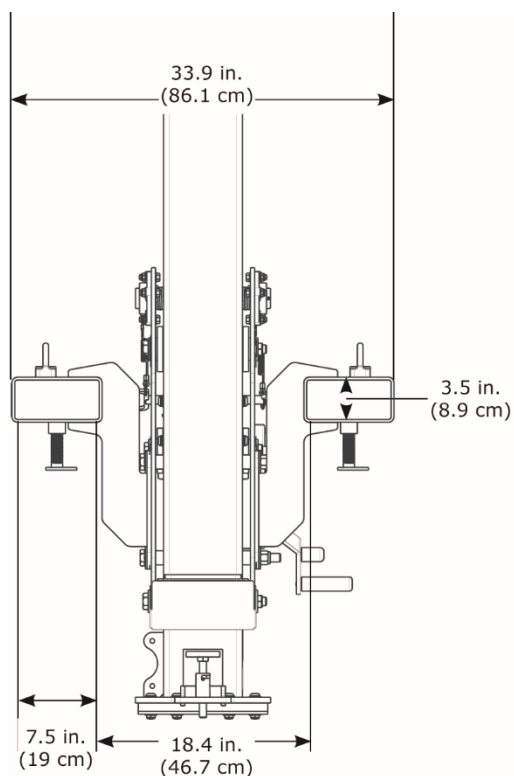
用途:

このフォークポケットキット製品は、ウィンチ操作型のダビット製品8530891-8530898を輸送するためのものです。

本製品の取り付けに関する詳細は、3Mの取扱説明書5908372を参照してください。



	部品番号	説明	数量
1	8550127	つば付き固定ネジ	2
2	8549905	フォークポケット溶接部品	2
3	8518276	3/4" 六角ナット	2
4	9512004	3/4" x 12" ボルト	2
5	M970033018	3/4" ワッシャー	4
6	9515122	使用者ラベル	1
	9500146	チェーンリンク	2
	8517096	チェーン	10 ft.



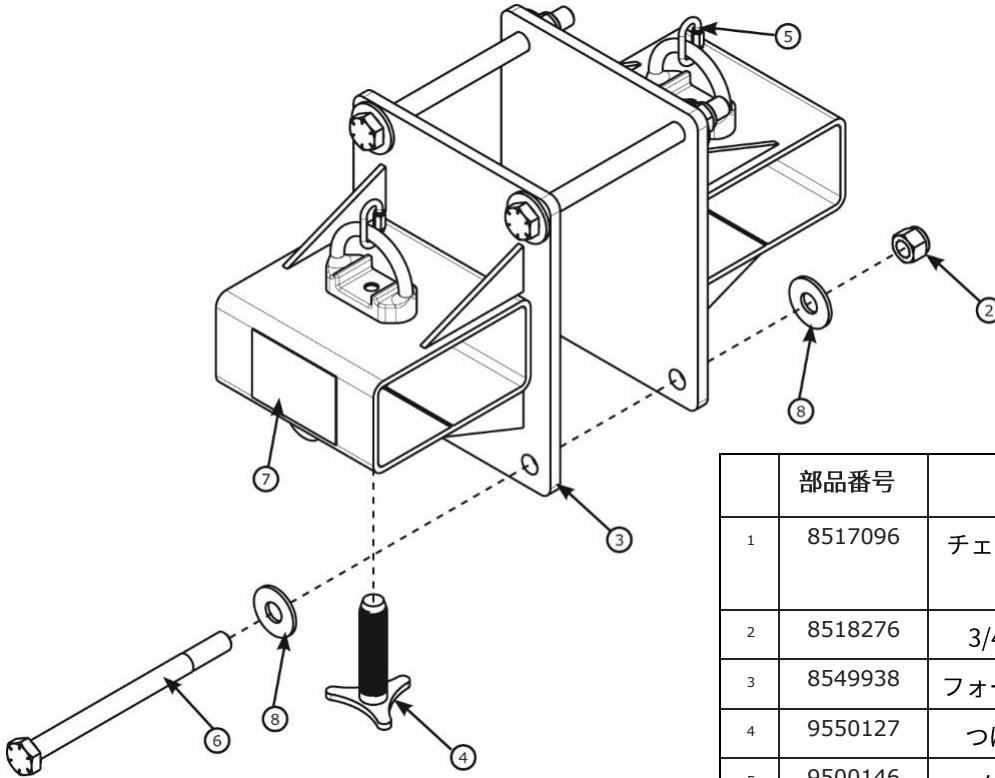
フォークポケットキット
 テクニカルデータシート: 8530925



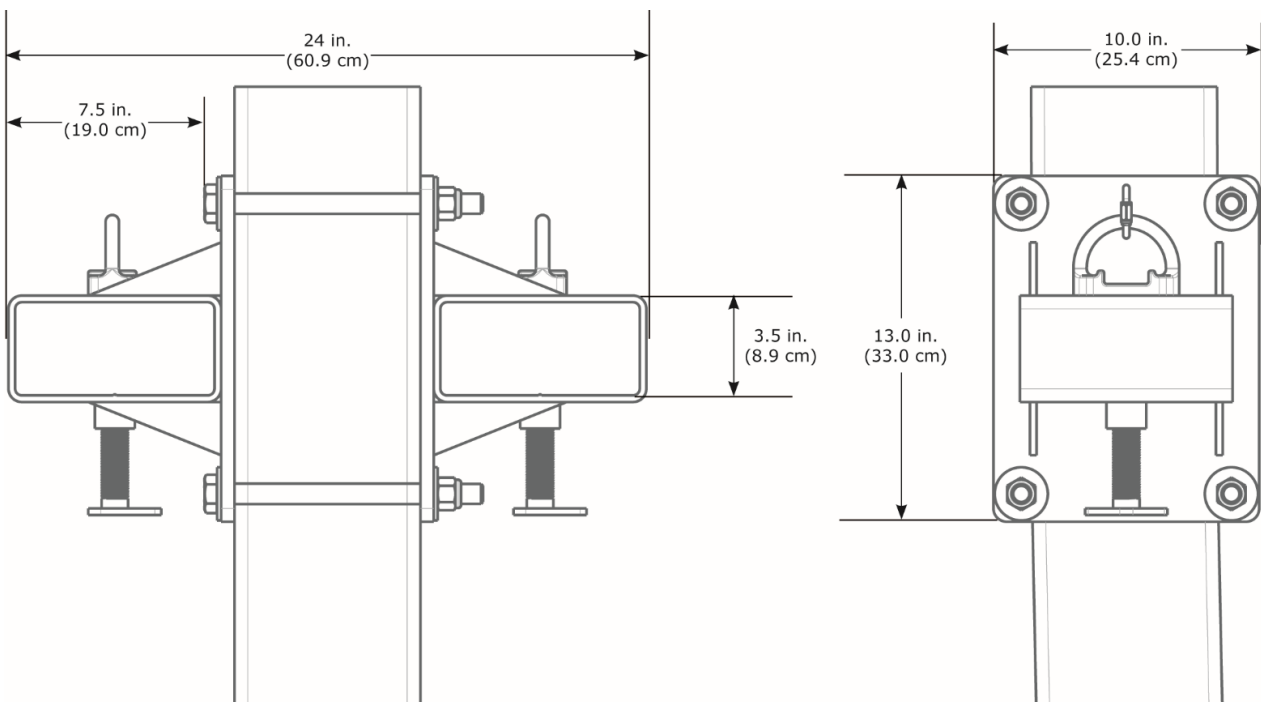
用途:

このフォークポケットキット製品は、ウィンチ操作型のダビット製品8530899-8530904を輸送するためのものです。

本製品の取り付けに関する詳細は、3Mの取扱説明書5908372を参照してください。



	部品番号	説明	数量
1	8517096	チェーン (表示されて いません)	10 ft.
2	8518276	3/4" 六角ナット	4
3	8549938	フォークポケット部品	2
4	9550127	つば付き固定ネジ	2
5	9500146	クイックリンク	2
6	9514294	3/4" 六角ボルト	4
7	9515573	警告ラベル	1
8	M970033018	3/4" ワッシャー	8



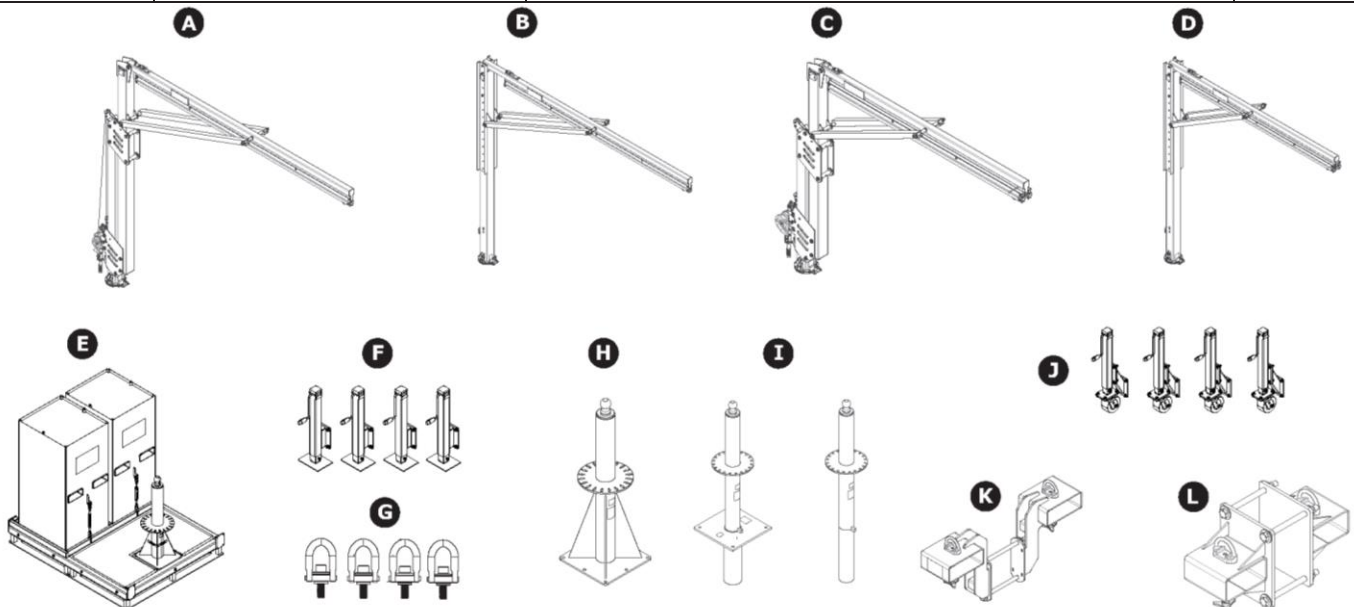


Fall Protection

3M™ DBI-SALA® M200 Davit sistemos

Techninių duomenų lapo paketas 5908526 Rev. D

Iškviatimas	Techninių duomenų lapas	Aprašymas	Puslapis
A	8530891	12,3 pėd. – 15 pėd. (3,8 m – 4,6 m) Reguliuojamas Davitas	308
	8530892	14,8 pėd. – 20 pėd. (4,5 m – 6,1 m) Reguliuojamas Davitas	308
	8530893	17,3 pėd. – 25 pėd. (5,3 m – 7,6 m) Reguliuojamas Davitas	308
	8530894	19,8 pėd. – 30 pėd. (6,1 m – 9,1 m) Reguliuojamas Davitas	308
B	8530899	15 pėd. – 20 pėd. (4,6 m – 6,1 m) Pusiau fiksuotas Davitas	310
	8530900	20 pėd. – 25 pėd. (6,1 m – 7,6 m) Pusiau fiksuotas Davitas	310
	8530901	25 pėd. – 30 pėd. (7,6 m – 9,1 m) Pusiau fiksuotas Davitas	310
C	8530895	12,3 pėd. – 15 pėd. (3,8 m – 4,6 m) Reguliuojamas Davitas	312
	8530896	14,8 pėd. – 20 pėd. (4,5 m – 6,1 m) Reguliuojamas Davitas	312
	8530897	17,3 pėd. – 25 pėd. (5,3 m – 7,6 m) Reguliuojamas Davitas	312
	8530898	19,8 pėd. – 30 pėd. (6,1 m – 9,1 m) Reguliuojamas Davitas	312
D	8530902	15 pėd. – 20 pėd. (4,6 m – 6,1 m) Pusiau fiksuotas Davitas	314
	8530903	20 pėd. – 25 pėd. (6,1 m – 7,6 m) Pusiau fiksuotas Davitas	314
	8530904	25 pėd. – 30 pėd. (7,6 m – 9,1 m) Pusiau fiksuotas Davitas	314
E	8530886	Neužpildyta atsvaros bazė	316
	8530887	Užpildyta atsvaros bazė	316
F	8530907	Atsvaros bazės domkratai	318
G	8530777	Atsvaros bazės kėlimo žiedai	318
H	8530888	Grindų tvirtinimo bazė	320
I	8530889, 8530920, 8530921	Įleidžiama tvirtinimo bazė	321
J	8530908	Atsvaros bazės ratai	318
K	8530912	Šakių kišenės komplektas	323
L	8530925	Šakių kišenės komplektas	324



Reguliuojamas Davitas

TECHNINIŲ DUOMENŲ LAPAS: 8530891–8530894

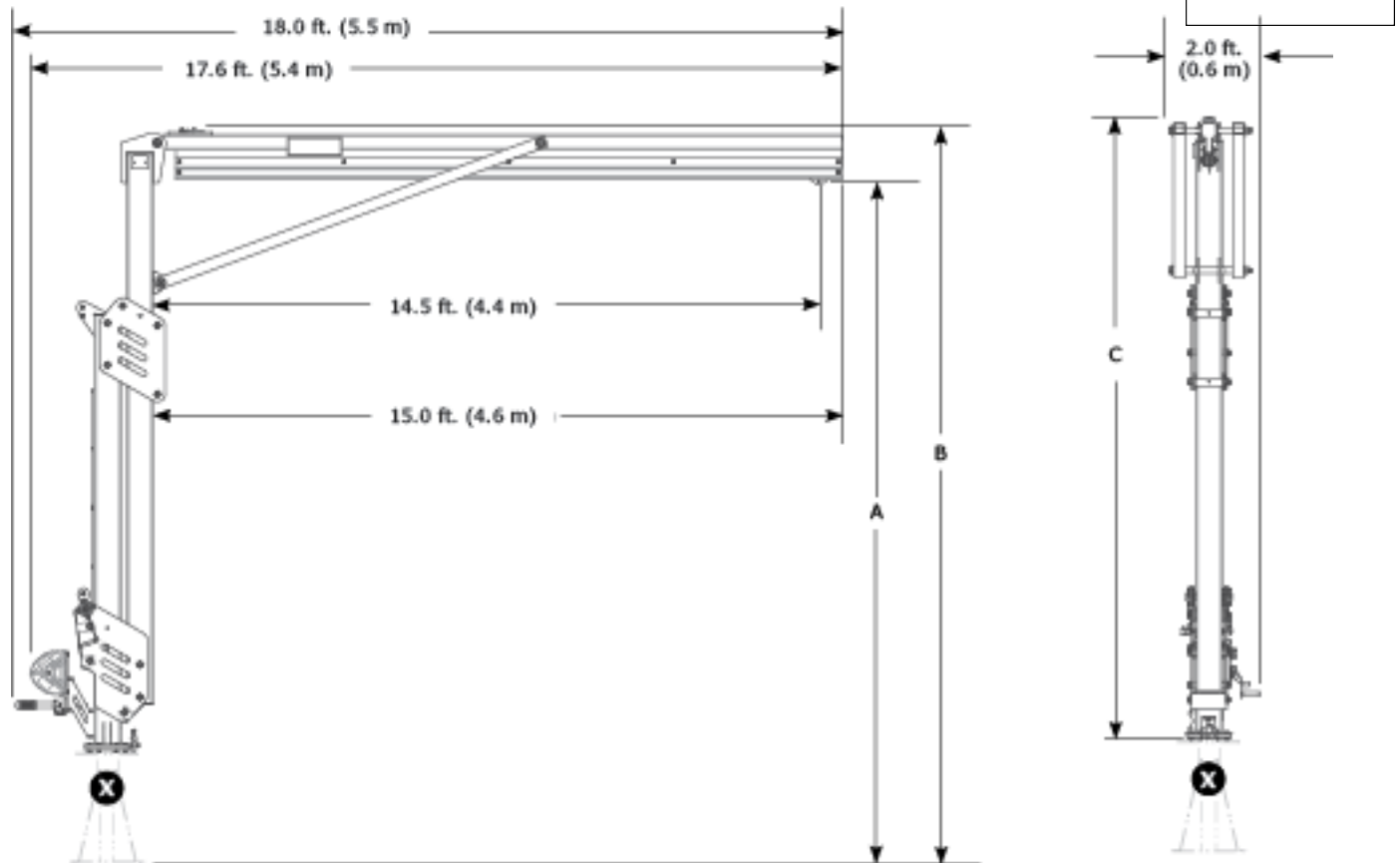


PANAUDOJIMAS:

Davitas yra sukurtas suteikti tvirtinimo taškus kritimo apsaugos sistemai.

Daugiau informacijos apie gaminio montavimą rasite naudotojo instrukcijose.

Standartai: EN795:2012 Tipas E, OSHA 1910.140, OSHA 1926.502



	A	B	C	lb. (kg)
8530891	12.3 ft. – 15.0 ft. (3.8 m – 4.6 m)	13.4 ft. – 16.1 ft. (4.1 m – 4.9 m)	9.8 ft. – 14.8 ft. (3.0 m – 4.5 ft.)	945 lb. (429 kg)
8530892	14.8 ft. – 20.0 ft. (4.5 m – 6.1 m)	15.9 ft. – 21.1 ft. (4.8 m – 6.4 m)	13.5 ft. – 18.7 ft. (4.1 m – 5.7 m)	1,057 lb. (479 kg)
8530893	17.3 ft. – 25.0 ft. (5.3 m – 7.6 m)	18.4 ft. – 26.1 ft. (5.6 m – 8.0 m)	16.0 – 23.7 ft. (4.9 m – 7.2 m)	1,169 lb. (530 kg)
8530894	19.8 ft. – 30.0 ft. (6.0 m – 9.1 m)	20.9 ft. – 31.1 ft. (6.4 m – 9.5 m)	18.5 ft. – 28.7 ft. (5.6 m – 8.7 m)	1,281 lb. (581 kg)

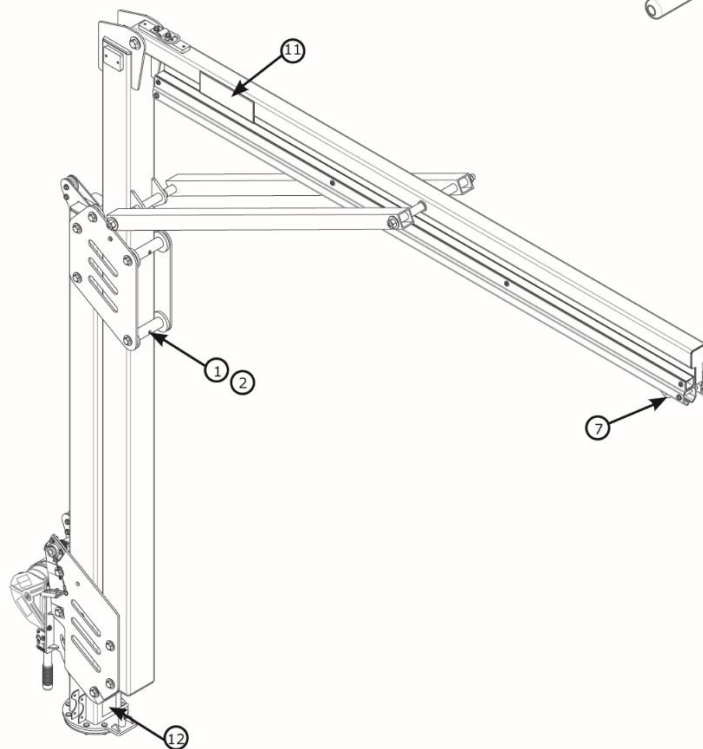
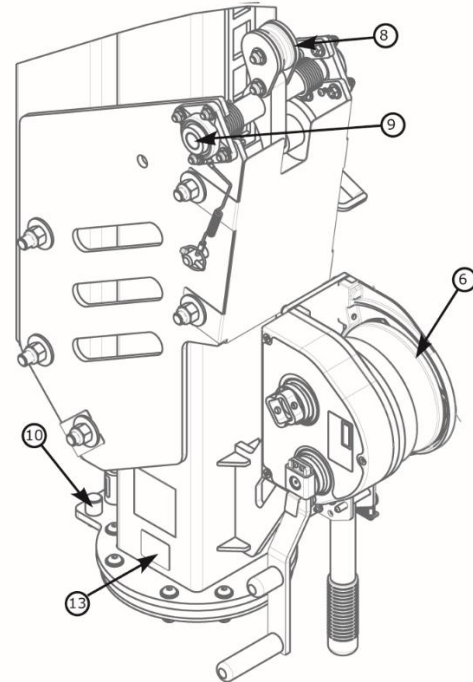
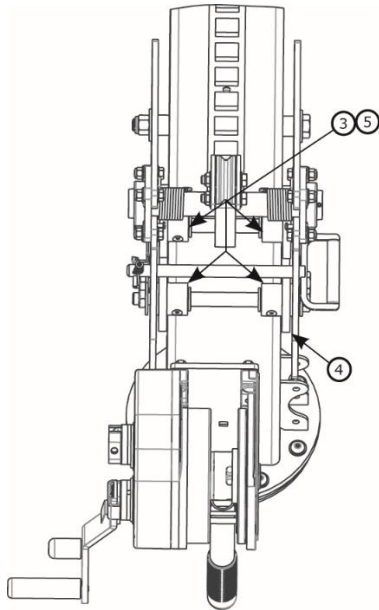
Reguliuojamo Davito Komponentai

TECHNINIŲ DUOMENŲ LAPAS: 8530891–8530894

3M

DBI SALA®

Fall Protection



Komponentų Sąrašas				
	Dalies Numeris	Aprašymas	Medžiaga	Kiekis
1	8550046	Platus volelis	Nailonas	3
2	8550047	Plataus volelio tarpiklis	304 nerūdijantis plienas	3
3	8550327	Siauras volelis	Nailonas	2
4	9514703	Šoninis volelis	Nailonas	8
5	8550213	Siauro volelio tarpiklis	304 nerūdijantis plienas	2
6	8549930	Gervė	Plienas	1
7	8521711	Vežimėlis	Plienas, nailonas	1

Komponentų Sąrašas				
	Dalies Numeris	Aprašymas	Medžiaga	Kiekis
8	8550223	Užrakinimo mechanizmas (tik įgaliotas remontas)	Plienas, nailonas	1
9	9515138	Guoliai	Plienas	2
10	8550398	Sukimosi stabdis	Aliuminis	2
11	9515111	3M etiketė	Poliesteris	2
12	9515101	Sukimosi etiketė	Poliesteris	1
13	9514429	ID etiketė	Poliesteris	1
14	9515112	Naudotojo etiketė	Poliesteris	1

Pusiau fiksuotas Davitas

TECHNINIŲ DUOMENŲ LAPAS: 8530899-8530901





PANAUDOJIMAS:

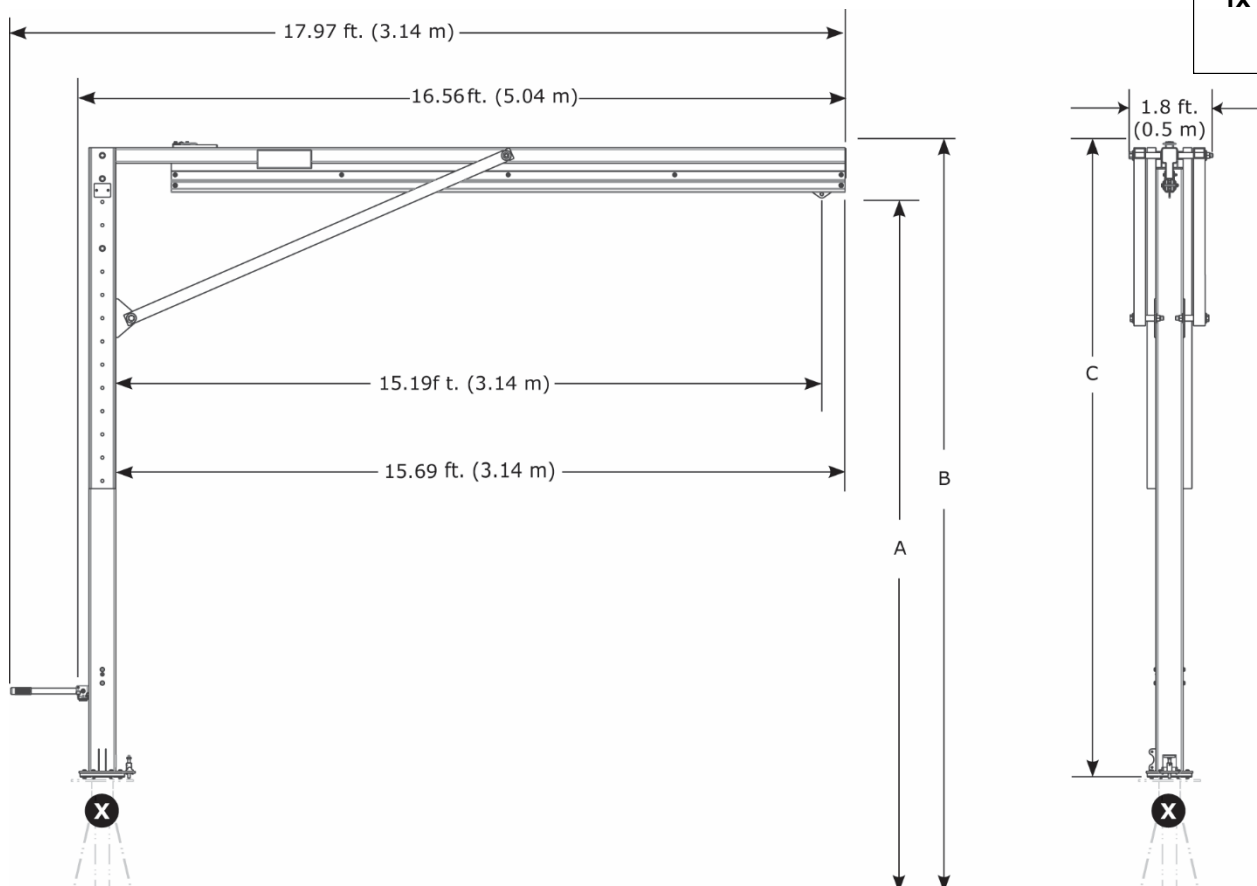
Davitas yra sukurtas suteikti tvirtinimo taškus kritimo apsaugos sistemai.

Daugiau informacijos apie gaminio montavimą rasite naudotojo instrukcijose.

Standartai: EN795:2012 Tipas E, OSHA 1910.140, OSHA 1926.502

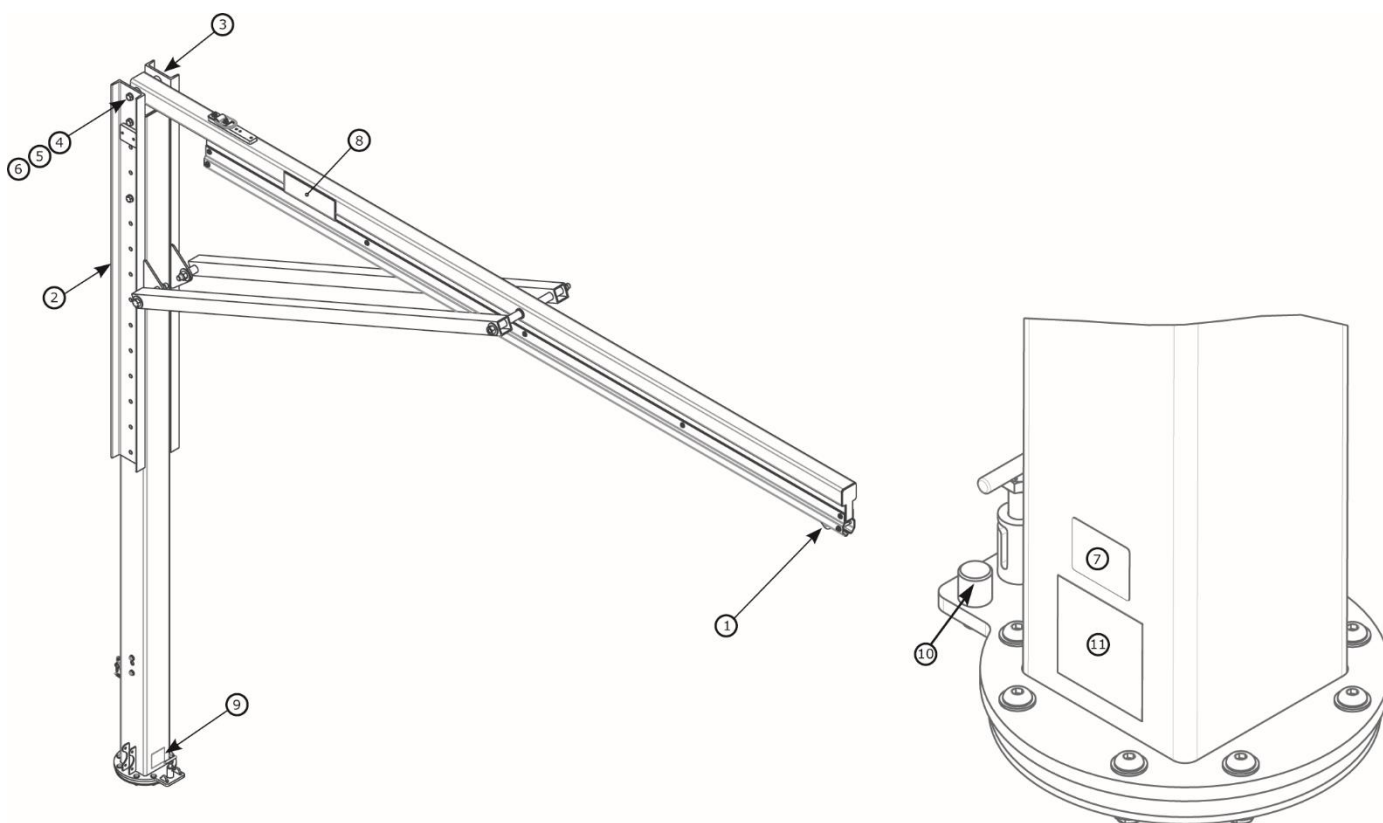
 ≤ 1350 lb.
(6 kN)

 1x ≤ 310 lb.
(140 kg)



	A	B	C	lb. (kg)
8530899	15.0 ft. – 20.0 ft. (4.6 m – 6.1 m)	16.1 ft. – 21.1 ft. (4.9 m – 6.4 m)	13.7 ft. – 18.7 ft. (4.2 m – 5.7 m)	818 lb. (371 kg)
8530900	20.0 ft. – 25.0 ft. (6.1 m – 7.6 m)	21.1 ft. – 26.1 ft. (6.4 m – 7.9 m)	18.7 ft. – 23.7 ft. (5.7 m – 7.2 m)	930 lb. (422 kg)
8530901	25.0 ft. – 30.0 ft. (7.6 m – 9.1 m)	26.1 ft. – 31.1 ft. (7.9 m – 9.6 m)	23.7 ft. – 28.7 ft. (7.2 m – 8.7 m)	1,041 lb. (472 kg)
+6" (152 mm) reguliavimo žingsniai				

Pusiau fiksuoto Davito Komponentai
TECHNINIŲ DUOMENŲ LAPAS: 8530899-8530901



	Dalies Numeris	Aprašymas	Medžiaga	Kiekis
1	8521711	Vežimėlis	Nerūdijantis plienas, plienas, nailonas	1
2	8549933	Gelbėjimo tvirtinimo kanalas	Plienas	1
3	8550248	Kanalas	Plienas	1
4	8526654	3/4" x 9" varžtas	Plienas	2
5	8522275	3/4" poveržlė	Plienas	4
6	8518276	3/4" veržlė	Plienas	2
7	9514429	ID etiketė	Poliesteris	1

	Dalies Numeris	Aprašymas	Medžiaga	Kiekis
8	9515111	3M etiketė	Poliesteris	2
9	9515101	Sukimosi etiketė	Poliesteris	1
10	8550398	Sukimosi stabdis	Aliuminis	2
11	9515112	Naudotojo etiketė	Poliesteris	1

Adjustable Davit

TECHNINIŲ DUOMENŲ LAPAS: 8530895–8530898




Fall Protection


PANAUDOJIMAS:

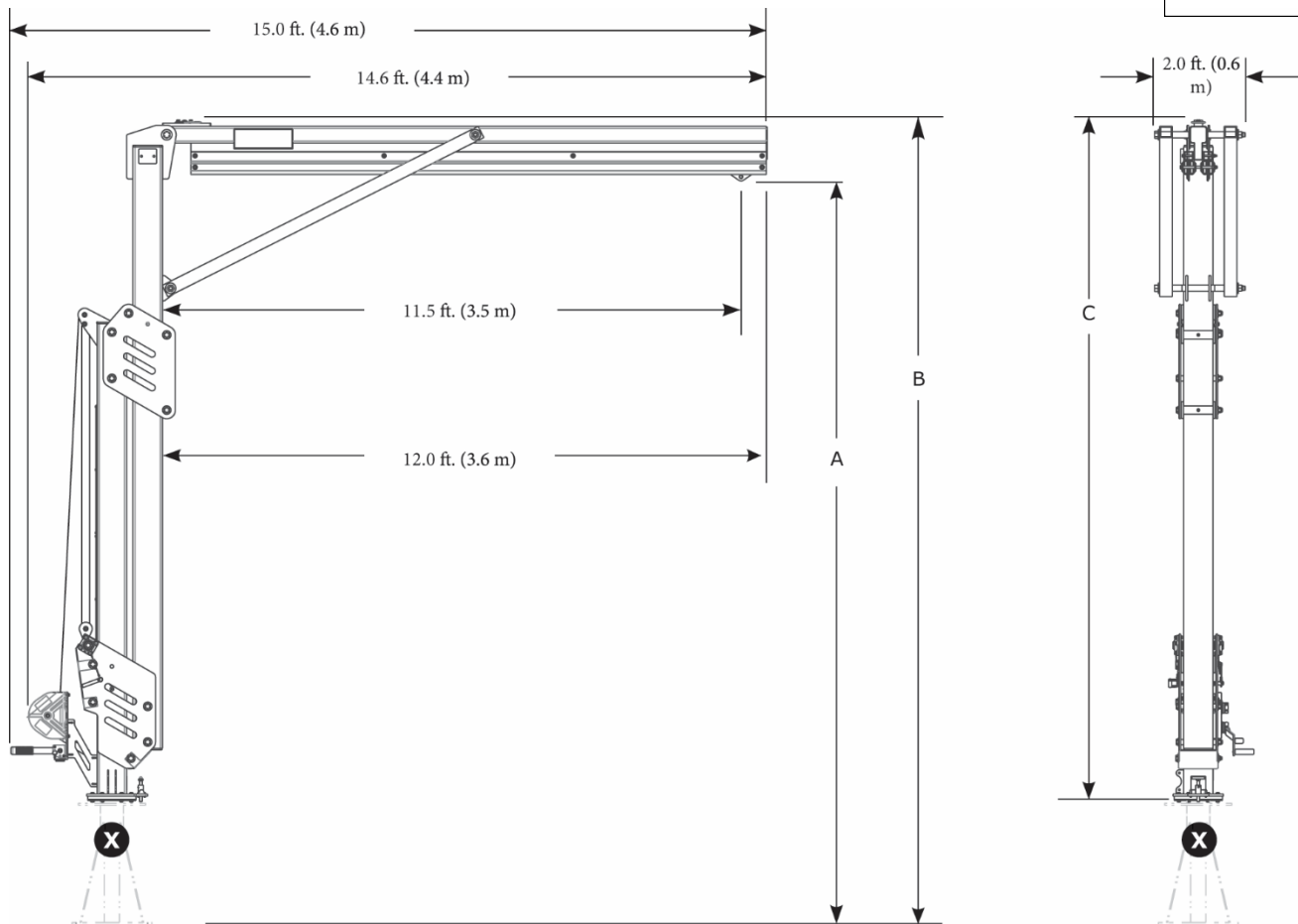
Davitas yra sukurtas suteikti tvirtinimo taškus kritimo apsaugos sistemai.

Daugiau informacijos apie gaminio montavimą rasite naudotojo instrukcijose.

Standartai: CEN/TS 16415:2013 Tipas E, EN795:2012 Tipas E, OSHA 1910.140, OSHA 1926.502


 ≤ 1350 lb.
(6 kN)

2x 
 ≤ 310 lb.
(140 kg)



	A	B	C	lb. (kg)
8530895	12.3 ft. – 15.0 ft. (3.8 m – 4.6 m)	13.4 ft. – 16.1 ft. (4.1 m – 4.9 m)	11.0 ft. – 13.7 ft. (3.4 m – 4.2 ft.)	1,011 lb. (459 kg)
8530896	14.8 ft. – 20.0 ft. (4.5 m – 6.1 m)	15.9 ft. – 21.1 ft. (4.8 m – 6.4 m)	13.5 ft. – 18.7 ft. (4.1 m – 5.7 m)	1,123 lb. (509 kg)
8530897	17.3 ft. – 25.0 ft. (5.3 m – 7.6 m)	18.4 ft. – 26.1 ft. (5.6 m – 8.0 m)	16.0 – 23.7 ft. (4.9 m – 7.2 m)	1,235 lb. (560 kg)
8530898	19.8 ft. – 30.0 ft. (6.0 m – 9.1 m)	20.9 ft. – 31.1 ft. (6.4 m – 9.5 m)	18.5 ft. – 28.7 ft. (5.6 m – 8.7 m)	1,343 lb. (609 kg)

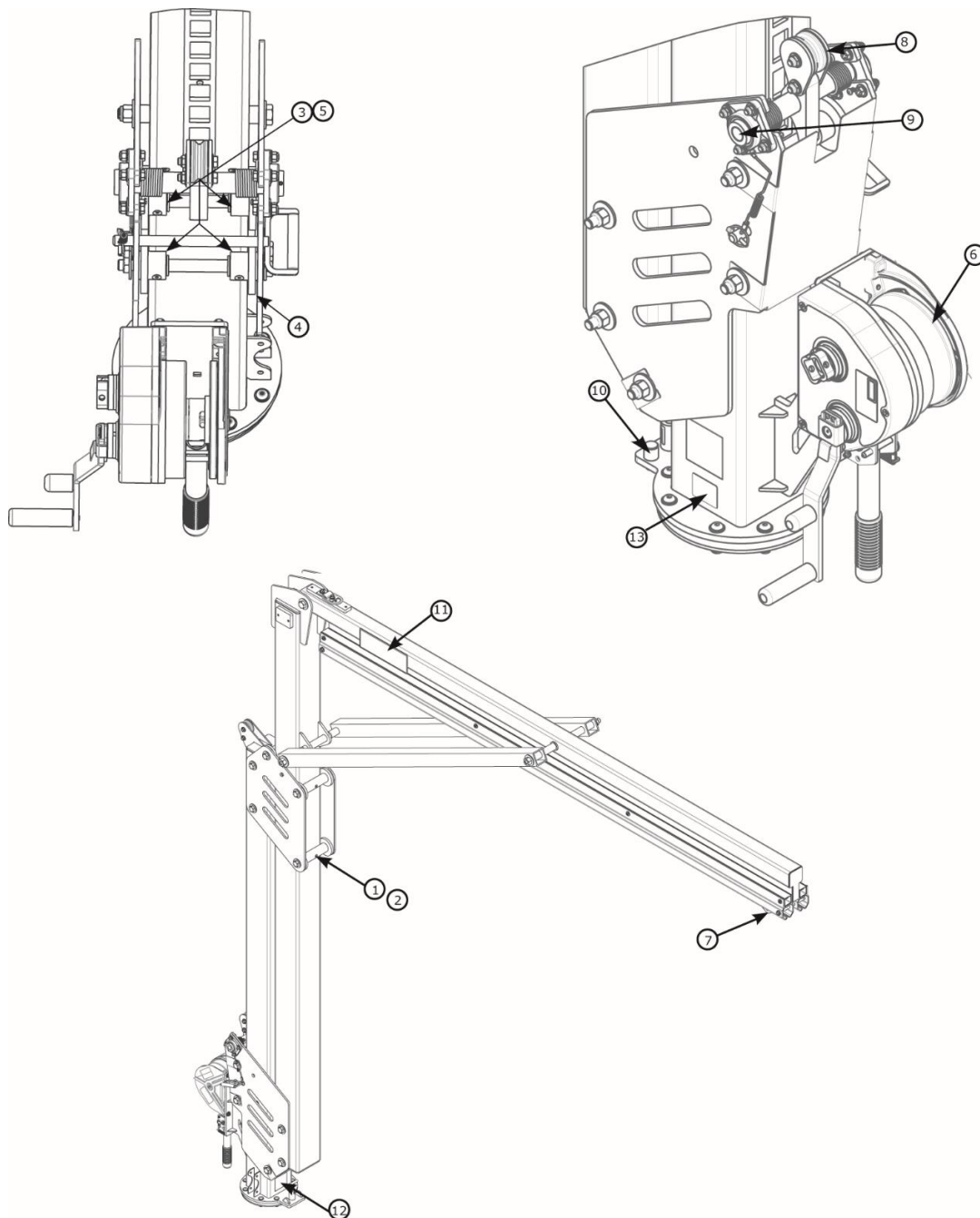
Adjustable Davit Components

TECHNINIŲ DUOMENŲ LAPAS: 8530895–8530898

3M

DBI
SALA

Fall Protection



Komponentų Sąrašas				
	Dalies Numeris	Aprašymas	Medžiaga	Kiekis
1	8550046	Platus volelis	Nailonas	3
2	8550047	Plataus volelio tarpiklis	304 nerūdijantis plienas	3
3	8550327	Siauras volelis	Nailonas	2
4	9514703	Šoninis volelis	Nailonas	8
5	8550213	Siauro volelio tarpiklis	304 nerūdijantis plienas	2
6	8549930	Gervė	Plienas	1
7	8521711	Vežimėlis	Plienas, nailonas	1

Komponentų Sąrašas				
	Dalies Numeris	Aprašymas	Medžiaga	Kiekis
8	8550223	Užrakinimo mechanizmas (tik įgaliotas remontas)	Plienas, nailonas	1
9	9515138	Guoliai	Plienas	2
10	8550398	Sukimosi stabdis	Aliuminis	2
11	9515111	3M etiketė	Poliesteris	2
12	9515101	Sukimosi etiketė	Poliesteris	1
13	9514429	ID etiketė	Poliesteris	1
14	9515112	Naudotojo etiketė	Poliesteris	1

Pusiau fiksuotas Davitas
TECHNINIŲ DUOMENŲ LAPAS: 8530902–8530904





PANAUDOJIMAS:

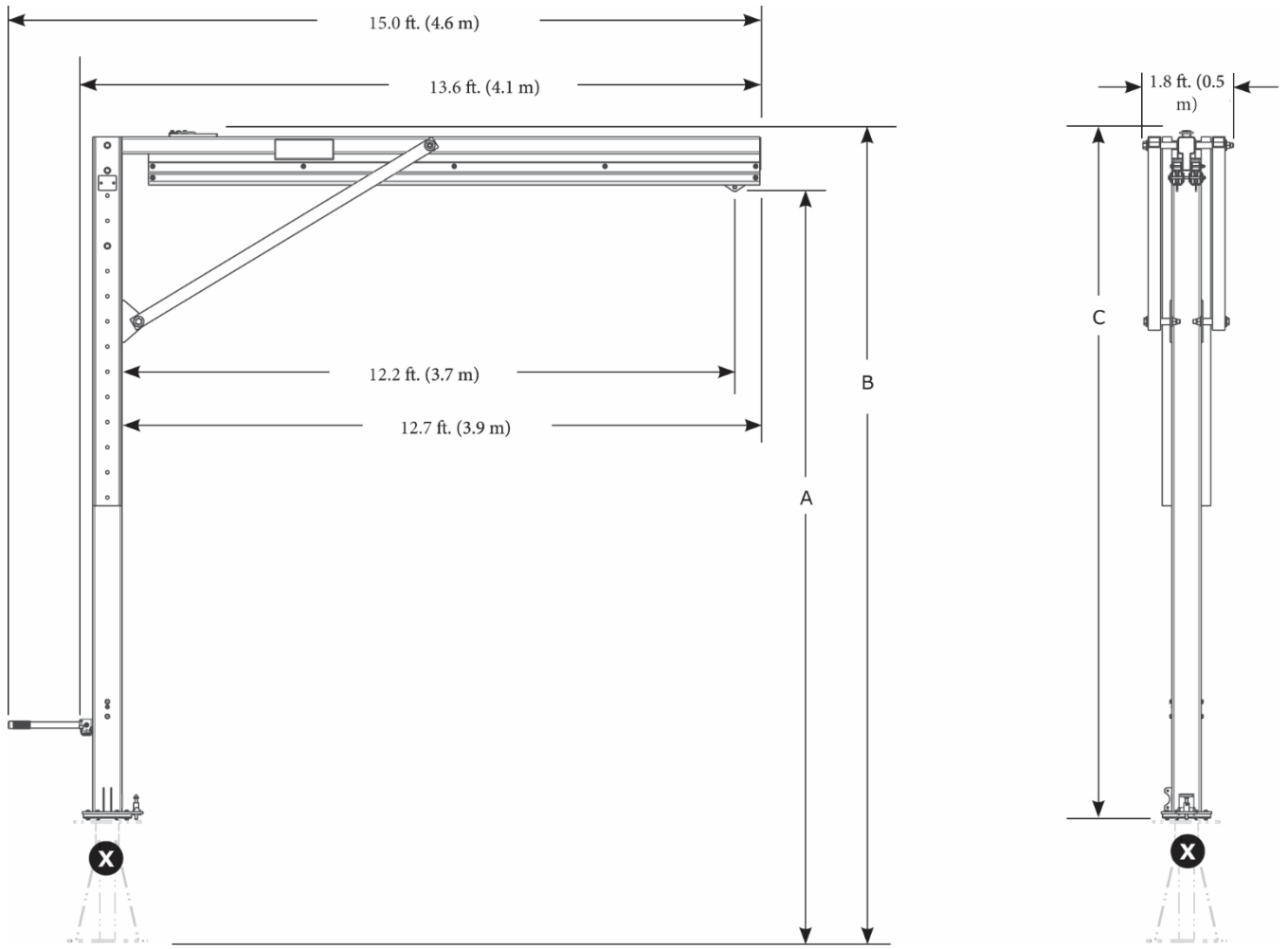
Davitas yra sukurtas suteikti tvirtinimo taškus kritimo apsaugos sistemai.

Daugiau informacijos apie gaminio montavimą rasite naudotojo instrukcijose.

Standartai: CEN/TS 16415:2013 Tipas E, EN795:2012 Tipas E, OSHA 1910.140, OSHA 1926.502

 ≤ 1350 lb.
(6 kN)

 2x  ≤ 310 lb.
(140 kg)

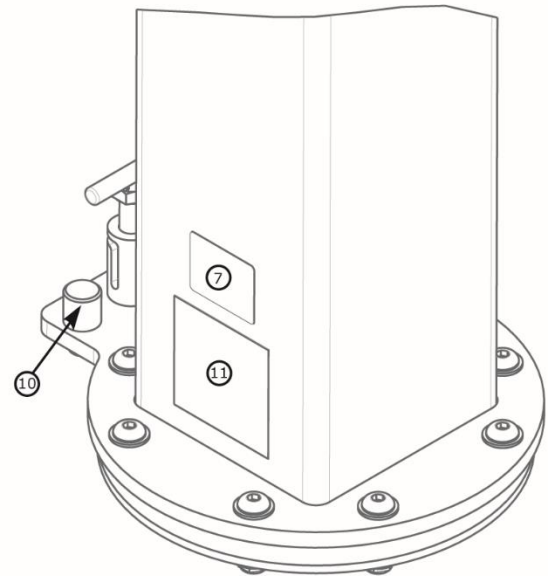
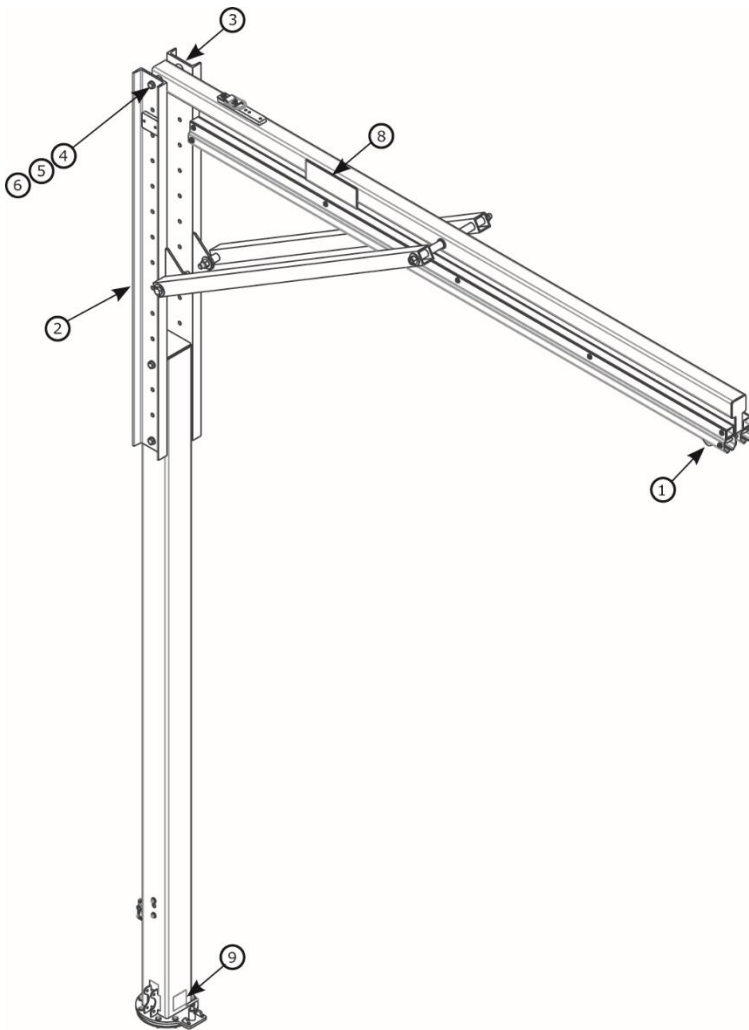


	A	B	C	lb. (kg)
8530902	15.0 ft. – 20.0 ft. (4.6 m – 6.1 m)	16.1 ft. – 21.1 ft. (4.9 m – 6.4 m)	13.7 ft. – 18.7 ft. (4.2 m – 5.7 m)	850 lb. (386 kg)
8530903	20.0 ft. – 25.0 ft. (6.1 m – 7.6 m)	21.1 ft. – 26.1 ft. (6.4 m – 7.9 m)	18.7 ft. – 23.7 ft. (5.7 m – 7.2 m)	961 lb. (436 kg)
8530904	25.0 ft. – 30.0 ft. (7.6 m – 9.1 m)	26.1 ft. – 31.1 ft. (7.9 m – 9.6 m)	23.7 ft. – 28.7 ft. (7.2 m – 8.7 m)	1,073 lb. (487 kg)

Pusiau fiksuoto Davito Komponentai
TECHNINIŲ DUOMENŲ LAPAS: 8530902-8530904

3M

DBI
SALA
 Fall Protection



	Dalies Numeris	Aprašymas	Medžiaga	Kiekis
1	8521711	Vežimėlis	Nerūdijantis plienas, plienas, nailonas	1
2	8549933	Gelbėjimo tvirtinimo kanalas	Plienas	1
3	8550248	Kanalas	Plienas	1
4	8526654	3/4" x 9" varžtas	Plienas	2
5	8522275	3/4" poveržlė	Plienas	4
6	8518276	3/4" veržlė	Plienas	2
7	9514429	ID etiketė	Poliesteris	1

	Dalies Numeris	Aprašymas	Medžiaga	Kiekis
8	9515111	3M etiketė	Poliesteris	2
9	9515101	Sukimosi etiketė	Poliesteris	1
10	8550398	Sukimosi stabdis	Aliuminis	2
11	9515112	Naudotojo etiketė	Poliesteris	1

M200 Atsvaros Bazė

TECHNINIŲ DUOMENŲ LAPAS: 8530886, 8530887



PANAUDOJIMAS:

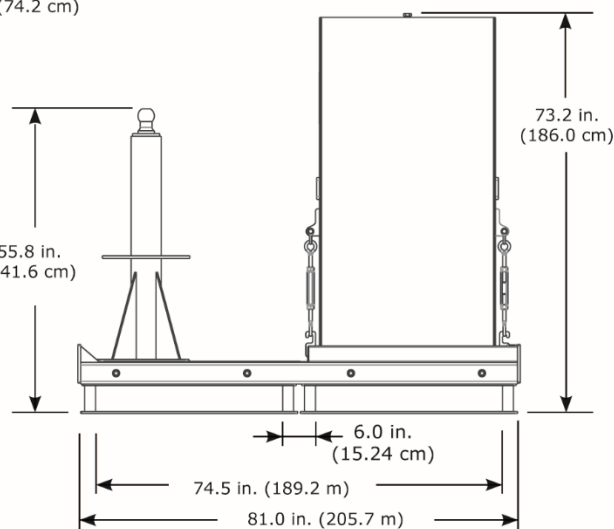
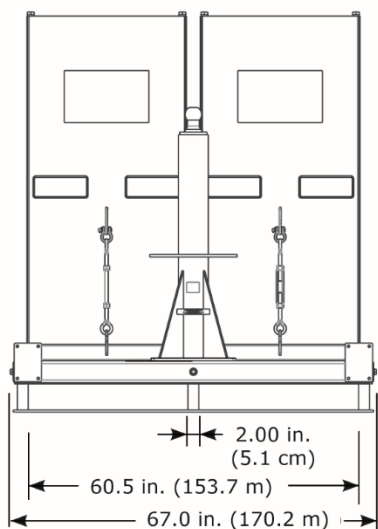
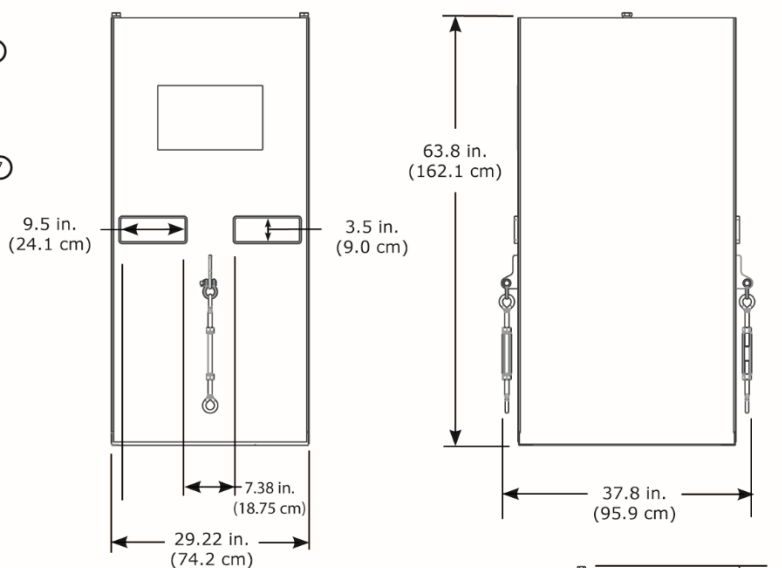
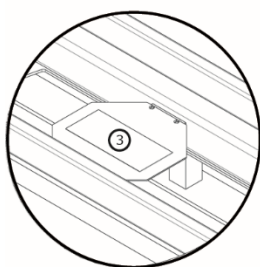
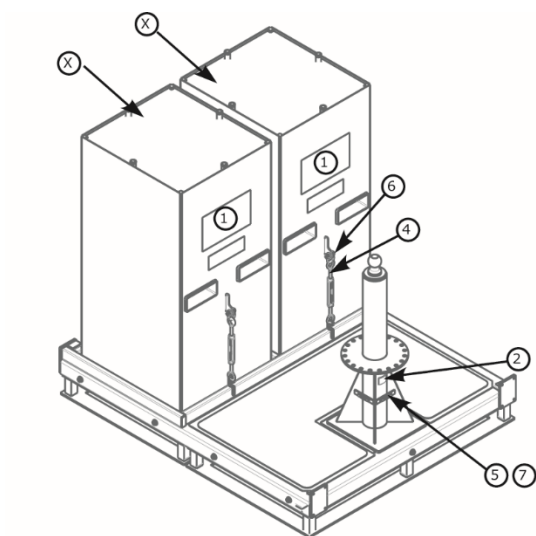
Davito bazė yra sukurta naudoti kaip tvirtinimo taškas davito sistemai.

Daugiau informacijos apie gaminio montavimą rasite naudotojo instrukcijoje.

Standartai: CEN/TS 16415:2013 Tipas E, EN795:2012 Tipas E, OSHA 1910.140, OSHA 1926.502

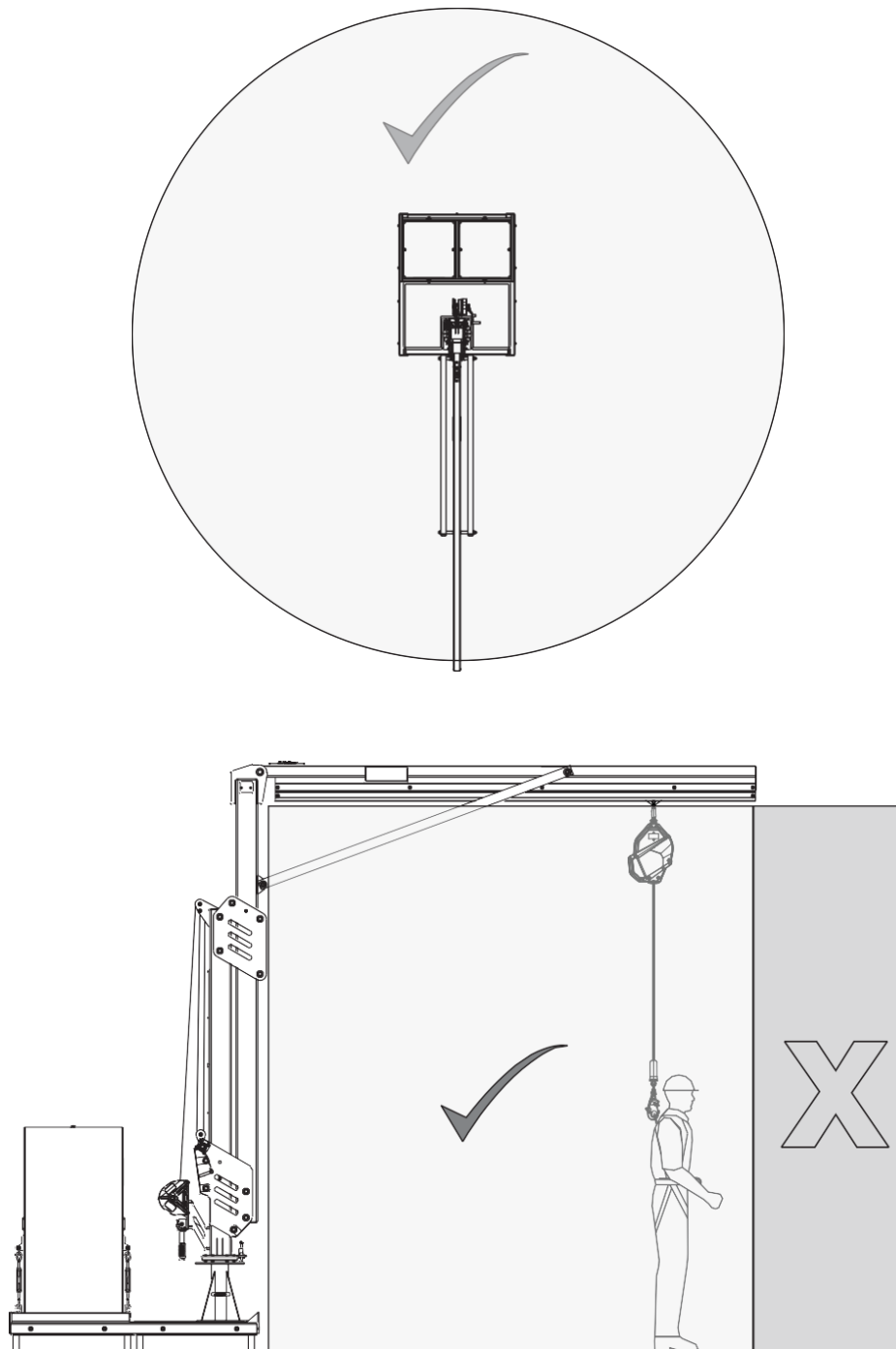
	X 4,000 psi (30 MPa)	Atraminės Struktūros Reikalavimai	Svoris
8530886		14,645 lb. (6,643 kg)	2,407 lb. (1,092 kg)
8530887	✓	+ M200 Strėlės Sijos Svoris	11,325 lb. (5,137 kg)

Komponentų Sąrašas				
	Dalies Numeris	Aprašymas	Medžiaga	Kiekis
1	9515107	Naudotojo etiketė	Poliesteris	1
2	9514429	ID etiketė	Poliesteris	1
3	9515106	Įspėjamoji etiketė	Poliesteris	1
4	8520575	Sraigtas	Plienas	2
5	9513627	Gervė	Plienas	4
6	9501794	Šarnyras	Plienas	2
7	9515058	Lygio burbulas	Plastikas	2
8	9515566	Įspėjamoji etiketė	Poliesteris	4



PANAUDOJIMAS:

Žiūrėkite žemiau esantį diagramą, kad sužinotumėte gaminio darbo sritį.



M200 Atsvaros Bazės Priedai

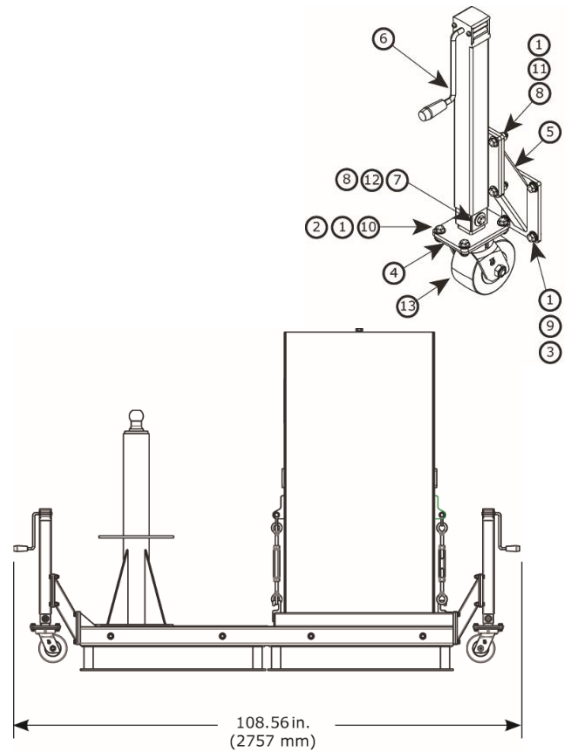
TECHNINIŲ DUOMENŲ LAPAS: 8530907, 8530908, 8530777



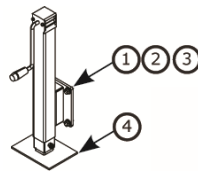
Fall Protection

Komponentų Sąrašas

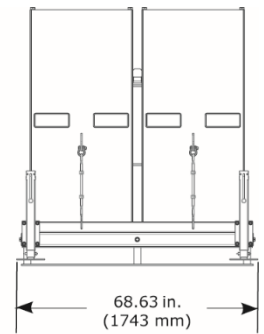
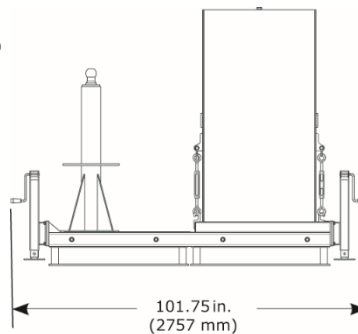
	Dalies Numeris	Aprašymas	Medžiaga	Kiekis
1	8510037	1/2" poveržlė	Plienas	80
2	8512460	1/2" x 1 1/4" varžtas	Plienas	16
3	8518432	1/2" x 1" varžtas	Plienas	16
4	8550153	Ratuko suvirinimas	Plienas	4
5	8550155	Kampinis suvirinimas	Plienas	4
6	8550156	Montuojamas suvirinimas	Plienas	4
7	9501243	1/2" poveržlė	Plienas	8
8	9501831	1/2" šešiakampė veržlė	Plienas	20
9	9504221	1/2" poveržlė	Plienas	16
10	9504813	1/2" šešiakampė veržlė	Plienas	16
11	9509276	1/2" x 1 3/4" varžtas	Plienas	16
12	9510153	1/2" x 3 1/4" varžtas	Plienas	4
13	9515081	Ratukas	Plienas, Uretanas	4



	8530907	8530908	8530777
Svoris	108 lb. (49 kg)	152 lb. (69 kg)	12 lb. (5.4 kg)

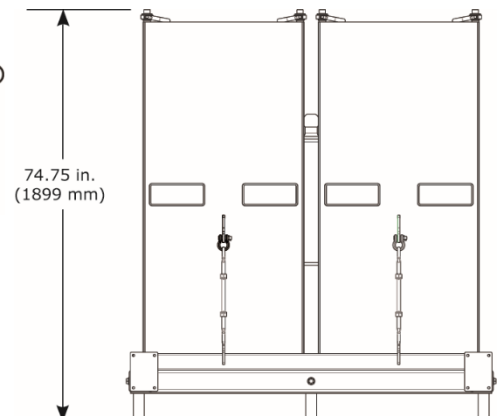
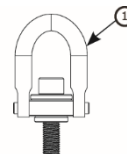


	Dalies Numeris	Aprašymas	Medžiaga	Kiekis
1	9504221	1/2" fiksuojanti poveržlė	Plienas	16
2	8510037	1/2" poveržlė	Plienas	16
3	8518432	1/2" x 1" varžtas	Plienas	16
4	8550177	Ratuko suvirinimas	Plienas	4




Komponentų Sąrašas


	Dalies Numeris	Aprašymas	Medžiaga	Kiekis
1	9512574	Kėlimo žiedas	Plienas	4

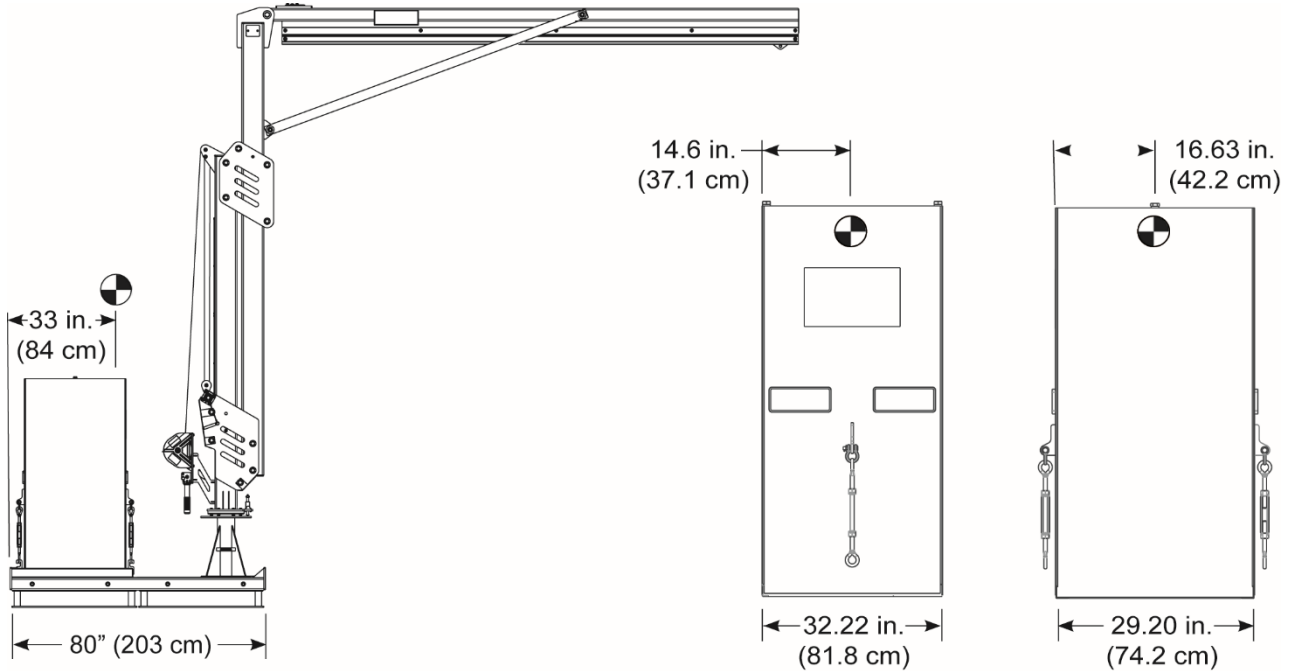



M200 Atsvaros Bazės Sunkio Centras
TECHNINIŲ DUOMENŲ LAPAS: 8530886, 8530887




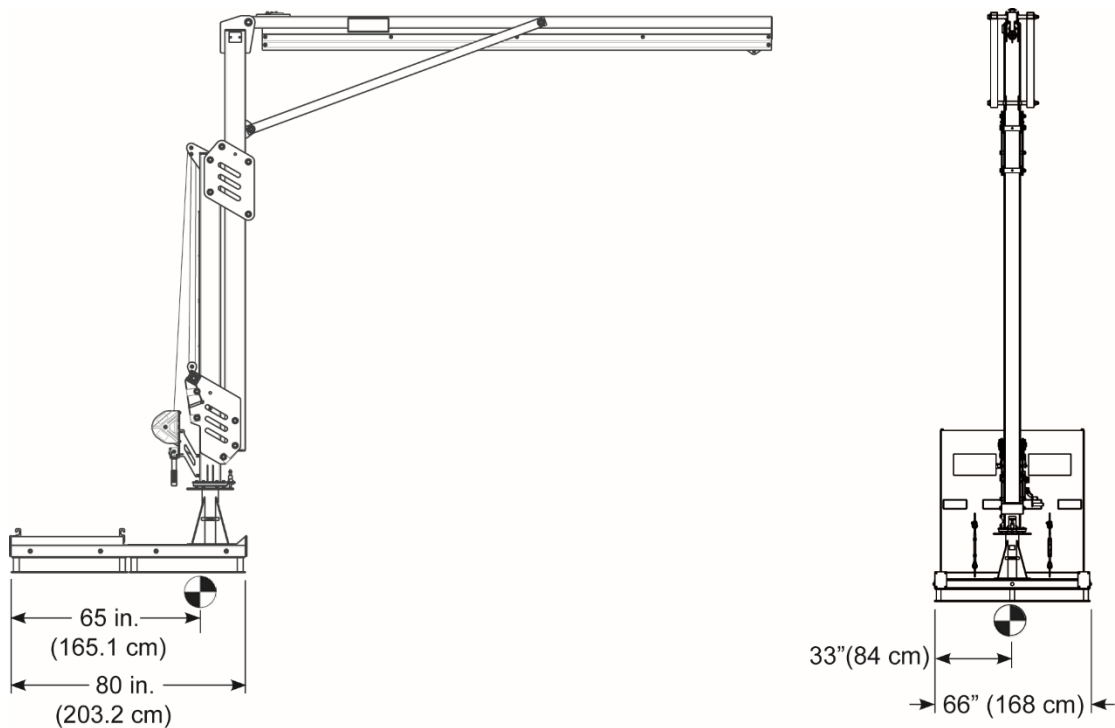
8530887	8530898
 .lb (kg)	12,668 lbs. (5,746 kg)

 .lb (kg)	5,000 lbs. (2,268 kg)
--	--------------------------



8530887	8530898
 .lb (kg)	2,668 lbs. (1,210 kg)

8530887	8530898
 .lb (kg)	12,668 lbs. (5,746 kg)



M200 Grindų Tvirtinimo Bazė

TECHNINIŲ DUOMENŲ LAPAS: 8530888



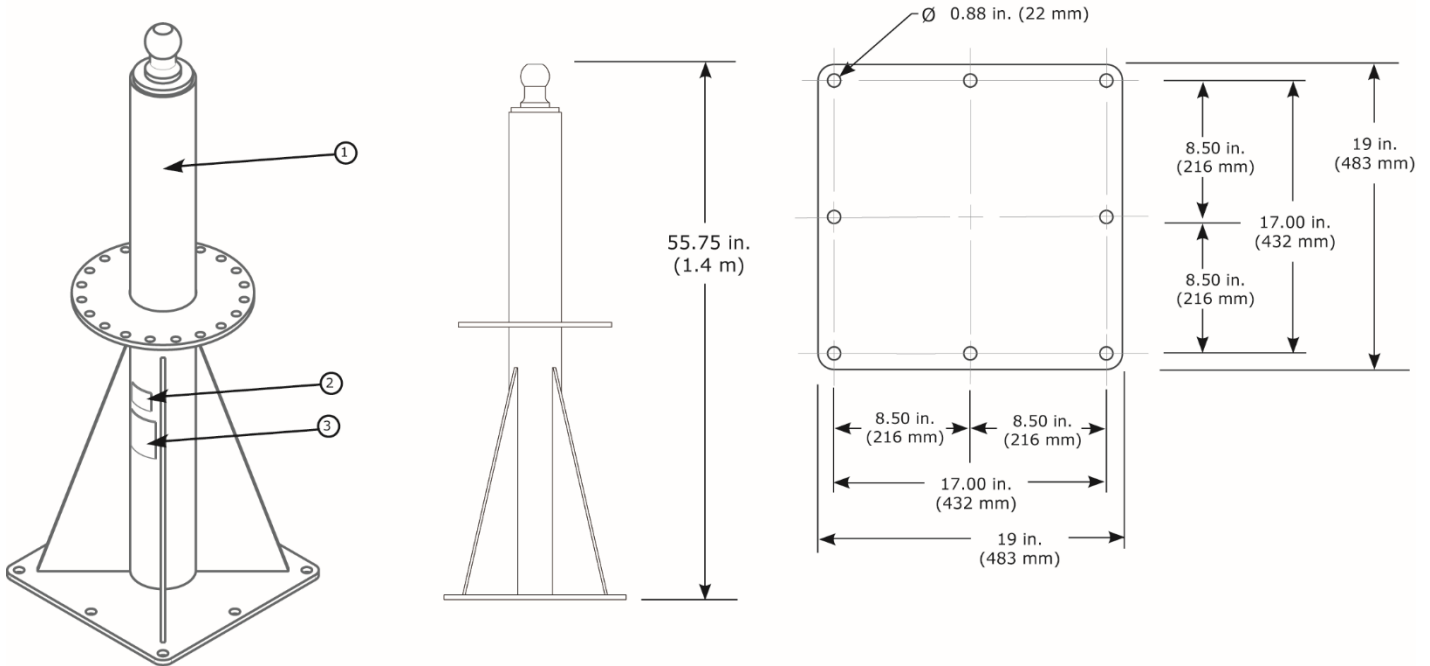
PANAUDOJIMAS:

Davito bazė yra sukurta naudoti kaip tvirtinimo taškas davito sistemai.

Daugiau informacijos apie gaminio montavimą rasite naudotojo instrukcijoje.

Standartai: CEN/TS 16415:2013 Tipas A, EN795:2012 Tipas A, OSHA 1910.140, OSHA 1926.502

	Svoris
8530888	265 lb. (120 kg)



Komponentų Sąrašas				
	Dalies Numeris	Aprašymas	Medžiaga	Kiekis
1	8549921	Bazės suvirinimas	Plienas	1
2	9514429	ID etiketė	Poliesteris	1
3	9515114	Naudotojo etiketė	Poliesteris	1

Tvirtinimo Reikalavimai		
Minimali tvirtinimo elemento ištraukimo jėga	Tvirtinimo struktūros minimalus momentinis krūvis	Tvirtinimo struktūros minimalus vertikalus krūvis
9,386 lb. (4,257 kg)	501,633 in-lb. (56,677 N-m)	3,320 lb. (1,506 kg) + Bazės svoris + M200 Strėlės Sijos Svoris

M200 Įleidžiama Tvirtinimo Bazė

TECHNINIŲ DUOMENŲ LAPAS: 8530889, 8530920, 8530921



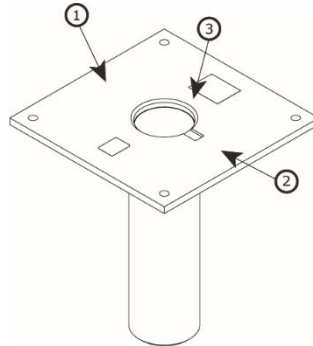
PANAUDOJIMAS:

Davito bazė yra sukurta naudoti kaip tvirtinimo taškas davito sistemai.

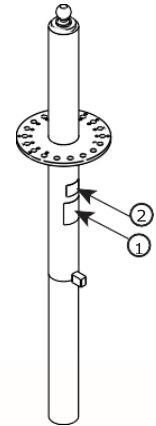
Daugiau informacijos apie gaminio montavimą rasite naudotojo instrukcijoje.

Standartai: CEN/TS 16415:2013, EN795:2012 Tipas A, OSHA 1910.140, OSHA 1926.502

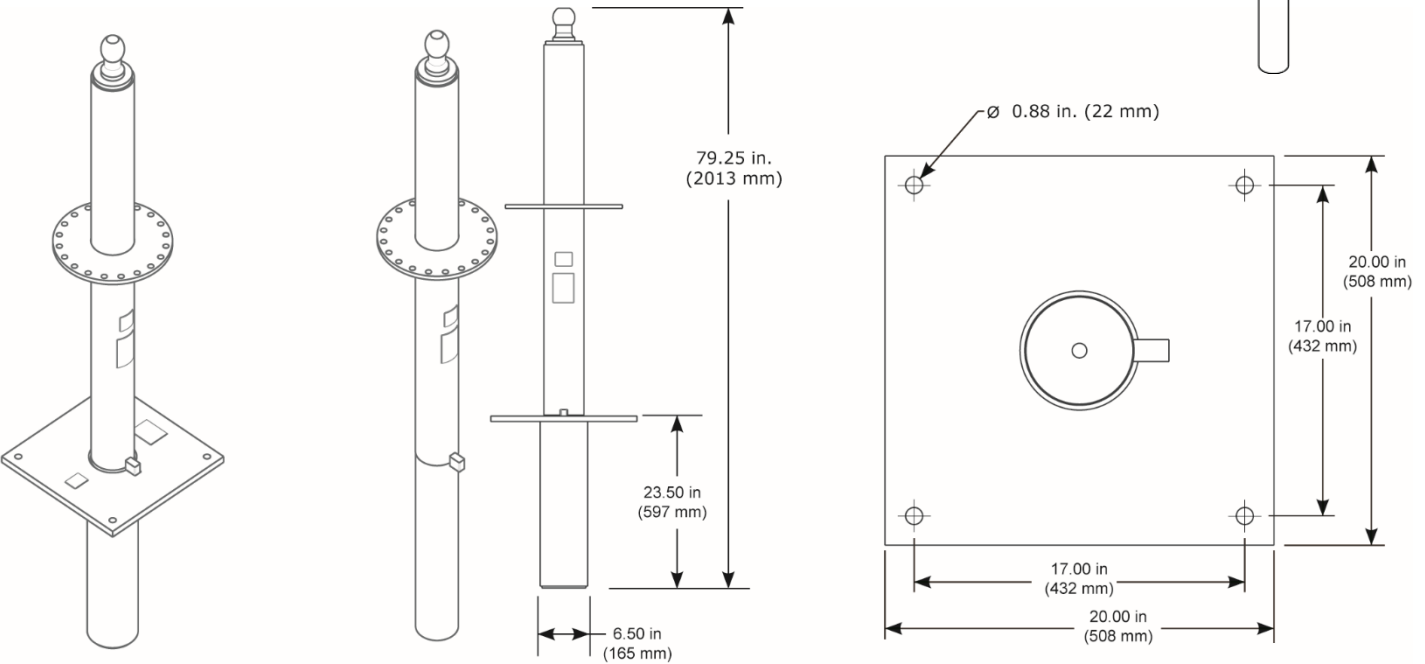
	Svoris
8530920	140 lb. (64 kg)



	Svoris
8530921	237 lb. (107 kg)



	Svoris
8530889	377 lb. (171 kg)

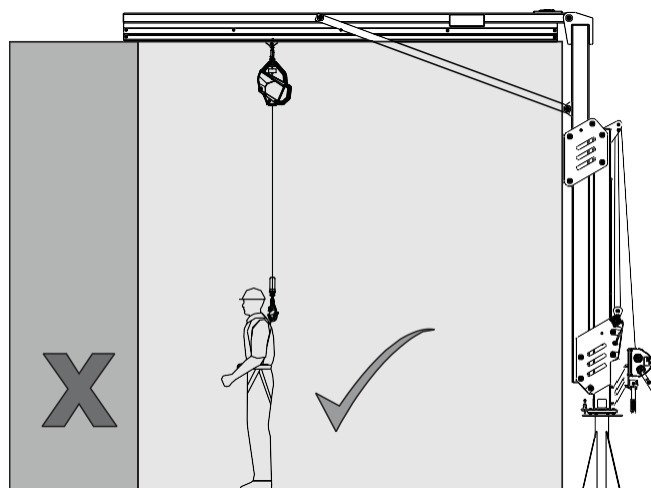
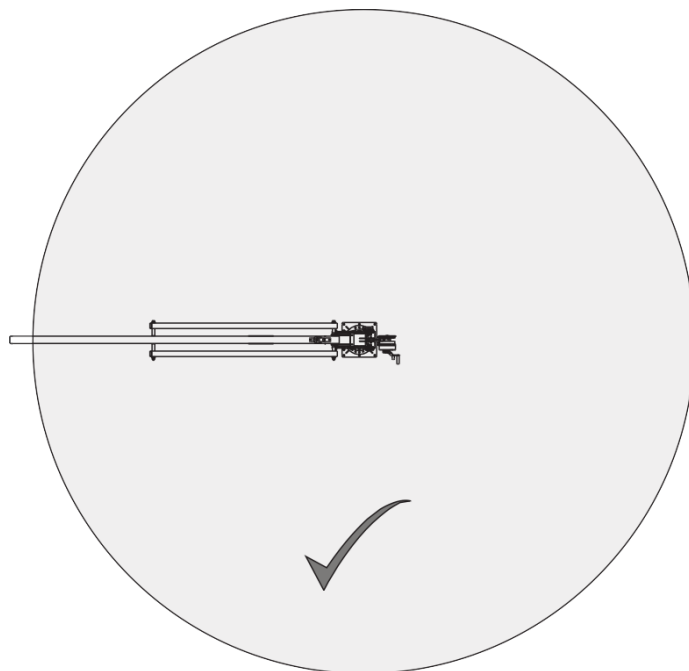


Komponentų Sąrašas				
	Dalies Numeris	Aprašymas	Medžiaga	Kiekis
1	9515114	Naudotojo etiketė	Poliesteris	1
2	9514429	ID etiketė	Poliesteris	1
3	8550165	Bazės dangtelis	Aliuminis, guma	1

Tvirtinimo Reikalavimai	
Tvirtinimo struktūros minimalus momentinis krūvis	Tvirtinimo struktūros minimalus vertikalus krūvis
501,633 in-lb. (56,677 N-m)	3,320 lb. (1,506 kg) + Bazės svoris + M200 Strėlės Sijos Svoris

PANAUDOJIMAS:

Žiūrėkite žemiau esantį diagramą, kad sužinotumėte gaminio darbo sritį.



Šakių Kišenės Komplektas

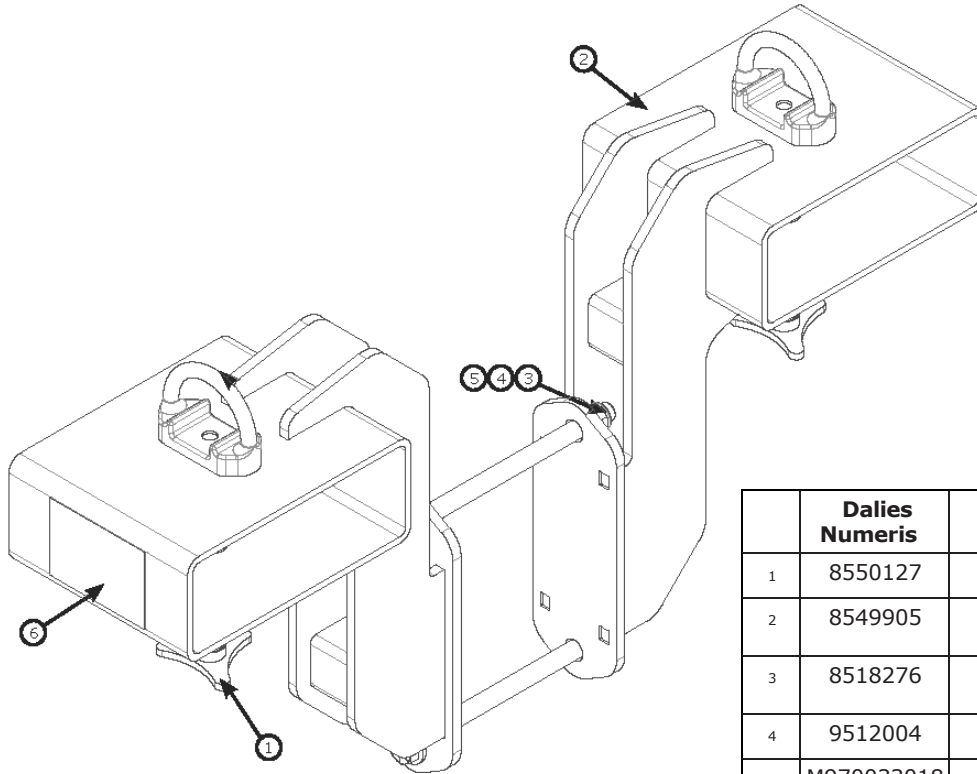
TECHNINIŲ DUOMENŲ LAPAS: 8530912



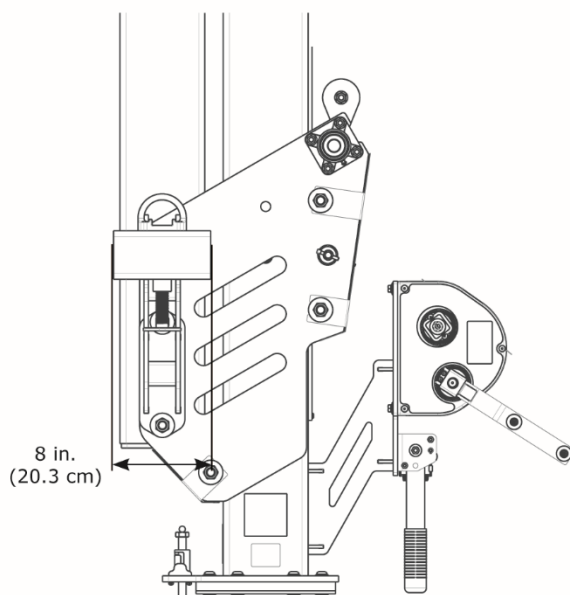
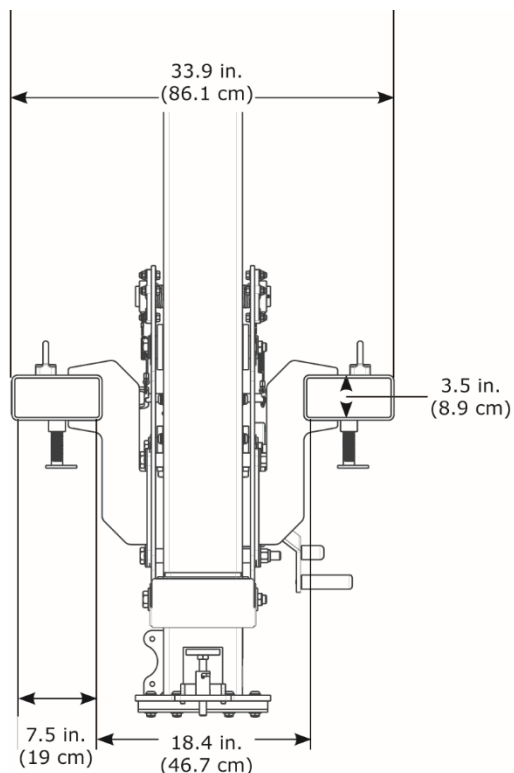
PANAUDOJIMAS:

Šis šakių kišenės komplekto modelis yra sukurtas transportuoti gervės valdomus davito modelius **8530891–8530898**.

Daugiau informacijos apie komponentų montavimą rasite naudotojo instrukcijoje.



	Dalies Numeris	Komponentas	Kiekis
1	8550127	Trigubas sraigtas	2
2	8549905	Šakių kišenės suvirinimas	2
3	8518276	3/4" šešiakampė veržlė	2
4	9512004	3/4" x 12" varžtas	2
5	M970033018	3/4" poveržlė	4
6	9515122	Naudotojo etiketė	1
	9500146	Grandinės jungtis	2
	8517096	Grandinė	10 ft.



Šakių Kišenės Komplektas

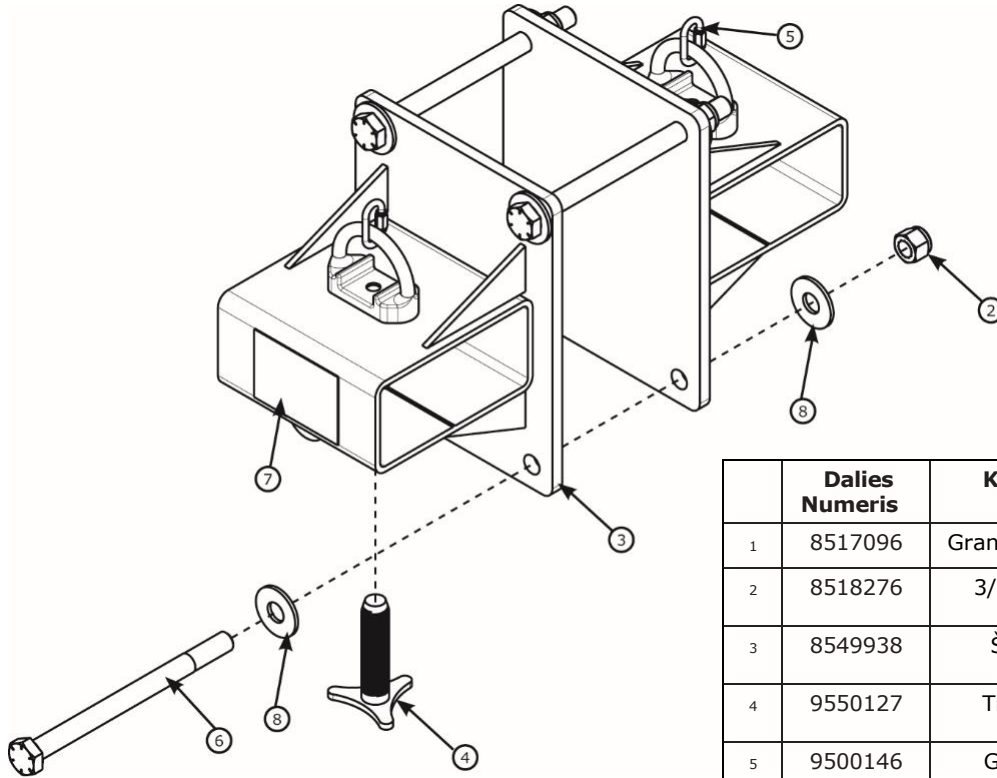
TECHNINIŲ DUOMENŲ LAPAS: 8530925



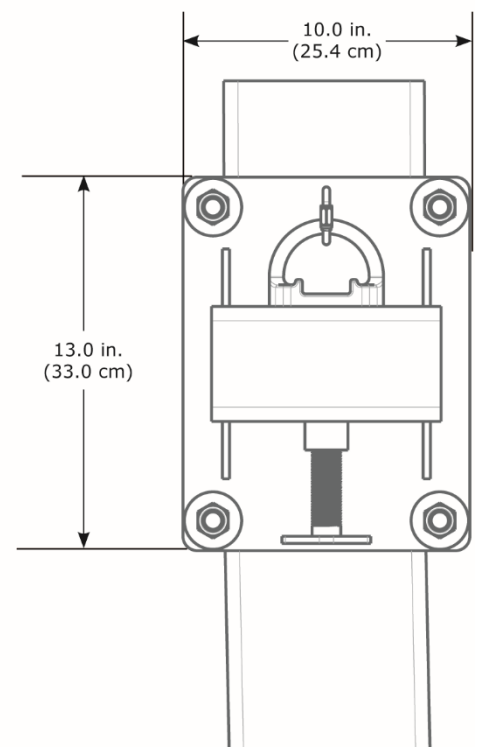
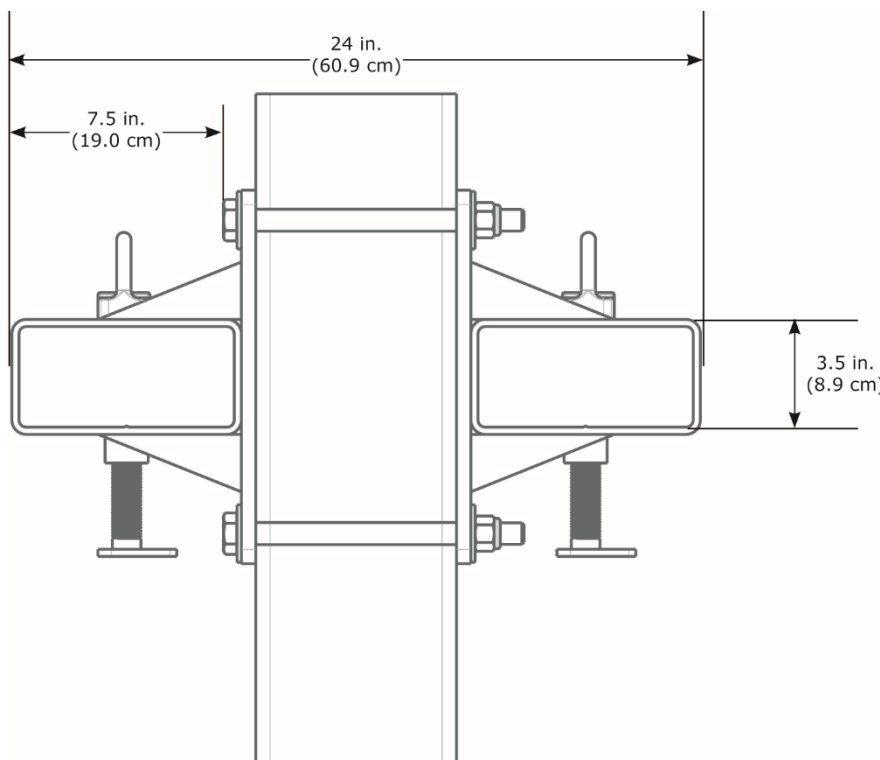
PANAUDOJIMAS:

Šis šakių kišenės komplekto modelis yra sukurtas transportuoti davitą su reguliavimo kanalo modeliais **8530899–8530904**.

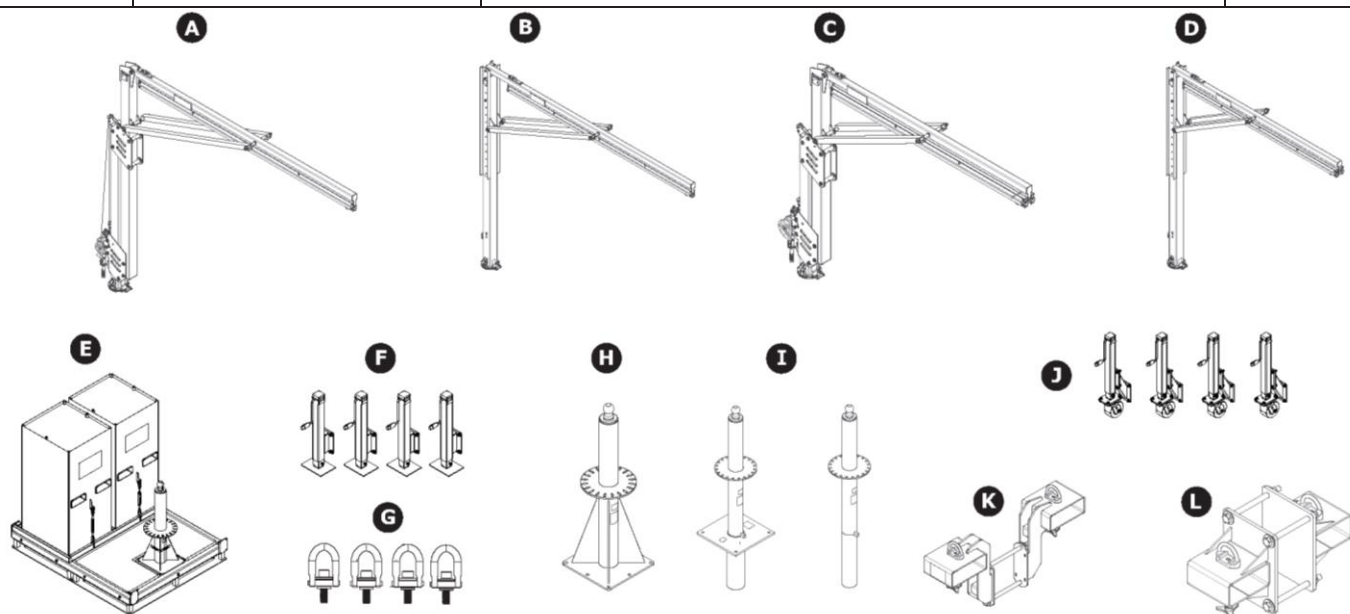
Daugiau informacijos apie komponentų montavimą rasite naudotojo instrukcijoje.



	Dalies Numeris	Komponentas	Kiekis
1	8517096	Grandinė (nerodoma)	10 ft.
2	8518276	3/4" šešiakampė veržlė	4
3	8549938	Šakių kišenės suvirinimas	2
4	9550127	Trigubo sraigto suvirinimas	2
5	9500146	Greitoji jungtis	2
6	9514294	3/4" šešiakampis varžtas	4
7	9515573	Išpėjamoji etiketė	1
8	M970033018	3/4" poveržlė	8



Izsaukums	Tehniskā datu lapa	Apraksts	Lapa
A	8530891	12,3 pēdas–15 pēdas (3,8 m–4,6 m) regulējams izlices rokas	326
	8530892	14,8 pēdas–20 pēdas (4,5 m–6,1 m) regulējams izlices rokas	326
	8530893	17,3 pēdas–25 pēdas (5,3 m–7,6 m) regulējams izlices rokas	326
	8530894	19,8 pēdas–30 pēdas (6,1 m–9,1 m) regulējams izlices rokas	326
B	8530899	15 pēdas–20 pēdas (4,6 m–6,1 m) daļēji fiksēts izlices rokas	328
	8530900	20 pēdas–25 pēdas (6,1 m–7,6 m) daļēji fiksēts izlices rokas	328
	8530901	25 pēdas–30 pēdas (7,6 m–9,1 m) daļēji fiksēts izlices rokas	328
C	8530895	12,3 pēdas–15 pēdas (3,8 m–4,6 m) regulējams izlices rokas	330
	8530896	14,8 pēdas–20 pēdas (4,5 m–6,1 m) regulējams izlices rokas	330
	8530897	17,3 pēdas–25 pēdas (5,3 m–7,6 m) regulējams izlices rokas	330
	8530898	19,8 pēdas–30 pēdas (6,1 m–9,1 m) regulējams izlices rokas	330
D	8530902	15 pēdas–20 pēdas (4,6 m–6,1 m) daļēji fiksēts izlices rokas	332
	8530903	20 pēdas–25 pēdas (6,1 m–7,6 m) daļēji fiksēts izlices rokas	332
	8530904	25 pēdas–30 pēdas (7,6 m–9,1 m) daļēji fiksēts izlices rokas	332
E	8530886	Neaizpildīta pretvārsta bāze	334
	8530887	Aizpildīta pretvārsta bāze	334
F	8530907	Pretvārsta bāzes domkrati	336
G	8530777	Pretvārsta bāzes pacelšanas gredzeni	336
H	8530888	Grīdas montāžas bāze	338
I	8530889, 8530920, 8530921	Iebūvēta montāžas bāze	339
J	8530908	Pretvārsta bāzes riteņi	336
K	8530912	Dakšu kabatas komplekts	341
L	8530925	Dakšu kabatas komplekts	342



Regulējams balsts
TEHNISKĀS DATU LAPA: 8530891–8530894




Fall Protection


PIELIETOJUMS:

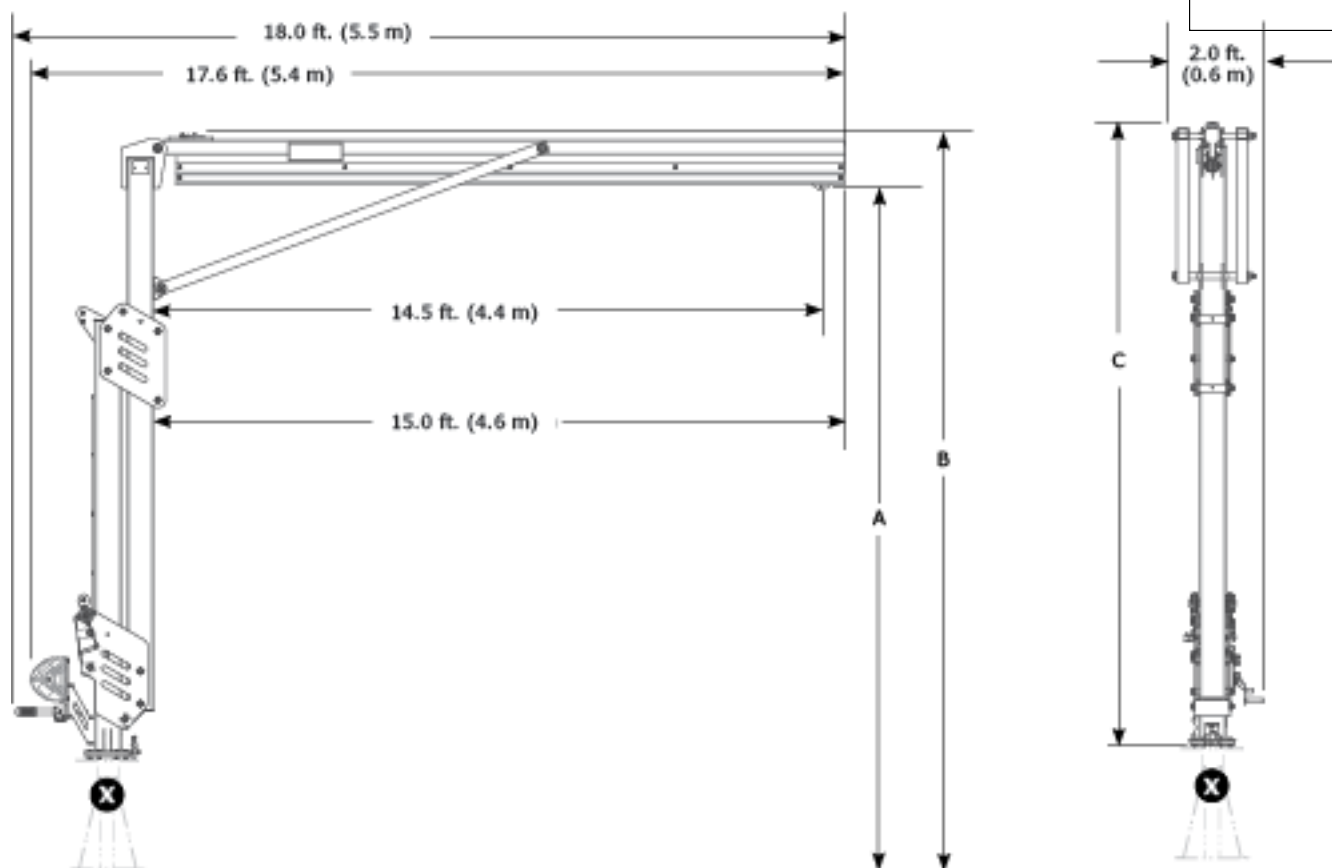
Balsts ir paredzēts, lai nodrošinātu enkura savienojuma punktus kritiena aizsardzības sistēmai.

Lai iegūtu vairāk informācijas par produkta uzstādīšanu, skatiet lietotāja instrukcijas.

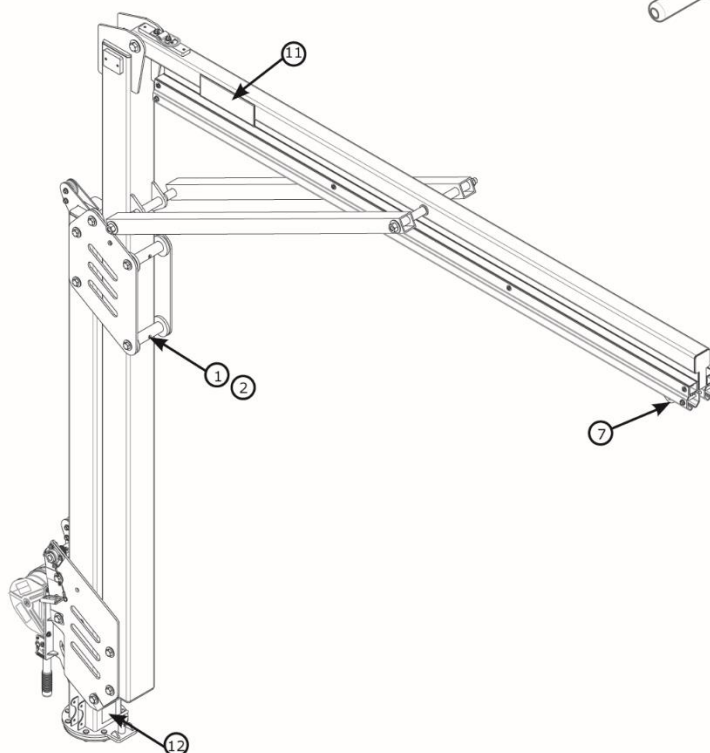
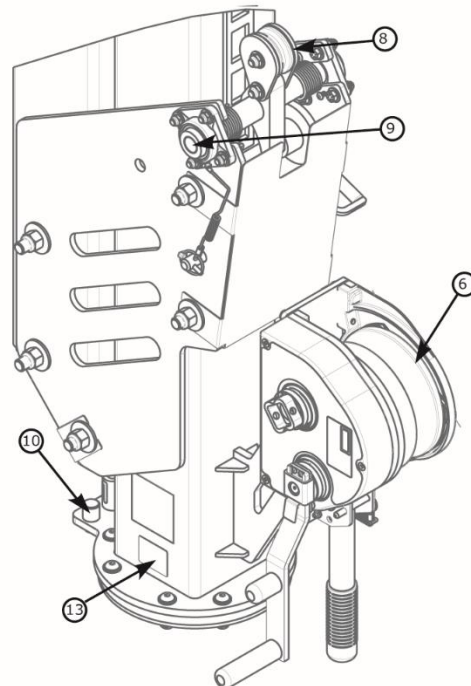
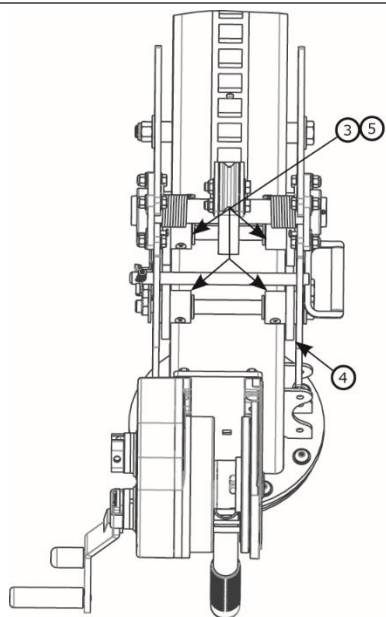
Standarti: EN795:2012 E tips, OSHA 1910.140, OSHA 1926.502


 ≤ 1350 lb.
 (6 kN)

1x 
 ≤ 310 lb.
 (140 kg)



	A	B	C	lb. (kg)
8530891	12.3 ft. – 15.0 ft. (3.8 m – 4.6 m)	13.4 ft. – 16.1 ft. (4.1 m – 4.9 m)	9.8 ft. – 14.8 ft. (3.0 m – 4.5 ft.)	945 lb. (429 kg)
8530892	14.8 ft. – 20.0 ft. (4.5 m – 6.1 m)	15.9 ft. – 21.1 ft. (4.8 m – 6.4 m)	13.5 ft. – 18.7 ft. (4.1 m – 5.7 m)	1,057 lb. (479 kg)
8530893	17.3 ft. – 25.0 ft. (5.3 m – 7.6 m)	18.4 ft. – 26.1 ft. (5.6 m – 8.0 m)	16.0 – 23.7 ft. (4.9 m – 7.2 m)	1,169 lb. (530 kg)
8530894	19.8 ft. – 30.0 ft. (6.0 m – 9.1 m)	20.9 ft. – 31.1 ft. (6.4 m – 9.5 m)	18.5 ft. – 28.7 ft. (5.6 m – 8.7 m)	1,281 lb. (581 kg)



Komponentu Saraksts				
	Daļas Numurs	Apraksts	Materiāls	Daudzums
1	8550046	Plats rullītis	Neilons	3
2	8550047	Plata rulliņa starplika	304 nerūsējošais tērauds	3
3	8550327	Šaurs rullītis	Neilons	2
4	9514703	Sānu rullītis	Neilons	8
5	8550213	Šaura rulliņa starplika	304 nerūsējošais tērauds	2
6	8549930	Vinča	Tērauds	1
7	8521711	Ratiņi	Tērauds, neilons	1

Komponentu Saraksts				
	Daļas Numurs	Apraksts	Materiāls	Daudzums
8	8550223	Bloķēšanas mehānisms (tikai autorizēts remonts)	Tērauds, neilons	1
9	9515138	Gultņi	Tērauds	2
10	8550398	Rotācijas apturēšana	Alumīnijs	2
11	9515111	3M etiķete	Poliesters	2
12	9515101	Rotācijas etiķete	Poliesters	1
13	9514429	ID etiķete	Poliesters	1
14	9515112	Lietotāja etiķete	Poliesters	1

Daļēji fiksēts balsts

TEHNISKĀS DATU LAPA: 8530899–8530901




Fall Protection


PIELIETOJUMS:

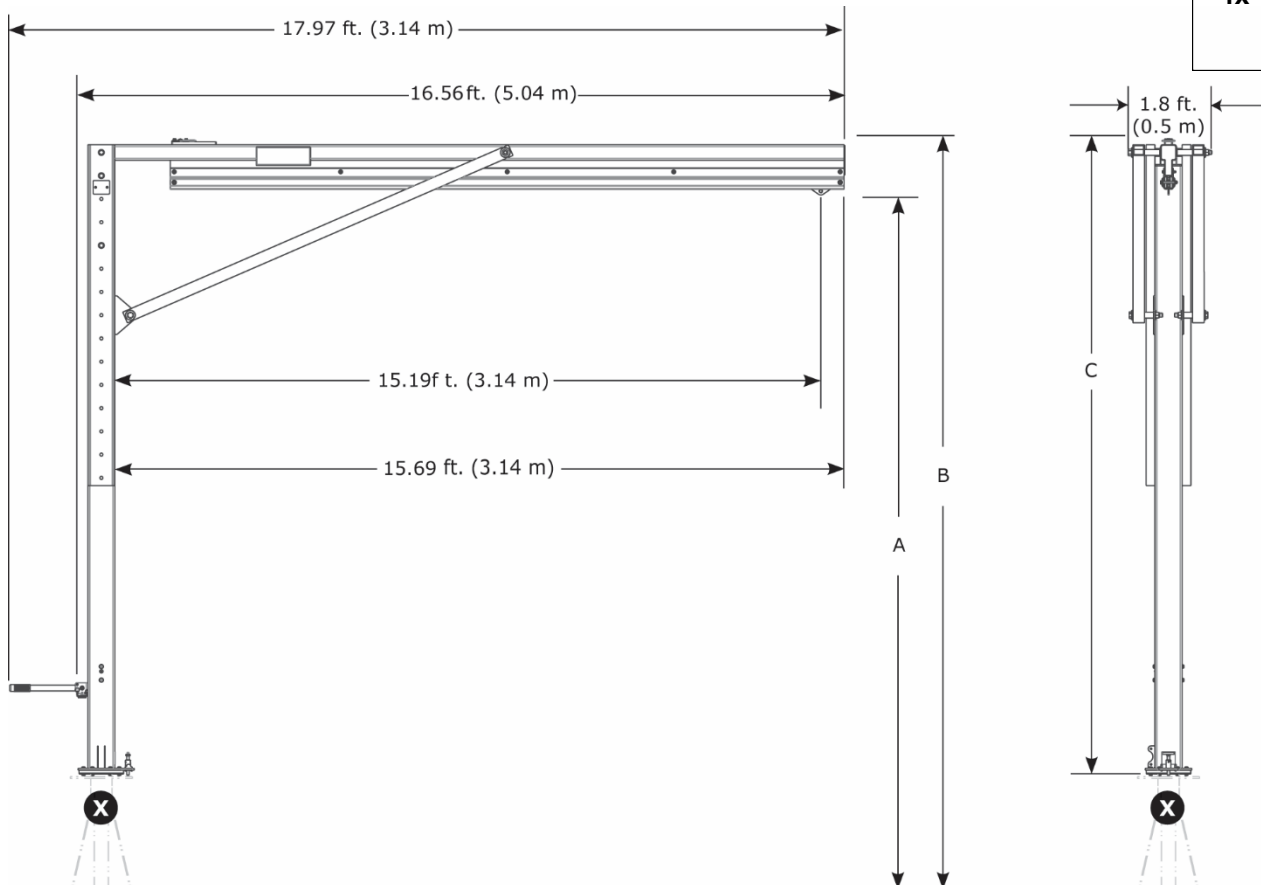
Balsts ir paredzēts, lai nodrošinātu enkura savienojuma punktus kritiena aizsardzības sistēmai.

Lai iegūtu vairāk informācijas par produkta uzstādīšanu, skatiet lietotāja instrukcijas.

Standarti: EN795:2012 E tips, OSHA 1910.140, OSHA 1926.502


≤ 1350 lb.
(6 kN)

1x

≤ 310 lb.
(140 kg)



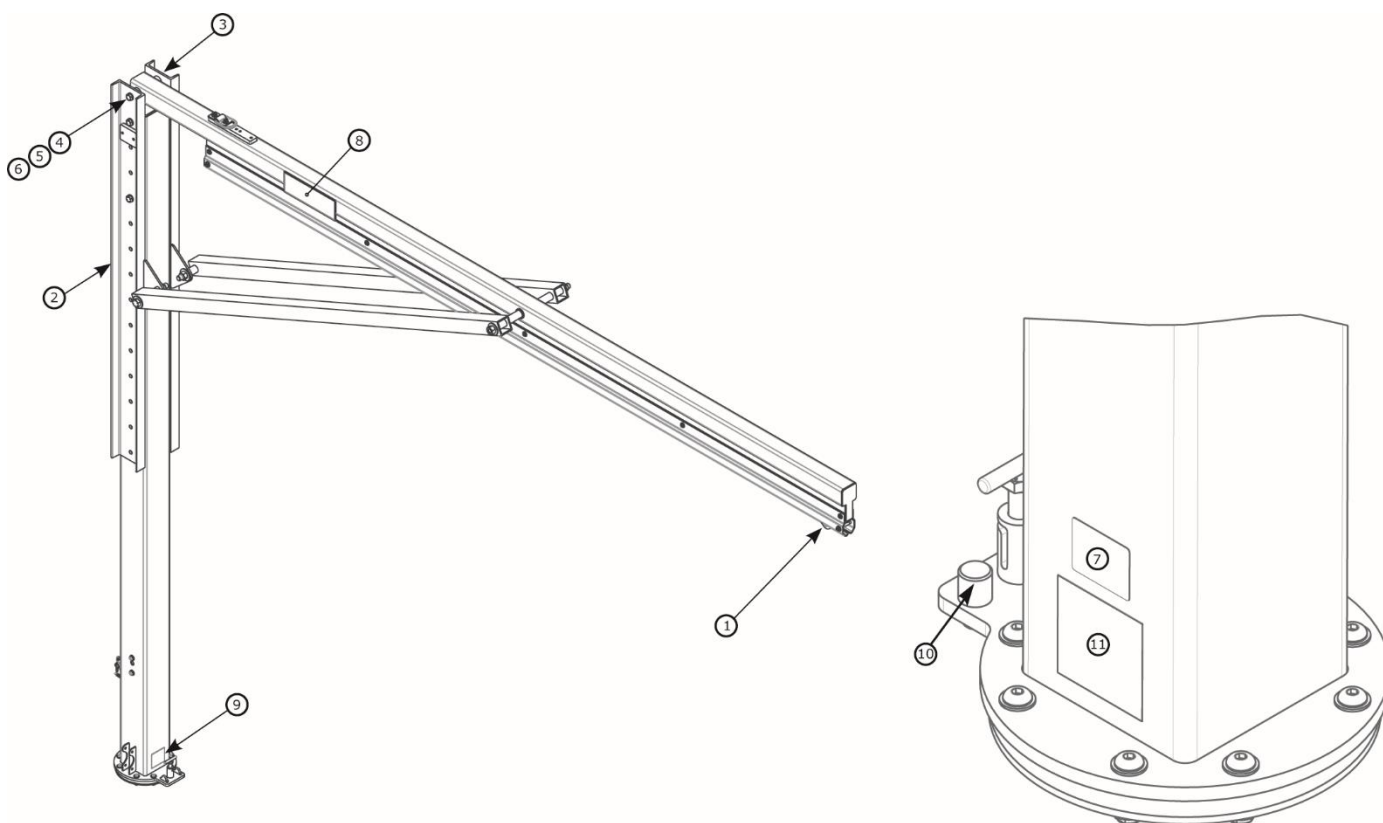
	A	B	C	lb. (kg)
8530899	15.0 ft. – 20.0 ft. (4.6 m – 6.1 m)	16.1 ft. – 21.1 ft. (4.9 m – 6.4 m)	13.7 ft. – 18.7 ft. (4.2 m – 5.7 m)	818 lb. (371 kg)
8530900	20.0 ft. – 25.0 ft. (6.1 m – 7.6 m)	21.1 ft. – 26.1 ft. (6.4 m – 7.9 m)	18.7 ft. – 23.7 ft. (5.7 m – 7.2 m)	930 lb. (422 kg)
8530901	25.0 ft. – 30.0 ft. (7.6 m – 9.1 m)	26.1 ft. – 31.1 ft. (7.9 m – 9.6 m)	23.7 ft. – 28.7 ft. (7.2 m – 8.7 m)	1,041 lb. (472 kg)
	+6" (152 mm) regulēšanas soli			

Dalēji fiksēta balsta komponentes

TEHNISKĀS DATU LAPA: 8530899-8530901



Fall Protection



	Daljas Numurs	Apraksts	Materiāls	Daudzums		Daljas Numurs	Apraksts	Materiāls	Daudzums
1	8521711	Ratiņi	Nerūsējošais tērauds, tērauds, neilons	1	8	9515111	3M etiķete	Poliesters	2
2	8549933	Glābšanas montāžas kanāls	Tērauds	1	9	9515101	Rotācijas etiķete	Poliesters	1
3	8550248	Kanāls	Tērauds	1	10	8550398	Rotācijas apturēšana	Alumīnijs	2
4	8526654	3/4" x 9" skrūve	Tērauds	2	11	9515112	Lietotāja etiķete	Poliesters	1
5	8522275	3/4" paplāksne	Tērauds	4					
6	8518276	3/4" uzgrieznis	Tērauds	2					
7	9514429	ID etiķete	Poliesters	1					

Regulējams balsts

TEHNISKĀS DATU LAPA: 8530895–8530898





PIELIETOJUMS:

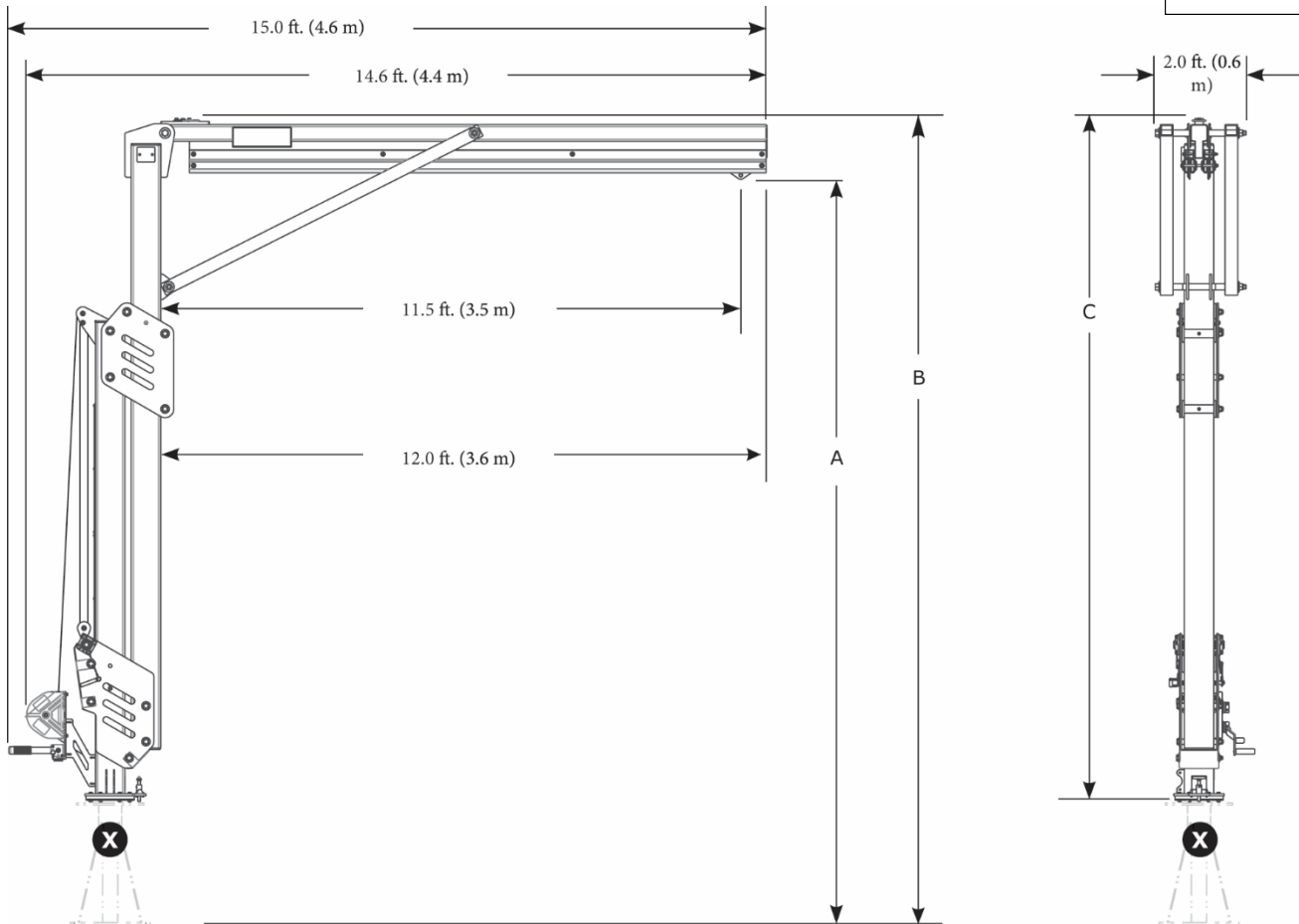
Balsts ir paredzēts, lai nodrošinātu enkura savienojuma punktus kritiena aizsardzības sistēmai.

Lai iegūtu vairāk informācijas par produkta uzstādīšanu, skatiet lietotāja instrukcijas.

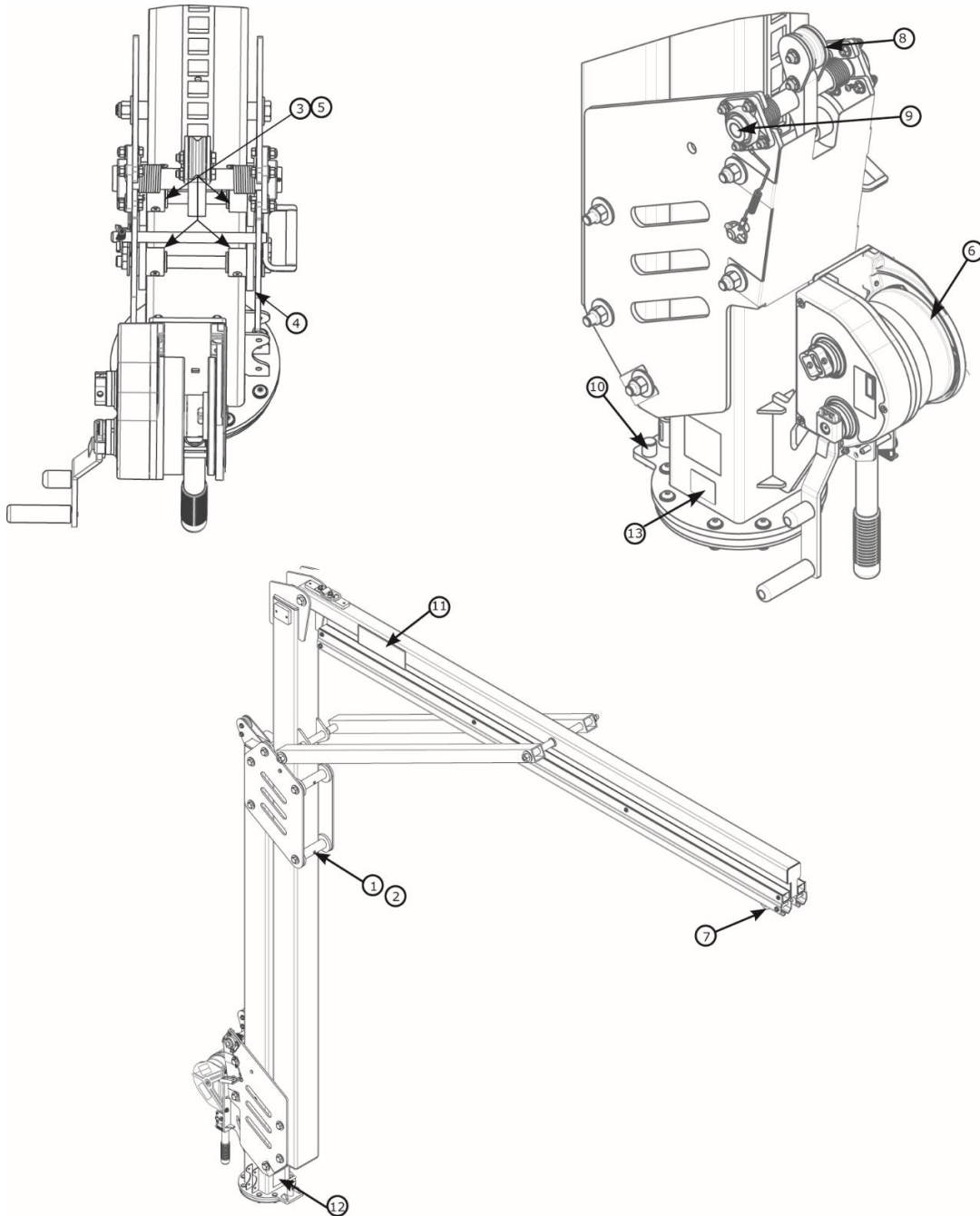
Standarti: CEN/TS 16415:2013 E tips, EN795:2012 E tips, OSHA 1910.140, OSHA 1926.502


 ≤ 1350 lb.
(6 kN)

2x 
 ≤ 310 lb.
(140 kg)



	A	B	C	lb. (kg)
8530895	12.3 ft. – 15.0 ft. (3.8 m – 4.6 m)	13.4 ft. – 16.1 ft. (4.1 m – 4.9 m)	11.0 ft. – 13.7 ft. (3.4 m – 4.2 ft.)	1,011 lb. (459 kg)
8530896	14.8 ft. – 20.0 ft. (4.5 m – 6.1 m)	15.9 ft. – 21.1 ft. (4.8 m – 6.4 m)	13.5 ft. – 18.7 ft. (4.1 m – 5.7 m)	1,123 lb. (509 kg)
8530897	17.3 ft. – 25.0 ft. (5.3 m – 7.6 m)	18.4 ft. – 26.1 ft. (5.6 m – 8.0 m)	16.0 – 23.7 ft. (4.9 m – 7.2 m)	1,235 lb. (560 kg)
8530898	19.8 ft. – 30.0 ft. (6.0 m – 9.1 m)	20.9 ft. – 31.1 ft. (6.4 m – 9.5 m)	18.5 ft. – 28.7 ft. (5.6 m – 8.7 m)	1,343 lb. (609 kg)



Komponentu Saraksts				
	Daļas Numurs	Apraksts	Materiāls	Daudzums
1	8550046	Plats rullītis	Neilons	3
2	8550047	Plata rullīša starplika	304 nerūsējošais tērauds	3
3	8550327	Šaurs rullītis	Neilons	2
4	9514703	Sānu rullītis	Neilons	8
5	8550213	Šaura rullīša starplika	304 nerūsējošais tērauds	2
6	8549930	Vinča	Tērauds	1
7	8521711	Ratiņi	Tērauds, neilons	1

Komponentu Saraksts				
	Daļas Numurs	Apraksts	Materiāls	Daudzums
8	8550223	Bloķēšanas mehānisms (tikai autorizēts remonts)	Tērauds, neilons	1
9	9515138	Gultņi	Tērauds	2
10	8550398	Rotācijas apturēšana	Alumīnijs	2
11	9515111	3M etiķete	Poliesters	2
12	9515101	Rotācijas etiķete	Poliesters	1
13	9514429	ID etiķete	Poliesters	1
14	9515112	Lietotāja etiķete	Poliesters	1

Daļēji fiksēts balsts
TEHNISKĀS DATU LAPA: 8530902–8530904





PIELIETOJUMS:

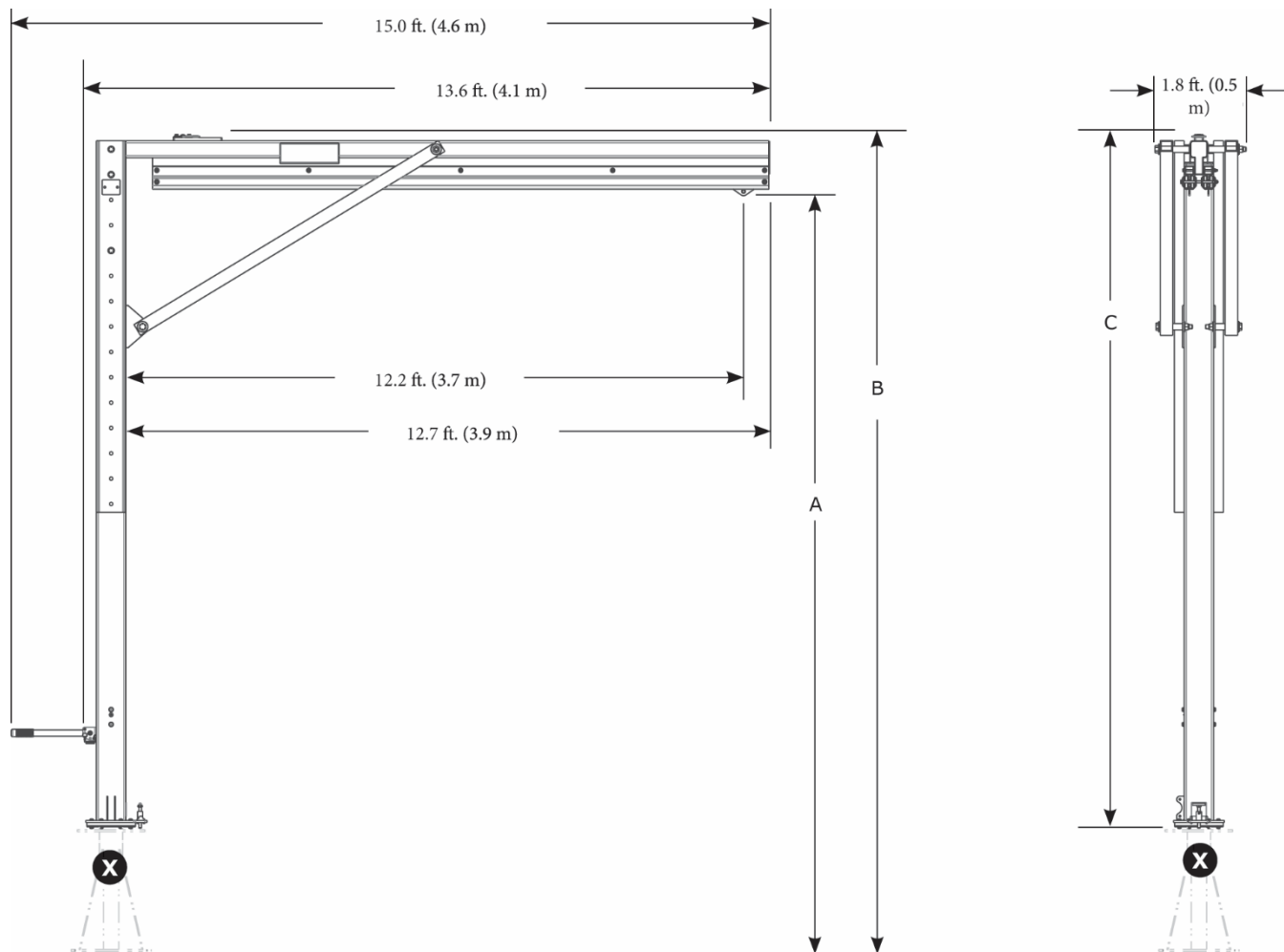
Balsts ir paredzēts, lai nodrošinātu enkura savienojuma punktus kritiena aizsardzības sistēmai.

Lai iegūtu vairāk informācijas par produkta uzstādīšanu, skatiet lietotāja instrukcijas.

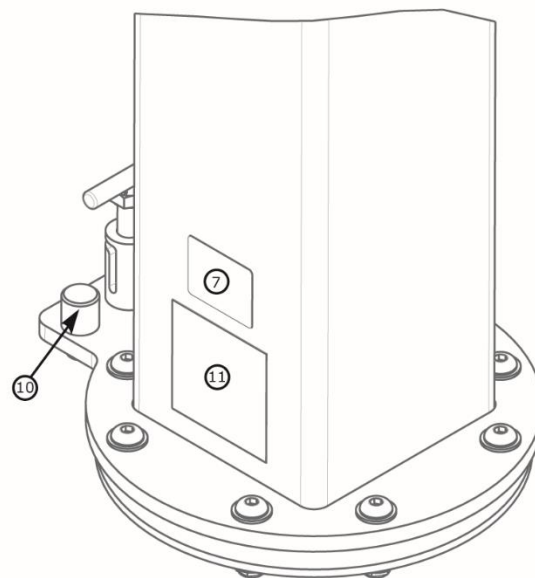
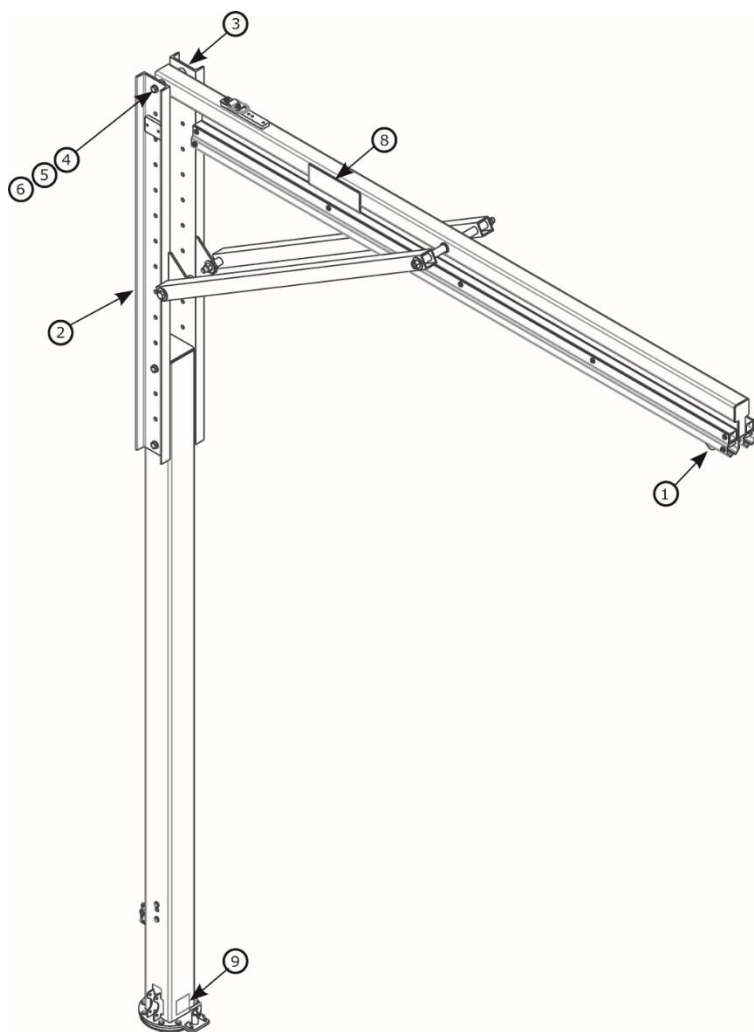
Standarti: CEN/TS 16415:2013 E tips, EN795:2012 E tips, OSHA 1910.140, OSHA 1926.502

 ≤ 1350 lb.
(6 kN)

 2x  ≤ 310 lb.
(140 kg)



	A	B	C	lb. (kg)
8530902	15.0 ft. – 20.0 ft. (4.6 m – 6.1 m)	16.1 ft. – 21.1 ft. (4.9 m – 6.4 m)	13.7 ft. – 18.7 ft. (4.2 m – 5.7 m)	850 lb. (386 kg)
8530903	20.0 ft. – 25.0 ft. (6.1 m – 7.6 m)	21.1 ft. – 26.1 ft. (6.4 m – 7.9 m)	18.7 ft. – 23.7 ft. (5.7 m – 7.2 m)	961 lb. (436 kg)
8530904	25.0 ft. – 30.0 ft. (7.6 m – 9.1 m)	26.1 ft. – 31.1 ft. (7.9 m – 9.6 m)	23.7 ft. – 28.7 ft. (7.2 m – 8.7 m)	1,073 lb. (487 kg)



	Daļas Numurs	Apraksts	Materiāls	Daudzums
1	8521711	Ratiņi	Nerūsējošais tērauds, tērauds, neilons	1
2	8549933	Glābšanas montāžas kanāls	Tērauds	1
3	8550248	Kanāls	Tērauds	1
4	8526654	3/4" x 9" skrūve	Tērauds	2
5	8522275	3/4" paplāksne	Tērauds	4
6	8518276	3/4" uzgrieznis	Tērauds	2
7	9514429	ID etiķete	Poliesters	1

	Daļas Numurs	Apraksts	Materiāls	Daudzums
8	9515111	3M etiķete	Poliesters	2
9	9515101	Rotācijas etiķete	Poliesters	1
10	8550398	Rotācijas apturēšana	Alumīnijs	2
11	9515112	Lietotāja etiķete	Poliesters	1

M200 pretvārsta bāze

TEHNISKĀS DATU LAPA: 8530886, 8530887



PIELIETOJUMS:

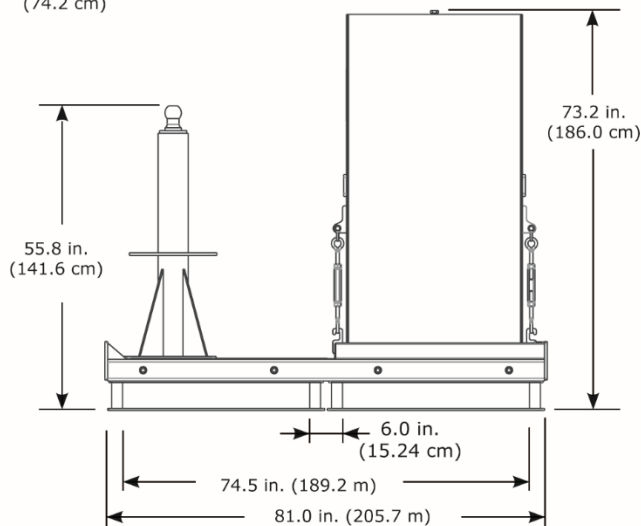
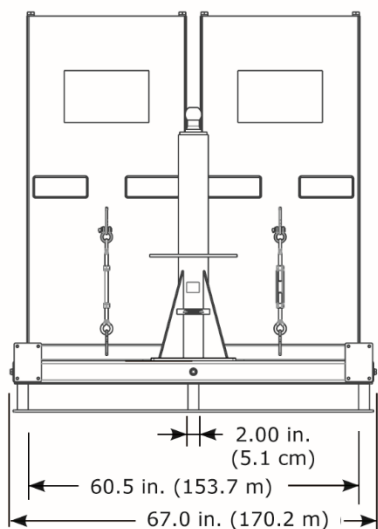
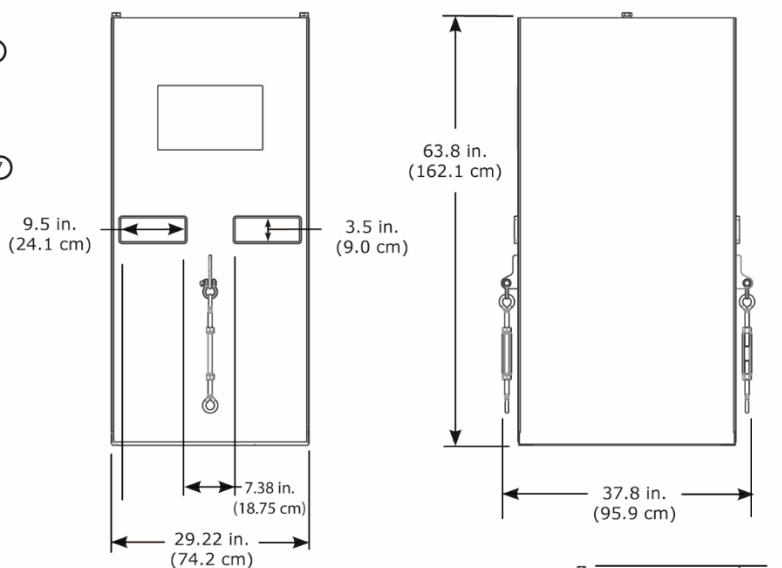
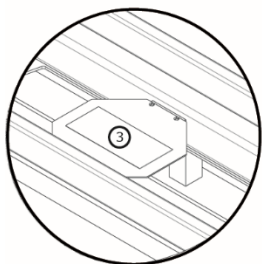
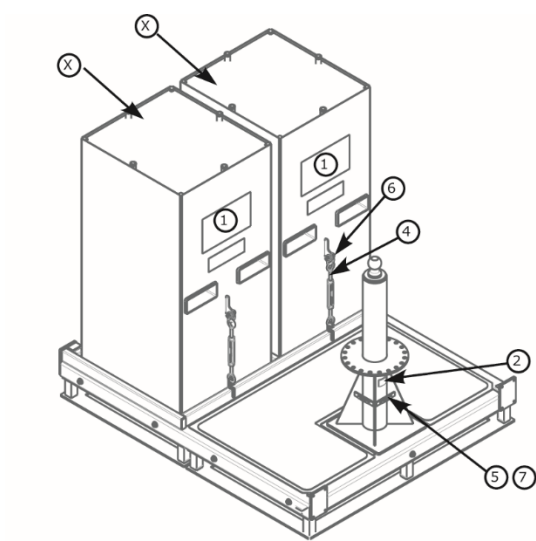
Balsta pamatne ir paredzēta izmantošanai kā montāžas punkts balsta sistēmai.

Lai iegūtu vairāk informācijas par produkta uzstādīšanu, skatiet lietotāja instrukcijas.

Standarti: CEN/TS 16415:2013 E tips, EN795:2012 E tips, OSHA 1910.140, OSHA 1926.502

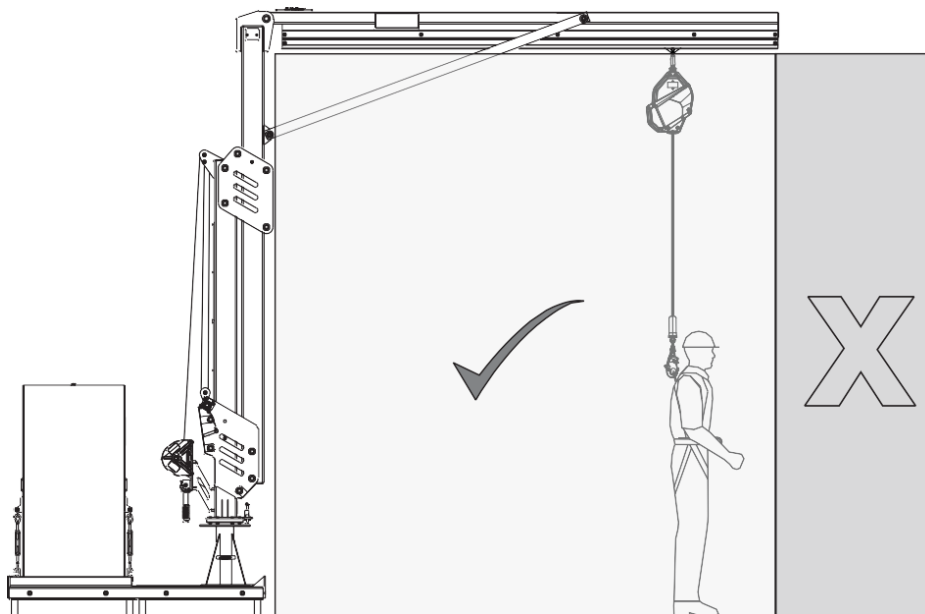
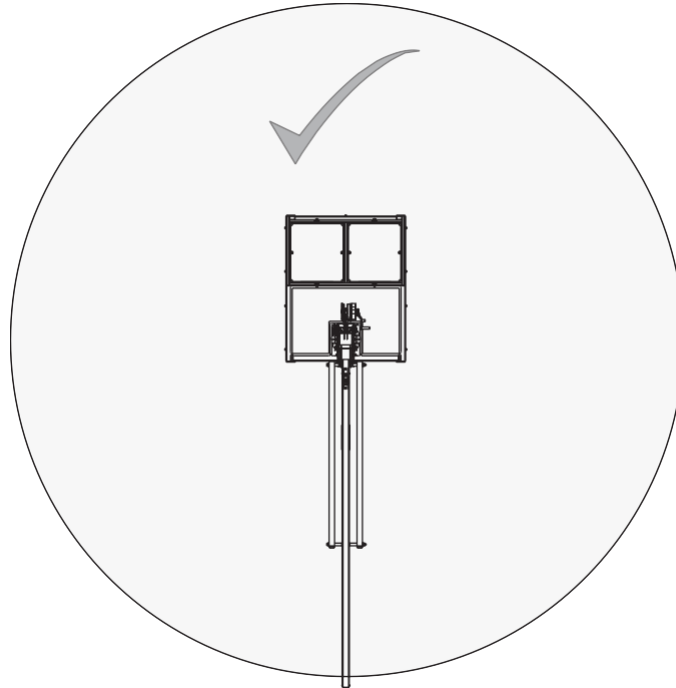
	X 4,000 psi (30 MPa)	Atbalsta struktūras prasības	Svars
8530886		14,645 lb. (6,643 kg)	2,407 lb. (1,092 kg)
8530887	✓	+ M200 izlīces strēles svars	11,325 lb. (5,137 kg)

Komponentu Saraksts				
	Daļas Numurs	Apraksts	Materiāls	Daudzums
1	9515107	Lietotāja etiķete	Poliesters	1
2	9514429	ID etiķete	Poliesters	1
3	9515106	Brīdinājuma etiķete	Poliesters	1
4	8520575	Spriegotājs	Tērauds	2
5	9513627	#4 skrūve	Tērauds	4
6	9501794	Šakle	Tērauds	2
7	9515058	Līmeņrādis	Plastmasa	2
8	9515566	Brīdinājuma etiķete	Poliesters	4



PIELIETOJUMS:

Atsaucieties uz zemāk esošo diagrammu, lai uzzinātu produkta darba zonu.



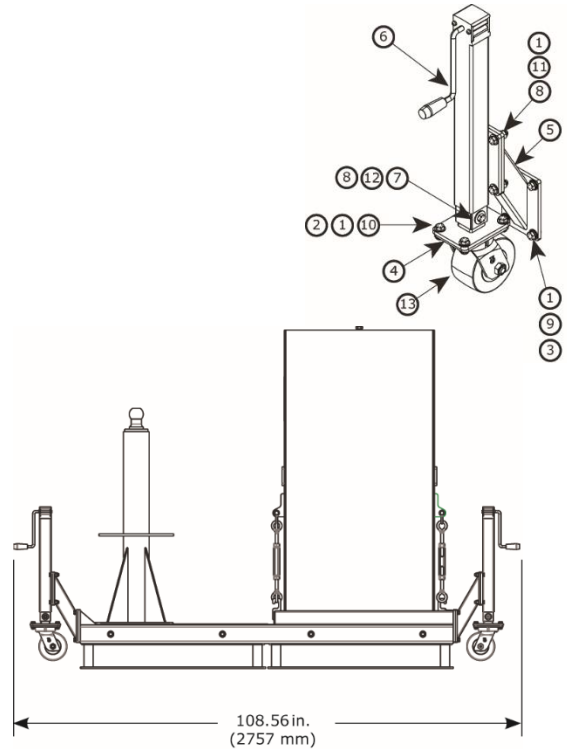
M200 pretvārsta bāzes piederumi

TEHNISKĀS DATU LAPA: 8530907, 8530908, 8530777

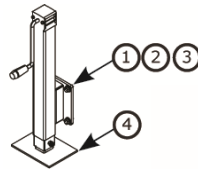


Fall Protection

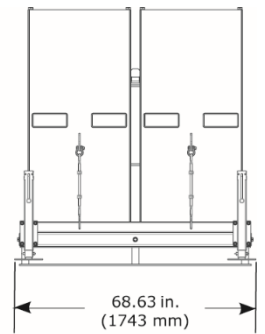
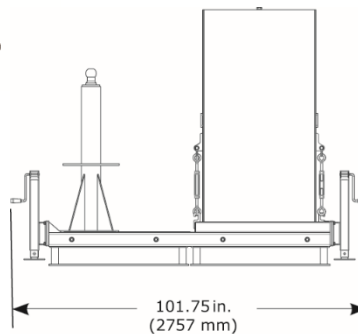
Komponentu Saraksts				
	Daļas Numurs	Apraksts	Materiāls	Daudzums
1	8510037	1/2" paplāksne	Tērauds	80
2	8512460	1/2" x 1 1/4" skrūve	Tērauds	16
3	8518432	1/2" x 1" skrūve	Tērauds	16
4	8550153	Riteņa metinājums	Tērauds	4
5	8550155	Leņķa metinājums	Tērauds	4
6	8550156	Montēts metinājums	Tērauds	4
7	9501243	1/2" paplāksne	Tērauds	8
8	9501831	1/2" sešstūra uzgrieznis	Tērauds	20
9	9504221	1/2" paplāksne	Tērauds	16
10	9504813	1/2" sešstūra uzgrieznis	Tērauds	16
11	9509276	1/2" x 1 3/4" skrūve	Tērauds	16
12	9510153	1/2" x 3 1/4" skrūve	Tērauds	4
13	9515081	Ritenis ar riteni	Tērauds , uretāns	4



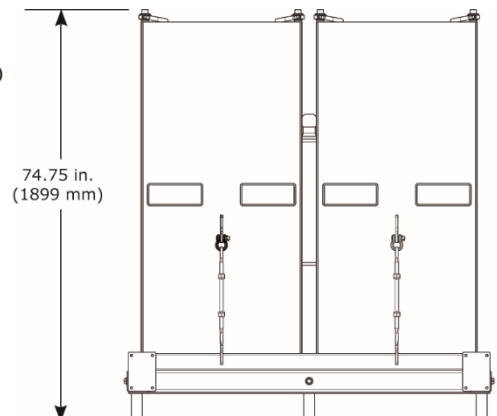
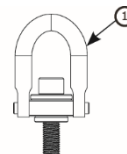
	8530907	8530908	8530777
Svars	108 lb. (49 kg)	152 lb. (69 kg)	12 lb. (5.4 kg)



	Daļas Numurs	Apraksts	Materiāls	Daudzums
1	9504221	1/2" bloķējošā paplāksne	Tērauds	16
2	8510037	1/2" paplāksne	Tērauds	16
3	8518432	1/2" x 1" skrūve	Tērauds	16
4	8550177	Riteņa metinājums	Tērauds	4





Komponentu Saraksts				
	Daļas Numurs	Apraksts	Materiāls	Daudzums
1	9512574	Pacelšanas gredzens	Tērauds	4

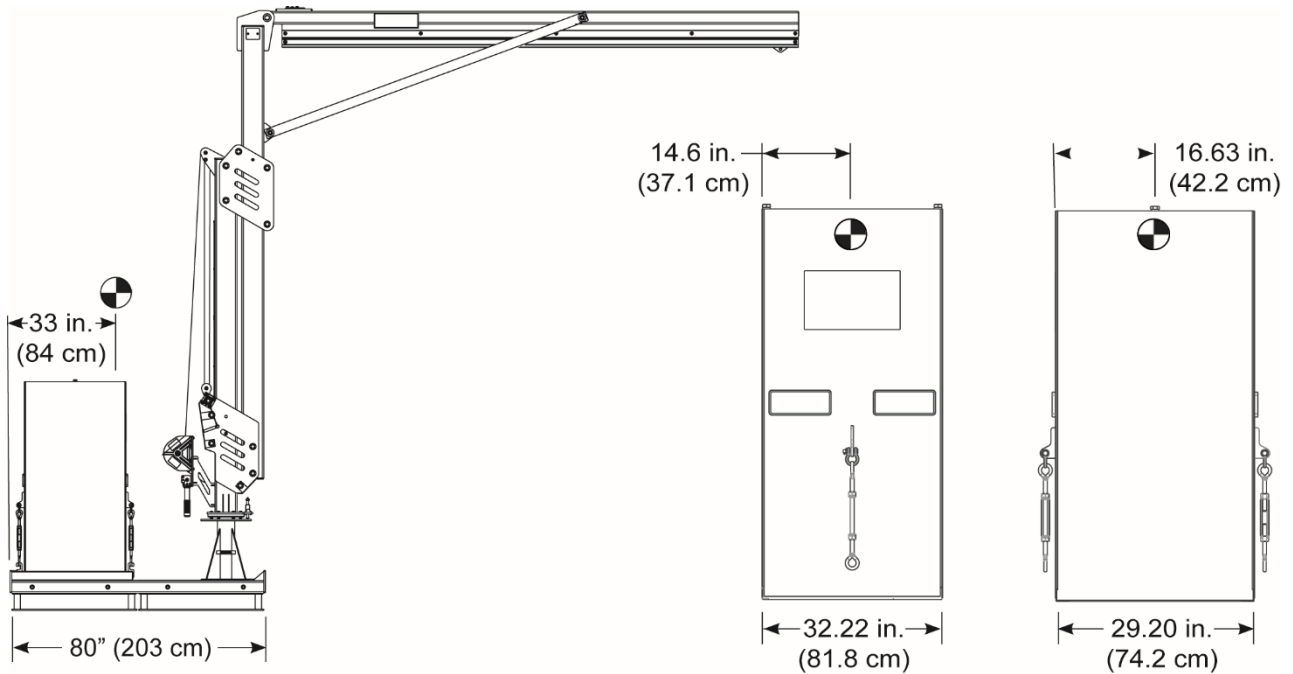



M200 pretvārsta bāzes smaguma centrs
TEHNISKĀS DATU LAPA: 8530886, 8530887




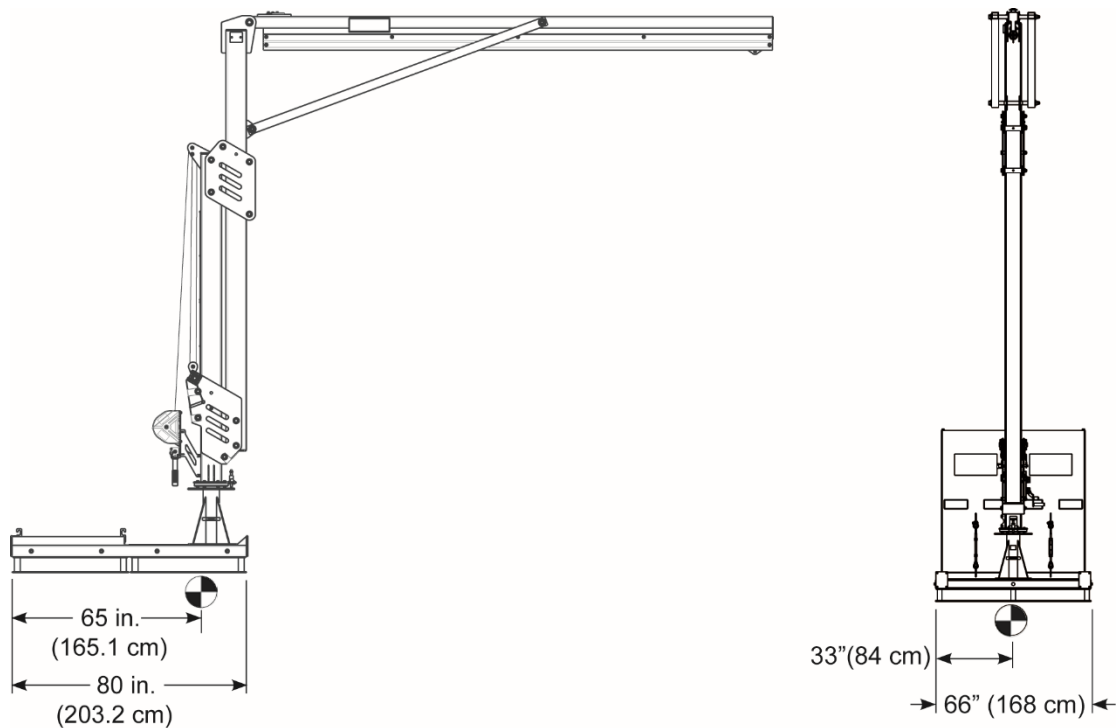
8530887	8530898
 .lb (kg)	12,668 lbs. (5,746 kg)

 .lb (kg)	5,000 lbs. (2,268 kg)
--	--------------------------



8530887	8530898
 .lb (kg)	2,668 lbs. (1,210 kg)

8530887	8530898
 .lb (kg)	12,668 lbs. (5,746 kg)



M200 grīdas montāžas bāze

TEHNISKĀS DATU LAPA: 8530888



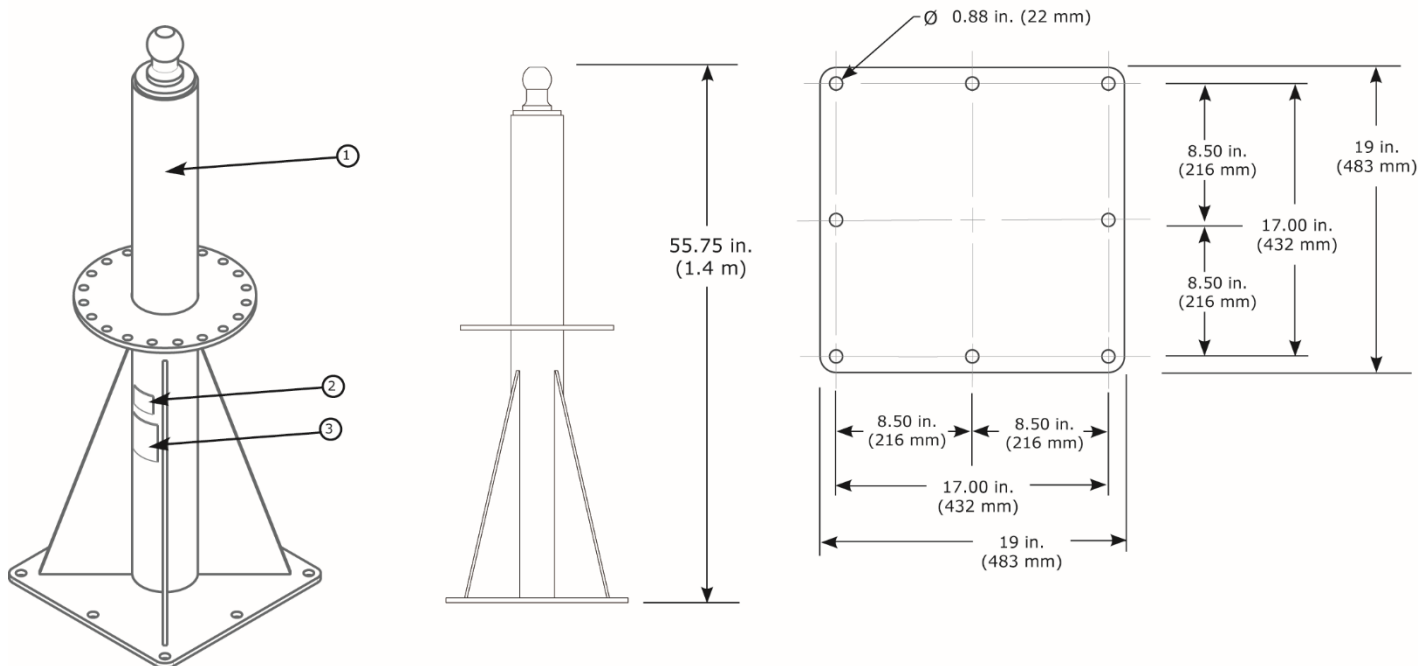
PIELIETOJUMS:

Balsta pamatne ir paredzēta izmantošanai kā montāžas punkts balsta sistēmai.

Lai iegūtu vairāk informācijas par produkta uzstādīšanu, skatiet lietotāja instrukcijas.

Standarti: CEN/TS 16415:2013 A tips, EN795:2012 A tips, OSHA 1910.140, OSHA 1926.502

	Svars
8530888	265 lb. (120 kg)



Komponentu Saraksts				
	Daļas Numurs	Apraksts	Materiāls	Daudzums
1	8549921	Bāzes metinājums	Tērauds	1
2	9514429	ID etiķete	Poliesters	1
3	9515114	Lietotāja etiķete	Poliesters	1

Montāžas Prasības		
Minimālais stiprinājuma izraušanas spēks	Montāžas Konstruktijas Minimālā Momentu Slodze	Montāžas Konstruktijas Minimālā Vertikālā Slodze
9,386 lb. (4,257 kg)	501,633 in.-lb. (56,677 N-m)	3,320 lb. (1,506 kg) + Pamatnes svars + M200 izlīces strēles svars

M200 iebūvēta montāžas bāze

TEHNISKĀS DATU LAPA: 8530889, 8530920, 8530921



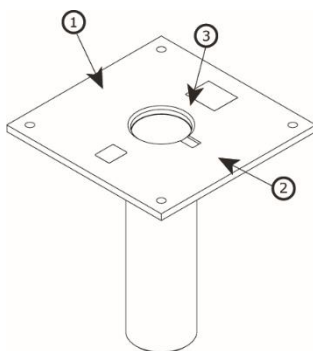
PIELIETOJUMS:

Balsta pamatne ir paredzēta izmantošanai kā montāžas punkts balsta sistēmai.

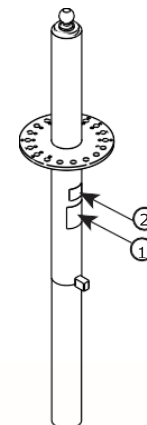
Lai iegūtu vairāk informācijas par produkta uzstādīšanu, skatiet lietotāja instrukcijas.

Standarti: CEN/TS 16415:2013, EN795:2012 A tips, OSHA 1910.140, OSHA 1926.502

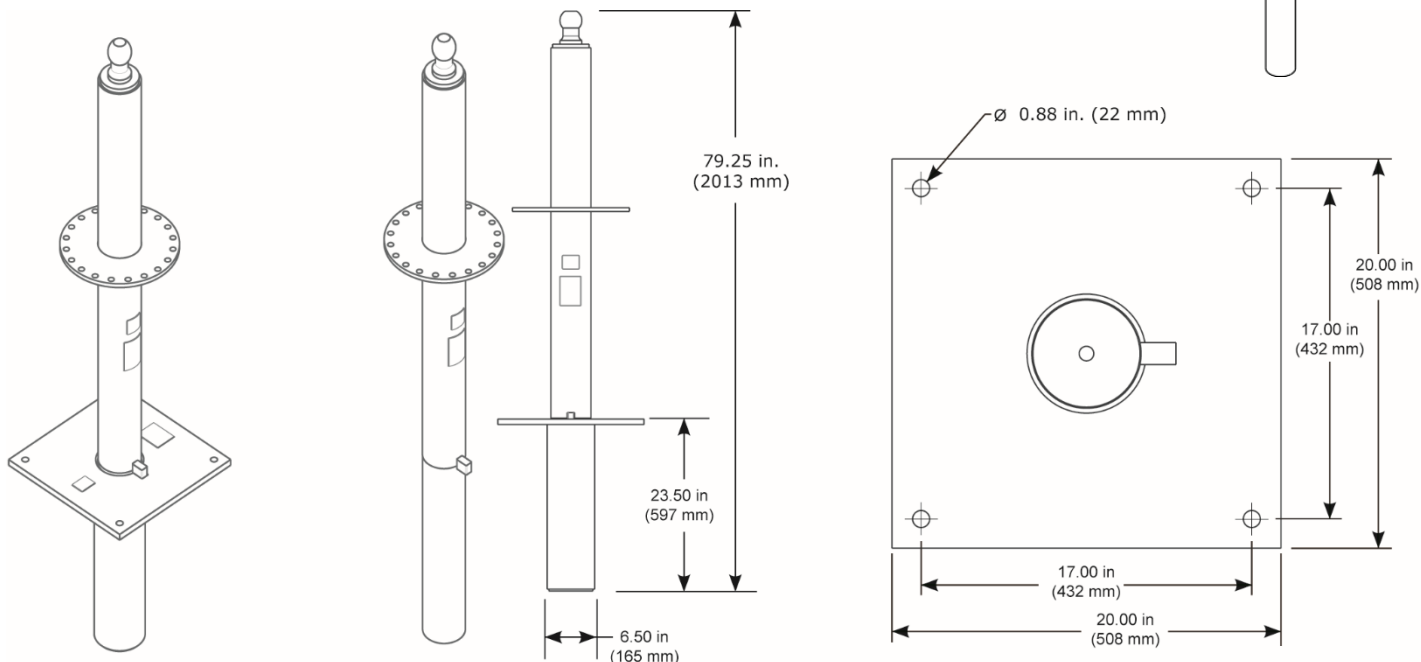
	Svars
8530920	140 lb. (64 kg)



	Svars
8530921	237 lb. (107 kg)



	Svars
8530889	377 lb. (171 kg)

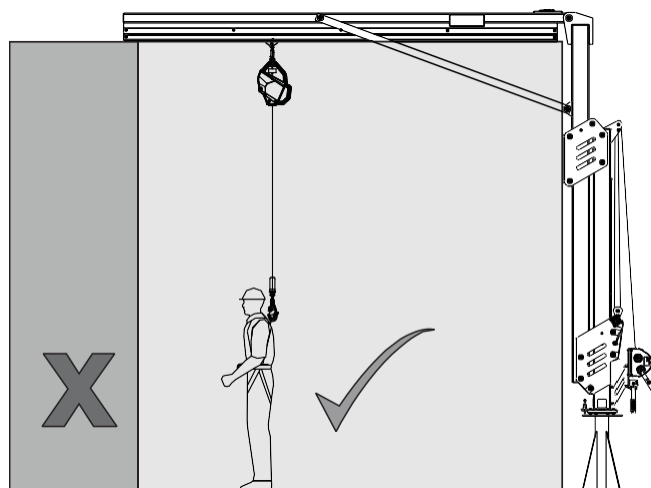
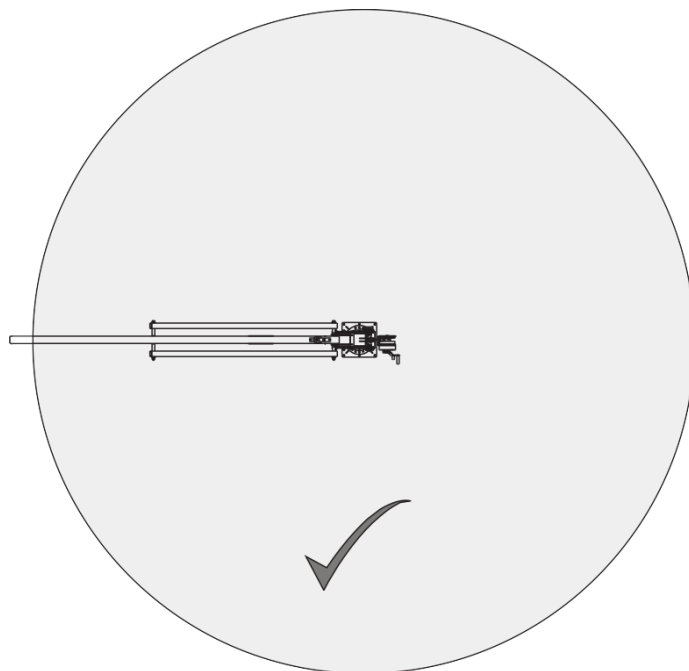


Komponentu Saraksts				
	Daļas Numurs	Apraksts	Materiāls	Daudzums
1	9515114	Lietotāja etiķete	Poliesters	1
2	9514429	ID etiķete	Poliesters	1
3	8550165	Bāzes vāciņš	Alumīnijs, gumija	1

Montāžas Prasības	
Montāžas Konstruktijas Minimālā Momentu Slodze	Montāžas Konstruktijas Minimālā Vertikālā Slodze
501,633 in-lb. (56,677 N-m)	3,320 lb. (1,506 kg) + Pamatnes svars + M200 izlīces strēles svars

PIELIETOJUMS:

Atsaucieties uz zemāk esošo diagrammu, lai uzzinātu produkta darba zonu.



Dakšas kabatas komplekts

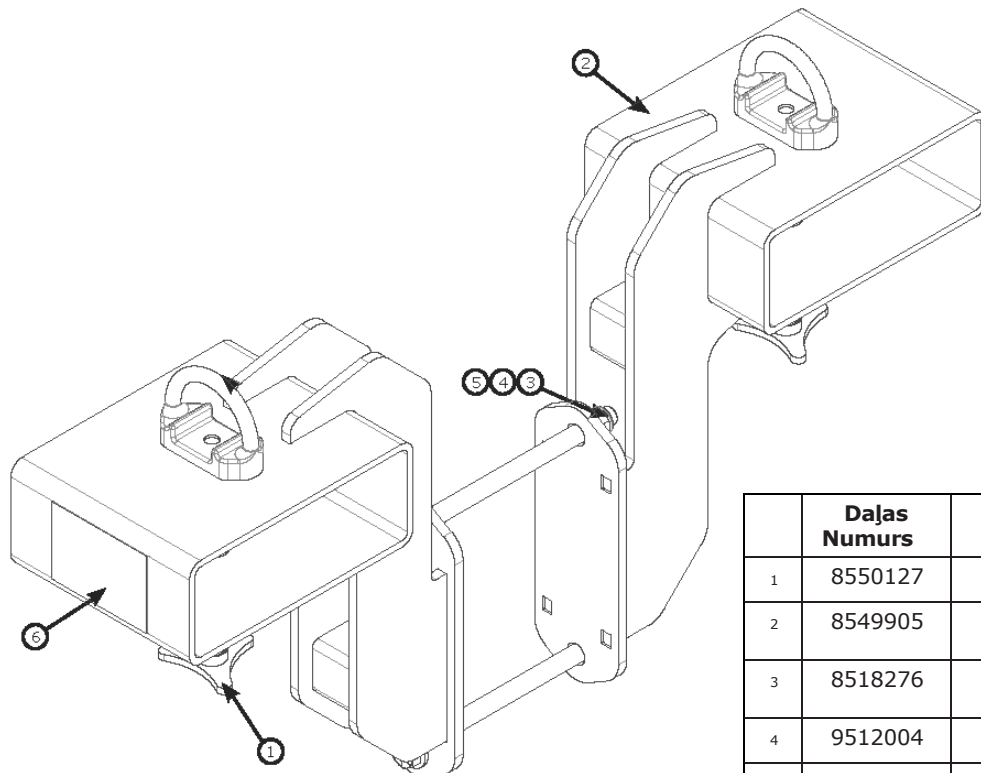
TEHNISKĀS DATU LAPA: 8530912



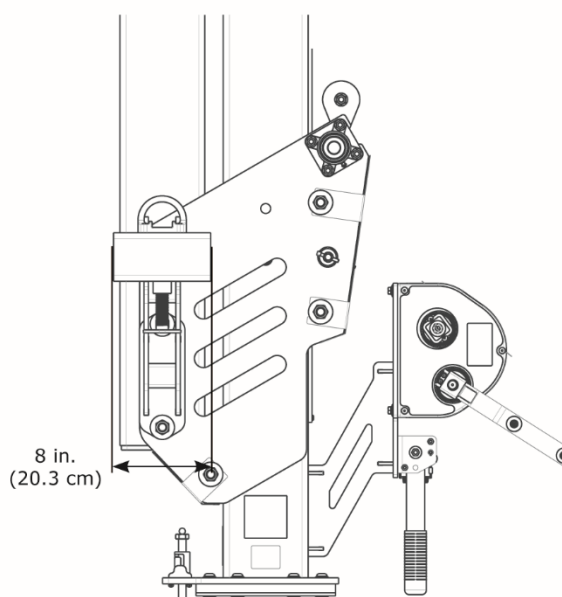
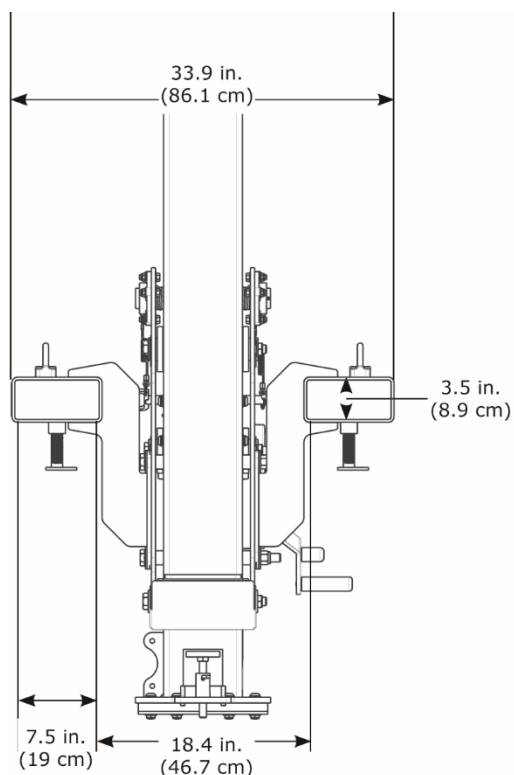
PIELIETOJUMS:

Šis dakšu kabatas komplekta modelis ir paredzēts vinčas darbināmo davita modeļu **8530891–8530898** transportēšanai.

Lai iegūtu vairāk informācijas par komponentu uzstādīšanu, skatiet 3M instrukciju rokasgrāmatu 5908372.



	Daļas Numurs	Apraksts	Daudzums
1	8550127	Trīs skrūves	2
2	8549905	Dakšas kabatas metinājums	2
3	8518276	3/4" sešstūra uzgrieznis	2
4	9512004	3/4" x 12" skrūve	2
5	M970033018	3/4" paplāksne	4
6	9515122	Lietotāja etiķete	1
	9500146	Ķēdes posms	2
	8517096	Ķēde	10 ft.



Dakšas kabatas komplekts

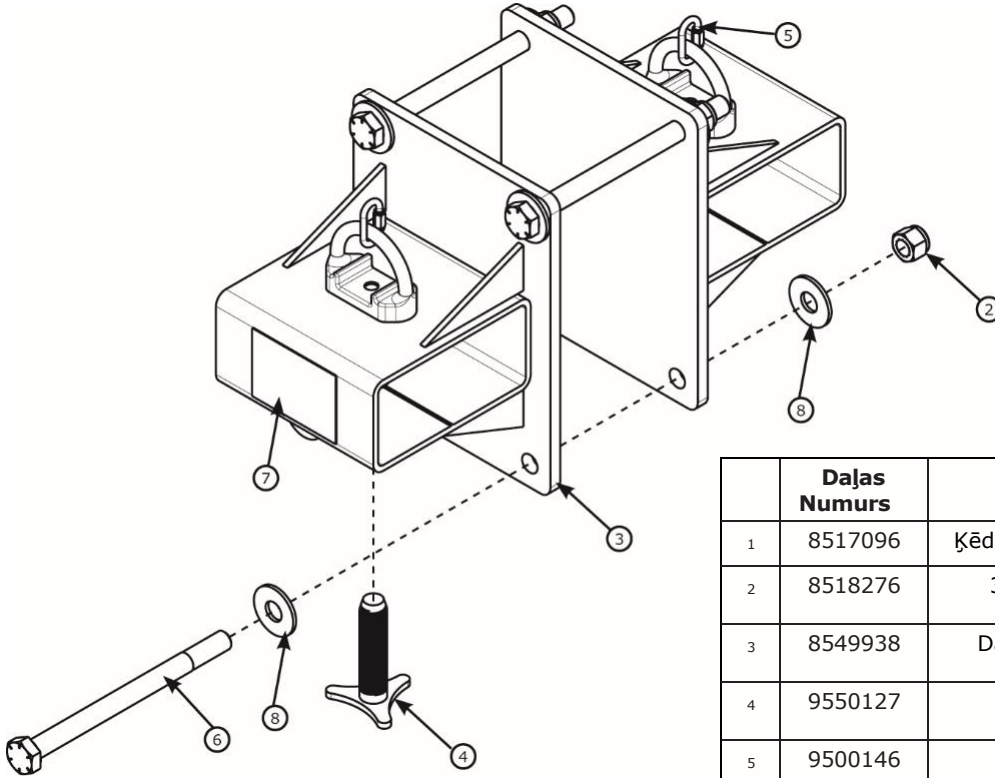
TEHNISKĀS DATU LAPA: 8530925



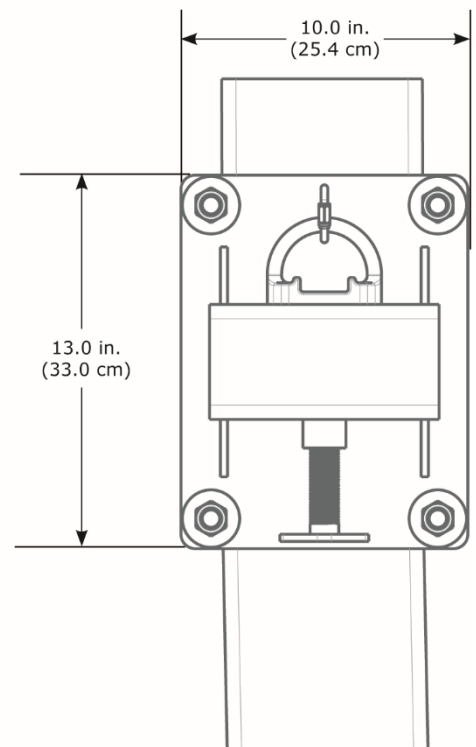
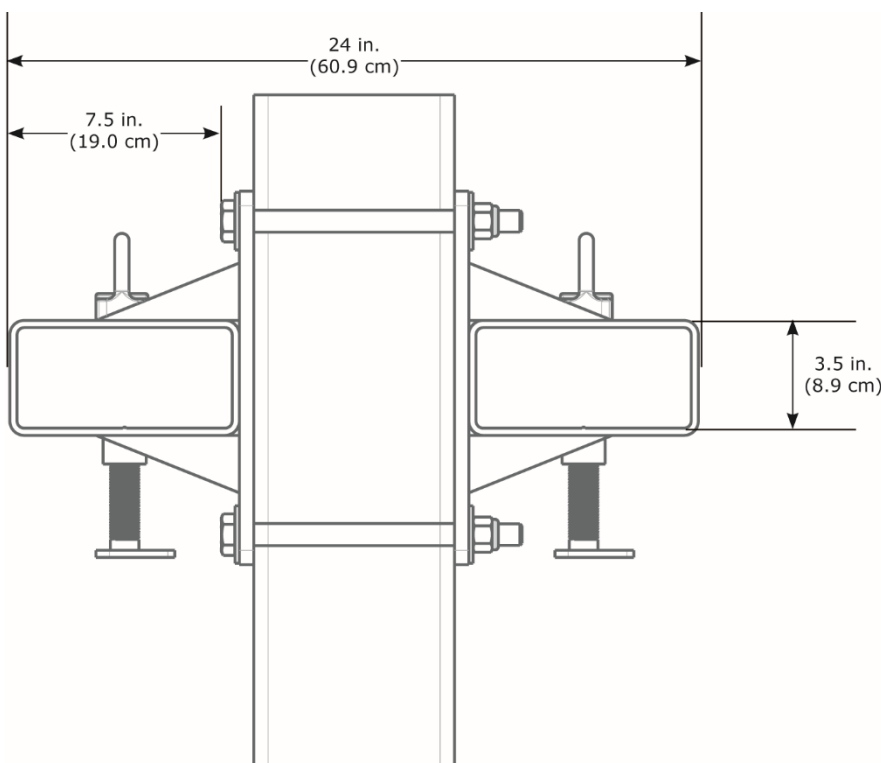
PIELIETOJUMS:

Šis dakšu kabatas komplekta modelis ir paredzēts davīta ar regulēšanas kanālu modeļu **8530899–8530904** transportēšanai.

Lai iegūtu vairāk informācijas par komponentu uzstādīšanu, skatiet 3M instrukciju rokasgrāmatu 5908372.



	Daļas Numurs	Apraksts	Daudzums
1	8517096	Ķēde (nav parādīta)	10 ft.
2	8518276	3/4" sešstūra uzgrieznis	4
3	8549938	Dakšas kabatas metinājums	2
4	9550127	Trīs skrūvju metinājums	2
5	9500146	Ātrā saite	2
6	9514294	3/4" sešstūra galvas skrūve	4
7	9515573	Brīdinājuma etiķete	1
8	M970033018	3/4" paplāksne	8



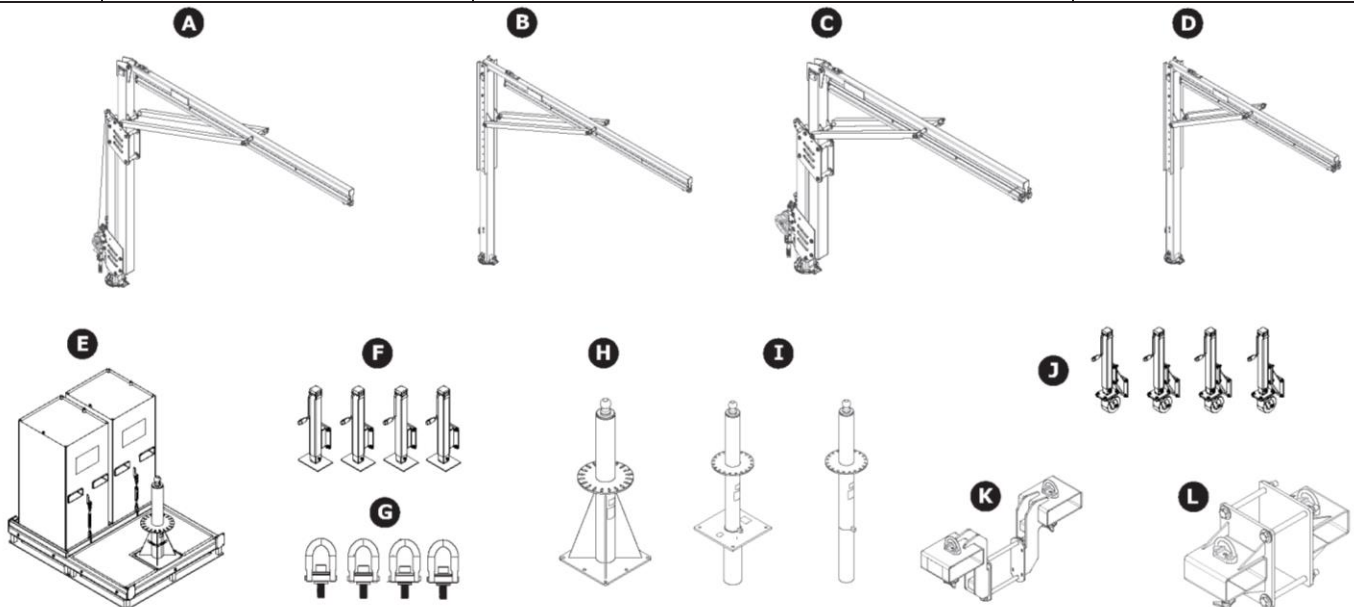


3M™ DBI-SALA® M200 Davit Systemen

Technisch Gegevensblad Pakket 5908526 Rev. D

Fall Protection

Oproep	Technisch gegevensblad	Beschrijving	Pagina
A	8530891	12,3 ft.–15 ft. (3,8 m–4,6 m) Verstelbare Davit	344
	8530892	14,8 ft.–20 ft. (4,5 m–6,1 m) Verstelbare Davit	344
	8530893	17,3 ft.–25 ft. (5,3 m–7,6 m) Verstelbare Davit	344
	8530894	19,8 ft.–30 ft. (6,1 m–9,1 m) Verstelbare Davit	344
B	8530899	15 ft.–20 ft. (4,6 m–6,1 m) Semi-Vaste Davit	346
	8530900	20 ft.–25 ft. (6,1 m–7,6 m) Semi-Vaste Davit	346
	8530901	25 ft.–30 ft. (7,6 m–9,1 m) Semi-Vaste Davit	346
C	8530895	12,3 ft.–15 ft. (3,8 m–4,6 m) Verstelbare Davit	348
	8530896	14,8 ft.–20 ft. (4,5 m–6,1 m) Verstelbare Davit	348
	8530897	17,3 ft.–25 ft. (5,3 m–7,6 m) Verstelbare Davit	348
	8530898	19,8 ft.–30 ft. (6,1 m–9,1 m) Verstelbare Davit	348
D	8530902	15 ft.–20 ft. (4,6 m–6,1 m) Semi-Vaste Davit	350
	8530903	20 ft.–25 ft. (6,1 m–7,6 m) Semi-Vaste Davit	350
	8530904	25 ft.–30 ft. (7,6 m–9,1 m) Semi-Vaste Davit	350
E	8530886	Ongevulde Contragewicht Basis	352
	8530887	Gevulde Contragewicht Basis	352
F	8530907	Contragewicht Basis Krikken	354
G	8530777	Contragewicht Basis Hefringen	354
H	8530888	Vloermontage Basis	356
I	8530889, 8530920, 8530921	Vlakke Montage Basis	357
J	8530908	Contragewicht Basis Wielen	354
K	8530912	Vorkzak Kit	359
L	8530925	Vorkzak Kit	360



Verstelbare Davit

TECHNISCH GEGEVENSBLAD: 8530891-8530894



TOEPASSING:

De davit is ontworpen om bevestigingspunten te bieden voor een valbeveiligingssysteem.

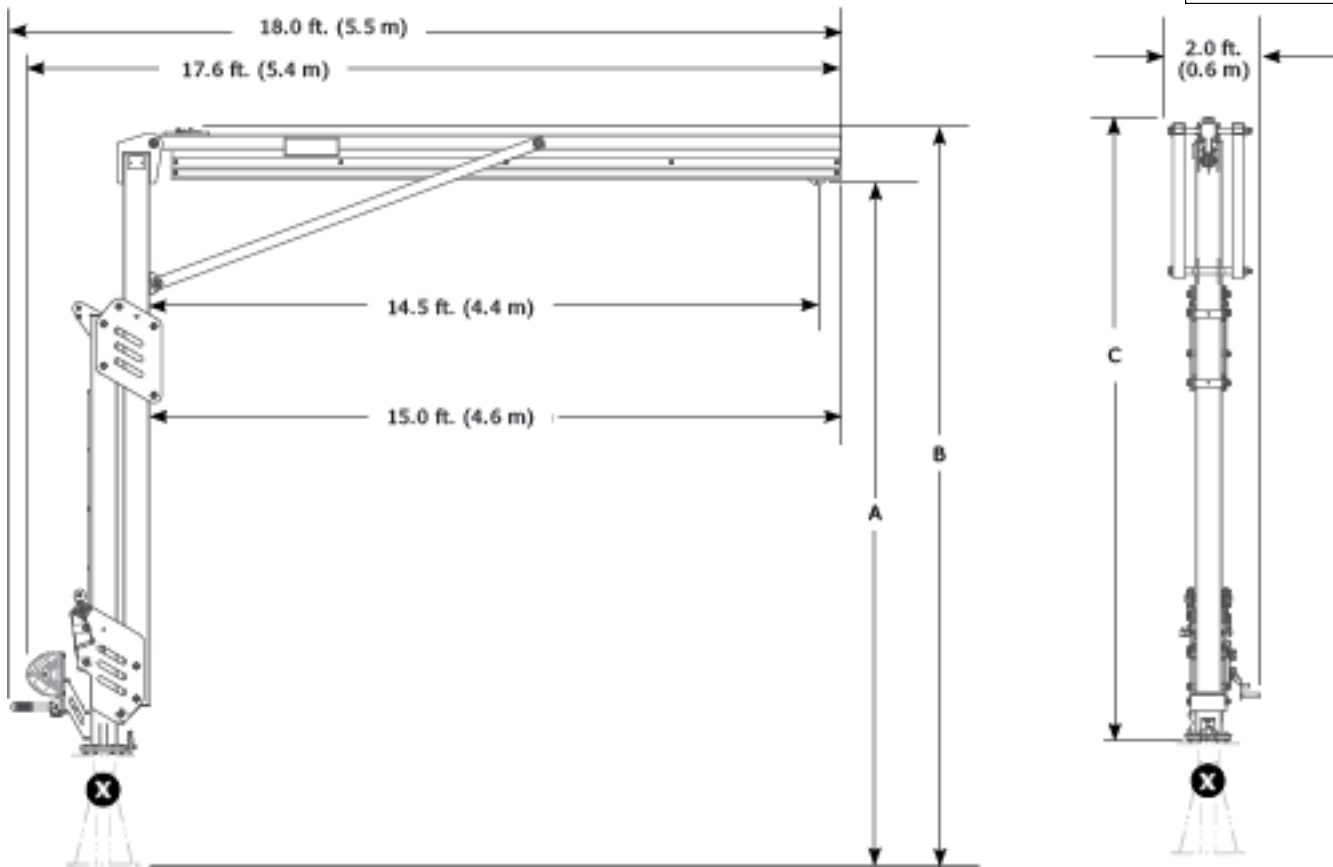
Voor meer informatie over de installatie van het product, raadpleeg de gebruikersinstructies.

Normen: EN795:2012 Type E, OSHA 1910.140, OSHA 1926.502

≤ 1350 lb.
(6 kN)

≤ 310 lb.
(140 kg)

1x



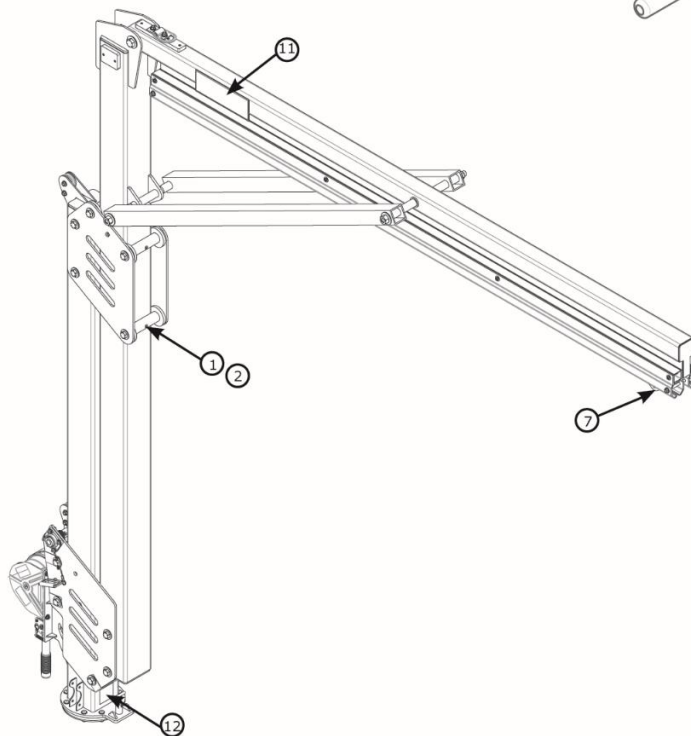
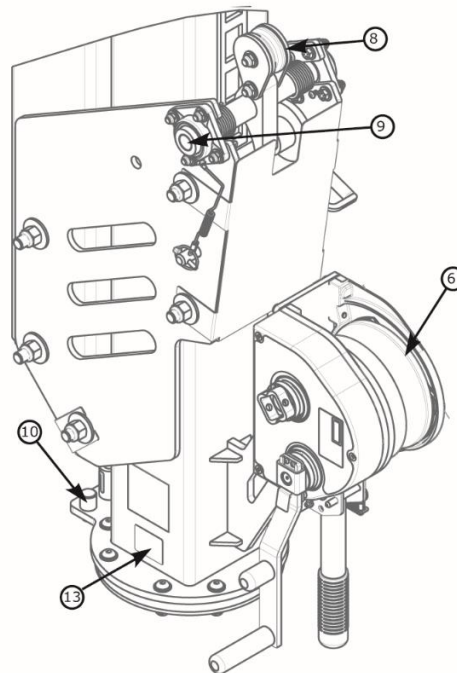
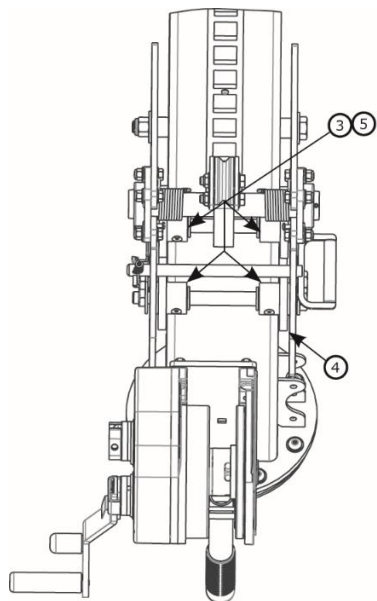
	A	B	C	lb. (kg)
8530891	12.3 ft. – 15.0 ft. (3.8 m – 4.6 m)	13.4 ft. – 16.1 ft. (4.1 m – 4.9 m)	9.8 ft. – 14.8 ft. (3.0 m – 4.5 ft.)	945 lb. (429 kg)
8530892	14.8 ft. – 20.0 ft. (4.5 m – 6.1 m)	15.9 ft. – 21.1 ft. (4.8 m – 6.4 m)	13.5 ft. – 18.7 ft. (4.1 m – 5.7 m)	1,057 lb. (479 kg)
8530893	17.3 ft. – 25.0 ft. (5.3 m – 7.6 m)	18.4 ft. – 26.1 ft. (5.6 m – 8.0 m)	16.0 – 23.7 ft. (4.9 m – 7.2 m)	1,169 lb. (530 kg)
8530894	19.8 ft. – 30.0 ft. (6.0 m – 9.1 m)	20.9 ft. – 31.1 ft. (6.4 m – 9.5 m)	18.5 ft. – 28.7 ft. (5.6 m – 8.7 m)	1,281 lb. (581 kg)

Verstelbare Davit Componenten

TECHNISCH GEGEVENSBLAD: 8530891-8530894



Fall Protection



Componentenlijst				
	Onderdeel nummer	Beschrijving	Materiaal	Hoeveelheid
1	8550046	Brede Roller	Nylon	3
2	8550047	Brede Roller Spacer	304 Roestvrij Staal	3
3	8550327	Smalle Roller	Nylon	2
4	9514703	Zijroller	Nylon	8
5	8550213	Smalle Roller Spacer	304 Roestvrij Staal	2
6	8549930	Lier	Staal	1
7	8521711	Trolley	Staal, Nylon	1

Componentenlijst				
	Onderdeelnnummer	Beschrijving	Materiaal	Hoeveelheid
8	8550223	Vergrendelingsmechanisme (alleen geautoriseerde reparatie)	Staal, Nylon	1
9	9515138	Lagers	Staal	2
10	8550398	Rotatiestop	Aluminium	2
11	9515111	3M Label	Polyester	2
12	9515101	Rotatielabel	Polyester	1
13	9514429	ID Label	Polyester	1
14	9515112	Gebruikerslabel	Polyester	1

Semi-Vaste Davit

TECHNISCH GEGEVENSBLAD: 8530899-8530901




Fall Protection


TOEPASSING:

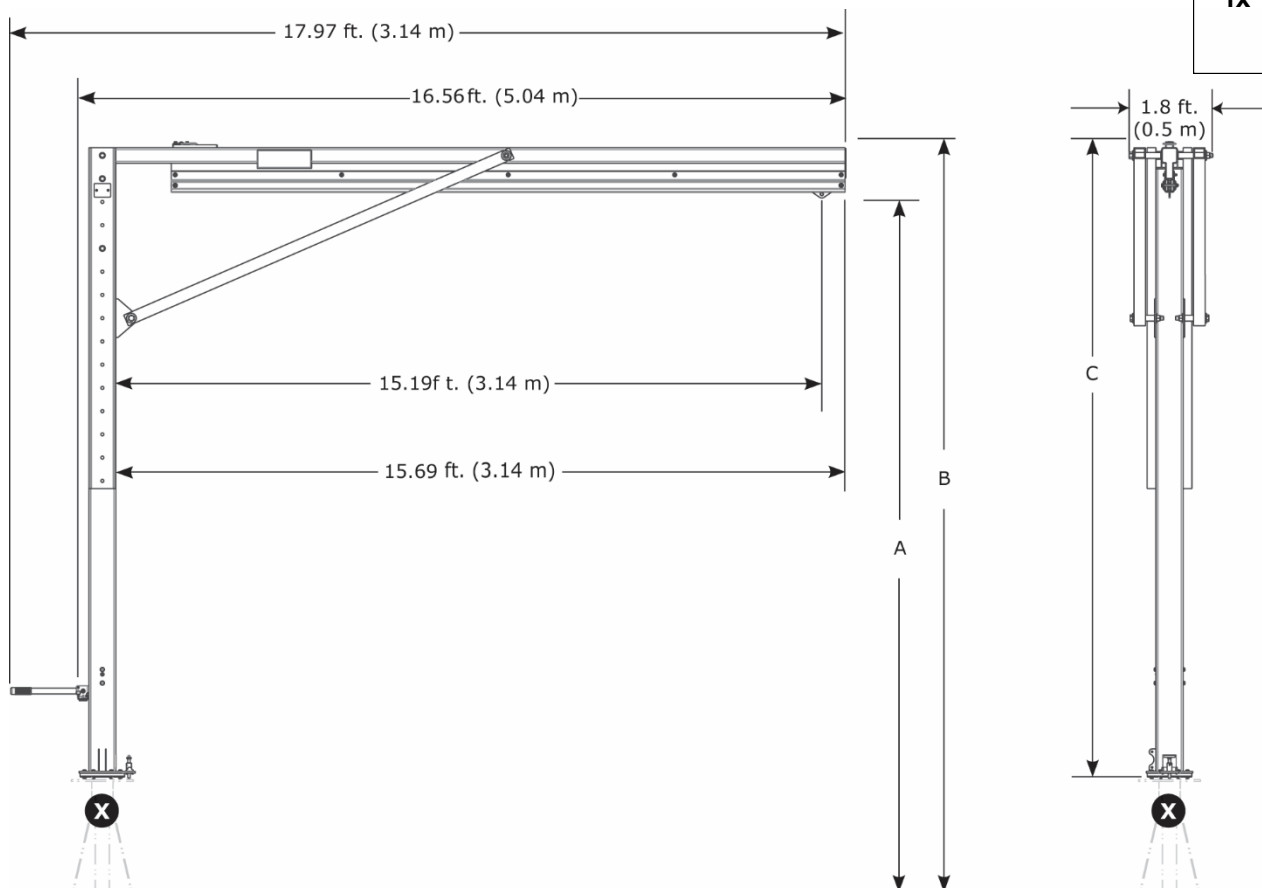
De davit is ontworpen om bevestigingspunten te bieden voor een valbeveiligingssysteem.

Voor meer informatie over de installatie van het product, raadpleeg de gebruikersinstructies.

Normen: EN795:2012 Type E, OSHA 1910.140, OSHA 1926.502


≤ 1350 lb.
(6 kN)

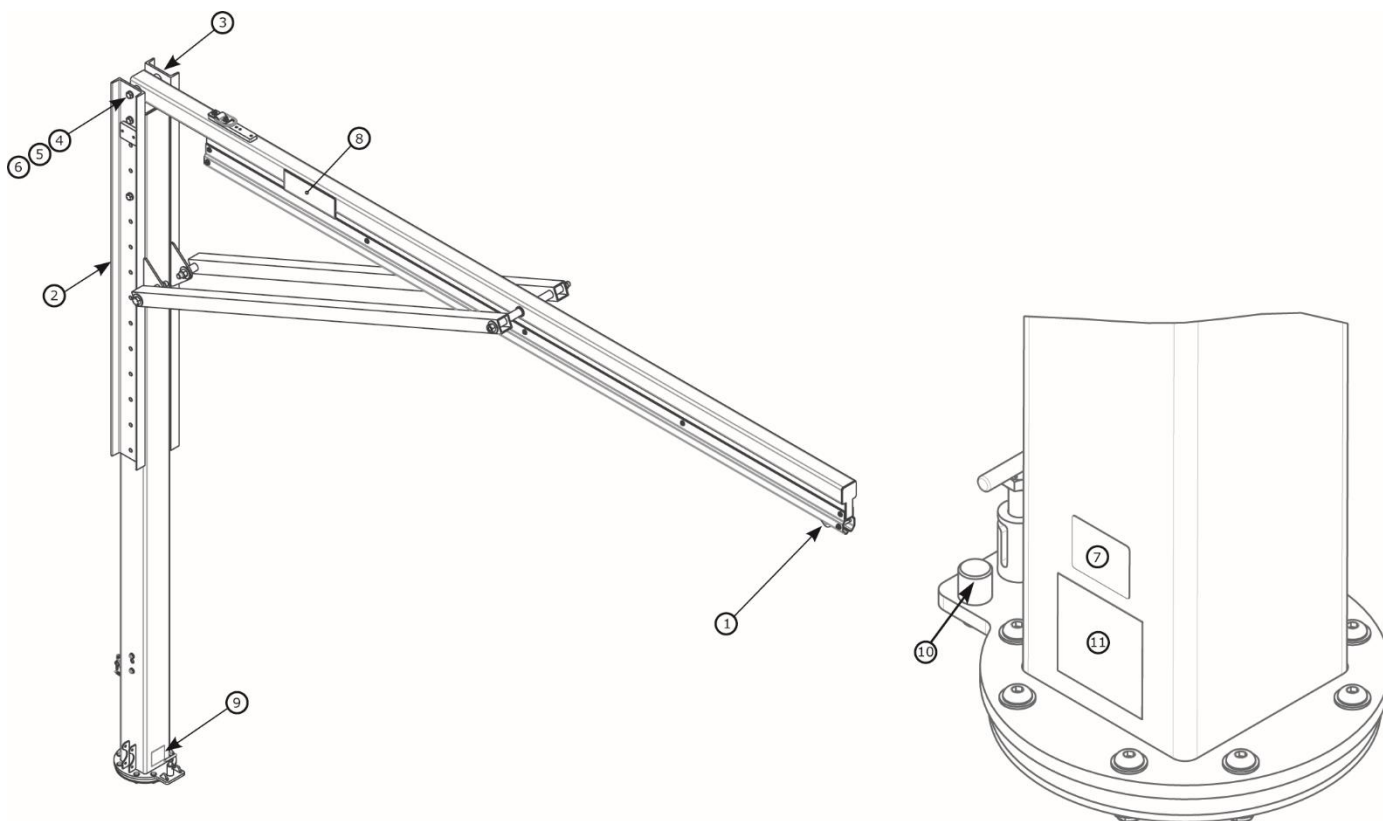
1x

≤ 310 lb.
(140 kg)



	A	B	C	lb. (kg)
8530899	15.0 ft. – 20.0 ft. (4.6 m – 6.1 m)	16.1 ft. – 21.1 ft. (4.9 m – 6.4 m)	13.7 ft. – 18.7 ft. (4.2 m – 5.7 m)	818 lb. (371 kg)
8530900	20.0 ft. – 25.0 ft. (6.1 m – 7.6 m)	21.1 ft. – 26.1 ft. (6.4 m – 7.9 m)	18.7 ft. – 23.7 ft. (5.7 m – 7.2 m)	930 lb. (422 kg)
8530901	25.0 ft. – 30.0 ft. (7.6 m – 9.1 m)	26.1 ft. – 31.1 ft. (7.9 m – 9.6 m)	23.7 ft. – 28.7 ft. (7.2 m – 8.7 m)	1,041 lb. (472 kg)
+6" (152 mm) Aanpassingsstappen				

Semi-Vaste Davit Componenten

TECHNISCH GEGEVENSBLAD: 8530899-8530901



	Onderdeelnnummer	Beschrijving	Materiaal	Hoeveelheid
1	8521711	Trolley	Roestvrij Staal, Staal, Nylon	1
2	8549933	Reddingsmontagekanaal	Staal	1
3	8550248	Kanaal	Staal	1
4	8526654	3/4" x 9" Bout	Staal	2
5	8522275	3/4" Ring	Staal	4
6	8518276	3/4" Moer	Staal	2
7	9514429	ID Label	Polyester	1

	Onderdeelnnummer	Beschrijving	Materiaal	Hoeveelheid
8	9515111	3M Label	Polyester	2
9	9515101	Rotatielabel	Polyester	1
10	8550398	Rotatiestop	Aluminium	2
11	9515112	Gebruikerslabel	Polyester	1

Verstelbare Davit

TECHNISCH GEGEVENSBLAD: 8530895-8530898





TOEPASSING:

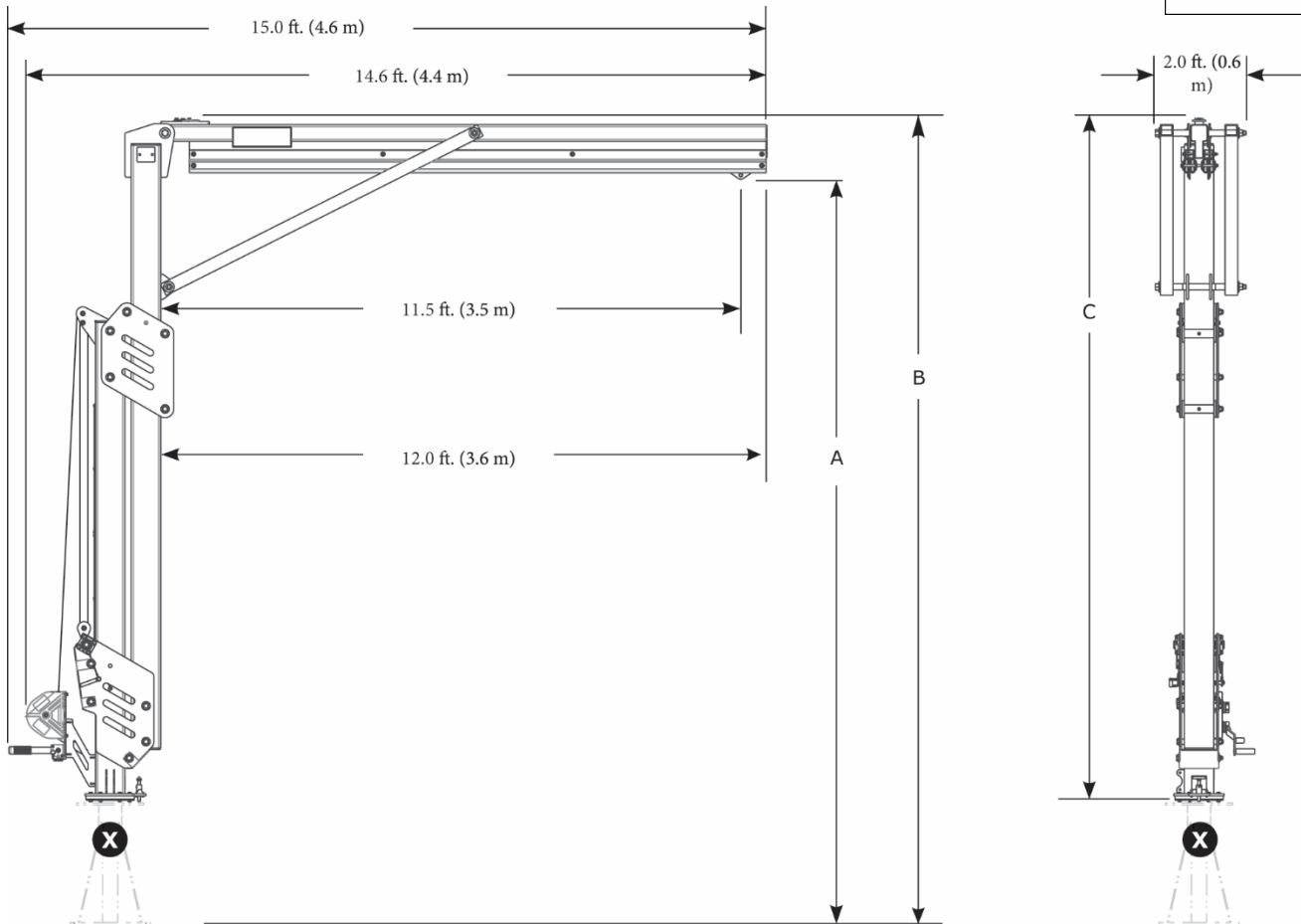
De davit is ontworpen om bevestigingspunten te bieden voor een valbeveiligingssysteem.

Voor meer informatie over de installatie van het product, raadpleeg de gebruikersinstructies.

Normen: CEN/TS 16415:2013 Type E, EN795:2012 Type E, OSHA 1910.140, OSHA 1926.502


≤ 1350 lb.
(6 kN)

2x

≤ 310 lb.
(140 kg)



	A	B	C	lb. (kg)
8530895	12.3 ft. - 15.0 ft. (3.8 m - 4.6 m)	13.4 ft. - 16.1 ft. (4.1 m - 4.9 m)	11.0 ft. - 13.7 ft. (3.4 m - 4.2 ft.)	1,011 lb. (459 kg)
8530896	14.8 ft. - 20.0 ft. (4.5 m - 6.1 m)	15.9 ft. - 21.1 ft. (4.8 m - 6.4 m)	13.5 ft. - 18.7 ft. (4.1 m - 5.7 m)	1,123 lb. (509 kg)
8530897	17.3 ft. - 25.0 ft. (5.3 m - 7.6 m)	18.4 ft. - 26.1 ft. (5.6 m - 8.0 m)	16.0 - 23.7 ft. (4.9 m - 7.2 m)	1,235 lb. (560 kg)
8530898	19.8 ft. - 30.0 ft. (6.0 m - 9.1 m)	20.9 ft. - 31.1 ft. (6.4 m - 9.5 m)	18.5 ft. - 28.7 ft. (5.6 m - 8.7 m)	1,343 lb. (609 kg)

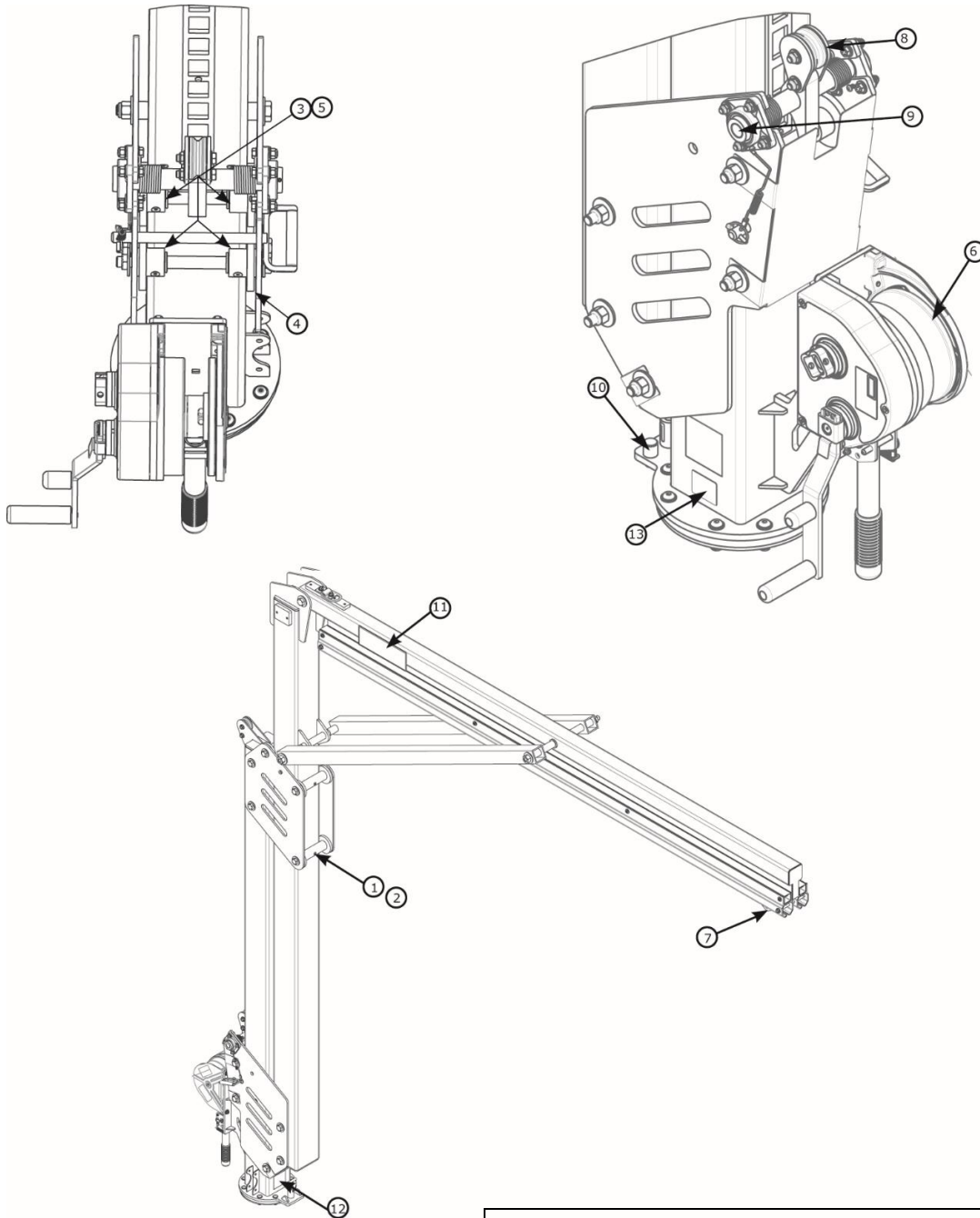
Verstelbare Davit Componenten

TECHNISCH GEGEVENSBLAD: 8530895-8530898

3M

**DBI
SALA**

Fall Protection



Componentenlijst				
	Onderdeelnummer	Beschrijving	Materiaal	Hoeveelheid
1	8550046	Brede Roller	Nylon	3
2	8550047	Brede Roller Spacer	304 Roestvrij Staal	3
3	8550327	Smalle Roller	Nylon	2
4	9514703	Zijroller	Nylon	8
5	8550213	Smalle Roller Spacer	304 Roestvrij Staal	2
6	8549930	Lier	Staal	1
7	8521711	Trolley	Staal, Nylon	1

Componentenlijst				
	Onderdeelnummer	Beschrijving	Materiaal	Hoeveelheid
8	8550223	Vergrendelingsmechanisme (alleen geautoriseerde reparatie)	Staal, Nylon	1
9	9515138	Lagers	Staal	2
10	8550398	Rotatiestop	Aluminium	2
11	9515111	3M Label	Polyester	2
12	9515101	Rotatielabel	Polyester	1
13	9514429	ID Label	Polyester	1
14	9515112	Gebruikerslabel	Polyester	1

Semi-Vaste Davit

TECHNISCH GEGEVENSBLAD: 8530902-8530904




TOEPASSING:


De davit is ontworpen om bevestigingspunten te bieden voor een valbeveiligingssysteem.

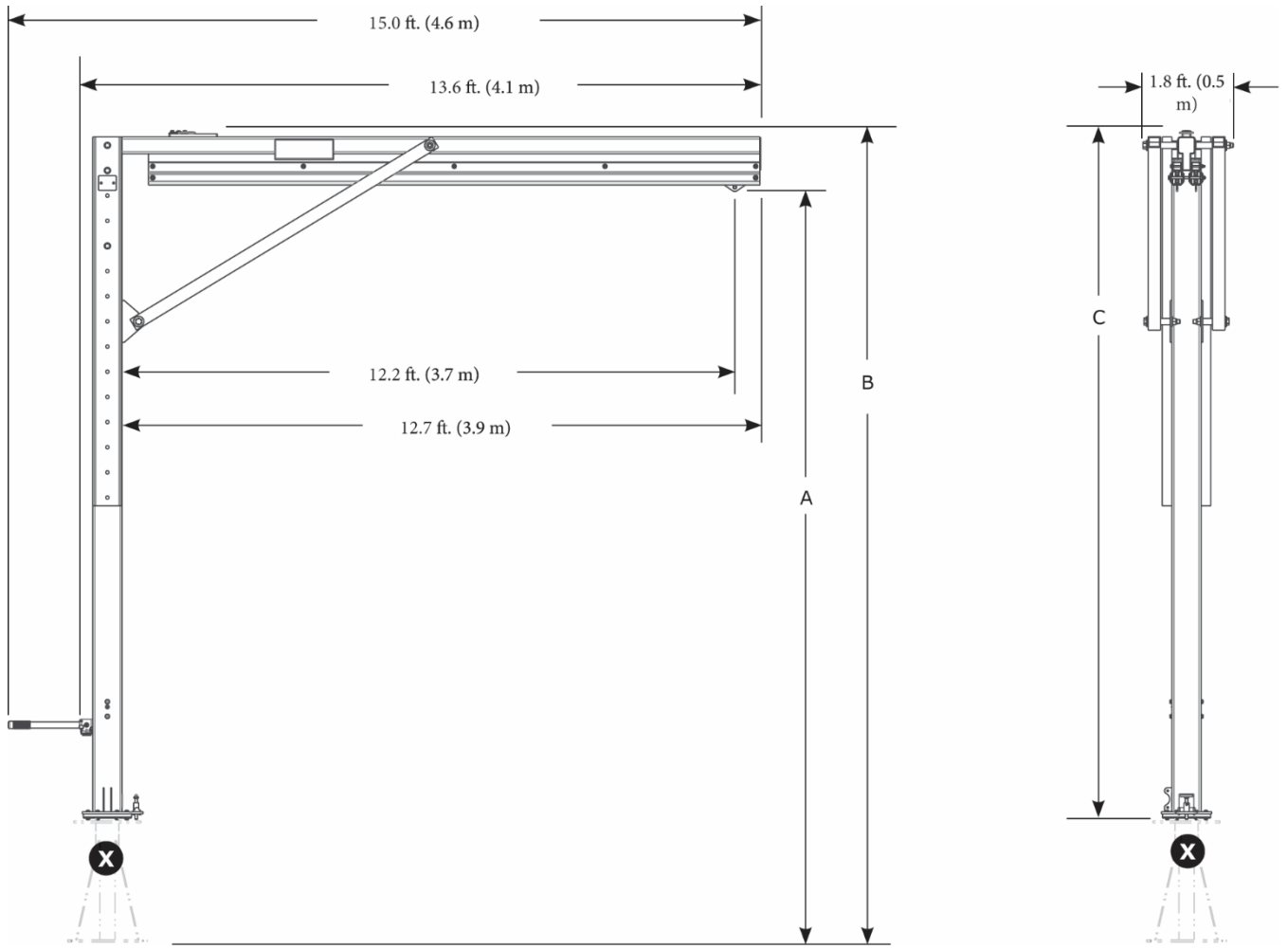
Voor meer informatie over de installatie van het product, raadpleeg de gebruikersinstructies.

Normen: CEN/TS 16415:2013 Type E, EN795:2012 Type E, OSHA 1910.140, OSHA 1926.502

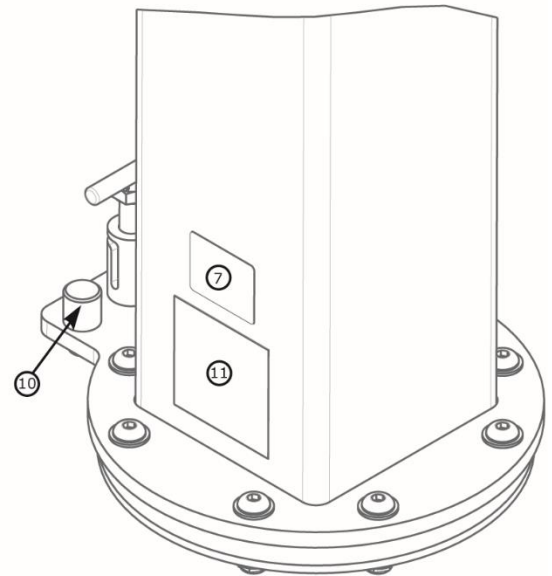
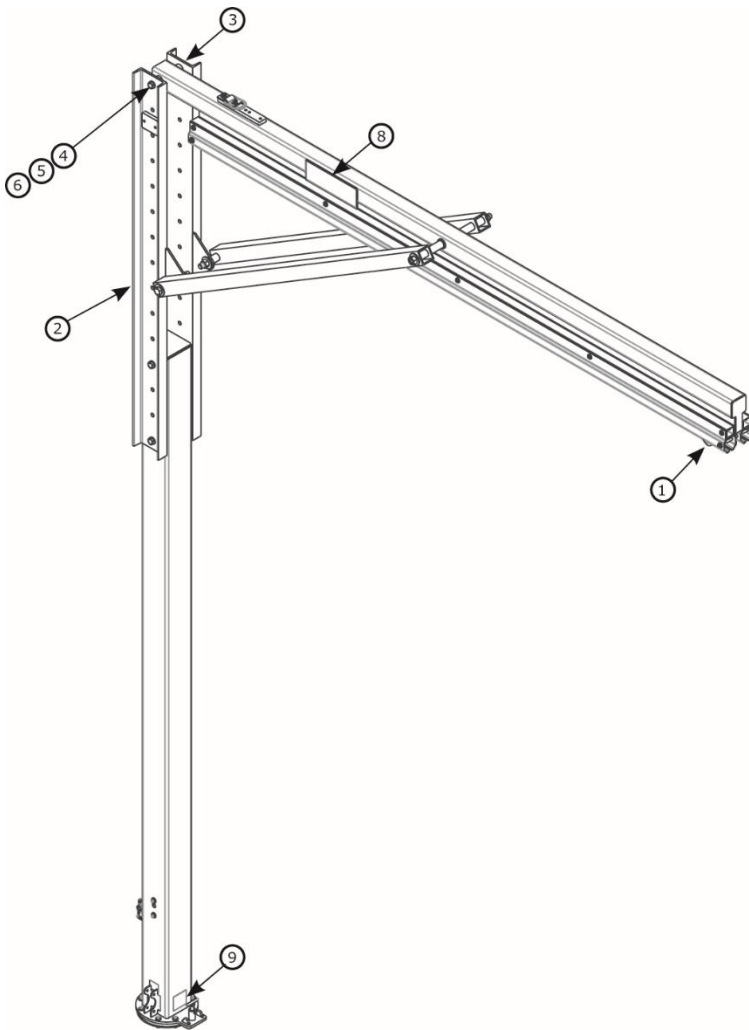


≤ 1350 lb.
(6 kN)

2x  ≤ 310 lb.
(140 kg)



	A	B	C	lb. (kg)
8530902	15.0 ft. – 20.0 ft. (4.6 m – 6.1 m)	16.1 ft. – 21.1 ft. (4.9 m – 6.4 m)	13.7 ft. – 18.7 ft. (4.2 m – 5.7 m)	850 lb. (386 kg)
8530903	20.0 ft. – 25.0 ft. (6.1 m – 7.6 m)	21.1 ft. – 26.1 ft. (6.4 m – 7.9 m)	18.7 ft. – 23.7 ft. (5.7 m – 7.2 m)	961 lb. (436 kg)
8530904	25.0 ft. – 30.0 ft. (7.6 m – 9.1 m)	26.1 ft. – 31.1 ft. (7.9 m – 9.6 m)	23.7 ft. – 28.7 ft. (7.2 m – 8.7 m)	1,073 lb. (487 kg)



	Onderdeelnummer	Beschrijving	Materiaal	Hoeveelheid
1	8521711	Trolley	Roestvrij Staal, Staal, Nylon	1
2	8549933	Reddingsmontagekanaal	Staal	1
3	8550248	Kanaal	Staal	1
4	8526654	3/4" x 9" Bout	Staal	2
5	8522275	3/4" Ring	Staal	4
6	8518276	3/4" Moer	Staal	2
7	9514429	ID Label	Polyester	1

	Onderdeelnummer	Beschrijving	Materiaal	Hoeveelheid
8	9515111	3M Label	Polyester	2
9	9515101	Rotatielabel	Polyester	1
10	8550398	Rotatiestop	Aluminium	2
11	9515112	Gebbruikerslabel	Polyester	1

M200 Contragewicht Basis

TECHNISCH GEGEVENSBLAD: 8530886, 8530887



TOEPASSING:

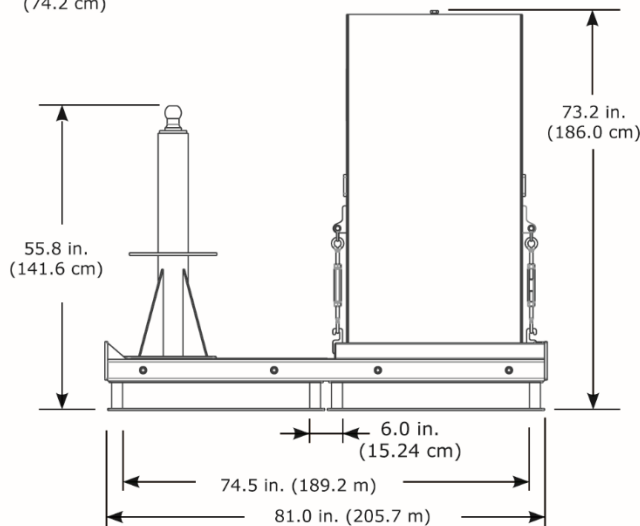
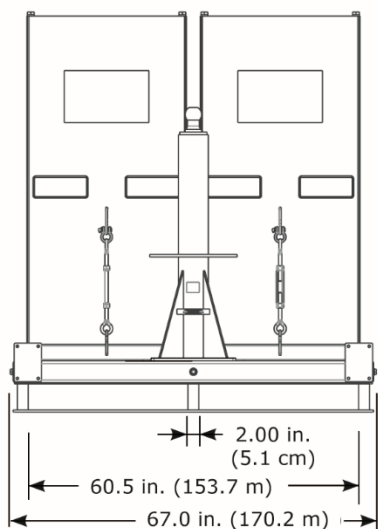
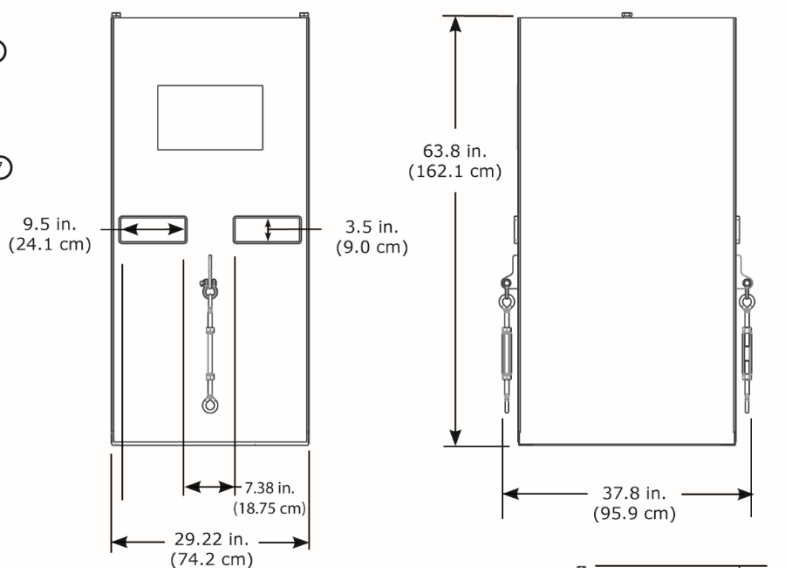
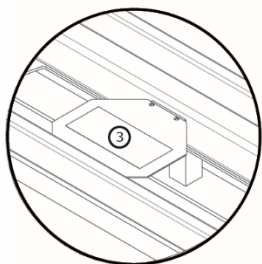
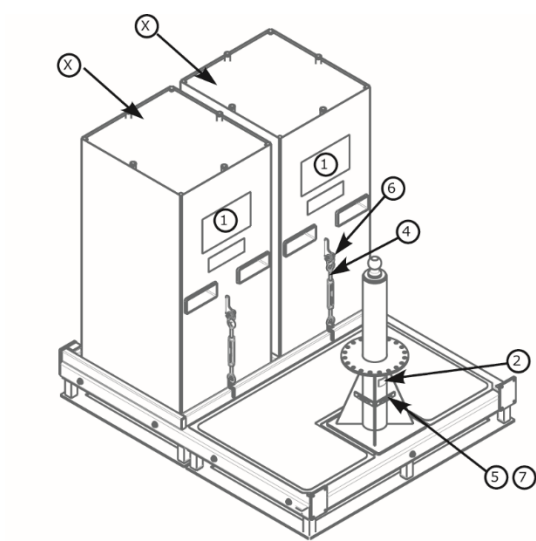
De davitbasis is ontworpen om te worden gebruikt als bevestigingspunt voor het davitsysteem.

Voor meer informatie over de installatie van het product, raadpleeg de gebruikersinstructies.

Normen: CEN/TS 16415:2013 Type E, EN795:2012 Type E, OSHA 1910.140, OSHA 1926.502

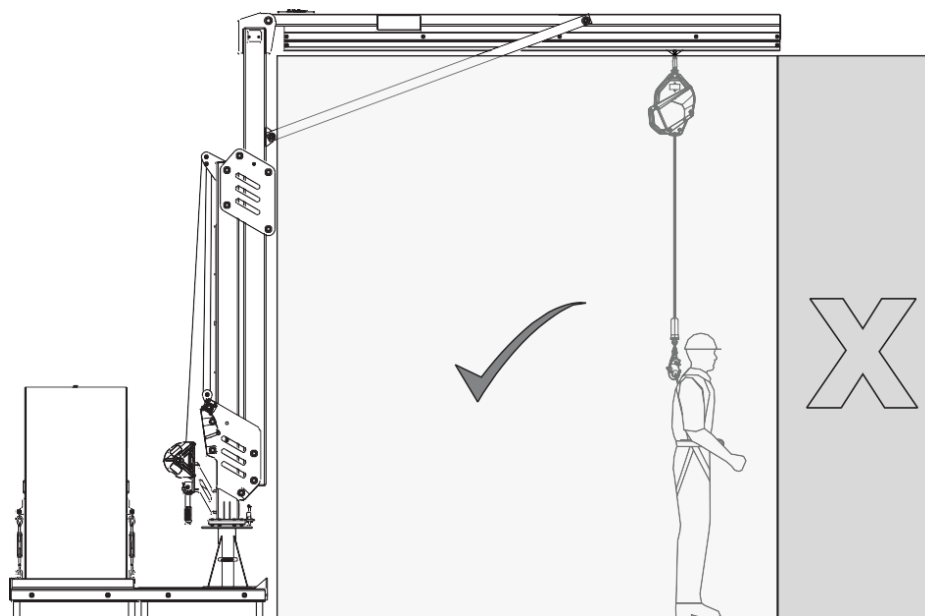
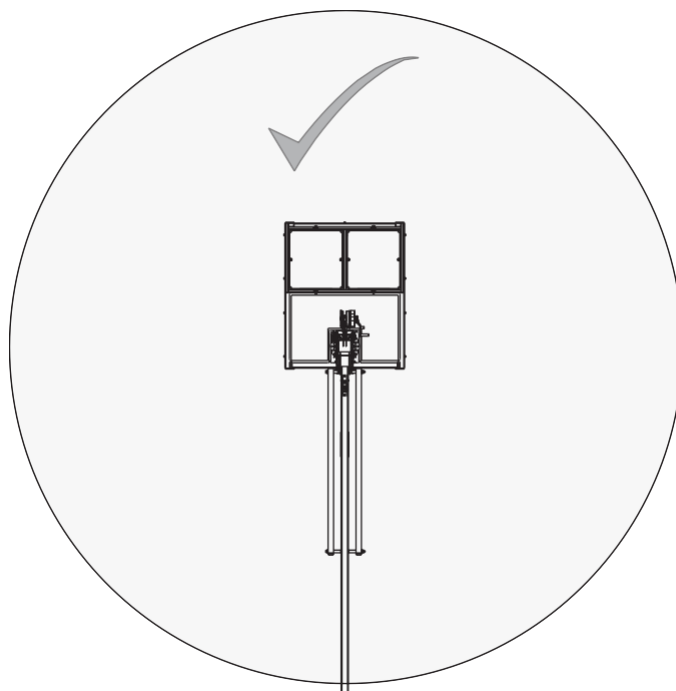
	X 4,000 psi (30 MPa)	Vereisten voor Rustende Structuur	Gewicht
8530886		14,645 lb. (6,643 kg)	2,407 lb. (1,092 kg)
8530887	✓	+ Gewicht van M200 Giekarm	11,325 lb. (5,137 kg)

Componentenlijst				
	Onderdeelnummer	Beschrijving	Materiaal	Hoeveelheid
1	9515107	Gebruikerslabel	Polyester	1
2	9514429	ID Label	Polyester	1
3	9515106	Waarschuingslabel	Polyester	1
4	8520575	Spanschroef	Staal	2
5	9513627	#4 Schroef	Staal	4
6	9501794	Beugel	Staal	2
7	9515058	Waterpasbel	Plastic	2
8	9515566	Waarschuingslabel	Polyester	4



TOEPASSING:

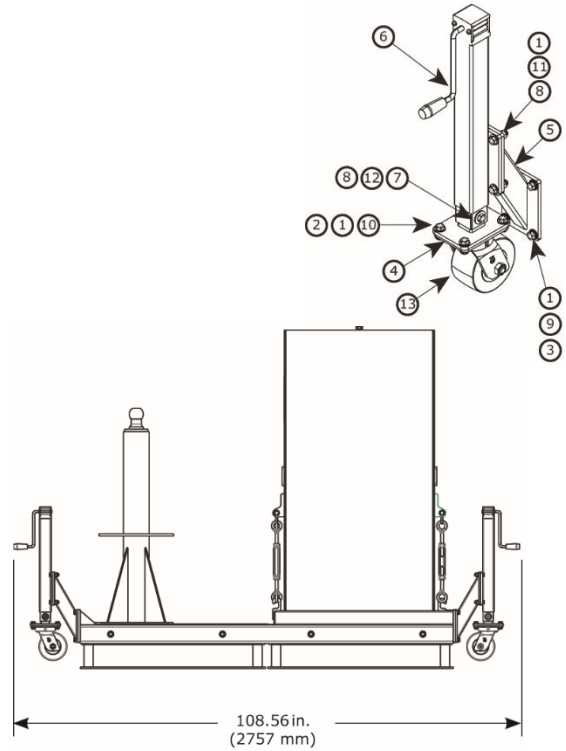
Raadpleeg de onderstaande diagram voor het werkgebied van het product.



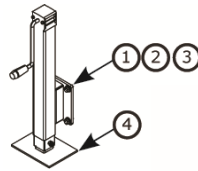
Accessoires voor M200 Contragewicht Basis
TECHNISCH GEGEVENSBLAD: 8530907, 8530908, 8530777



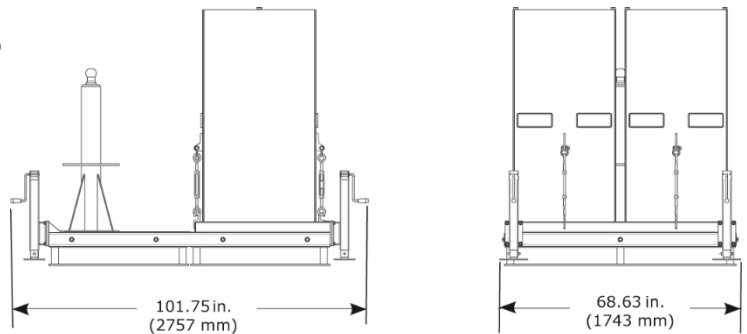
Componentenlijst				
	Onderdeelnummer	Beschrijving	Materiaal	Hoeveelheid
1	8510037	1/2" Ring	Staal	80
2	8512460	1/2" x 1 1/4" Bout	Staal	16
3	8518432	1/2" x 1" Bout	Staal	16
4	8550153	Wielconstructie	Staal	4
5	8550155	Hoekconstructie	Staal	4
6	8550156	Gemonteerde Constructie	Staal	4
7	9501243	1/2" Ring	Staal	8
8	9501831	1/2" Zeskantmoer	Staal	20
9	9504221	1/2" Ring	Staal	16
10	9504813	1/2" Zeskantmoer	Staal	16
11	9509276	1/2" x 1 3/4" Bout	Staal	16
12	9510153	1/2" x 3 1/4" Bout	Staal	4
13	9515081	Zwenkwiel	Staal, Urethaan	4



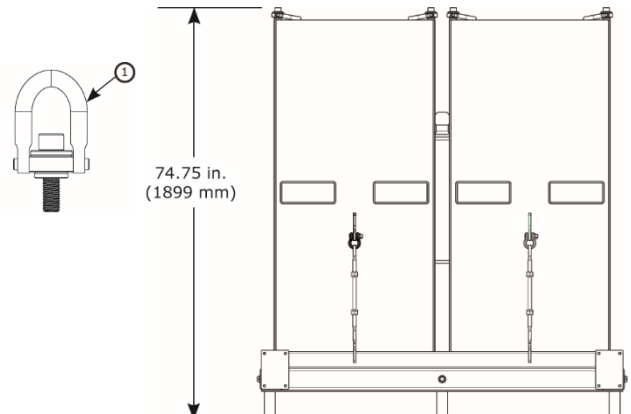
	8530907	8530908	8530777
Gewicht	108 lb. (49 kg)	152 lb. (69 kg)	12 lb. (5.4 kg)



	Onderdeelnummer	Beschrijving	Materiaal	Hoeveelheid
1	9504221	1/2" Borgingring	Staal	16
2	8510037	1/2" Ring	Staal	16
3	8518432	1/2" x 1" Bout	Staal	16
4	8550177	Wielconstructie	Staal	4




Componentenlijst				
	Onderdeelnummer	Beschrijving	Materiaal	Hoeveelheid
1	9512574	Hefring	Staal	4




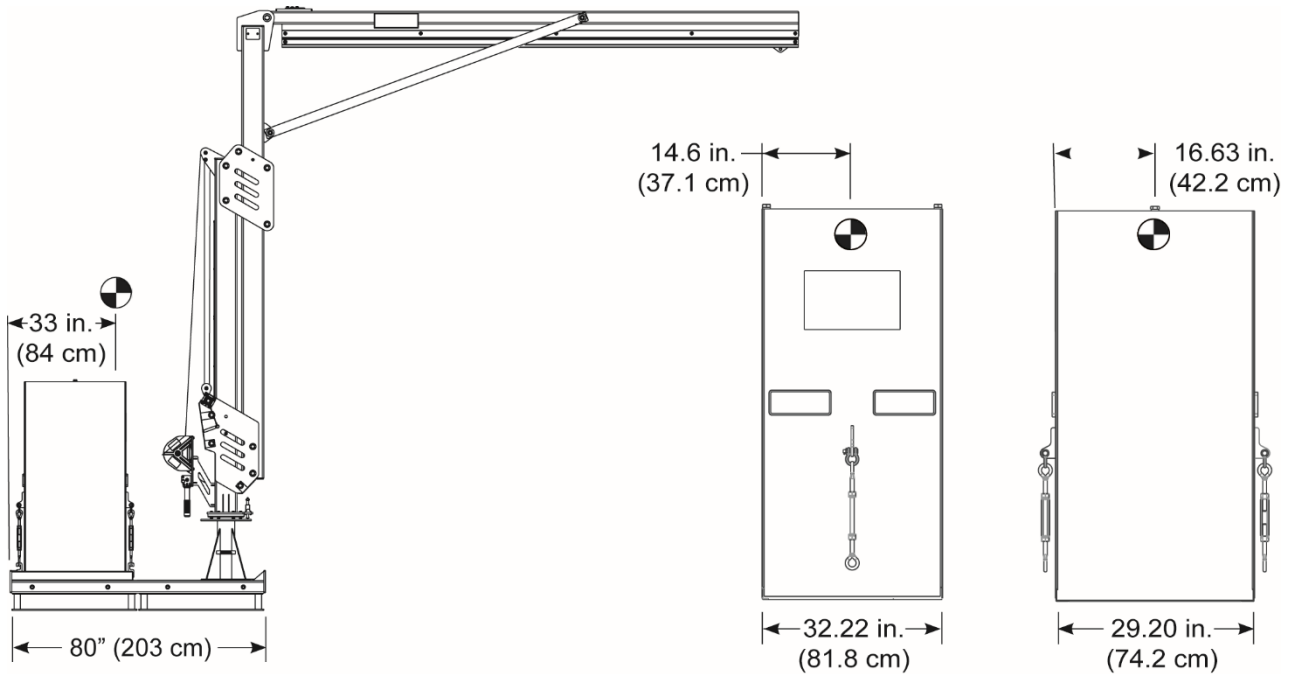
Zwaartepunt van M200 Contragewicht Basis


TECHNISCH GEGEVENSBLAD: 8530886, 8530887




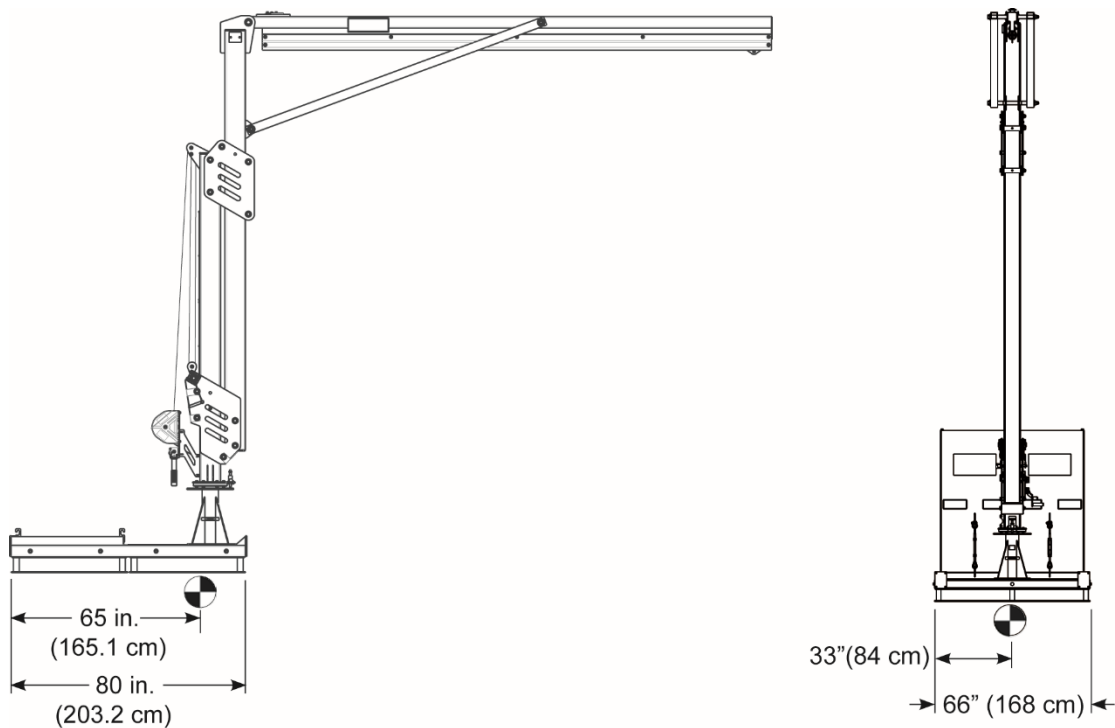
8530887	8530898
 .lb (kg)	12,668 lbs. (5,746 kg)

 .lb (kg)	5,000 lbs. (2,268 kg)
--	--------------------------



8530887	8530898
 .lb (kg)	2,668 lbs. (1,210 kg)

8530887	8530898
 .lb (kg)	12,668 lbs. (5,746 kg)



M200 Vloermontage Basis

TECHNISCH GEGEVENSBLAD: 8530888



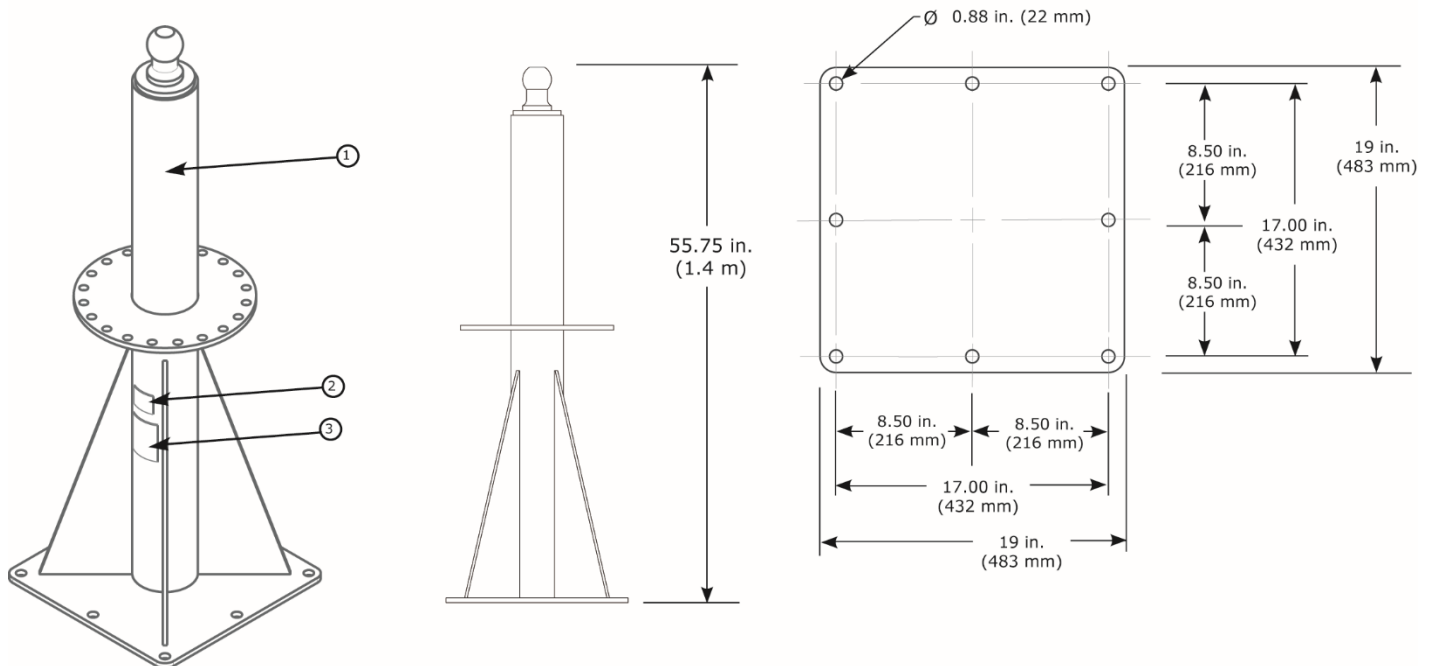
TOEPASSING:

De davitbasis is ontworpen om te worden gebruikt als bevestigingspunt voor het davitsysteem.

Voor meer informatie over de installatie van het product, raadpleeg de gebruikersinstructies.

Normen: CEN/TS 16415:2013 Type A, EN795:2012 Type A, OSHA 1910.140, OSHA 1926.502

	Gewicht
8530888	265 lb. (120 kg)



Componentenlijst				
	Onderdeelnummer	Beschrijving	Materiaal	Hoeveelheid
1	8549921	Basisconstructie	Staal	1
2	9514429	ID Label	Polyester	1
3	9515114	Gebruikerslabel	Polyester	1

Montagevereisten		
Minimale Uittrekkraft van Bevestiging	Minimale Momentbelasting van Montageconstructie	Minimale Verticale Belasting van Montageconstructie
9,386 lb. (4,257 kg)	501,633 in.-lb. (56,677 N-m)	3,320 lb. (1,506 kg) + Basisgewicht + Gewicht van M200 Giekarm

M200 Vlakke Montage Basis

TECHNISCH GEGEVENSBLAD: 8530889, 8530920, 8530921



Fall Protection

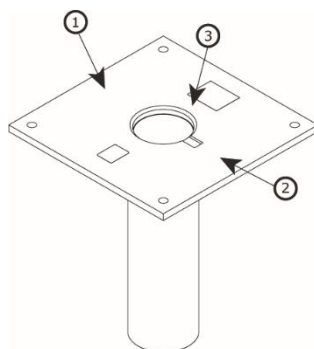
TOEPASSING:

De davitbasis is ontworpen om te worden gebruikt als bevestigingspunt voor het davitsysteem.

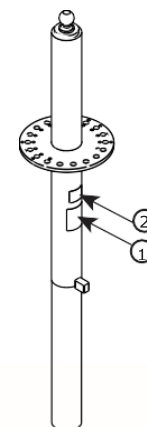
Voor meer informatie over de installatie van het product, raadpleeg de gebruikersinstructies.

Normen: CEN/TS 16415:2013, EN795:2012 Type A, OSHA 1910.140, OSHA 1926.502

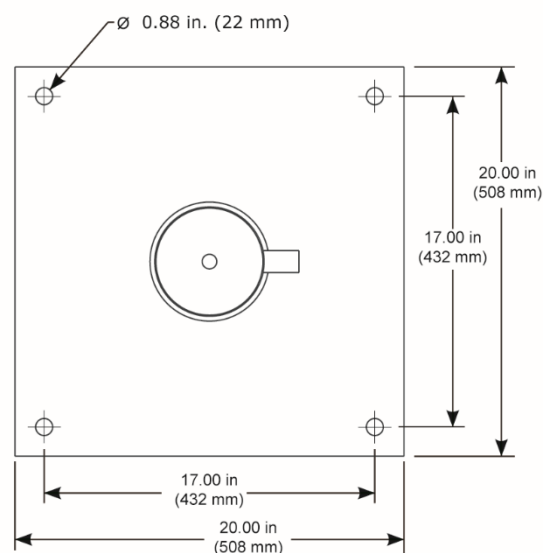
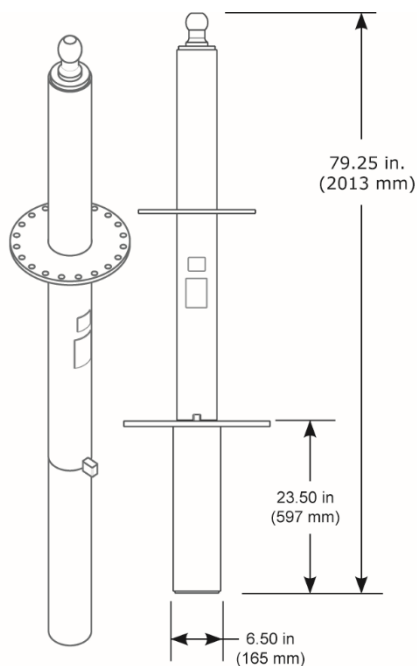
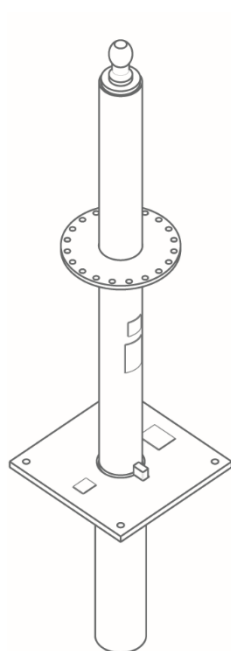
	Gewicht
8530920	140 lb. (64 kg)



	Gewicht
8530921	237 lb. (107 kg)



	Gewicht
8530889	377 lb. (171 kg)

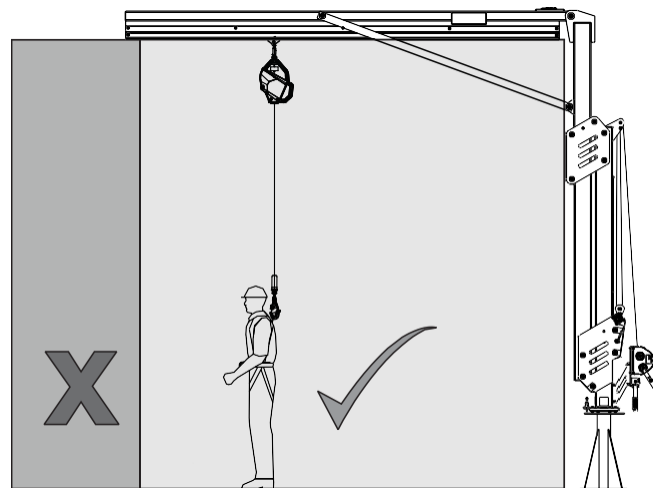
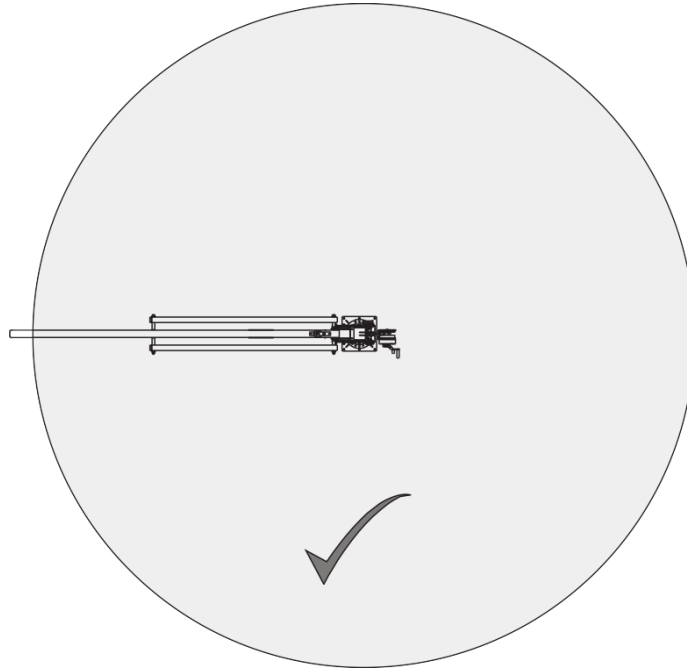


Componentenlijst				
	Onderdeelnummer	Beschrijving	Materiaal	Hoeveelheid
1	9515114	Gebruikerslabel	Polyester	1
2	9514429	ID Label	Polyester	1
3	8550165	Basisdop	Aluminium, Rubber	1

Montagevereisten	
Minimale Momentbelasting van Montageconstructie	Minimale Verticale Belasting van Montageconstructie
501,633 in.-lb. (56,677 N-m)	3,320 lb. (1,506 kg) + Base Gewicht + Gewicht van M200 Giekarm

TOEPASSING:

Raadpleeg de onderstaande diagram voor het werkgebied van het product.



Vorkzak Kit

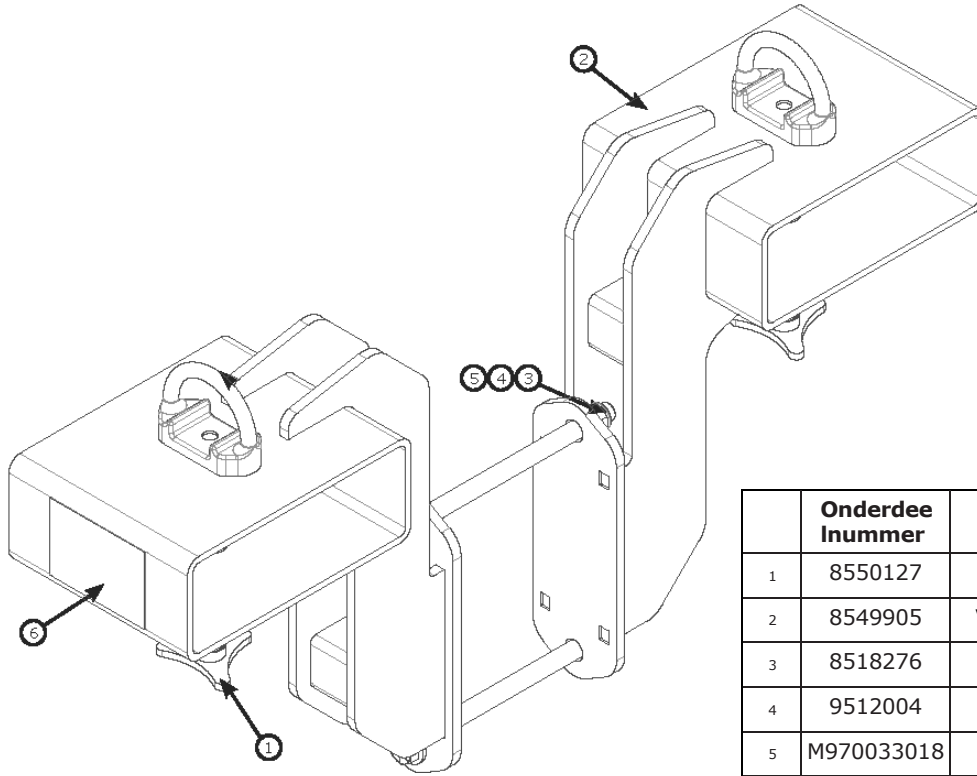
TECHNISCH GEGEVENSBLAD: 8530912



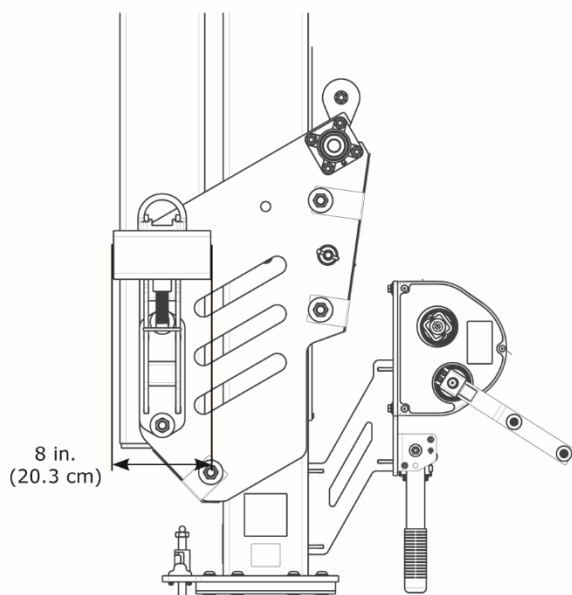
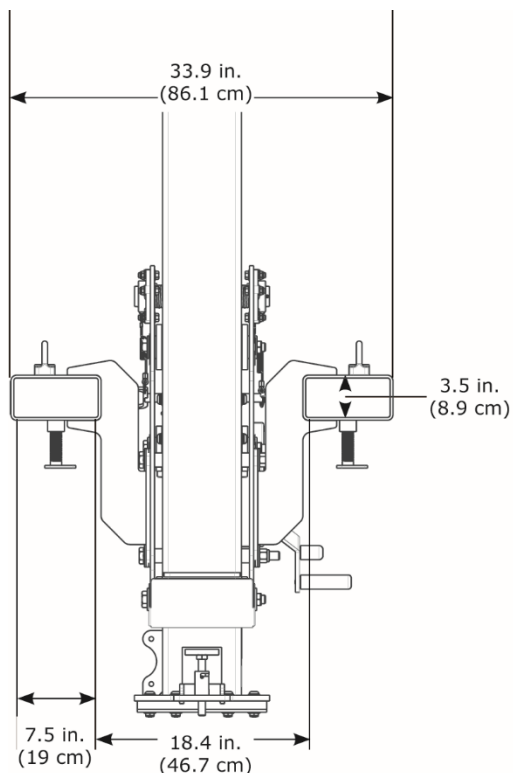
TOEPASSING:

Dit vorkzak kitmodel is ontworpen om de lierbediende davitmodellen **8530891-8530898** te vervoeren.

Voor meer informatie over de installatie van componenten, raadpleeg de gebruikersinstructies.



	Onderdeelnummer	Component	Hoeveelheid
1	8550127	Drie-schroef	2
2	8549905	Vorkzak Constructie	2
3	8518276	3/4" Zeskantmoer	2
4	9512004	3/4" x 12" Bout	2
5	M970033018	3/4" Ring	4
6	9515122	Gebruikerslabel	1
	9500146	Schakels	2
	8517096	Ketting	10 ft.



Vorkzak Kit

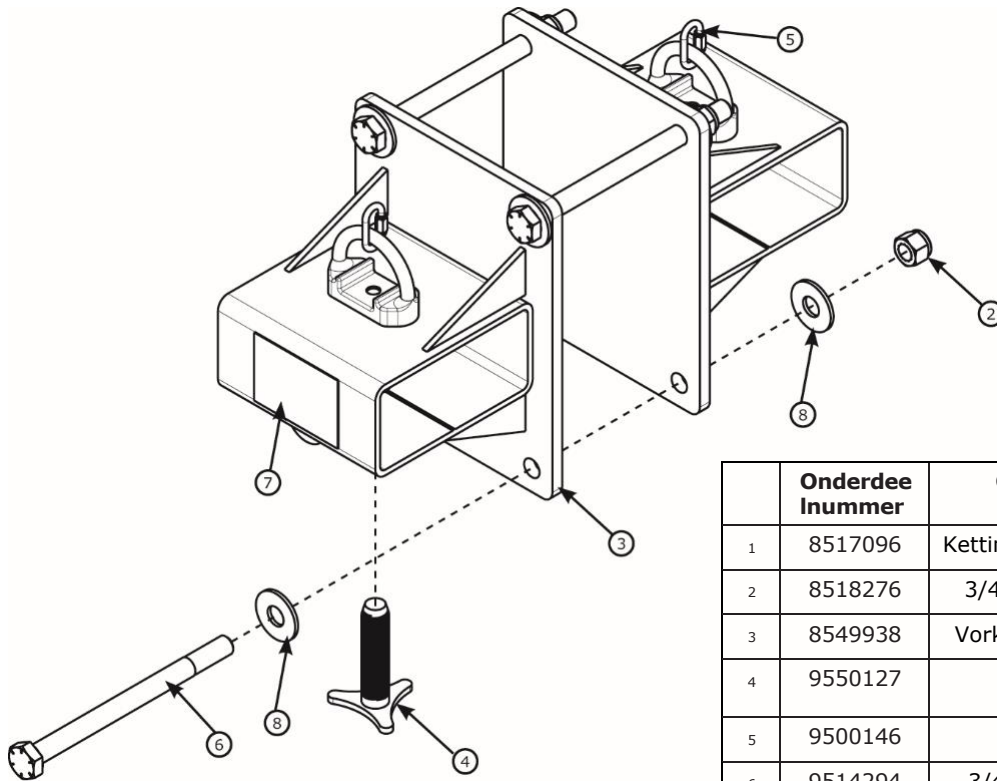
TECHNISCH GEGEVENSBLAD: 8530925



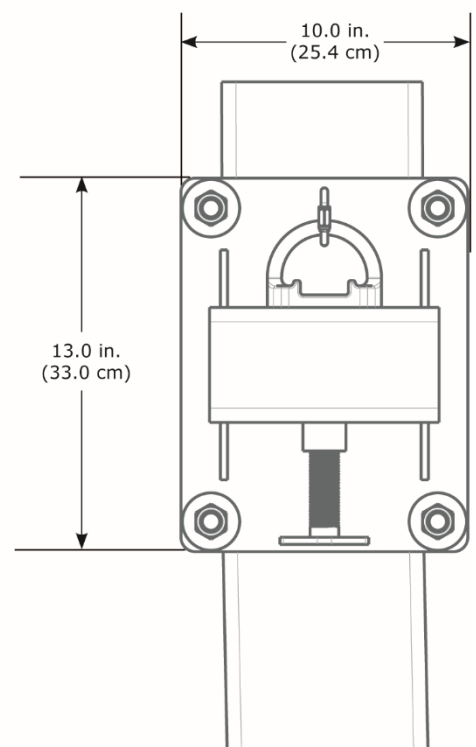
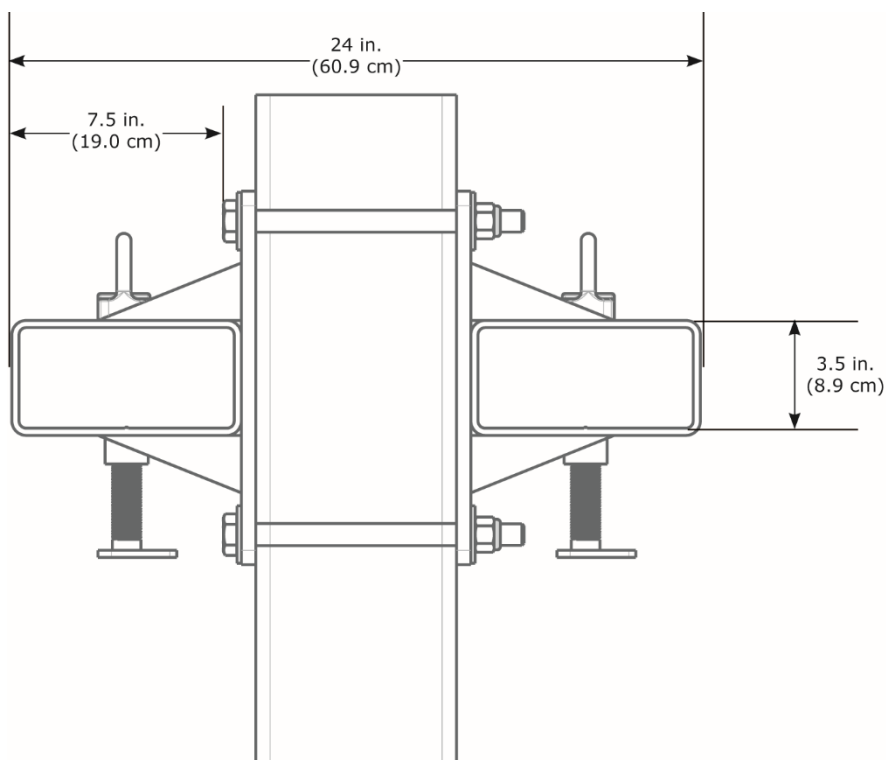
TOEPASSING:

Dit vorkzak kitmodel is ontworpen om de davit met verstelbare kanaalmodellen **8530899-8530904** te vervoeren.

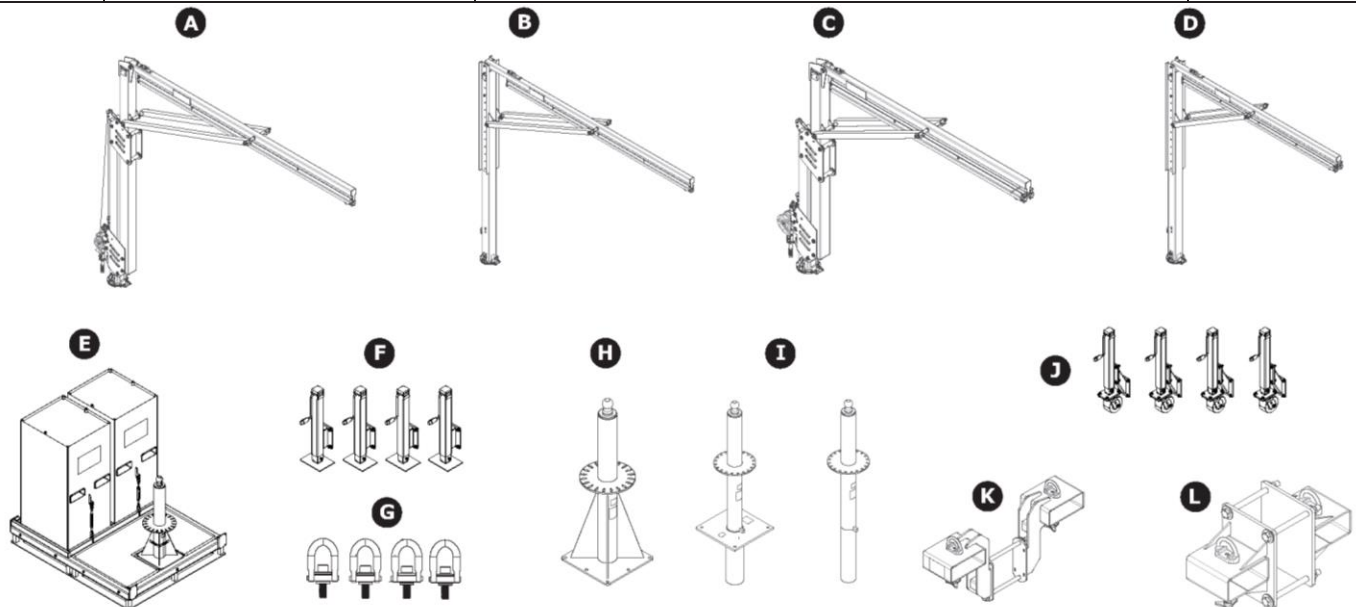
Voor meer informatie over de installatie van componenten, raadpleeg de gebruikersinstructies.



	Onderdeelnummer	Component	Hoeveelheid
1	8517096	Ketting (niet getoond)	10 ft.
2	8518276	3/4" Zeskantmoer	4
3	8549938	Vorkzak Constructie	2
4	9550127	Drie-schroef Constructie	2
5	9500146	Snelschakel	2
6	9514294	3/4" Zeskantbout	4
7	9515573	Waarschuwingslabel	1
8	M970033018	3/4" Ring	8



Utrop	Teknisk datablad	Beskrivelse	Side
A	8530891	12,3 pėd. – 15 pėd. (3,8 m – 4,6 m) Reguluojamas Davitas	362
	8530892	14,8 pėd. – 20 pėd. (4,5 m – 6,1 m) Reguluojamas Davitas	362
	8530893	17,3 pėd. – 25 pėd. (5,3 m – 7,6 m) Reguluojamas Davitas	362
	8530894	19,8 pėd. – 30 pėd. (6,1 m – 9,1 m) Reguluojamas Davitas	362
B	8530899	15 pėd. – 20 pėd. (4,6 m – 6,1 m) Pusiau fiksuotas Davitas	364
	8530900	20 pėd. – 25 pėd. (6,1 m – 7,6 m) Pusiau fiksuotas Davitas	364
	8530901	25 pėd. – 30 pėd. (7,6 m – 9,1 m) Pusiau fiksuotas Davitas	364
C	8530895	12,3 pėd. – 15 pėd. (3,8 m – 4,6 m) Reguluojamas Davitas	366
	8530896	14,8 pėd. – 20 pėd. (4,5 m – 6,1 m) Reguluojamas Davitas	366
	8530897	17,3 pėd. – 25 pėd. (5,3 m – 7,6 m) Reguluojamas Davitas	366
	8530898	19,8 pėd. – 30 pėd. (6,1 m – 9,1 m) Reguluojamas Davitas	366
D	8530902	15 pėd. – 20 pėd. (4,6 m – 6,1 m) Pusiau fiksuotas Davitas	368
	8530903	20 pėd. – 25 pėd. (6,1 m – 7,6 m) Pusiau fiksuotas Davitas	368
	8530904	25 pėd. – 30 pėd. (7,6 m – 9,1 m) Pusiau fiksuotas Davitas	368
E	8530886	Neužpildyta atsvaros bazė	370
	8530887	Užpildyta atsvaros bazė	370
F	8530907	Atsvaros bazės domkratai	372
G	8530777	Atsvaros bazės kėlimo žiedai	372
H	8530888	Grindų tvirtinimo bazė	374
I	8530889, 8530920, 8530921	Įleidžiama tvirtinimo bazė	375
J	8530908	Atsvaros bazės ratai	372
K	8530912	Šakių kišenės komplektas	377
L	8530925	Šakių kišenės komplektas	378



Reguliuojamas Davitas

TEKNISK DATABLAD: 8530891–8530894



BRUKSANVISNING:

Davitas yra sukurtas suteikti tvirtinimo taškus kritimo apsaugos sistemai.

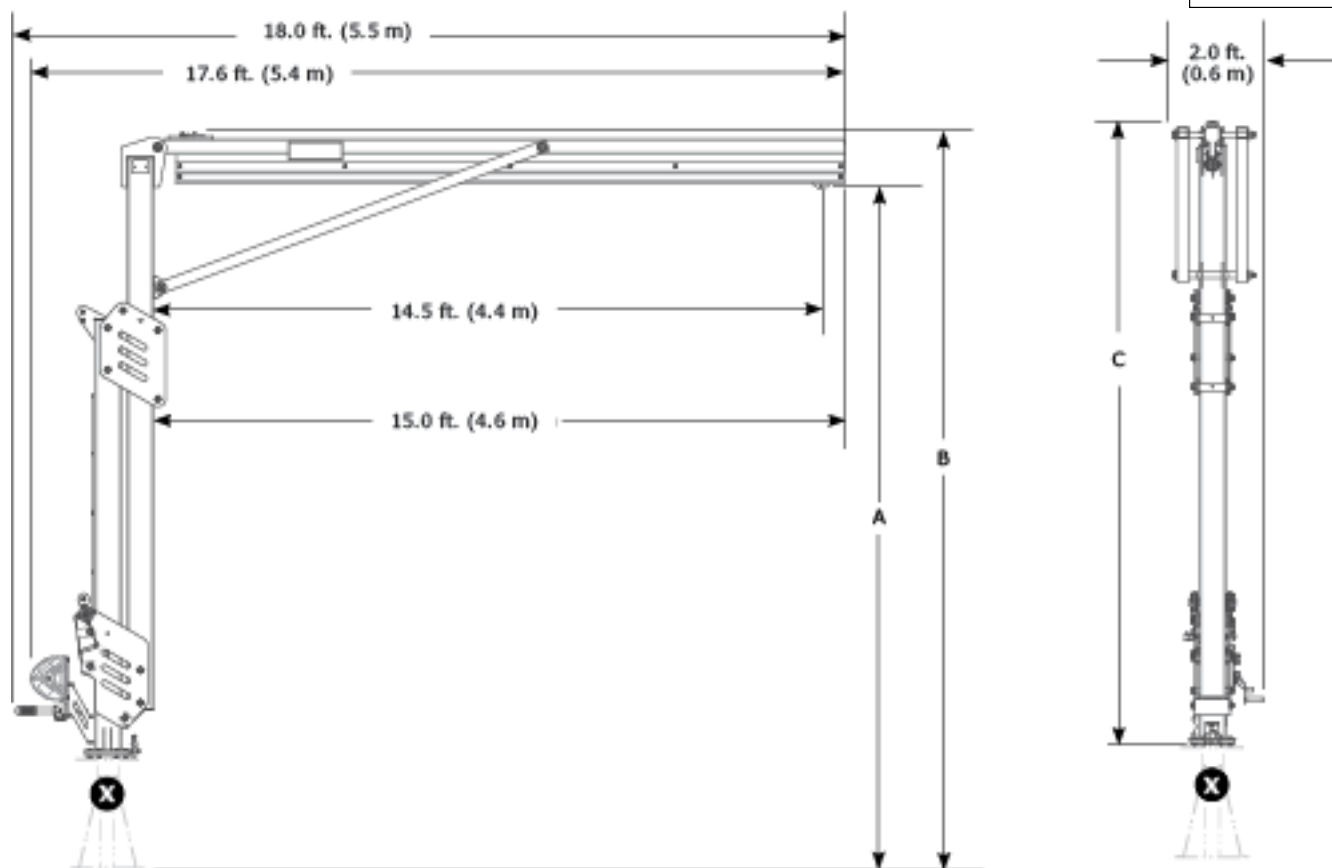
Daugiau informacijos apie gaminio montavimą rasite naudotojo instrukcijoje.

Standarder: EN795:2012 Type E, OSHA 1910.140, OSHA 1926.502

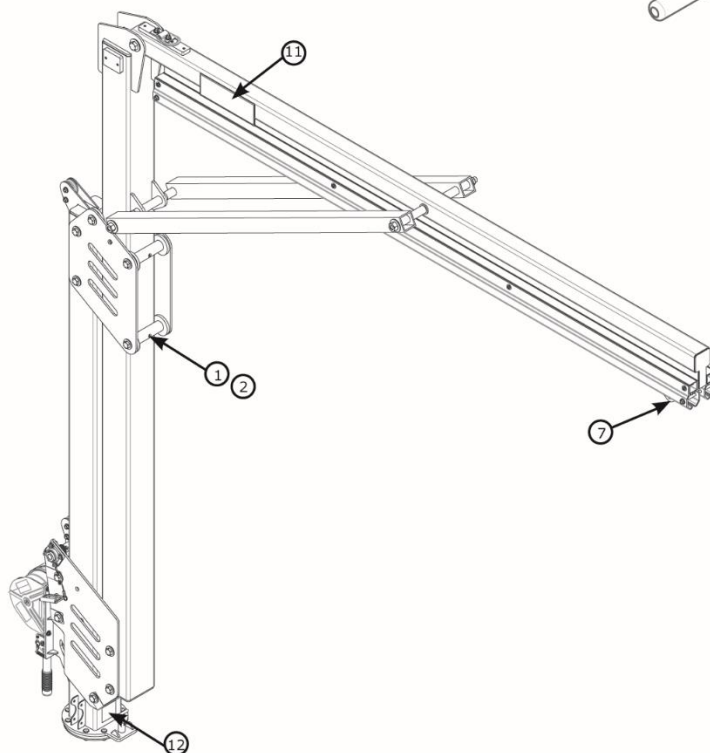
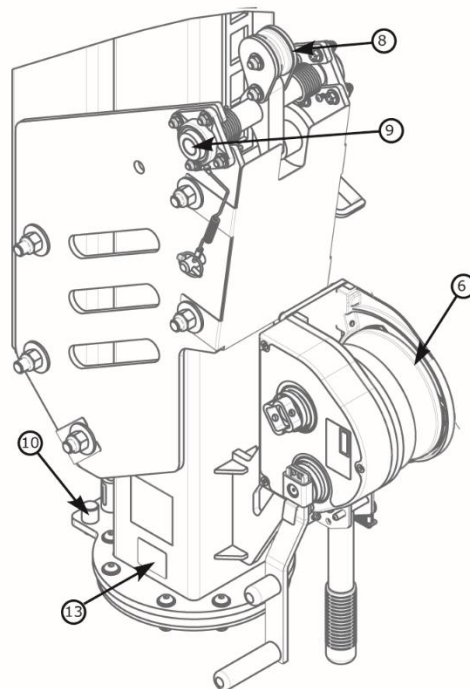
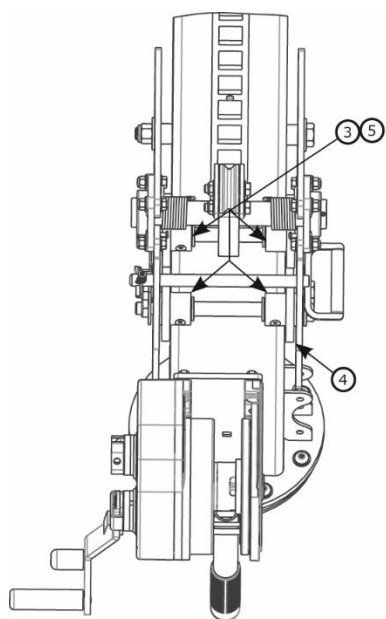
≤ 1350 lb.
(6 kN)

≤ 310 lb.
(140 kg)

1x



	A	B	C	lb. (kg)
8530891	12.3 ft. – 15.0 ft. (3.8 m – 4.6 m)	13.4 ft. – 16.1 ft. (4.1 m – 4.9 m)	9.8 ft. – 14.8 ft. (3.0 m – 4.5 ft.)	945 lb. (429 kg)
8530892	14.8 ft. – 20.0 ft. (4.5 m – 6.1 m)	15.9 ft. – 21.1 ft. (4.8 m – 6.4 m)	13.5 ft. – 18.7 ft. (4.1 m – 5.7 m)	1,057 lb. (479 kg)
8530893	17.3 ft. – 25.0 ft. (5.3 m – 7.6 m)	18.4 ft. – 26.1 ft. (5.6 m – 8.0 m)	16.0 – 23.7 ft. (4.9 m – 7.2 m)	1,169 lb. (530 kg)
8530894	19.8 ft. – 30.0 ft. (6.0 m – 9.1 m)	20.9 ft. – 31.1 ft. (6.4 m – 9.5 m)	18.5 ft. – 28.7 ft. (5.6 m – 8.7 m)	1,281 lb. (581 kg)



Komponentliste				
	Delen ummer	Beskrivelse	Materiale	Antall
1	8550046	Bred Rulle	Nylon	3
2	8550047	Bred Rullespacer	304 Rustfritt Stål	3
3	8550327	Smal Rulle	Nylon	2
4	9514703	Siderulle	Nylon	8
5	8550213	Smal Rullespacer	304 Rustfritt Stål	2
6	8549930	Vinsj	Stål	1
7	8521711	Tralle	Stål, Nylon	1

Komponentliste				
	Delen ummer	Beskrivelse	Materiale	Antall
8	8550223	Låsemekanisme (kun autorisert reparasjon)	Stål, Nylon	1
9	9515138	Lager	Stål	2
10	8550398	Rotasjonsstopp	Aluminium	2
11	9515111	3M Etikett	Polyester	2
12	9515101	Rotasjonsetikett	Polyester	1
13	9514429	ID Etikett	Polyester	1
14	9515112	Brukeretikett	Polyester	1

Pusiai fiksuotas Davitas

TEKNISK DATABLAD: 8530899–8530901





BRUKSANVISNING:

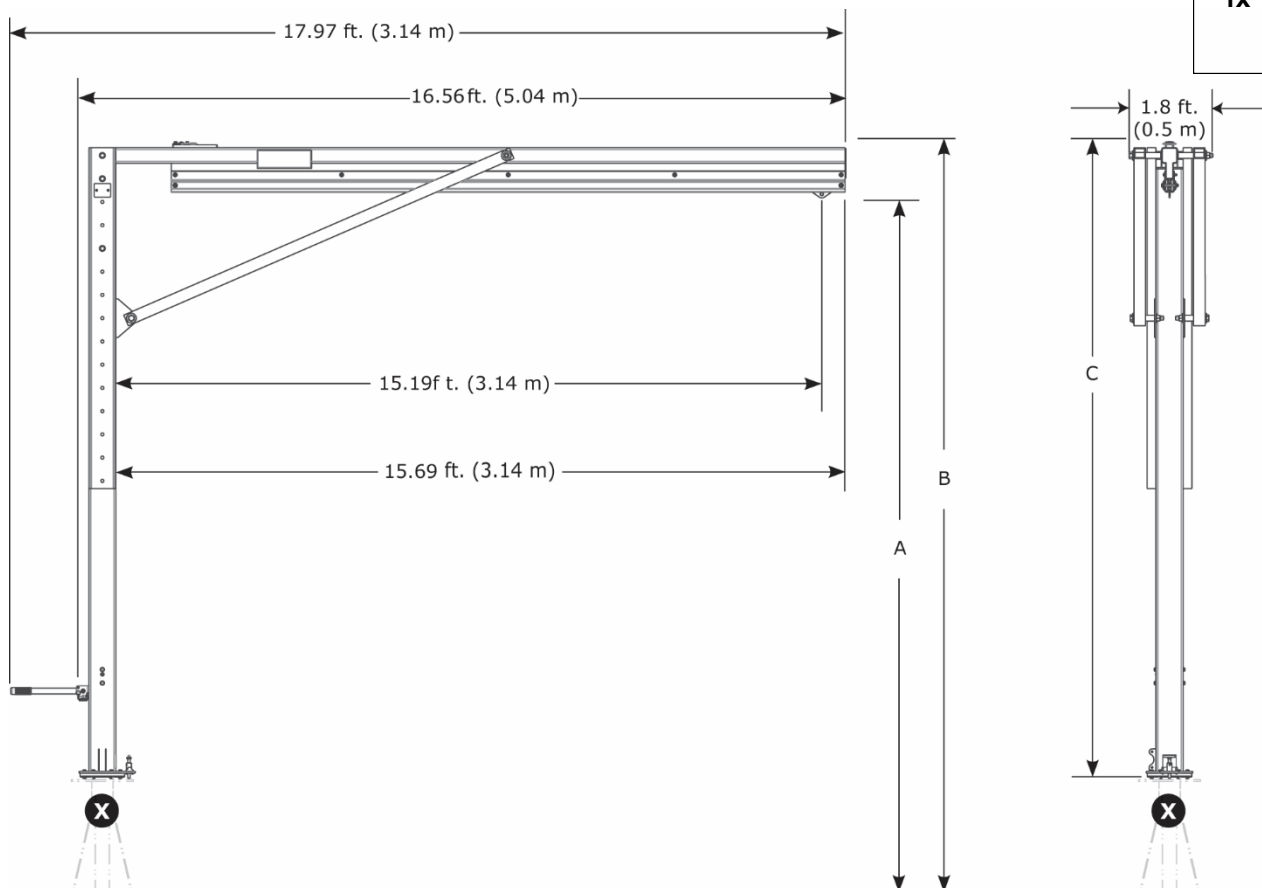
Davitas yra sukurtas suteikti tvirtinimo taškus kritimo apsaugos sistemai.

Daugiau informacijos apie gaminio montavimą rasite naudotojo instrukcijose.

Standarder: EN795:2012 Type E, OSHA 1910.140, OSHA 1926.502

 ≤ 1350 lb.
(6 kN)

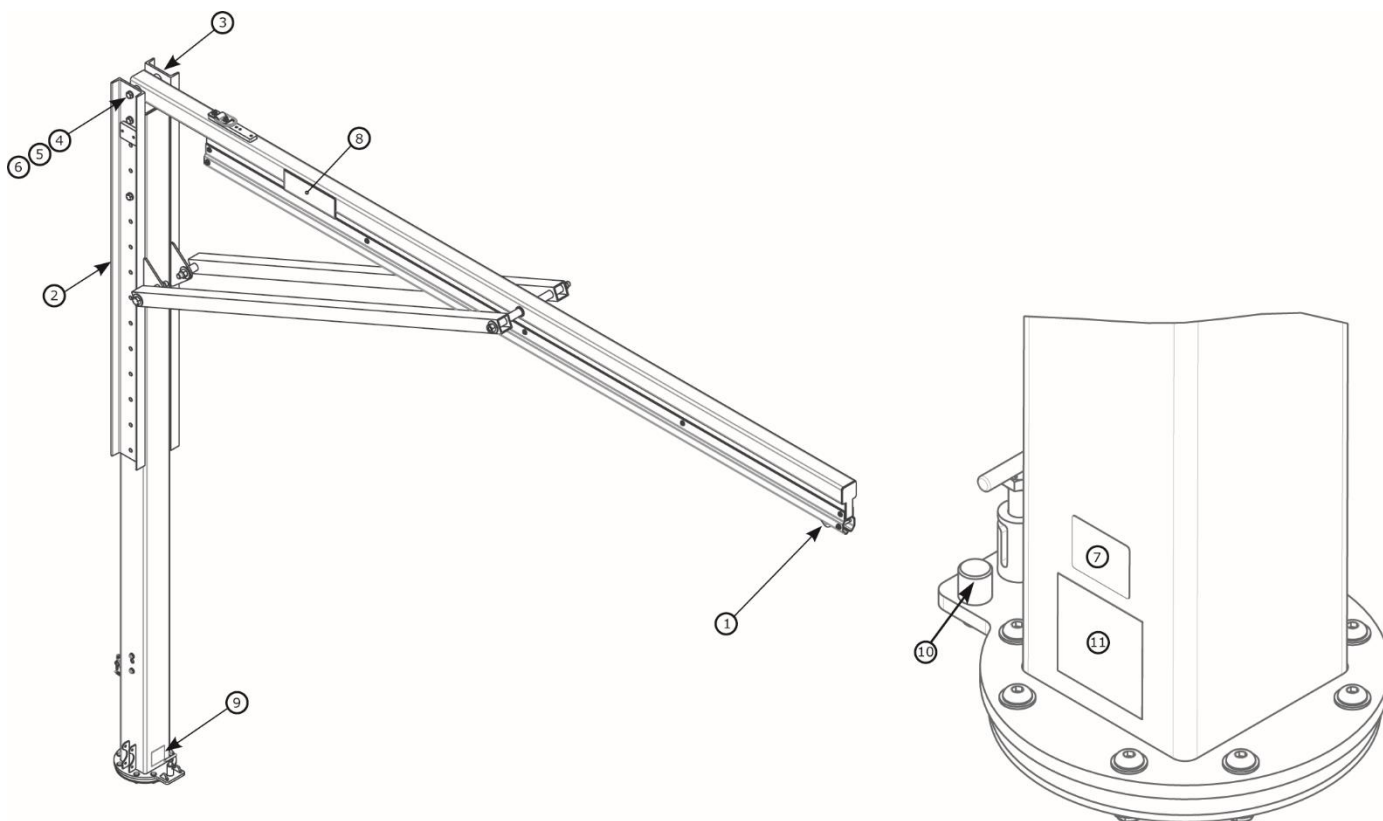
 1x ≤ 310 lb.
(140 kg)



	A	B	C	lb. (kg)
8530899	15.0 ft. – 20.0 ft. (4.6 m – 6.1 m)	16.1 ft. – 21.1 ft. (4.9 m – 6.4 m)	13.7 ft. – 18.7 ft. (4.2 m – 5.7 m)	818 lb. (371 kg)
8530900	20.0 ft. – 25.0 ft. (6.1 m – 7.6 m)	21.1 ft. – 26.1 ft. (6.4 m – 7.9 m)	18.7 ft. – 23.7 ft. (5.7 m – 7.2 m)	930 lb. (422 kg)
8530901	25.0 ft. – 30.0 ft. (7.6 m – 9.1 m)	26.1 ft. – 31.1 ft. (7.9 m – 9.6 m)	23.7 ft. – 28.7 ft. (7.2 m – 8.7 m)	1,041 lb. (472 kg)
+6" (152 mm) justeringsøkninger				

Pusiau fiksuo Davito Komponentai

TEKNISK DATABLAD: 8530899-8530901



	Delen nummer	Beskrivelse	Materiale	Antall
1	8521711	Tralle	Rustfritt Stål, Stål, Nylon	1
2	8549933	Redningsmon- teringskan- al	Stål	1
3	8550248	Kanal	Stål	1
4	8526654	3/4" x 9" Bolt	Stål	2
5	8522275	3/4" Skive	Stål	4
6	8518276	3/4" Mutter	Stål	2
7	9514429	ID Etikett	Polyester	1

	Delen nummer	Beskrivelse	Materiale	Antall
8	9515111	3M Etikett	Polyester	2
9	9515101	Rotasjonsetikett	Polyester	1
10	8550398	Rotasjonsstopp	Aluminium	2
11	9515112	Brukeretikett	Polyester	1

Reguliuojamas Davitas

TEKNISK DATABLAD: 8530895–8530898




BRUKSANVISNING:


Davitas yra sukurtas suteikti tvirtinimo taškus kritimo apsaugos sistemai.

Daugiau informacijos apie gaminio montavimą rasite naudotojo instrukcijose.

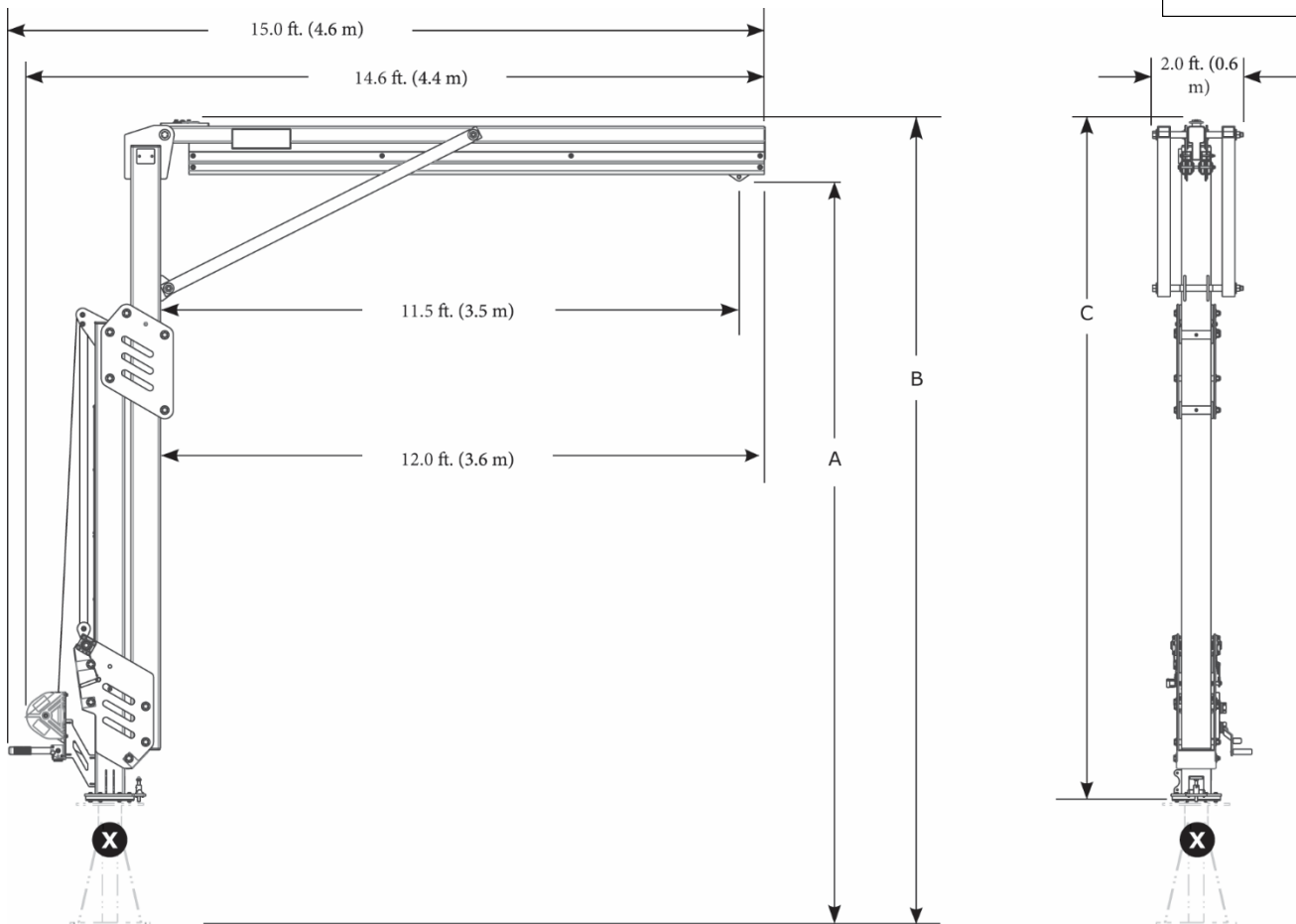
Standarder: CEN/TS 16415:2013 Type E, EN795:2012 Type E, OSHA 1910.140, OSHA 1926.502



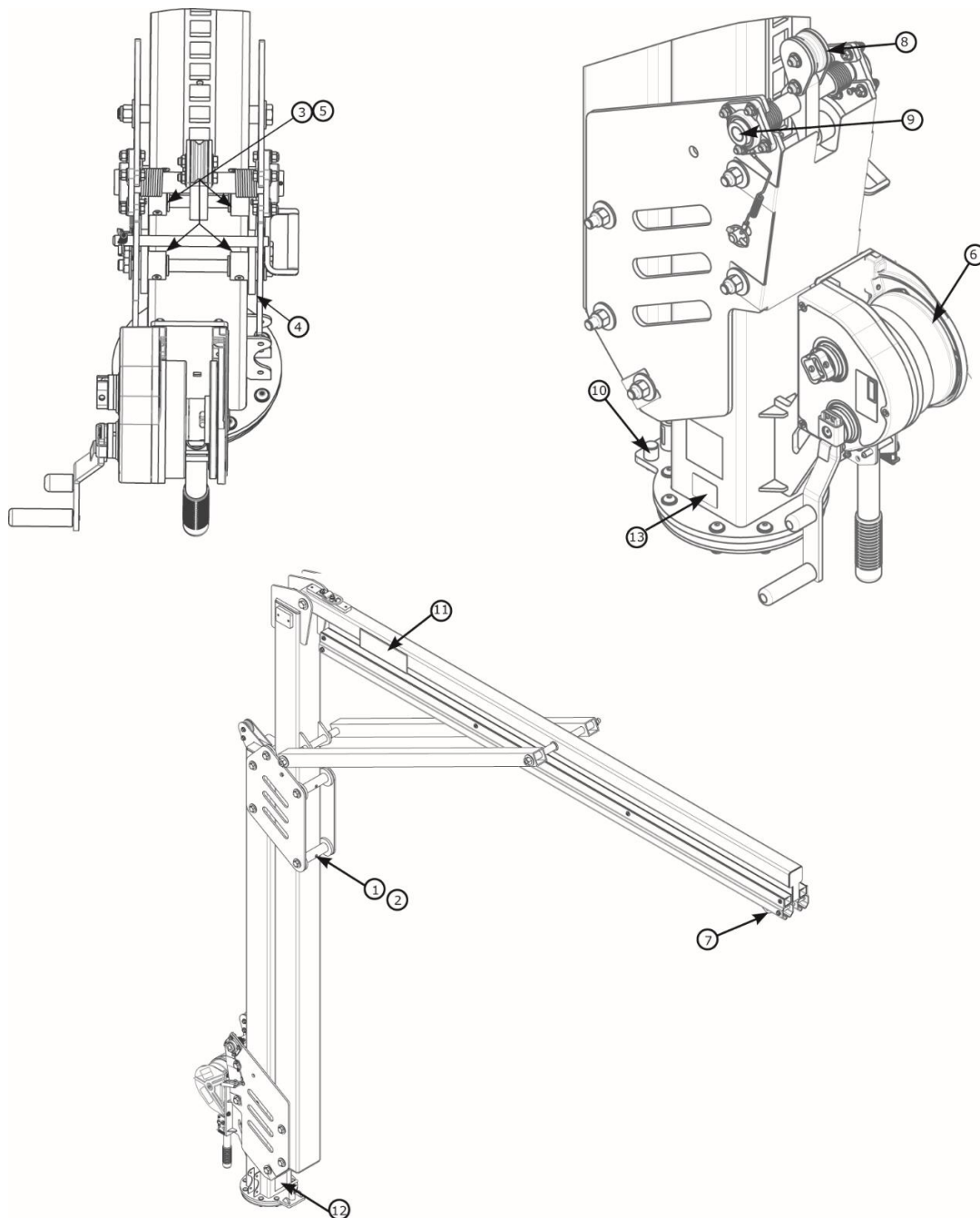
≤ 1350 lb.
(6 kN)



2x ≤ 310 lb.
(140 kg)



	A	B	C	lb. (kg)
8530895	12.3 ft. – 15.0 ft. (3.8 m – 4.6 m)	13.4 ft. – 16.1 ft. (4.1 m – 4.9 m)	11.0 ft. – 13.7 ft. (3.4 m – 4.2 ft.)	1,011 lb. (459 kg)
8530896	14.8 ft. – 20.0 ft. (4.5 m – 6.1 m)	15.9 ft. – 21.1 ft. (4.8 m – 6.4 m)	13.5 ft. – 18.7 ft. (4.1 m – 5.7 m)	1,123 lb. (509 kg)
8530897	17.3 ft. – 25.0 ft. (5.3 m – 7.6 m)	18.4 ft. – 26.1 ft. (5.6 m – 8.0 m)	16.0 – 23.7 ft. (4.9 m – 7.2 m)	1,235 lb. (560 kg)
8530898	19.8 ft. – 30.0 ft. (6.0 m – 9.1 m)	20.9 ft. – 31.1 ft. (6.4 m – 9.5 m)	18.5 ft. – 28.7 ft. (5.6 m – 8.7 m)	1,343 lb. (609 kg)



Komponentliste				
	Delen ummer	Beskrivelse	Materiale	Antall
1	8550046	Bred Rulle	Nylon	3
2	8550047	Bred Rullespacer	304 Rustfritt Stål	3
3	8550327	Smal Rulle	Nylon	2
4	9514703	Siderulle	Nylon	8
5	8550213	Smal Rullespacer	304 Rustfritt Stål	2
6	8549930	Vinsj	Stål	1
7	8521711	Tralle	Stål, Nylon	1

Komponentliste				
	Delen ummer	Beskrivelse	Materiale	Antall
8	8550223	Låsemekanisme (kun autorisert reparasjon)	Stål, Nylon	1
9	9515138	Lager	Stål	2
10	8550398	Rotasjonsstopp	Aluminium	2
11	9515111	3M Etikett	Polyester	2
12	9515101	Rotasjonsetikett	Polyester	1
13	9514429	ID Etikett	Polyester	1
14	9515112	Brukeretikett	Polyester	1

Pusiai fiksuotas Davitas

TEKNISK DATABLAD: 8530902-8530904



BRUKSANVISNING:

Davitas yra sukurtas suteikti tvirtinimo taškus kritimo apsaugos sistemai.

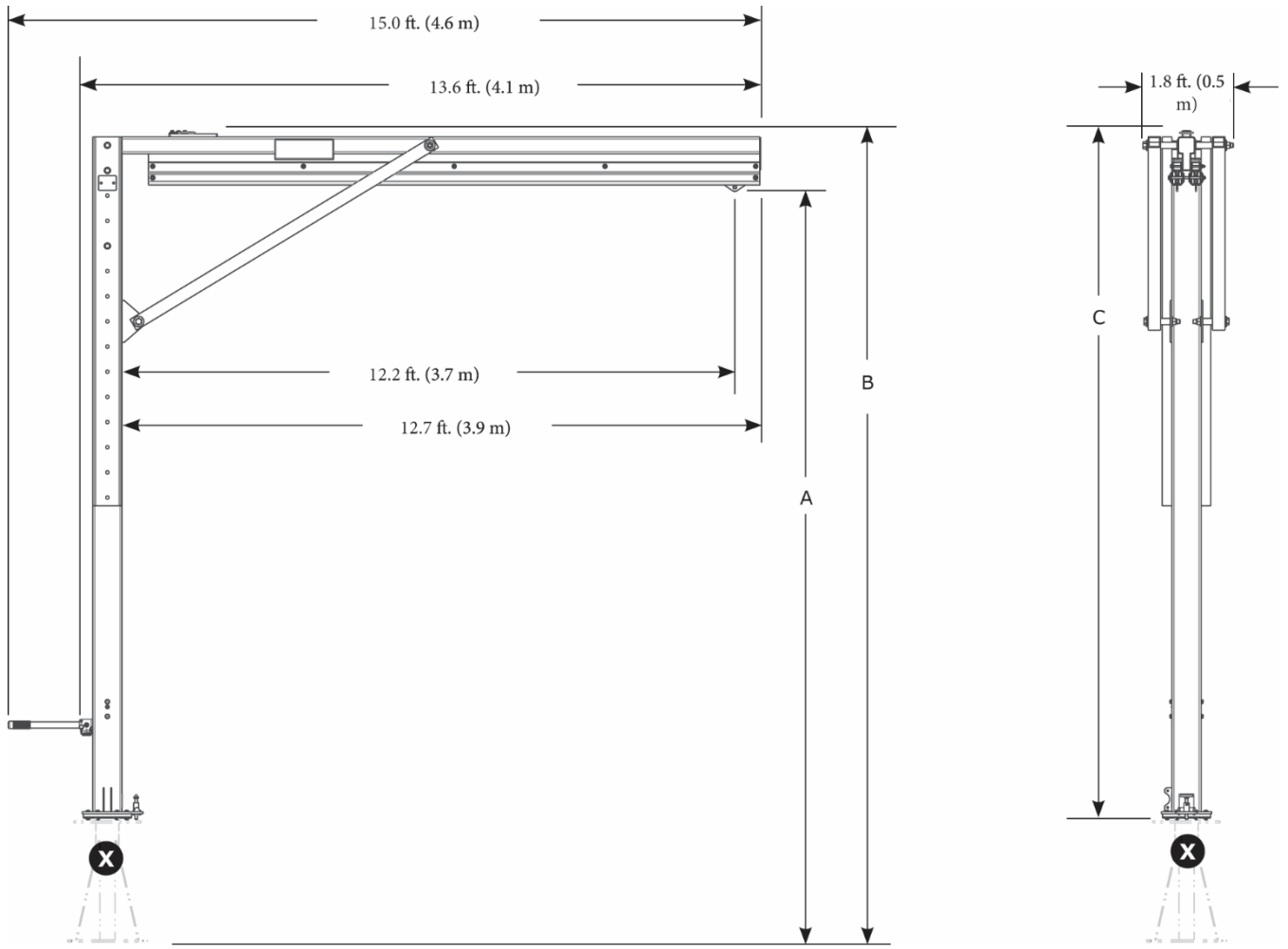
Daugiau informacijos apie gaminio montavimą rasite naudotojo instrukcijose.

Standarder: CEN/TS 16415:2013 Type E, EN795:2012 Type E, OSHA 1910.140, OSHA 1926.502

≤ 1350 lb.
(6 kN)

2x

≤ 310 lb.
(140 kg)

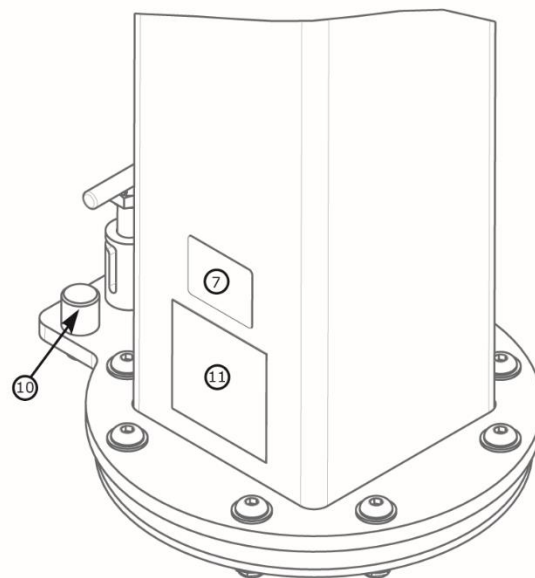
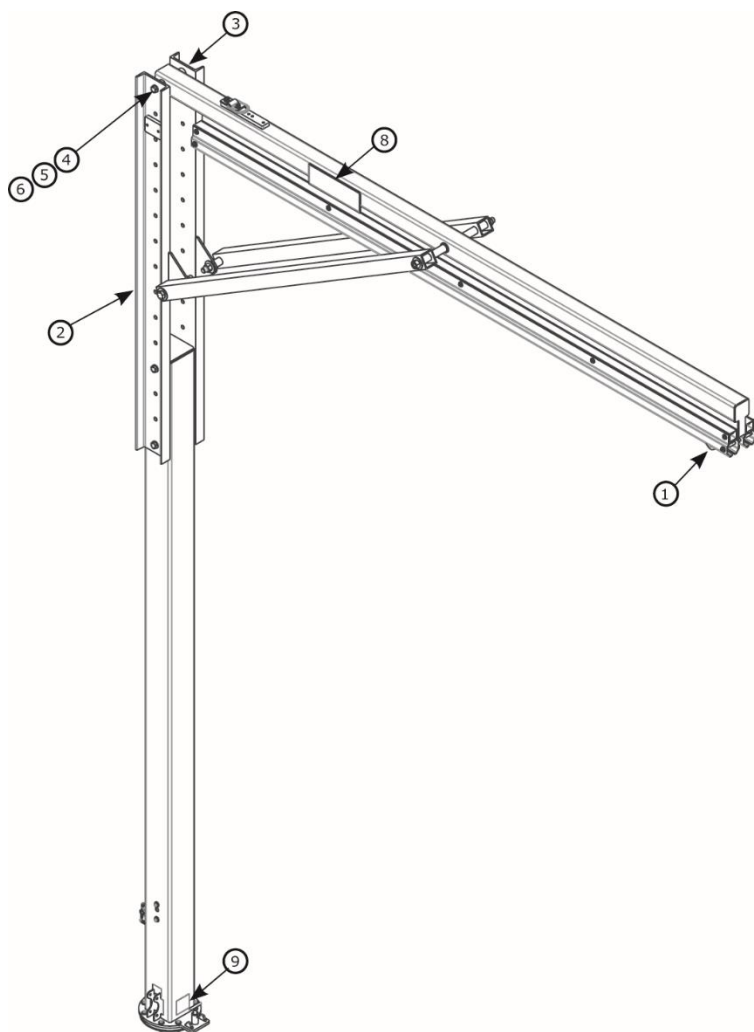


	A	B	C	lb. (kg)
8530902	15.0 ft. – 20.0 ft. (4.6 m – 6.1 m)	16.1 ft. – 21.1 ft. (4.9 m – 6.4 m)	13.7 ft. – 18.7 ft. (4.2 m – 5.7 m)	850 lb. (386 kg)
8530903	20.0 ft. – 25.0 ft. (6.1 m – 7.6 m)	21.1 ft. – 26.1 ft. (6.4 m – 7.9 m)	18.7 ft. – 23.7 ft. (5.7 m – 7.2 m)	961 lb. (436 kg)
8530904	25.0 ft. – 30.0 ft. (7.6 m – 9.1 m)	26.1 ft. – 31.1 ft. (7.9 m – 9.6 m)	23.7 ft. – 28.7 ft. (7.2 m – 8.7 m)	1,073 lb. (487 kg)

Pusiau fiksuoto Davito Komponentai
TEKNISK DATABLAD: 8530902-8530904

3M

DBI
SALA
 Fall Protection



	Delenummer	Beskrivelse	Materiale	Antall
1	8521711	Tralle	Rustfritt Stål, Stål, Nylon	1
2	8549933	Redningsmonteringskanal	Stål	1
3	8550248	Kanal	Stål	1
4	8526654	3/4" x 9" Bolt	Stål	2
5	8522275	3/4" Skive	Stål	4
6	8518276	3/4" Mutter	Stål	2
7	9514429	ID Etikett	Polyester	1

	Delenummer	Beskrivelse	Materiale	Antall
8	9515111	3M Etikett	Polyester	2
9	9515101	Rotasjonsetikett	Polyester	1
10	8550398	Rotasjonsstopp	Aluminium	2
11	9515112	Brukeretikett	Polyester	1

M200 Motvektbase

TEKNISK DATABLAD: 8530886, 8530887



BRUKSANVISNING:

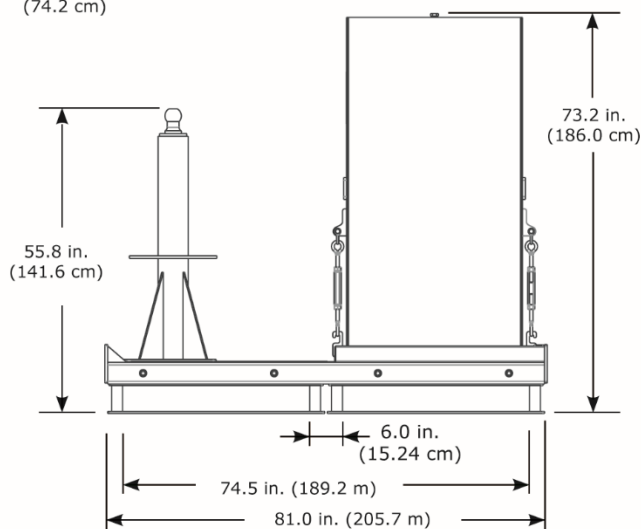
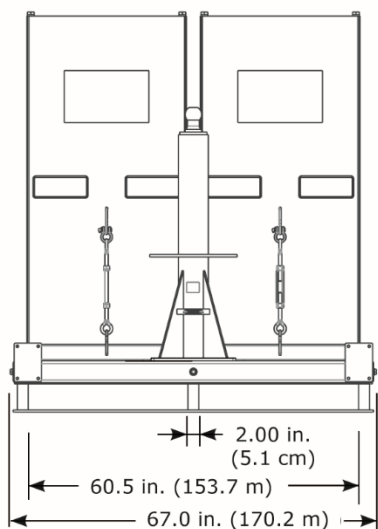
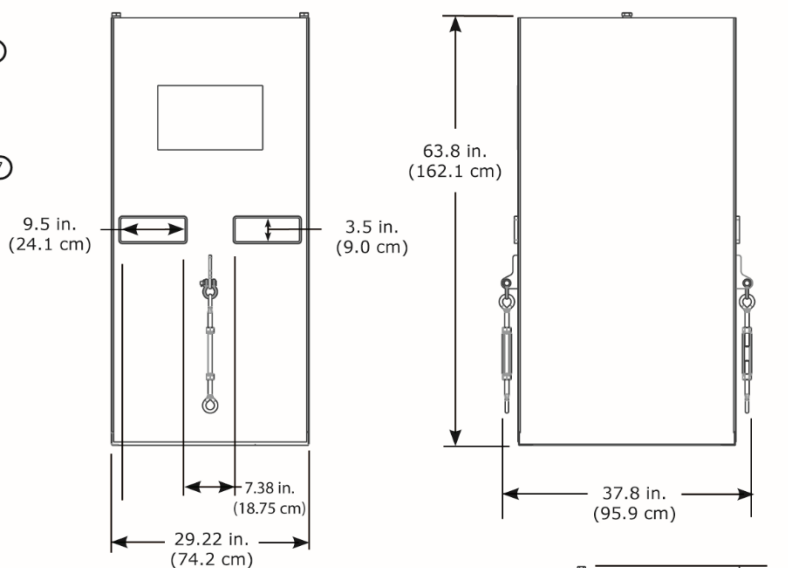
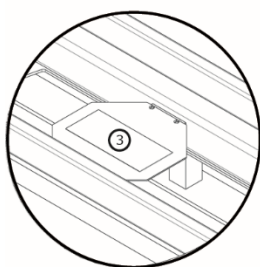
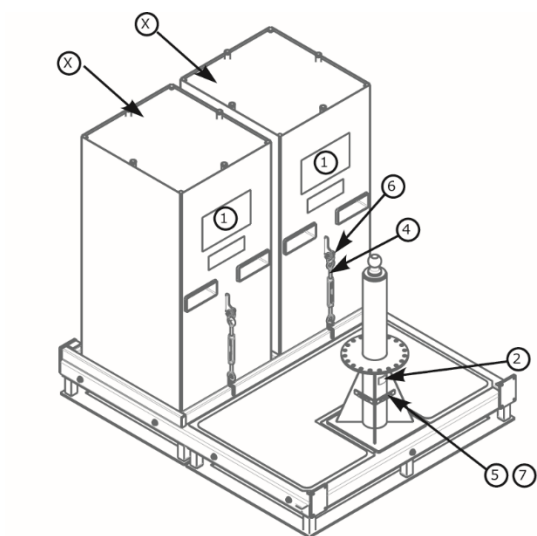
Davito bazė yra sukurta naudoti kaip tvirtinimo taškas davito sistemai.

Daugiau informacijos apie gaminio montavimą rasite naudotojo instrukcijoje.

Standarder: CEN/TS 16415:2013 Type E, EN795:2012 Type E, OSHA 1910.140, OSHA 1926.502

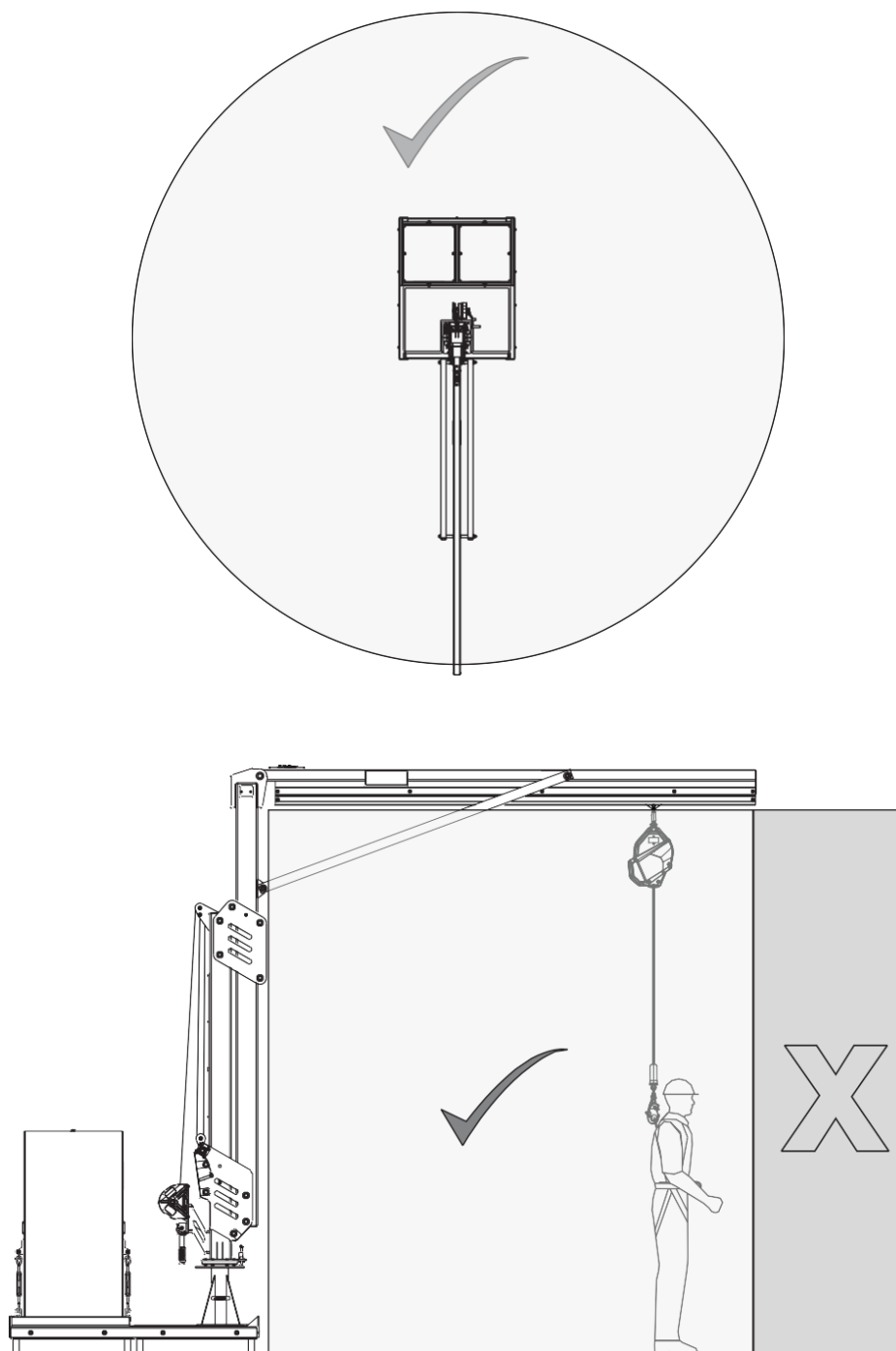
	X 4,000 psi (30 MPa)	Krav til Hvilestruktur	Svoris
8530886		14,645 lb. (6,643 kg) + Vekt av M200 Jib Bom	2,407 lb. (1,092 kg)
8530887	✓		11,325 lb. (5,137 kg)

Komponentliste				
	Delenummer	Beskrivelse	Materiale	Antall
1	9515107	Brukeretikett	Polyester	1
2	9514429	ID Etikett	Polyester	1
3	9515106	Varselsetikett	Polyester	1
4	8520575	Strekkfisk	Stål	2
5	9513627	#4 Skrue	Stål	4
6	9501794	Sjaket	Stål	2
7	9515058	Vannrettlibelle	Plast	2
8	9515566	Varselsetikett	Polyester	4



BRUKSANVISNING:

Se diagrammet nedenfor for produktets arbejdsområde.



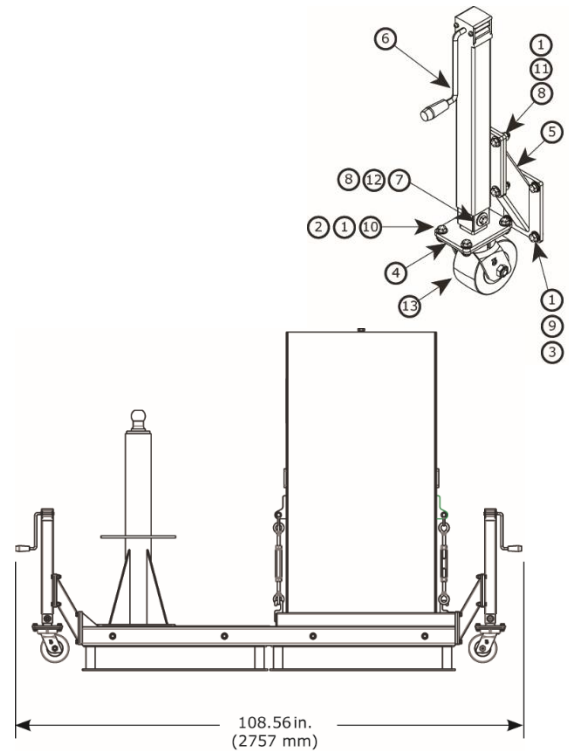
Tilbehør for M200 Motvektbase

TEKNISK DATABLAD: 8530907, 8530908, 8530777

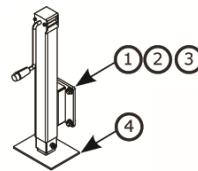


Fall Protection

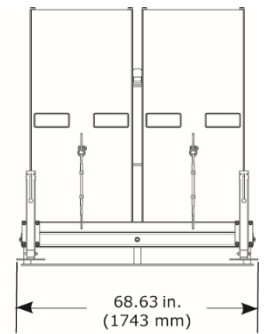
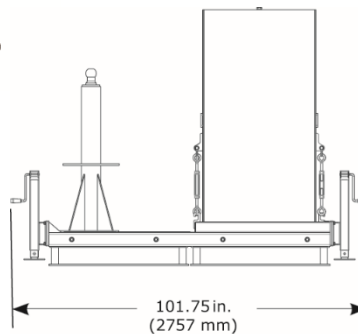
Komponentliste				
	Delen nummer	Beskrivelse	Materiale	Antall
1	8510037	1/2" Skive	Stål	80
2	8512460	1/2" x 1 1/4" Bolt	Stål	16
3	8518432	1/2" x 1" Bolt	Stål	16
4	8550153	Hjul Sveisemontasje	Stål	4
5	8550155	Vinklet Sveisemontasje	Stål	4
6	8550156	Montert Sveisemontasje	Stål	4
7	9501243	1/2" Skive	Stål	8
8	9501831	1/2" Sekskantmutter	Stål	20
9	9504221	1/2" Skive	Stål	16
10	9504813	1/2" Sekskantmutter	Stål	16
11	9509276	1/2" x 1 3/4" Bolt	Stål	16
12	9510153	1/2" x 3 1/4" Bolt	Stål	4
13	9515081	Svinghjul	Stål, Uretan	4



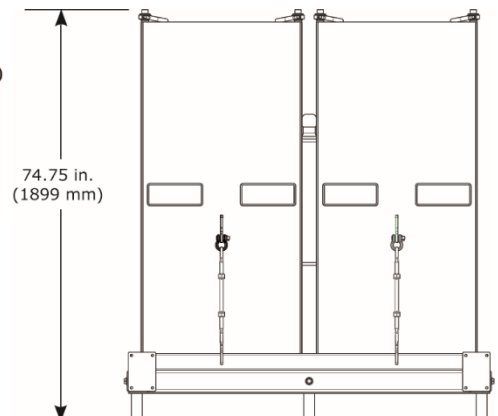
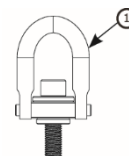
	8530907	8530908	8530777
Svoris	108 lb. (49 kg)	152 lb. (69 kg)	12 lb. (5.4 kg)



	Delen nummer	Beskrivelse	Materiale	Antall
1	9504221	1/2" Låseskive	Stål	16
2	8510037	1/2" Skive	Stål	16
3	8518432	1/2" x 1" Bolt	Stål	16
4	8550177	Hjul Sveisemontasje	Stål	4




Komponentliste				
	Delen nummer	Beskrivelse	Materiale	Antall
1	9512574	Løftering	Stål	4




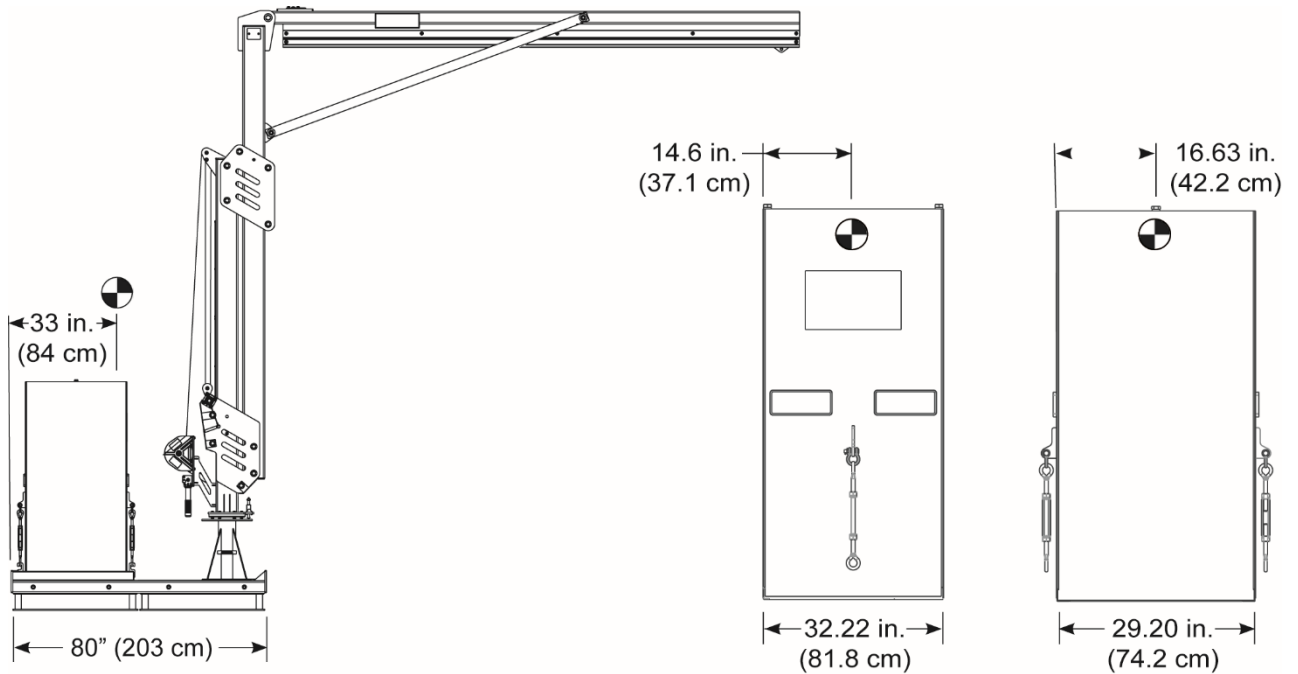
Tyngdepunkt for M200 Motvektbase


TEKNISK DATABLAD: 8530886, 8530887




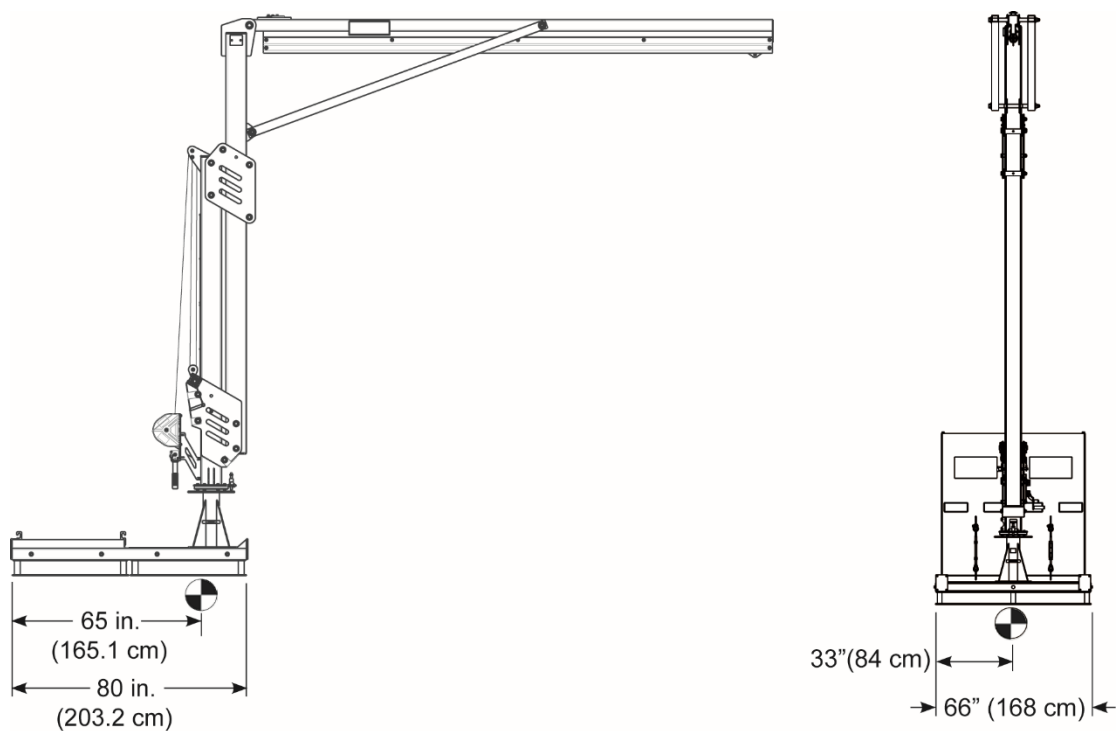
8530887	8530898
 .lb (kg)	12,668 lbs. (5,746 kg)

 .lb (kg)	5,000 lbs. (2,268 kg)
--	--------------------------



8530887	8530898
 .lb (kg)	2,668 lbs. (1,210 kg)

8530887	8530898
 .lb (kg)	12,668 lbs. (5,746 kg)



M200 Gulvmontert Base

TEKNISK DATABLAD: 8530888



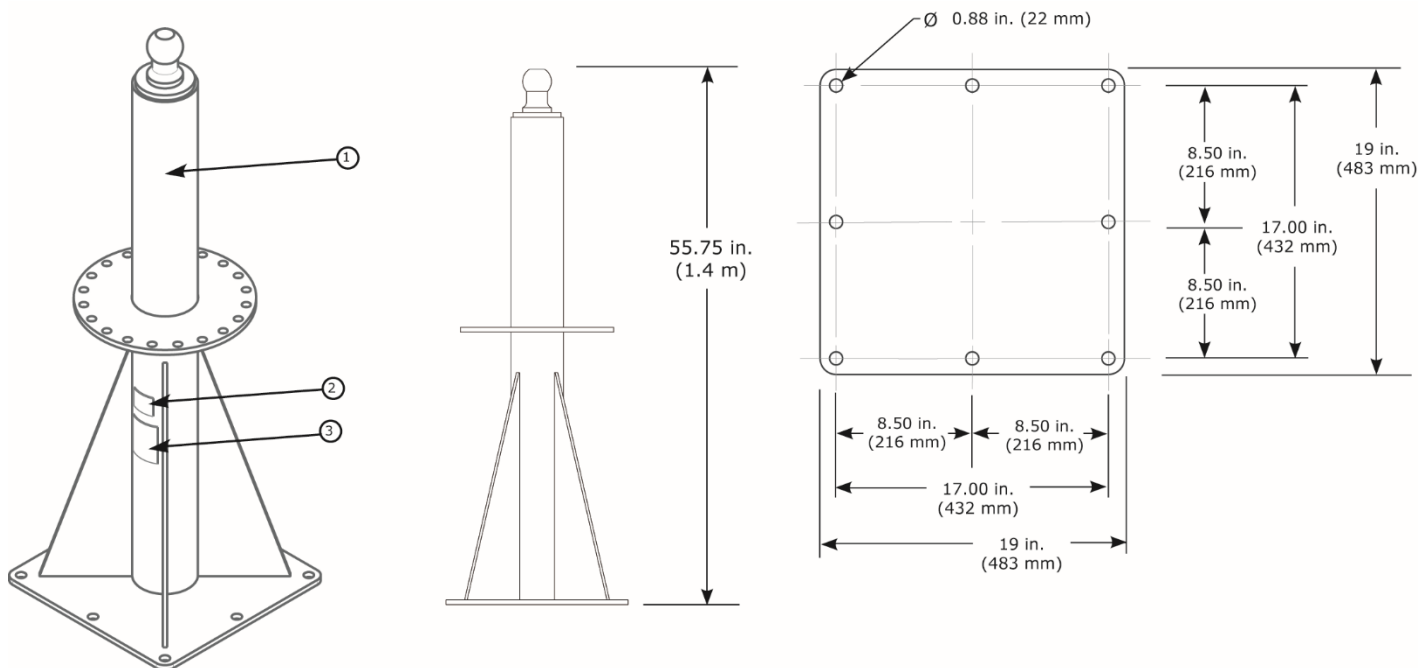
BRUKSANVISNING:

Davito bazé yra sukurta naudoti kaip tvirtinimo taškas davito sistemai.

Daugiau informacijos apie gaminio montavimą rasite naudotojo instrukcijoje.

Standarder: CEN/TS 16415:2013 Type A, EN795:2012 Type A, OSHA 1910.140, OSHA 1926.502

	Svoris
8530888	265 lb. (120 kg)



Komponentliste				
	Delenummer	Beskrivelse	Materiale	Antall
1	8549921	Base Sveisemontasje	Stål	1
2	9514429	ID Etikett	Polyester	1
3	9515114	Brukeretikett	Polyester	1

Monteringskrav		
Minimum uttrekskraft for festemidler	Minimum momentbelastning for monteringsstruktur	Minimum vertikal belastning for monteringsstruktur
9,386 lb. (4,257 kg)	501,633 in.-lb. (56,677 N-m)	3,320 lb. (1,506 kg) + Bazés svoris + Vekt av M200 Jib Bom

M200 Flushmontert Base

TEKNISK DATABLAD: 8530889, 8530920, 8530921



Fall Protection

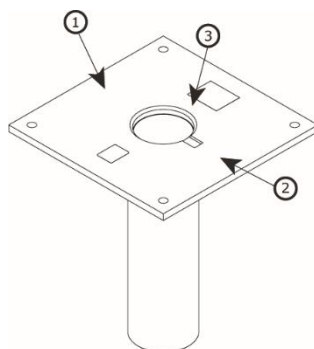
BRUKSANVISNING:

Davito bazė yra sukurta naudoti kaip tvirtinimo taškas davito sistemai.

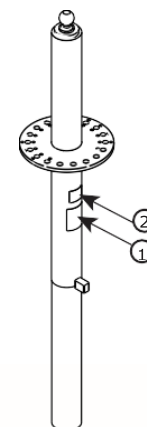
Daugiau informacijos apie gaminio montavimą rasite naudotojo instrukcijoje.

Standarder: CEN/TS 16415:2013, EN795:2012 Type A, OSHA 1910.140, OSHA 1926.502

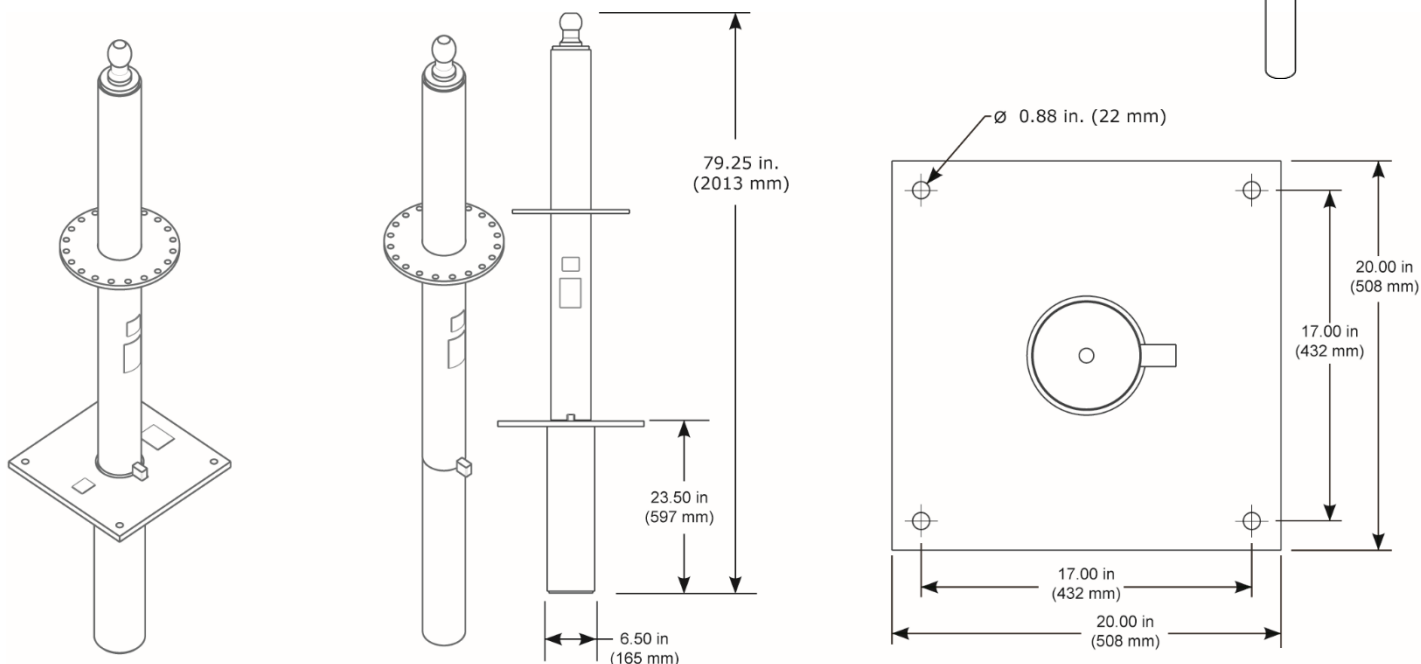
	Svoris
8530920	140 lb. (64 kg)



	Svoris
8530921	237 lb. (107 kg)



	Svoris
8530889	377 lb. (171 kg)

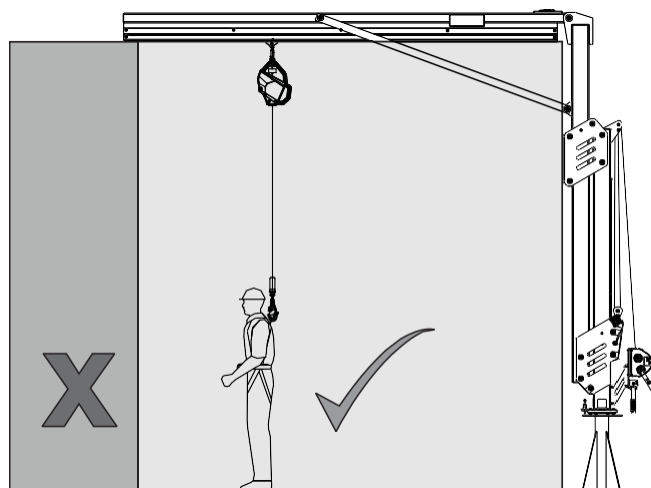
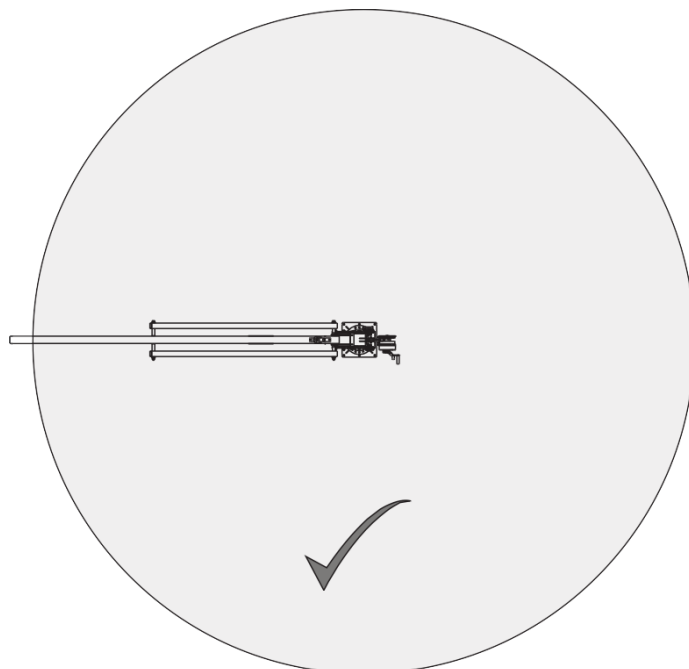


Komponentliste				
	Delenummer	Beskrivelse	Materiale	Antall
1	9515114	Brukeretikett	Polyester	1
2	9514429	ID Etikett	Polyester	1
3	8550165	Basehette	Aluminium, Gummi	1

Monteringskrav	
Minimum momentbelastning for monteringsstruktur	Minimum vertikal belastning for monteringsstruktur
501,633 in-lb. (56,677 N-m)	3,320 lb. (1,506 kg) + Bazės svoris + Vekt av M200 Jib Bom

BRUKSANVISNING:

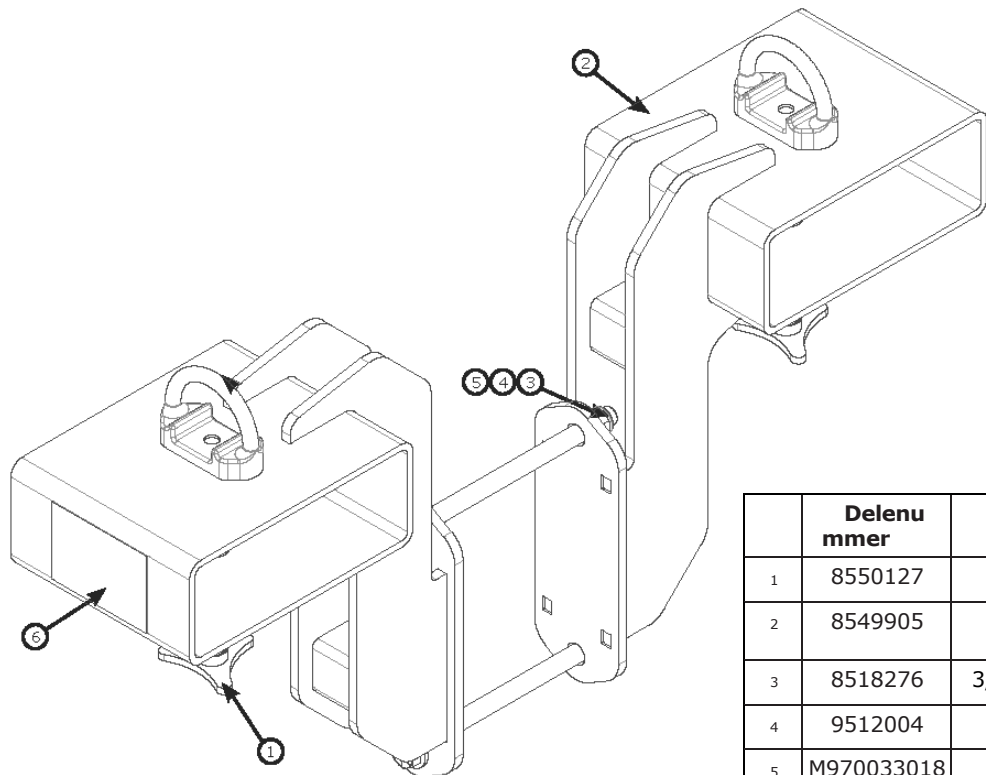
Se diagrammet nedenfor for produktets arbejdsområde.



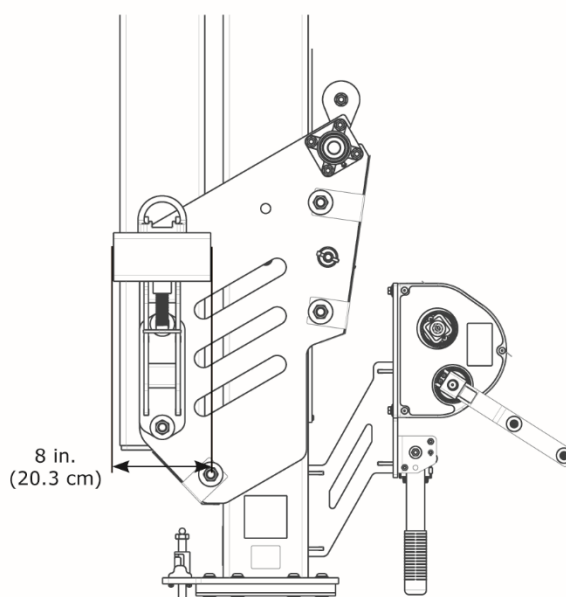
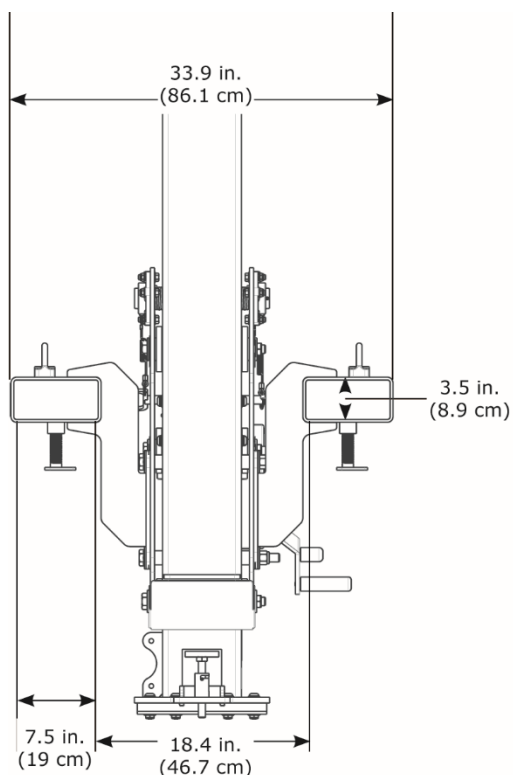
BRUKSANVISNING:

Dette gaffellomme-settet er designet for å transportere vinsjopererte davit-modeller **8530891–8530898**.

For mer informasjon om komponentinstallasjon, se 3M-instruksjonsmanual 5908372.



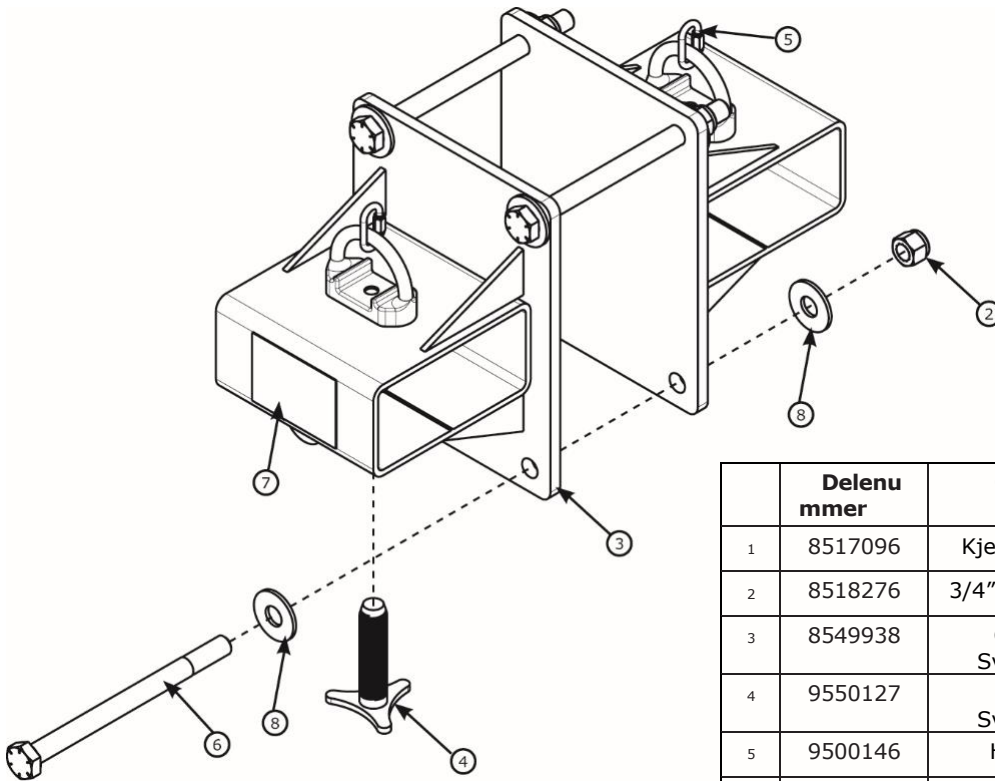
	Delenummer	Beskrivelse	Antall
1	8550127	Tri-Skrue	2
2	8549905	Gaffellomme Sveisemontasje	2
3	8518276	3/4" Sekskantmutter	2
4	9512004	3/4" x 12" Bolt	2
5	M970033018	3/4" Skive	4
6	9515122	Brukeretikett	1
	9500146	Kjettinglenke	2
	8517096	Kjetting	10 ft.



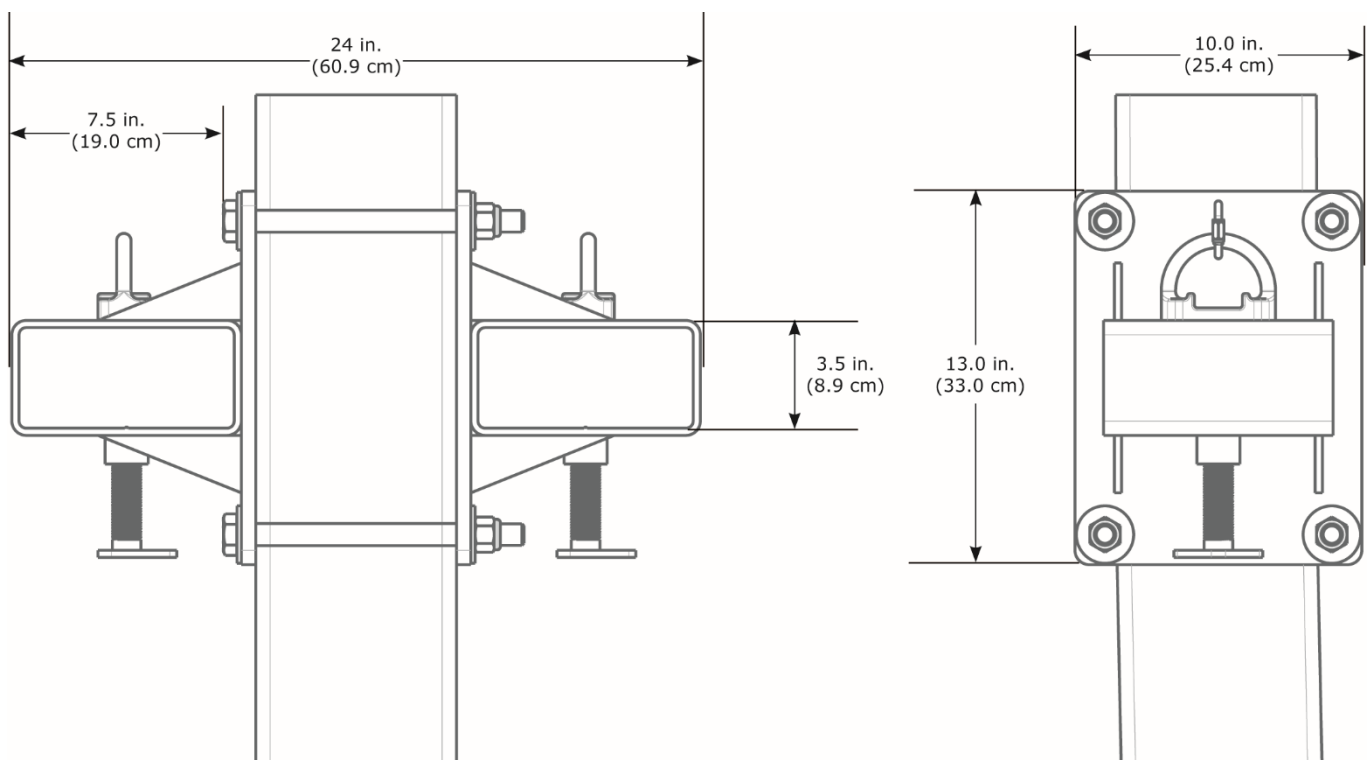
BRUKSANVISNING:

Dette gaffellomme-settet er designet for å transportere davit med justeringskanalmodellene **8530899–8530904**.

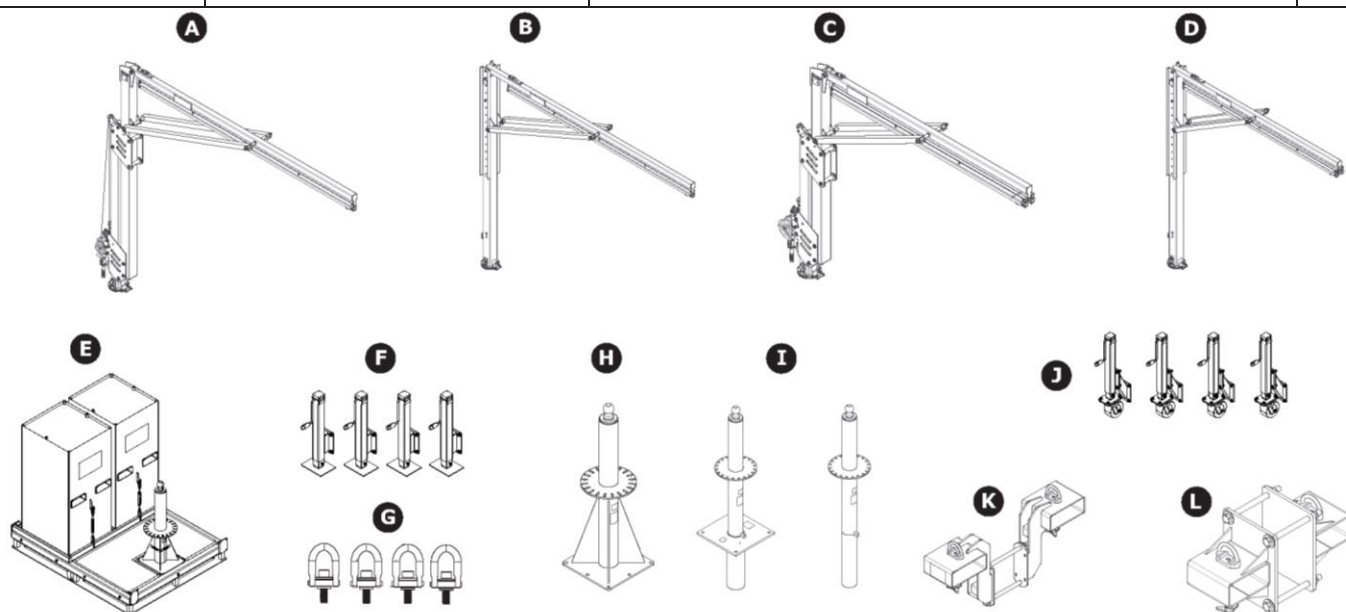
For mer informasjon om komponentinstallasjon, se 3M-instruksjonsmanual 5908372.



	Delenummer	Component	Antall
1	8517096	Kjetting (ikke vist)	10 ft.
2	8518276	3/4" Sekskantmutter	4
3	8549938	Gaffellomme Sveisemontasje	2
4	9550127	Tri-Skrue Sveisemontasje	2
5	9500146	Hurtigkobling	2
6	9514294	3/4" Sekskanthodebolt	4
7	9515573	Varselsetikett	1
8	M970033018	3/4" Skive	8



Zawiadomienie	Karta danych technicznych	Opis	Strona
A	8530891	12.3 ft.–15 ft. (3.8 m–4.6 m) Ramię wysięgnika regulowane	380
	8530892	14.8 ft.–20 ft. (4.5 m–6.1 m) Ramię wysięgnika regulowane	380
	8530893	17.3 ft.–25 ft. (5.3 m–7.6 m) Ramię wysięgnika regulowane	380
	8530894	19.8 ft.–30 ft. (6.1 m–9.1 m) Ramię wysięgnika regulowane	380
B	8530899	15 ft.–20 ft. (4.6 m–6.1 m) Ramię wysięgnika półstałe	382
	8530900	20 ft.–25 ft. (6.1 m–7.6 m) Ramię wysięgnika półstałe	382
	8530901	25 ft.–30 ft. (7.6 m–9.1 m) Ramię wysięgnika półstałe	382
C	8530895	12.3 ft.–15 ft. (3.8 m–4.6 m) Ramię wysięgnika regulowane	384
	8530896	14.8 ft.–20 ft. (4.5 m–6.1 m) Ramię wysięgnika regulowane	384
	8530897	17.3 ft.–25 ft. (5.3 m–7.6 m) Ramię wysięgnika regulowane	384
	8530898	19.8 ft.–30 ft. (6.1 m–9.1 m) Ramię wysięgnika regulowane	384
D	8530902	15 ft.–20 ft. (4.6 m–6.1 m) Ramię wysięgnika półstałe	386
	8530903	20 ft.–25 ft. (6.1 m–7.6 m) Ramię wysięgnika półstałe	386
	8530904	25 ft.–30 ft. (7.6 m–9.1 m) Ramię wysięgnika półstałe	386
E	8530886	Podstawa przeciwwagi nieuzupełniona	388
	8530887	Podstawa przeciwwagi uzupełniona	388
F	8530907	Podnośniki podstawy przeciwwagi	390
G	8530777	Pierścienie podnoszące podstawy przeciwwagi	390
H	8530888	Podstawa montażu na podłodze	392
I	8530889, 8530920, 8530921	Podstawa montażu na równi z podłogą	393
J	8530908	Koła podstawy przeciwwagi	390
K	8530912	Zestaw kieszeni na widły	395
L	8530925	Zestaw kieszeni na widły	396



Regulowane Ramię Wysięgnika Modułowego

ARKUSZ DANYCH TECHNICZNYCH: 8530891-8530894

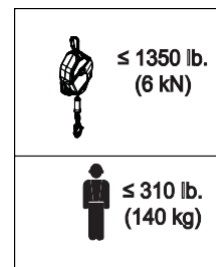


ZASTOSOWANIE:

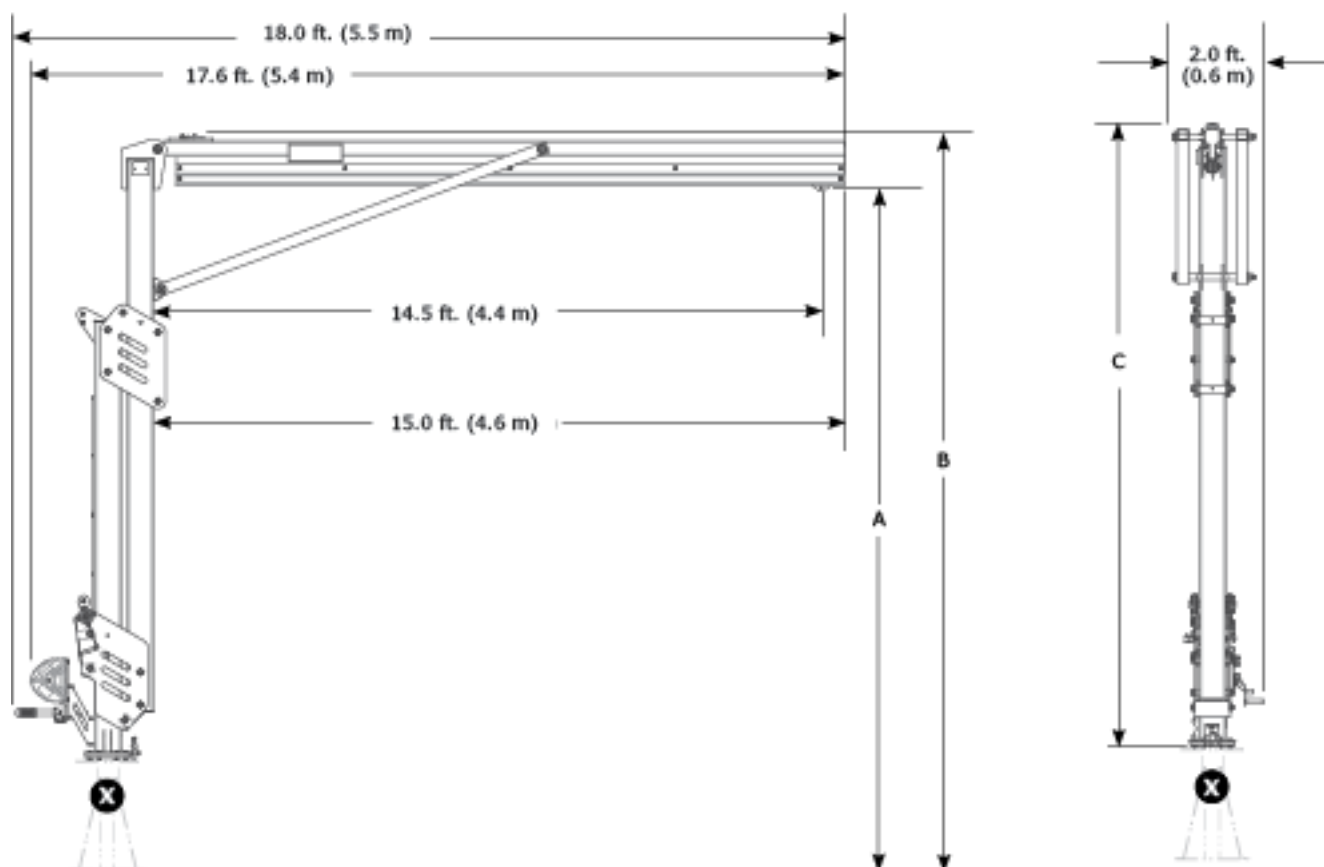
Dźwig jest zaprojektowany tak, aby zapewniać punkty połączenia kotwiczenia dla systemu ochrony przed upadkiem.

Aby uzyskać więcej informacji na temat instalacji produktu, zapoznaj się z instrukcją użytkownika.

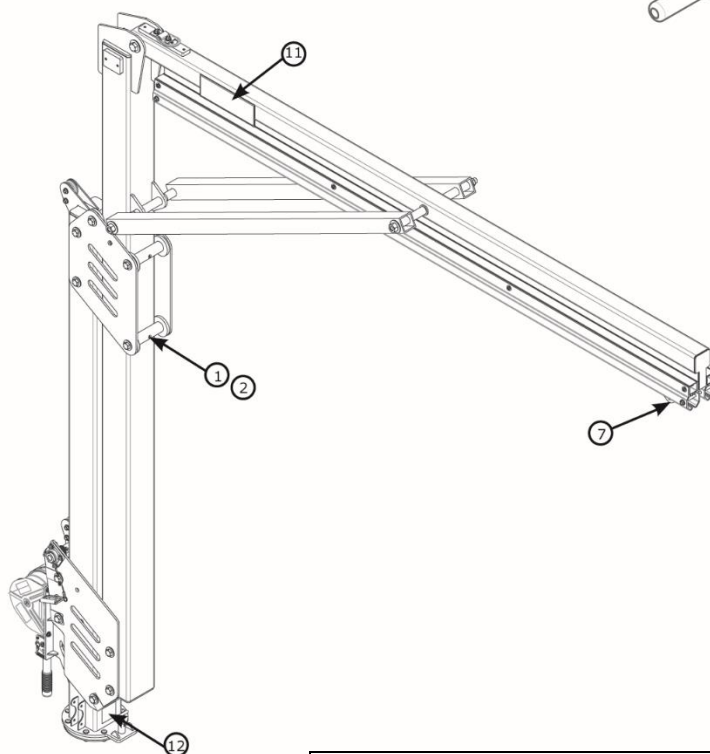
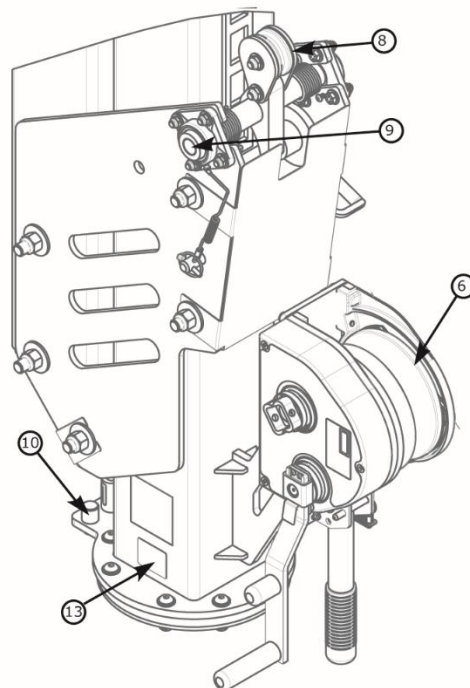
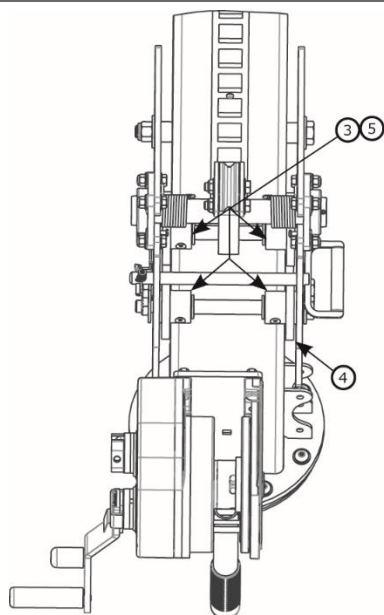
Normy: EN795:2012 Typ E, OSHA 1910.140, OSHA 1926.502



1X



	A	B	C	lb. (kg)
8530891	12.3 ft. – 15.0 ft. (3.8 m – 4.6 m)	13.4 ft. – 16.1 ft. (4.1 m – 4.9 m)	9.8 ft. – 14.8 ft. (3.0 m – 4.5 ft.)	945 lb. (429 kg)
8530892	14.8 ft. – 20.0 ft. (4.5 m – 6.1 m)	15.9 ft. – 21.1 ft. (4.8 m – 6.4 m)	13.5 ft. – 18.7 ft. (4.1 m – 5.7 m)	1,057 lb. (479 kg)
8530893	17.3 ft. – 25.0 ft. (5.3 m – 7.6 m)	18.4 ft. – 26.1 ft. (5.6 m – 8.0 m)	16.0 – 23.7 ft. (4.9 m – 7.2 m)	1,169 lb. (530 kg)
8530894	19.8 ft. – 30.0 ft. (6.0 m – 9.1 m)	20.9 ft. – 31.1 ft. (6.4 m – 9.5 m)	18.5 ft. – 28.7 ft. (5.6 m – 8.7 m)	1,281 lb. (581 kg)



Lista komponentów				
	Numer części	Opis	Material	Ilość
1	8550046	Szeroki wałek	Nylon	3
2	8550047	Przekładka szerokiego wałka	Stal nierdzewna 304	3
3	8550327	Wąski wałek	Nylon	2
4	9514703	Wałek boczny	Nylon	8
5	8550213	Przekładka wąskiego wałka	Stal nierdzewna 304	2
6	8549930	Wyciągarka	Stal	1
7	8521711	Wózek	Stal, Nylon	1

Lista komponentów				
	Numer części	Opis	Material	Ilość
8	8550223	Mechanizm blokujący (tylko autoryzowana naprawa)	Stal, Nylon	1
9	9515138	Łożyska	Stal	2
10	8550398	Blokada obrotu	Aluminium	2
11	9515111	Etykieta 3M	Poliester	2
12	9515101	Etykieta obrotu	Poliester	1
13	9514429	Etykieta identyfikacyjna	Poliester	1
14	9515112	Etykieta użytkownika	Poliester	1

Półstałe ramię wysięgnika modułowego

ARKUSZ DANYCH TECHNICZNYCH: 8530899-8530901





ZASTOSOWANIE:

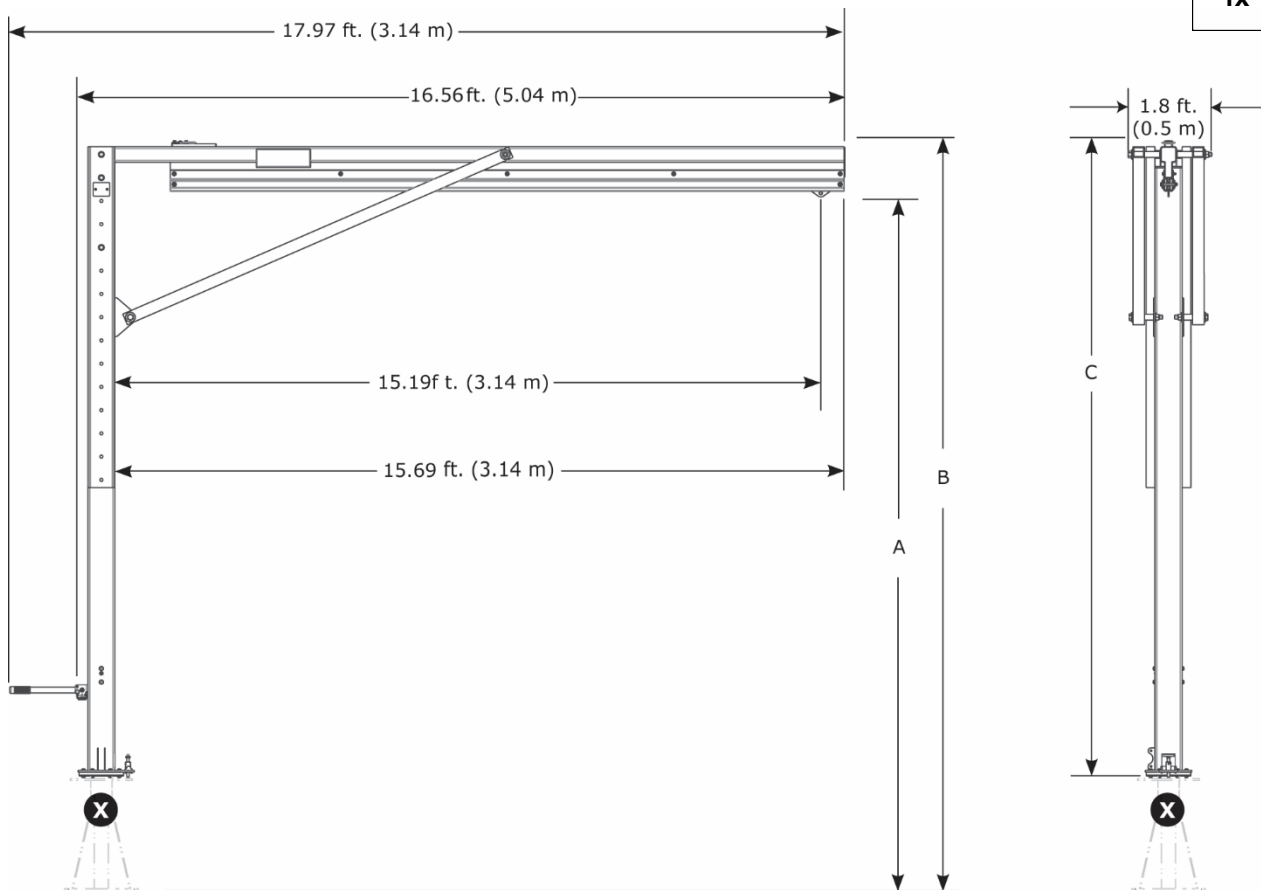
Dźwig jest zaprojektowany tak, aby zapewniać punkty połączenia kotwiczenia dla systemu ochrony przed upadkiem.

Aby uzyskać więcej informacji na temat instalacji produktu, zapoznaj się z instrukcją użytkownika.

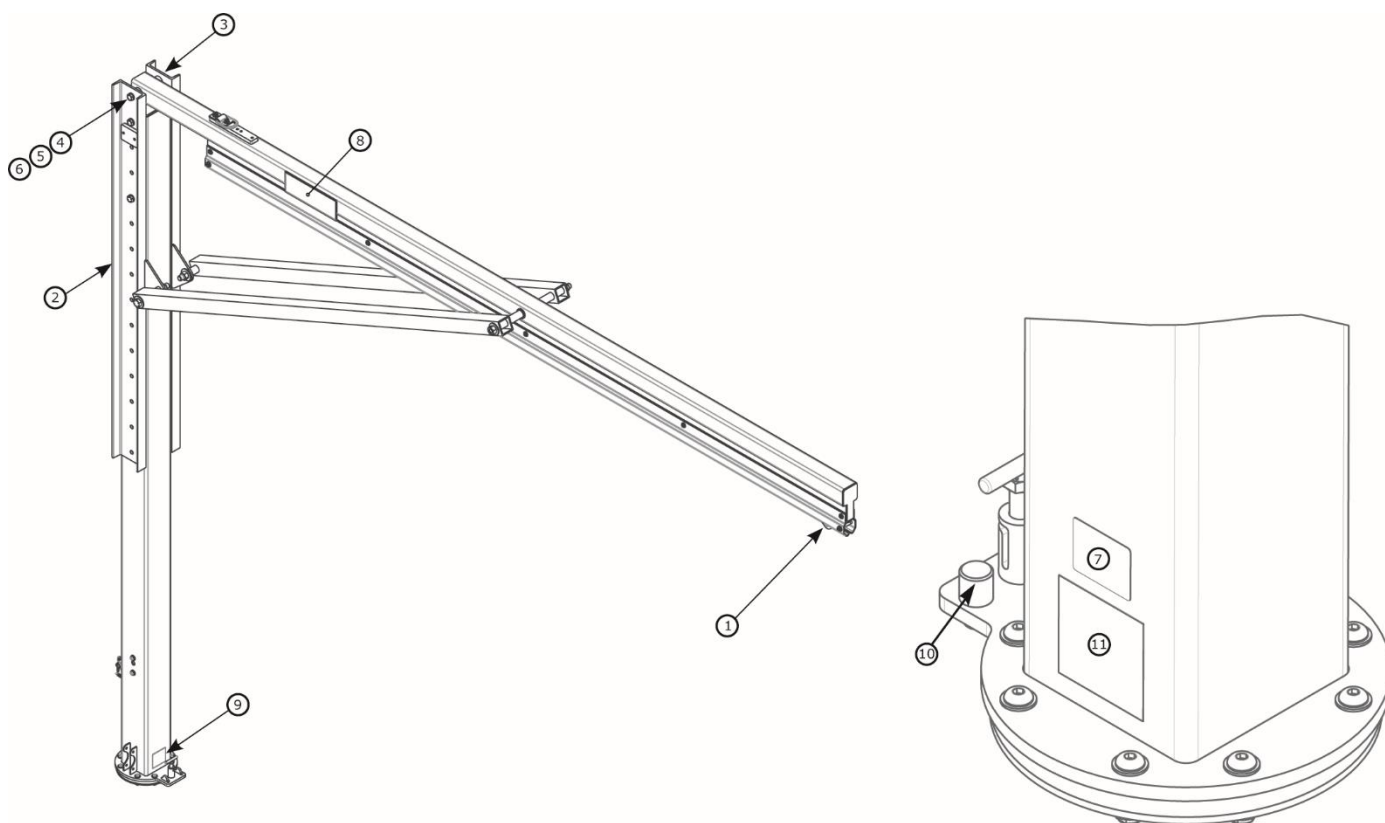
Normy: EN795:2012 Typ E, OSHA 1910.140, OSHA 1926.502


≤ 1350 lb.
(6 kN)

1x

≤ 310 lb.
(140 kg)



	A	B	C	lb. (kg)
8530899	15.0 ft. – 20.0 ft. (4.6 m – 6.1 m)	16.1 ft. – 21.1 ft. (4.9 m – 6.4 m)	13.7 ft. – 18.7 ft. (4.2 m – 5.7 m)	818 lb. (371 kg)
8530900	20.0 ft. – 25.0 ft. (6.1 m – 7.6 m)	21.1 ft. – 26.1 ft. (6.4 m – 7.9 m)	18.7 ft. – 23.7 ft. (5.7 m – 7.2 m)	930 lb. (422 kg)
8530901	25.0 ft. – 30.0 ft. (7.6 m – 9.1 m)	26.1 ft. – 31.1 ft. (7.9 m – 9.6 m)	23.7 ft. – 28.7 ft. (7.2 m – 8.7 m)	1,041 lb. (472 kg)
+6" (152 mm) Regulacja w odstępach				



	Numer części	Opis	Material	Ilość
1	8521711	Wózek	Stal nierdzewna, Stal, Nylon	1
2	8549933	Kanał montażowy do ratownictwa	Stal	1
3	8550248	Kanał	Stal	1
4	8526654	Śruba 3/4" x 9"	Stal	2
5	8522275	Podkładka 3/4"	Stal	4
6	8518276	Nakrętka 3/4"	Stal	2
7	9514429	Etykieta identyfikacyjna	Poliester	1

	Numer części	Opis	Material	Ilość
8	9515111	Etykieta 3M	Poliester	2
9	9515101	Etykieta obrotu	Poliester	1
10	8550398	Blokada obrotu	Aluminium	2
11	9515112	Etykieta użytkownika	Poliester	1

Regulowane ramię wysięgnika modułowego

ARKUSZ DANYCH TECHNICZNYCH: 8530895–8530898

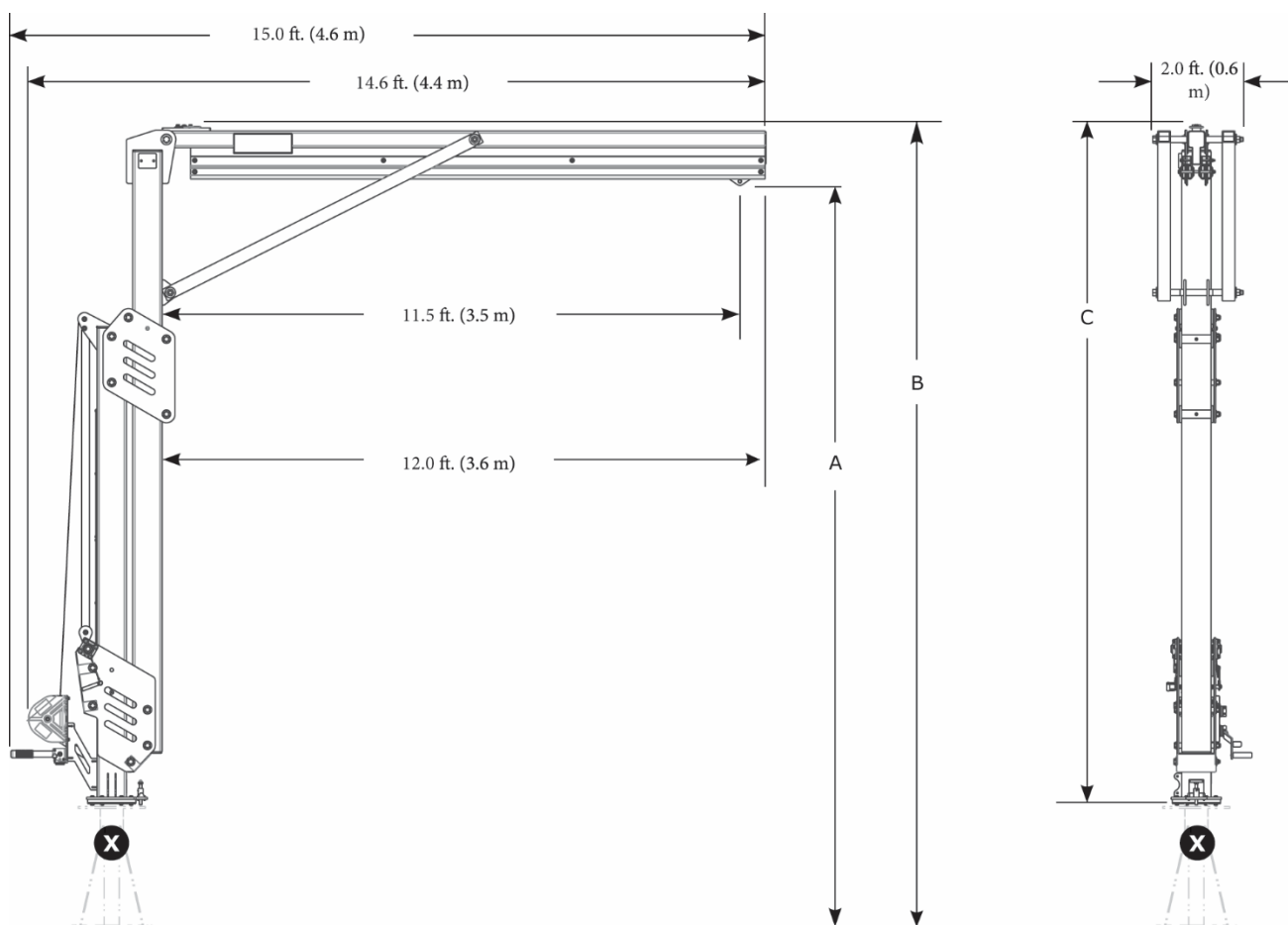
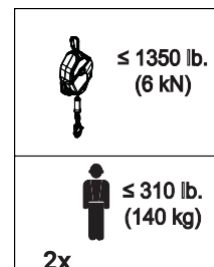


ZASTOSOWANIE:

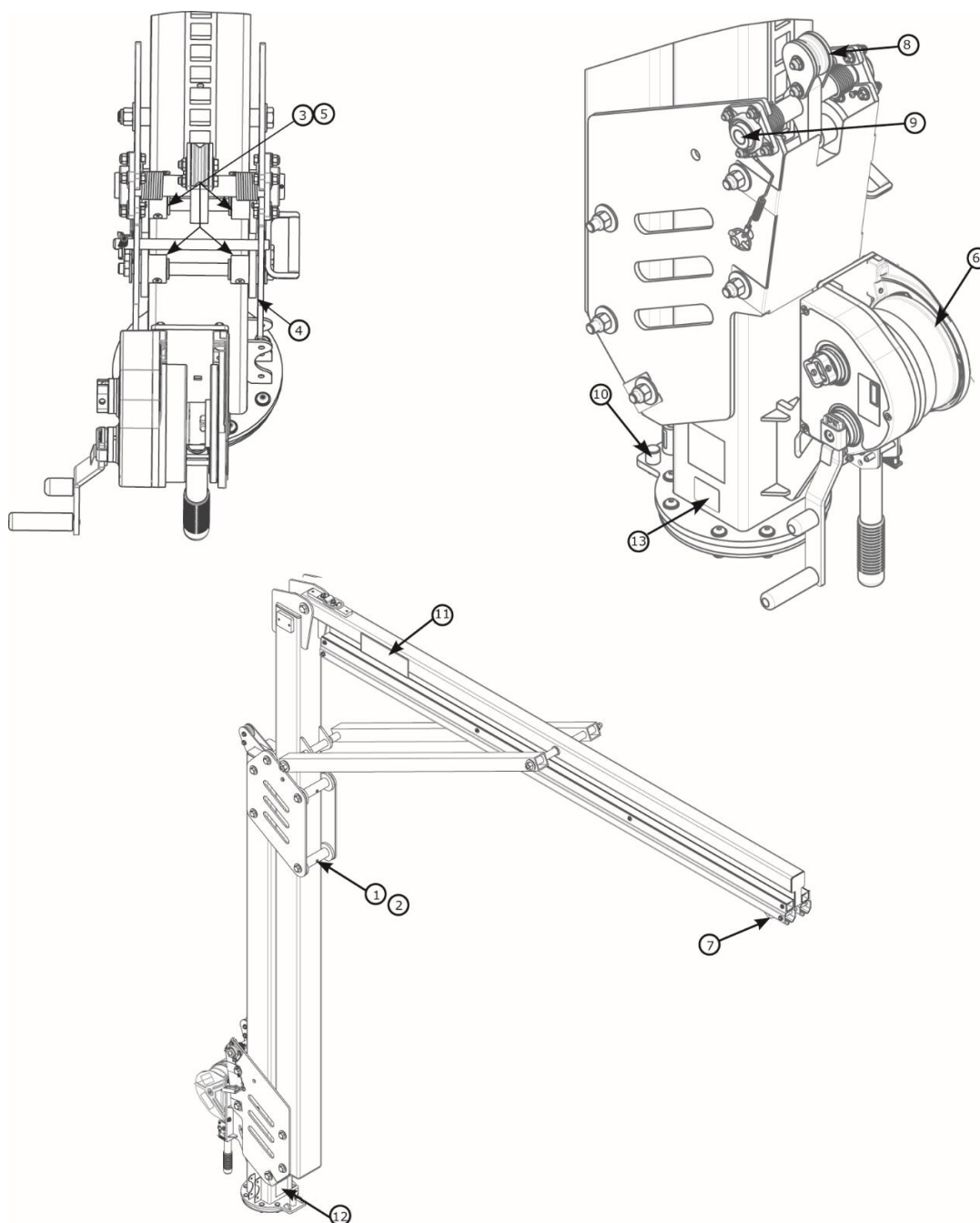
Dźwig jest zaprojektowany tak, aby zapewniać punkty połączenia kotwiczenia dla systemu ochrony przed upadkiem.

Aby uzyskać więcej informacji na temat instalacji produktu, zapoznaj się z instrukcją użytkownika.

Normy: CEN/TS 16415:2013 Typ E, EN795:2012 Typ E, OSHA 1910.140, OSHA 1926.502



	A	B	C	lb. (kg)
8530895	12.3 ft. – 15.0 ft. (3.8 m – 4.6 m)	13.4 ft. – 16.1 ft. (4.1 m – 4.9 m)	11.0 ft. – 13.7 ft. (3.4 m – 4.2 ft.)	1,011 lb. (459 kg)
8530896	14.8 ft. – 20.0 ft. (4.5 m – 6.1 m)	15.9 ft. – 21.1 ft. (4.8 m – 6.4 m)	13.5 ft. – 18.7 ft. (4.1 m – 5.7 m)	1,123 lb. (509 kg)
8530897	17.3 ft. – 25.0 ft. (5.3 m – 7.6 m)	18.4 ft. – 26.1 ft. (5.6 m – 8.0 m)	16.0 – 23.7 ft. (4.9 m – 7.2 m)	1,235 lb. (560 kg)
8530898	19.8 ft. – 30.0 ft. (6.0 m – 9.1 m)	20.9 ft. – 31.1 ft. (6.4 m – 9.5 m)	18.5 ft. – 28.7 ft. (5.6 m – 8.7 m)	1,343 lb. (609 kg)



Lista komponentów

	Numer części	Opis	Material	Ilość
1	8550046	Szeroki wałek	Nylon	3
2	8550047	Przekładka szerokiego wałka	Stal nierdzewna 304	3
3	8550327	Wąski wałek	Nylon	2
4	9514703	Wałek boczny	Nylon	8
5	8550213	Przekładka wąskiego wałka	Stal nierdzewna 304	2
6	8549930	Wyciągarka	Stal	1
7	8521711	Wózek	Stal, Nylon	1

Lista komponentów

	Numer części	Opis	Material	Ilość
8	8550223	Mechanizm blokujący (tylko autoryzowana naprawa)	Stal, Nylon	1
9	9515138	Łożyska	Stal	2
10	8550398	Blokada obrotu	Aluminium	2
11	9515111	Etykieta 3M	Poliester	2
12	9515101	Etykieta obrotu	Poliester	1
13	9514429	Etykieta identyfikacyjna	Poliester	1
14	9515112	Etykieta użytkownika	Poliester	1

Półstałe ramię wysięgnika modułowego

ARKUSZ DANYCH TECHNICZNYCH: 8530902-8530904

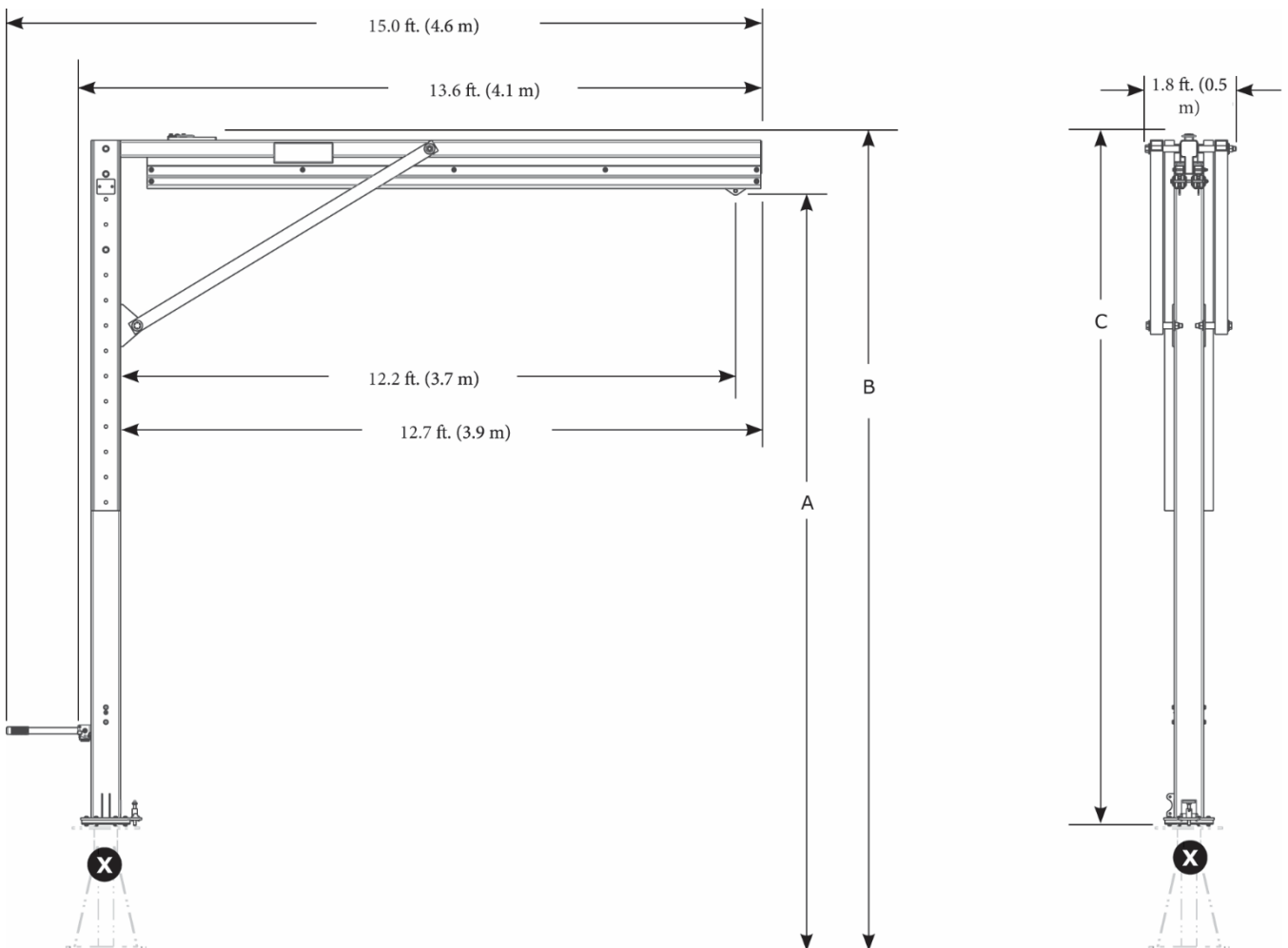
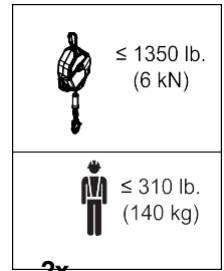


ZASTOSOWANIE:

Dźwig jest zaprojektowany tak, aby zapewniać punkty połączenia kotwiczenia dla systemu ochrony przed upadkiem.

Aby uzyskać więcej informacji na temat instalacji produktu, zapoznaj się z instrukcją użytkownika.

Normy: CEN/TS 16415:2013 Typ E, EN795:2012 Typ E, OSHA 1910.140, OSHA 1926.502

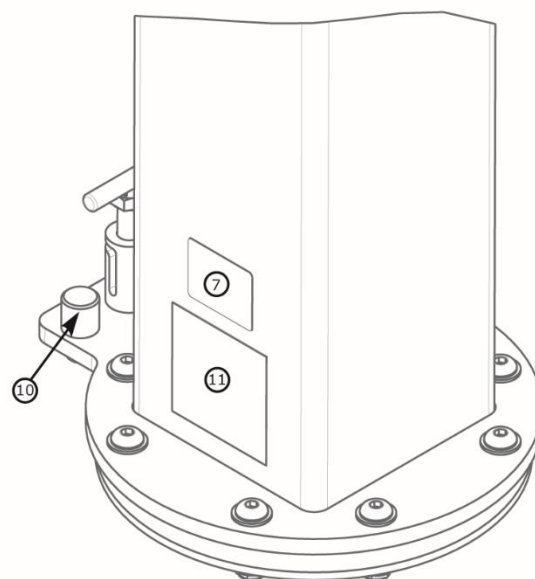
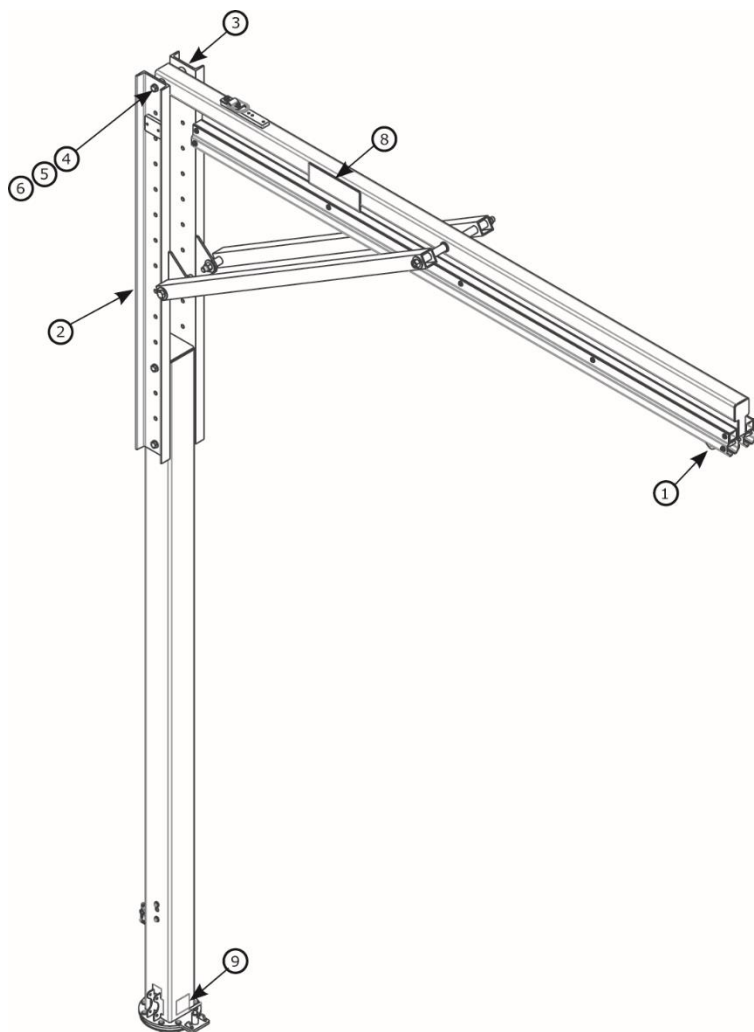


	A	B	C	lb. (kg)
8530902	15.0 ft. – 20.0 ft. (4.6 m – 6.1 m)	16.1 ft. – 21.1 ft. (4.9 m – 6.4 m)	13.7 ft. – 18.7 ft. (4.2 m – 5.7 m)	850 lb. (386 kg)
8530903	20.0 ft. – 25.0 ft. (6.1 m – 7.6 m)	21.1 ft. – 26.1 ft. (6.4 m – 7.9 m)	18.7 ft. – 23.7 ft. (5.7 m – 7.2 m)	961 lb. (436 kg)
8530904	25.0 ft. – 30.0 ft. (7.6 m – 9.1 m)	26.1 ft. – 31.1 ft. (7.9 m – 9.6 m)	23.7 ft. – 28.7 ft. (7.2 m – 8.7 m)	1,073 lb. (487 kg)

Półstałe komponenty ramienia wysięgnika modułowego
ARKUSZ DANYCH TECHNICZNYCH: 8530902-8530904

3M

DBI
SALA®
 Fall Protection



	Numer części	Opis	Material	Ilość
1	8521711	Wózek	Stal nierdzewna, Stal, Nylon	1
2	8549933	Kanał montażowy do ratownictwa	Stal	1
3	8550248	Kanał	Stal	1
4	8526654	Śruba 3/4" x 9"	Stal	2
5	8522275	Podkładka 3/4"	Stal	4
6	8518276	Nakrętka 3/4"	Stal	2
7	9514429	Etykieta identyfikacyjna	Poliester	1

	Numer części	Opis	Material	Ilość
8	9515111	Etykieta 3M	Poliester	2
9	9515101	Etykieta obrotu	Poliester	1
10	8550398	Blokada obrotu	Aluminium	2
11	9515112	Etykieta użytkownika	Poliester	1

Podstawa przeciwwagi M200

ARKUSZ DANYCH TECHNICZNYCH: 8530886, 8530887



ZASTOSOWANIE:

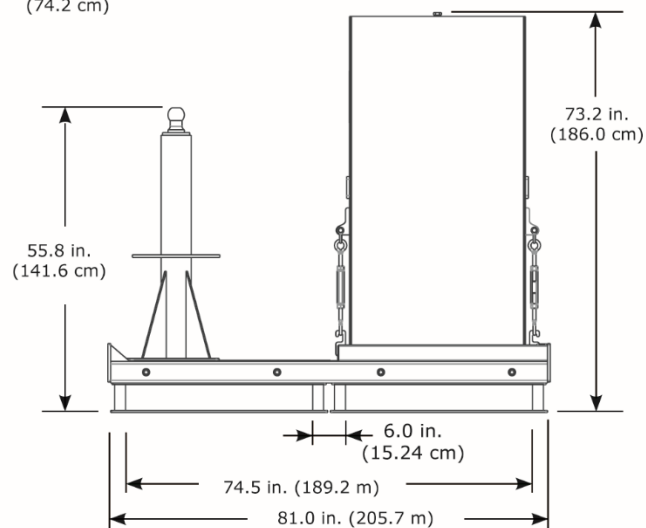
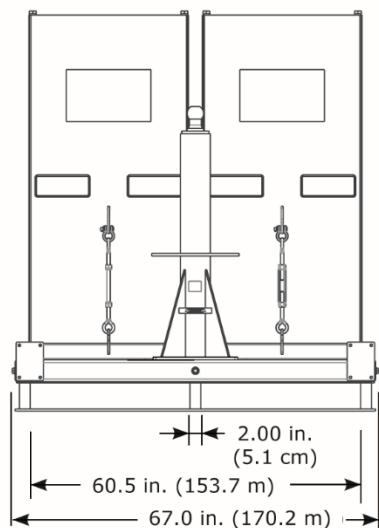
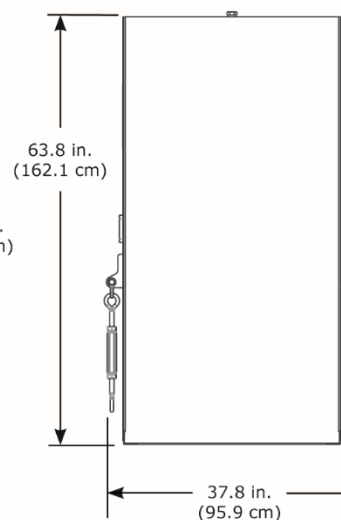
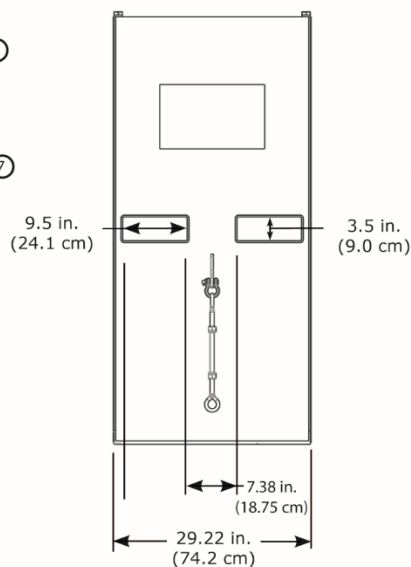
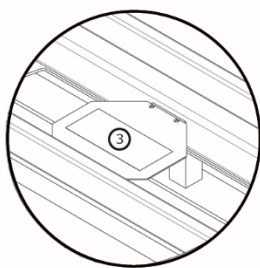
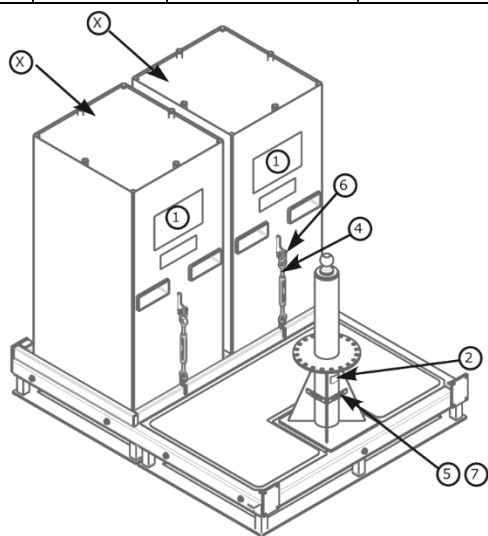
Podstawa dźwigu jest zaprojektowana do użycia jako punkt montażowy dla systemu dźwigu.

Aby uzyskać więcej informacji na temat instalacji produktu, zapoznaj się z instrukcją użytkownika.

Normy: CEN/TS 16415:2013 Typ E, EN795:2012 Typ E, OSHA 1910.140, OSHA 1926.502

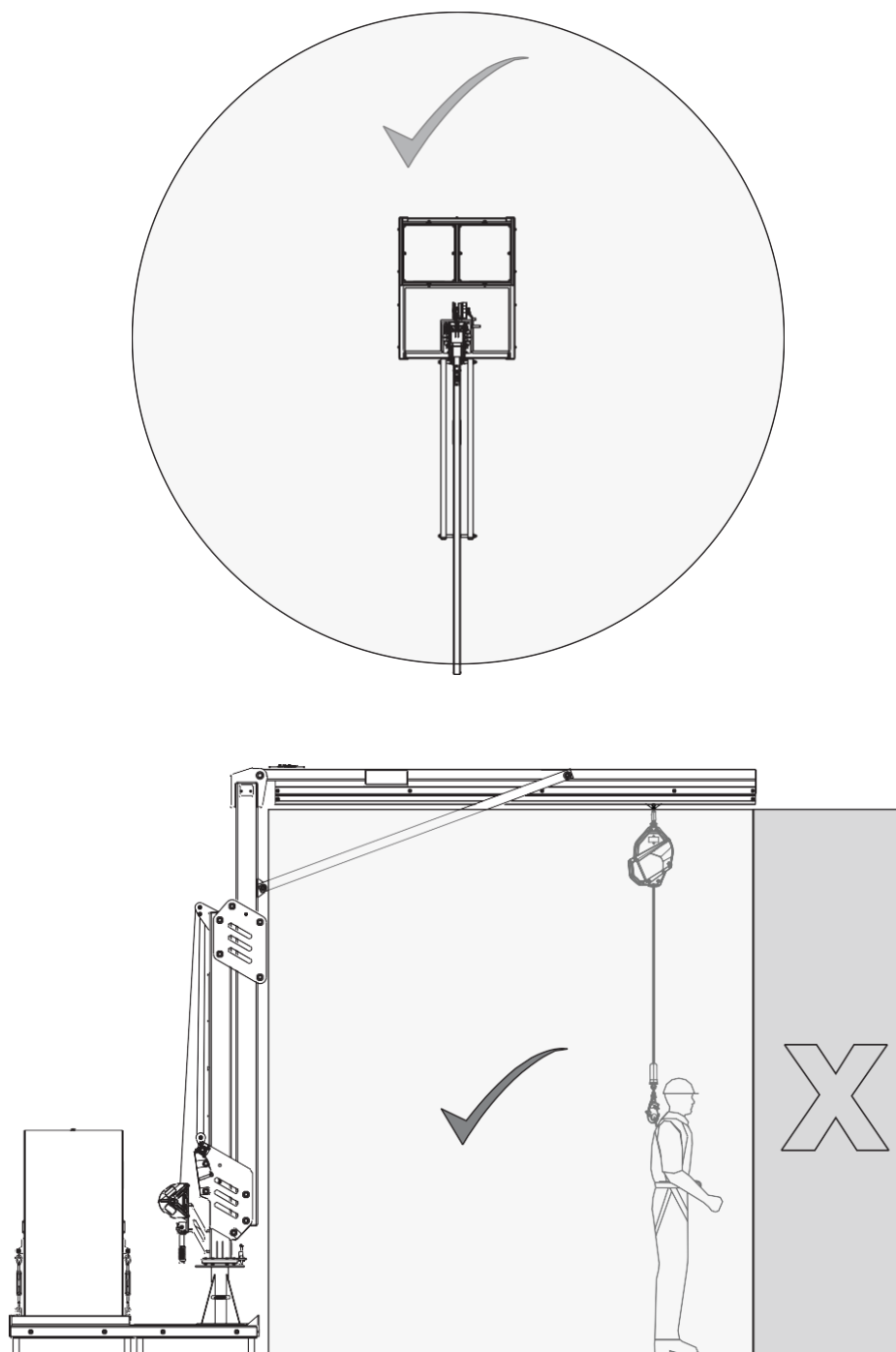
	X 4,000 psi (30 MPa)	Wymagania dotyczące struktury spoczynkowej	Waga
8530886		14,645 lb. (6,643 kg)	2,407 lb. (1,092 kg)
8530887	✓	+ Waga wysięgніка M200	11,325 lb. (5,137 kg)

Lista komponentów				
	Numer części	Opis	Material	Ilość
1	9515107	Etykieta użytkownika	Poliester	1
2	9514429	Etykieta identyfikacyjna	Poliester	1
3	9515106	Etykieta ostrzegawcza	Poliester	1
4	8520575	Śruba rzymska	Stal	2
5	9513627	Śruba #4	Stal	4
6	9501794	Szekla	Stal	2
7	9515058	Libella	Plastik	2
8	9515566	Etykieta ostrzegawcza	Poliester	4



ZASTOSOWANIE:

Zapoznaj się z poniższym diagramem, aby zobaczyć obszar roboczy produktu.

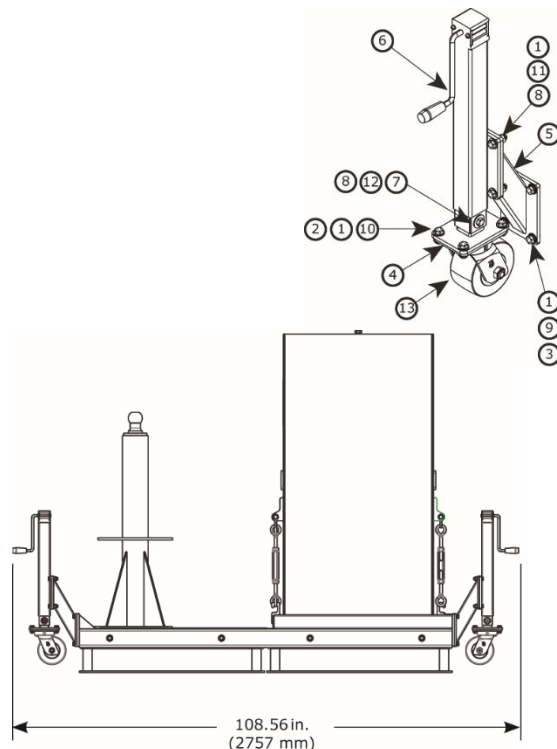


Akcesoria do podstawy przeciwwagi M200

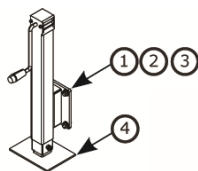
ARKUSZ DANYCH TECHNICZNYCH: 8530907, 8530908, 8530777



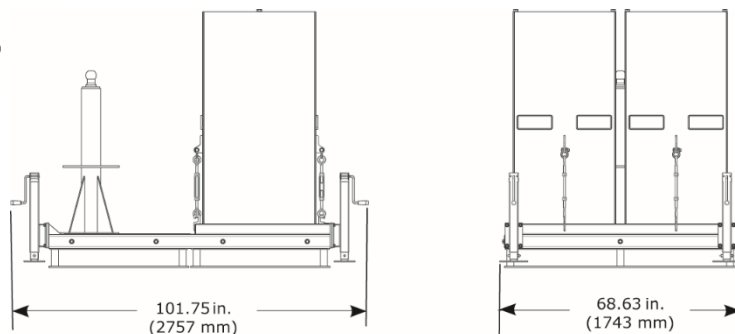
Lista komponentów				
	Numer części	Opis	Material	Ilość
1	8510037	Podkładka 1/2"	Stal	80
2	8512460	Śruba 1/2" x 1 1/4"	Stal	16
3	8518432	Śruba 1/2" x 1"	Stal	16
4	8550153	Spawany element koła	Stal	4
5	8550155	Spawany element kątowy	Stal	4
6	8550156	Spawany element montowany	Stal	4
7	9501243	Podkładka 1/2"	Stal	8
8	9501831	Nakrętka sześciokątna 1/2"	Stal	20
9	9504221	Podkładka 1/2"	Stal	16
10	9504813	Nakrętka sześciokątna 1/2"	Stal	16
11	9509276	Śruba 1/2" x 1 3/4"	Stal	16
12	9510153	Śruba 1/2" x 3 1/4"	Stal	4
13	9515081	Koło obrotowe	Stal, Uretan	4



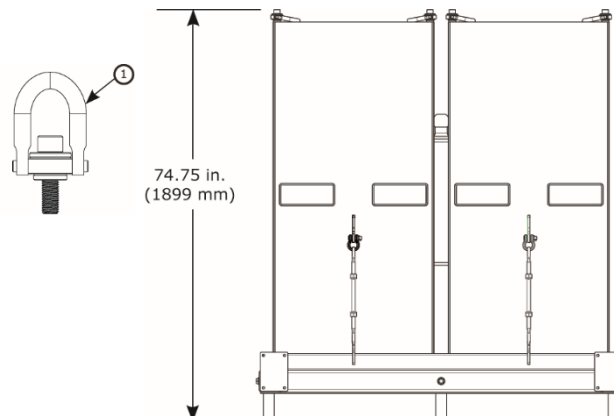
	8530907	8530908	8530777
Waga	108 lb. (49 kg)	152 lb. (69 kg)	12 lb. (5.4 kg)



	Numer części	Opis	Material	Ilość
1	9504221	Podkładka sprężysta 1/2"	Stal	16
2	8510037	Podkładka 1/2"	Stal	16
3	8518432	Śruba 1/2" x 1"	Stal	16
4	8550177	Spawany element koła	Stal	4




Lista komponentów				
	Numer części	Opis	Material	Ilość
1	9512574	Pierścień podnoszący	Stal	4




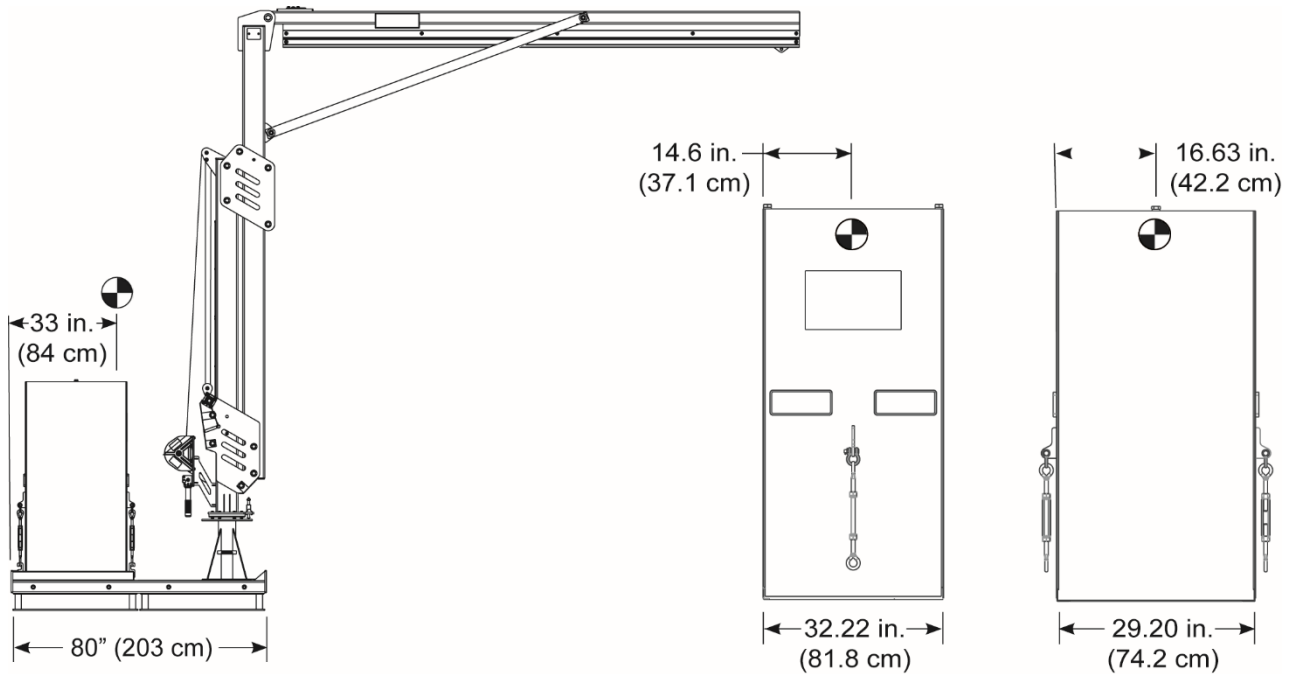
Środek ciężkości podstawy przeciwwagi M200

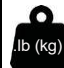
ARKUSZ DANYCH TECHNICZNYCH: 8530886, 8530887




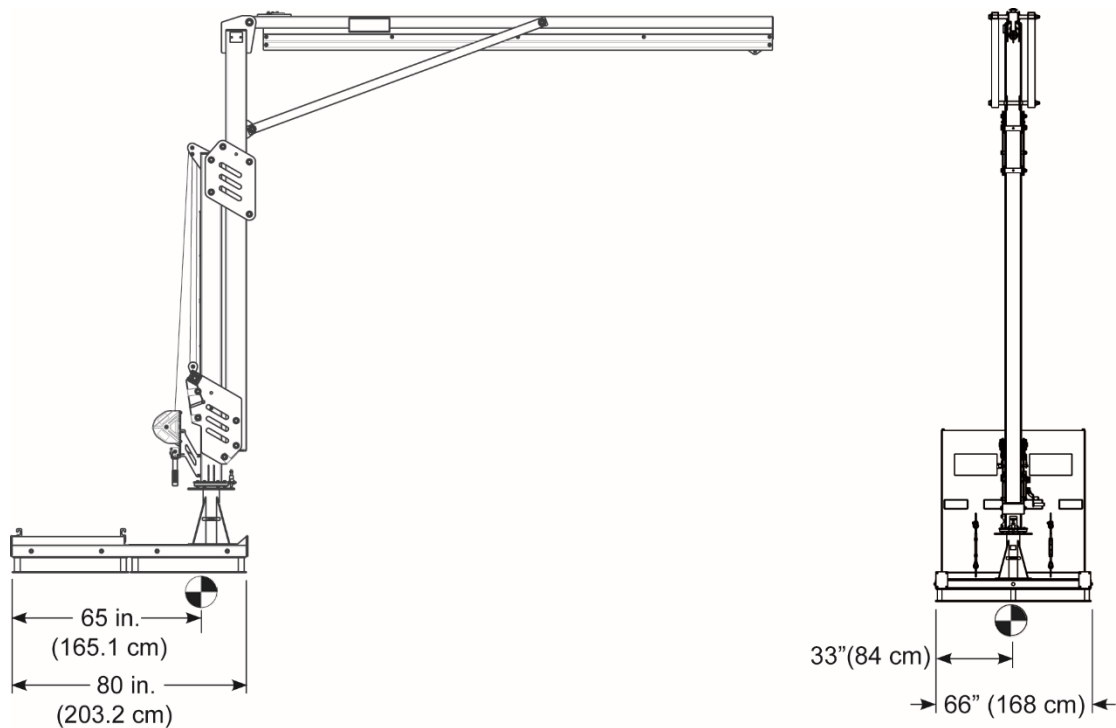
8530887	8530898
 .lb (kg)	12,668 lbs. (5,746 kg)

 .lb (kg)	5,000 lbs. (2,268 kg)
--	--------------------------



8530887	8530898
 .lb (kg)	2,668 lbs. (1,210 kg)

8530887	8530898
 .lb (kg)	12,668 lbs. (5,746 kg)



Podstawa montażu na podłodze M200

ARKUSZ DANYCH TECHNICZNYCH: 8530888



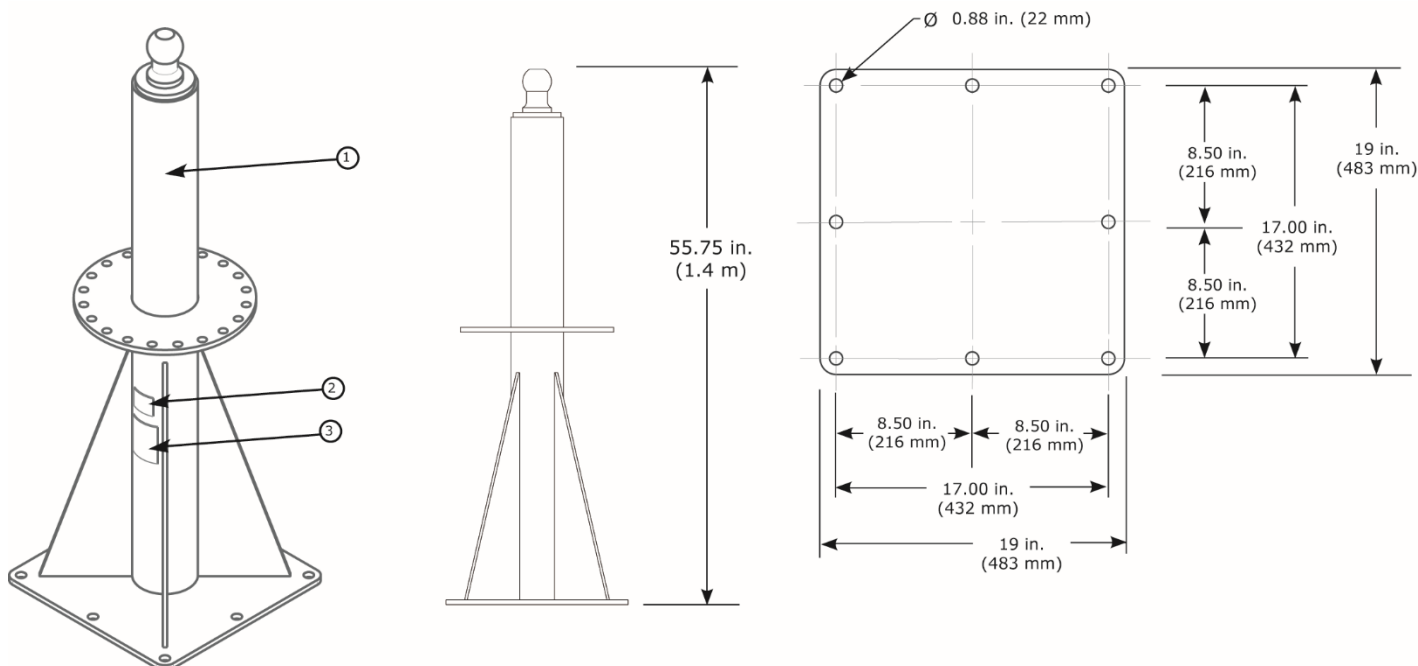
ZASTOSOWANIE:

Podstawa dźwigu jest zaprojektowana do użycia jako punkt montażowy dla systemu dźwigu.

Aby uzyskać więcej informacji na temat instalacji produktu, zapoznaj się z instrukcją użytkownika.

Normy: CEN/TS 16415:2013 Typ A, EN795:2012 Typ A, OSHA 1910.140, OSHA 1926.502

	Waga
8530888	265 lb. (120 kg)



Lista komponentów				
	Numer części	Opis	Material	Ilość
1	8549921	Spawany element podstawy	Stal	1
2	9514429	Etykieta identyfikacyjna	Poliester	1
3	9515114	Etykieta użytkownika	Poliester	1

Wymagania dotyczące montażu		
Minimalna siła wyciągania łącznika	Minimalne obciążenie momentem konstrukcji montażowej	Minimalne obciążenie pionowe konstrukcji montażowej
9,386 lb. (4,257 kg)	501,633 in.-lb. (56,677 N-m)	3,320 lb. (1,506 kg) + Waga podstawy + waga wysięgnika M200

Podstawa montażu na równi z podłogą M200
ARKUSZ DANYCH TECHNICZNYCH: 8530889, 8530920, 8530921



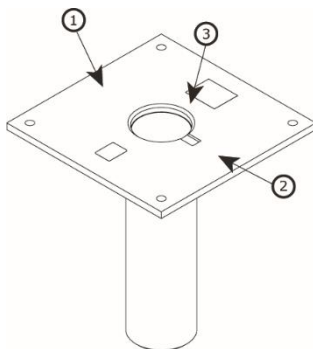
ZASTOSOWANIE:

Podstawa dźwigu jest zaprojektowana do użycia jako punkt montażowy dla systemu dźwigu.

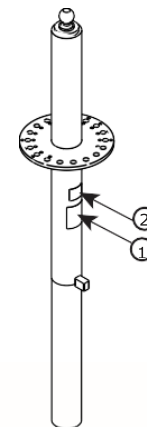
Aby uzyskać więcej informacji na temat instalacji produktu, zapoznaj się z instrukcją użytkownika.

Normy: CEN/TS 16415:2013, EN795:2012 Typ A, OSHA 1910.140, OSHA 1926.502

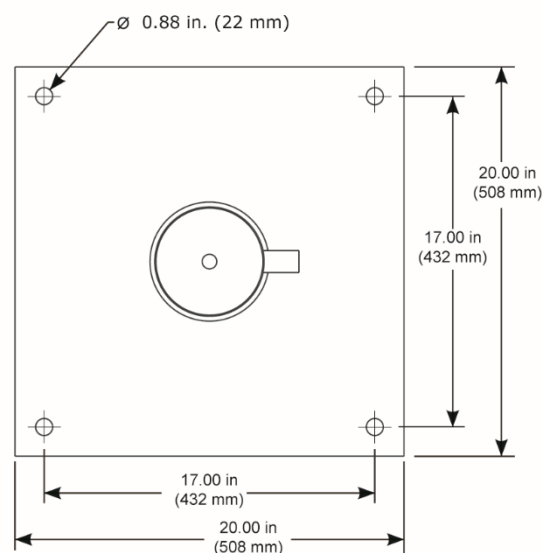
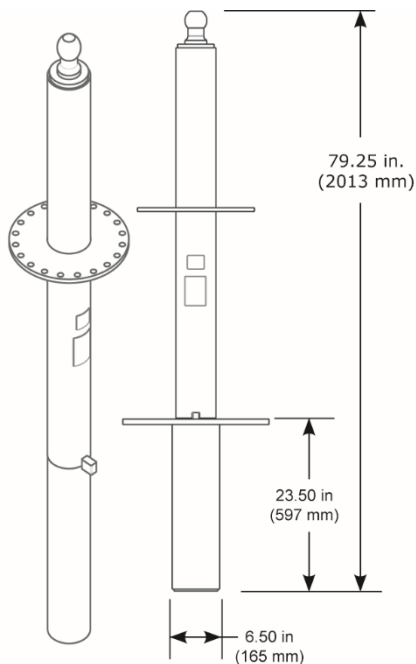
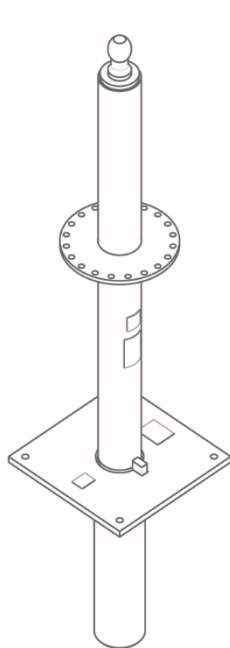
	Waga
8530920	140 lb. (64 kg)



	Waga
8530921	237 lb. (107 kg)



	Waga
8530889	377 lb. (171 kg)

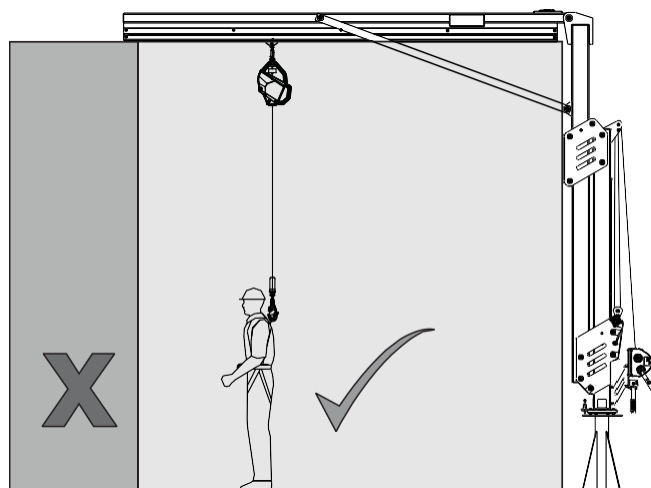
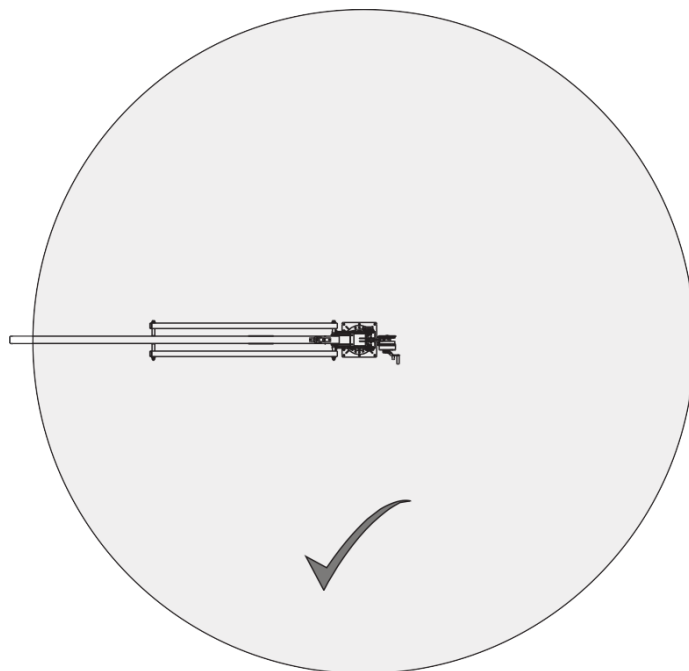


Lista komponentów				
	Numer części	Opis	Materiał	Ilość
1	9515114	Etykieta użytkownika	Poliester	1
2	9514429	Etykieta identyfikacyjna	Poliester	1
3	8550165	Nakładka podstawy	Aluminium, Guma	1

Wymagania dotyczące montażu	
Minimalne obciążenie momentem konstrukcji montażowej	Minimalne obciążenie pionowe konstrukcji montażowej
501,633 in-lb. (56,677 N-m)	3,320 lb. (1,506 kg) + Waga podstawy + waga wysięgnika M200

ZASTOSOWANIE:

Zapoznaj się z poniższym diagramem, aby zobaczyć obszar roboczy produktu.



Zestaw kieszeni na widły

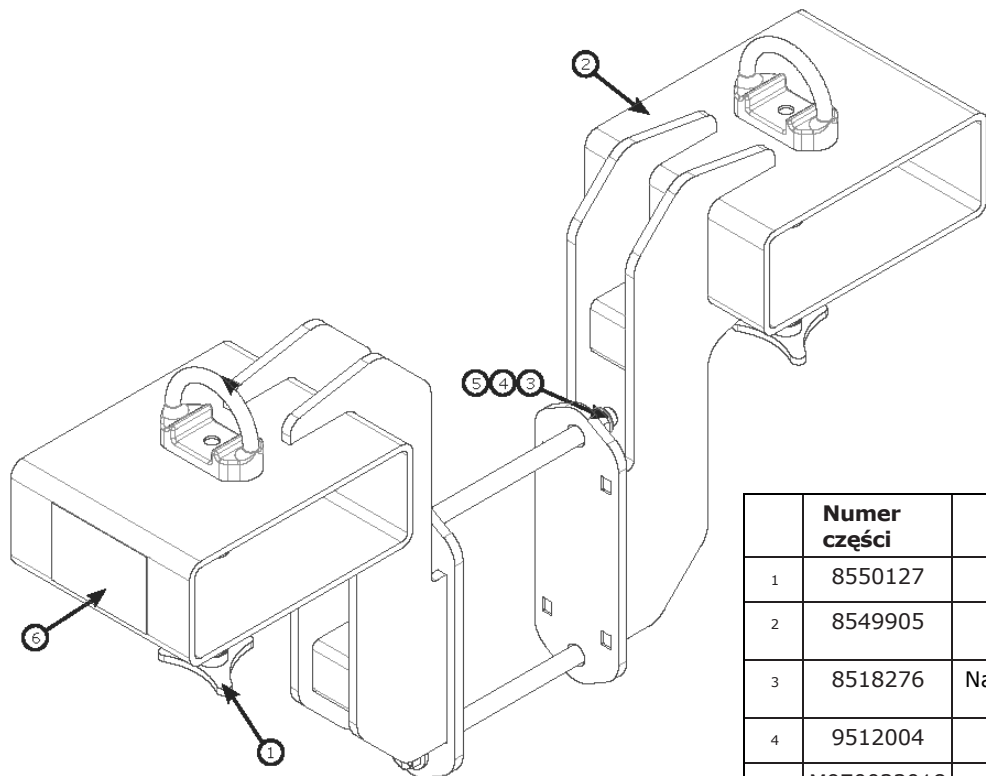
ARKUSZ DANYCH TECHNICZNYCH: 8530912



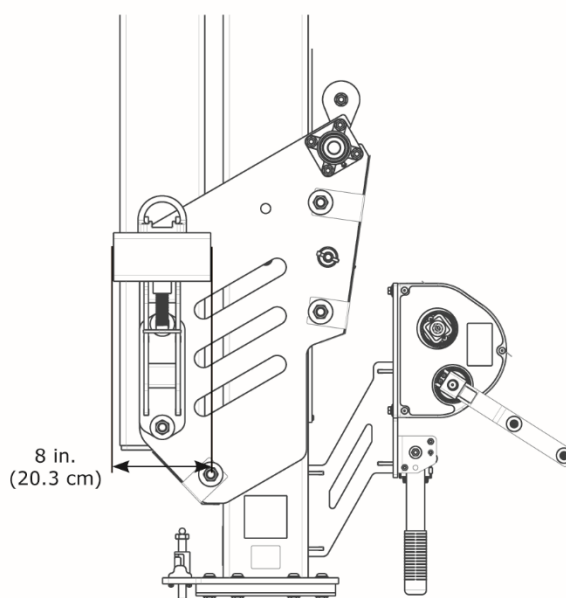
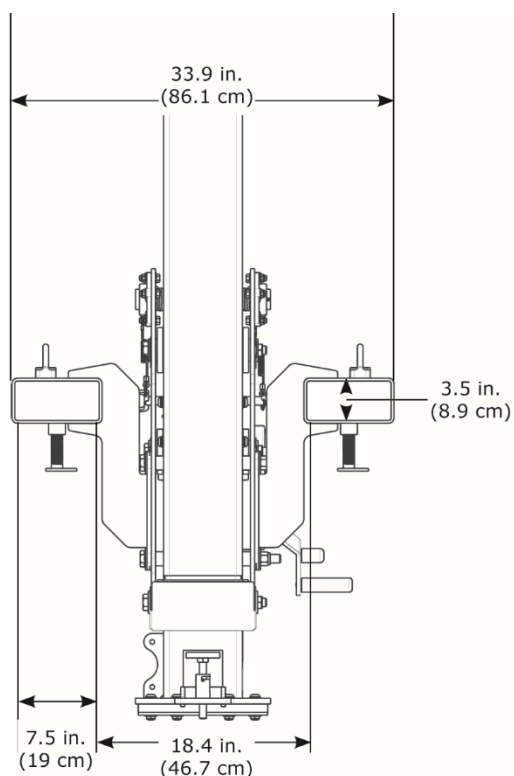
ZASTOSOWANIE:

Ten model zestawu kieszeni na widły jest zaprojektowany do transportu modeli dźwigu obsługiwanych wyciągarką **8530891-8530898**.

Aby uzyskać więcej informacji na temat instalacji komponentów, zapoznaj się z instrukcją użytkownika.



	Numer części	Opis	Ilość
1	8550127	Trójśruba	2
2	8549905	Spawany element kieszeni na widły	2
3	8518276	Nakrętka sześciokątna 3/4"	2
4	9512004	Śruba 3/4" x 12"	2
5	M970033018	Podkładka 3/4"	4
6	9515122	Etykieta użytkownika	1
	9500146	Ogniwo łańcucha	2
	8517096	Łańcuch	10 ft.



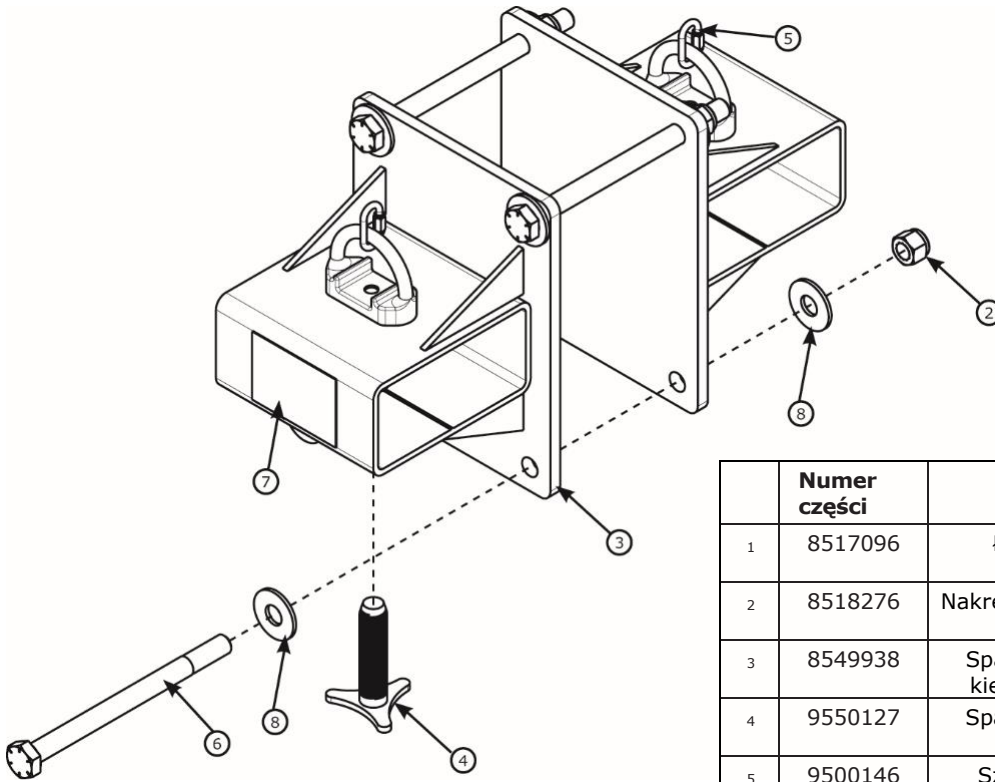
Zestaw kieszeni na widły

ARKUSZ DANYCH TECHNICZNYCH: 8530925

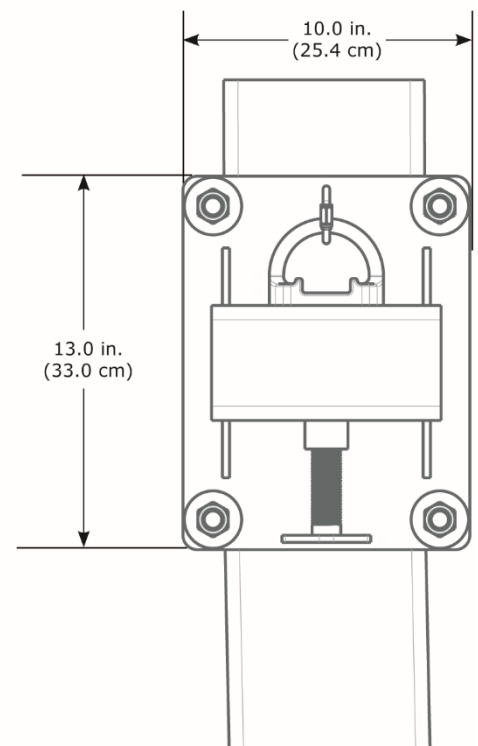
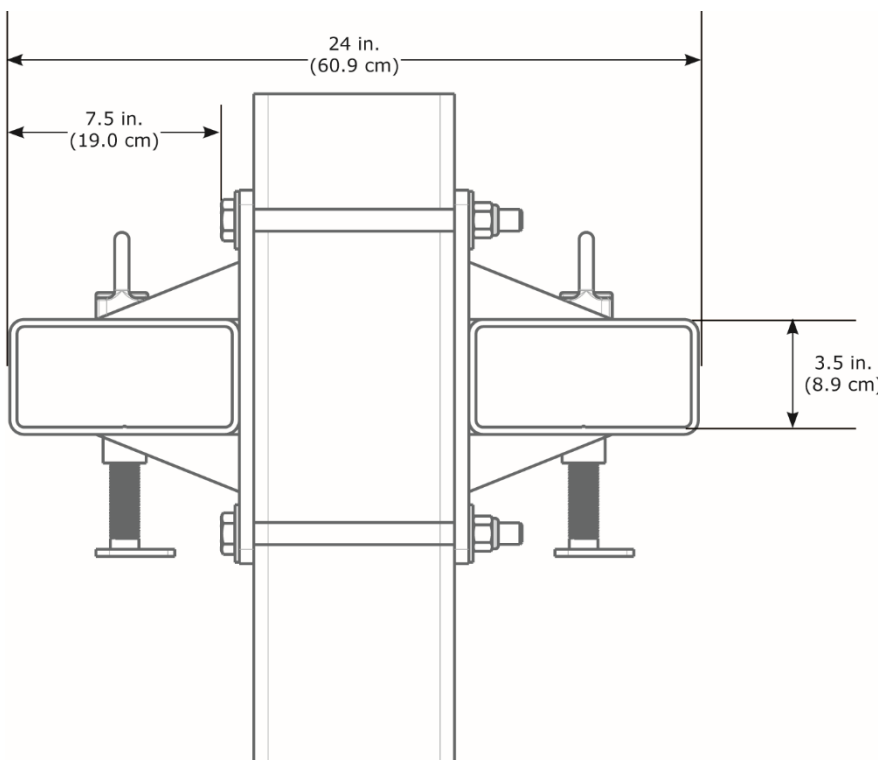


ZASTOSOWANIE:

This fork pocket kit model is designed to transport the davit with adjustment channel models **8530899–8530904**.
 Aby uzyskać więcej informacji na temat instalacji komponentów, zapoznaj się z instrukcją użytkownika.



	Numer części	Opis	Ilość
1	8517096	Łańcuch (nie pokazano)	10 ft.
2	8518276	Nakrętka sześciokątna 3/4"	4
3	8549938	Spawany element kieszeni na widły	2
4	9550127	Spawany element trójśruby	2
5	9500146	Szybkie ogniwo	2
6	9514294	Śruba z łbem sześciokątnym 3/4"	4
7	9515573	Etykieta ostrzegawcza	1
8	M970033018	Podkładka 3/4"	8



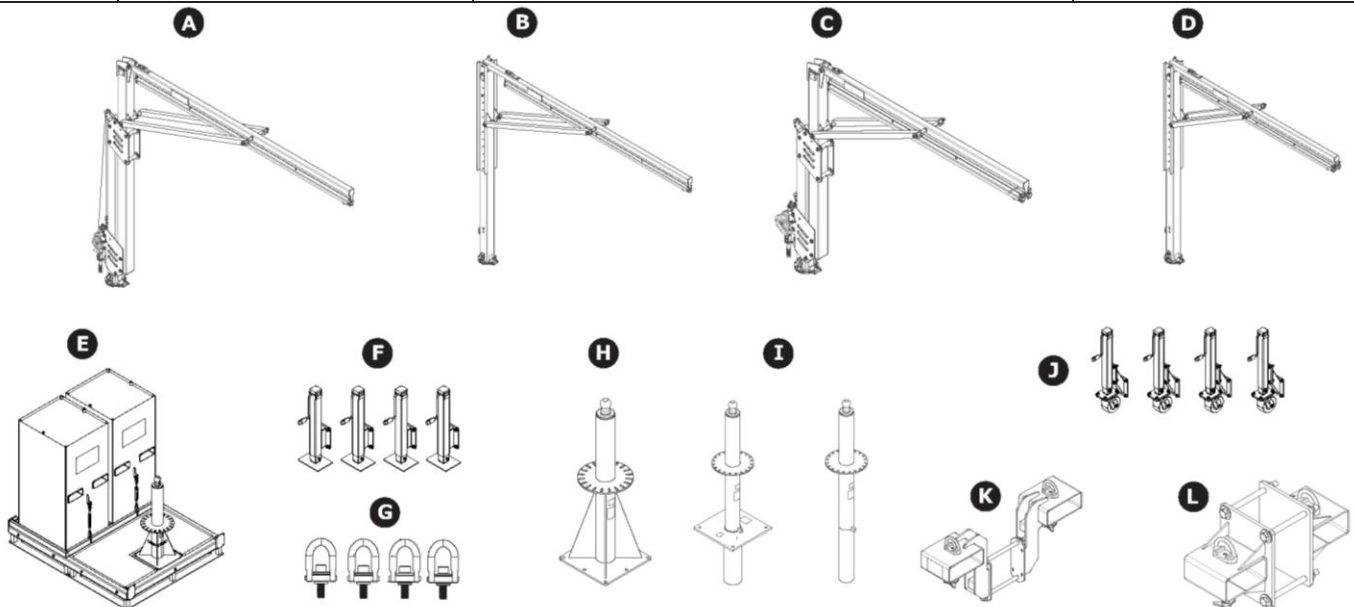


Fall Protection

3M™ DBI-SALA® Sistemas Davit M200

Ficha Técnica Pacote 5908526 Rev. D

Chamada	Ficha Técnica	Descrição	Página
A	8530891	12.3 ft.–15 ft. (3.8 m–4.6 m) Davit Ajustável	398
	8530892	14.8 ft.–20 ft. (4.5 m–6.1 m) Davit Ajustável	398
	8530893	17.3 ft.–25 ft. (5.3 m–7.6 m) Davit Ajustável	398
	8530894	19.8 ft.–30 ft. (6.1 m–9.1 m) Davit Ajustável	398
B	8530899	15 ft.–20 ft. (4.6 m–6.1 m) Davit Semi-Fixo	400
	8530900	20 ft.–25 ft. (6.1 m–7.6 m) Davit Semi-Fixo	400
	8530901	25 ft.–30 ft. (7.6 m–9.1 m) Davit Semi-Fixo	400
C	8530895	12.3 ft.–15 ft. (3.8 m–4.6 m) Davit Ajustável	402
	8530896	14.8 ft.–20 ft. (4.5 m–6.1 m) Davit Ajustável	402
	8530897	17.3 ft.–25 ft. (5.3 m–7.6 m) Davit Ajustável	402
	8530898	19.8 ft.–30 ft. (6.1 m–9.1 m) Davit Ajustável	402
D	8530902	15 ft.–20 ft. (4.6 m–6.1 m) Davit Semi-Fixo	404
	8530903	20 ft.–25 ft. (6.1 m–7.6 m) Davit Semi-Fixo	404
	8530904	25 ft.–30 ft. (7.6 m–9.1 m) Davit Semi-Fixo	404
E	8530886	Base de Contrapeso Não Preenchida	406
	8530887	Base de Contrapeso Preenchida	406
F	8530907	Macacos de Base de Contrapeso	408
G	8530777	Anéis de Elevação de Base de Contrapeso	408
H	8530888	Base de Montagem no Chão	410
I	8530889, 8530920, 8530921	Base de Montagem Rente	411
J	8530908	Rodas de Base de Contrapeso	408
K	8530912	Kit de Bolsas para Garfo	413
L	8530925	Kit de Bolsas para Garfo	414



Davit Ajustável

FICHA TÉCNICA: 8530891-8530894





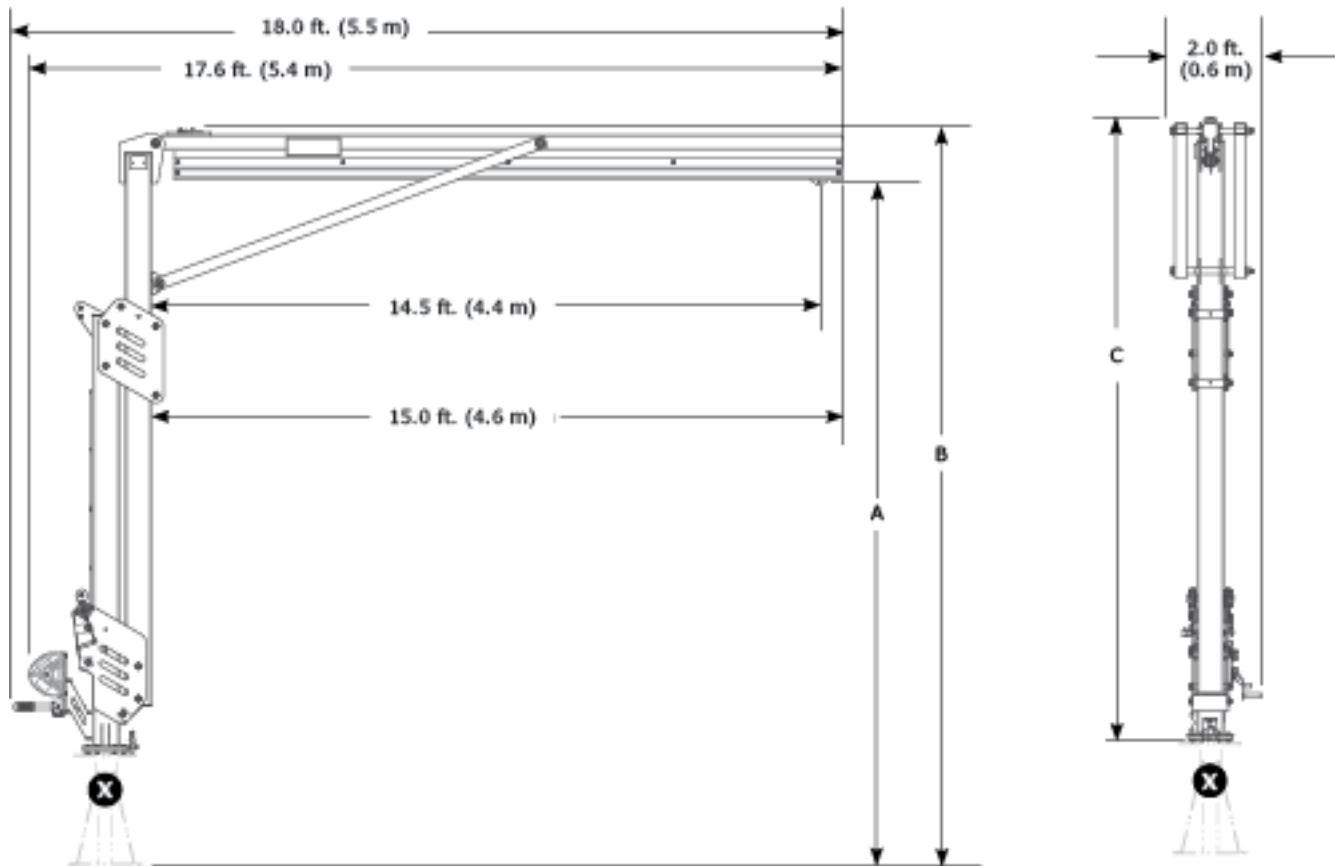
APLICAÇÃO:

O davit é projetado para fornecer pontos de conexão de ancoragem para um sistema de Proteção Contra Quedas.

Para mais informações sobre a instalação do produto, consulte as instruções do usuário.

Normas: EN795:2012 Tipo E, OSHA 1910.140, OSHA 1926.502

	≤ 1350 lb. (6 kN)
	≤ 310 lb. (140 kg)
1x	



	A	B	C	lb. (kg)
8530891	12.3 ft. – 15.0 ft. (3.8 m – 4.6 m)	13.4 ft. – 16.1 ft. (4.1 m – 4.9 m)	9.8 ft. – 14.8 ft. (3.0 m – 4.5 ft.)	945 lb. (429 kg)
8530892	14.8 ft. – 20.0 ft. (4.5 m – 6.1 m)	15.9 ft. – 21.1 ft. (4.8 m – 6.4 m)	13.5 ft. – 18.7 ft. (4.1 m – 5.7 m)	1,057 lb. (479 kg)
8530893	17.3 ft. – 25.0 ft. (5.3 m – 7.6 m)	18.4 ft. – 26.1 ft. (5.6 m – 8.0 m)	16.0 – 23.7 ft. (4.9 m – 7.2 m)	1,169 lb. (530 kg)
8530894	19.8 ft. – 30.0 ft. (6.0 m – 9.1 m)	20.9 ft. – 31.1 ft. (6.4 m – 9.5 m)	18.5 ft. – 28.7 ft. (5.6 m – 8.7 m)	1,281 lb. (581 kg)

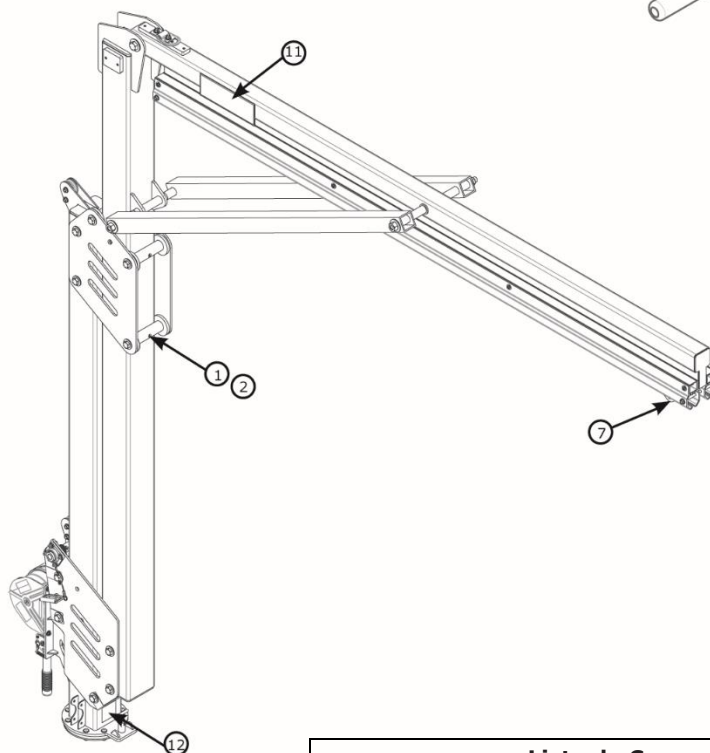
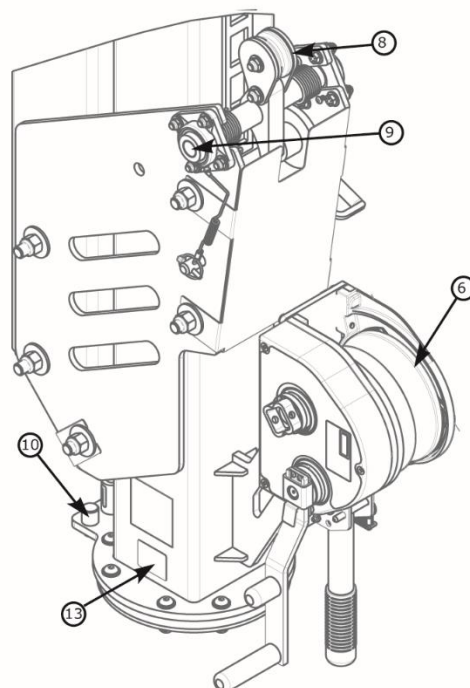
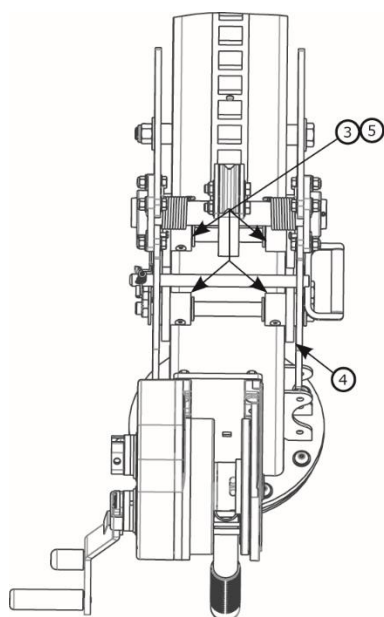
Componentes do Davit Ajustável

FICHA TÉCNICA: 8530891-8530894

3M

**DBI
SALA**

Fall Protection



Lista de Componentes				
	Número da Peça	Descrição	Material	Quantidade
1	8550046	Rolo Largo	Nylon	3
2	8550047	Espaçador do Rolo Largo	Aço Inoxidável 304	3
3	8550327	Rolo Estreito	Nylon	2
4	9514703	Rolo Lateral	Nylon	8
5	8550213	Espaçador do Rolo Estreito	Aço Inoxidável 304	2
6	8549930	Guincho	Aço	1
7	8521711	Trole	Aço, Nylon	1

Lista de Componentes				
	Número da Peça	Descrição	Material	Quantidade
8	8550223	Mecanismo de Bloqueio (apenas reparo autorizado)	Aço, Nylon	1
9	9515138	Rolamentos	Aço	2
10	8550398	Parada de Rotação	Alumínio	2
11	9515111	Etiqueta 3M	Poliéster	2
12	9515101	Etiqueta de Rotação	Poliéster	1
13	9514429	Etiqueta de Identificação	Poliéster	1
14	9515112	Etiqueta do Usuário	Poliéster	1

Davit Semi-Fixo

FICHA TÉCNICA: 8530899-8530901





APLICAÇÃO:

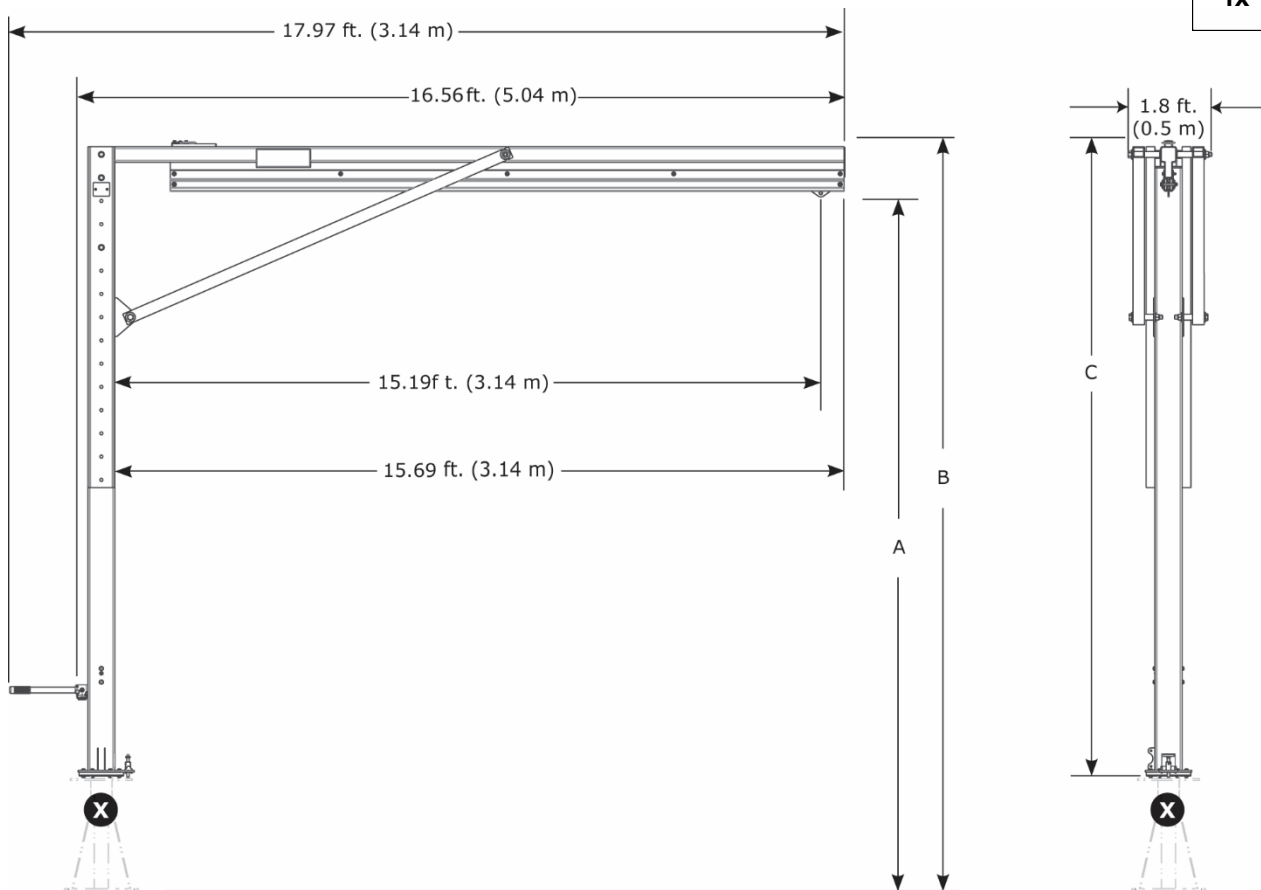
O davit é projetado para fornecer pontos de conexão de ancoragem para um sistema de Proteção Contra Quedas.

Para mais informações sobre a instalação do produto, consulte as instruções do usuário.

Normas: EN795:2012 Tipo E, OSHA 1910.140, OSHA 1926.502


≤ 1350 lb.
(6 kN)

1x

≤ 310 lb.
(140 kg)



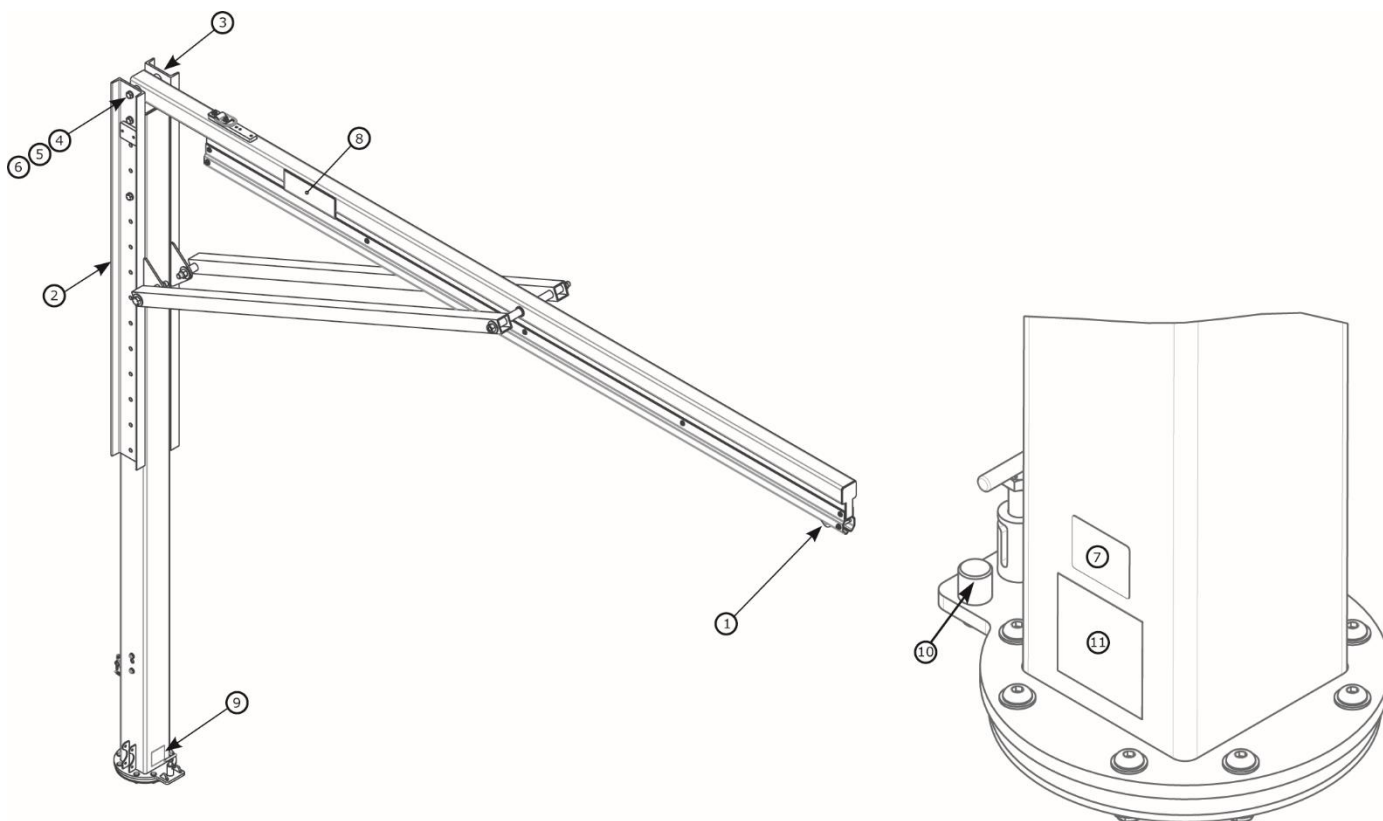
	A	B	C	lb. (kg)
8530899	15.0 ft. – 20.0 ft. (4.6 m – 6.1 m)	16.1 ft. – 21.1 ft. (4.9 m – 6.4 m)	13.7 ft. – 18.7 ft. (4.2 m – 5.7 m)	818 lb. (371 kg)
8530900	20.0 ft. – 25.0 ft. (6.1 m – 7.6 m)	21.1 ft. – 26.1 ft. (6.4 m – 7.9 m)	18.7 ft. – 23.7 ft. (5.7 m – 7.2 m)	930 lb. (422 kg)
8530901	25.0 ft. – 30.0 ft. (7.6 m – 9.1 m)	26.1 ft. – 31.1 ft. (7.9 m – 9.6 m)	23.7 ft. – 28.7 ft. (7.2 m – 8.7 m)	1,041 lb. (472 kg)
+6" (152 mm) incrementos de ajuste				

Componentes do Davit Semi-Fixo

FICHA TÉCNICA: 8530899-8530901



Fall Protection



	Número da Peça	Descrição	Material	Quantidade
1	8521711	Trolley	Stainless Steel, Steel, Nylon	1
2	8549933	Rescue Mount Channel	Steel	1
3	8550248	Channel	Steel	1
4	8526654	3/4" x 9" Bolt	Steel	2
5	8522275	3/4" Washer	Steel	4
6	8518276	3/4" Nut	Steel	2
7	9514429	ID Label	Polvester	1

	Número da Peça	Descrição	Material	Quantidade
8	9515111	3M Label	Polyester	2
9	9515101	Rotation Label	Polyester	1
10	8550398	Rotation Stop	Aluminum	2
11	9515112	User Label	Polvester	1

Davit Ajustável

FICHA TÉCNICA: 8530895-8530898

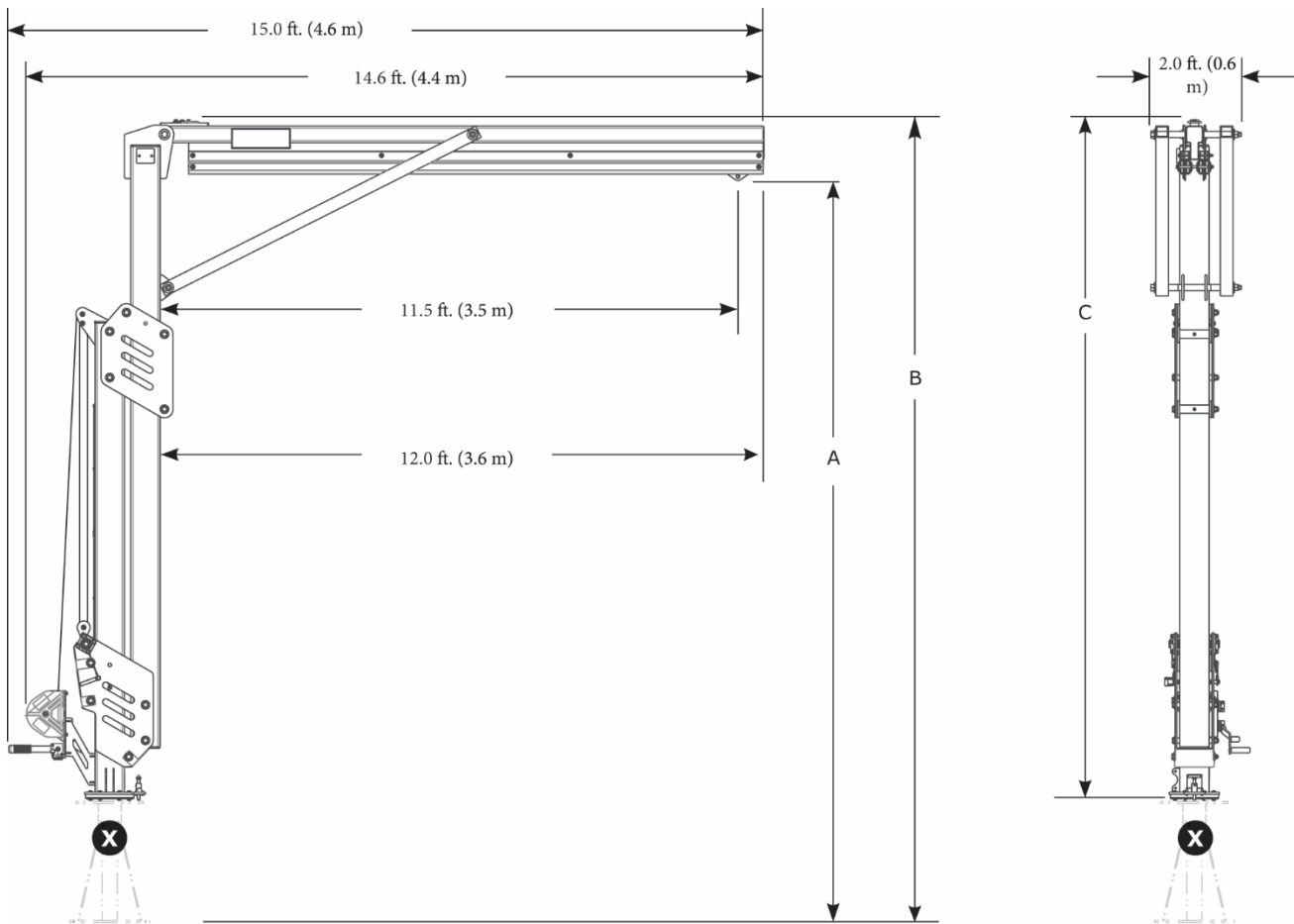
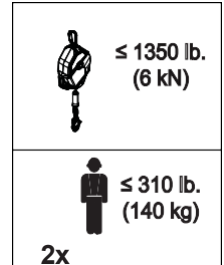


APLICAÇÃO:

O davit é projetado para fornecer pontos de conexão de ancoragem para um sistema de Proteção Contra Quedas.

Para mais informações sobre a instalação do produto, consulte as instruções do usuário.

Normas: CEN/TS 16415:2013 Tipo E, EN795:2012 Tipo E, OSHA 1910.140, OSHA 1926.502



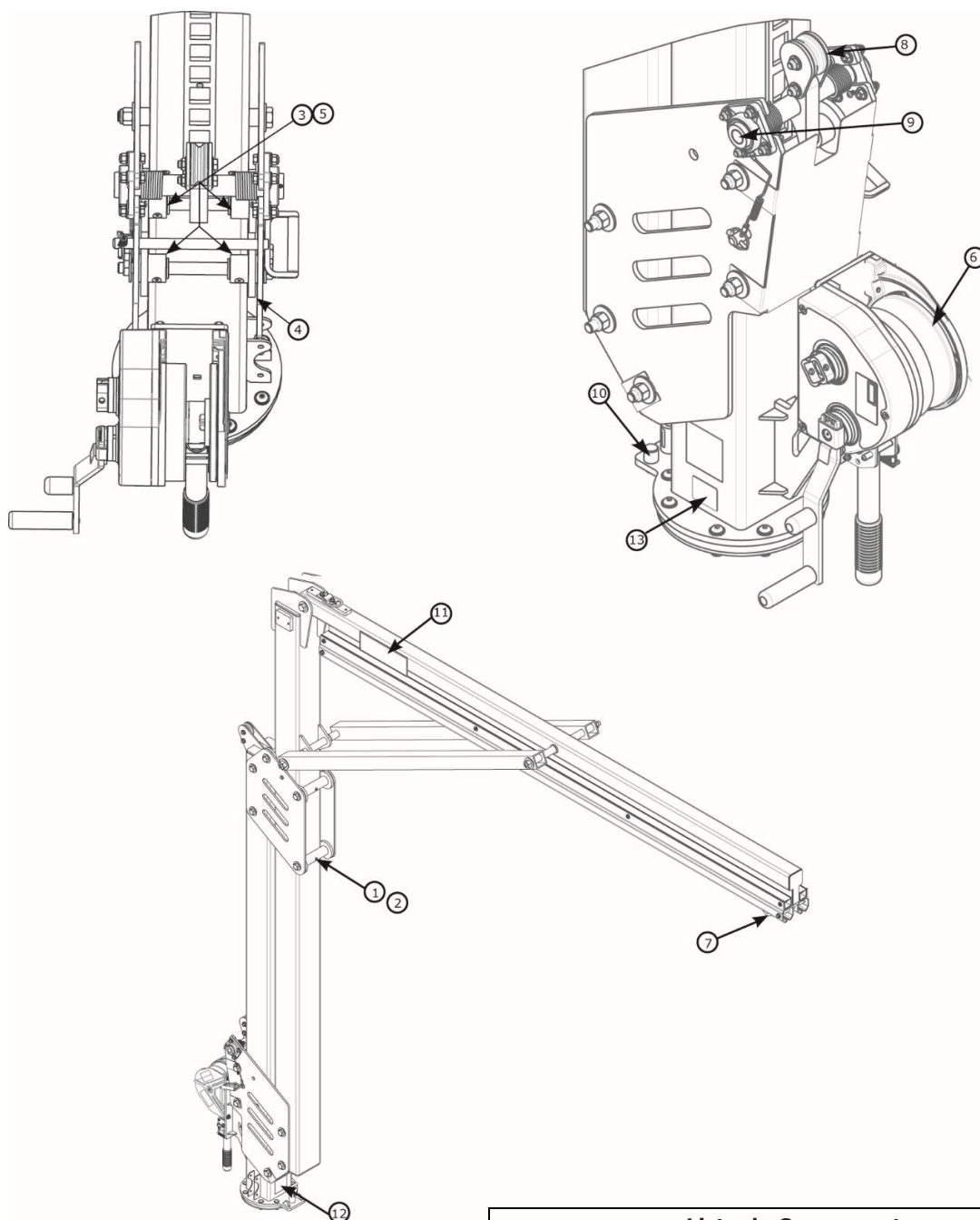
	A	B	C	lb. (kg)
8530895	12.3 ft. - 15.0 ft. (3.8 m - 4.6 m)	13.4 ft. - 16.1 ft. (4.1 m - 4.9 m)	11.0 ft. - 13.7 ft. (3.4 m - 4.2 ft.)	1,011 lb. (459 kg)
8530896	14.8 ft. - 20.0 ft. (4.5 m - 6.1 m)	15.9 ft. - 21.1 ft. (4.8 m - 6.4 m)	13.5 ft. - 18.7 ft. (4.1 m - 5.7 m)	1,123 lb. (509 kg)
8530897	17.3 ft. - 25.0 ft. (5.3 m - 7.6 m)	18.4 ft. - 26.1 ft. (5.6 m - 8.0 m)	16.0 - 23.7 ft. (4.9 m - 7.2 m)	1,235 lb. (560 kg)
8530898	19.8 ft. - 30.0 ft. (6.0 m - 9.1 m)	20.9 ft. - 31.1 ft. (6.4 m - 9.5 m)	18.5 ft. - 28.7 ft. (5.6 m - 8.7 m)	1,343 lb. (609 kg)

Componentes do Davit Ajustável

FICHA TÉCNICA: 8530895-8530898

3M

**DBI
SALA**
Fall Protection



Lista de Componentes				
	Número da Peça	Descrição	Material	Quantidade
1	8550046	Rolo Largo	Nylon	3
2	8550047	Espaçador do Rolo Largo	Aço Inoxidável 304	3
3	8550327	Rolo Estreito	Nylon	2
4	9514703	Rolo Lateral	Nylon	8
5	8550213	Espaçador do Rolo Estreito	Aço Inoxidável 304	2
6	8549930	Guincho	Aço	1
7	8521711	Trole	Aço, Nylon	1

Lista de Componentes				
	Número da Peça	Descrição	Material	Quantidade
8	8550223	Mecanismo de Bloqueio (apenas reparo autorizado)	Aço, Nylon	1
9	9515138	Rolamentos	Aço	2
10	8550398	Parada de Rotação	Alumínio	2
11	9515111	Etiqueta 3M	Poliéster	2
12	9515101	Etiqueta de Rotação	Poliéster	1
13	9514429	Etiqueta de Identificação	Poliéster	1
14	9515112	Etiqueta do Usuário	Poliéster	1

Davit Semi-Fixo

FICHA TÉCNICA: 8530902-8530904

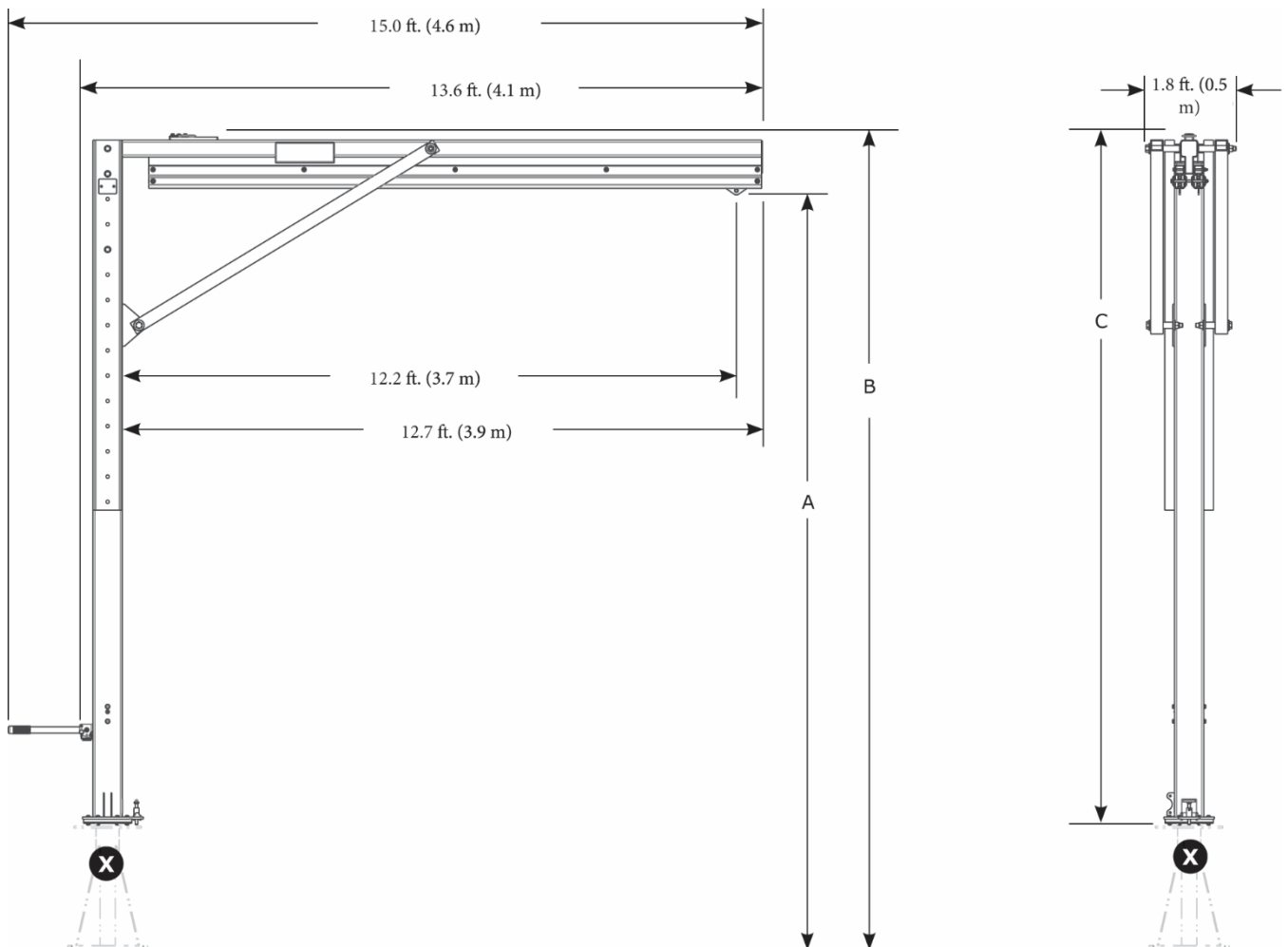
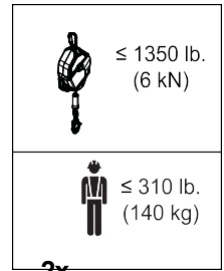


APLICAÇÃO:

O davit é projetado para fornecer pontos de conexão de ancoragem para um sistema de Proteção Contra Quedas.

Para mais informações sobre a instalação do produto, consulte as instruções do usuário.

Normas: CEN/TS 16415:2013 Tipo E, EN795:2012 Tipo E, OSHA 1910.140, OSHA 1926.502



	A	B	C	lb. (kg)
8530902	15.0 ft. – 20.0 ft. (4.6 m – 6.1 m)	16.1 ft. – 21.1 ft. (4.9 m – 6.4 m)	13.7 ft. – 18.7 ft. (4.2 m – 5.7 m)	850 lb. (386 kg)
8530903	20.0 ft. – 25.0 ft. (6.1 m – 7.6 m)	21.1 ft. – 26.1 ft. (6.4 m – 7.9 m)	18.7 ft. – 23.7 ft. (5.7 m – 7.2 m)	961 lb. (436 kg)
8530904	25.0 ft. – 30.0 ft. (7.6 m – 9.1 m)	26.1 ft. – 31.1 ft. (7.9 m – 9.6 m)	23.7 ft. – 28.7 ft. (7.2 m – 8.7 m)	1,073 lb. (487 kg)

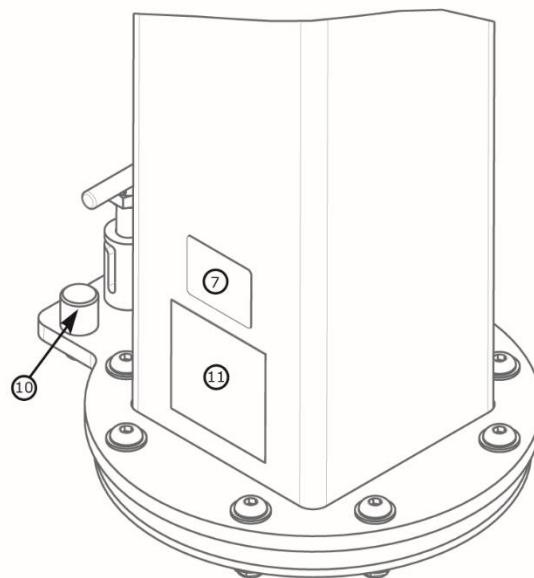
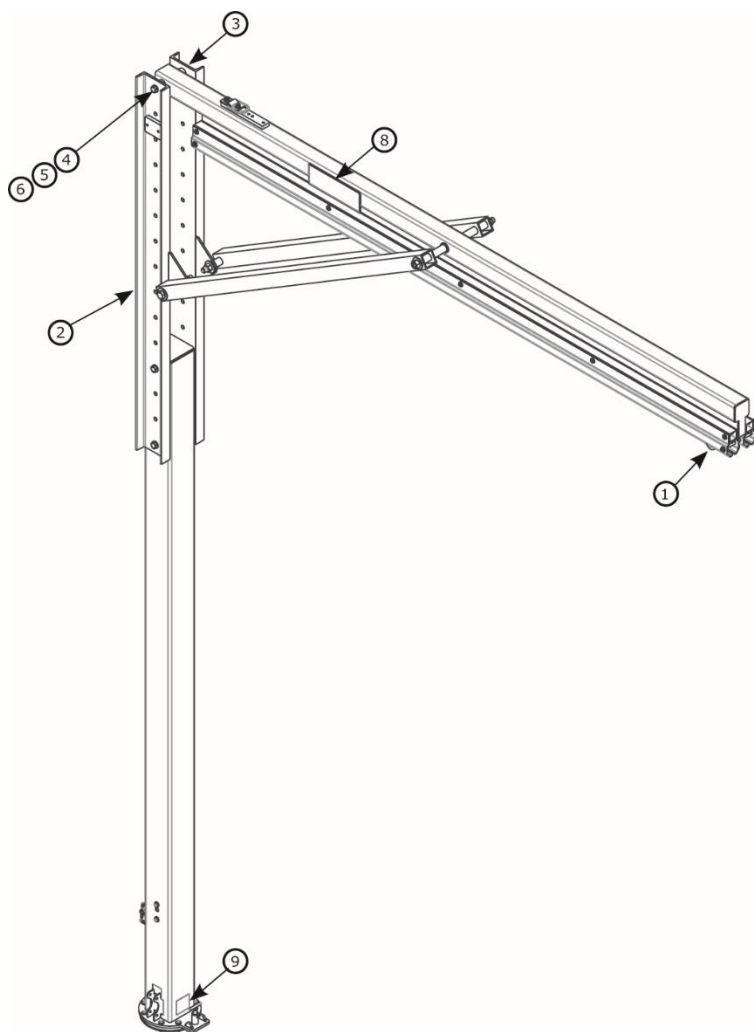
Componentes do Davit Semi-Fixo

FICHA TÉCNICA: 8530902-8530904

3M

DBI
SALA

Fall Protection



	Número da Peça	Descrição	Material	Quantidade
1	8521711	Trole	Aço Inoxidável, Aço, Nylon	1
2	8549933	Canal de Montagem de Resgate	Aço	1
3	8550248	Canal	Aço	1
4	8526654	Parafuso 3/4" x 9"	Aço	2
5	8522275	Arruela 3/4"	Aço	4
6	8518276	Porca 3/4"	Aço	2
7	9514429	Etiqueta de Identificação	Poliéster	1

	Número da Peça	Descrição	Material	Quantidade
8	9515111	Etiqueta 3M	Poliéster	2
9	9515101	Etiqueta de Rotação	Poliéster	1
10	8550398	Parada de Rotação	Alumínio	2
11	9515112	Etiqueta do Usuário	Poliéster	1

Base de Contrapeso M200

FICHA TÉCNICA: 8530886, 8530887



APLICAÇÃO:

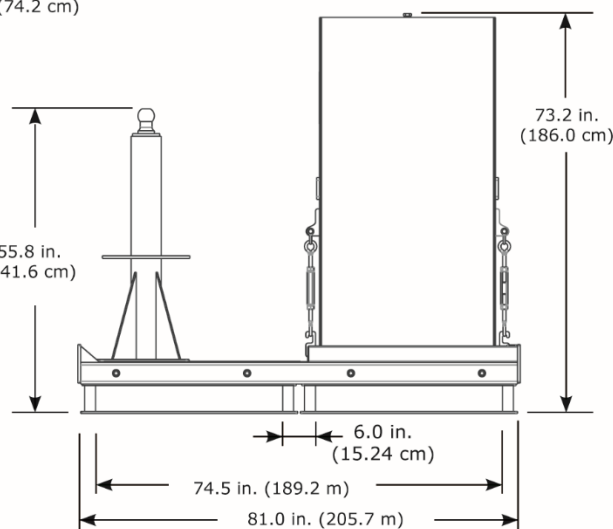
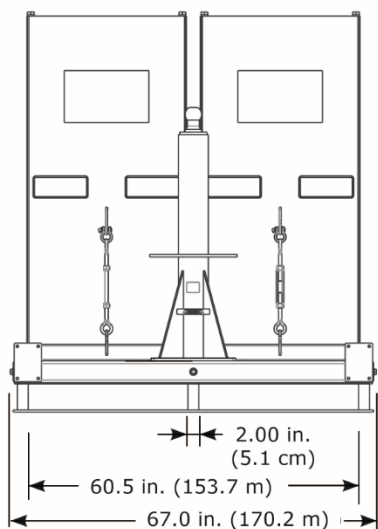
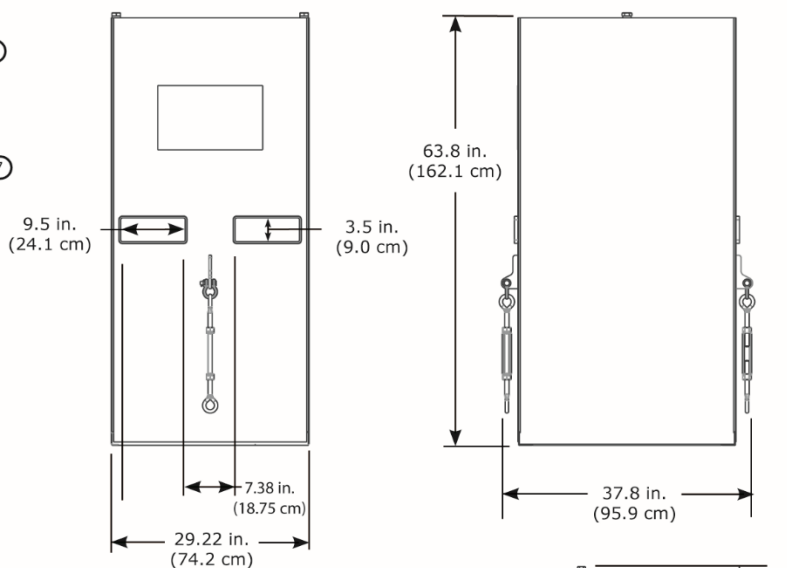
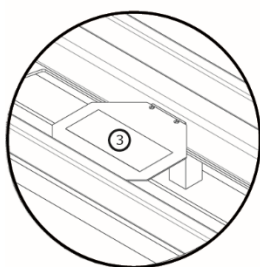
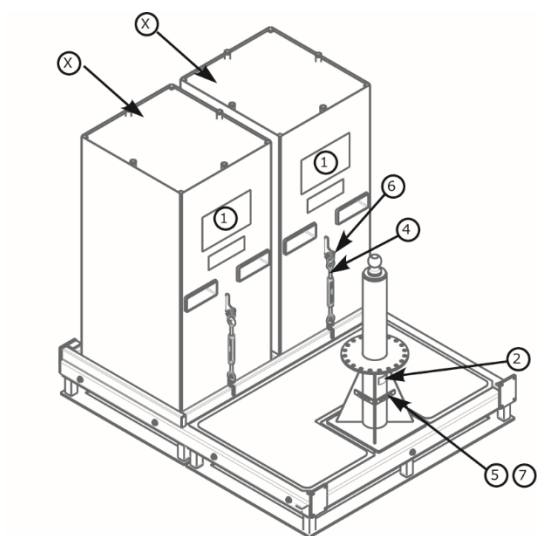
A base do davit é projetada para ser usada como um ponto de montagem para o sistema de davit.

Para mais informações sobre a instalação do produto, consulte as instruções do usuário.

Normas: CEN/TS 16415:2013 Tipo E, EN795:2012 Tipo E, OSHA 1910.140, OSHA 1926.502

	X 4,000 psi (30 MPa)	Requisitos da Estrutura de Apoio	Peso
8530886		14,645 lb. (6,643 kg)	2,407 lb. (1,092 kg)
8530887	✓	+ Peso da Lança Giratória M200	11,325 lb. (5,137 kg)

Lista de Componentes				
	Número da Peça	Descrição	Material	Quantidade
1	9515107	Etiqueta do Usuário	Poliéster	1
2	9514429	Etiqueta de Identificação	Poliéster	1
3	9515106	Etiqueta de Advertência	Poliéster	1
4	8520575	Esticador	Aço	2
5	9513627	Parafuso #4	Aço	4
6	9501794	Manilha	Aço	2
7	9515058	Nível de Bolha	Plástico	2
8	9515566	Etiqueta de Advertência	Poliéster	4

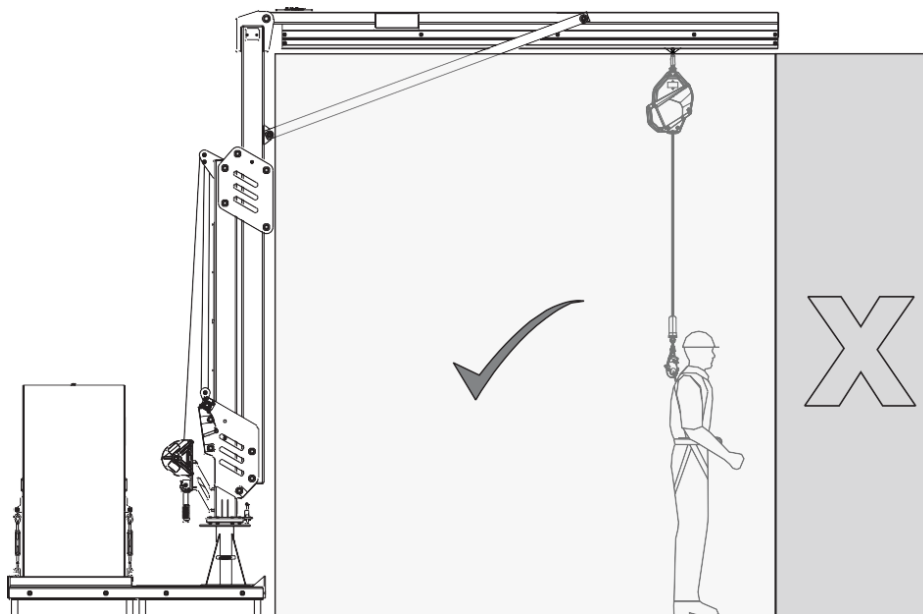
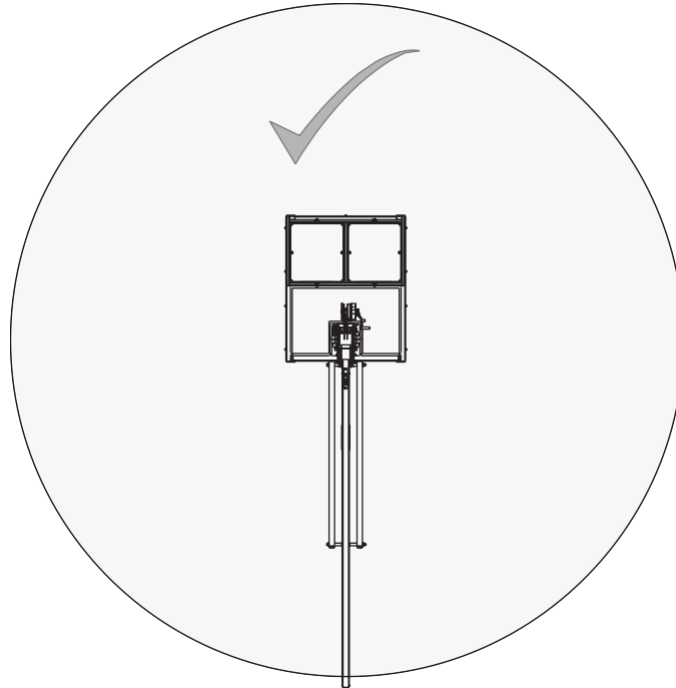


Área de Trabalho da Base de Contrapeso M200
FICHA TÉCNICA: 8530886, 8530887



APLICAÇÃO:

Consulte o diagrama abaixo para a área de trabalho do produto.



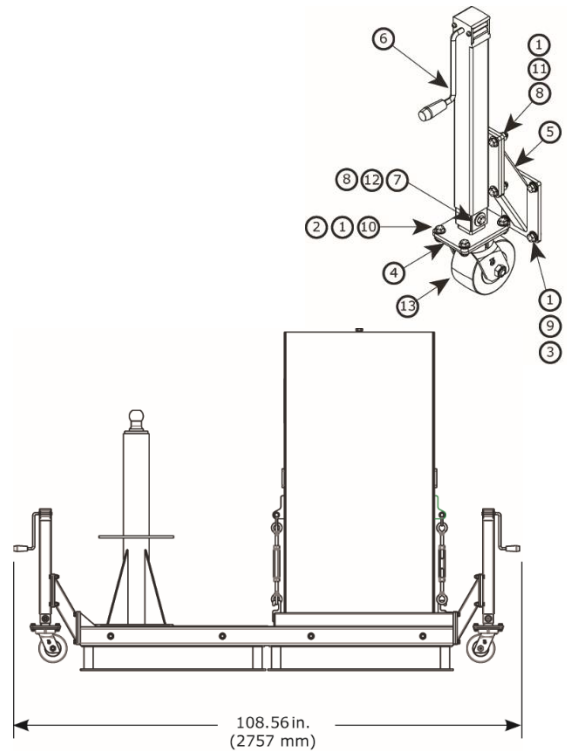
Acessórios da Base de Contrapeso M200

FICHA TÉCNICA: 8530907, 8530908, 8530777

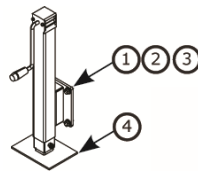


Fall Protection

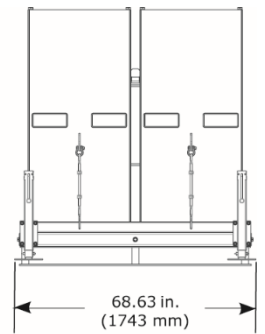
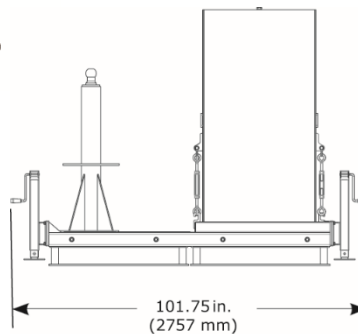
Lista de Componentes				
	Número da Peça	Descrição	Material	Quantidade
1	8510037	Arruela 1/2"	Aço	80
2	8512460	Parafuso 1/2" x 1 1/4"	Aço	16
3	8518432	Parafuso 1/2" x 1"	Aço	16
4	8550153	Conjunto Soldado da Roda	Aço	4
5	8550155	Conjunto Soldado Angulado	Aço	4
6	8550156	Conjunto Soldado Montado	Aço	4
7	9501243	Arruela 1/2"	Aço	8
8	9501831	Porca Sextavada 1/2"	Aço	20
9	9504221	Arruela 1/2"	Aço	16
10	9504813	Porca Sextavada 1/2"	Aço	16
11	9509276	Parafuso 1/2" x 1 3/4"	Aço	16
12	9510153	Parafuso 1/2" x 3 1/4"	Aço	4
13	9515081	Roda Giratória	Aço, Uretano	4



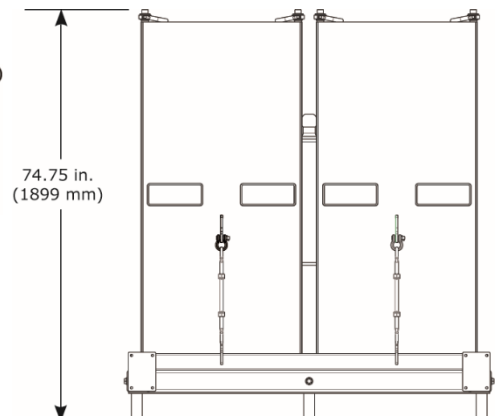
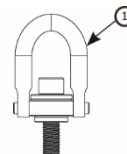
	8530907	8530908	8530777
Peso	108 lb. (49 kg)	152 lb. (69 kg)	12 lb. (5.4 kg)



	Número da Peça	Descrição	Material	Quantidade
1	9504221	Arruela de Travamento 1/2"	Aço	16
2	8510037	Arruela 1/2"	Aço	16
3	8518432	Parafuso 1/2" x 1"	Aço	16
4	8550177	Conjunto Soldado da Roda	Aço	4





Lista de Componentes				
	Número da Peça	Descrição	Material	Quantidade
1	9512574	Anel de Elevação	Aço	4

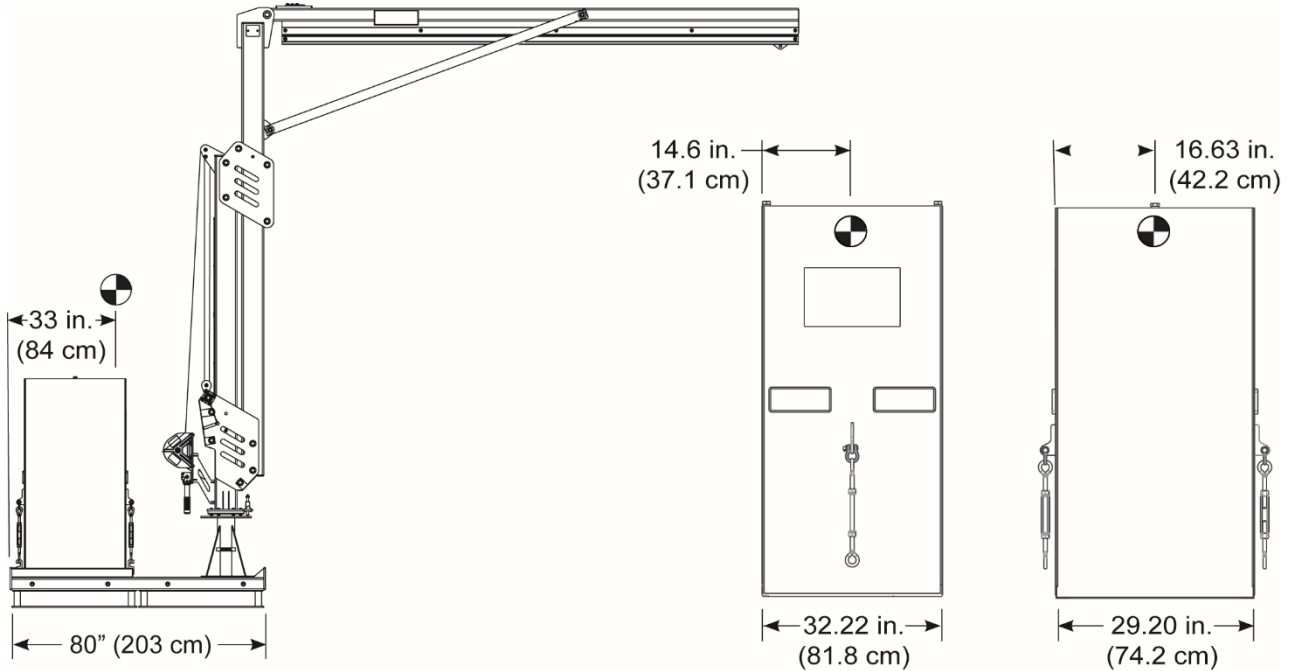



Centro de Gravidade da Base de Contrapeso M200
FICHA TÉCNICA: 8530886, 8530887




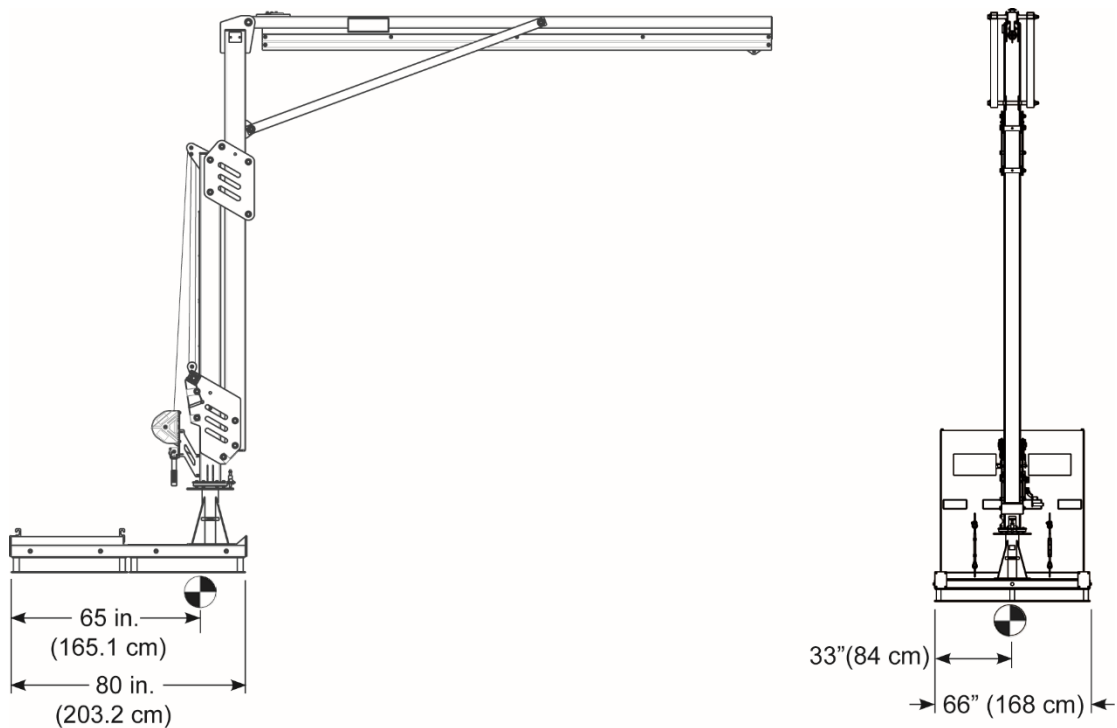
8530887	8530898
 .lb (kg)	12,668 lbs. (5,746 kg)

 .lb (kg)	5,000 lbs. (2,268 kg)
--	--------------------------



8530887	8530898
 .lb (kg)	2,668 lbs. (1,210 kg)

8530887	8530898
 .lb (kg)	12,668 lbs. (5,746 kg)



Base de Montagem no Chão M200

FICHA TÉCNICA: 8530888



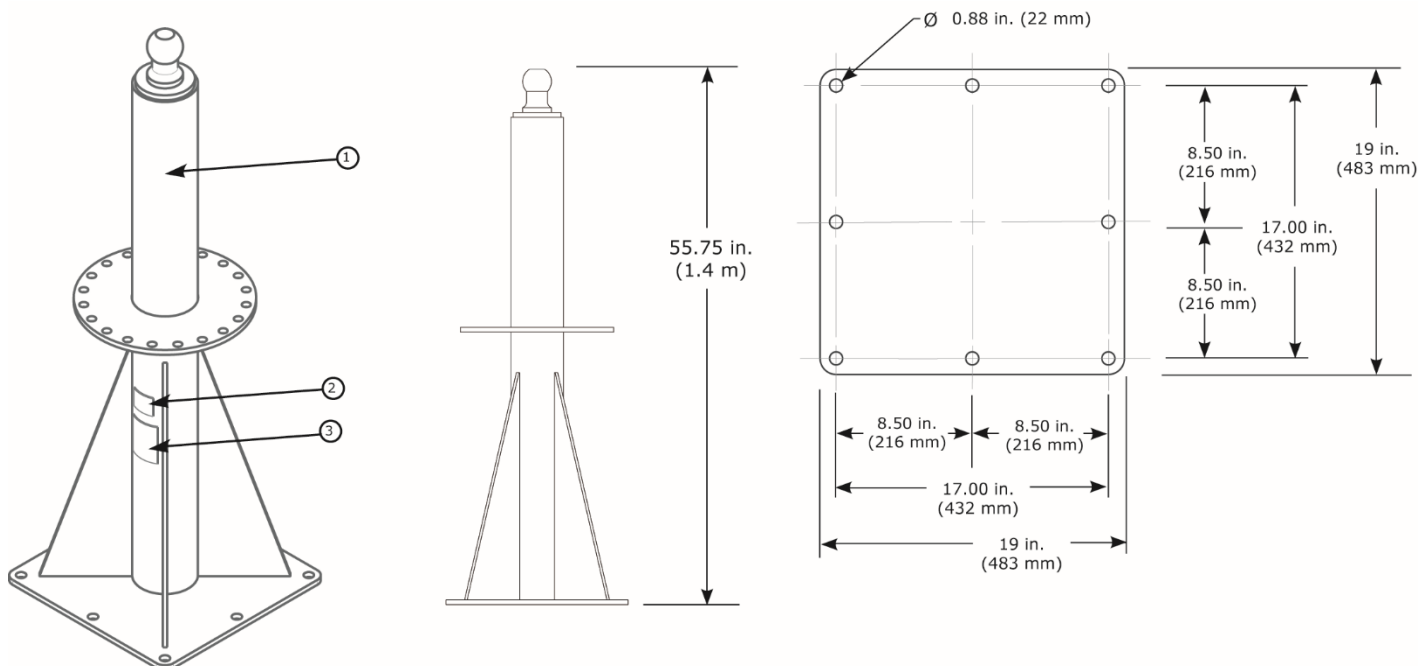
APLICAÇÃO:

A base do davit é projetada para ser usada como um ponto de montagem para o sistema de davit.

Para mais informações sobre a instalação do produto, consulte as instruções do usuário.

Normas: CEN/TS 16415:2013 Tipo A, EN795:2012 Tipo A, OSHA 1910.140, OSHA 1926.502

	Peso
8530888	265 lb. (120 kg)



Lista de Componentes				
	Número da Peça	Descrição	Material	Quantidade
1	8549921	Conjunto Soldado da Base	Aço	1
2	9514429	Etiqueta de Identificação	Poliéster	1
3	9515114	Etiqueta do Usuário	Poliéster	1

Requisitos de Montagem		
Força Mínima de Arrancamento do Fixador	Carga Mínima de Momento da Estrutura de Montagem	Carga Mínima Vertical da Estrutura de Montagem
9,386 lb. (4,257 kg)	501,633 in.-lb. (56,677 N-m)	3,320 lb. (1,506 kg) + Peso da base + Peso da Lança Giratória M200

Base de Montagem Rente M200

FICHA TÉCNICA: 8530889, 8530920, 8530921



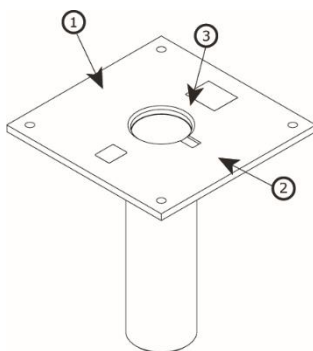
APLICAÇÃO:

A base do davit é projetada para ser usada como um ponto de montagem para o sistema de davit.

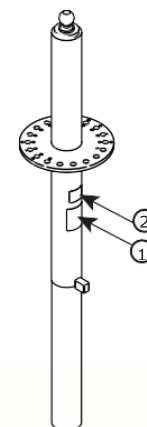
Para mais informações sobre a instalação do produto, consulte as instruções do usuário.

Normas: CEN/TS 16415:2013, EN795:2012 Tipo A, OSHA 1910.140, OSHA 1926.502

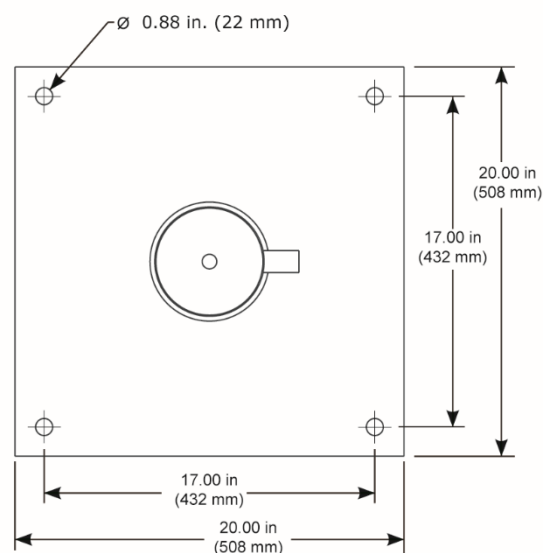
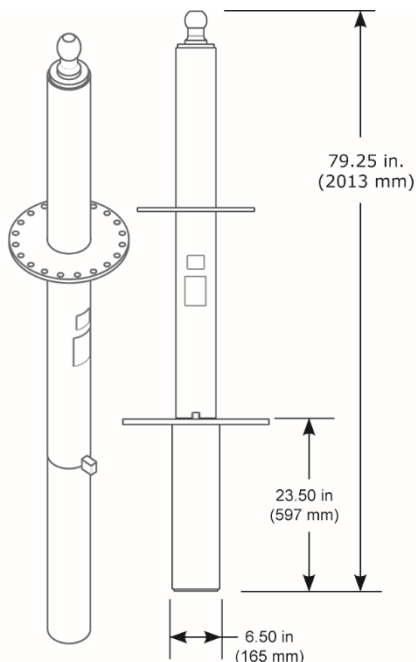
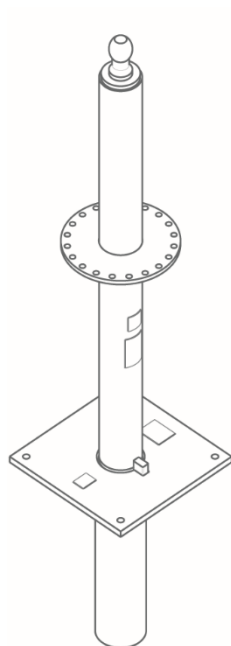
	Peso
8530920	140 lb. (64 kg)



	Peso
8530921	237 lb. (107 kg)



	Peso
8530889	377 lb. (171 kg)

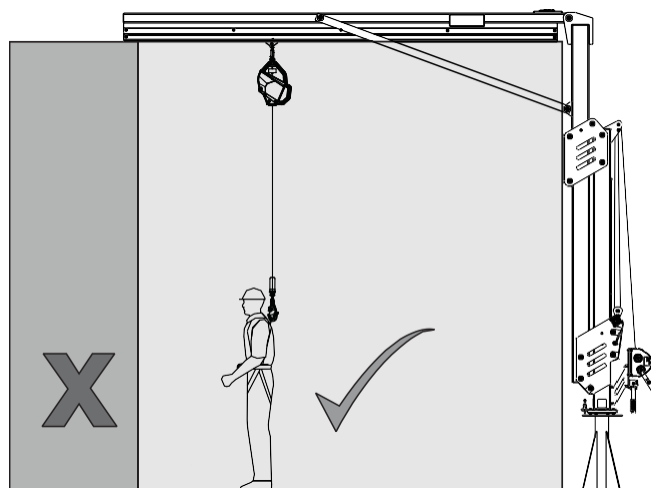
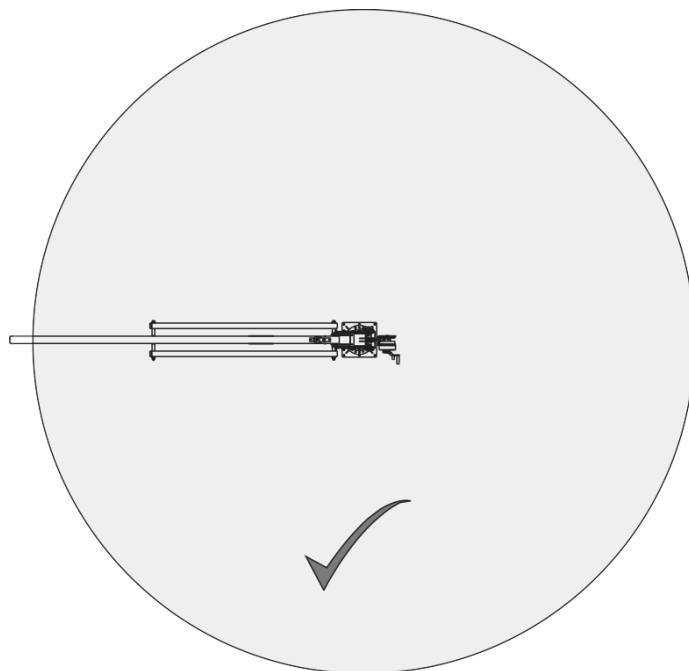


Lista de Componentes				
	Número da Peça	Descrição	Material	Quantidade
1	9515114	Etiqueta do Usuário	Poliéster	1
2	9514429	Etiqueta de Identificação	Poliéster	1
3	8550165	Tampa da Base	Alumínio, Borracha	1

Requisitos de Montagem	
Carga Mínima de Momento da Estrutura de Montagem	Carga Mínima Vertical da Estrutura de Montagem
501,633 in-lb. (56,677 N-m)	3,320 lb. (1,506 kg) + Peso da base + Peso da Lança Giratória M200

APLICAÇÃO:

Consulte o diagrama abaixo para a área de trabalho do produto.



Kit de Bolsas para Garfo

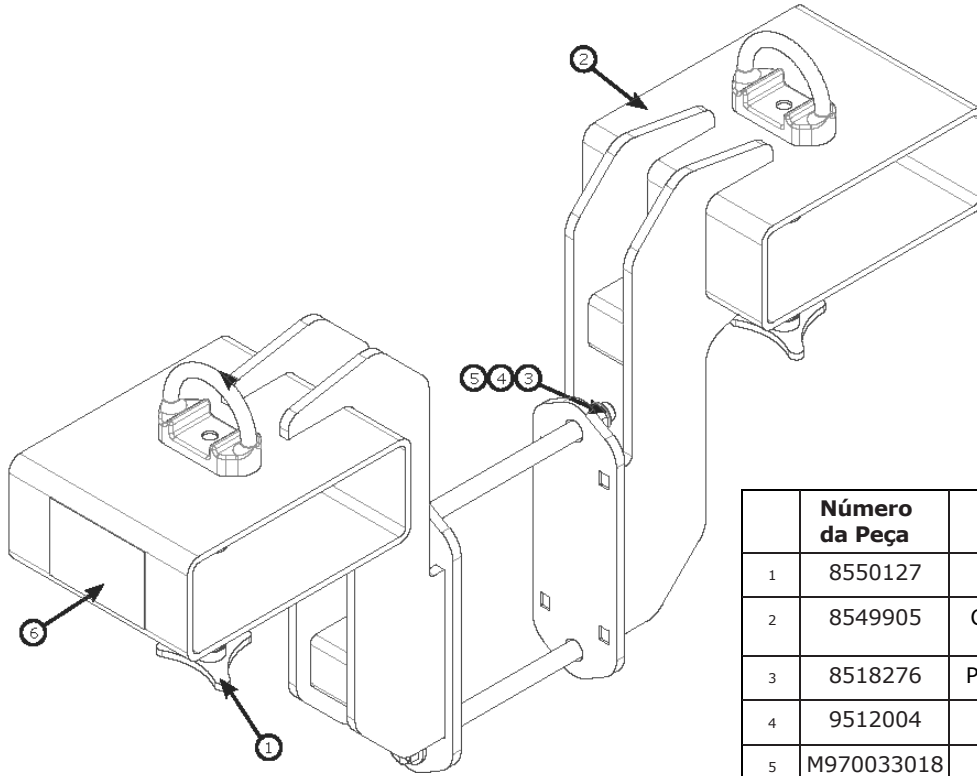
FICHA TÉCNICA: 8530912



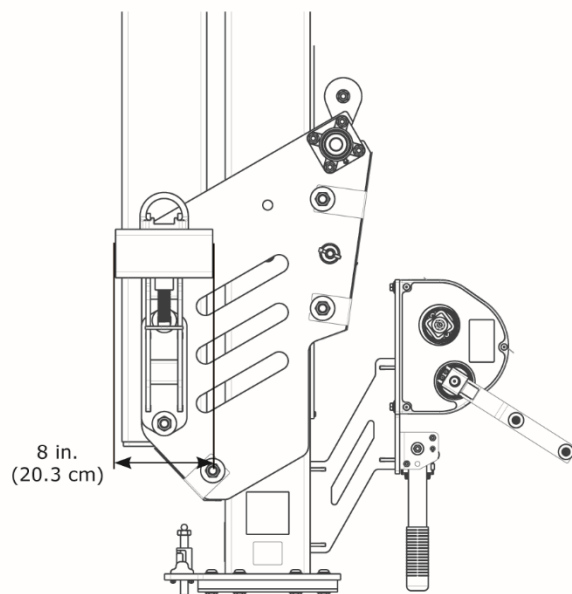
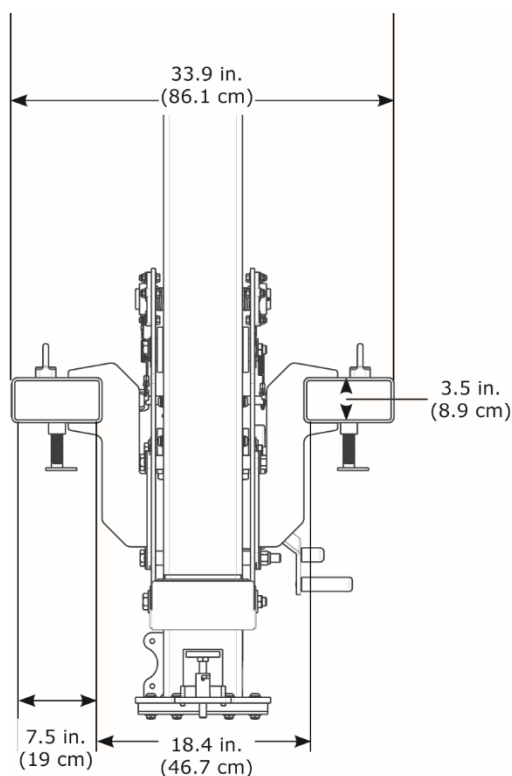
APLICAÇÃO:

Este modelo de kit de bolsas para garfo é projetado para transportar os modelos de davit operados por guincho **8530891-8530898**.

Para mais informações sobre a instalação de componentes, consulte as instruções do usuário.



	Número da Peça	Componente	Quantidade
1	8550127	Parafuso Triplo	2
2	8549905	Conjunto Soldado da Bolsa para Garfo	2
3	8518276	Porca Sextavada 3/4"	2
4	9512004	Parafuso 3/4" x 12"	2
5	M970033018	Arruela 3/4"	4
6	9515122	Etiqueta do Usuário	1
	9500146	Elo de Corrente	2
	8517096	Corrente	10 ft.



Kit de Bolsas para Garfo

FICHA TÉCNICA: 8530925

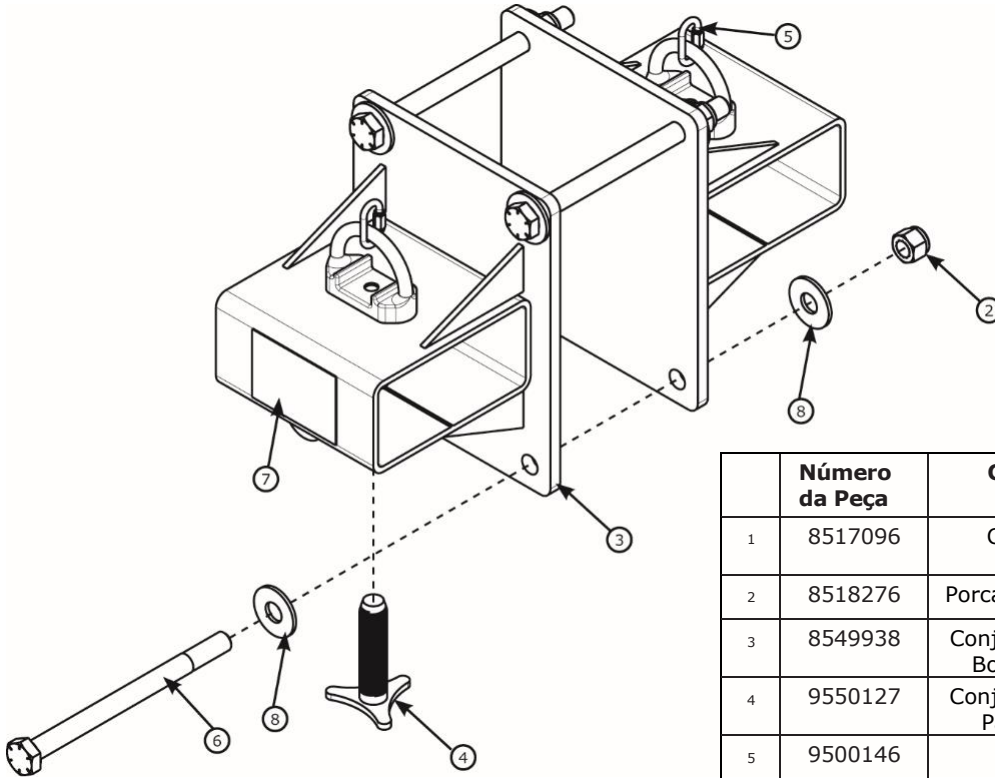


APLICAÇÃO:

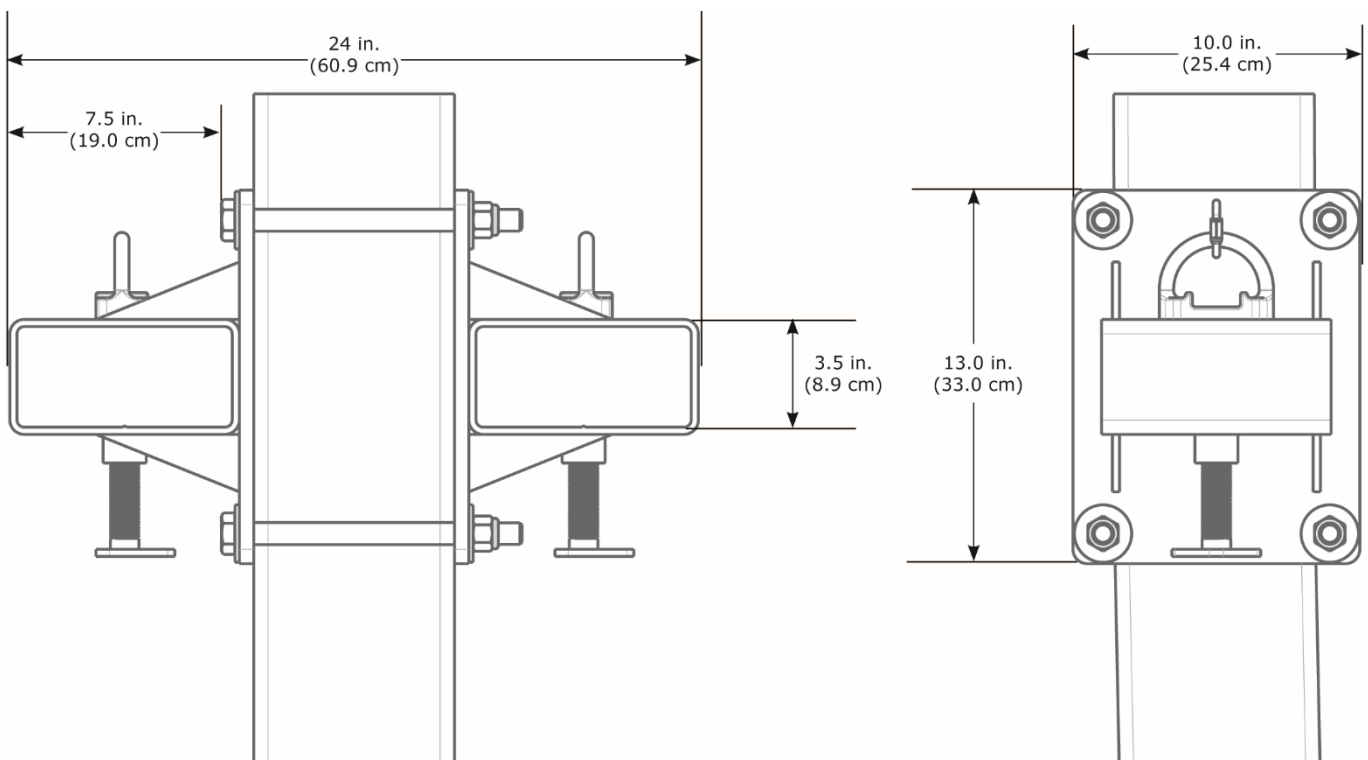
Este modelo de kit de bolsas para garfo é projetado para transportar o davit com modelos de canal de ajuste

8530899-8530904.

Para mais informações sobre a instalação de componentes, consulte as instruções do usuário.



	Número da Peça	Componente	Quantidade
1	8517096	Corrente (não mostrada)	10 ft.
2	8518276	Porca Sextavada 3/4"	4
3	8549938	Conjunto Soldado da Bolsa para Garfo	2
4	9550127	Conjunto Soldado do Parafuso Triplo	2
5	9500146	Elo Rápido	2
6	9514294	Parafuso de Cabeça Sextavada 3/4"	4
7	9515573	Etiqueta de Advertência	1
8	M970033018	Arruela 3/4"	8



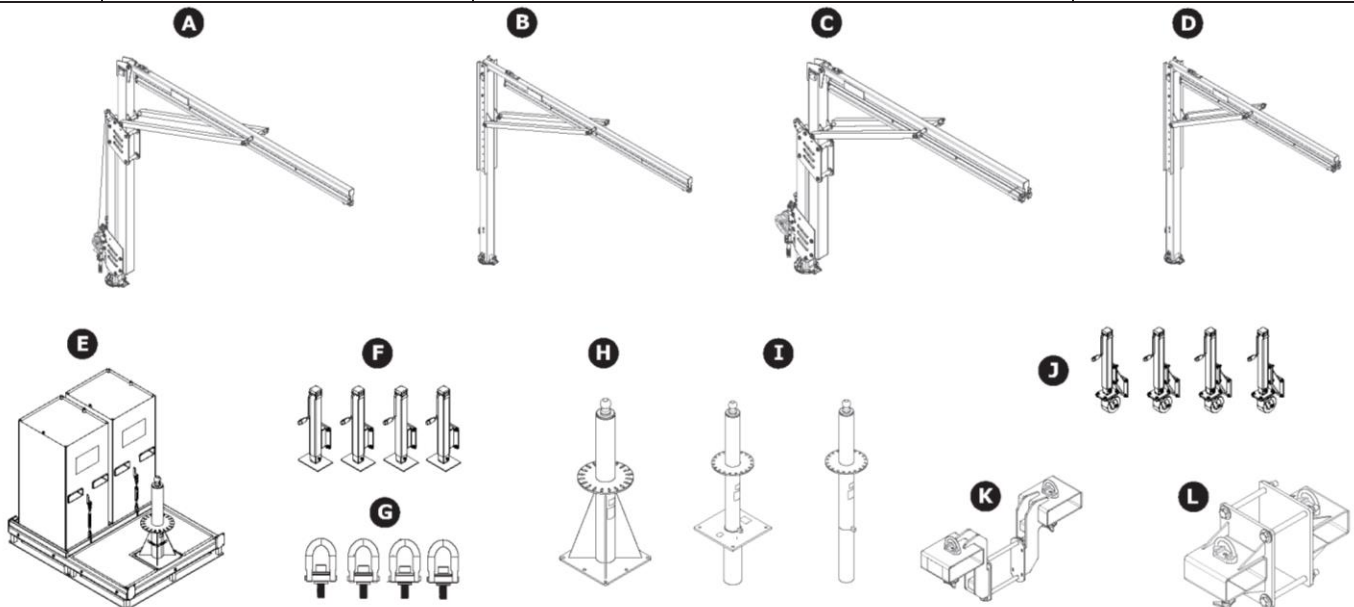


Fall Protection

3M™ DBI-SALA® Sistemas Davit M200

Ficha Técnica Pacote 5908526 Rev. D

Chamada	Ficha Técnica	Descrição	Página
A	8530891	12,3 pés–15 pés (3,8 m–4,6 m) Davit Ajustável	416
	8530892	14,8 pés–20 pés (4,5 m–6,1 m) Davit Ajustável	416
	8530893	17,3 pés–25 pés (5,3 m–7,6 m) Davit Ajustável	416
	8530894	19,8 pés–30 pés (6,1 m–9,1 m) Davit Ajustável	416
B	8530899	15 pés–20 pés (4,6 m–6,1 m) Davit Semi-Fixo	418
	8530900	20 pés–25 pés (6,1 m–7,6 m) Davit Semi-Fixo	418
	8530901	25 pés–30 pés (7,6 m–9,1 m) Davit Semi-Fixo	418
C	8530895	12,3 pés–15 pés (3,8 m–4,6 m) Davit Ajustável	420
	8530896	14,8 pés–20 pés (4,5 m–6,1 m) Davit Ajustável	420
	8530897	17,3 pés–25 pés (5,3 m–7,6 m) Davit Ajustável	420
	8530898	19,8 pés–30 pés (6,1 m–9,1 m) Davit Ajustável	420
D	8530902	15 pés–20 pés (4,6 m–6,1 m) Davit Semi-Fixo	422
	8530903	20 pés–25 pés (6,1 m–7,6 m) Davit Semi-Fixo	422
	8530904	25 pés–30 pés (7,6 m–9,1 m) Davit Semi-Fixo	422
E	8530886	Base de Contrapeso Não Preenchida	424
	8530887	Base de Contrapeso Preenchida	424
F	8530907	Macacos de Base de Contrapeso	426
G	8530777	Anéis de Elevação de Base de Contrapeso	426
H	8530888	Base de Montagem no Piso	428
I	8530889, 8530920, 8530921	Base de Montagem Embutida	429
J	8530908	Rodas de Base de Contrapeso	426
K	8530912	Kit de Bolsão para Garfo	431
L	8530925	Kit de Bolsão para Garfo	432



Davit Ajustável

FICHA TÉCNICA: 8530891-8530894





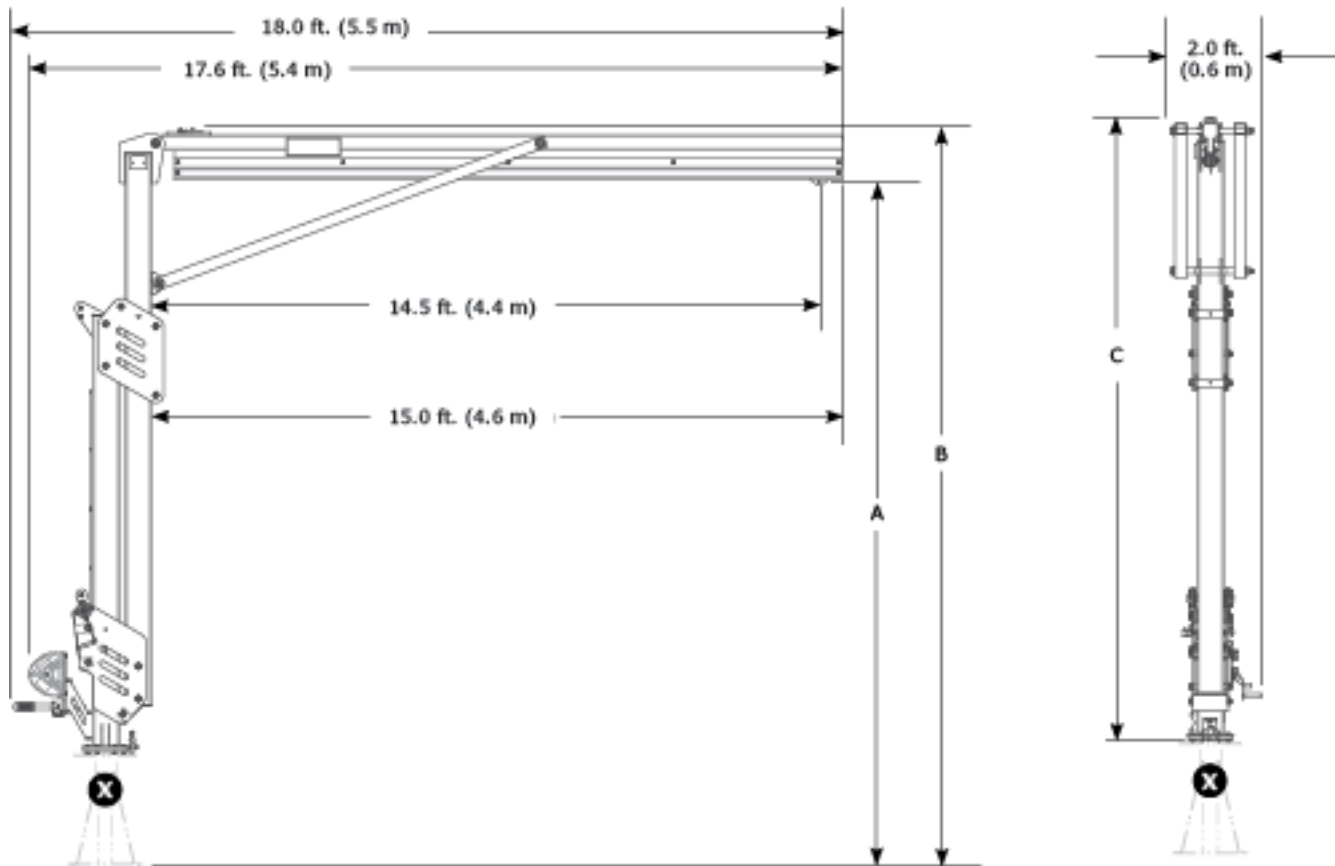
APLICAÇÃO:

O davit é projetado para fornecer pontos de conexão de ancoragem para um sistema de Proteção Contra Quedas.

Para mais informações sobre a instalação do produto, consulte as instruções do usuário.

Normas: EN795:2012 Tipo E, OSHA 1910.140, OSHA 1926.502

	≤ 1350 lb. (6 kN)
	≤ 310 lb. (140 kg)
1x	



	A	B	C	lb. (kg)
8530891	12.3 ft. – 15.0 ft. (3.8 m – 4.6 m)	13.4 ft. – 16.1 ft. (4.1 m – 4.9 m)	9.8 ft. – 14.8 ft. (3.0 m – 4.5 ft.)	945 lb. (429 kg)
8530892	14.8 ft. – 20.0 ft. (4.5 m – 6.1 m)	15.9 ft. – 21.1 ft. (4.8 m – 6.4 m)	13.5 ft. – 18.7 ft. (4.1 m – 5.7 m)	1,057 lb. (479 kg)
8530893	17.3 ft. – 25.0 ft. (5.3 m – 7.6 m)	18.4 ft. – 26.1 ft. (5.6 m – 8.0 m)	16.0 – 23.7 ft. (4.9 m – 7.2 m)	1,169 lb. (530 kg)
8530894	19.8 ft. – 30.0 ft. (6.0 m – 9.1 m)	20.9 ft. – 31.1 ft. (6.4 m – 9.5 m)	18.5 ft. – 28.7 ft. (5.6 m – 8.7 m)	1,281 lb. (581 kg)

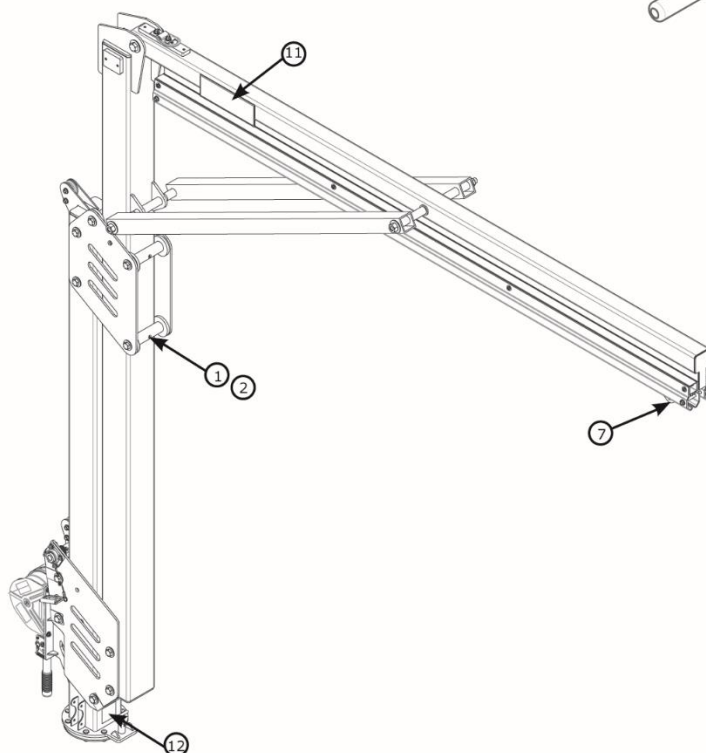
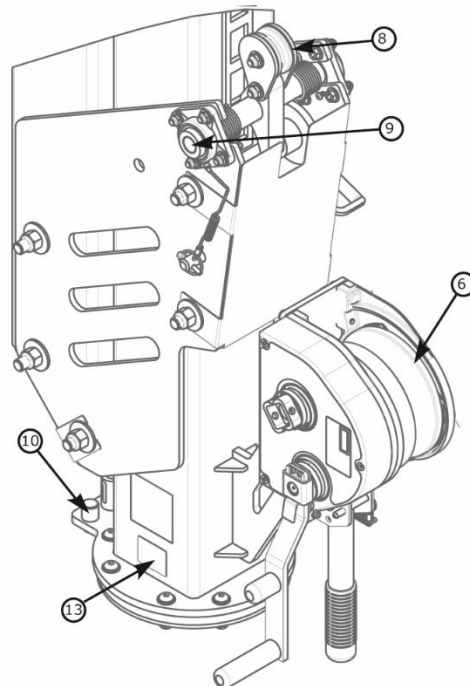
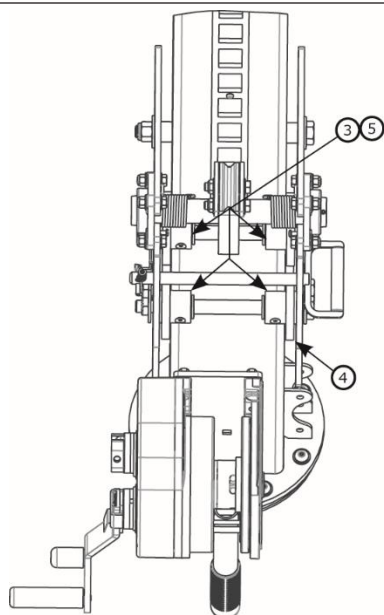
Componentes do Davit Ajustável

FICHA TÉCNICA: 8530891-8530894

3M

**DBI
SALA**

Fall Protection



Lista de Componentes				
	Número da Peça	Descrição	Material	Quantidade
1	8550046	Rolo Largo	Nylon	3
2	8550047	Espaçador do Rolo Largo	Aço Inoxidável 304	3
3	8550327	Rolo Estreito	Nylon	2
4	9514703	Rolo Lateral	Nylon	8
5	8550213	Espaçador do Rolo Estreito	Aço Inoxidável 304	2
6	8549930	Guincho	Aço	1
7	8521711	Trole	Aço, Nylon	1

Lista de Componentes				
	Número da Peça	Descrição	Material	Quantidade
8	8550223	Mecanismo de Travamento (apenas reparo autorizado)	Aço, Nylon	1
9	9515138	Rolamentos	Aço	2
10	8550398	Parada de Rotação	Alumínio	2
11	9515111	Etiqueta 3M	Poliéster	2
12	9515101	Etiqueta de Rotação	Poliéster	1
13	9514429	Etiqueta de Identificação	Poliéster	1
14	9515112	Etiqueta do Usuário	Poliéster	1

Davit Semi-Fixo

FICHA TÉCNICA: 8530899-8530901




Fall Protection


APLICAÇÃO:

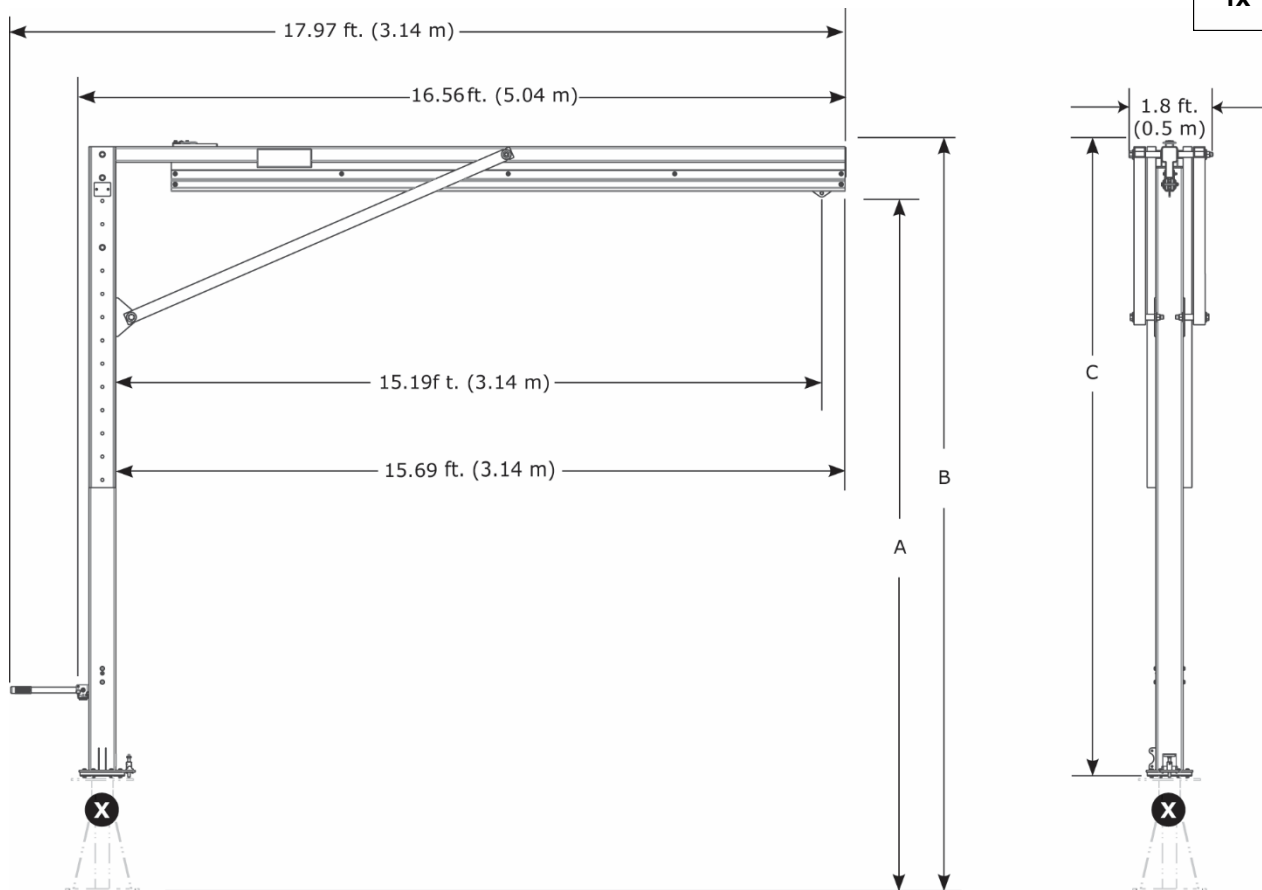
O davit é projetado para fornecer pontos de conexão de ancoragem para um sistema de Proteção Contra Quedas.

Para mais informações sobre a instalação do produto, consulte as instruções do usuário.

Normas: EN795:2012 Tipo E, OSHA 1910.140, OSHA 1926.502


≤ 1350 lb.
(6 kN)

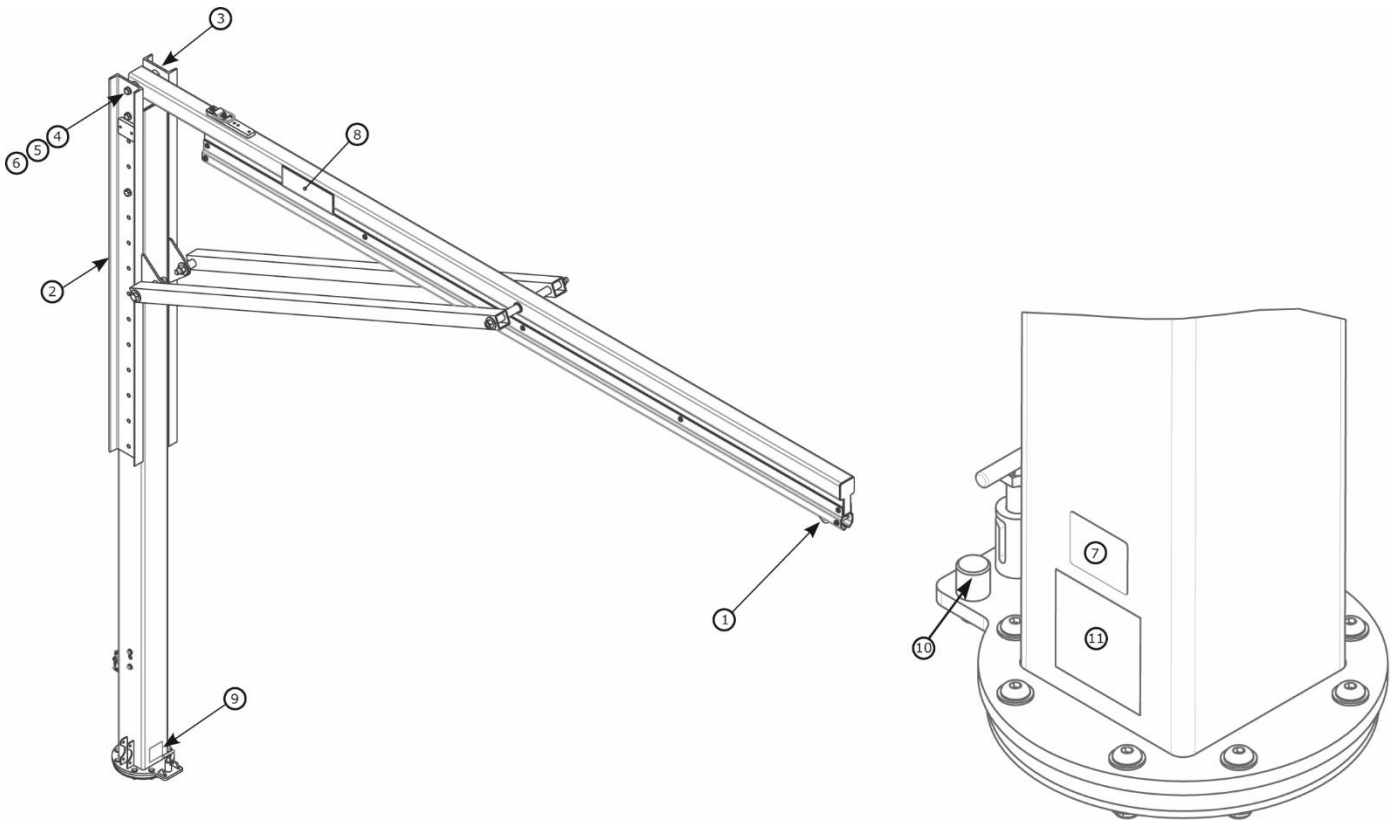
1x

≤ 310 lb.
(140 kg)



	A	B	C	lb. (kg)
8530899	15.0 ft. – 20.0 ft. (4.6 m – 6.1 m)	16.1 ft. – 21.1 ft. (4.9 m – 6.4 m)	13.7 ft. – 18.7 ft. (4.2 m – 5.7 m)	818 lb. (371 kg)
8530900	20.0 ft. – 25.0 ft. (6.1 m – 7.6 m)	21.1 ft. – 26.1 ft. (6.4 m – 7.9 m)	18.7 ft. – 23.7 ft. (5.7 m – 7.2 m)	930 lb. (422 kg)
8530901	25.0 ft. – 30.0 ft. (7.6 m – 9.1 m)	26.1 ft. – 31.1 ft. (7.9 m – 9.6 m)	23.7 ft. – 28.7 ft. (7.2 m – 8.7 m)	1,041 lb. (472 kg)
+6" (152 mm) incrementos de ajuste				

Semi-Fixed Davit Components

FICHA TÉCNICA: 8530899-8530901



	Número da Peça	Descrição	Material	Quantidade
1	8521711	Trolley	Stainless Steel, Steel, Nylon	1
2	8549933	Rescue Mount Channel	Steel	1
3	8550248	Channel	Steel	1
4	8526654	3/4" x 9" Bolt	Steel	2
5	8522275	3/4" Washer	Steel	4
6	8518276	3/4" Nut	Steel	2
7	9514429	ID Label	Polvester	1

	Número da Peça	Descrição	Material	Quantidade
8	9515111	3M Label	Polyester	2
9	9515101	Rotation Label	Polyester	1
10	8550398	Rotation Stop	Aluminum	2
11	9515112	User Label	Polvester	1

Davit Ajustável

FICHA TÉCNICA: 8530895-8530898





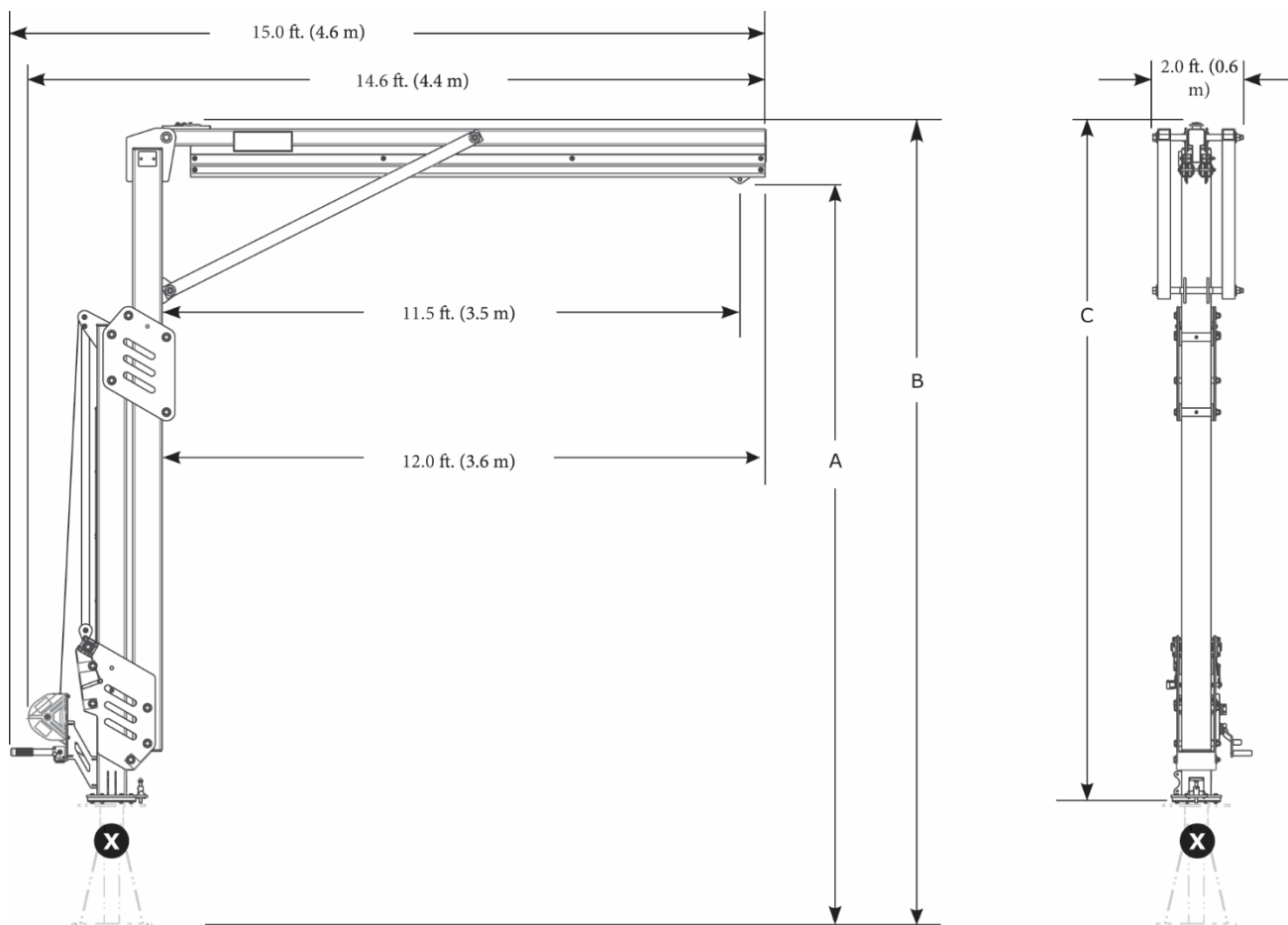
APLICAÇÃO:

O davit é projetado para fornecer pontos de conexão de ancoragem para um sistema de Proteção Contra Quedas.

Para mais informações sobre a instalação do produto, consulte as instruções do usuário.

Normas: CEN/TS 16415:2013 Tipo E, EN795:2012 Tipo E, OSHA 1910.140, OSHA 1926.502

	≤ 1350 lb. (6 kN)
	≤ 310 lb. (140 kg)
2x	



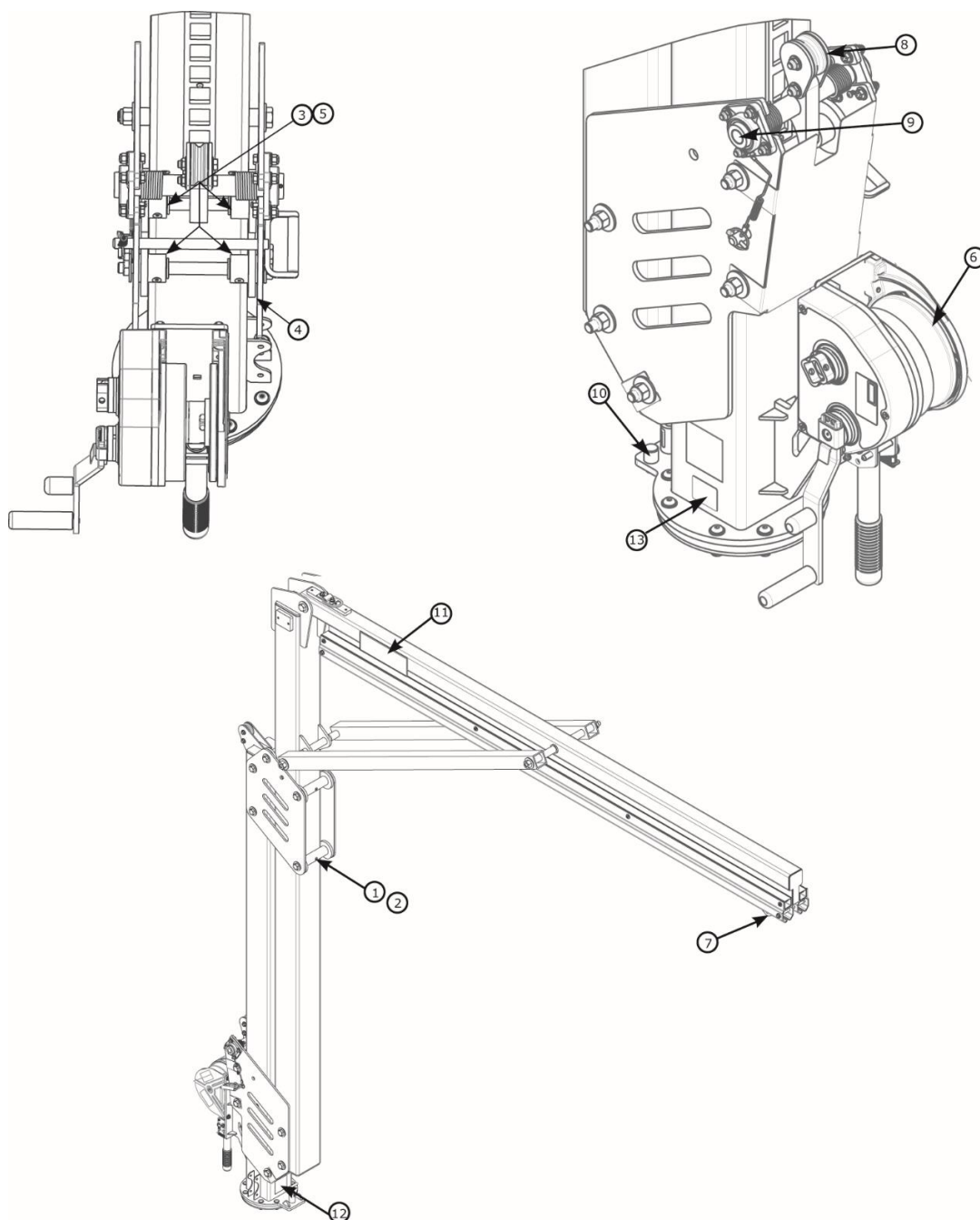
	A	B	C	lb. (kg)
8530895	12.3 ft. - 15.0 ft. (3.8 m - 4.6 m)	13.4 ft. - 16.1 ft. (4.1 m - 4.9 m)	11.0 ft. - 13.7 ft. (3.4 m - 4.2 ft.)	1,011 lb. (459 kg)
8530896	14.8 ft. - 20.0 ft. (4.5 m - 6.1 m)	15.9 ft. - 21.1 ft. (4.8 m - 6.4 m)	13.5 ft. - 18.7 ft. (4.1 m - 5.7 m)	1,123 lb. (509 kg)
8530897	17.3 ft. - 25.0 ft. (5.3 m - 7.6 m)	18.4 ft. - 26.1 ft. (5.6 m - 8.0 m)	16.0 - 23.7 ft. (4.9 m - 7.2 m)	1,235 lb. (560 kg)
8530898	19.8 ft. - 30.0 ft. (6.0 m - 9.1 m)	20.9 ft. - 31.1 ft. (6.4 m - 9.5 m)	18.5 ft. - 28.7 ft. (5.6 m - 8.7 m)	1,343 lb. (609 kg)

Componentes do Davit Ajustável

FICHA TÉCNICA: 8530895-8530898

3M

**DBI
SALA**
Fall Protection



Lista de Componentes				
	Número da Peça	Descrição	Material	Quantidade
1	8550046	Rolo Largo	Nylon	3
2	8550047	Espaçador do Rolo Largo	Aço Inoxidável el 304	3
3	8550327	Rolo Estreito	Nylon	2
4	9514703	Rolo Lateral	Nylon	8
5	8550213	Espaçador do Rolo Estreito	Aço Inoxidável el 304	2
6	8549930	Guincho	Aço	1
7	8521711	Trole	Aço, Nylon	1

Lista de Componentes				
	Número da Peça	Descrição	Material	Quantidade
8	8550223	Mecanismo de Travamento (apenas reparo autorizado)	Aço, Nylon	1
9	9515138	Rolamentos	Aço	2
10	8550398	Parada de Rotação	Alumínio	2
11	9515111	Etiqueta 3M	Poliéster	2
12	9515101	Etiqueta de Rotação	Poliéster	1
13	9514429	Etiqueta de Identificação	Poliéster	1
14	9515112	Etiqueta do Usuário	Poliéster	1

Davit Semi-Fixo

FICHA TÉCNICA: 8530902-8530904



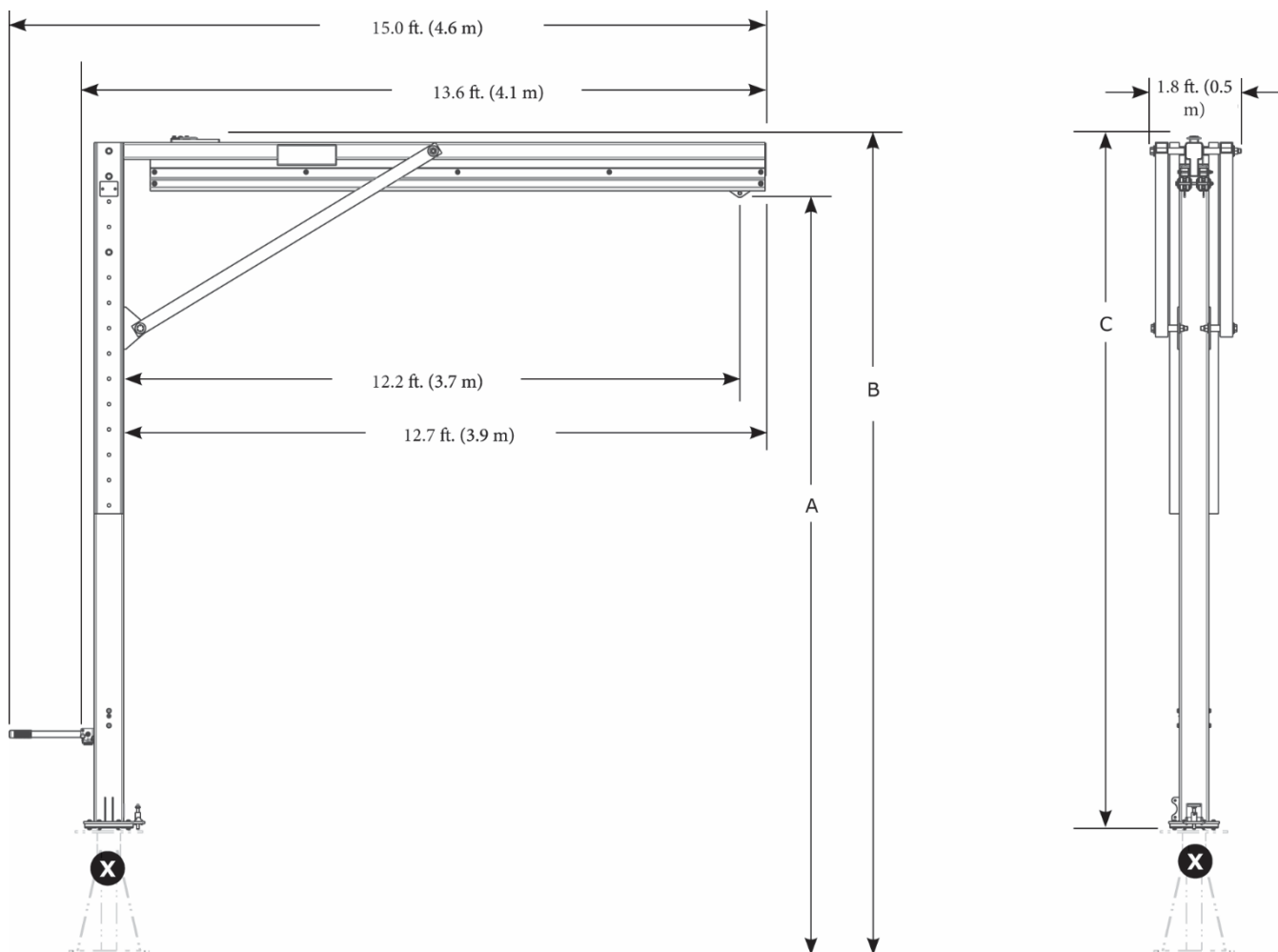
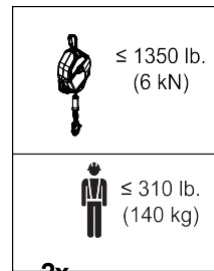
Fall Protection

APLICAÇÃO:

O davit é projetado para fornecer pontos de conexão de ancoragem para um sistema de Proteção Contra Quedas.

Para mais informações sobre a instalação do produto, consulte as instruções do usuário.

Normas: CEN/TS 16415:2013 Tipo E, EN795:2012 Tipo E, OSHA 1910.140, OSHA 1926.502



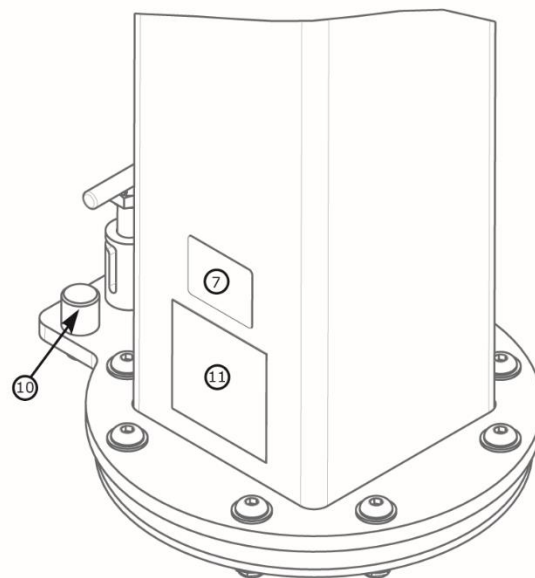
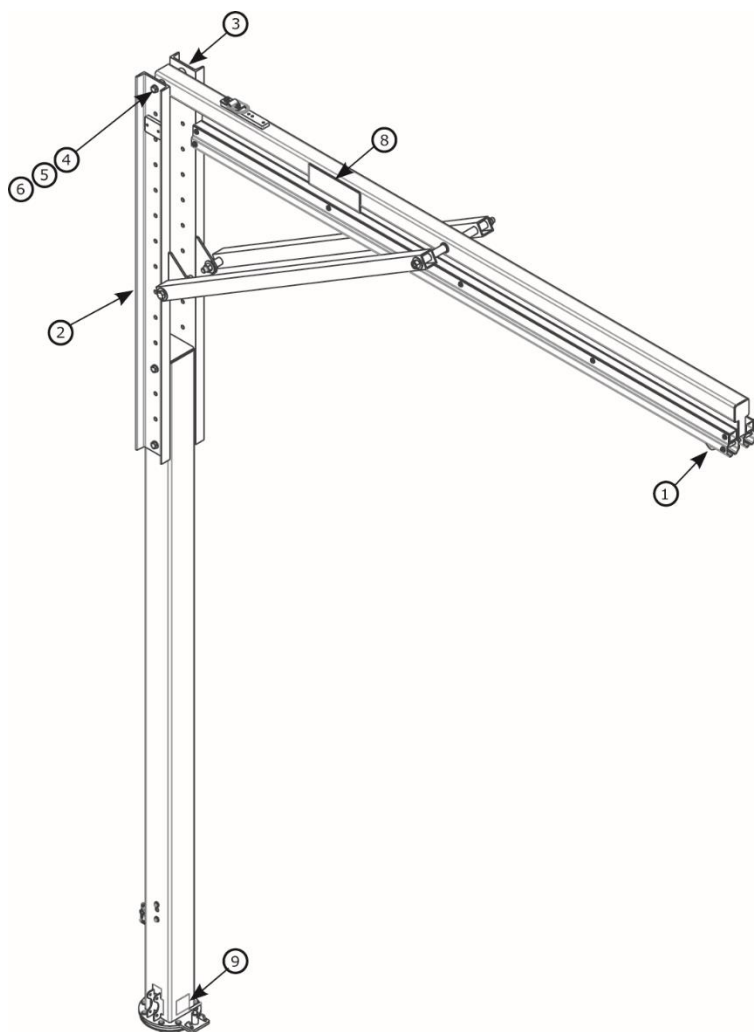
	A	B	C	lb. (kg)
8530902	15.0 ft. – 20.0 ft. (4.6 m – 6.1 m)	16.1 ft. – 21.1 ft. (4.9 m – 6.4 m)	13.7 ft. – 18.7 ft. (4.2 m – 5.7 m)	850 lb. (386 kg)
8530903	20.0 ft. – 25.0 ft. (6.1 m – 7.6 m)	21.1 ft. – 26.1 ft. (6.4 m – 7.9 m)	18.7 ft. – 23.7 ft. (5.7 m – 7.2 m)	961 lb. (436 kg)
8530904	25.0 ft. – 30.0 ft. (7.6 m – 9.1 m)	26.1 ft. – 31.1 ft. (7.9 m – 9.6 m)	23.7 ft. – 28.7 ft. (7.2 m – 8.7 m)	1,073 lb. (487 kg)

Componentes do Davit Semi-Fixo

FICHA TÉCNICA: 8530902-8530904

3M

DBI
SALA
Fall Protection



	Número da Peça	Descrição	Material	Quantidade
1	8521711	Trole	Aço Inoxidável, Aço, Nylon	1
2	8549933	Canal de Montagem de Resgate	Aço	1
3	8550248	Canal	Aço	1
4	8526654	Parafuso 3/4" x 9"	Aço	2
5	8522275	Arruela 3/4"	Aço	4
6	8518276	Porca 3/4"	Aço	2
7	9514429	Etiqueta de Identificação	Poliéster	1

	Número da Peça	Descrição	Material	Quantidade
8	9515111	Etiqueta 3M	Poliéster	2
9	9515101	Etiqueta de Rotação	Poliéster	1
10	8550398	Parada de Rotação	Alumínio	2
11	9515112	Etiqueta do Usuário	Poliéster	1

Base de Contrapeso M200

FICHA TÉCNICA: 8530886, 8530887



APLICAÇÃO:

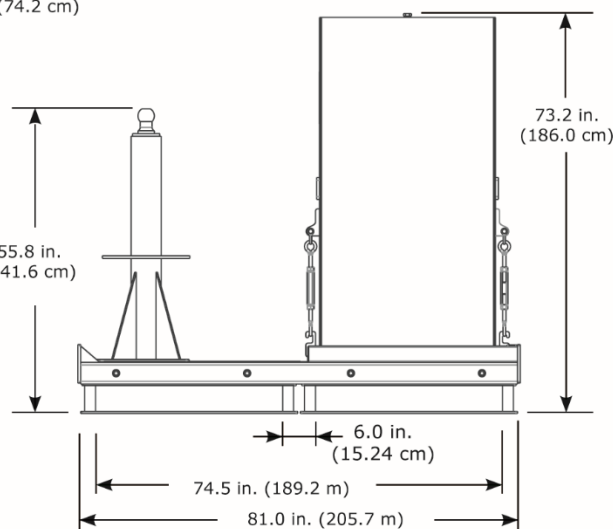
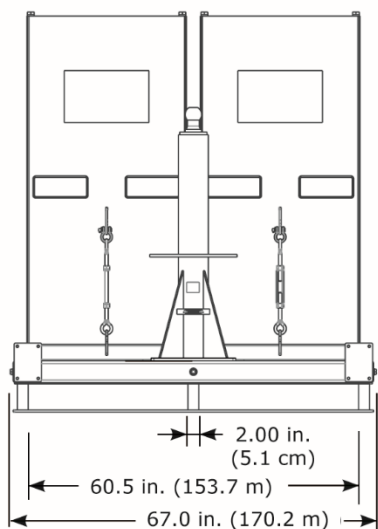
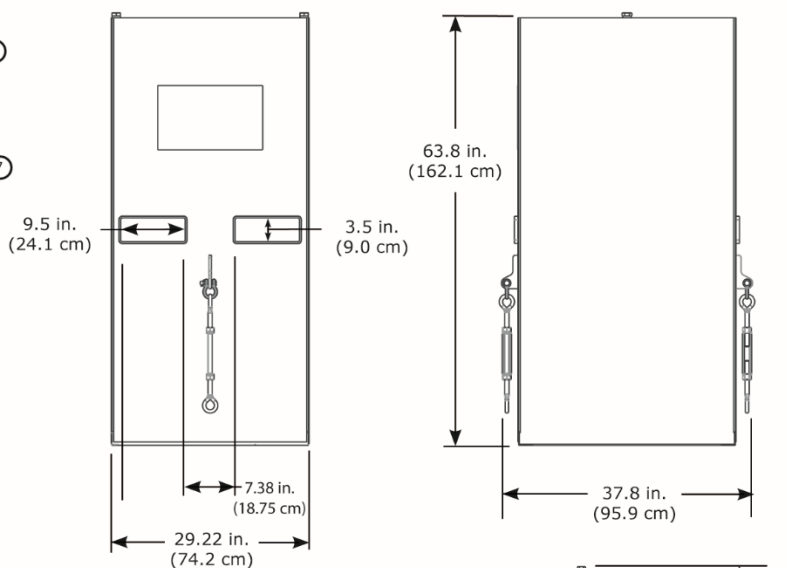
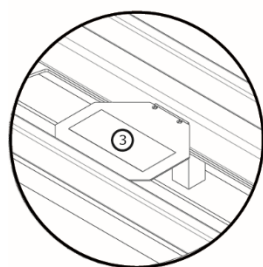
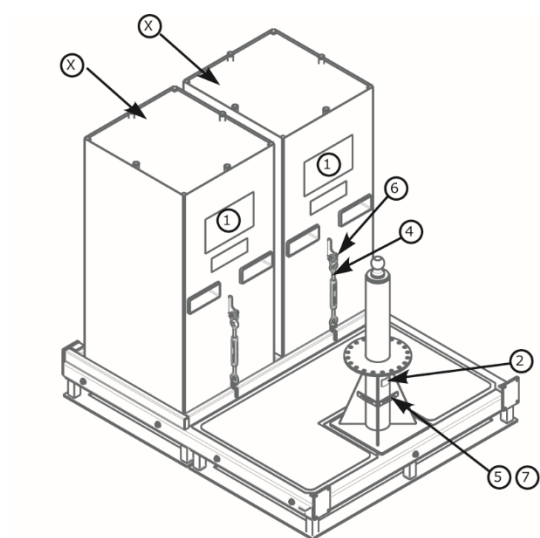
A base do davit é projetada para ser usada como um ponto de montagem para o sistema davit.

Para mais informações sobre a instalação do produto, consulte as instruções do usuário.

Normas: CEN/TS 16415:2013 Tipo E, EN795:2012 Tipo E, OSHA 1910.140, OSHA 1926.502

	X 4,000 psi (30 MPa)	Requisitos da Estrutura de Apoio	Peso
8530886		14,645 lb. (6,643 kg)	2,407 lb. (1,092 kg)
8530887	✓	+ Peso da Lança Giratória M200	11,325 lb. (5,137 kg)

Lista de Componentes				
	Número da Peça	Descrição	Material	Quantidade
1	9515107	Etiqueta do Usuário	Poliéster	1
2	9514429	Etiqueta de Identificação	Poliéster	1
3	9515106	Etiqueta de Advertência	Poliéster	1
4	8520575	Esticador	Aço	2
5	9513627	Parafuso #4	Aço	4
6	9501794	Manilha	Aço	2
7	9515058	Nível de Bolha	Plástico	2
8	9515566	Etiqueta de Advertência	Poliéster	4

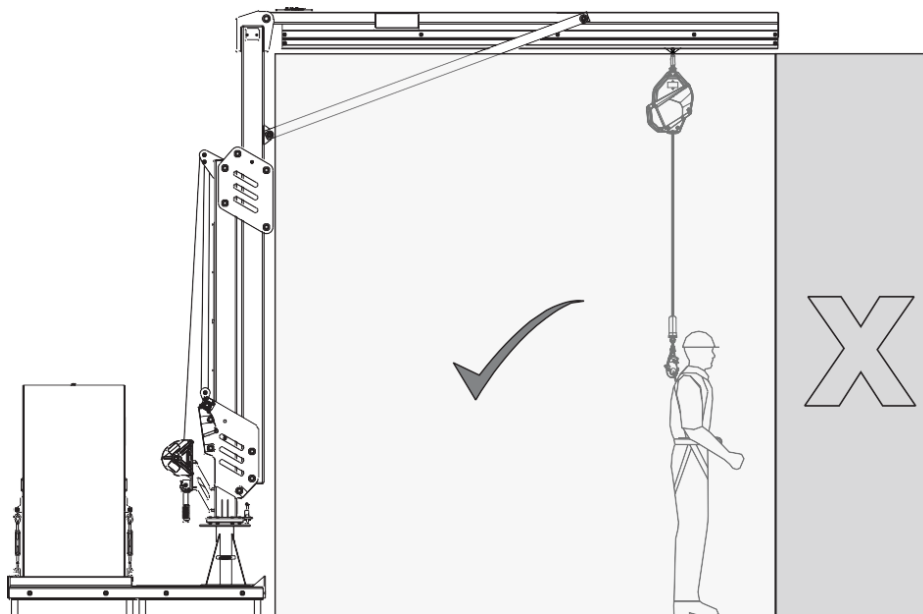
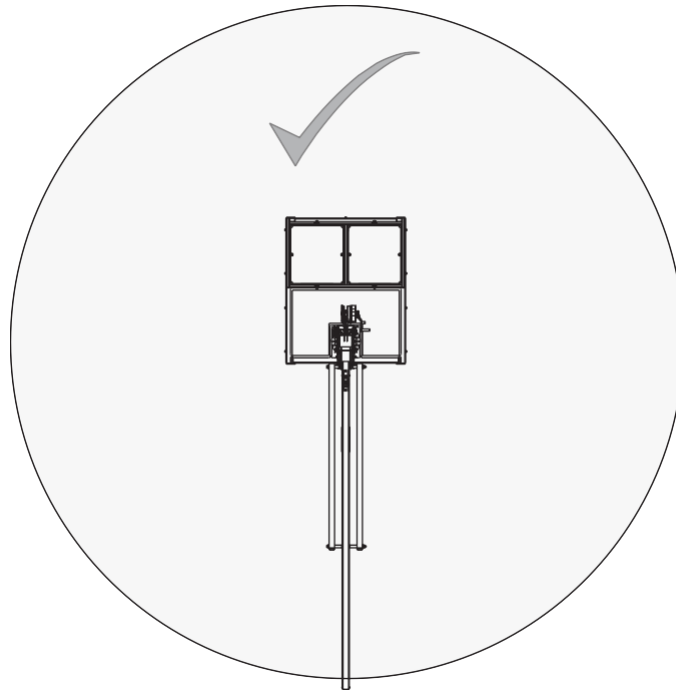


Área de Trabalho da Base de Contrapeso M200
FICHA TÉCNICA: 8530886, 8530887



APLICAÇÃO:

Consulte o diagrama abaixo para a área de trabalho do produto.



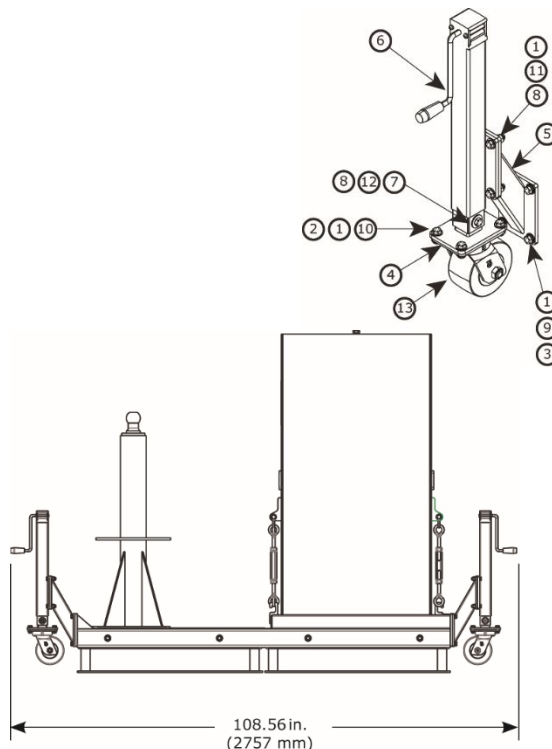
Acessórios da Base de Contrapeso M200

FICHA TÉCNICA: 8530907, 8530908, 8530777

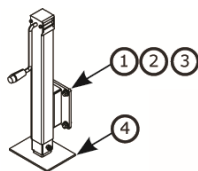


Fall Protection

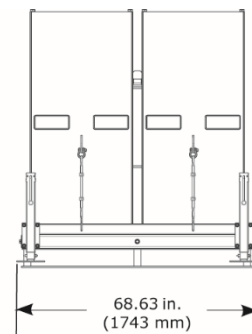
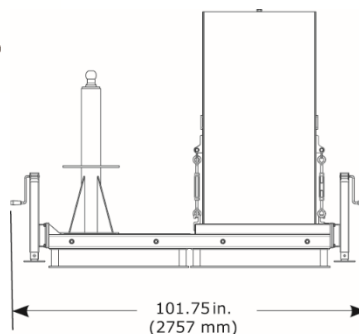
Lista de Componentes				
	Número da Peça	Descrição	Material	Quantidade
1	8510037	Arruela 1/2"	Aço	80
2	8512460	Parafuso 1/2" x 1 1/4"	Aço	16
3	8518432	Parafuso 1/2" x 1"	Aço	16
4	8550153	Conjunto Soldado da Roda	Aço	4
5	8550155	Conjunto Soldado Angulado	Aço	4
6	8550156	Conjunto Soldado Montado	Aço	4
7	9501243	Arruela 1/2"	Aço	8
8	9501831	Porca Sextavada 1/2"	Aço	20
9	9504221	Arruela 1/2"	Aço	16
10	9504813	Porca Sextavada 1/2"	Aço	16
11	9509276	Parafuso 1/2" x 1 3/4"	Aço	16
12	9510153	Parafuso 1/2" x 3 1/4"	Aço	4
13	9515081	Roda Giratória	Aço, Uretano	4



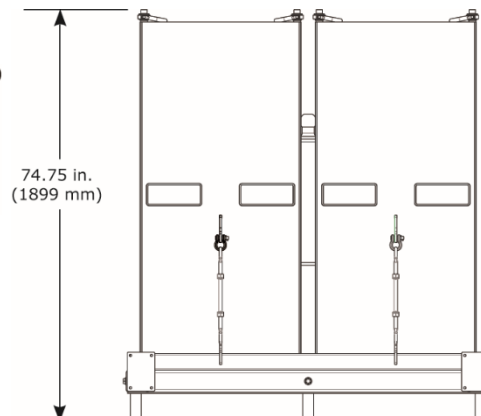
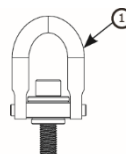
	8530907	8530908	8530777
Peso	108 lb. (49 kg)	152 lb. (69 kg)	12 lb. (5.4 kg)



	Número da Peça	Descrição	Material	Quantidade
1	9504221	Arruela de Pressão 1/2"	Aço	16
2	8510037	Arruela 1/2"	Aço	16
3	8518432	Parafuso 1/2" x 1"	Aço	16
4	8550177	Conjunto Soldado da Roda	Aço	4





Lista de Componentes				
	Número da Peça	Descrição	Material	Quantidade
1	9512574	Anel de Elevação	Aço	4

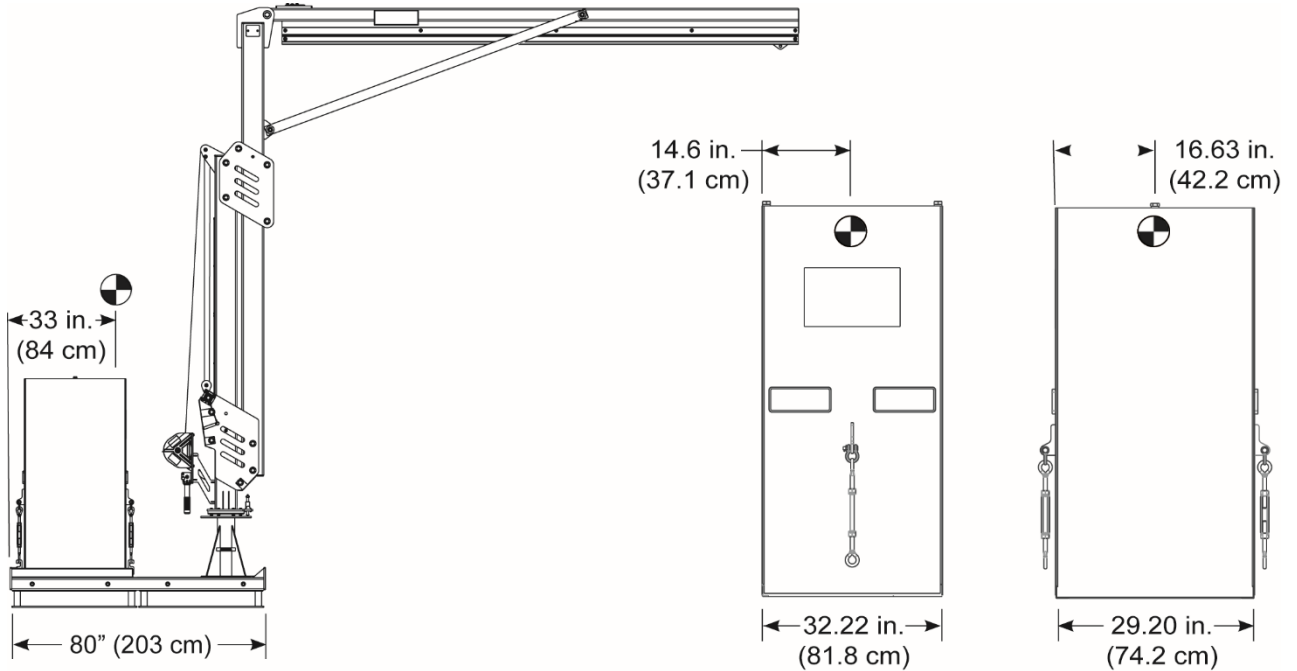



Centro de Gravidade da Base de Contrapeso M200
FICHA TÉCNICA: 8530886, 8530887




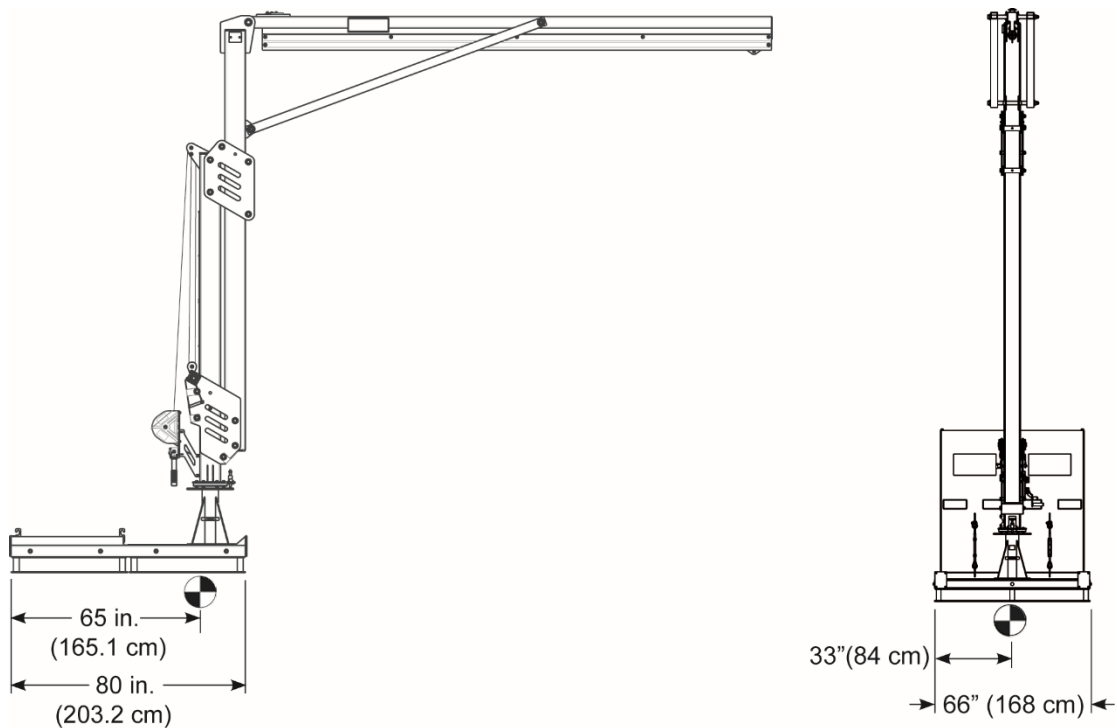
8530887	8530898
 .lb (kg)	12,668 lbs. (5,746 kg)

 .lb (kg)	5,000 lbs. (2,268 kg)
--	--------------------------



8530887	8530898
 .lb (kg)	2,668 lbs. (1,210 kg)

8530887	8530898
 .lb (kg)	12,668 lbs. (5,746 kg)



Base de Montagem no Piso M200

FICHA TÉCNICA: 8530888



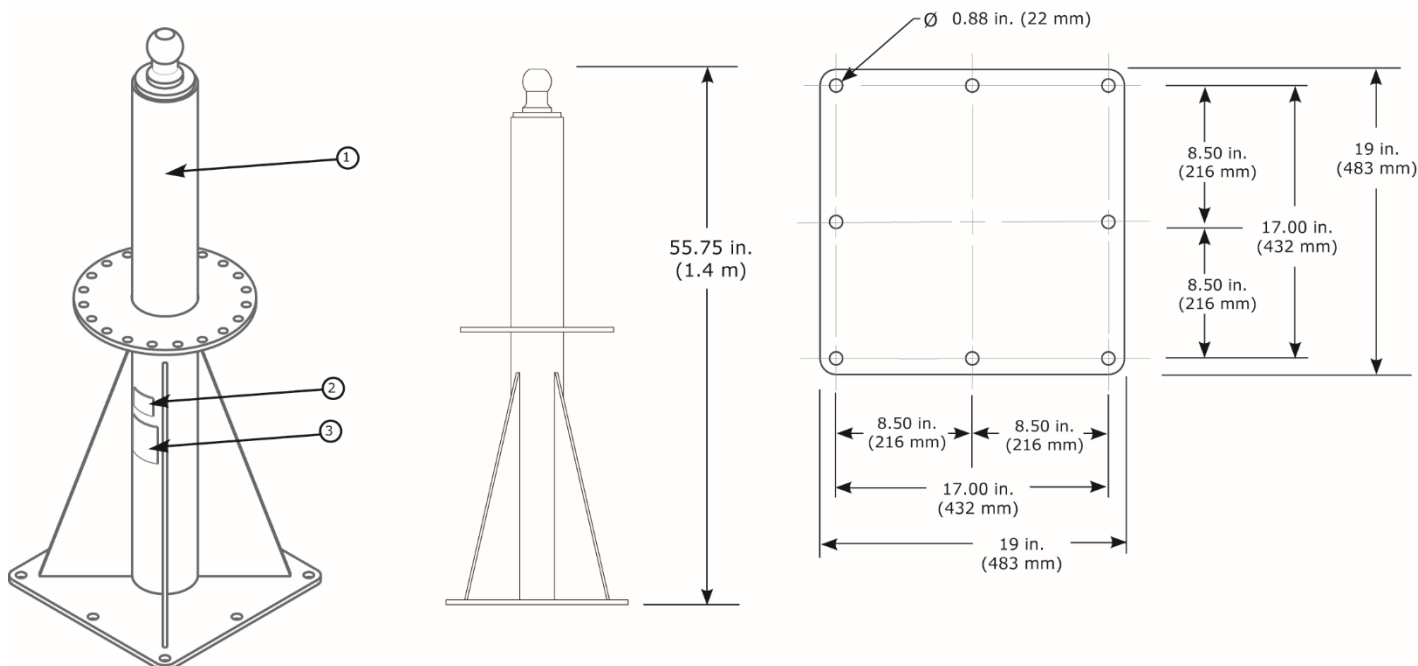
APLICAÇÃO:

A base do davit é projetada para ser usada como um ponto de montagem para o sistema davit.

Para mais informações sobre a instalação do produto, consulte as instruções do usuário.

Normas: CEN/TS 16415:2013 Tipo A, EN795:2012 Tipo A, OSHA 1910.140, OSHA 1926.502

	Peso
8530888	265 lb. (120 kg)



Lista de Componentes				
	Número da Peça	Descrição	Material	Quantidade
1	8549921	Conjunto Soldado da Base	Aço	1
2	9514429	Etiqueta de Identificação	Poliéster	1
3	9515114	Etiqueta do Usuário	Poliéster	1

Requisitos de Montagem		
Força Mínima de Arrancamento do Fixador	Carga Mínima de Momento da Estrutura de Montagem	Carga Mínima Vertical da Estrutura de Montagem
9,386 lb. (4,257 kg)	501,633 in.-lb. (56,677 N-m)	3,320 lb. (1,506 kg) + Peso da base + Peso da Lança Giratória M200

Base de Montagem Embutida M200

FICHA TÉCNICA: 8530889, 8530920, 8530921



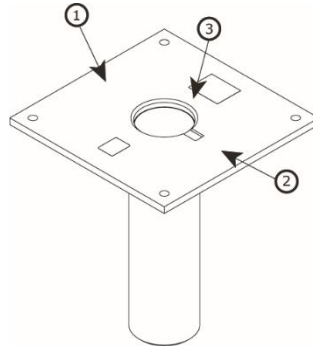
APLICAÇÃO:

A base do davit é projetada para ser usada como um ponto de montagem para o sistema davit.

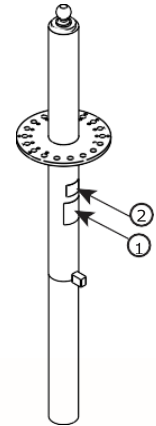
Para mais informações sobre a instalação do produto, consulte as instruções do usuário.

Normas: CEN/TS 16415:2013, EN795:2012 Tipo A, OSHA 1910.140, OSHA 1926.502

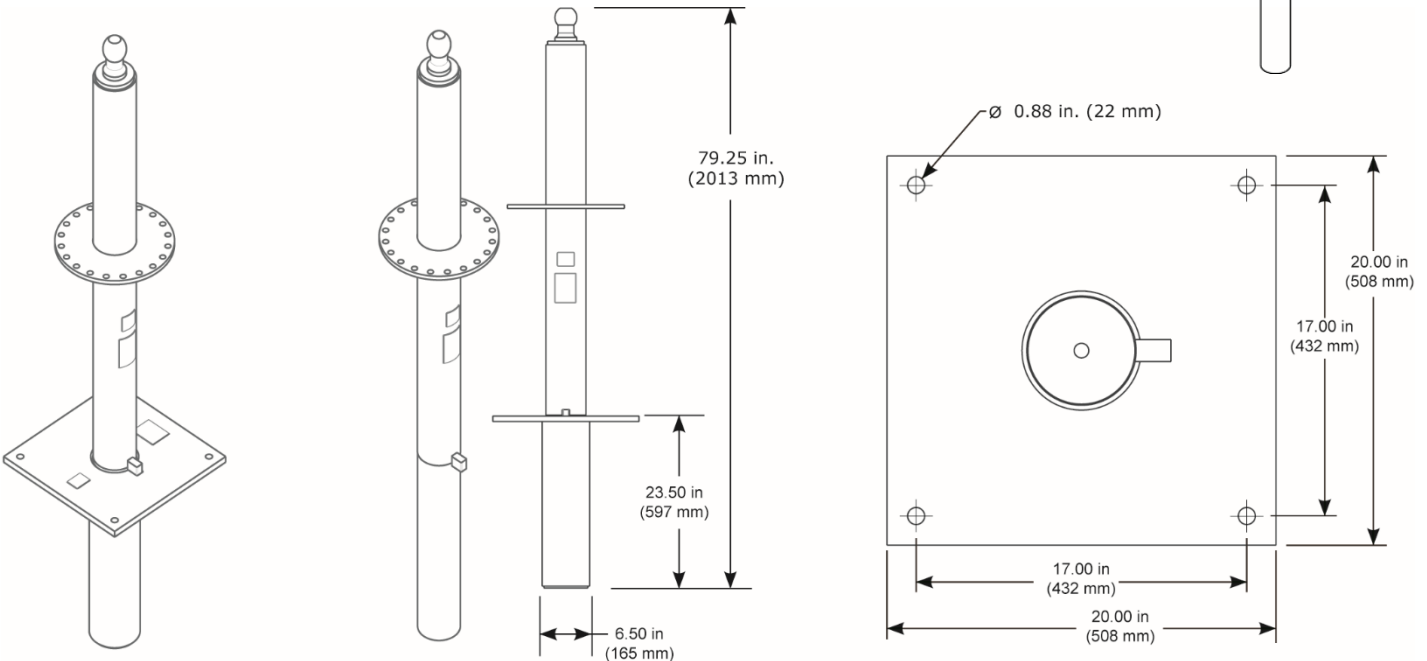
	Peso
8530920	140 lb. (64 kg)



	Peso
8530921	237 lb. (107 kg)



	Peso
8530889	377 lb. (171 kg)

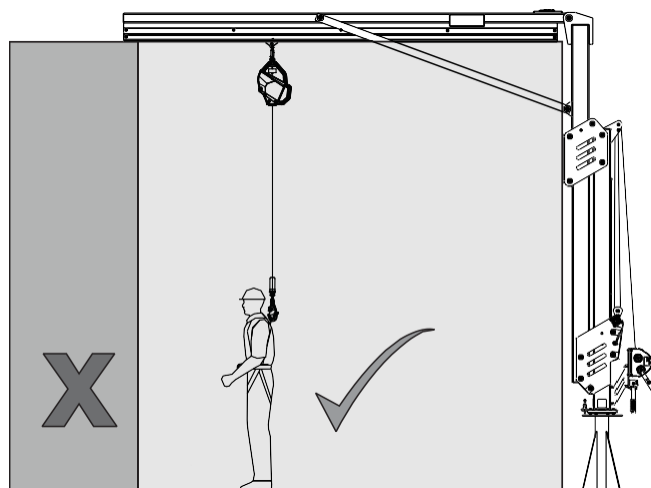
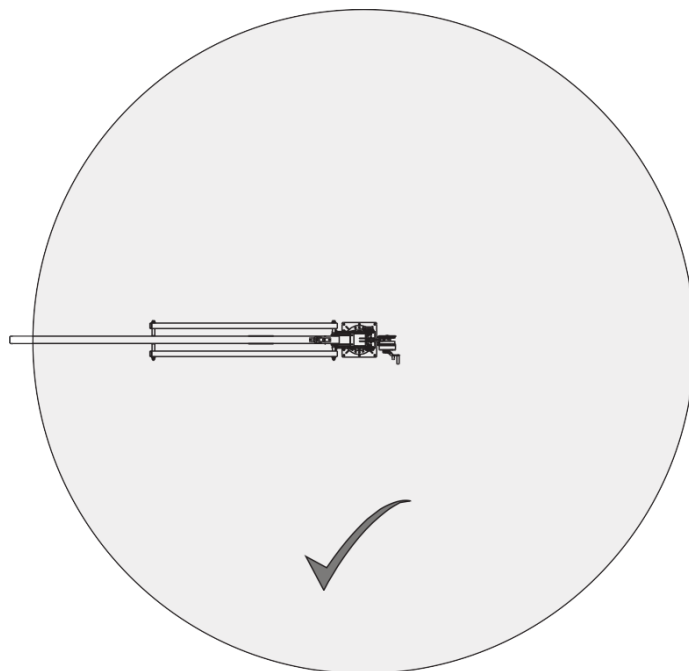


Lista de Componentes				
	Número da Peça	Descrição	Material	Quantidade
1	9515114	Etiqueta do Usuário	Poliéster	1
2	9514429	Etiqueta de Identificação	Poliéster	1
3	8550165	Tampa da Base	Alumínio, Borracha	1

Requisitos de Montagem	
Carga Mínima de Momento da Estrutura de Montagem	Carga Mínima Vertical da Estrutura de Montagem
501,633 in-lb. (56,677 N-m)	3,320 lb. (1,506 kg) + Peso da base + Peso da Lança Giratória M200

APLICAÇÃO:

Consulte o diagrama abaixo para a área de trabalho do produto.



Kit de Bolsão para Garfo

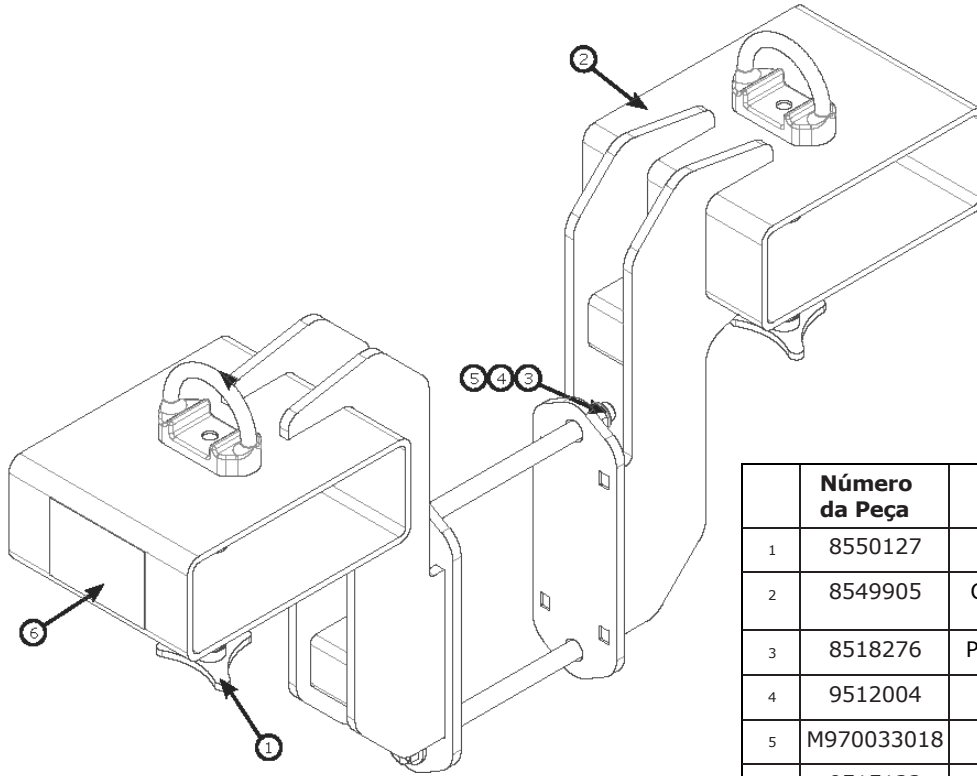
FICHA TÉCNICA: 8530912



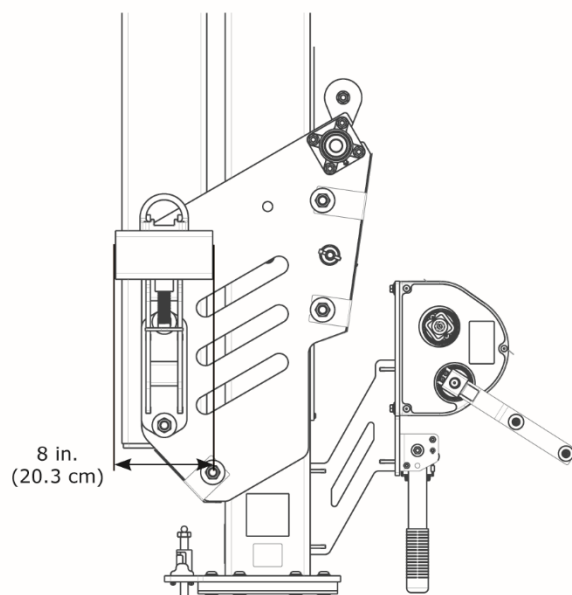
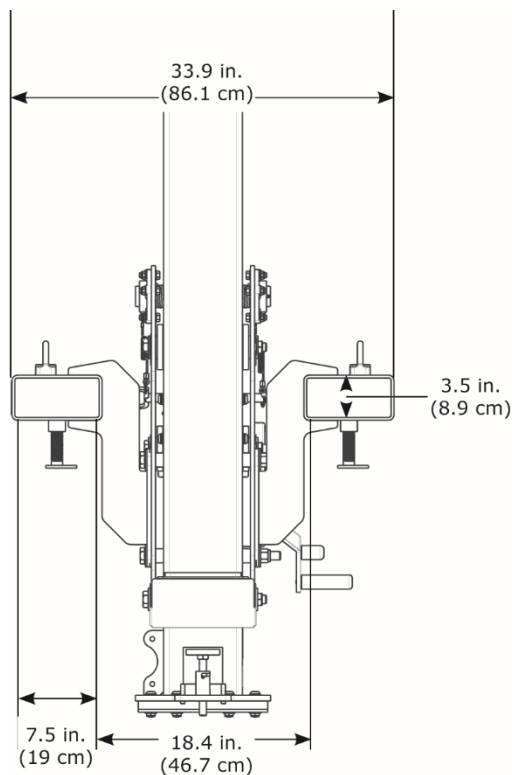
APLICAÇÃO:

Este modelo de kit de bolsão para garfo é projetado para transportar os modelos de davit operados por guincho **8530891-8530898**.

Para mais informações sobre a instalação dos componentes, consulte as instruções do usuário.



	Número da Peça	Componente	Quantidade
1	8550127	Parafuso Triplo	2
2	8549905	Conjunto Soldado do Bolsão para Garfo	2
3	8518276	Porca Sextavada 3/4"	2
4	9512004	Parafuso 3/4" x 12"	2
5	M970033018	Arruela 3/4"	4
6	9515122	Etiqueta do Usuário	1
	9500146	Elo de Corrente	2
	8517096	Corrente	10 ft.



Kit de Bolsão para Garfo

FICHA TÉCNICA: 8530925

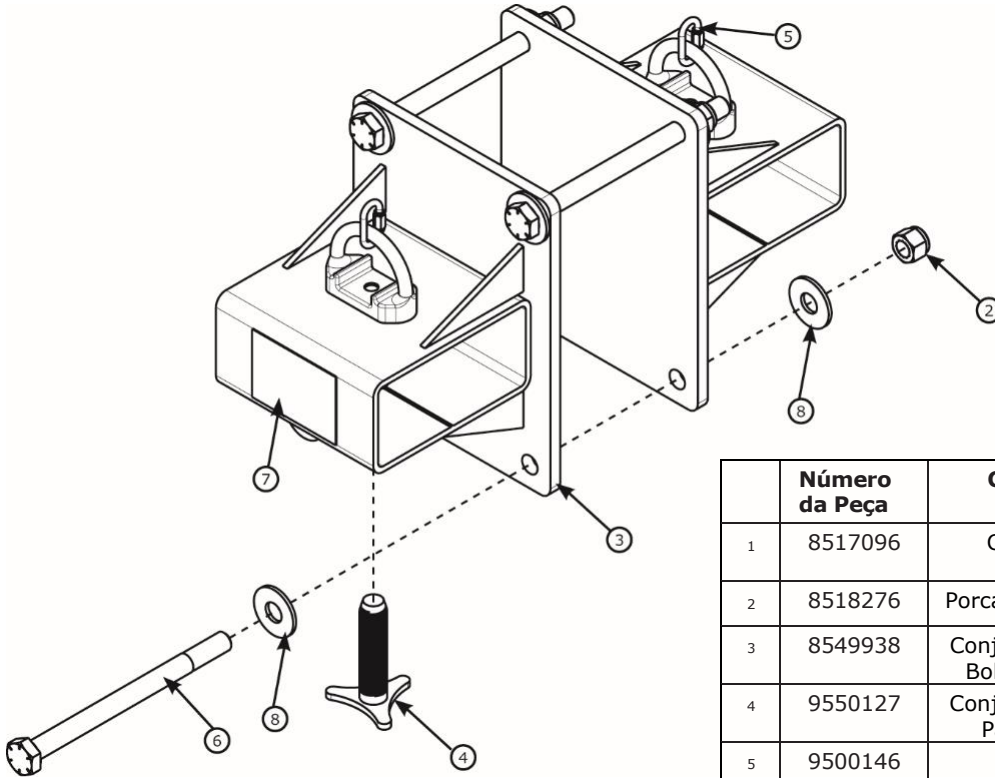


APLICAÇÃO:

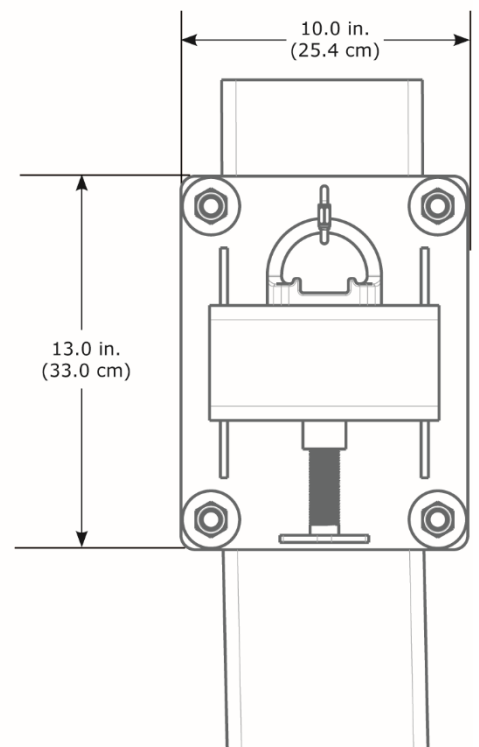
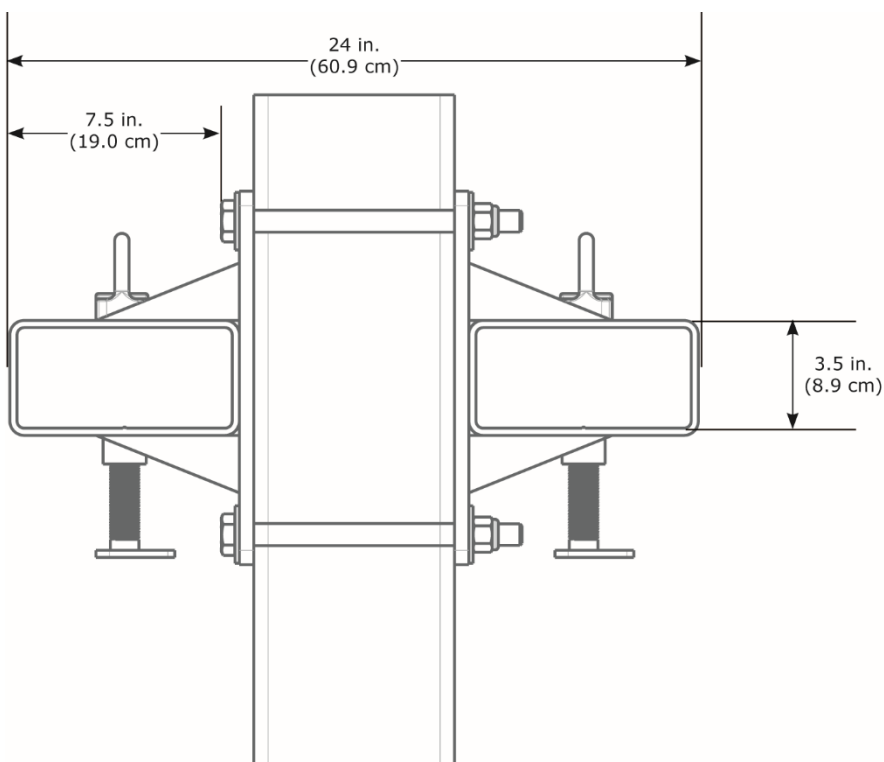
Este modelo de kit de bolsão para garfo é projetado para transportar o davit com modelos de canal de ajuste

8530899-8530904.

Para mais informações sobre a instalação dos componentes, consulte as instruções do usuário..



	Número da Peça	Componente	Quantidade
1	8517096	Corrente (não mostrada)	10 ft.
2	8518276	Porca Sextavada 3/4"	4
3	8549938	Conjunto Soldado do Bolsão para Garfo	2
4	9550127	Conjunto Soldado do Parafuso Triplo	2
5	9500146	Elo Rápido	2
6	9514294	Parafuso de Cabeça Sextavada 3/4"	4
7	9515573	Etiqueta de Advertência	1
8	M970033018	Arruela 3/4"	8



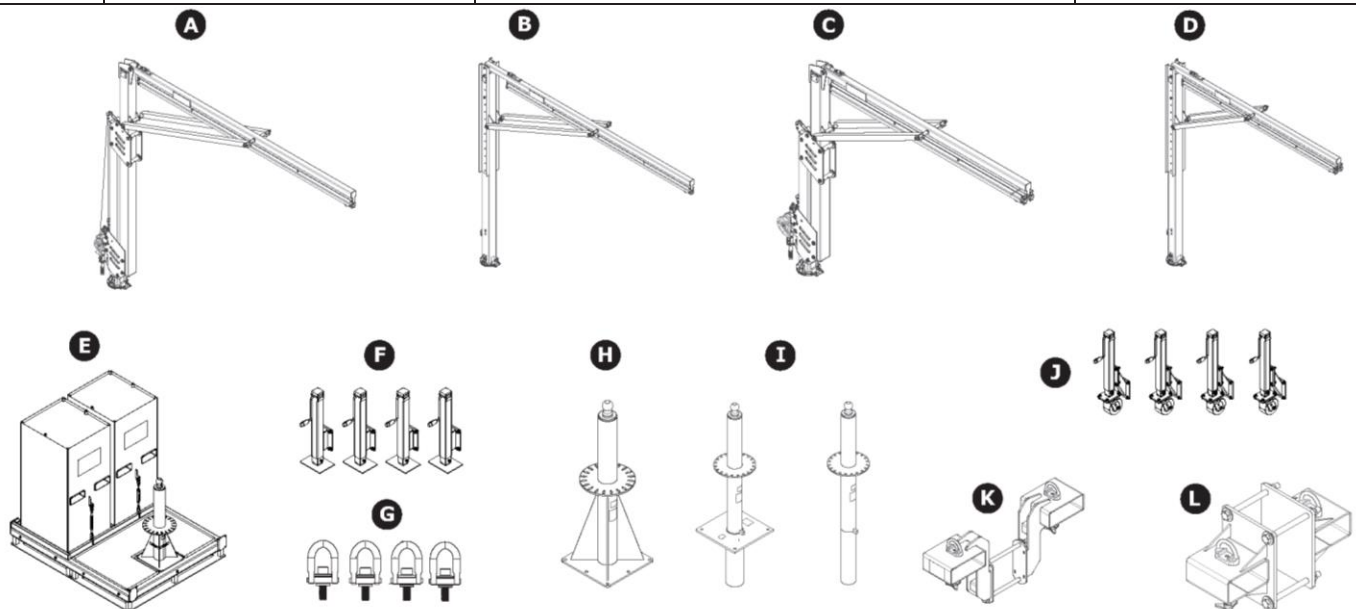


Fall Protection

3M™ DBI-SALA® Sistemele Davit M200

Pachet Fișă Tehnică 5908526 Rev. D

Apel	Fișă Tehnică	Descriere	Pagină
A	8530891	12,3 ft.–15 ft. (3,8 m–4,6 m) Davit reglabil	434
	8530892	14,8 ft.–20 ft. (4,5 m–6,1 m) Davit reglabil	434
	8530893	17,3 ft.–25 ft. (5,3 m–7,6 m) Davit reglabil	434
	8530894	19,8 ft.–30 ft. (6,1 m–9,1 m) Davit reglabil	434
B	8530899	15 ft.–20 ft. (4,6 m–6,1 m) Davit semi-fix	436
	8530900	20 ft.–25 ft. (6,1 m–7,6 m) Davit semi-fix	436
	8530901	25 ft.–30 ft. (7,6 m–9,1 m) Davit semi-fix	436
C	8530895	12,3 ft.–15 ft. (3,8 m–4,6 m) Davit reglabil	438
	8530896	14,8 ft.–20 ft. (4,5 m–6,1 m) Davit reglabil	438
	8530897	17,3 ft.–25 ft. (5,3 m–7,6 m) Davit reglabil	438
	8530898	19,8 ft.–30 ft. (6,1 m–9,1 m) Davit reglabil	438
D	8530902	15 ft.–20 ft. (4,6 m–6,1 m) Davit semi-fix	440
	8530903	20 ft.–25 ft. (6,1 m–7,6 m) Davit semi-fix	440
	8530904	25 ft.–30 ft. (7,6 m–9,1 m) Davit semi-fix	440
E	8530886	Bază contragreutate neumplută	442
	8530887	Bază contragreutate umplută	442
F	8530907	Crice pentru bază contragreutate	444
G	8530777	Înele de ridicare pentru bază contragreutate	444
H	8530888	Bază montare pe podea	446
I	8530889, 8530920, 8530921	Bază montare la nivel	447
J	8530908	Roți pentru bază contragreutate	444
K	8530912	Kit buzunar furcă	449
L	8530925	Kit buzunar furcă	450



Davit reglabil

FIȘĂ TEHNICĂ: 8530891–8530894





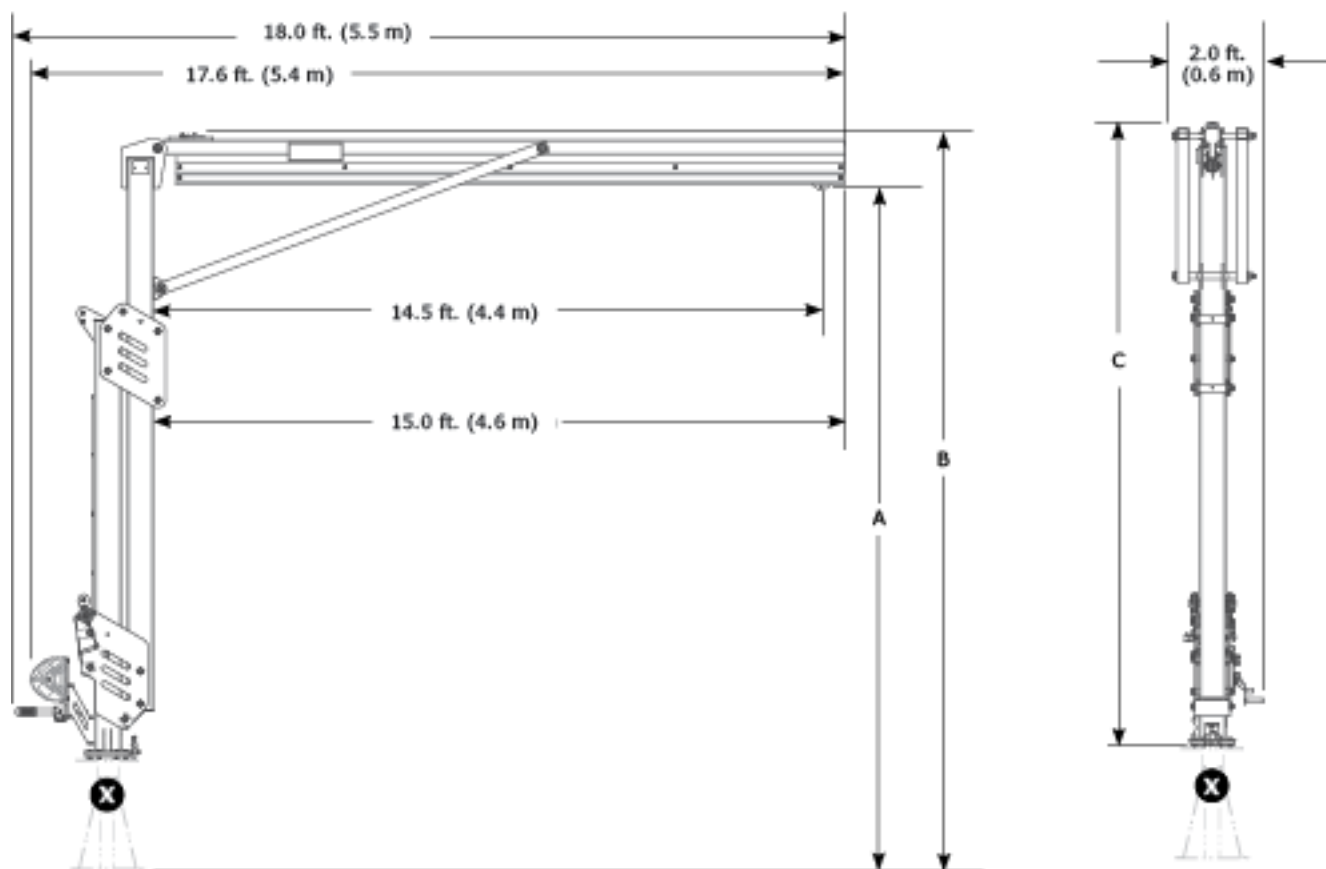
APLICAȚIE:

Davitul este conceput pentru a oferi puncte de conectare de ancorare pentru un sistem de protecție împotriva căderii.

Pentru mai multe informații despre instalarea produsului, consultați instrucțiunile utilizatorului.

Standarde: EN795:2012 Tip E, OSHA 1910.140, OSHA 1926.502

	≤ 1350 lb. (6 kN)
	≤ 310 lb. (140 kg)
1x	



	A	B	C	lb. (kg)
8530891	12.3 ft. – 15.0 ft. (3.8 m – 4.6 m)	13.4 ft. – 16.1 ft. (4.1 m – 4.9 m)	9.8 ft. – 14.8 ft. (3.0 m – 4.5 ft.)	945 lb. (429 kg)
8530892	14.8 ft. – 20.0 ft. (4.5 m – 6.1 m)	15.9 ft. – 21.1 ft. (4.8 m – 6.4 m)	13.5 ft. – 18.7 ft. (4.1 m – 5.7 m)	1,057 lb. (479 kg)
8530893	17.3 ft. – 25.0 ft. (5.3 m – 7.6 m)	18.4 ft. – 26.1 ft. (5.6 m – 8.0 m)	16.0 – 23.7 ft. (4.9 m – 7.2 m)	1,169 lb. (530 kg)
8530894	19.8 ft. – 30.0 ft. (6.0 m – 9.1 m)	20.9 ft. – 31.1 ft. (6.4 m – 9.5 m)	18.5 ft. – 28.7 ft. (5.6 m – 8.7 m)	1,281 lb. (581 kg)

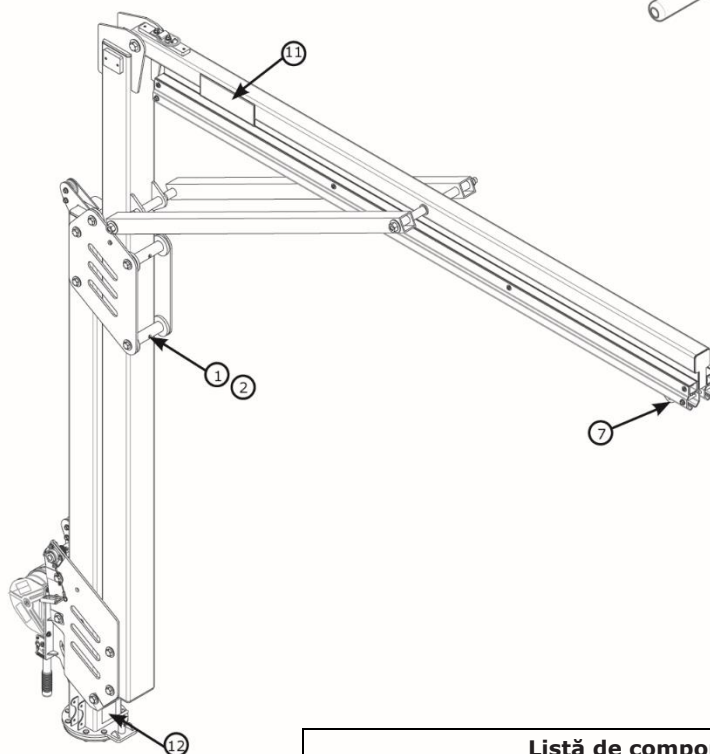
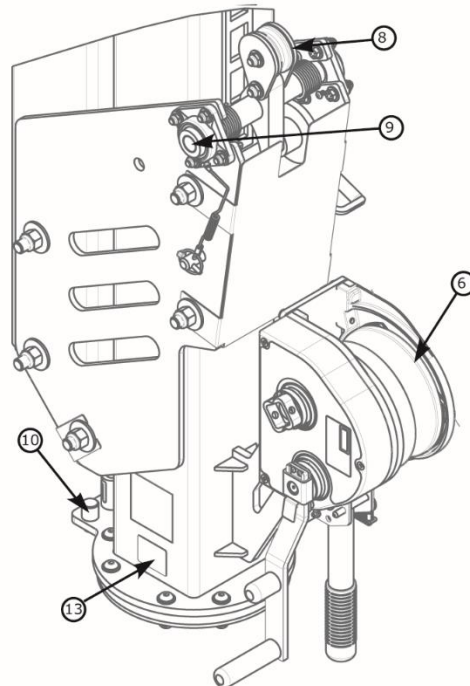
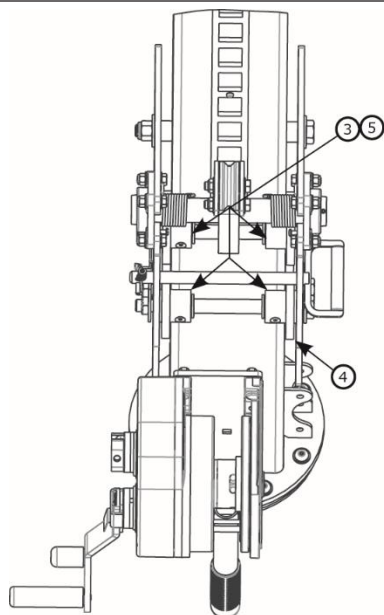
Componente Davit Reglabil

FIȘĂ TEHNICĂ: 8530891-8530894

3M

DBI
SALA

Fall Protection



Listă de componente				
	Număr de piesă	Descriere	Material	Cantitate
1	8550046	Role lată	Nailon	3
2	8550047	Distanțier rolă lată	Oțel inoxidabil 304	3
3	8550327	Role îngustă	Nailon	2
4	9514703	Role laterală	Nailon	8
5	8550213	Distanțier rolă îngustă	Oțel inoxidabil 304	2
6	8549930	Troliu	Oțel	1
7	8521711	Cărucior	Oțel, Nailon	1

Listă de componente				
	Număr de piesă	Descriere	Material	Cantitate
8	8550223	Mecanism de blocare (doar reparație autorizată)	Oțel, Nailon	1
9	9515138	Rulmenți	Oțel	2
10	8550398	Opritor de rotație	Aluminiu	2
11	9515111	Etichetă 3M	Poliester	2
12	9515101	Etichetă de rotație	Poliester	1
13	9514429	Etichetă de identificare	Poliester	1
14	9515112	Etichetă utilizator	Poliester	1

Davit semi-fix
FIȘĂ TEHNICĂ: 8530899-8530901





APLICAȚIE:

Davitul este conceput pentru a oferi puncte de conectare de ancorare pentru un sistem de protecție împotriva căderii.

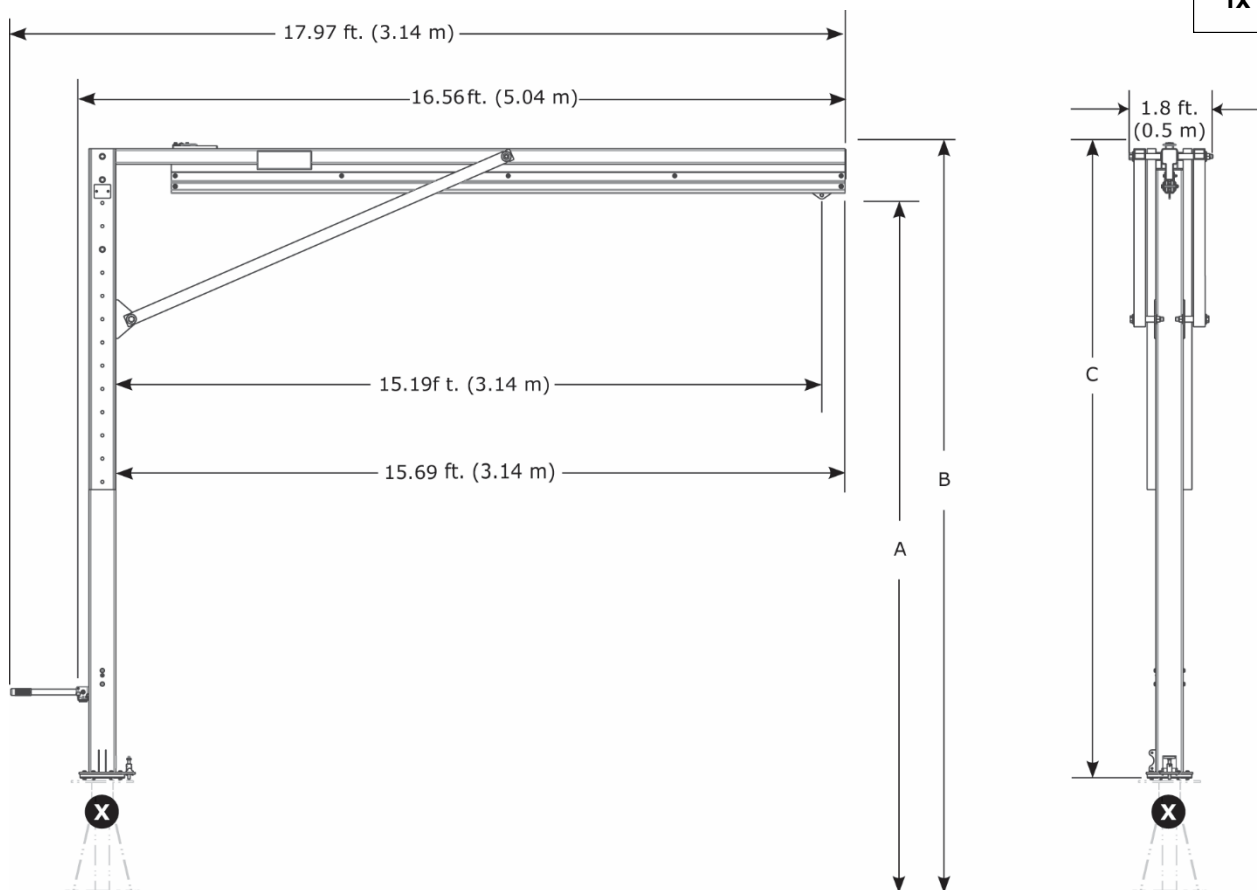
Pentru mai multe informații despre instalarea produsului, consultați instrucțiunile utilizatorului.

Standarde: EN795:2012 Tip E, OSHA 1910.140, OSHA 1926.502

 ≤ 1350 lb.
(6 kN)

 ≤ 310 lb.
(140 kg)

1x



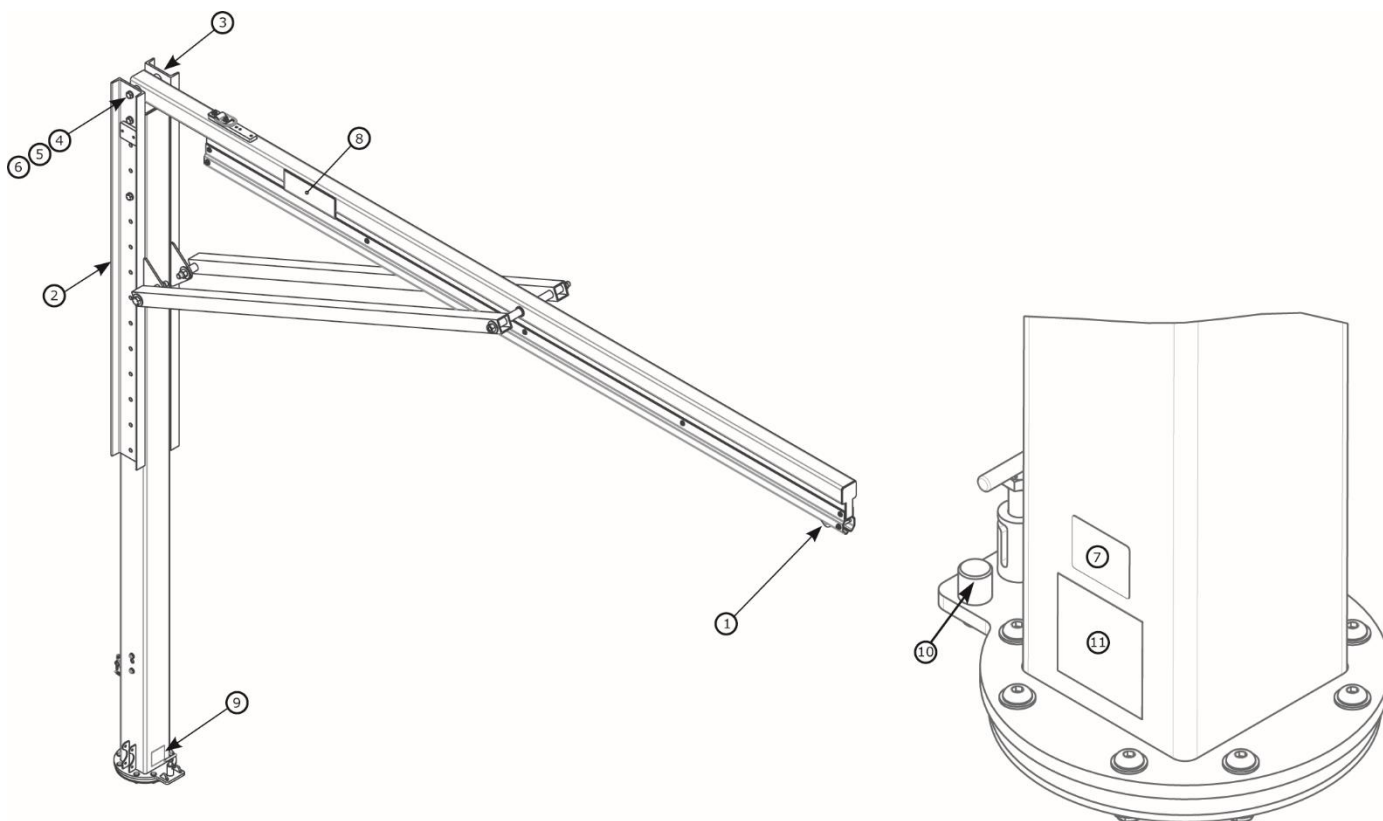
	A	B	C	lb. (kg)
8530899	15.0 ft. – 20.0 ft. (4.6 m – 6.1 m)	16.1 ft. – 21.1 ft. (4.9 m – 6.4 m)	13.7 ft. – 18.7 ft. (4.2 m – 5.7 m)	818 lb. (371 kg)
8530900	20.0 ft. – 25.0 ft. (6.1 m – 7.6 m)	21.1 ft. – 26.1 ft. (6.4 m – 7.9 m)	18.7 ft. – 23.7 ft. (5.7 m – 7.2 m)	930 lb. (422 kg)
8530901	25.0 ft. – 30.0 ft. (7.6 m – 9.1 m)	26.1 ft. – 31.1 ft. (7.9 m – 9.6 m)	23.7 ft. – 28.7 ft. (7.2 m – 8.7 m)	1,041 lb. (472 kg)
+6" (152 mm) incrementări de ajustare				

Componente Davit Semi-Fix

FIȘĂ TEHNICĂ: 8530899-8530901

3M

DBI
SALA
Fall Protection



	Număr de piesă	Descriere	Material	Cantitate
1	8521711	Cărucior	Oțel inoxidabil, Oțel, Nailon	1
2	8549933	Canal montare salvare	Oțel	1
3	8550248	Canal	Oțel	1
4	8526654	Șurub 3/4" x 9"	Oțel	2
5	8522275	Șaibă 3/4"	Oțel	4
6	8518276	Piuliță 3/4"	Oțel	2
7	9514429	Etichetă de identificare	Poliester	1

	Număr de piesă	Descriere	Material	Cantitate
8	9515111	Etichetă 3M	Poliester	2
9	9515101	Etichetă de rotație	Poliester	1
10	8550398	Opritor de rotație	Aluminiu	2
11	9515112	Etichetă utilizator	Poliester	1

Davit reglabil

FIȘĂ TEHNICĂ: 8530895–8530898



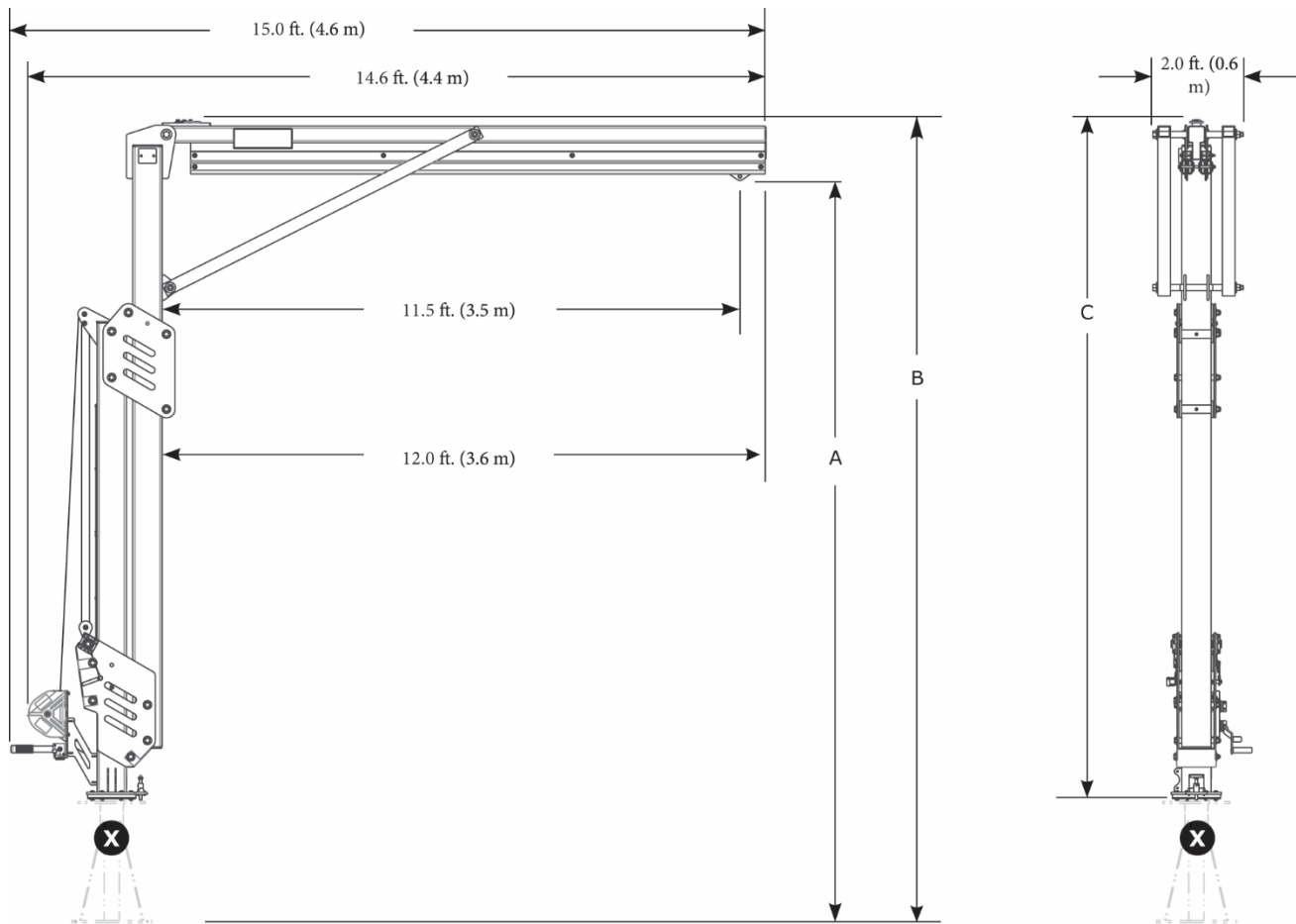
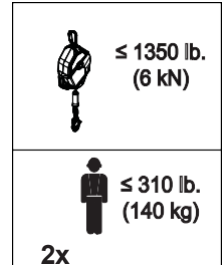
Fall Protection

APLICAȚIE:

Davitul este conceput pentru a oferi puncte de conectare de ancorare pentru un sistem de protecție împotriva căderii.

Pentru mai multe informații despre instalarea produsului, consultați instrucțiunile utilizatorului.

Standarde: CEN/TS 16415:2013 Tip E, EN795:2012 Tip E, OSHA 1910.140, OSHA 1926.502



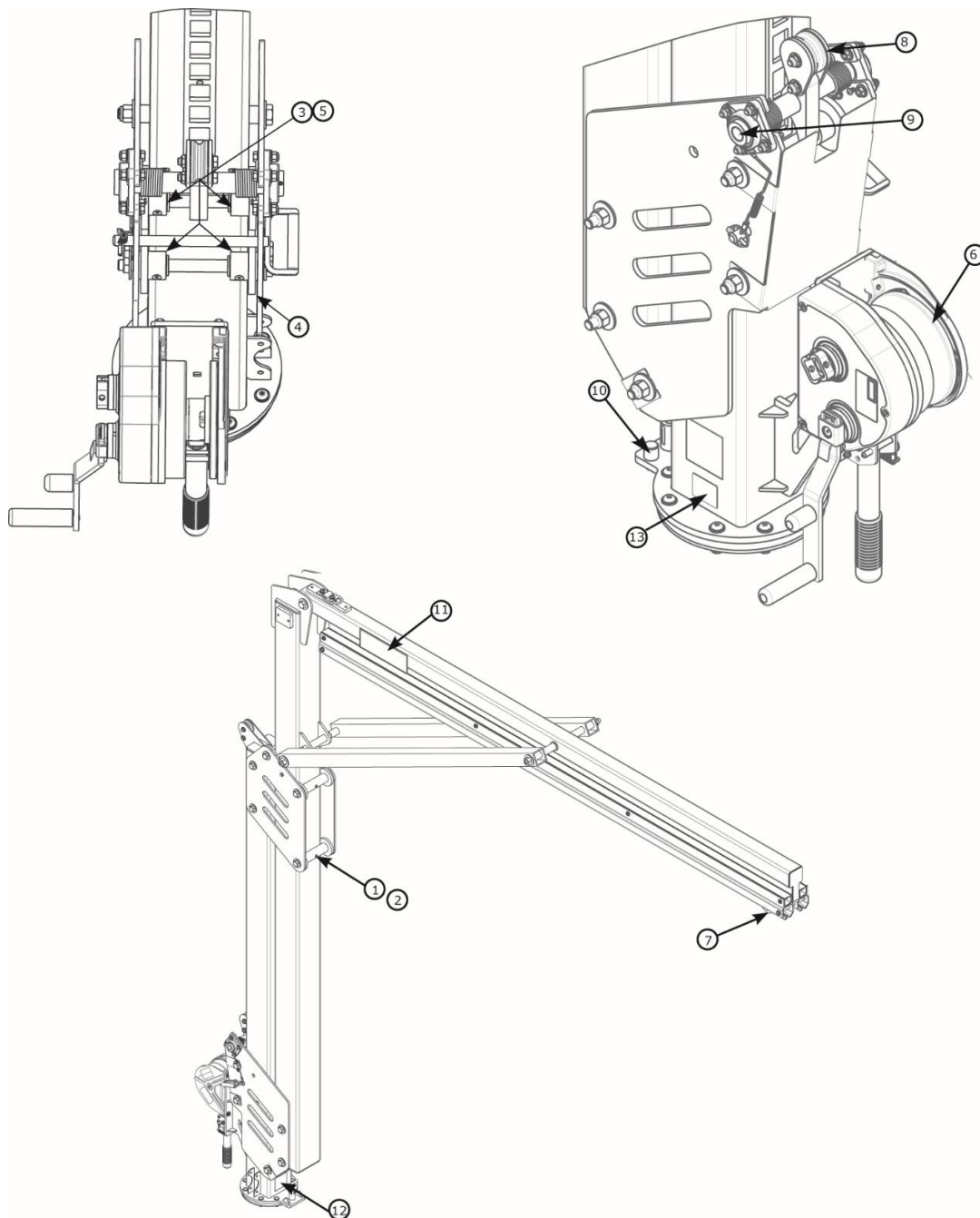
	A	B	C	lb. (kg)
8530895	12.3 ft. – 15.0 ft. (3.8 m – 4.6 m)	13.4 ft. – 16.1 ft. (4.1 m – 4.9 m)	11.0 ft. – 13.7 ft. (3.4 m – 4.2 m)	1,011 lb. (459 kg)
8530896	14.8 ft. – 20.0 ft. (4.5 m – 6.1 m)	15.9 ft. – 21.1 ft. (4.8 m – 6.4 m)	13.5 ft. – 18.7 ft. (4.1 m – 5.7 m)	1,123 lb. (509 kg)
8530897	17.3 ft. – 25.0 ft. (5.3 m – 7.6 m)	18.4 ft. – 26.1 ft. (5.6 m – 8.0 m)	16.0 – 23.7 ft. (4.9 m – 7.2 m)	1,235 lb. (560 kg)
8530898	19.8 ft. – 30.0 ft. (6.0 m – 9.1 m)	20.9 ft. – 31.1 ft. (6.4 m – 9.5 m)	18.5 ft. – 28.7 ft. (5.6 m – 8.7 m)	1,343 lb. (609 kg)

Componente Davit Reglabil

FIȘĂ TEHNICĂ: 8530895-8530898

3M

DBI
SALA
Fall Protection



Listă de componente

	Număr de piesă	Descriere	Material	Cantitate
1	8550046	Role lată	Nailon	3
2	8550047	Distanțier rolă lată	Oțel inoxidabil 304	3
3	8550327	Role îngustă	Nailon	2
4	9514703	Role laterală	Nailon	8
5	8550213	Distanțier rolă îngustă	Oțel inoxidabil 304	2
6	8549930	Troliu	Oțel	1
7	8521711	Cărucior	Oțel, Nailon	1

Listă de componente

	Număr de piesă	Descriere	Material	Cantitate
8	8550223	Mecanism de blocare (doar reparație autorizată)	Oțel, Nailon	1
9	9515138	Rulmenți	Oțel	2
10	8550398	Opritor de rotație	Aluminiu	2
11	9515111	Etichetă 3M	Poliester	2
12	9515101	Etichetă de rotație	Poliester	1
13	9514429	Etichetă de identificare	Poliester	1

Davit semi-fix

FIȘĂ TEHNICĂ: 8530902-8530904





APLICAȚIE:

Davitul este conceput pentru a oferi puncte de conectare de ancorare pentru un sistem de protecție împotriva căderii.

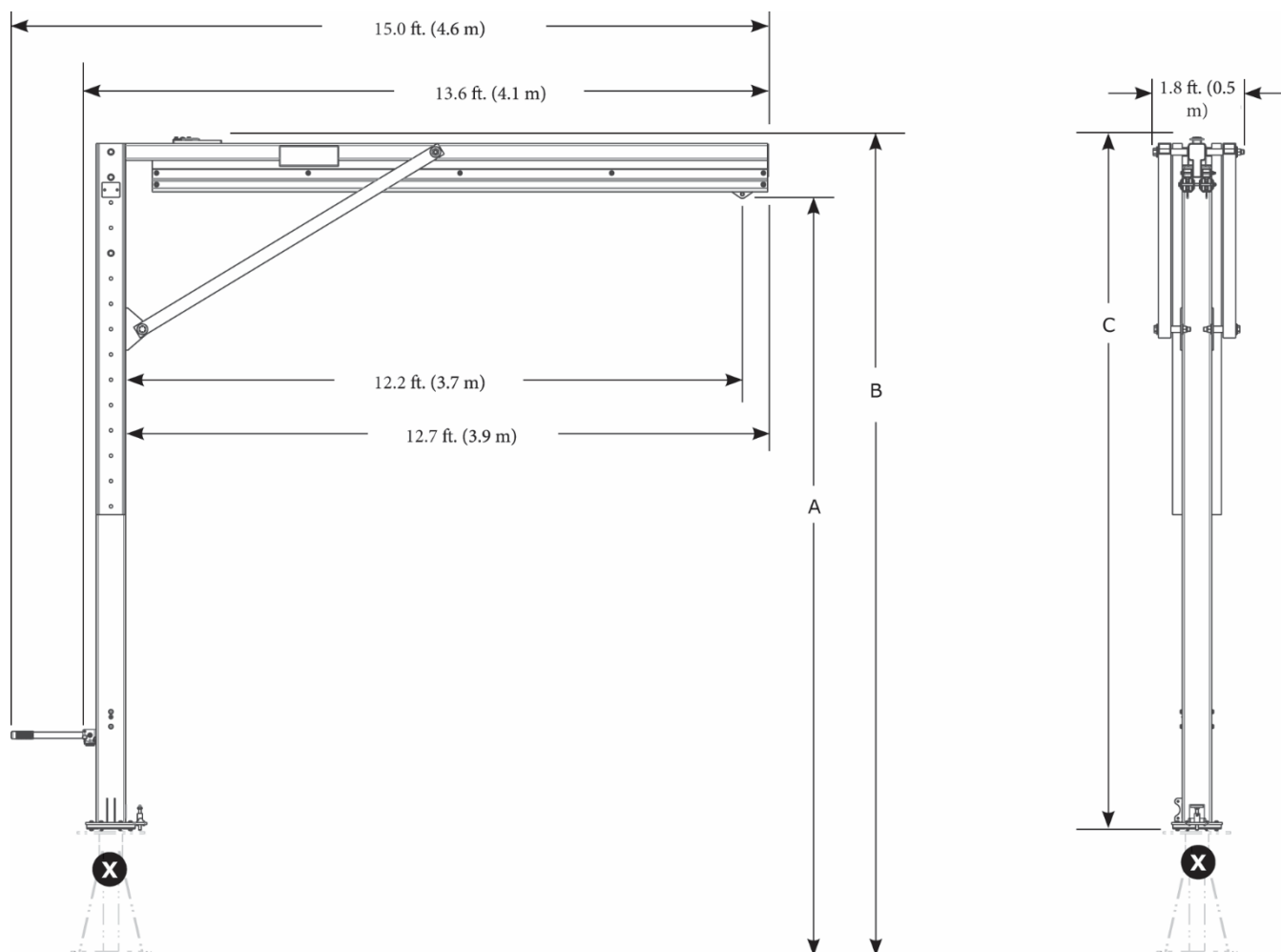
Pentru mai multe informații despre instalarea produsului, consultați instrucțiunile utilizatorului.

Standarde: CEN/TS 16415:2013 Tip E, EN795:2012 Tip E, OSHA 1910.140, OSHA 1926.502

 ≤ 1350 lb.
(6 kN)

 ≤ 310 lb.
(140 kg)

2x



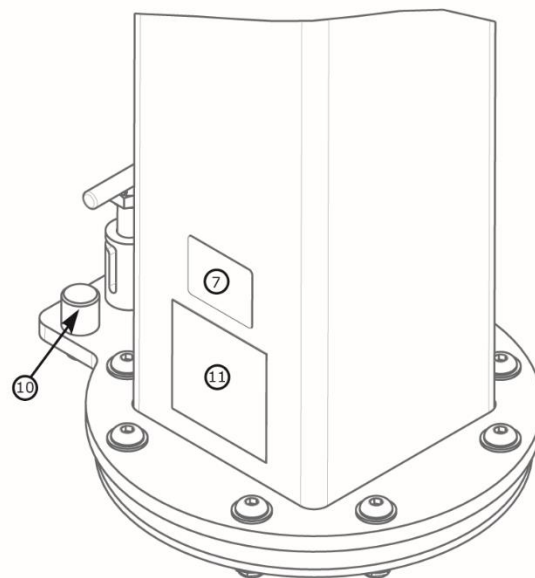
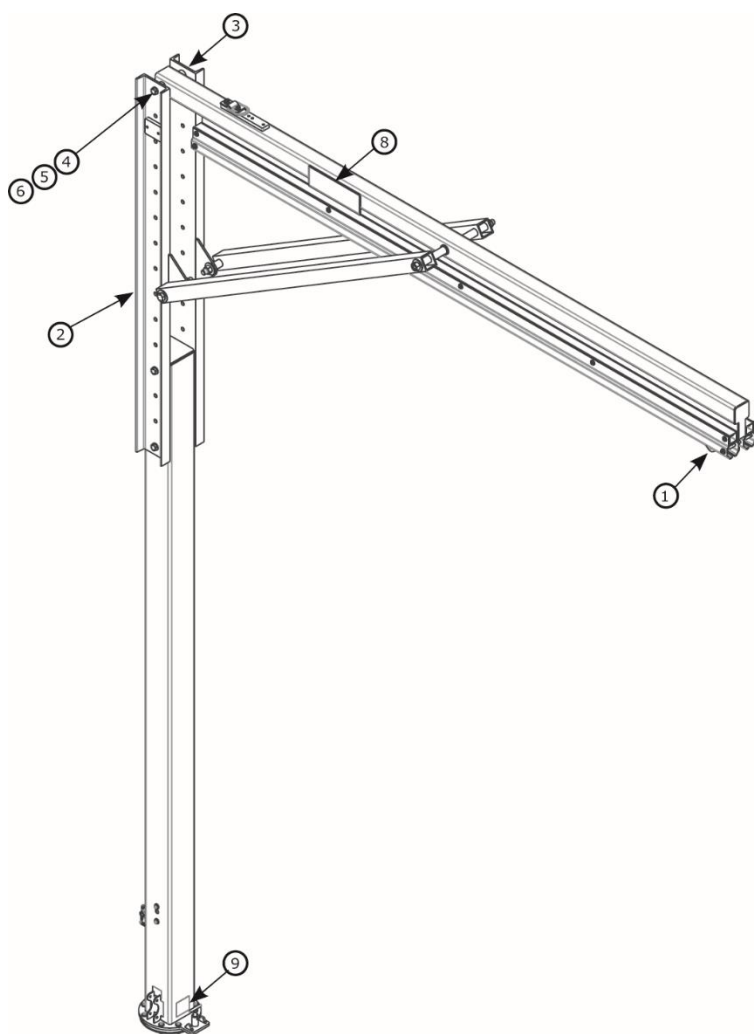
	A	B	C	lb. (kg)
8530902	15.0 ft. – 20.0 ft. (4.6 m – 6.1 m)	16.1 ft. – 21.1 ft. (4.9 m – 6.4 m)	13.7 ft. – 18.7 ft. (4.2 m – 5.7 m)	850 lb. (386 kg)
8530903	20.0 ft. – 25.0 ft. (6.1 m – 7.6 m)	21.1 ft. – 26.1 ft. (6.4 m – 7.9 m)	18.7 ft. – 23.7 ft. (5.7 m – 7.2 m)	961 lb. (436 kg)
8530904	25.0 ft. – 30.0 ft. (7.6 m – 9.1 m)	26.1 ft. – 31.1 ft. (7.9 m – 9.6 m)	23.7 ft. – 28.7 ft. (7.2 m – 8.7 m)	1,073 lb. (487 kg)

Componente Davit Semi-Fix

FIȘĂ TEHNICĂ: 8530902-8530904

3M

DBI
SALA
Fall Protection



	Număr de piesă	Descriere	Material	Cantitate
1	8521711	Cărucior	Oțel inoxidabil, Oțel, Nailon	1
2	8549933	Canal montare salvare	Oțel	1
3	8550248	Canal	Oțel	1
4	8526654	Șurub 3/4" x 9"	Oțel	2
5	8522275	Șaibă 3/4"	Oțel	4
6	8518276	Piuliță 3/4"	Oțel	2
7	9514429	Etichetă de identificare	Poliester	1

	Număr de piesă	Descriere	Material	Cantitate
8	9515111	Etichetă 3M	Poliester	2
9	9515101	Etichetă de rotație	Poliester	1
10	8550398	Opritor de rotație	Aluminiu	2
11	9515112	Etichetă utilizator	Poliester	1

Bază contragreutate M200

FIȘĂ TEHNICĂ: 8530886, 8530887



APLICAȚIE:

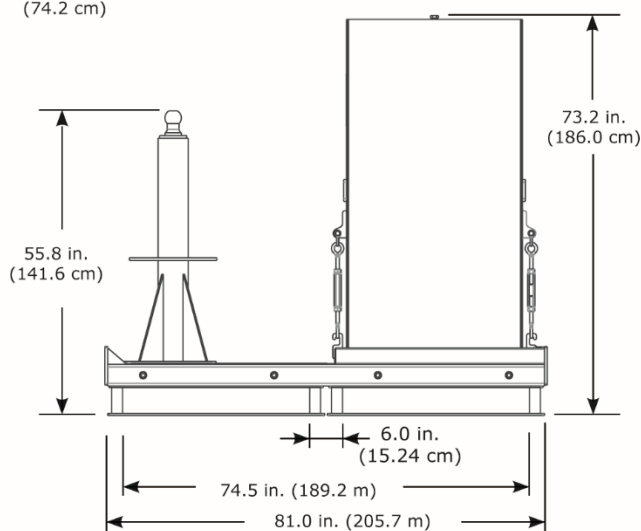
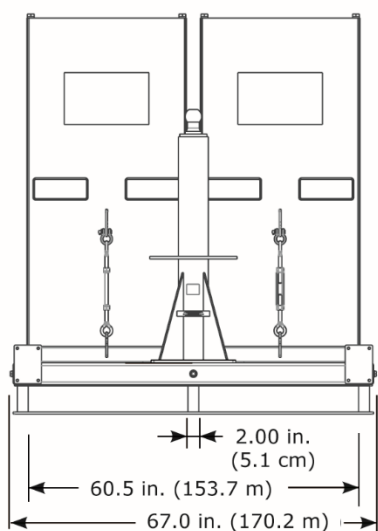
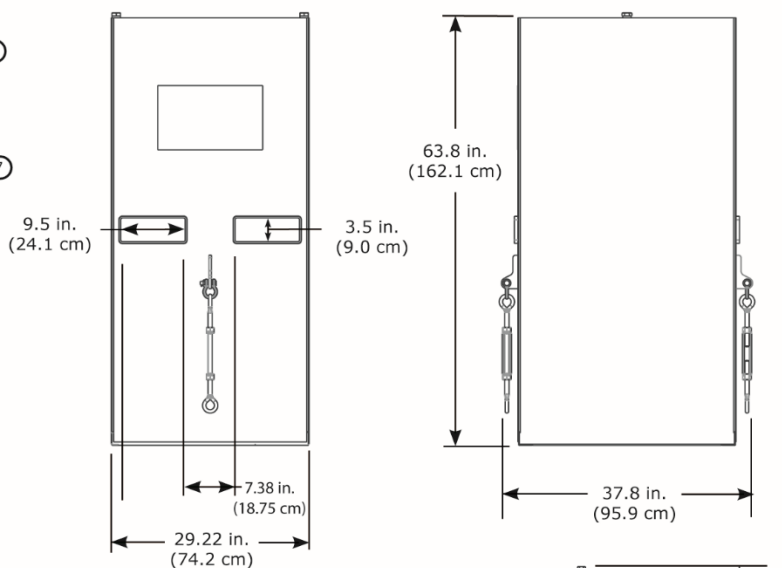
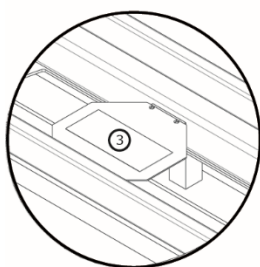
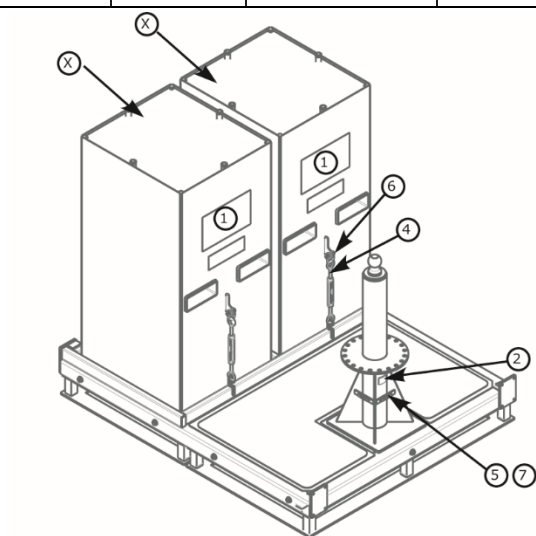
Baza davitului este concepută pentru a fi utilizată ca punct de montare pentru sistemul davit.

Pentru mai multe informații despre instalarea produsului, consultați instrucțiunile utilizatorului.

Standarde: CEN/TS 16415:2013 Tip E, EN795:2012 Tip E, OSHA 1910.140, OSHA 1926.502

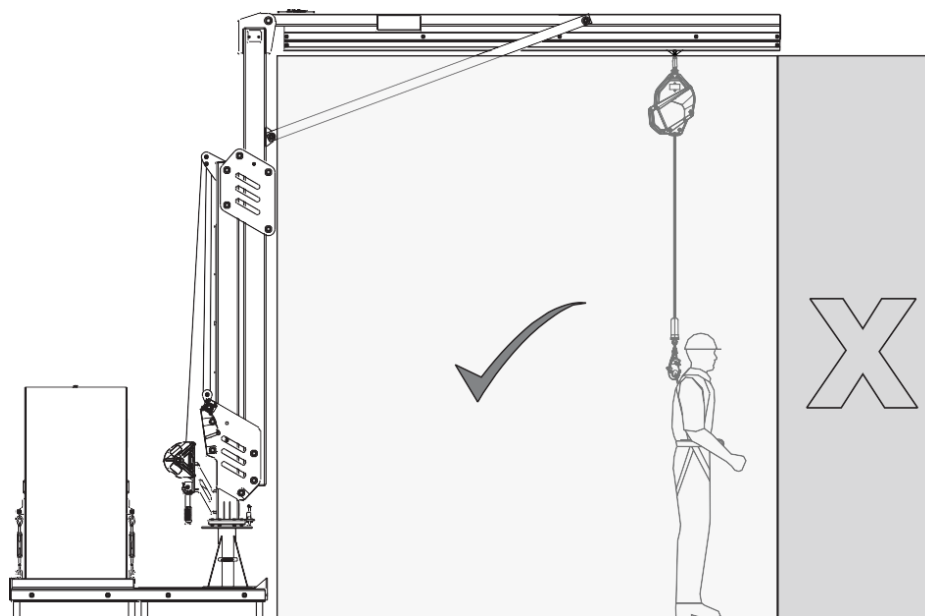
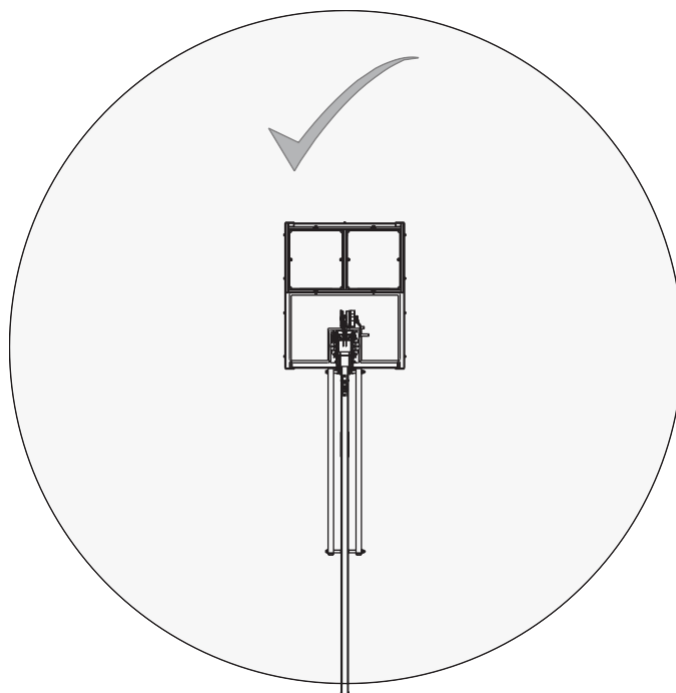
	X 4,000 psi (30 MPa)	Cerințe pentru Structura de Sprijin	Greutate
8530886		14,645 lb. (6,643 kg)	2,407 lb. (1,092 kg)
8530887	✓	+ Greutatea brațului pivotant M200	11,325 lb. (5,137 kg)

Listă de componente				
	Număr de piesă	Descriere	Material	Cantitate
1	9515107	Etichetă utilizator	Poliester	1
2	9514429	Etichetă de identificare	Poliester	1
3	9515106	Etichetă de avertizare	Poliester	1
4	8520575	Șurub de întindere	Oțel	2
5	9513627	Șurub #4	Oțel	4
6	9501794	Zăvor	Oțel	2
7	9515058	Bule de nivel	Plastic	2
8	9515566	Etichetă de avertizare	Poliester	4



APLICAȚIE:

Consultați diagrama de mai jos pentru zona de lucru a produsului.

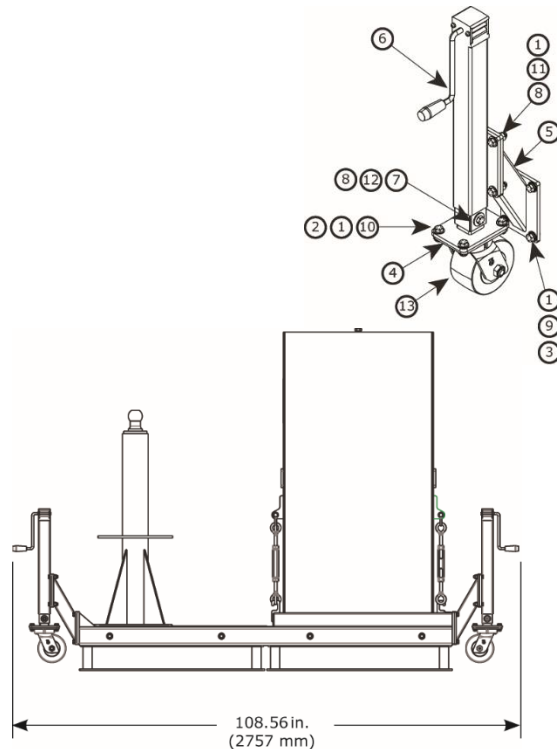


Accesorii pentru baza contragreutate M200

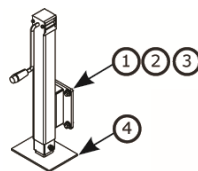
FIȘĂ TEHNICĂ: 8530907, 8530908, 8530777



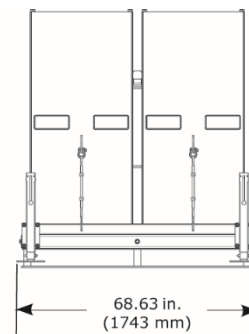
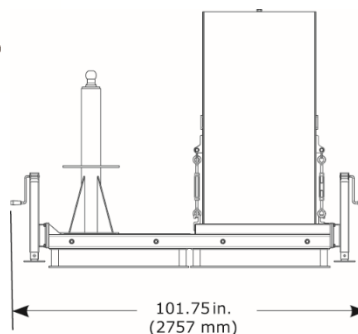
Listă de componente				
	Număr de piesă	Descriere	Material	Cantitate
1	8510037	Șaibă 1/2"	Oțel	80
2	8512460	Șurub 1/2" x 1 1/4"	Oțel	16
3	8518432	Șurub 1/2" x 1"	Oțel	16
4	8550153	Sudură roată	Oțel	4
5	8550155	Sudură în unghi	Oțel	4
6	8550156	Sudură montată	Oțel	4
7	9501243	Șaibă 1/2"	Oțel	8
8	9501831	Piuliță hexagonală 1/2"	Oțel	20
9	9504221	Șaibă 1/2"	Oțel	16
10	9504813	Piuliță hexagonală 1/2"	Oțel	16
11	9509276	Șurub 1/2" x 1 3/4"	Oțel	16
12	9510153	Șurub 1/2" x 3 1/4"	Oțel	4
13	9515081	Roată pivotantă	Oțel, Uretan	4



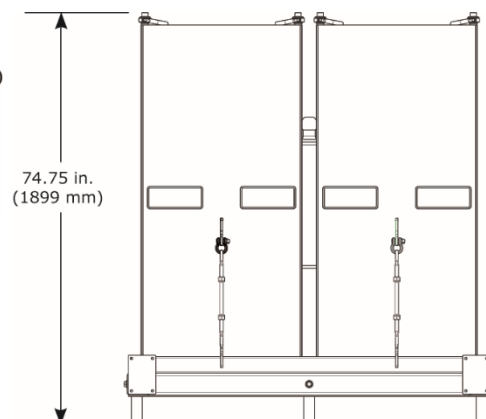
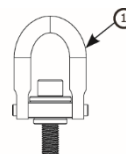
	8530907	8530908	8530777
Greutate	108 lb. (49 kg)	152 lb. (69 kg)	12 lb. (5.4 kg)



	Număr de piesă	Descriere	Material	Cantitate
1	9504221	Șaibă de blocare 1/2"	Oțel	16
2	8510037	Șaibă 1/2"	Oțel	16
3	8518432	Șurub 1/2" x 1"	Oțel	16
4	8550177	Sudură roată	Oțel	4





Listă de componente				
	Număr de piesă	Descriere	Material	Cantitate
1	9512574	Inel de ridicare	Oțel	4

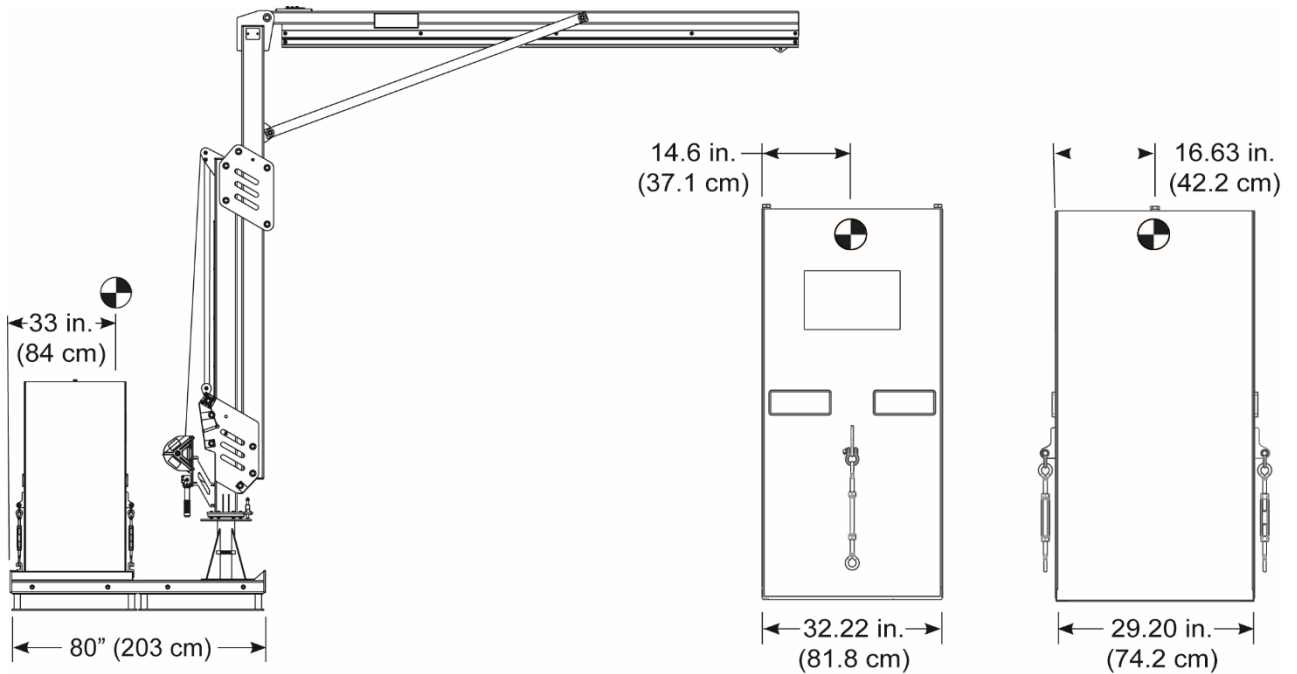



Centrul de greutate al bazei contragreutate M200
FIȘĂ TEHNICĂ: 8530886, 8530887




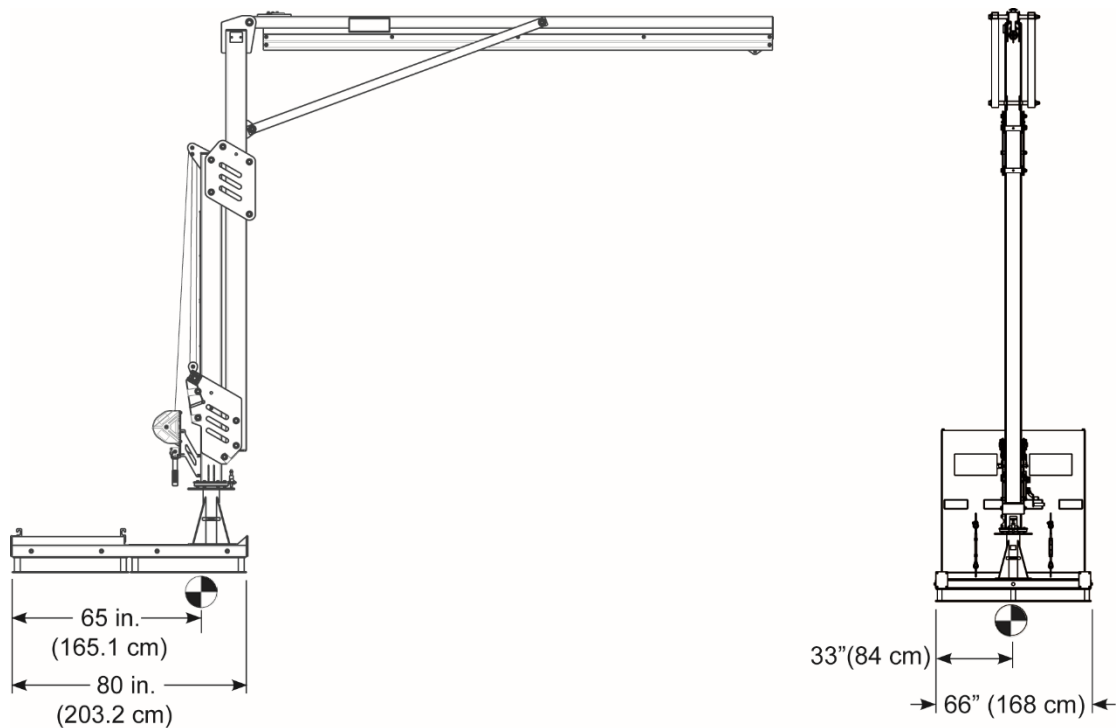
8530887	8530898
 .lb (kg)	12,668 lbs. (5,746 kg)

 .lb (kg)	5,000 lbs. (2,268 kg)
--	--------------------------



8530887	8530898
 .lb (kg)	2,668 lbs. (1,210 kg)

8530887	8530898
 .lb (kg)	12,668 lbs. (5,746 kg)



Baza de montare pe podea M200

FIȘĂ TEHNICĂ: 8530888



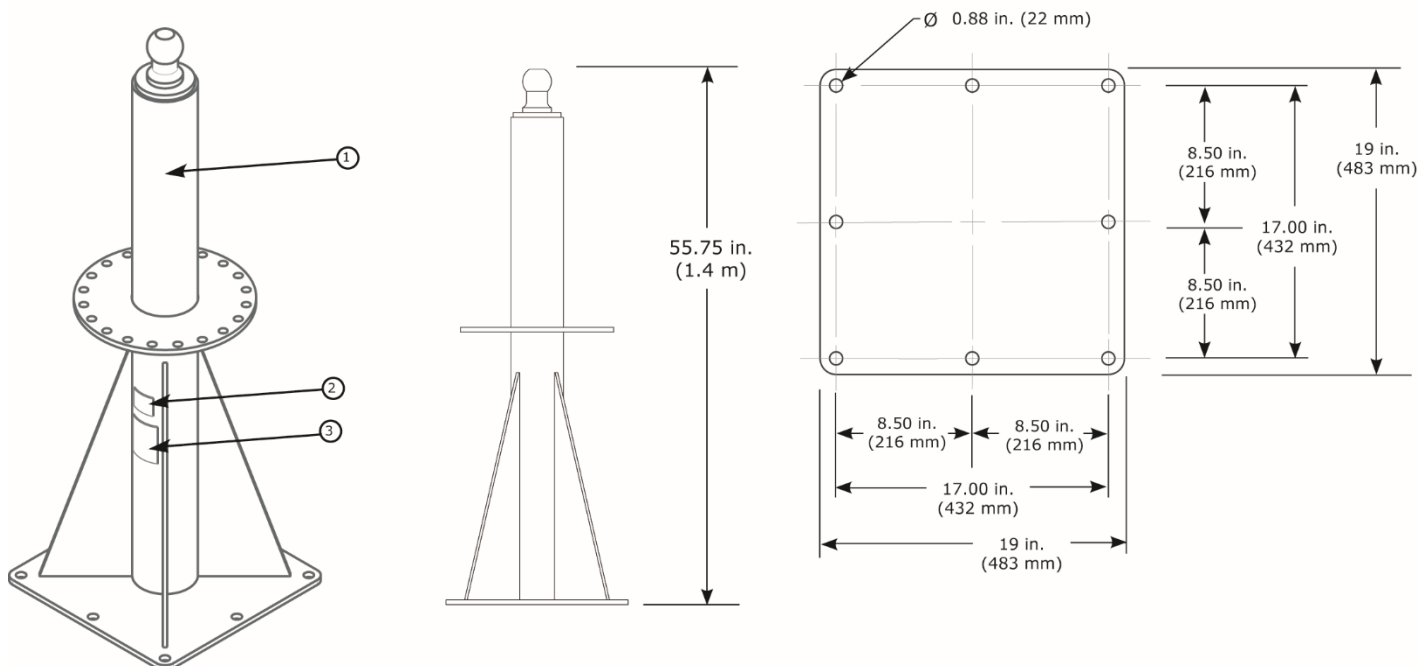
APLICAȚIE:

Baza davitului este concepută pentru a fi utilizată ca punct de montare pentru sistemul davit.

Pentru mai multe informații despre instalarea produsului, consultați instrucțiunile utilizatorului.

Standarde: CEN/TS 16415:2013 Tip A, EN795:2012 Tip A, OSHA 1910.140, OSHA 1926.502

	Greutate
8530888	265 lb. (120 kg)



Listă de componente				
	Număr de piesă	Descriere	Material	Cantitate
1	8549921	Sudură bază	Oțel	1
2	9514429	Etichetă de identificare	Poliester	1
3	9515114	Etichetă utilizator	Poliester	1

Cerințe de montare		
Forța minimă de extragere a elementelor de fixare	Încărcare minimă de moment a structurii de montare	Încărcare verticală minimă a structurii de montare
9,386 lb. (4,257 kg)	501,633 in-lb. (56,677 N-m)	3,320 lb. (1,506 kg) + Greutatea bazei + Greutatea brațului pivotant M200

Baza de montare la nivel M200

FIȘĂ TEHNICĂ: 8530889, 8530920, 8530921



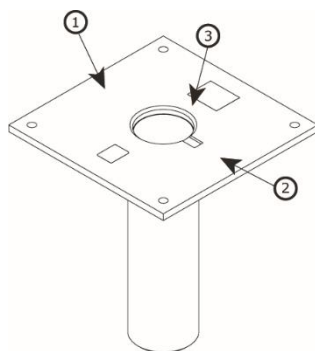
APLICAȚIE:

Baza davitului este concepută pentru a fi utilizată ca punct de montare pentru sistemul davit.

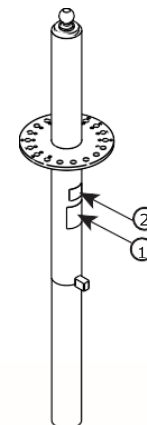
Pentru mai multe informații despre instalarea produsului, consultați instrucțiunile utilizatorului.

Standarde: CEN/TS 16415:2013, EN795:2012 Tip A, OSHA 1910.140, OSHA 1926.502

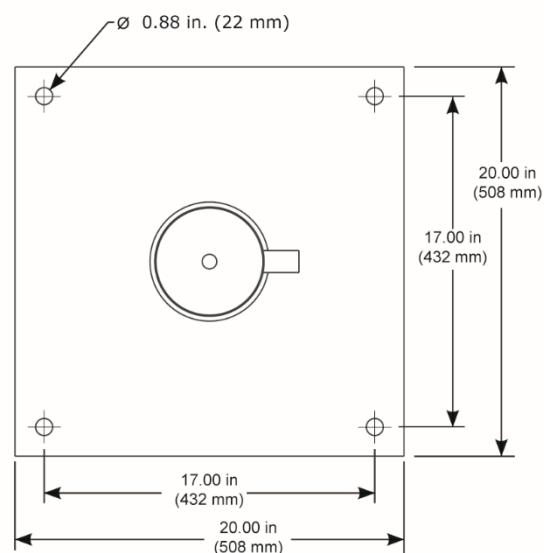
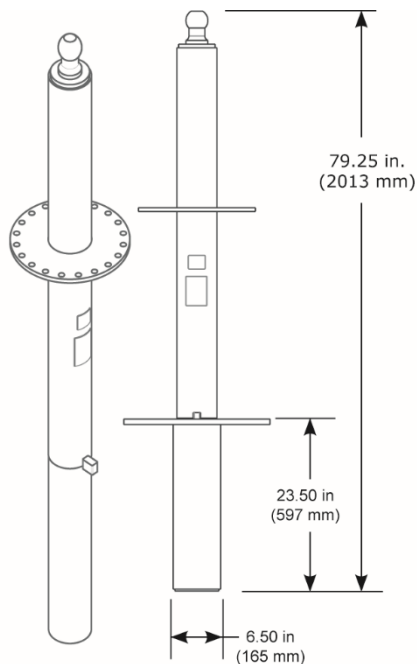
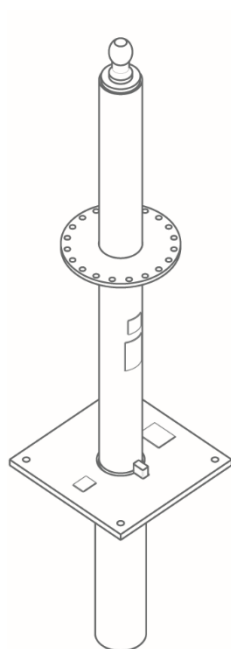
	Greutate
8530920	140 lb. (64 kg)



	Greutate
8530921	237 lb. (107 kg)



	Greutate
8530889	377 lb. (171 kg)

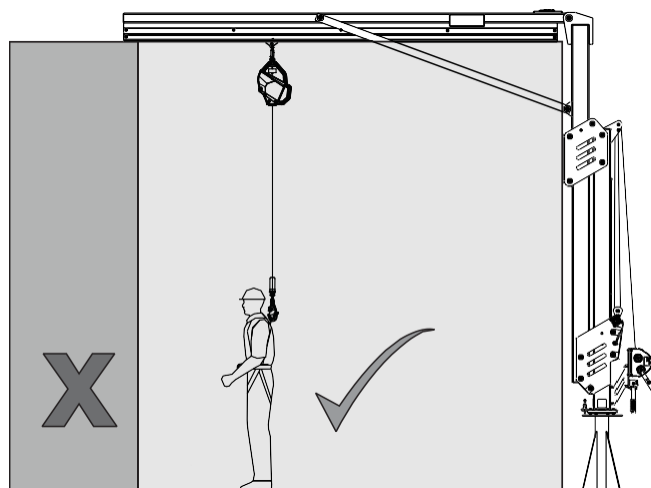
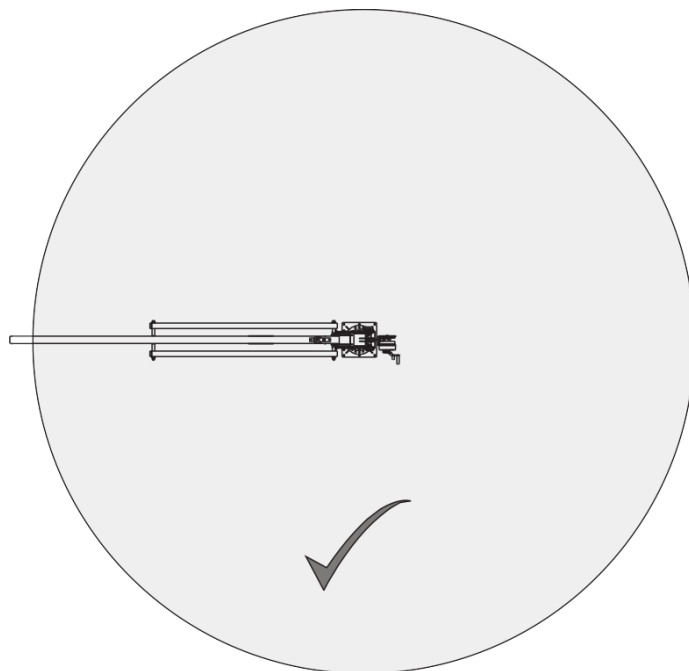


Listă de componente				
	Număr de piesă	Descriere	Material	Cantitate
1	9515114	Etichetă utilizator	Poliester	1
2	9514429	Etichetă de identificare	Poliester	1
3	8550165	Capac bază	Aluminiu, Cauciuc	1

Ceriințe de montare	
Încărcare minimă de moment a structurii de montare	Încărcare verticală minimă a structurii de montare
501,633 in-lb. (56,677 N-m)	3,320 lb. (1,506 kg) + Greutatea bazei + Greutatea brațului pivotant M200

APLICAȚIE:

Consultați diagrama de mai jos pentru zona de lucru a produsului.



Kit pentru Buzunarul Furcii

FIȘĂ TEHNICĂ: 8530912

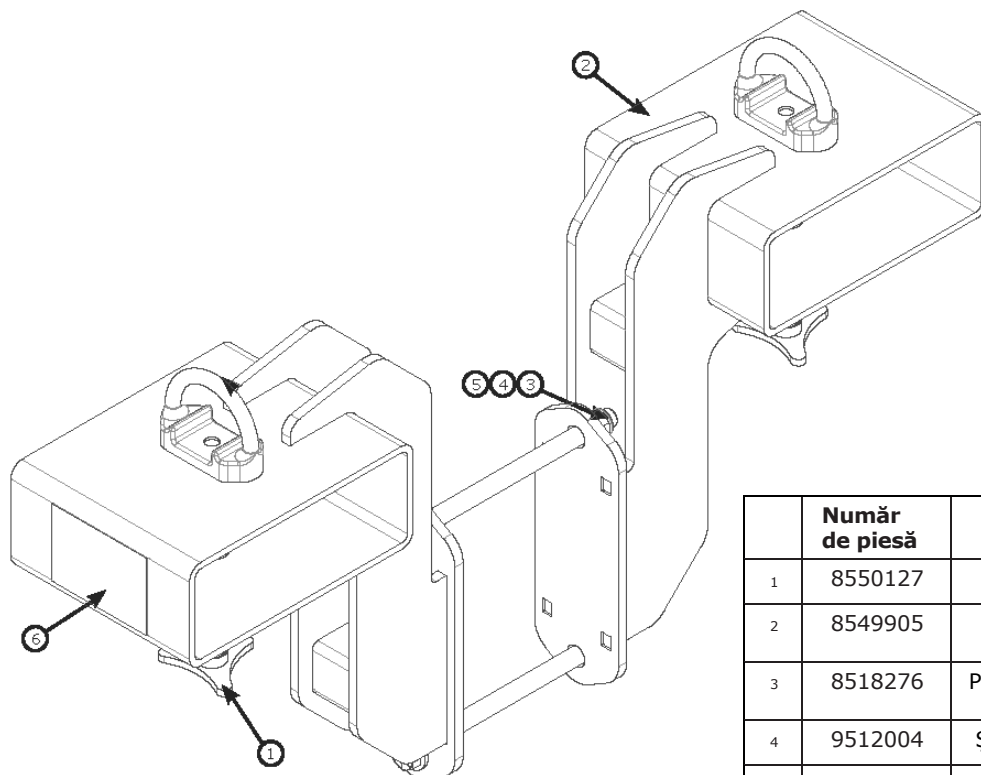
3M

DBI
SALA
Fall Protection

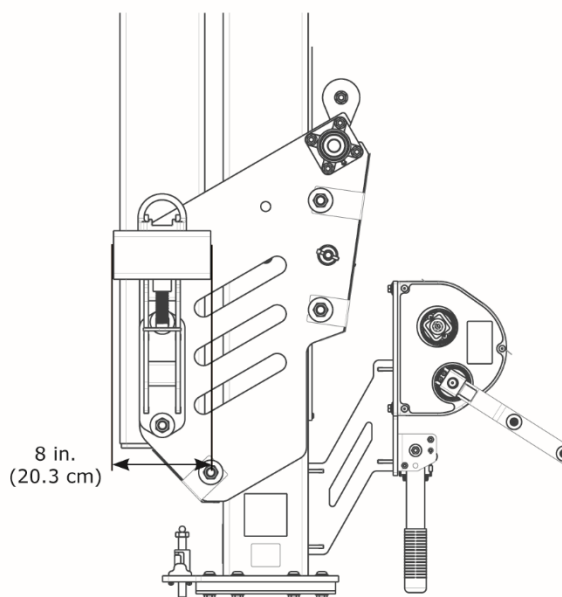
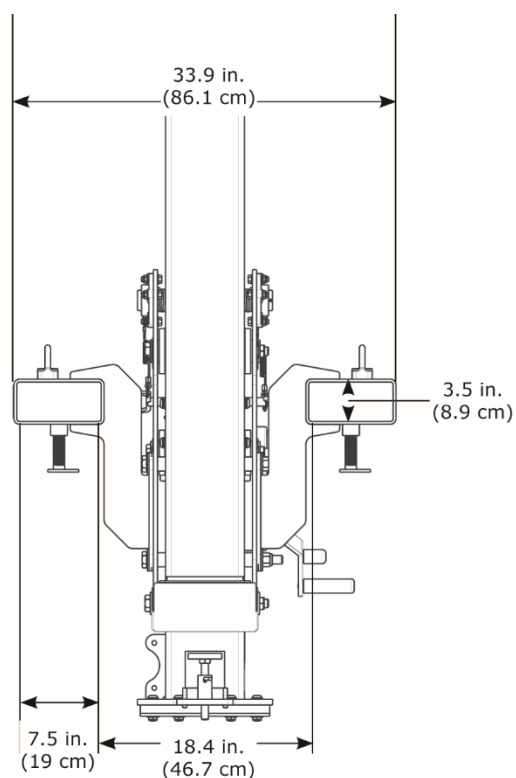
APLICAȚIE:

Acest model de kit pentru buzunarul furcii este conceput pentru a transporta modelele de macara cu troliu operate **8530891-8530898**.

Pentru mai multe informații despre instalarea componentelor, consultați instrucțiunile de utilizare.



	Număr de piesă	Componentă	Cantitate
1	8550127	Șurub Triplu	2
2	8549905	Sudură pentru Buzunarul Furcii	2
3	8518276	Piuliță Hexagonală de 3/4"	2
4	9512004	Șurub de 3/4" X 12"	2
5	M970033018	Șaibă de 3/4"	4
6	9515122	Etichetă Utilizator	1
	9500146	Zăvoare Lanț	2
	8517096	Lanț	10 ft.



Kit pentru Buzunarul Furcii

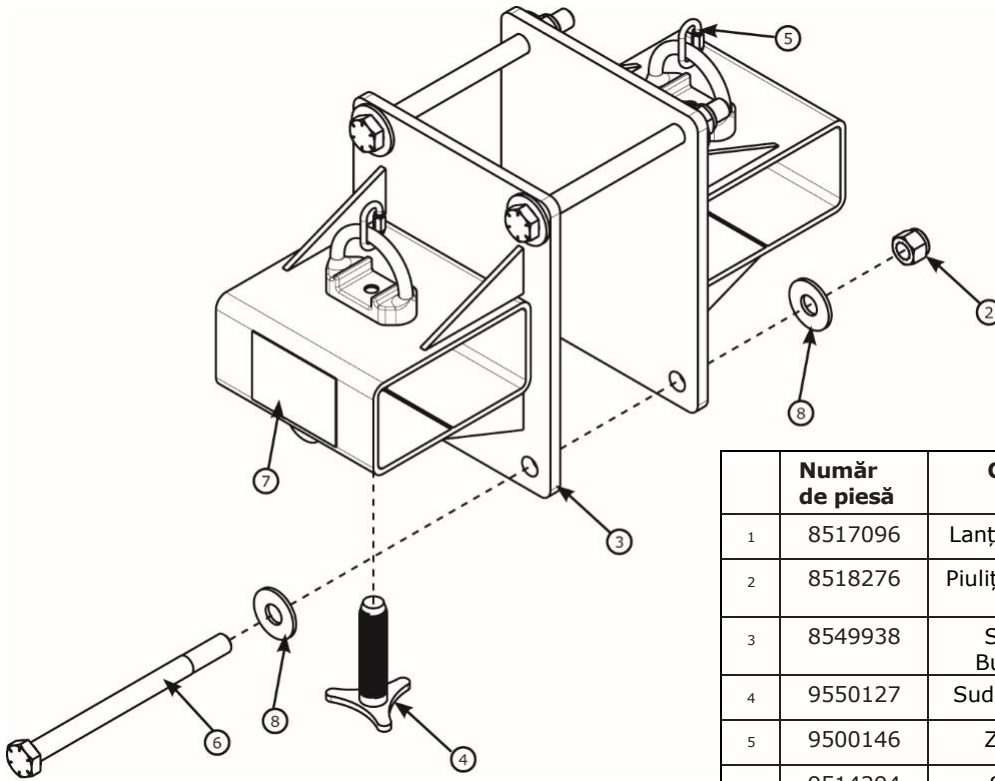
FIȘĂ TEHNICĂ: 8530925



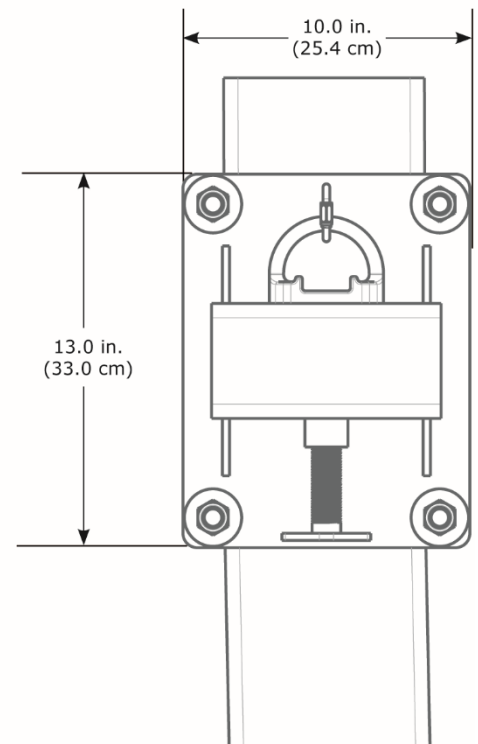
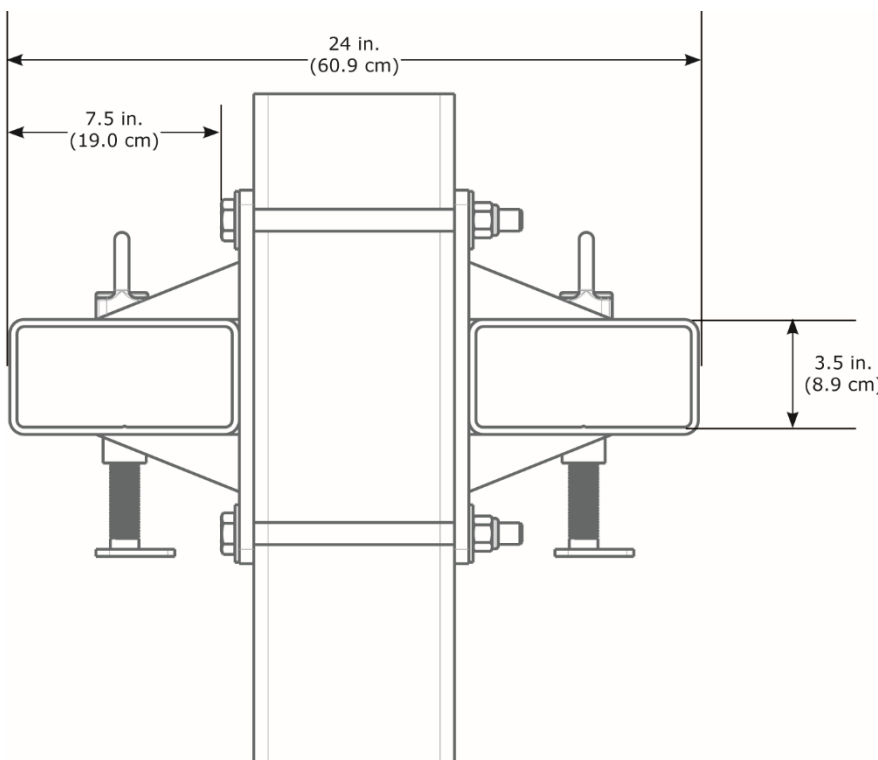
APLICAȚIE:

Acest model de kit pentru buzunarul furcii este conceput pentru a transporta macaraua cu canal de ajustare modelele **8530899-8530904**.

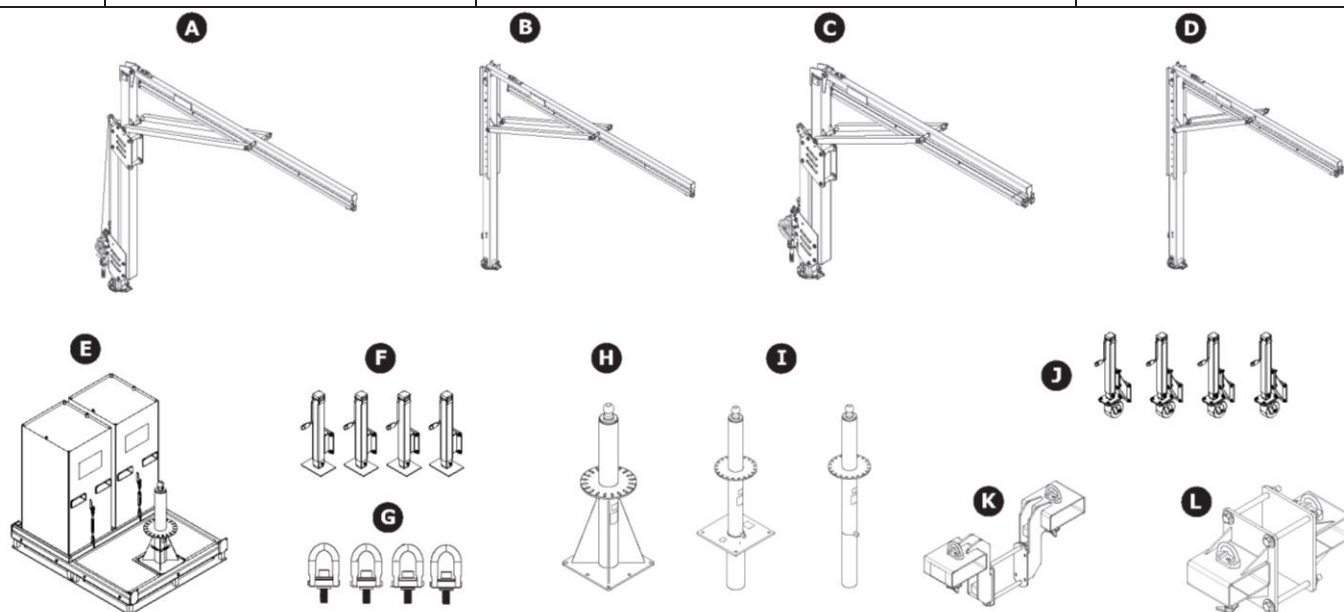
Pentru mai multe informații despre instalarea componentelor, consultați instrucțiunile de utilizare.



	Număr de piesă	Componentă	Cantitate
1	8517096	Lanț (nu este arătat)	10 ft.
2	8518276	Piuliță Hexagonală de 3/4"	4
3	8549938	Sudură pentru Buzunarul Furcii	2
4	9550127	Sudură Șurub Triplu	2
5	9500146	Zăvoare Rapid	2
6	9514294	Șurub cu Cap Hexagonal de 3/4"	4
7	9515573	Etichetă de Avertizare	1
8	M970033018	Șaibă de 3/4"	8



Výzva	Technický list	Popis	Strana
A	8530891	12,3 ft.–15 ft. (3,8 m–4,6 m) Nastaviteľný Davit	452
	8530892	14,8 ft.–20 ft. (4,5 m–6,1 m) Nastaviteľný Davit	452
	8530893	17,3 ft.–25 ft. (5,3 m–7,6 m) Nastaviteľný Davit	452
	8530894	19,8 ft.–30 ft. (6,1 m–9,1 m) Nastaviteľný Davit	452
B	8530899	15 ft.–20 ft. (4,6 m–6,1 m) Polopevný Davit	454
	8530900	20 ft.–25 ft. (6,1 m–7,6 m) Polopevný Davit	454
	8530901	25 ft.–30 ft. (7,6 m–9,1 m) Polopevný Davit	454
C	8530895	12,3 ft.–15 ft. (3,8 m–4,6 m) Nastaviteľný Davit	456
	8530896	14,8 ft.–20 ft. (4,5 m–6,1 m) Nastaviteľný Davit	456
	8530897	17,3 ft.–25 ft. (5,3 m–7,6 m) Nastaviteľný Davit	456
	8530898	19,8 ft.–30 ft. (6,1 m–9,1 m) Nastaviteľný Davit	456
D	8530902	15 ft.–20 ft. (4,6 m–6,1 m) Polopevný Davit	458
	8530903	20 ft.–25 ft. (6,1 m–7,6 m) Polopevný Davit	458
	8530904	25 ft.–30 ft. (7,6 m–9,1 m) Polopevný Davit	458
E	8530886	Nevyplnená základňa protizávažia	460
	8530887	Vyplnená základňa protizávažia	460
F	8530907	Zdviháky základne protizávažia	462
G	8530777	Zdvihacie krúžky základne protizávažia	462
H	8530888	Základňa na montáž na podlahu	464
I	8530889, 8530920, 8530921	Základňa na montáž do roviny	465
J	8530908	Kolesá základne protizávažia	462
K	8530912	Sada vidlicových vreciek	467
L	8530925	Sada vidlicových vreciek	468



Nastavitelný Davit

TECHNICKÝ LIST: 8530891–8530894

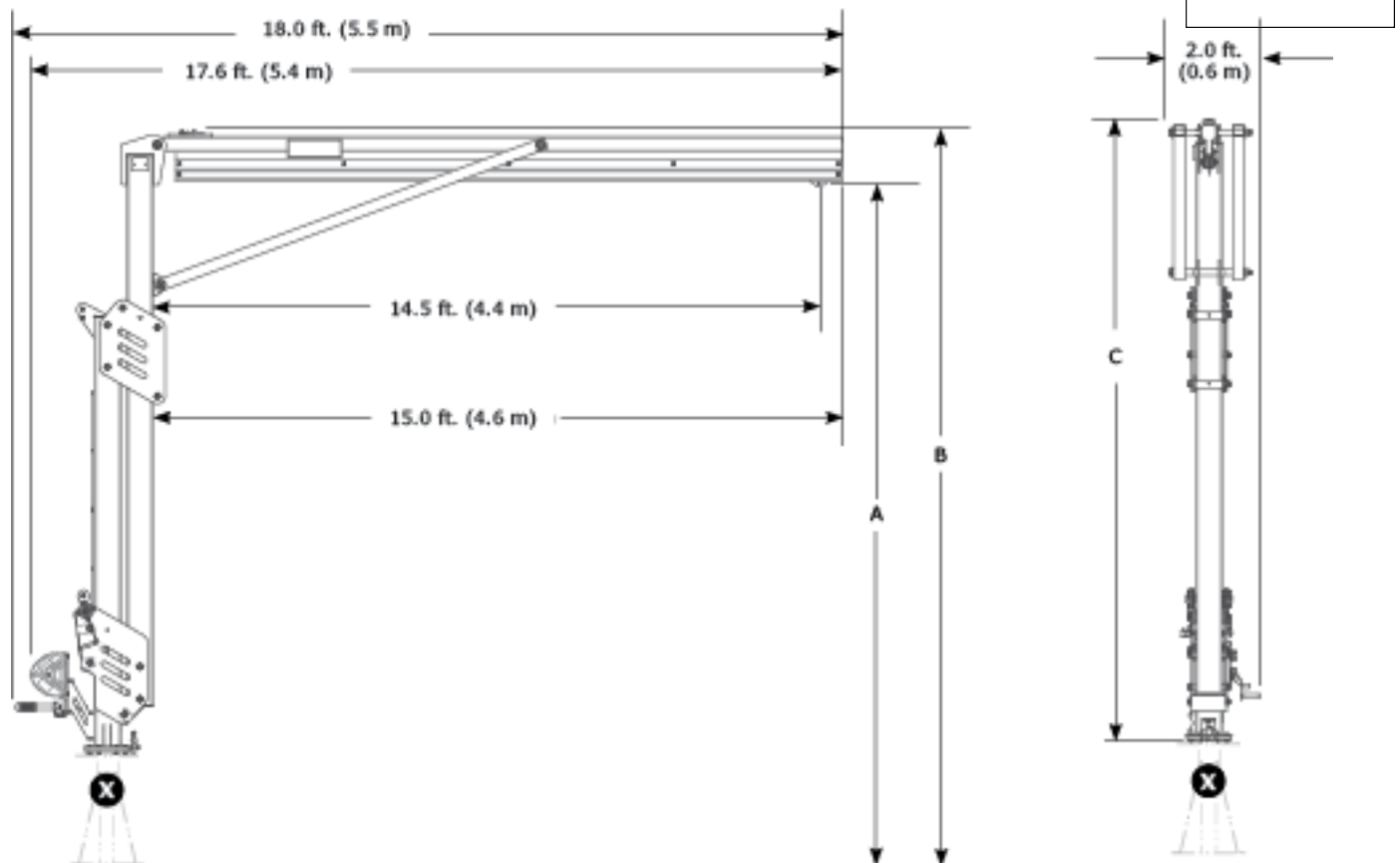


APLIKÁCIA:

Davit je navrhnutý tak, aby poskytoval kotviace body pre systém ochrany proti pádu.

Pre viac informácií o inštalácii produktu si pozrite používateľské pokyny.

Normy: EN795:2012 Typ E, OSHA 1910.140, OSHA 1926.502



	A	B	C	lb. (kg)
8530891	12.3 ft. – 15.0 ft. (3.8 m – 4.6 m)	13.4 ft. – 16.1 ft. (4.1 m – 4.9 m)	9.8 ft. – 14.8 ft. (3.0 m – 4.5 ft.)	945 lb. (429 kg)
8530892	14.8 ft. – 20.0 ft. (4.5 m – 6.1 m)	15.9 ft. – 21.1 ft. (4.8 m – 6.4 m)	13.5 ft. – 18.7 ft. (4.1 m – 5.7 m)	1,057 lb. (479 kg)
8530893	17.3 ft. – 25.0 ft. (5.3 m – 7.6 m)	18.4 ft. – 26.1 ft. (5.6 m – 8.0 m)	16.0 – 23.7 ft. (4.9 m – 7.2 m)	1,169 lb. (530 kg)
8530894	19.8 ft. – 30.0 ft. (6.0 m – 9.1 m)	20.9 ft. – 31.1 ft. (6.4 m – 9.5 m)	18.5 ft. – 28.7 ft. (5.6 m – 8.7 m)	1,281 lb. (581 kg)

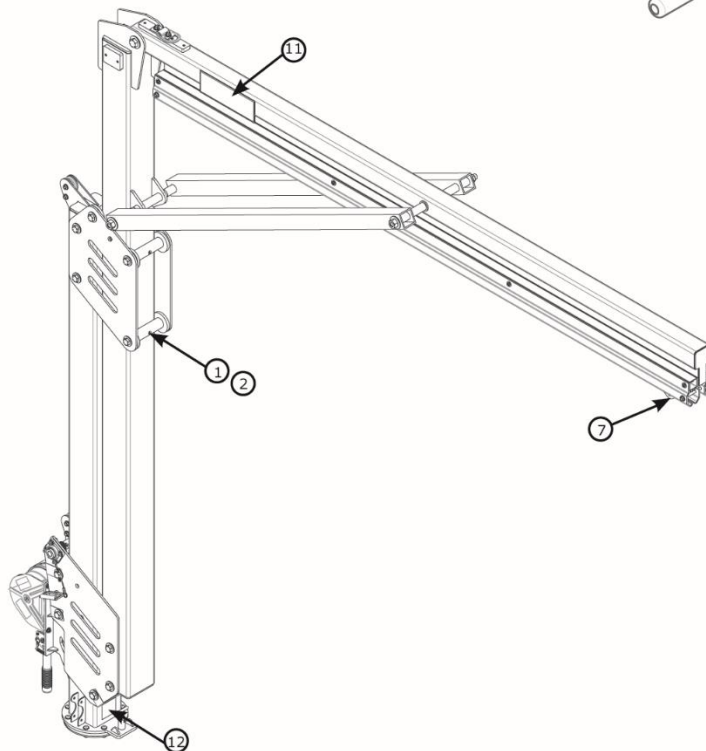
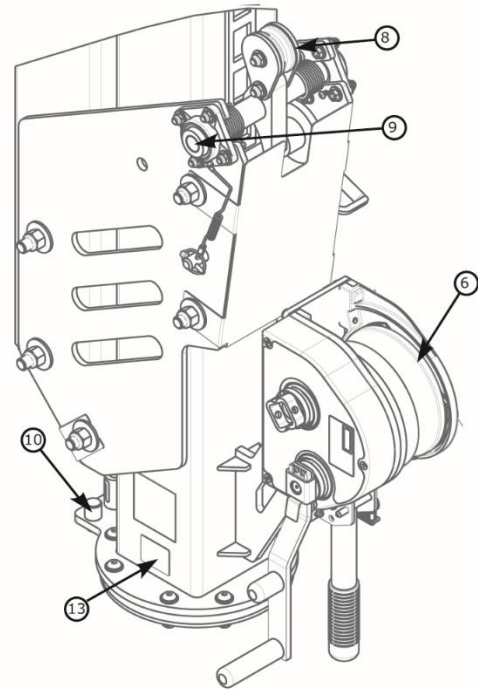
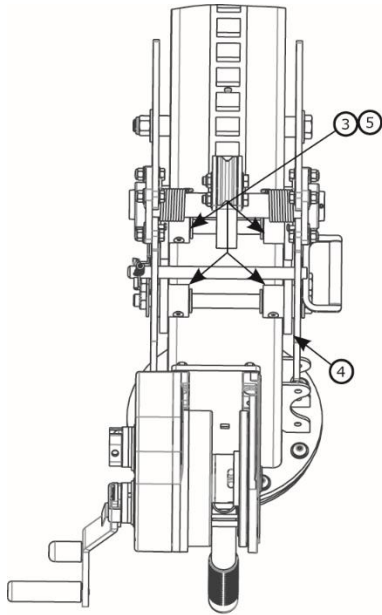
Komponenty nastaviteľného Davitu

TECHNICKÝ LIST: 8530891-8530894

3M

DBI SALA®

Fall Protection



Zoznam komponentov				
	Číslo dielu	Popis	Materiál	Množstvo
1	8550046	Široký valec	Nylon	3
2	8550047	Dištančný krúžok širokého valca	304 nerezová oceľ	3
3	8550327	Úzky valec	Nylon	2
4	9514703	Bočný valec	Nylon	8
5	8550213	Dištančný krúžok úzkeho valca	304 nerezová oceľ	2
6	8549930	Navijak	Oceľ	1
7	8521711	Vozík	Oceľ, Nylon	1

Zoznam komponentov				
	Číslo dielu	Popis	Materiál	Množstvo
8	8550223	Uzamykací mechanizmus (len autorizovaná oprava)	Oceľ, Nylon	1
9	9515138	Ložiská	Oceľ	2
10	8550398	Zarážka rotácie	Hliník	2
11	9515111	3M Štítok	Polyester	2
12	9515101	Štítok rotácie	Polyester	1
13	9514429	ID Štítok	Polyester	1
14	9515112	Používateľský štítok	Polyester	1

Polopevný Davit

TECHNICKÝ LIST: 8530899–8530901




APLIKÁCIA:


Davit je navrhnutý tak, aby poskytoval kotviace body pre systém ochrany proti pádu.

Pre viac informácií o inštalácii produktu si pozrite používateľské pokyny.

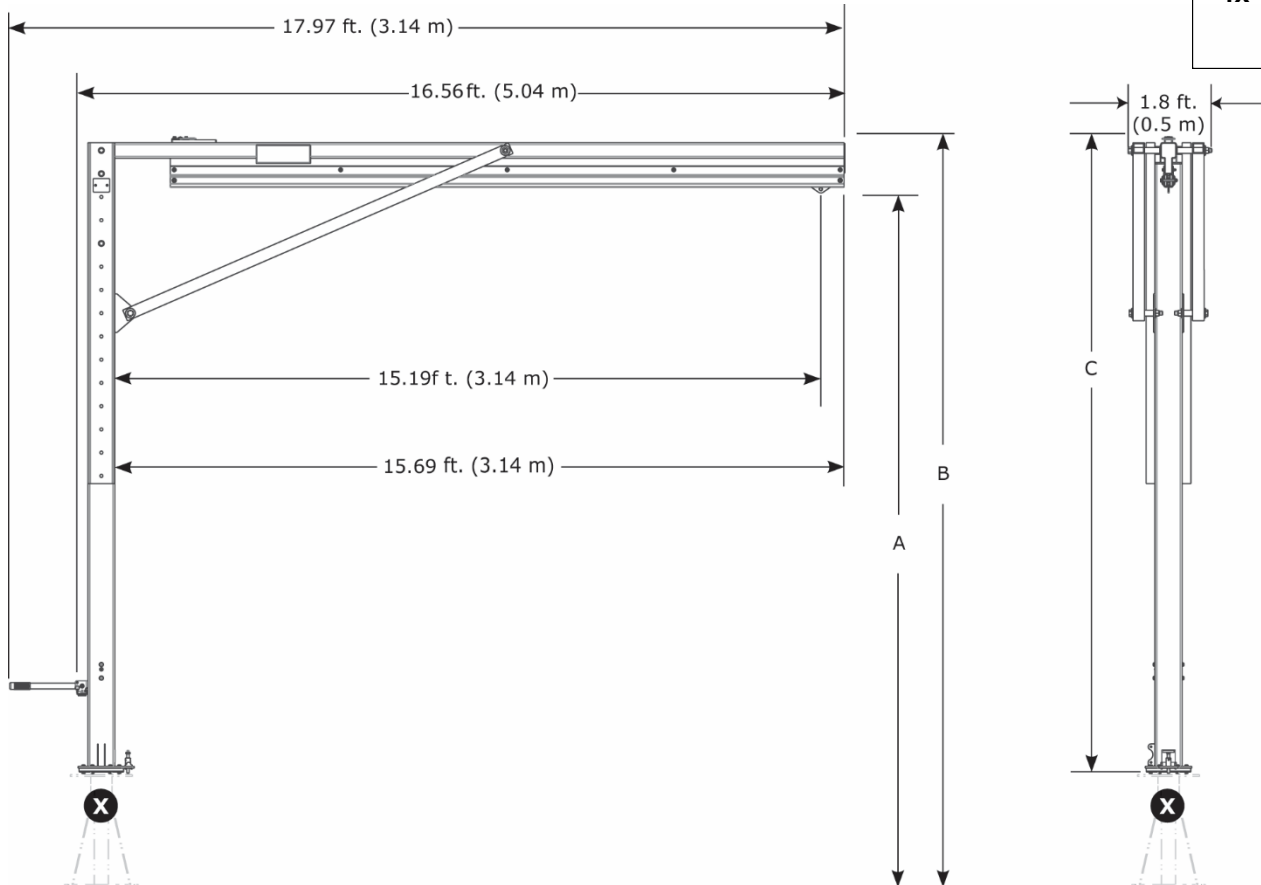
Normy: EN795:2012 Typ E, OSHA 1910.140, OSHA 1926.502



≤ 1350 lb.
(6 kN)



1x ≤ 310 lb.
(140 kg)



	A	B	C	lb. (kg)
8530899	15.0 ft. – 20.0 ft. (4.6 m – 6.1 m)	16.1 ft. – 21.1 ft. (4.9 m – 6.4 m)	13.7 ft. – 18.7 ft. (4.2 m – 5.7 m)	818 lb. (371 kg)
8530900	20.0 ft. – 25.0 ft. (6.1 m – 7.6 m)	21.1 ft. – 26.1 ft. (6.4 m – 7.9 m)	18.7 ft. – 23.7 ft. (5.7 m – 7.2 m)	930 lb. (422 kg)
8530901	25.0 ft. – 30.0 ft. (7.6 m – 9.1 m)	26.1 ft. – 31.1 ft. (7.9 m – 9.6 m)	23.7 ft. – 28.7 ft. (7.2 m – 8.7 m)	1,041 lb. (472 kg)
+6" (152 mm) nastavovacie prírastky				

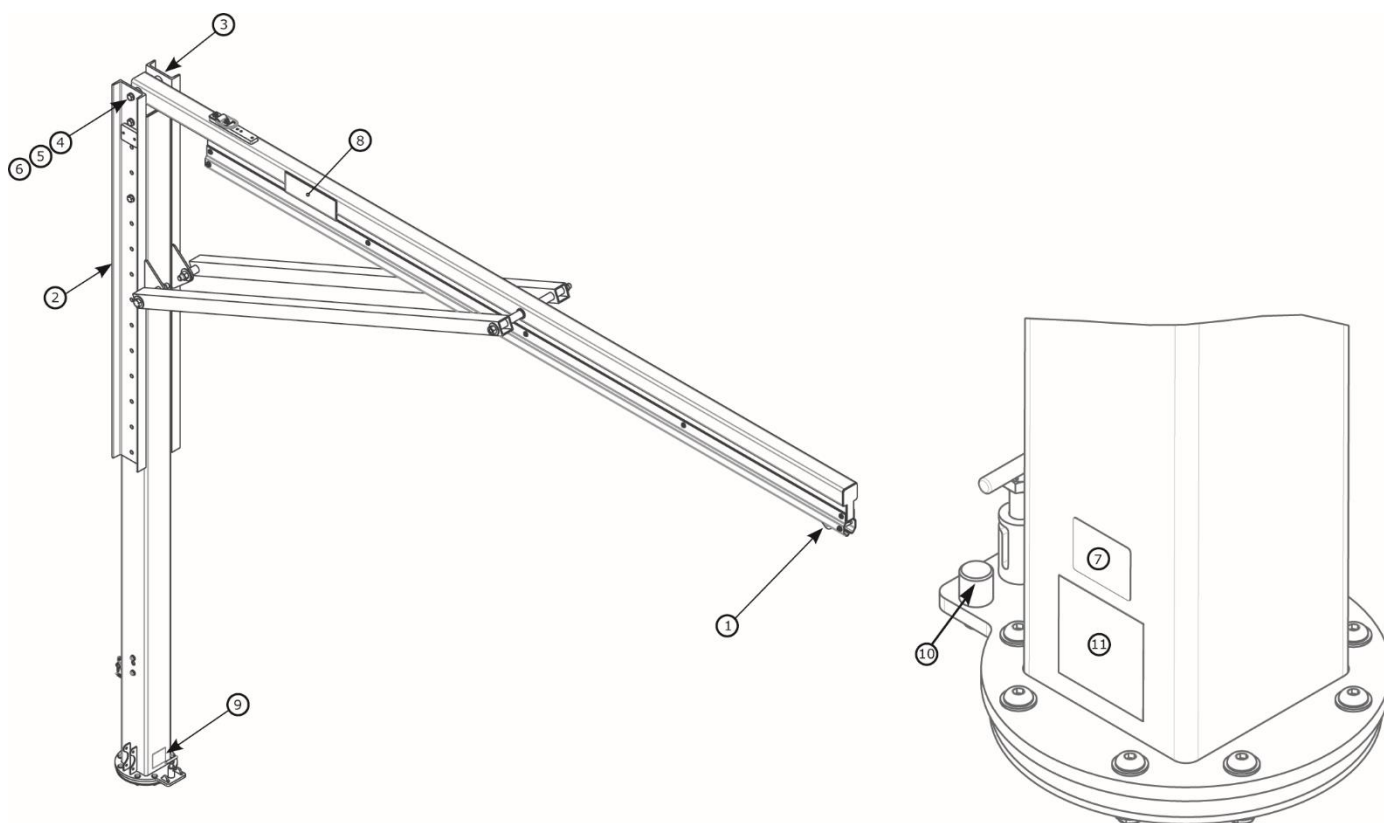
Komponenty polopevného Davitu

TECHNICKÝ LIST: 8530899-8530901

3M

DBI
SALA

Fall Protection



	Číslo dielu	Popis	Materiál	Množstvo
1	8521711	Vozík	Nerezová oceľ, oceľ, nylon	1
2	8549933	Záchraný montážny kanál	Oceľ	1
3	8550248	Kanál	Oceľ	1
4	8526654	Skrutka 3/4" x 9"	Oceľ	2
5	8522275	Podložka 3/4"	Oceľ	4
6	8518276	Matica 3/4"	Oceľ	2
7	9514429	ID štítok	Polyester	1

	Číslo dielu	Popis	Materiál	Množstvo
"	9515111	3M štítok	Polyester	2
"	9515101	Štítok rotácie	Polyester	1
"	8550398	Zarážka rotácie	Hliník	2
"	9515112	Používateľský štítok	Polyester	1

Nastavitelný Davit

TECHNICKÝ LIST: 8530895–8530898

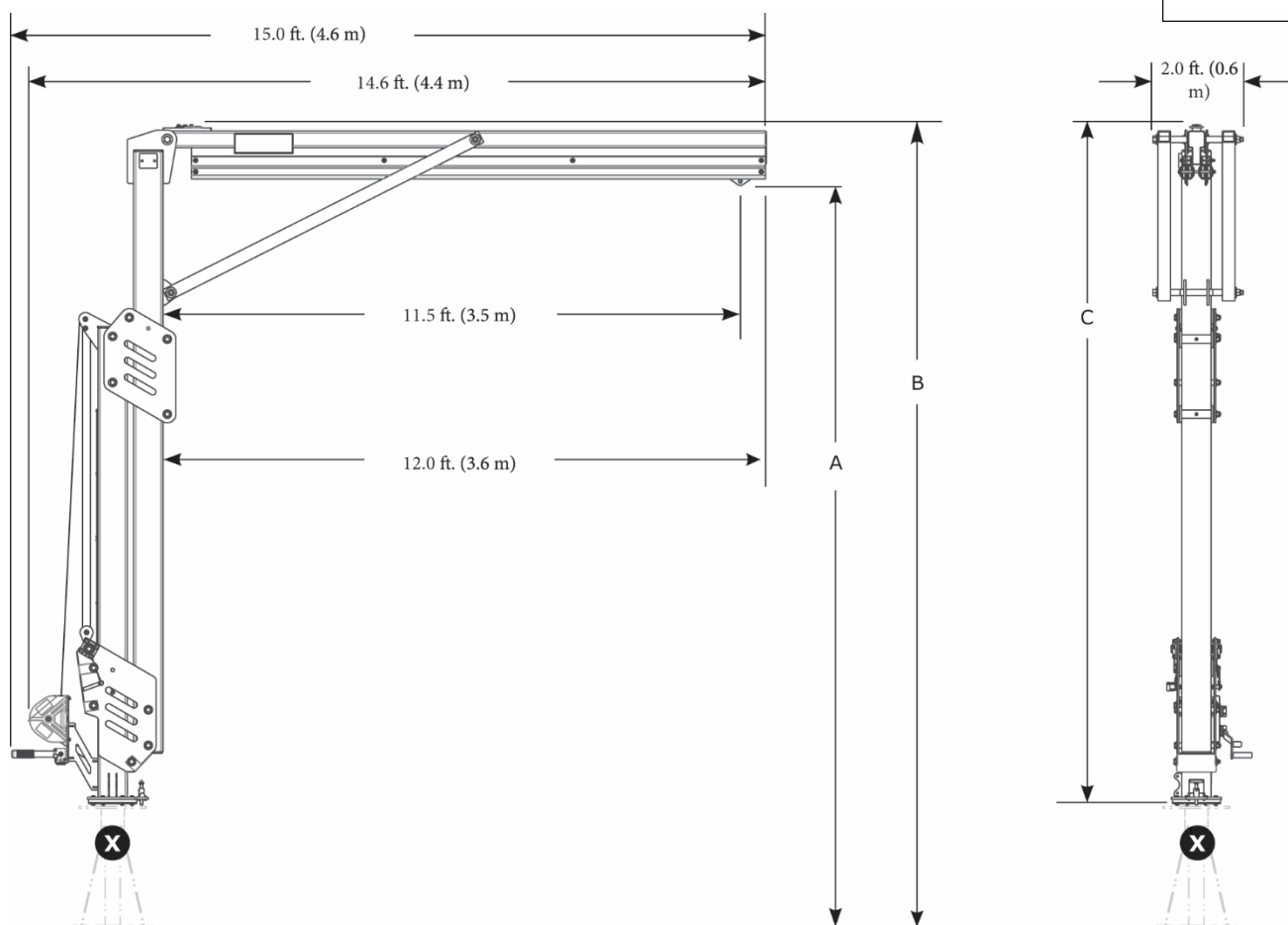
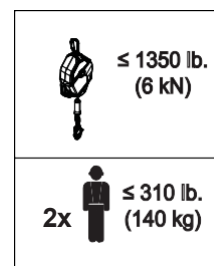


APLIKÁCIA:

Davit je navrhnutý tak, aby poskytoval kotviace body pre systém ochrany proti pádu.

Pre viac informácií o inštalácii produktu si pozrite používateľské pokyny.

Normy: CEN/TS 16415:2013 Typ E, EN795:2012 Typ E, OSHA 1910.140, OSHA 1926.502



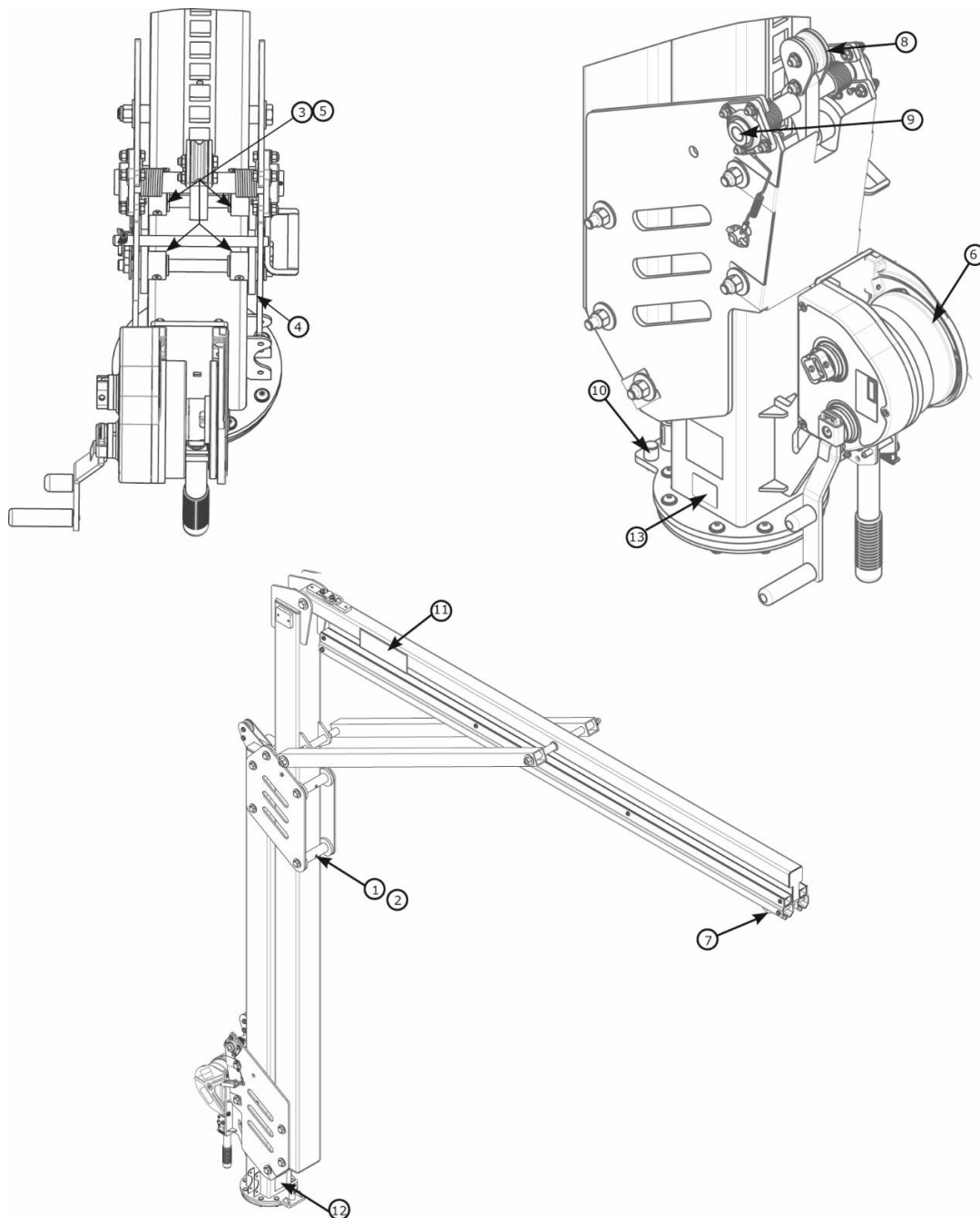
	A	B	C	lb. (kg)
8530895	12.3 ft. – 15.0 ft. (3.8 m – 4.6 m)	13.4 ft. – 16.1 ft. (4.1 m – 4.9 m)	11.0 ft. – 13.7 ft. (3.4 m – 4.2 ft.)	1,011 lb. (459 kg)
8530896	14.8 ft. – 20.0 ft. (4.5 m – 6.1 m)	15.9 ft. – 21.1 ft. (4.8 m – 6.4 m)	13.5 ft. – 18.7 ft. (4.1 m – 5.7 m)	1,123 lb. (509 kg)
8530897	17.3 ft. – 25.0 ft. (5.3 m – 7.6 m)	18.4 ft. – 26.1 ft. (5.6 m – 8.0 m)	16.0 – 23.7 ft. (4.9 m – 7.2 m)	1,235 lb. (560 kg)
8530898	19.8 ft. – 30.0 ft. (6.0 m – 9.1 m)	20.9 ft. – 31.1 ft. (6.4 m – 9.5 m)	18.5 ft. – 28.7 ft. (5.6 m – 8.7 m)	1,343 lb. (609 kg)

Komponenty nastaviteľného Davitu

TECHNICKÝ LIST: 8530895–8530898

3M

DBI
SALA
Fall Protection



Zoznam komponentov				
	Číslo dielu	Popis	Materiál	Množstvo
1	8550046	Široký valec	Nylon	3
2	8550047	Dištančný krúžok širokého valca	304 nerezová oceľ	3
3	8550327	Úzky valec	Nylon	2
4	9514703	Bočný valec	Nylon	8
5	8550213	Dištančný krúžok úzkeho valca	304 nerezová oceľ	2
6	8549930	Navijak	Oceľ	1
7	8521711	Vozík	Oceľ, Nylon	1

Zoznam komponentov				
	Číslo dielu	Popis	Materiál	Množstvo
8	8550223	Uzamykací mechanizmus (len autorizovaná oprava)	Oceľ, Nylon	1
9	9515138	Ložiská	Oceľ	2
10	8550398	Zarážka rotácie	Hliník	2
11	9515111	3M Štítok	Polyester	2
12	9515101	Štítok rotácie	Polyester	1
13	9514429	ID Štítok	Polyester	1
14	9515112	Používateľský štítok	Polyester	1

Polopevný Davit

TECHNICKÝ LIST: 8530902–8530904

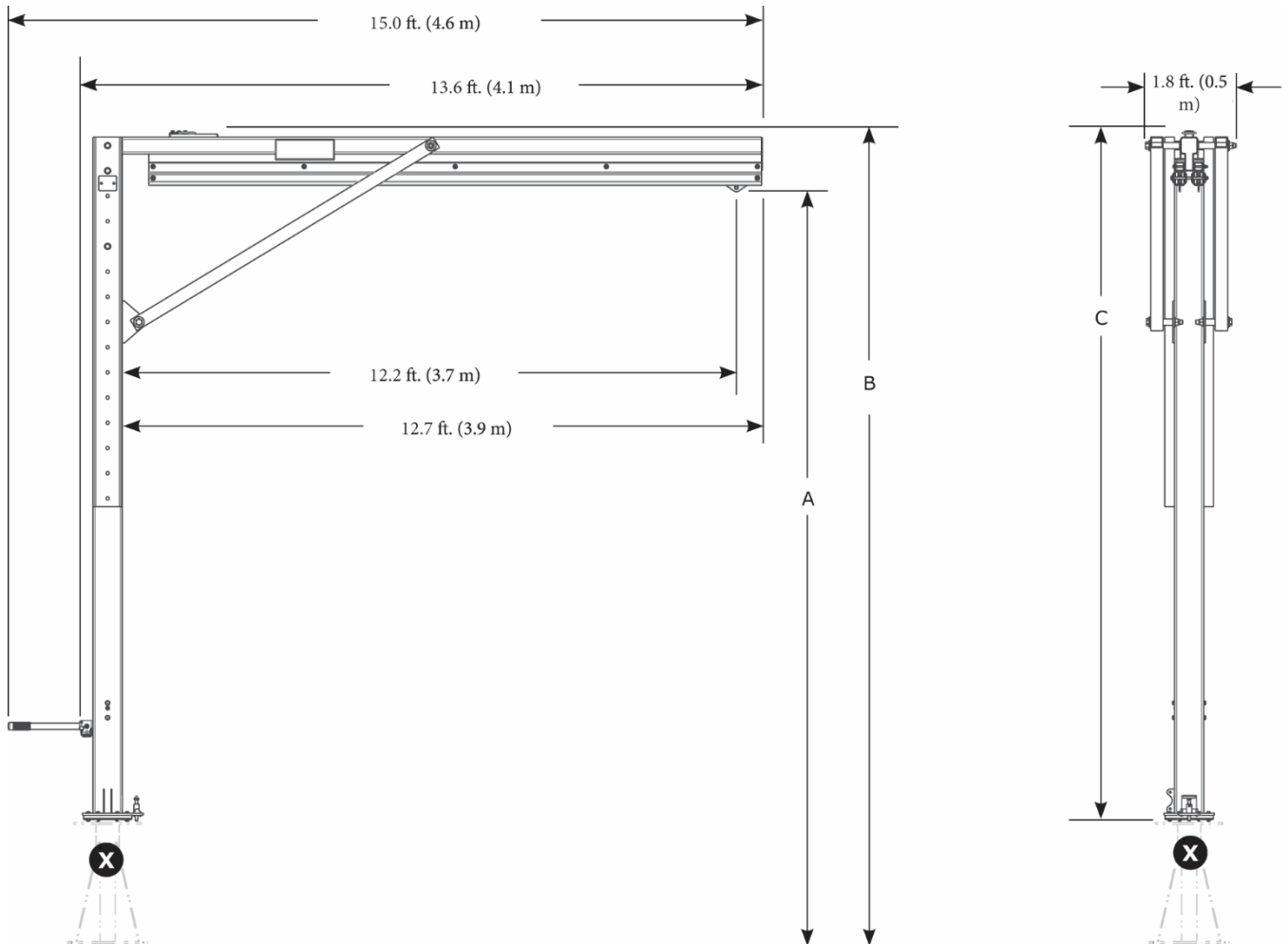
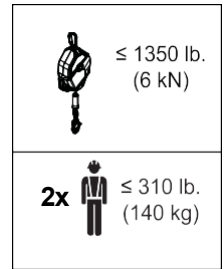


APLIKÁCIA:

Davit je navrhnutý tak, aby poskytoval kotviace body pre systém ochrany proti pádu.

Pre viac informácií o inštalácii produktu si pozrite používateľské pokyny.

Normy: CEN/TS 16415:2013 Typ E, EN795:2012 Typ E, OSHA 1910.140, OSHA 1926.502



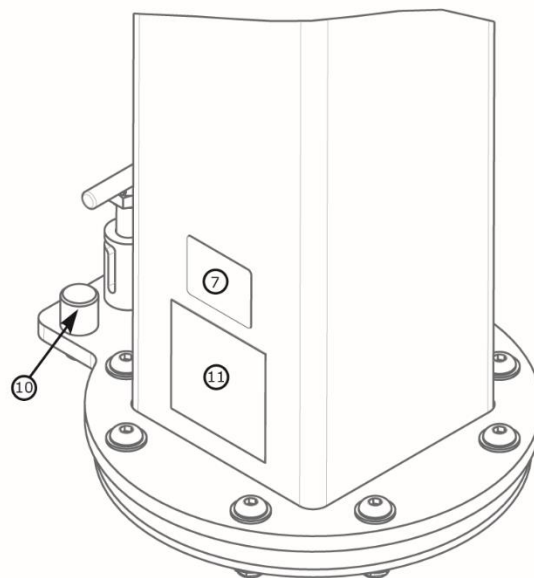
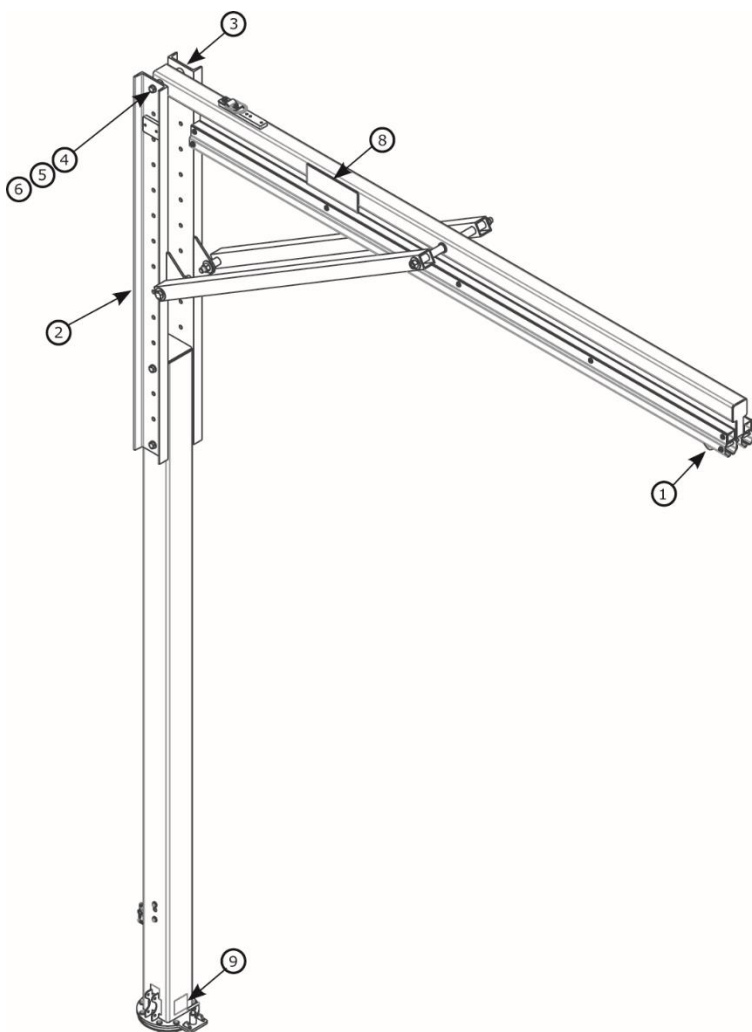
	A	B	C	lb. (kg)
8530902	15.0 ft. – 20.0 ft. (4.6 m – 6.1 m)	16.1 ft. – 21.1 ft. (4.9 m – 6.4 m)	13.7 ft. – 18.7 ft. (4.2 m – 5.7 m)	850 lb. (386 kg)
8530903	20.0 ft. – 25.0 ft. (6.1 m – 7.6 m)	21.1 ft. – 26.1 ft. (6.4 m – 7.9 m)	18.7 ft. – 23.7 ft. (5.7 m – 7.2 m)	961 lb. (436 kg)
8530904	25.0 ft. – 30.0 ft. (7.6 m – 9.1 m)	26.1 ft. – 31.1 ft. (7.9 m – 9.6 m)	23.7 ft. – 28.7 ft. (7.2 m – 8.7 m)	1,073 lb. (487 kg)

Komponenty polopevného Davitu

TECHNICKÝ LIST: 8530902-8530904

3M

**DBI
SALA®**
Fall Protection



	Číslo dielu	Popis	Materiál	Množstvo
1	8521711	Vozík	Nerezová oceľ, oceľ, nylon	1
2	8549933	Záchranný montážny kanál	Oceľ	1
3	8550248	Kanál	Oceľ	1
4	8526654	Skrutka 3/4" x 9"	Oceľ	2
5	8522275	Podložka 3/4"	Oceľ	4
6	8518276	Matica 3/4"	Oceľ	2
7	9514429	ID štítok	Polyester	1

	Číslo dielu	Popis	Materiál	Množstvo
8	9515111	3M štítok	Polyester	2
9	9515101	Štítok rotácie	Polyester	1
10	8550398	Zarážka rotácie	Hliník	2
11	9515112	Používateľský štítok	Polyester	1

Základňa protizávažia M200

TECHNICKÝ LIST: 8530886, 8530887



APLIKÁCIA:

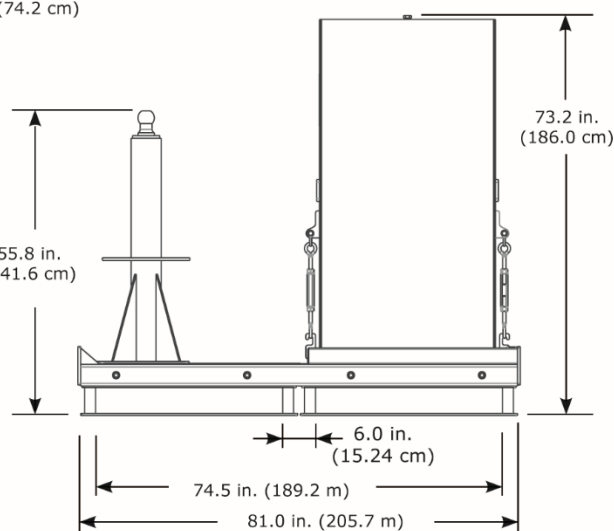
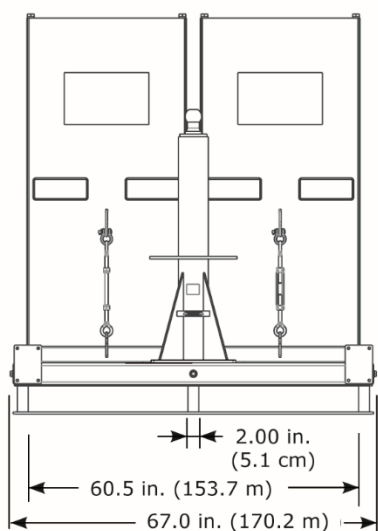
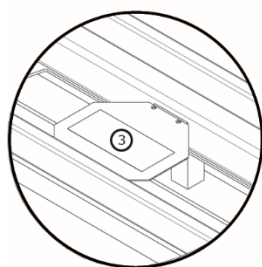
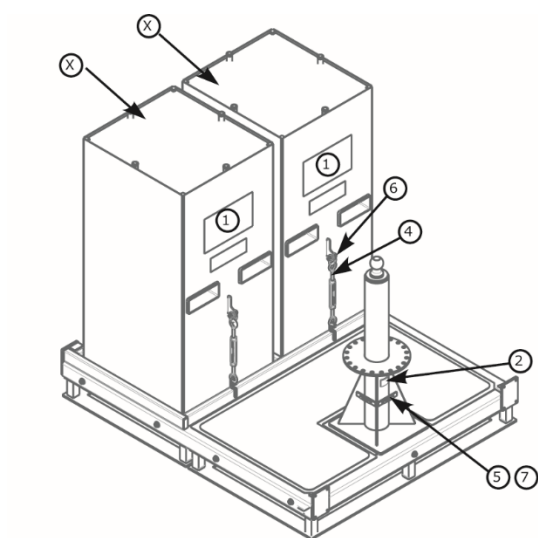
Základňa davitu je navrhnutá tak, aby slúžila ako montážny bod pre systém davitu.

Pre viac informácií o inštalácii produktu si pozrite používateľské pokyny.

Normy: CEN/TS 16415:2013 Typ E, EN795:2012 Typ E, OSHA 1910.140, OSHA 1926.502

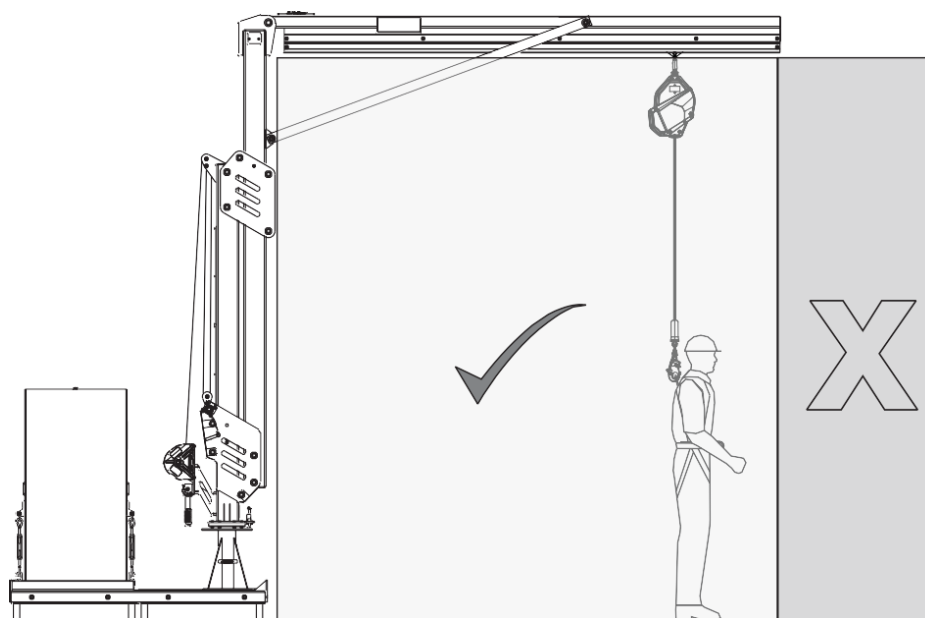
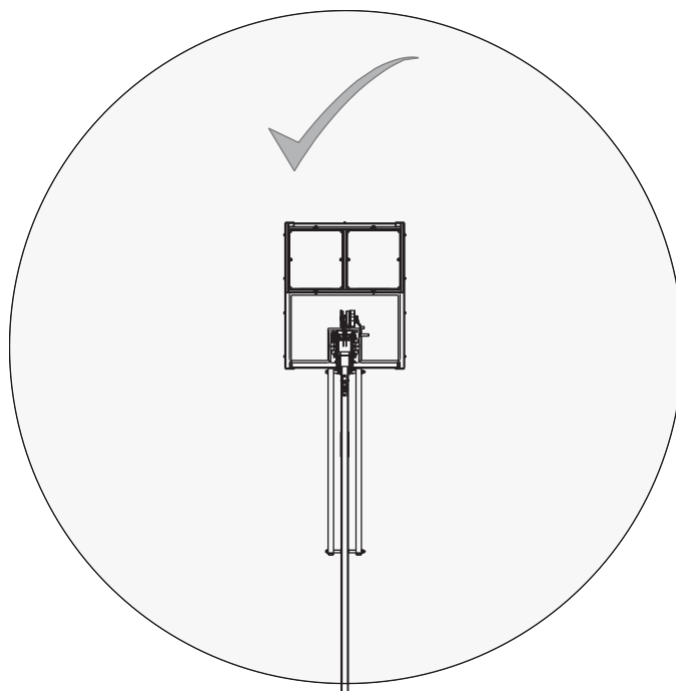
	X 4,000 psi (30 MPa)	Požiadavky na podpornú štruktúru	Hmotnosť
8530886		14,645 lb. (6,643 kg)	2,407 lb. (1,092 kg)
8530887	✓	+ Hmotnosť výložníka M200	11,325 lb. (5,137 kg)

Zoznam komponentov				
	Číslo dielu	Popis	Materiál	Množstvo
1	9515107	Používateľský štítok	Polyester	1
2	9514429	ID štítok	Polyester	1
3	9515106	Varovný štítok	Polyester	1
4	8520575	Napínacia skrutka	Oceľ	2
5	9513627	Skrutka #4	Oceľ	4
6	9501794	Strmeň	Oceľ	2
7	9515058	Vodovážna bublina	Plast	2
8	9515566	Varovný štítok	Polyester	4



APLIKÁCIA:

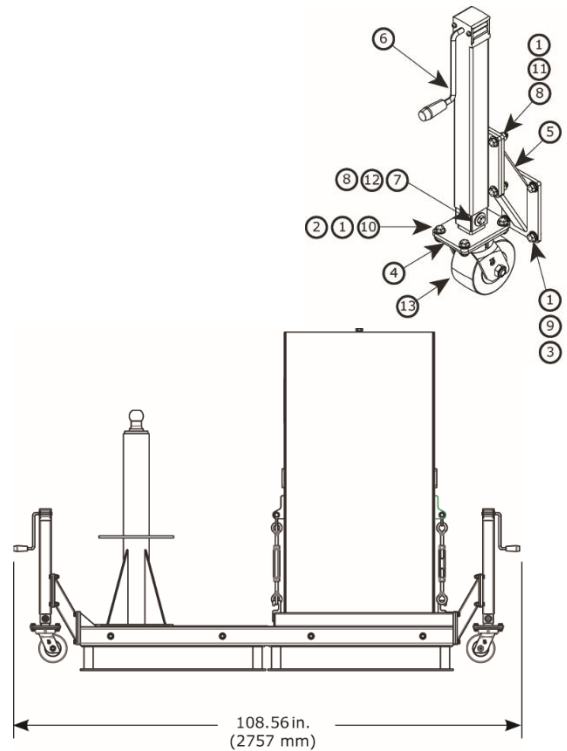
Pozrite si diagram nižšie pre pracovnú oblasť produktu.



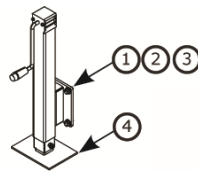
Príslušenstvo základne protizávažia M200
TECHNICKÝ LIST: 8530907, 8530908, 8530777



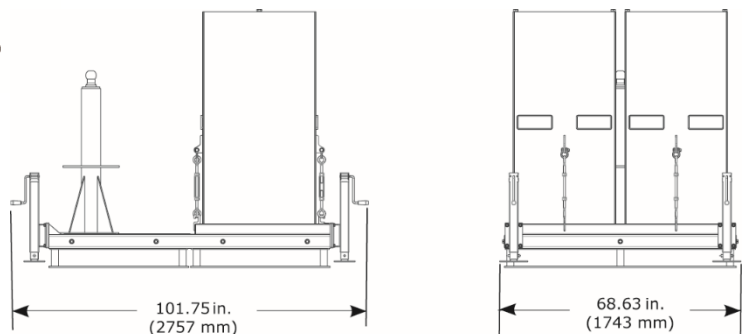
Zoznam komponentov				
	Číslo dielu	Popis	Materiál	Množstvo
1	8510037	Podložka 1/2"	Oceľ	80
2	8512460	Skrutka 1/2" x 1 1/4"	Oceľ	16
3	8518432	Skrutka 1/2" x 1"	Oceľ	16
4	8550153	Zvar kolesa	Oceľ	4
5	8550155	Šikmý zvar	Oceľ	4
6	8550156	Namontovaný zvar	Oceľ	4
7	9501243	Podložka 1/2"	Oceľ	8
8	9501831	Šesťhranná matica 1/2"	Oceľ	20
9	9504221	Podložka 1/2"	Oceľ	16
10	9504813	Šesťhranná matica 1/2"	Oceľ	16
11	9509276	Skrutka 1/2" x 1 3/4"	Oceľ	16
12	9510153	Skrutka 1/2" x 3 1/4"	Oceľ	4
13	9515081	Koliesko	Oceľ, Uretán	4



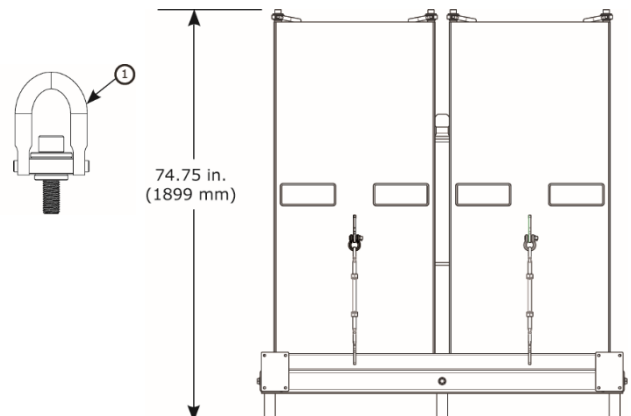
	8530907	8530908	8530777
Hmotnosť	108 lb. (49 kg)	152 lb. (69 kg)	12 lb. (5.4 kg)



	Číslo dielu	Popis	Materiál	Množstvo
1	9504221	Zaisťovacia podložka 1/2"	Oceľ	16
2	8510037	Podložka 1/2"	Oceľ	16
3	8518432	Skrutka 1/2" x 1"	Oceľ	16
4	8550177	Zvar kolesa	Oceľ	4




Zoznam komponentov				
	Číslo dielu	Popis	Materiál	Množstvo
1	9512574	Zdvihací krúžok	Oceľ	4




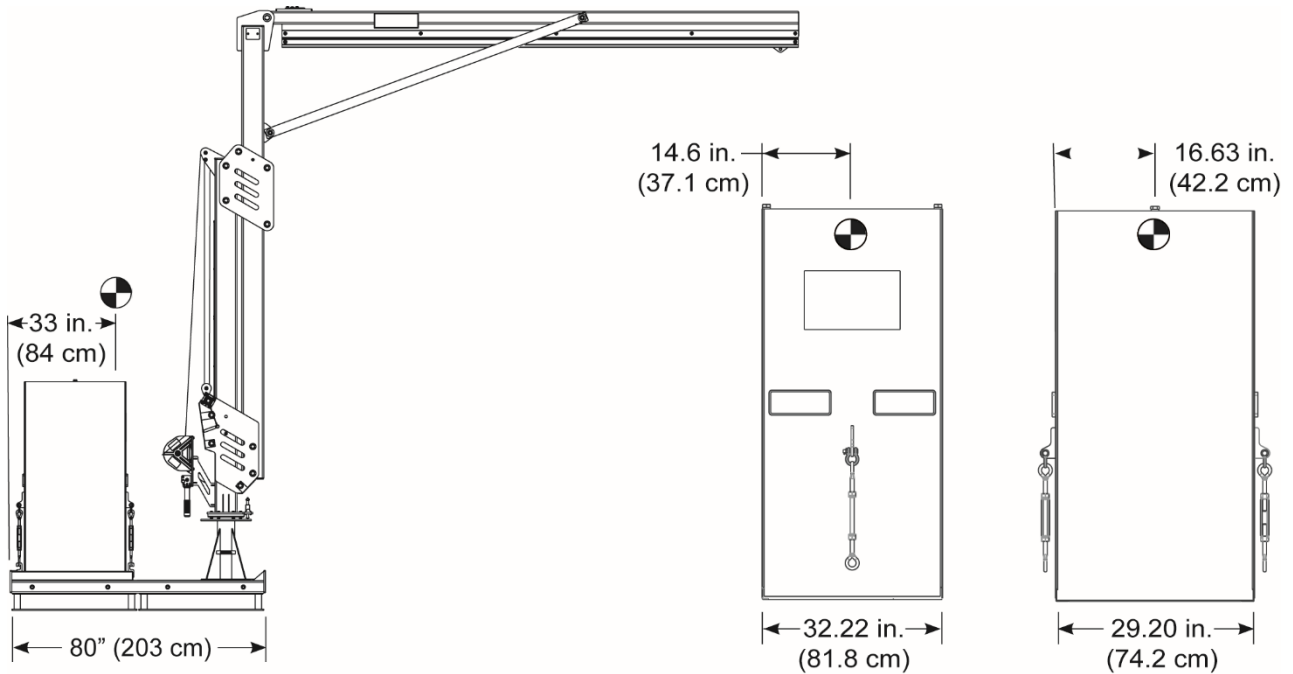
Ťažisko základne protizávažia M200


TECHNICKÝ LIST: 8530886, 8530887




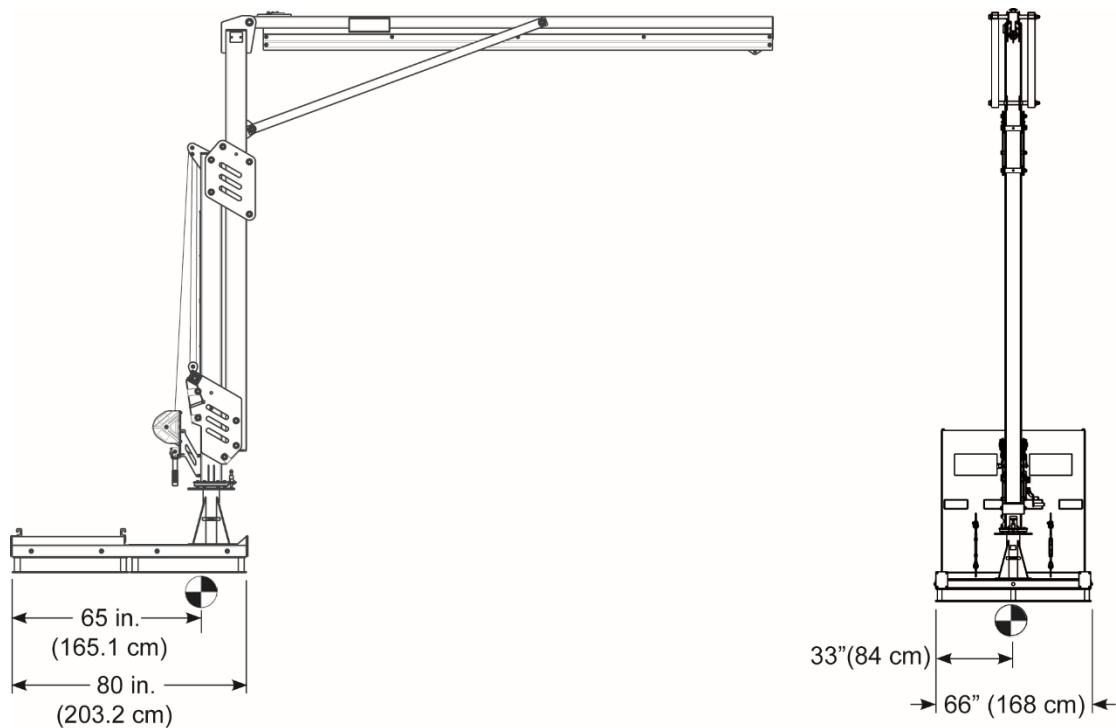
8530887	8530898
 .lb (kg)	12,668 lbs. (5,746 kg)

 .lb (kg)	5,000 lbs. (2,268 kg)
--	--------------------------



8530887	8530898
 .lb (kg)	2,668 lbs. (1,210 kg)

8530887	8530898
 .lb (kg)	12,668 lbs. (5,746 kg)



Základňa na montáž na podlahu M200

TECHNICKÝ LIST: 8530888



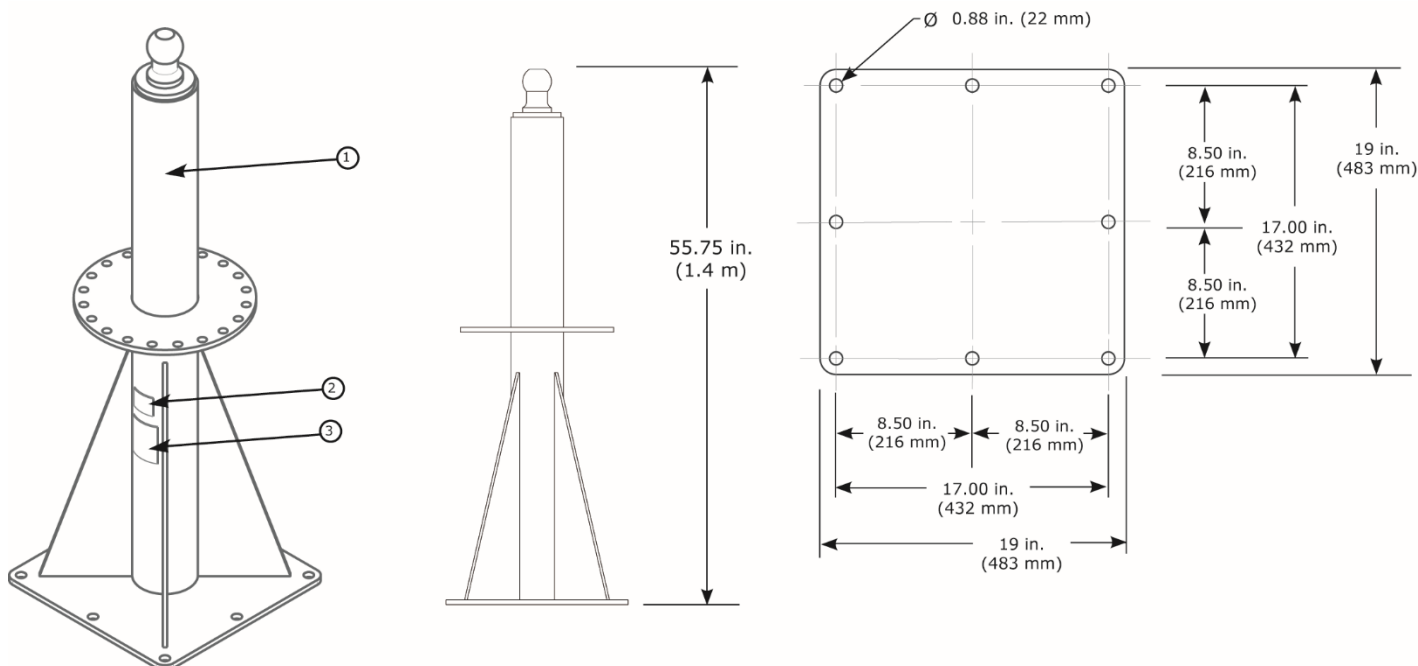
APLIKÁCIA:

Základňa davitu je navrhnutá tak, aby slúžila ako montážny bod pre systém davitu.

Pre viac informácií o inštalácii produktu si pozrite používateľské pokyny.

Normy: CEN/TS 16415:2013 Typ A, EN795:2012 Typ A, OSHA 1910.140, OSHA 1926.502

	Hmotnosť
8530888	265 lb. (120 kg)



Zoznam komponentov				
	Číslo dielu	Popis	Materiál	Množstvo
1	8549921	Zvar základne	Oceľ	1
2	9514429	ID štítok	Polyester	1
3	9515114	Používateľský štítok	Polyester	1

Požiadavky na montáž		
Minimálna vytrhovacia sila spojovacieho prvku	Minimálne momentové zaťaženie montážnej štruktúry	Minimálne vertikálne zaťaženie montážnej štruktúry
9,386 lb. (4,257 kg)	501,633 in-lb. (56,677 N-m)	3,320 lb. (1,506 kg) + Hmotnosť základne + Hmotnosť výložníka M200

Základňa na montáž do roviny M200

TECHNICKÝ LIST: 8530889, 8530920, 8530921



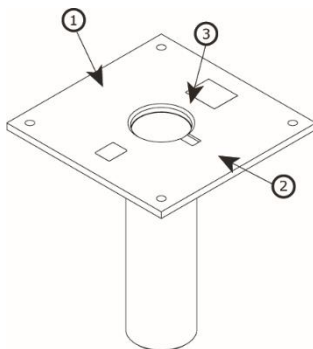
APLIKÁCIA:

Základňa davitu je navrhnutá tak, aby slúžila ako montážny bod pre systém davitu.

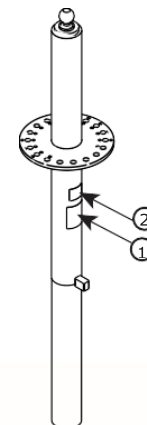
Pre viac informácií o inštalácii produktu si pozrite používateľské pokyny.

Normy: CEN/TS 16415:2013, EN795:2012 Typ A, OSHA 1910.140, OSHA 1926.502

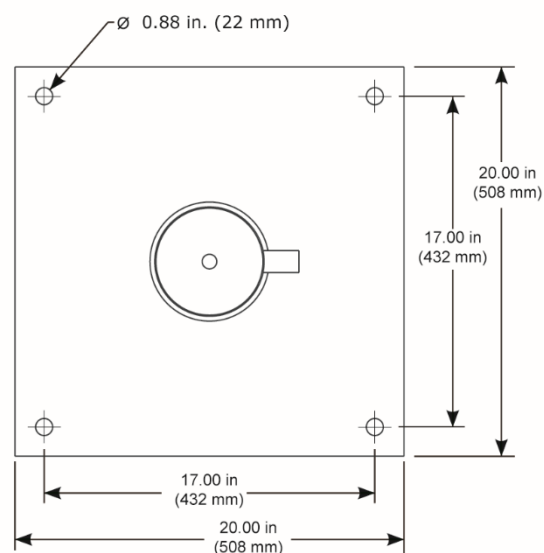
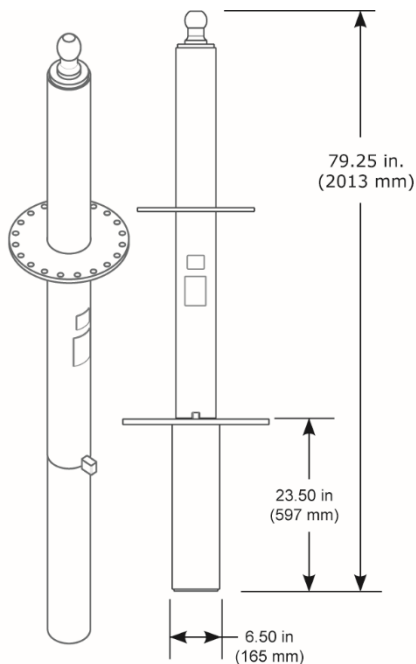
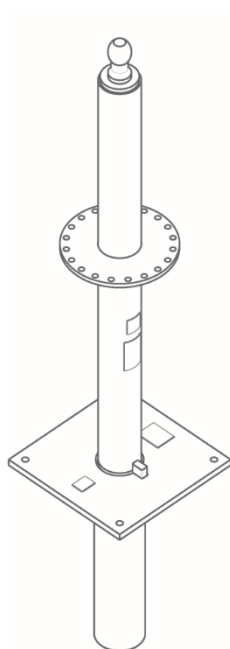
	Hmotnosť
8530920	140 lb. (64 kg)



	Hmotnosť
8530921	237 lb. (107 kg)



	Hmotnosť
8530889	377 lb. (171 kg)

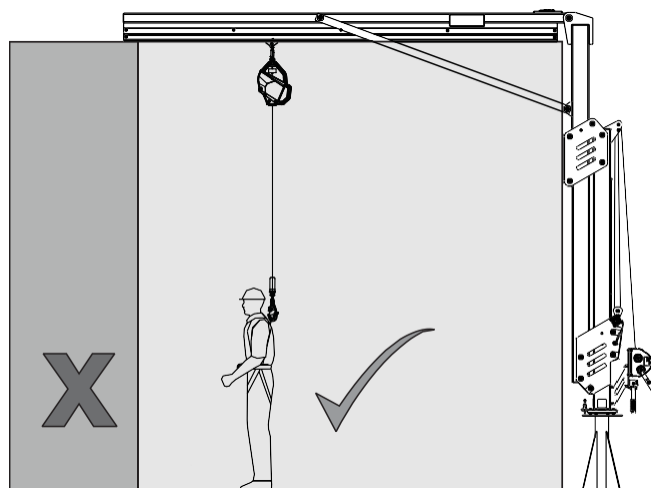
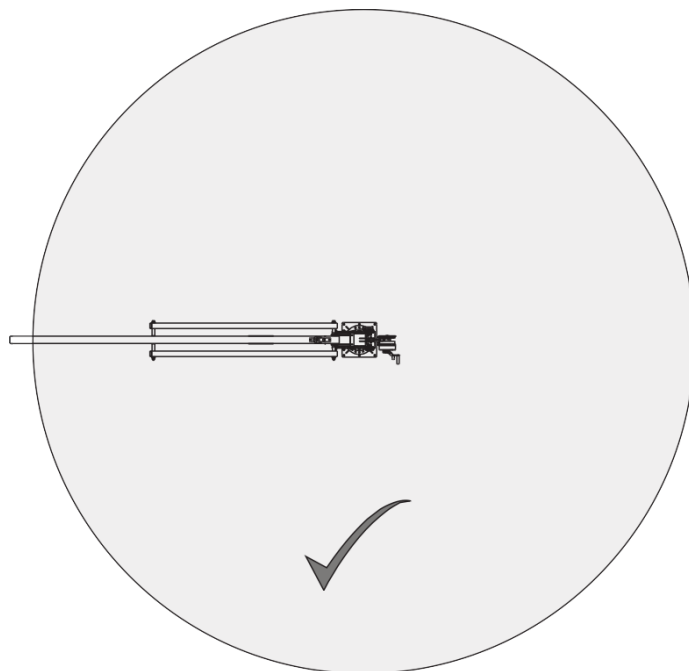


Zoznam komponentov				
	Číslo dielu	Popis	Materiál	Množstvo
1	9515114	Používateľský štítok	Polyester	1
2	9514429	ID štítok	Polyester	1
3	8550165	Kryt základne	Hliník, Guma	1

Požiadavky na montáž	
Minimálne momentové zaťaženie montážnej štruktúry	Minimálne vertikálne zaťaženie montážnej štruktúry
501,633 in-lb. (56,677 N-m)	3,320 lb. (1,506 kg) + Hmotnosť základne + Hmotnosť výložníka M200

APLIKÁCIA:

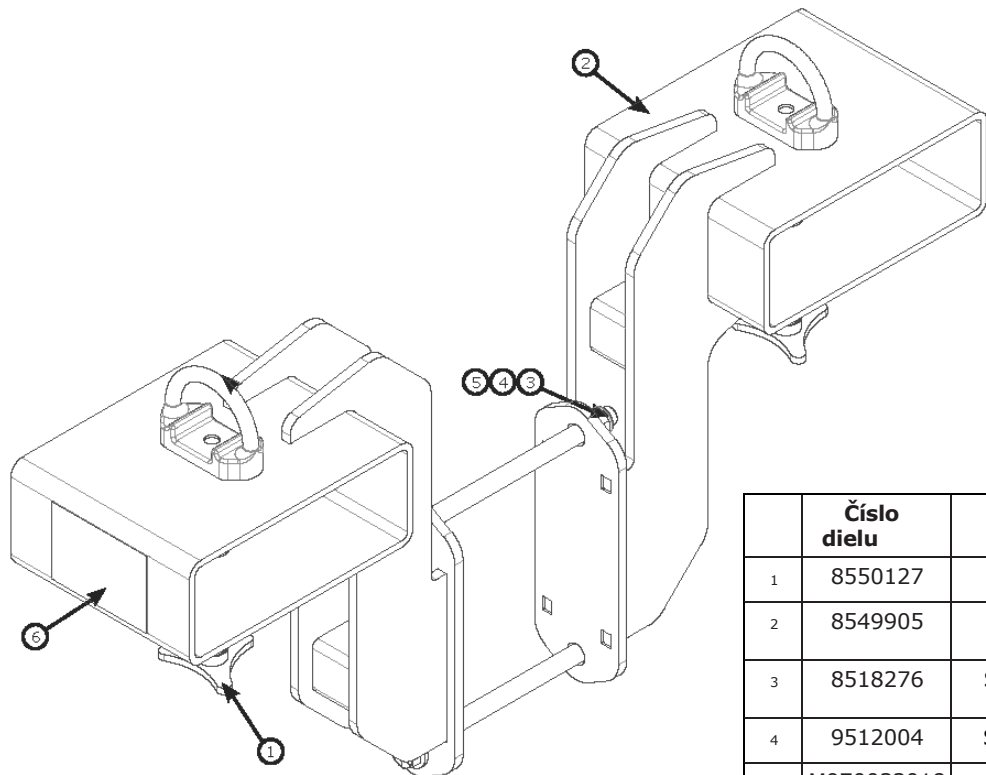
Pozrite si diagram nižšie pre pracovnú oblasť produktu.



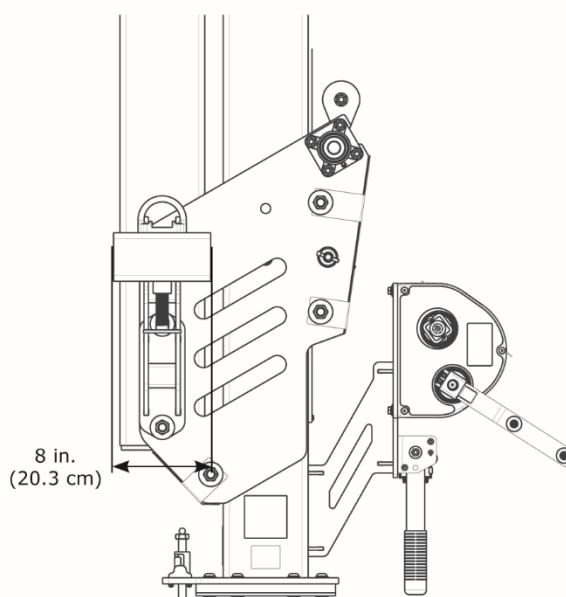
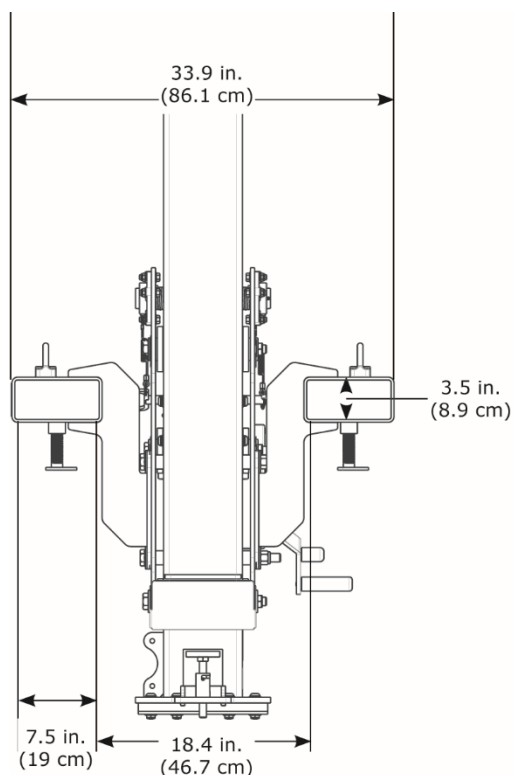
APLIKÁCIA:

Táto sada vidlicových vreciek je navrhnutá na prepravu modelov davitov s navijakom **8530891-8530898**.

Pre viac informácií o inštalácii komponentov si pozrite používateľské pokyny.



	Číslo dielu	Komponent	Množstvo
1	8550127	Tri-Skrutka	2
2	8549905	Zvar vidlicového vrecka	2
3	8518276	Šesťhranná matica 3/4"	2
4	9512004	Skrutka 3/4" x 12"	2
5	M970033018	Podložka 3/4"	4
6	9515122	Používateľský štítok	1
	9500146	Článok reťaze	2
	8517096	Reťaz	10 ft.



Sada vidlicových vreciek

TECHNICKÝ LIST: 8530925

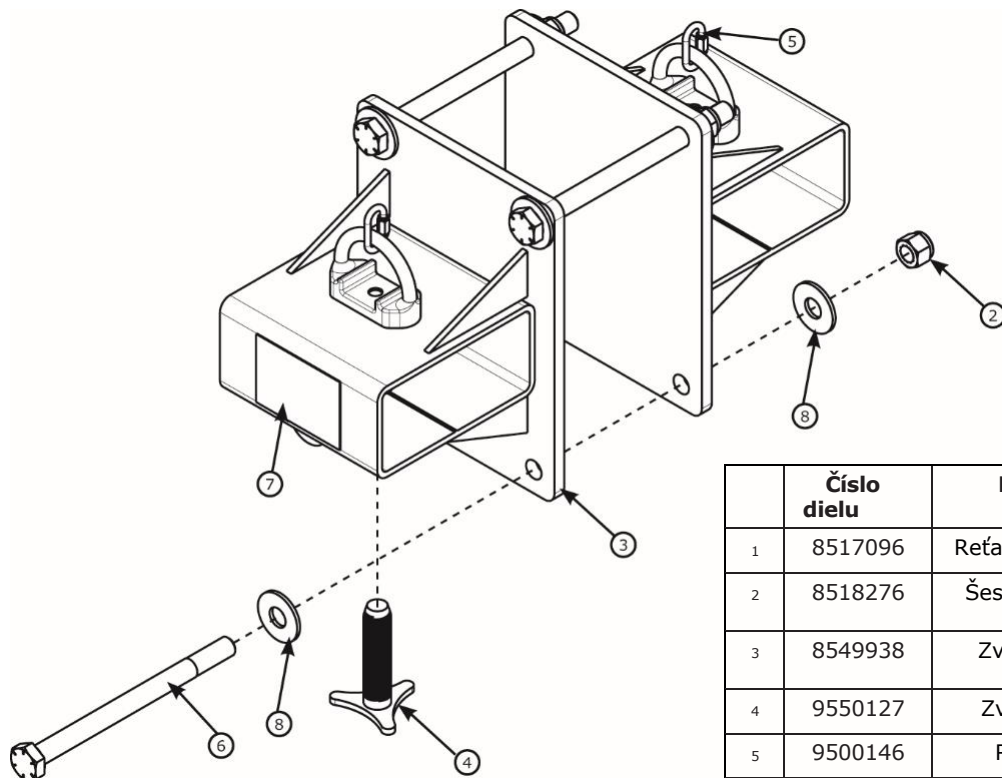
3M

**DBI
SALA®**
Fall Protection

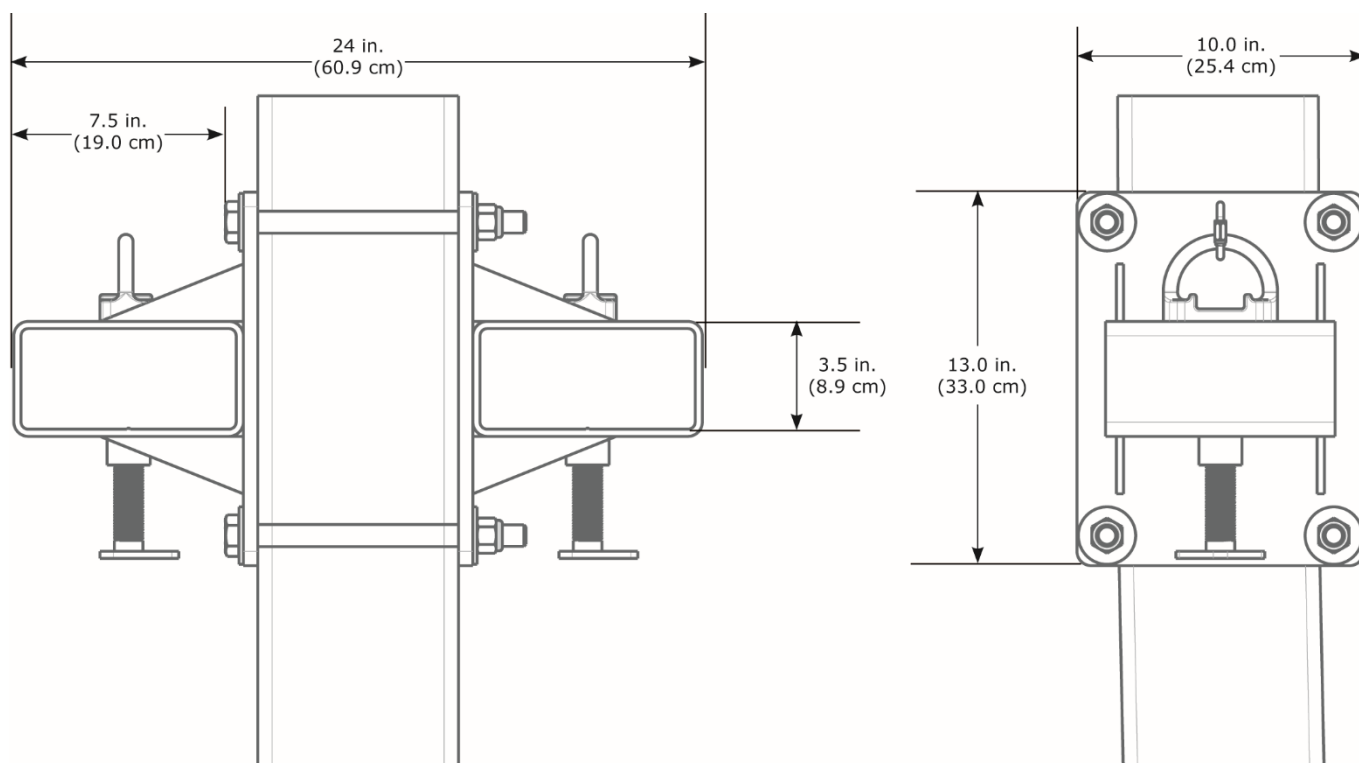
APLIKÁCIA:

Táto sada vidlicových vreciek je navrhnutá na prepravu davitu s nastavovacím kanálom modelov **8530899–8530904**.

Pre viac informácií o inštalácii komponentov si pozrite používateľské pokyny.



	Číslo dielu	Komponent	Množstvo
1	8517096	Reťaz (nezobrazená)	10 ft.
2	8518276	Šesťhranná matica 3/4"	4
3	8549938	Zvar vidlicového vrečka	2
4	9550127	Zvar tri-skrutky	2
5	9500146	Rýchlospojka	2
6	9514294	Skrutka so šesťhrannou hlavou 3/4"	4
7	9515573	Varovný štítok	1
8	M970033018	Podložka 3/4"	8



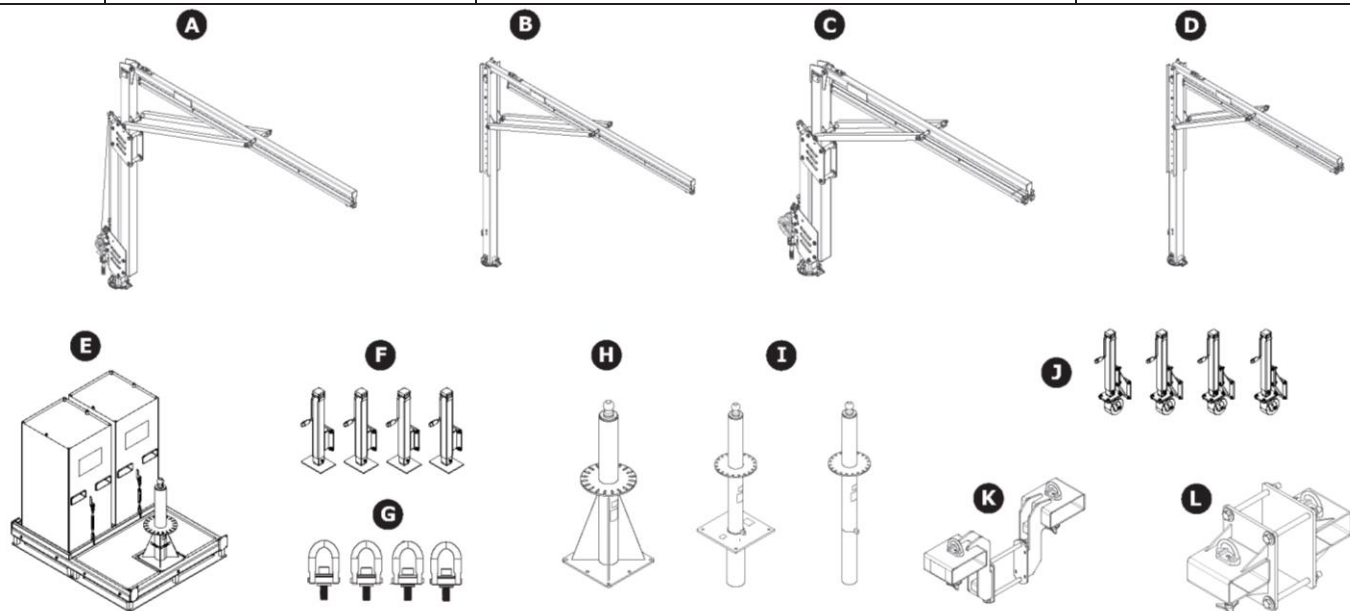


Fall Protection

3M™ DBI-SALA® M200 Davit Systems

Tehnični podatkovni list paketa 5908526 Rev. D

Klicanje	Tehnični podatkovni list	Opis	Stran
A	8530891	12.3 ft.–15 ft. (3.8 m–4.6 m) Nastavljiv žerjav	470
	8530892	14.8 ft.–20 ft. (4.5 m–6.1 m) Nastavljiv žerjav	470
	8530893	17.3 ft.–25 ft. (5.3 m–7.6 m) Nastavljiv žerjav	470
	8530894	19.8 ft.–30 ft. (6.1 m–9.1 m) Nastavljiv žerjav	470
B	8530899	15 ft.–20 ft. (4.6 m–6.1 m) Pol-fiksni žerjav	472
	8530900	20 ft.–25 ft. (6.1 m–7.6 m) Pol-fiksni žerjav	472
	8530901	25 ft.–30 ft. (7.6 m–9.1 m) Pol-fiksni žerjav	472
C	8530895	12.3 ft.–15 ft. (3.8 m–4.6 m) Nastavljiv žerjav	474
	8530896	14.8 ft.–20 ft. (4.5 m–6.1 m) Nastavljiv žerjav	474
	8530897	17.3 ft.–25 ft. (5.3 m–7.6 m) Nastavljiv žerjav	474
	8530898	19.8 ft.–30 ft. (6.1 m–9.1 m) Nastavljiv žerjav	474
D	8530902	15 ft.–20 ft. (4.6 m–6.1 m) Pol-fiksni žerjav	476
	8530903	20 ft.–25 ft. (6.1 m–7.6 m) Pol-fiksni žerjav	476
	8530904	25 ft.–30 ft. (7.6 m–9.1 m) Pol-fiksni žerjav	476
E	8530886	Nepolnjena baza protiuteži	478
	8530887	Polnjena baza protiuteži	478
F	8530907	Dvigalke za bazo protiuteži	480
G	8530777	Dvižni obroči za bazo protiuteži	480
H	8530888	Talna montažna baza	482
I	8530889, 8530920, 8530921	Vgradna montažna baza	483
J	8530908	Kolesa za bazo protiuteži	480
K	8530912	Komplet žepov za vilice	485
L	8530925	Komplet žepov za vilice	486



Nastavljiv žerjav

TEHNIČNI PODATKOVNI LIST: 8530891-8530894

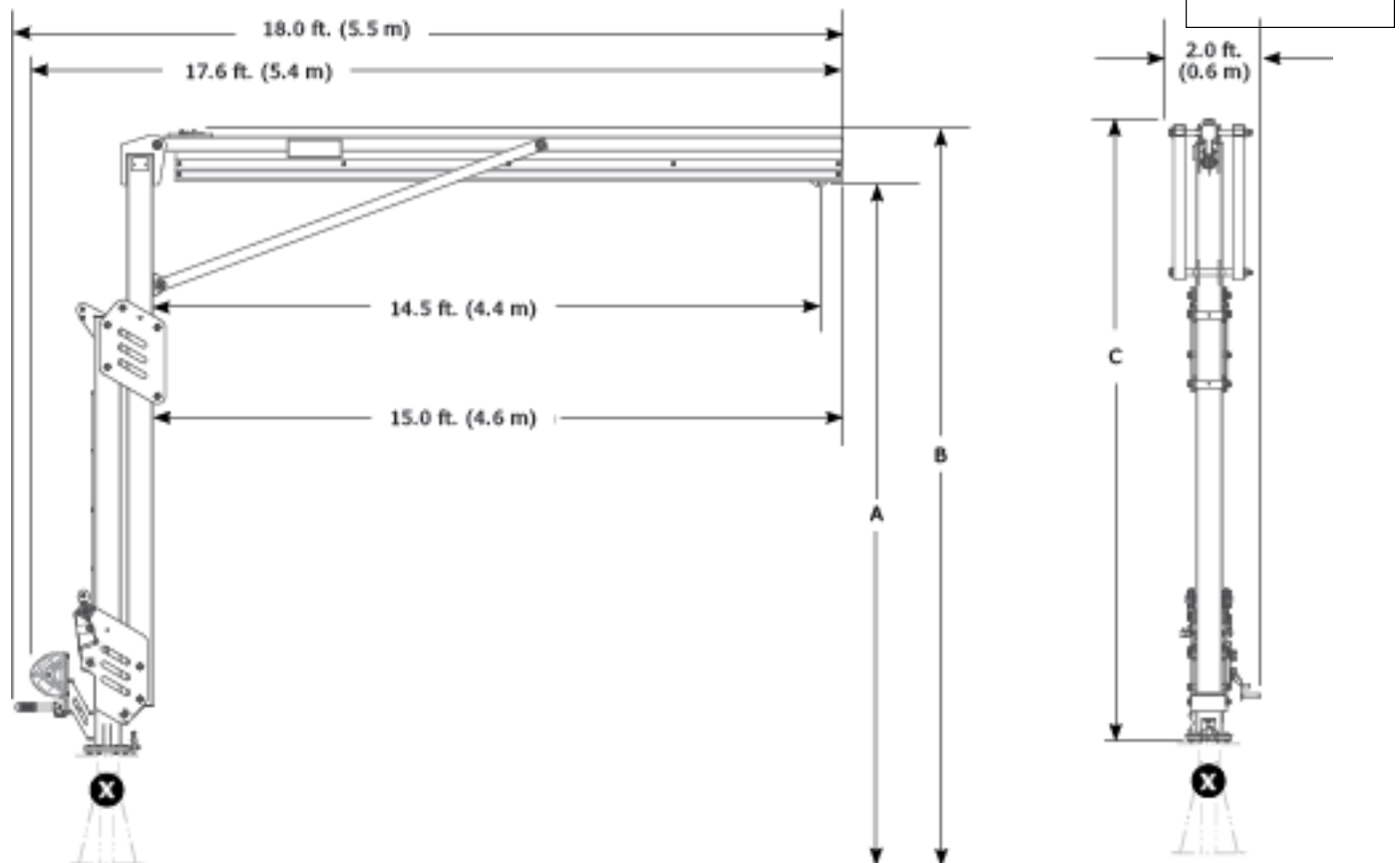


UPORABA:

Žerjav je zasnovan za zagotavljanje priključnih točk za sistem zaščite pred padcem.

Za več informacij o namestitvi izdelka glejte navodila za uporabo.

Standardi: EN795:2012 Tip E, OSHA 1910.140, OSHA 1926.502



	A	B	C	lb. (kg)
8530891	12.3 ft. - 15.0 ft. (3.8 m - 4.6 m)	13.4 ft. - 16.1 ft. (4.1 m - 4.9 m)	9.8 ft. - 14.8 ft. (3.0 m - 4.5 ft.)	945 lb. (429 kg)
8530892	14.8 ft. - 20.0 ft. (4.5 m - 6.1 m)	15.9 ft. - 21.1 ft. (4.8 m - 6.4 m)	13.5 ft. - 18.7 ft. (4.1 m - 5.7 m)	1,057 lb. (479 kg)
8530893	17.3 ft. - 25.0 ft. (5.3 m - 7.6 m)	18.4 ft. - 26.1 ft. (5.6 m - 8.0 m)	16.0 - 23.7 ft. (4.9 m - 7.2 m)	1,169 lb. (530 kg)
8530894	19.8 ft. - 30.0 ft. (6.0 m - 9.1 m)	20.9 ft. - 31.1 ft. (6.4 m - 9.5 m)	18.5 ft. - 28.7 ft. (5.6 m - 8.7 m)	1,281 lb. (581 kg)

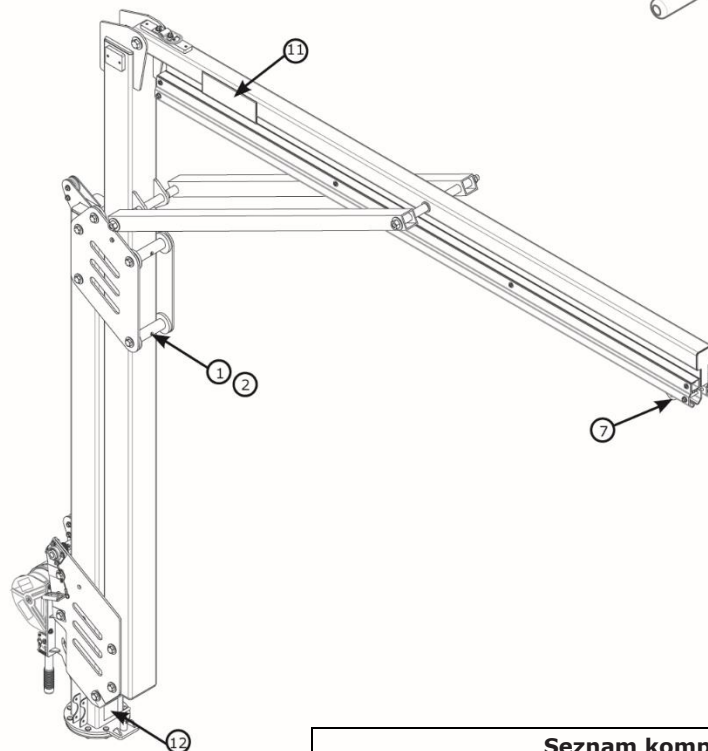
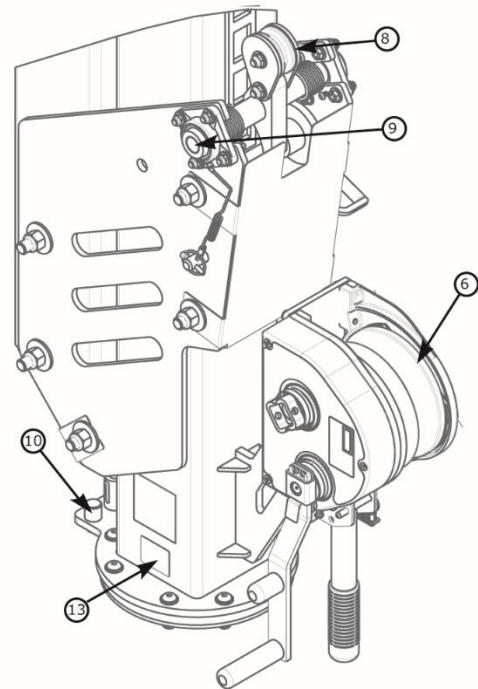
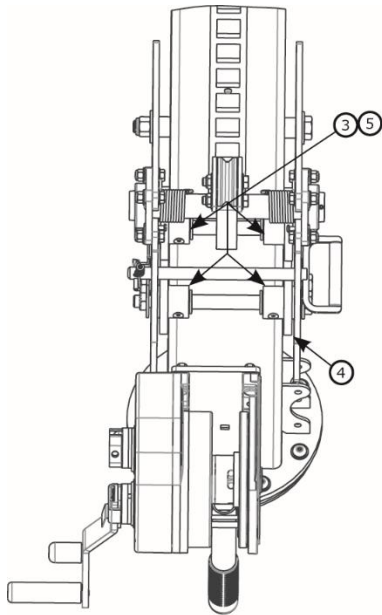
Komponente nastavljlivega žerjava

TEHNIČNI PODATKOVNI LIST: 8530891-8530894

3M

**DBI
SALA®**

Fall Protection



Seznam komponent				
	Številka dela	Opis	Material	Količina
1	8550046	Široki valj	Najlon	3
2	8550047	Distanznik širokega valja	Nerjavno jeklo 304	3
3	8550327	Ozki valj	Najlon	2
4	9514703	Stranski valj	Najlon	8
5	8550213	Distanznik ozkega valja	Nerjavno jeklo 304	2
6	8549930	Vitlo	Jeklo	1
7	8521711	Voziček	Jeklo, Najlon	1

Seznam komponent				
	Številka dela	Opis	Material	Količina
8	8550223	Mehanizem zaklepanja (samo pooblaščno popravilo)	Jeklo, Najlon	1
9	9515138	Ležaji	Jeklo	2
10	8550398	Zavorna postaja	Aluminij	2
11	9515111	3M nalepka	Poliester	2
12	9515101	Nalepka za rotacijo	Poliester	1
13	9514429	ID nalepka	Poliester	1
14	9515112	Nalepka za uporabnika	Poliester	1

Pol-fiksni žerjav
TEHNIČNI PODATKOVNI LIST: 8530899-8530901





UPORABA:

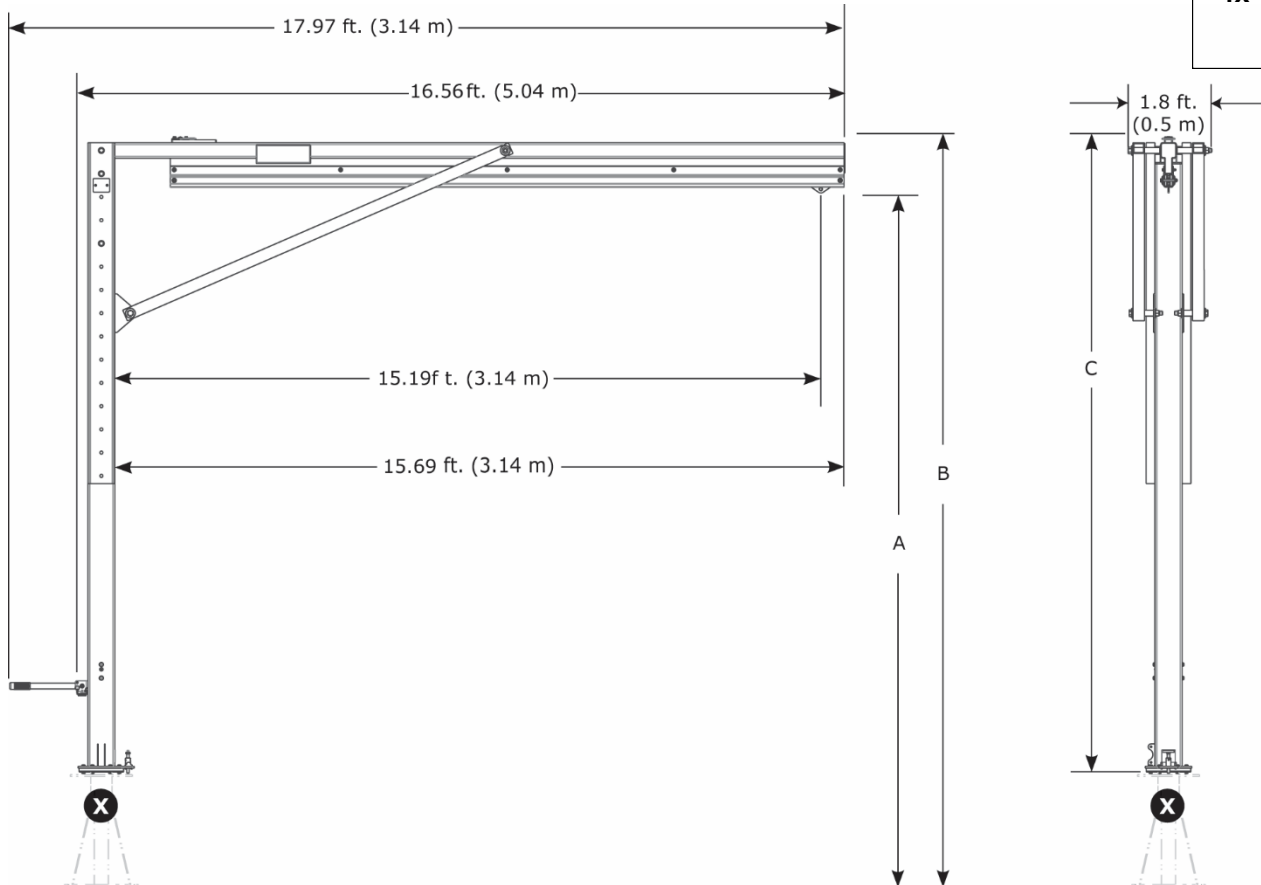
Žerjav je zasnovan za zagotavljanje priključnih točk za sistem zaščite pred padcem.

Za več informacij o namestitvi izdelka glejte navodila za uporabo.

Standardi: EN795:2012 Tip E, OSHA 1910.140, OSHA 1926.502


≤ 1350 lb.
(6 kN)

1x

≤ 310 lb.
(140 kg)



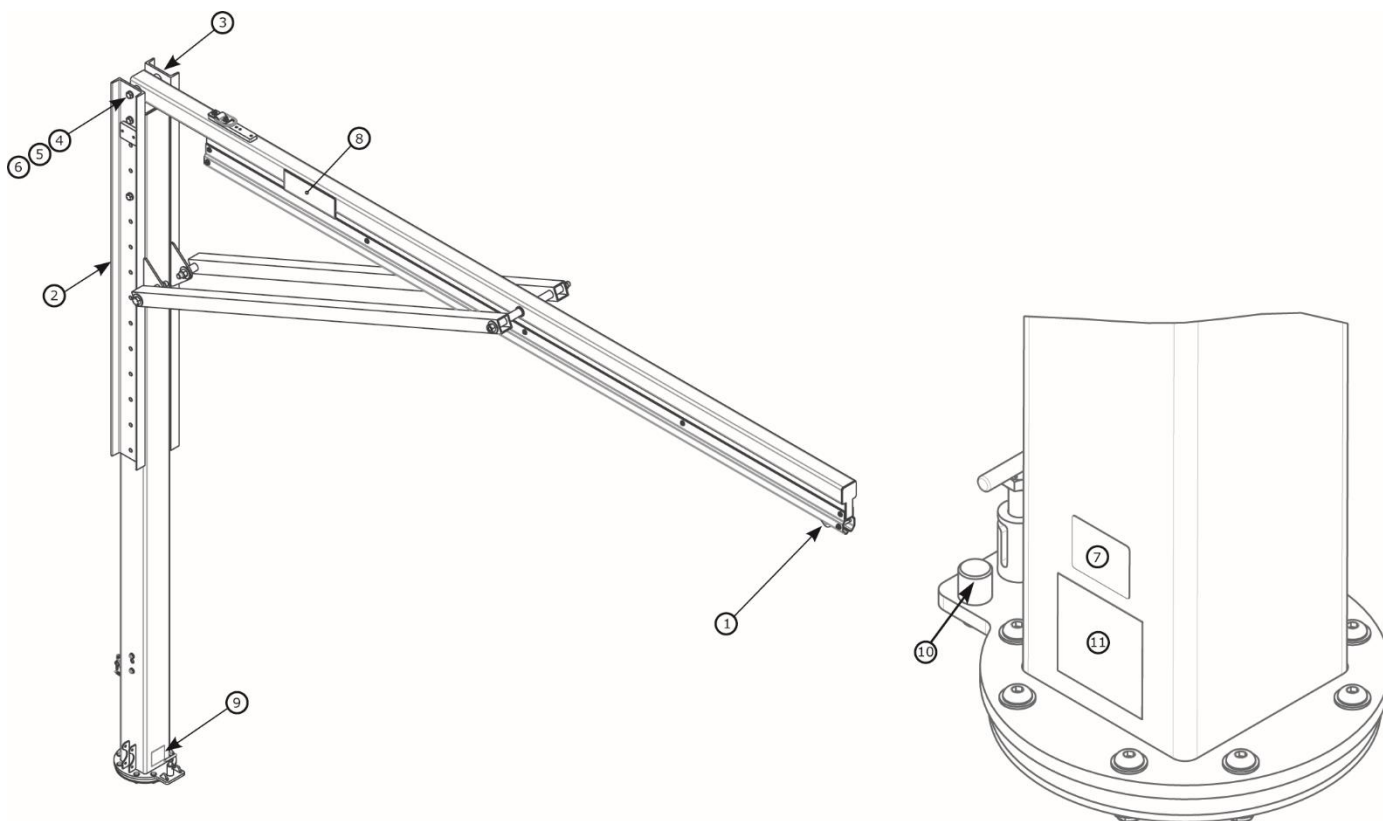
	A	B	C	lb. (kg)
8530899	15.0 ft. – 20.0 ft. (4.6 m – 6.1 m)	16.1 ft. – 21.1 ft. (4.9 m – 6.4 m)	13.7 ft. – 18.7 ft. (4.2 m – 5.7 m)	818 lb. (371 kg)
8530900	20.0 ft. – 25.0 ft. (6.1 m – 7.6 m)	21.1 ft. – 26.1 ft. (6.4 m – 7.9 m)	18.7 ft. – 23.7 ft. (5.7 m – 7.2 m)	930 lb. (422 kg)
8530901	25.0 ft. – 30.0 ft. (7.6 m – 9.1 m)	26.1 ft. – 31.1 ft. (7.9 m – 9.6 m)	23.7 ft. – 28.7 ft. (7.2 m – 8.7 m)	1,041 lb. (472 kg)
+6" (152 mm) prilagoditveni koraki				

Komponente pol-fiksnega žerjava

TEHNIČNI PODATKOVNI LIST: 8530899-8530901

3M

DBI
SALA
Fall Protection



	Številka dela	Opis	Material	Količina
1	8521711	Voziček	Nerjavno jeklo, Jeklo, Najlon	1
2	8549933	Kanal za reševanje	Jeklo	1
3	8550248	Kanal	Jeklo	1
4	8526654	Vijak 3/4" x 9"	Jeklo	2
5	8522275	Podložka 3/4"	Jeklo	4
6	8518276	Matica 3/4"	Jeklo	2
7	9514429	ID nalepka	Poliester	1

	Številka dela	Opis	Material	Količina
8	9515111	3M nalepka	Poliester	2
9	9515101	Nalepka za rotacijo	Poliester	1
10	8550398	Zavorna postaja	Aluminij	2
11	9515112	Nalepka za uporabnika	Poliester	1

Nastavljiv žerjav

TEHNIČNI PODATKOVNI LIST: 8530895-8530898

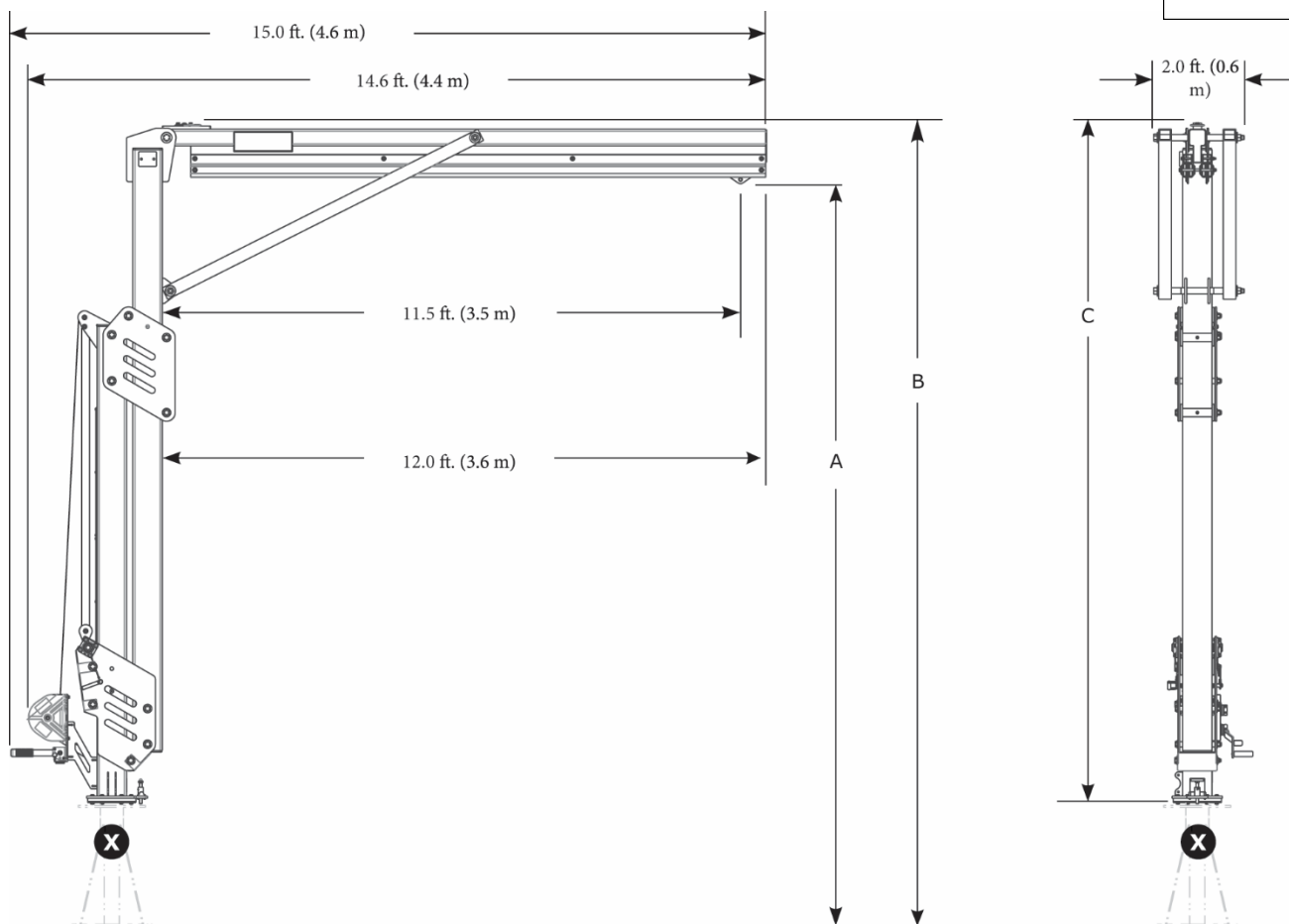
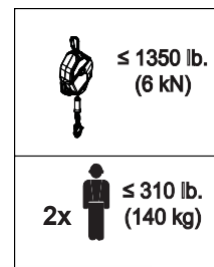


UPORABA:

Žerjav je zasnovan za zagotavljanje priključnih točk za sistem zaščite pred padcem.

Za več informacij o namestitvi izdelka glejte navodila za uporabo.

Standardi: CEN/TS 16415:2013 Tip E, EN795:2012 Tip E, OSHA 1910.140, OSHA 1926.502



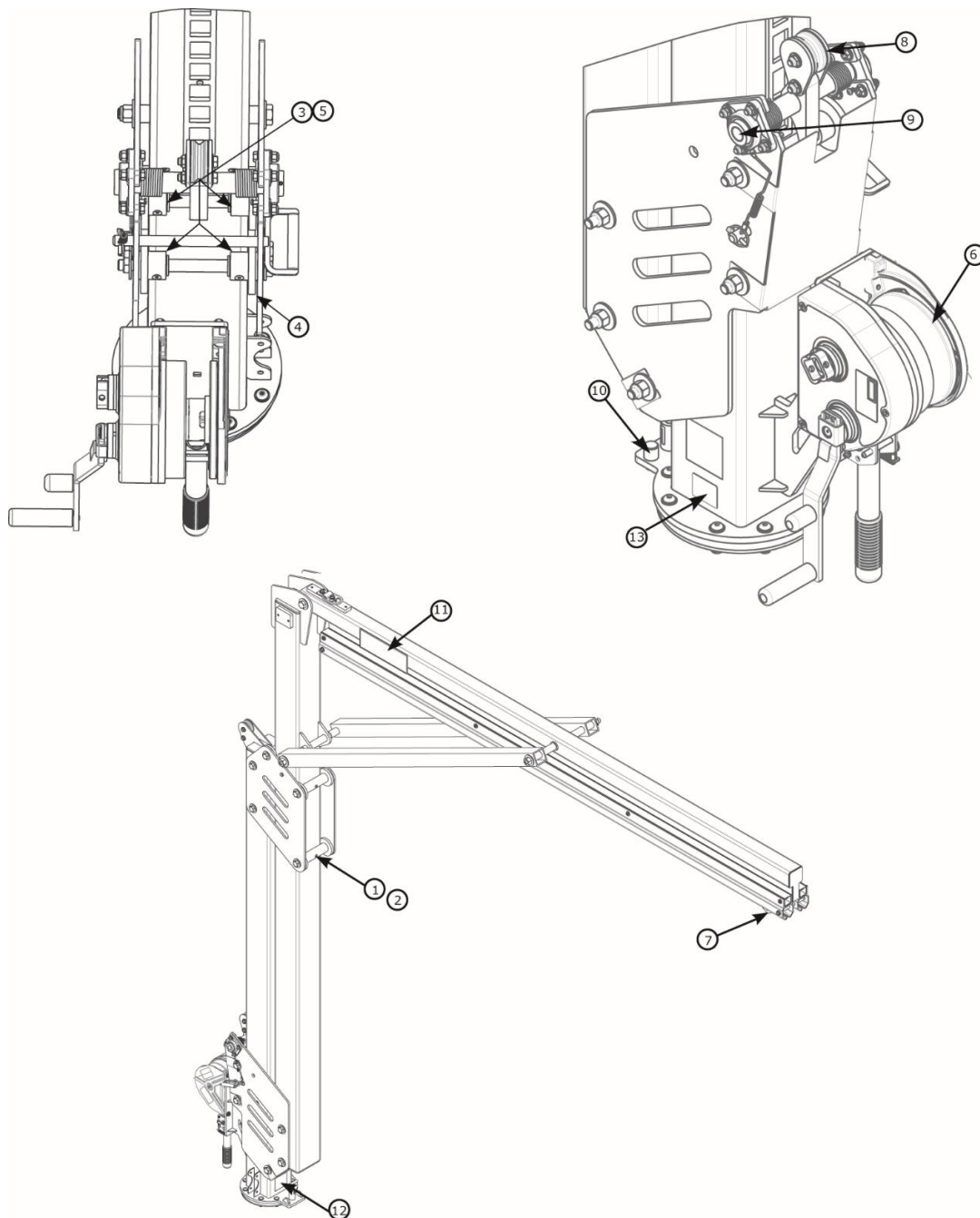
	A	B	C	lb. (kg)
8530895	12.3 ft. - 15.0 ft. (3.8 m - 4.6 m)	13.4 ft. - 16.1 ft. (4.1 m - 4.9 m)	11.0 ft. - 13.7 ft. (3.4 m - 4.2 ft.)	1,011 lb. (459 kg)
8530896	14.8 ft. - 20.0 ft. (4.5 m - 6.1 m)	15.9 ft. - 21.1 ft. (4.8 m - 6.4 m)	13.5 ft. - 18.7 ft. (4.1 m - 5.7 m)	1,123 lb. (509 kg)
8530897	17.3 ft. - 25.0 ft. (5.3 m - 7.6 m)	18.4 ft. - 26.1 ft. (5.6 m - 8.0 m)	16.0 - 23.7 ft. (4.9 m - 7.2 m)	1,235 lb. (560 kg)
8530898	19.8 ft. - 30.0 ft. (6.0 m - 9.1 m)	20.9 ft. - 31.1 ft. (6.4 m - 9.5 m)	18.5 ft. - 28.7 ft. (5.6 m - 8.7 m)	1,343 lb. (609 kg)

Komponente nastavljivega žerjava

TEHNIČNI PODATKOVNI LIST: 8530895-8530898

3M

DBI
SALA
Fall Protection



Seznam komponent				
	Številka dela	Opis	Material	Količina
1	8550046	Široki valj	Najlon	3
2	8550047	Distanznik širokega valja	Nerjavno jeklo 304	3
3	8550327	Ozki valj	Najlon	2
4	9514703	Stranski valj	Najlon	8
5	8550213	Distanznik ozkega valja	Nerjavno jeklo 304	2
6	8549930	Vitlo	Jeklo	1
7	8521711	Voziček	Jeklo, Najlon	1

Seznam komponent				
	Številka dela	Opis	Material	Količina
8	8550223	Mehanizem zaklepanja (samo pooblaščno popravilo)	Jeklo, Najlon	1
9	9515138	Ležaji	Jeklo	2
10	8550398	Zavorna postaja	Aluminij	2
11	9515111	3M nalepka	Poliester	2
12	9515101	Nalepka za rotacijo	Poliester	1
13	9514429	ID nalepka	Poliester	1
14	9515112	Nalepka za uporabnika	Poliester	1

Pol-fiksni žerjav

TEHNIČNI PODATKOVNI LIST: 8530902–8530904

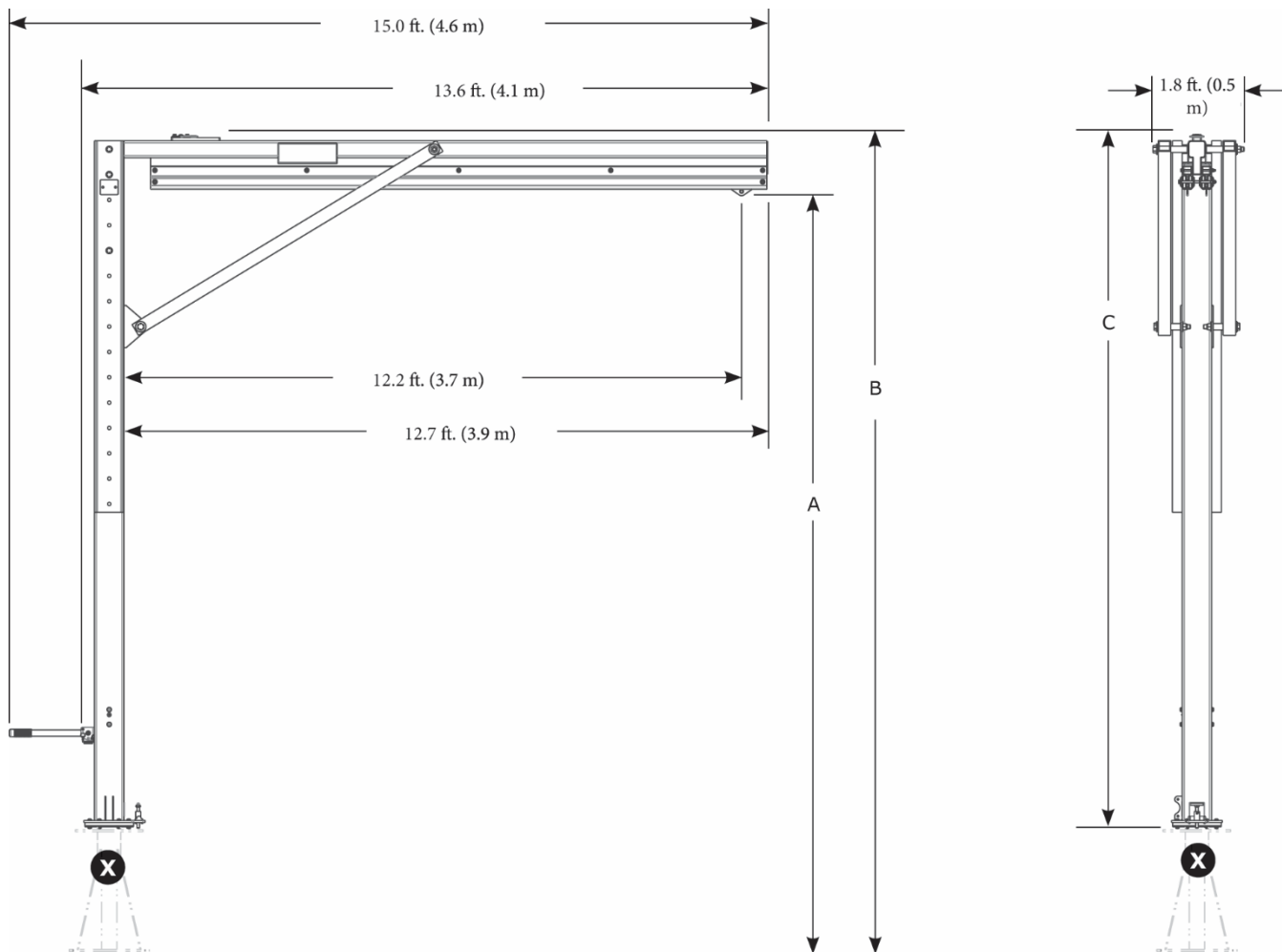
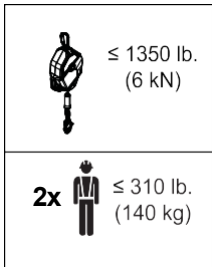


UPORABA:

Žerjav je zasnovan za zagotavljanje priključnih točk za sistem zaščite pred padcem.

Za več informacij o namestitvi izdelka glejte navodila za uporabo.

Standardi: CEN/TS 16415:2013 Tip E, EN795:2012 Tip E, OSHA 1910.140, OSHA 1926.502



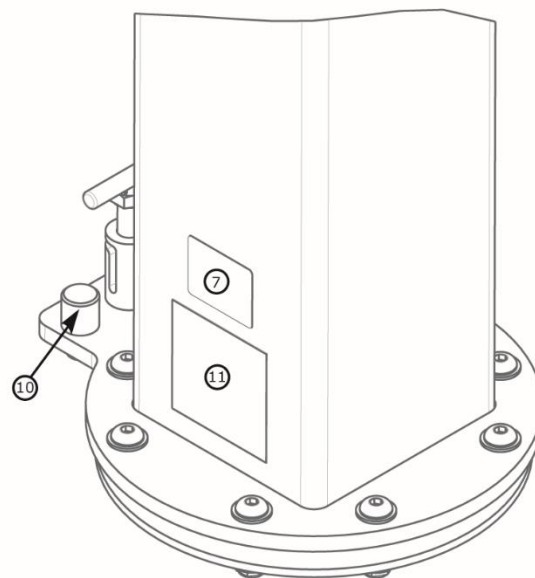
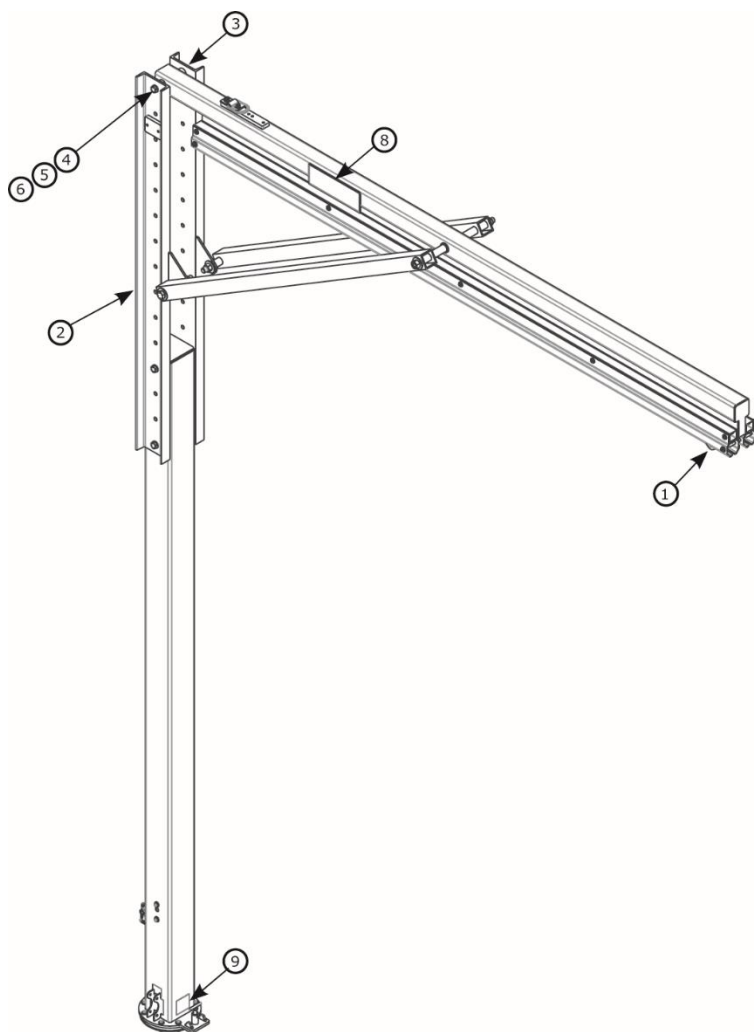
	A	B	C	lb. (kg)
8530902	15.0 ft. – 20.0 ft. (4.6 m – 6.1 m)	16.1 ft. – 21.1 ft. (4.9 m – 6.4 m)	13.7 ft. – 18.7 ft. (4.2 m – 5.7 m)	850 lb. (386 kg)
8530903	20.0 ft. – 25.0 ft. (6.1 m – 7.6 m)	21.1 ft. – 26.1 ft. (6.4 m – 7.9 m)	18.7 ft. – 23.7 ft. (5.7 m – 7.2 m)	961 lb. (436 kg)
8530904	25.0 ft. – 30.0 ft. (7.6 m – 9.1 m)	26.1 ft. – 31.1 ft. (7.9 m – 9.6 m)	23.7 ft. – 28.7 ft. (7.2 m – 8.7 m)	1,073 lb. (487 kg)

Komponente pol-fiksnega žerjava

TEHNIČNI PODATKOVNI LIST: 8530902-8530904

3M

DBI
SALA
Fall Protection



	Številka dela	Opis	Material	Količina
1	8521711	Voziček	Nerjavno jeklo, Jeklo, Najlon	1
2	8549933	Kanal za reševanje	Jeklo	1
3	8550248	Kanal	Jeklo	1
4	8526654	Vijak 3/4" x 9"	Jeklo	2
5	8522275	Podložka 3/4"	Jeklo	4
6	8518276	Matica 3/4"	Jeklo	2
7	9514429	ID nalepka	Poliester	1

	Številka dela	Opis	Material	Količina
8	9515111	3M nalepka	Poliester	2
9	9515101	Nalepka za rotacijo	Poliester	1
10	8550398	Zavorna postaja	Aluminij	2
11	9515112	Nalepka za uporabnika	Poliester	1

Osnova protiuteži M200

TEHNIČNI PODATKOVNI LIST: 8530886, 8530887



UPORABA:

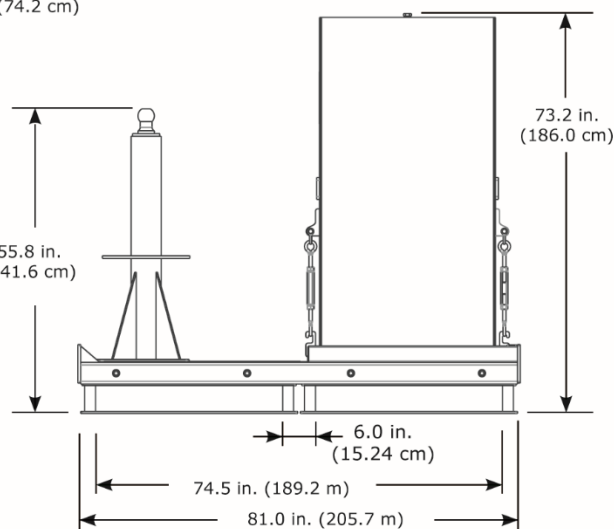
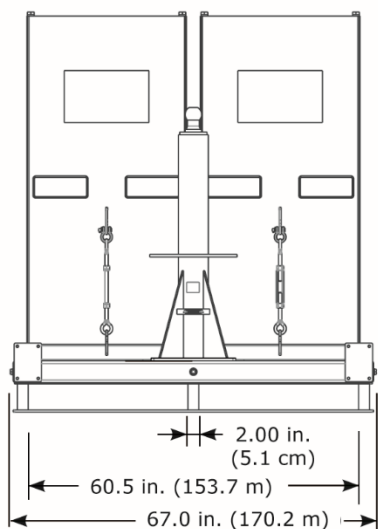
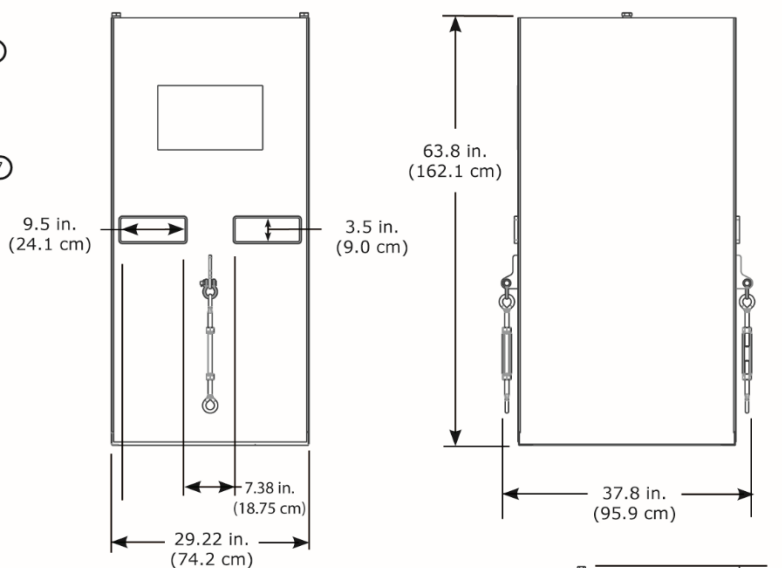
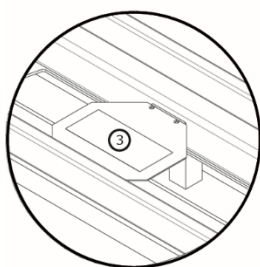
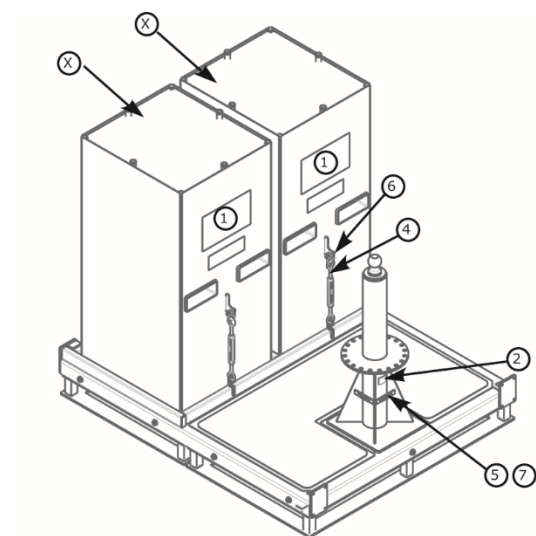
Osnova žerjava je zasnovana kot montažna točka za sistem žerjava.

Za več informacij o namestitvi izdelka glejte navodila za uporabo.

Standardi: CEN/TS 16415:2013 Tip E, EN795:2012 Tip E, OSHA 1910.140, OSHA 1926.502

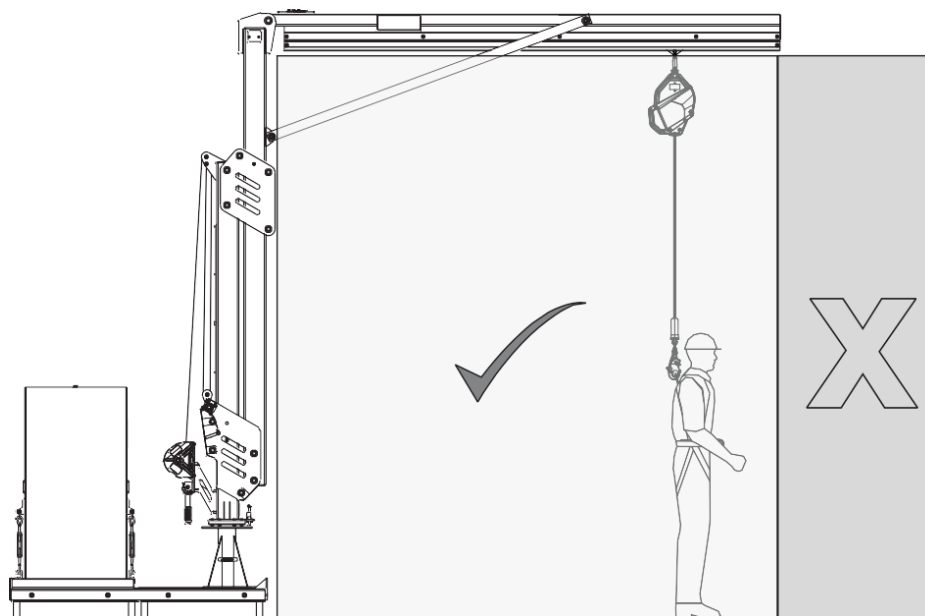
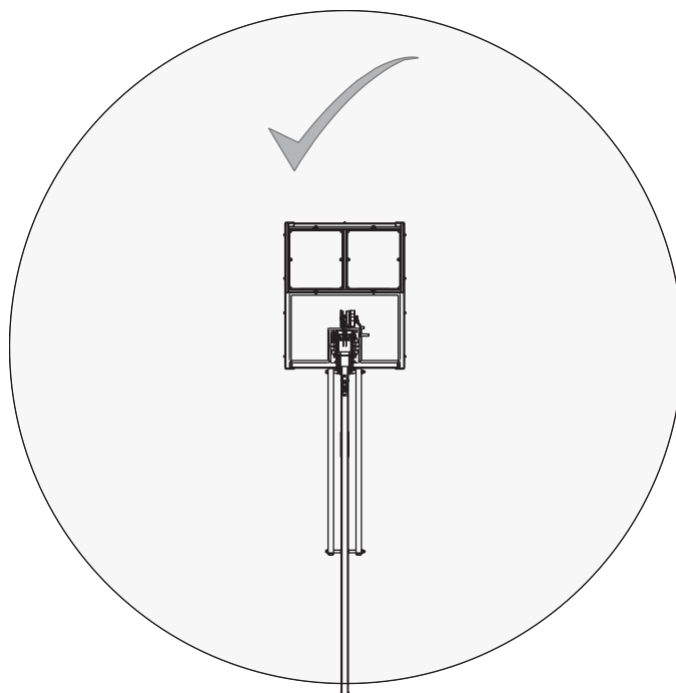
	X 4,000 psi (30 MPa)	Zahteve za podporno strukturo	Teža
8530886		14,645 lb. (6,643 kg)	2,407 lb. (1,092 kg)
8530887	✓	+ Teža roke žerjava M200	11,325 lb. (5,137 kg)

Seznam komponent				
	Številka dela	Opis	Material	Količina
1	9515107	Nalepka za uporabnika	Poliester	1
2	9514429	ID nalepka	Poliester	1
3	9515106	Opozorilna nalepka	Poliester	1
4	8520575	Napenjalec	Jeklo	2
5	9513627	Vijak #4	Jeklo	4
6	9501794	Škripec	Jeklo	2
7	9515058	Libela	Plastika	2
8	9515566	Opozorilna nalepka	Poliester	4



UPORABA:

Glejte diagram spodaj za delovno območje izdelka.



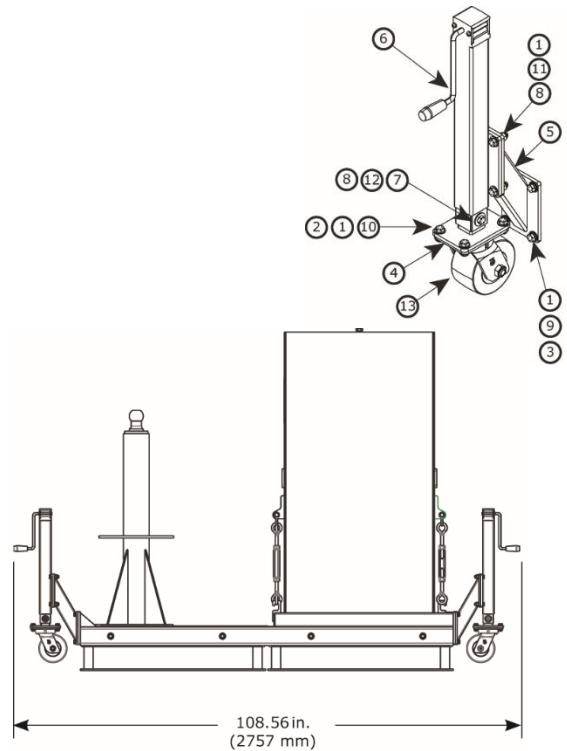
Dodatki za osnovo protiuteži M200

TEHNIČNI PODATKOVNI LIST: 8530907, 8530908, 8530777

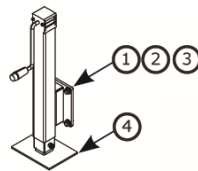


Fall Protection

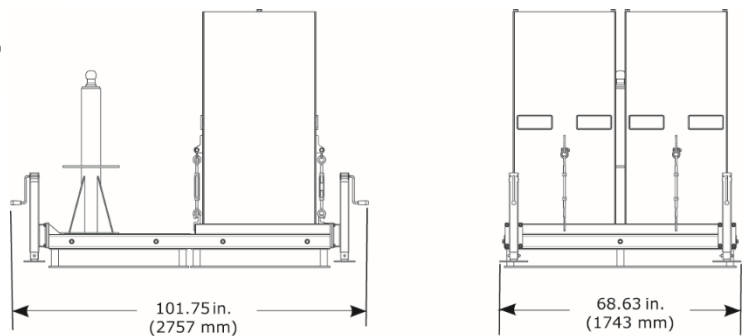
Seznam komponent				
	Številka dela	Opis	Material	Količina
1	8510037	Podložka 1/2"	Jeklo	80
2	8512460	Vijak 1/2" x 1 1/4"	Jeklo	16
3	8518432	Vijak 1/2" x 1"	Jeklo	16
4	8550153	Varjeni del za kolesa	Jeklo	4
5	8550155	Kotni varjeni del	Jeklo	4
6	8550156	Montirani varjeni del	Jeklo	4
7	9501243	Podložka 1/2"	Jeklo	8
8	9501831	Šestkotna matica 1/2"	Jeklo	20
9	9504221	Podložka 1/2"	Jeklo	16
10	9504813	Šestkotna matica 1/2"	Jeklo	16
11	9509276	Vijak 1/2" x 1 3/4"	Jeklo	16
12	9510153	Vijak 1/2" x 3 1/4"	Jeklo	4
13	9515081	Kolesce	Jeklo, Uretan	4



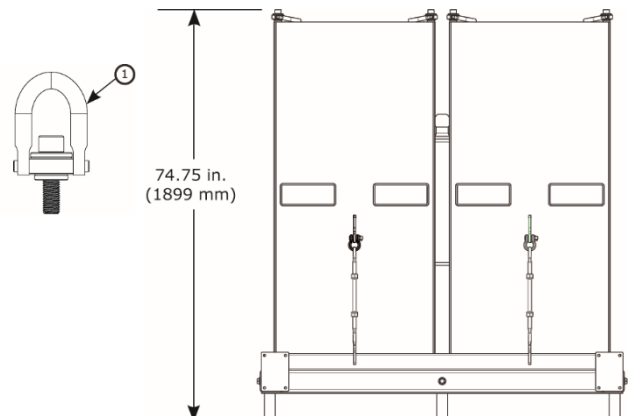
	8530907	8530908	8530777
Teža	108 lb. (49 kg)	152 lb. (69 kg)	12 lb. (5.4 kg)



	Številka dela	Opis	Material	Količina
1	9504221	Varnostna podložka 1/2"	Jeklo	16
2	8510037	Podložka 1/2"	Jeklo	16
3	8518432	Vijak 1/2" x 1"	Jeklo	16
4	8550177	Varjeni del za kolesa	Jeklo	4





Seznam komponent				
	Številka dela	Opis	Material	Količina
1	9512574	Dvižni obroč	Jeklo	4

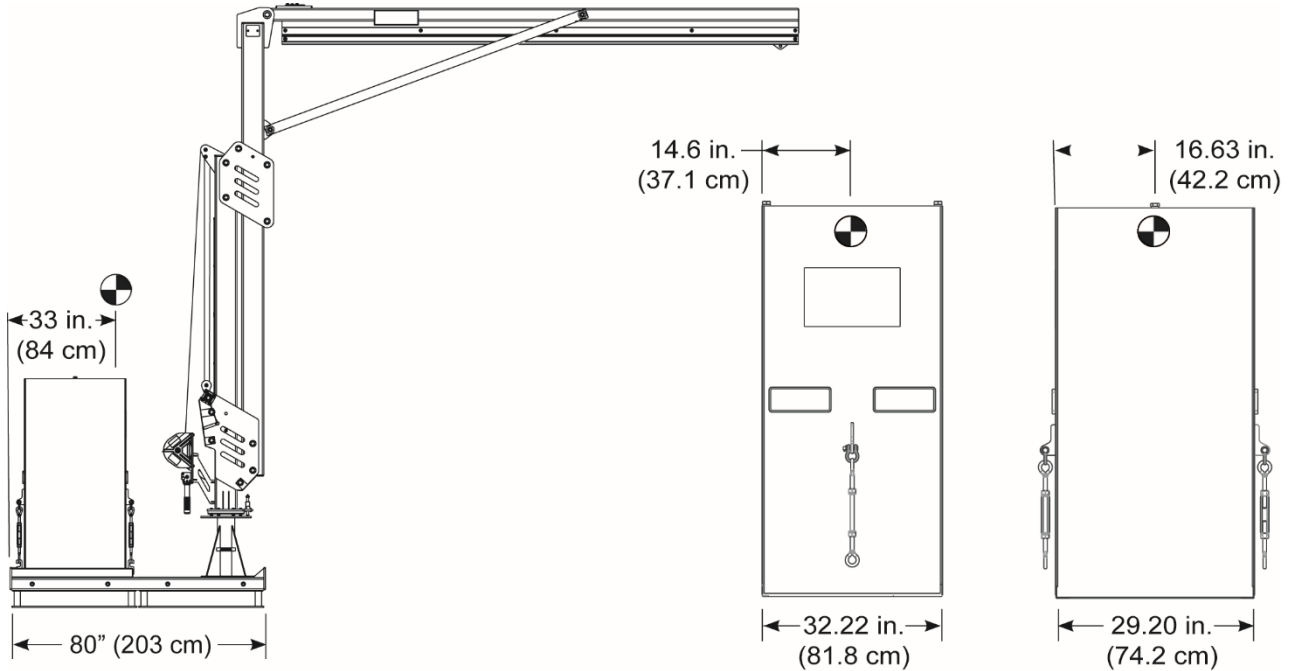



Težišče osnove protiuteži M200
TEHNIČNI PODATKOVNI LIST: 8530886, 8530887




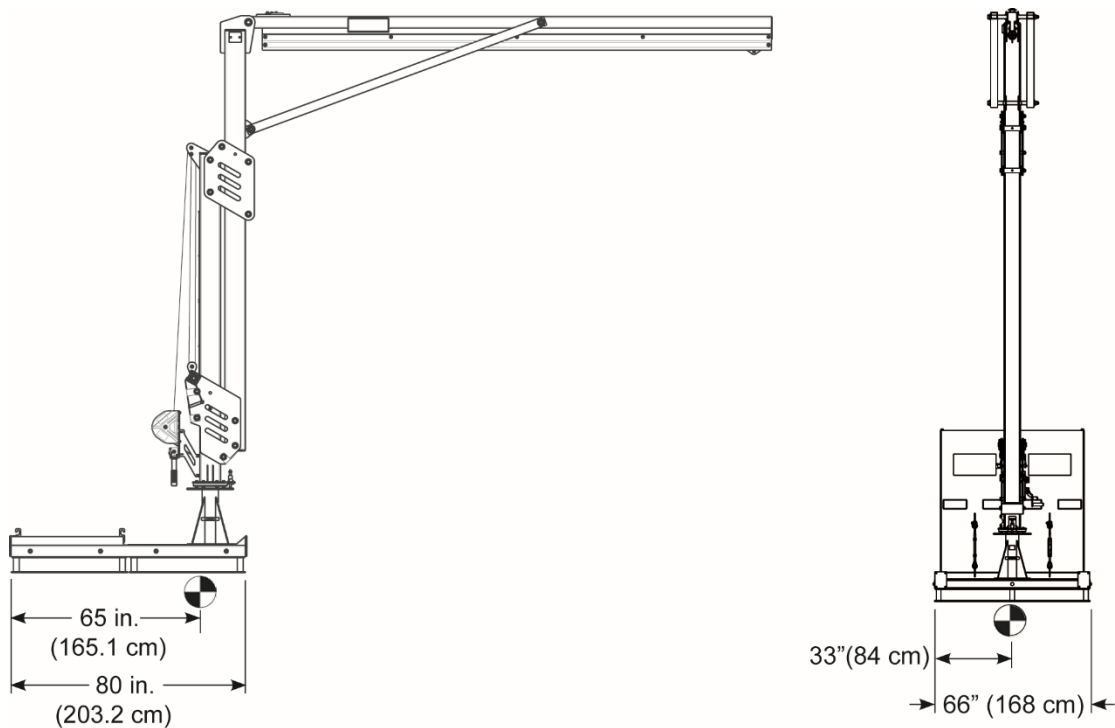
8530887	8530898
 .lb (kg)	12,668 lbs. (5,746 kg)

 .lb (kg)	5,000 lbs. (2,268 kg)
--	--------------------------



8530887	8530898
 .lb (kg)	2,668 lbs. (1,210 kg)

8530887	8530898
 .lb (kg)	12,668 lbs. (5,746 kg)



Talna montažna baza M200

TEHNIČNI PODATKOVNI LIST: 8530888



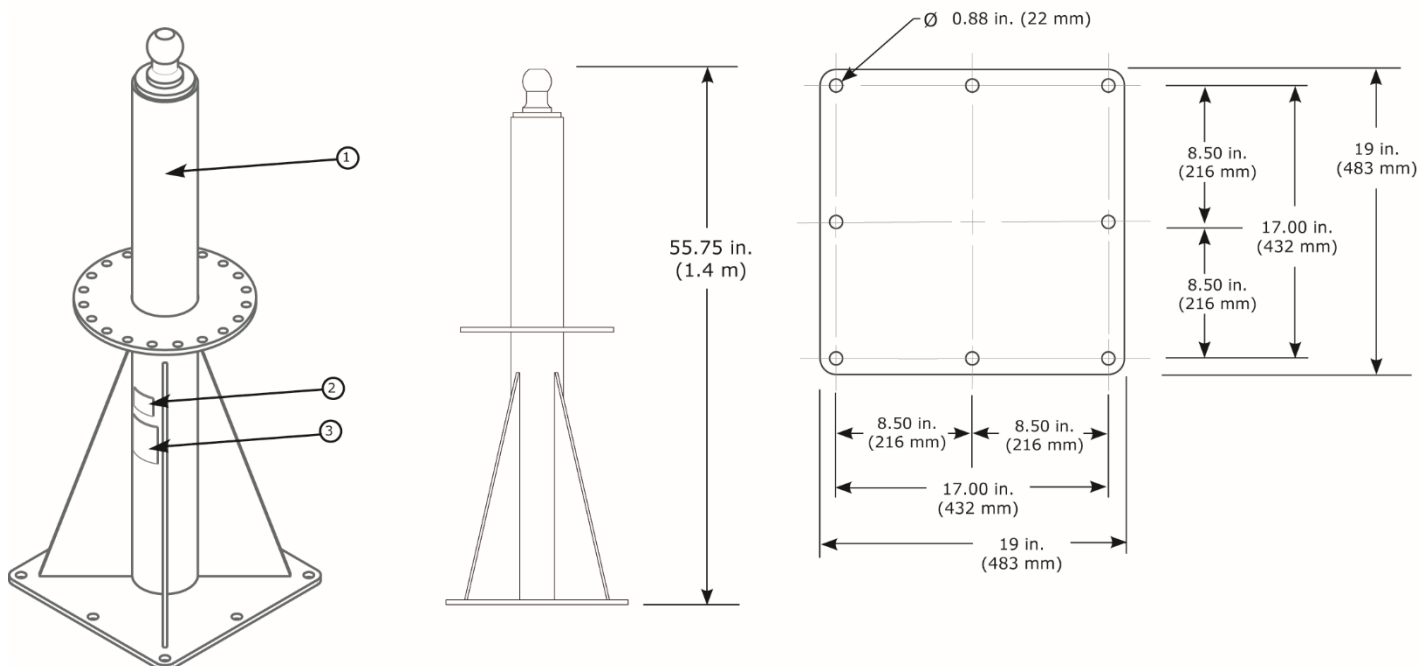
UPORABA:

Osnova žerjava je zasnovana kot montažna točka za sistem žerjava.

Za več informacij o namestitvi izdelka glejte navodila za uporabo.

Standardi: CEN/TS 16415:2013 Tip A, EN795:2012 Tip A, OSHA 1910.140, OSHA 1926.502

	Teža
8530888	265 lb. (120 kg)



Seznam komponent				
	Številka dela	Opis	Material	Količina
1	8549921	Varjeni del osnove	Jeklo	1
2	9514429	ID nalepka	Poliester	1
3	9515114	Nalepka za uporabnika	Poliester	1

Zahteve za montažo		
Minimalna izvlečna sila pritrdilnega elementa	Minimalna obremenitev momenta montažne strukture	Minimalna vertikalna obremenitev montažne strukture
9,386 lb. (4,257 kg)	501,633 in.-lb. (56,677 N-m)	3,320 lb. (1,506 kg) + Teža osnove + Teža roke žerjava M200

Vgradna montažna baza M200

TEHNIČNI PODATKOVNI LIST: 8530889, 8530920, 8530921



Fall Protection

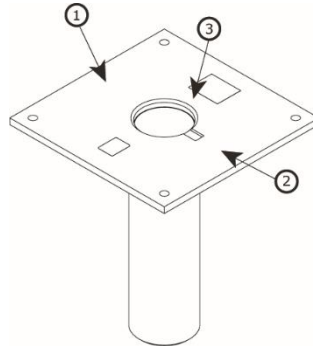
UPORABA:

Osnova žerjava je zasnovana kot montažna točka za sistem žerjava.

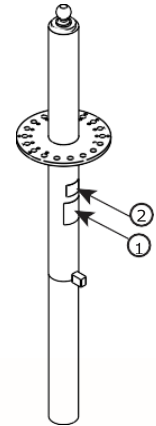
Za več informacij o namestitvi izdelka glejte navodila za uporabo.

Standardi: CEN/TS 16415:2013, EN795:2012 Tip A, OSHA 1910.140, OSHA 1926.502

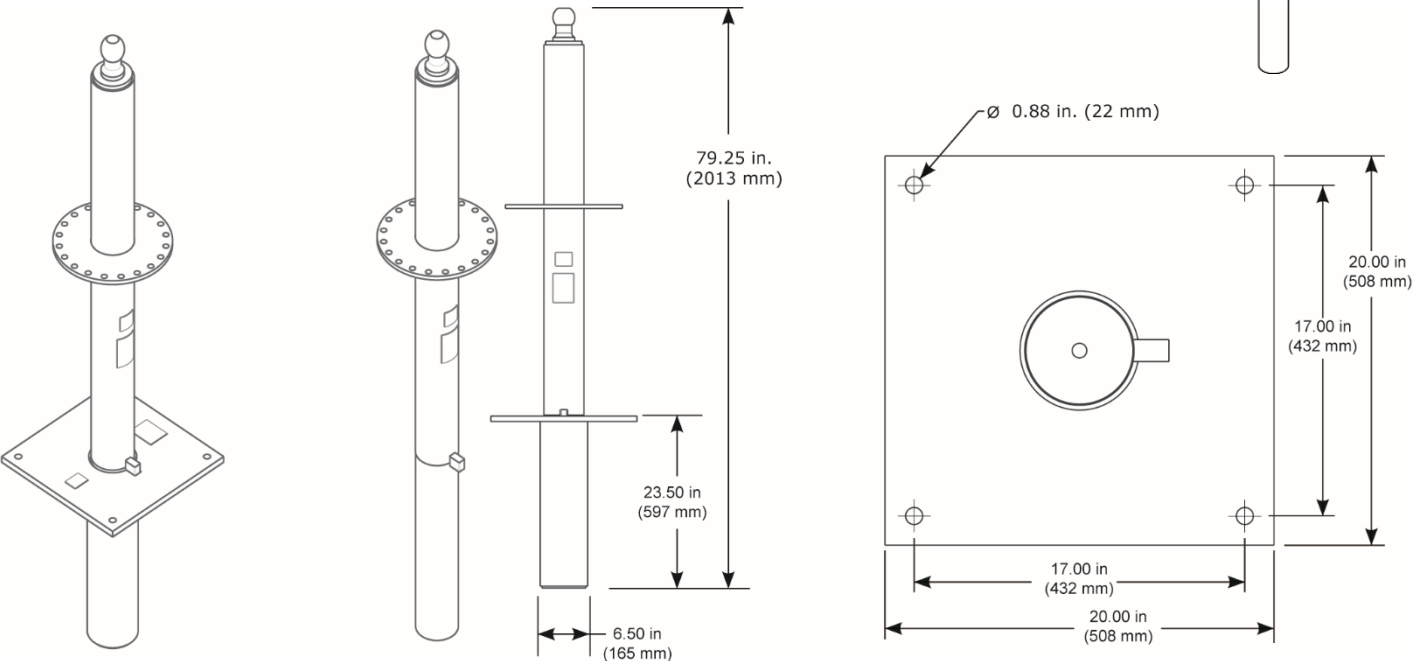
	Teža
8530920	140 lb. (64 kg)



	Teža
8530921	237 lb. (107 kg)



	Teža
8530889	377 lb. (171 kg)

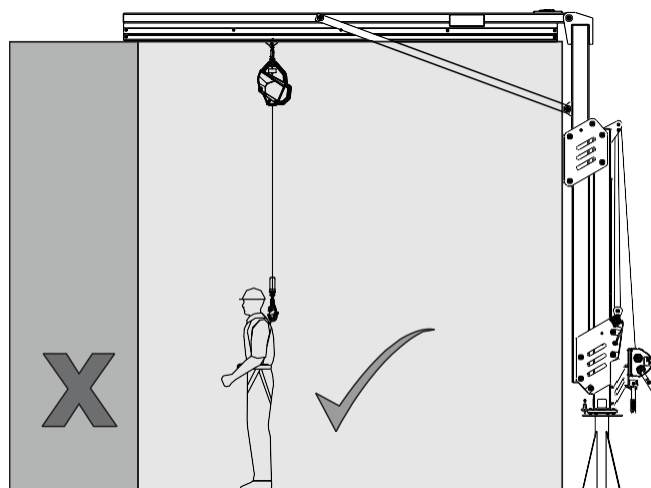
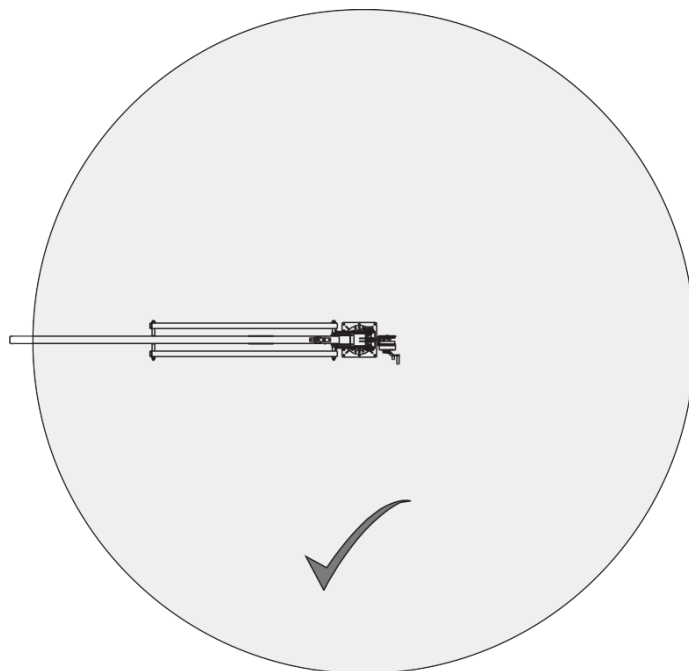


Seznam komponent				
	Številka dela	Opis	Material	Količina
1	9515114	Nalepka za uporabnika	Poliester	1
2	9514429	ID nalepka	Poliester	1
3	8550165	Pokrov osnove	Aluminij, Guma	1

Zahteve za montažo	
Minimalna obremenitev momenta montažne strukture	Minimalna vertikalna obremenitev montažne strukture
501,633 in-lb. (56,677 N-m)	3,320 lb. (1,506 kg) + Teža osnove + Teža roke žerjava M200

UPORABA:

Glejte diagram spodaj za delovno območje izdelka.



Komplet žepov za vilice

TEHNIČNI PODATKOVNI LIST: 8530912

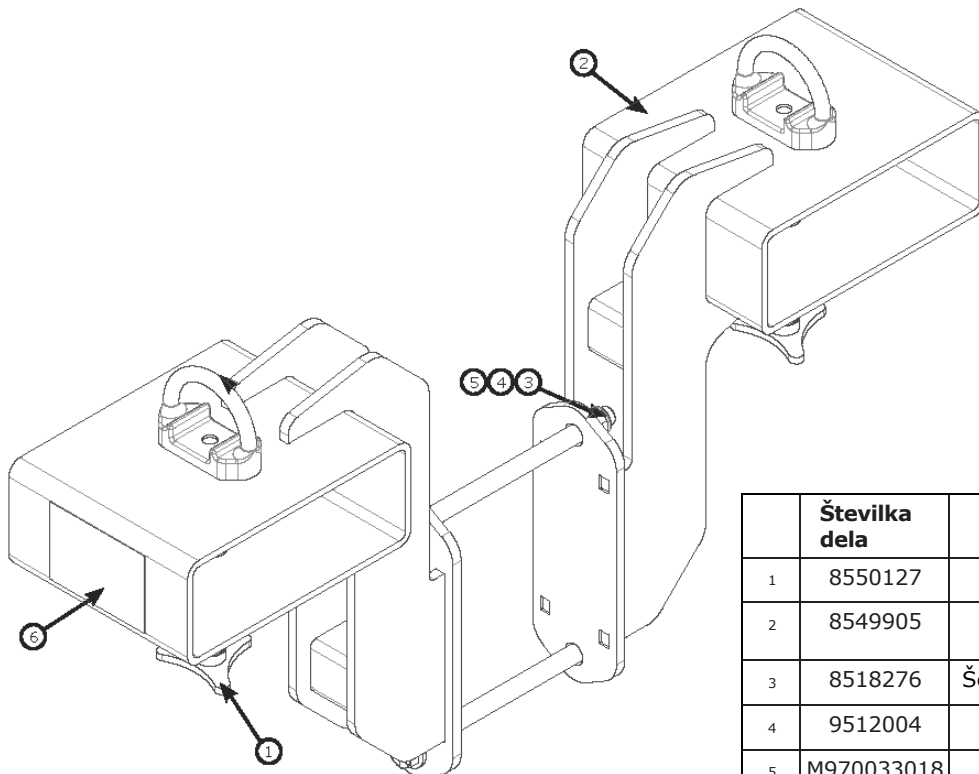
3M

**DBI
SALA**
Fall Protection

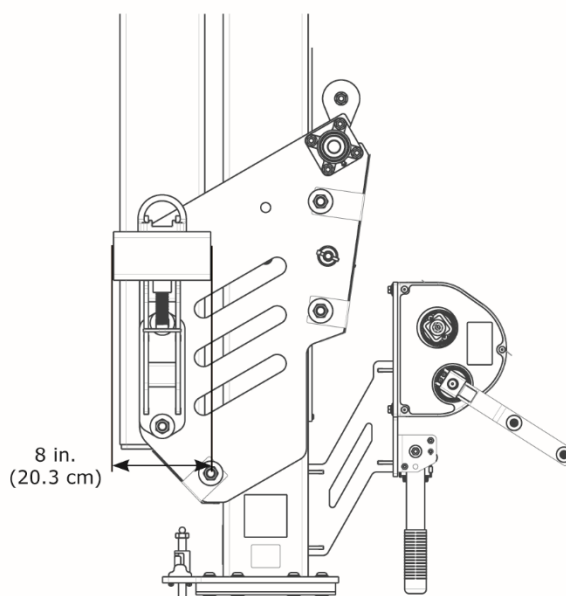
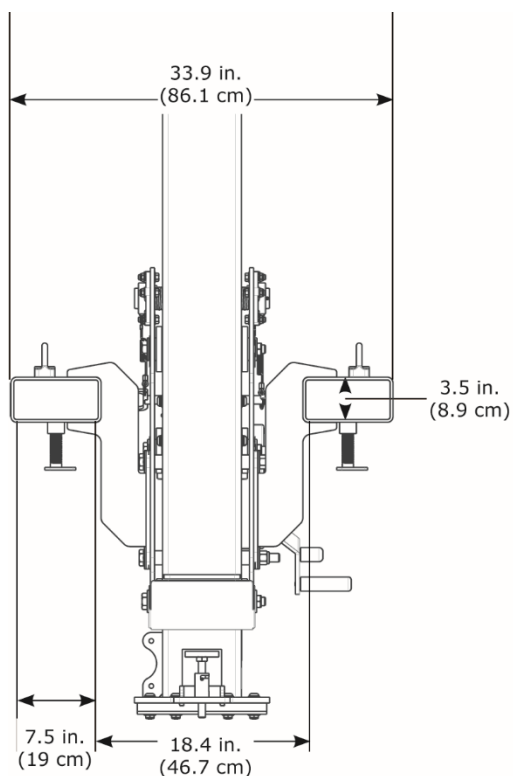
UPORABA:

Ta model kompleta žepov za vilice je zasnovan za transport modelov žerjavov z vitlom **8530891-8530898**.

Za več informacij o namestitvi komponent glejte navodila za uporabo.



	Številka dela	Komponenta	Količina
1	8550127	Tri-vijak	2
2	8549905	Varjeni del žepa za vilice	2
3	8518276	Šestkotna matica 3/4"	2
4	9512004	Vijak 3/4" x 12"	2
5	M970033018	Podložka 3/4"	4
6	9515122	Nalepka za uporabnika	1
	9500146	Člen verige	2
	8517096	Veriga	10 ft.



Komplet žepov za vilice

TEHNIČNI PODATKOVNI LIST: 8530925

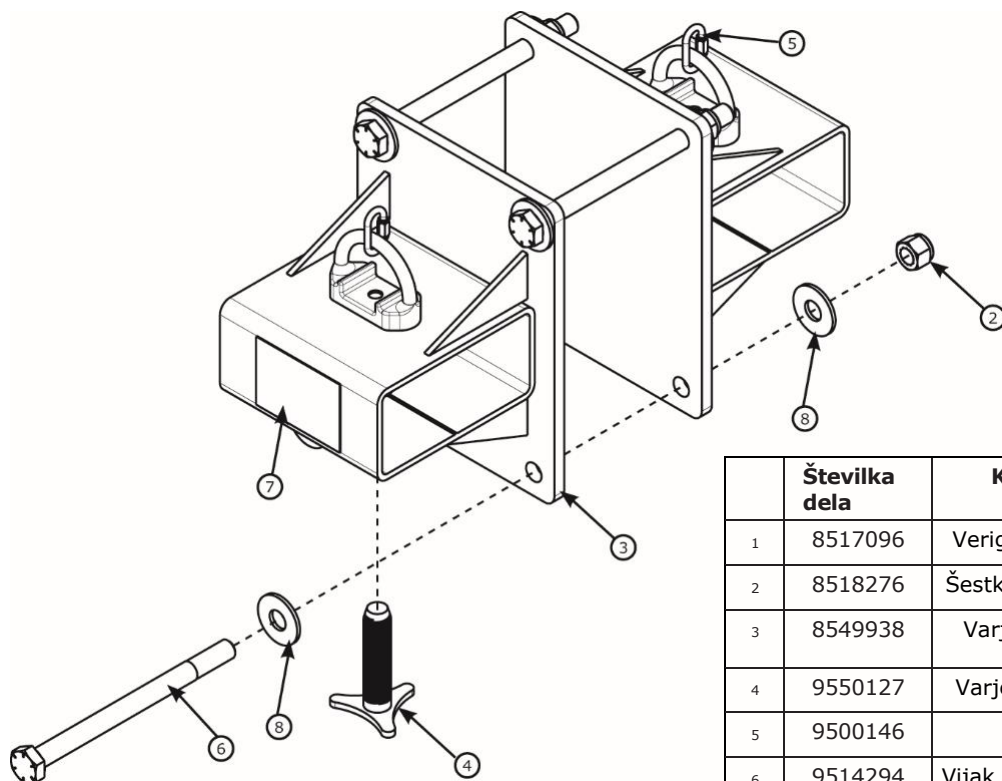
3M

**DBI
SALA®**
Fall Protection

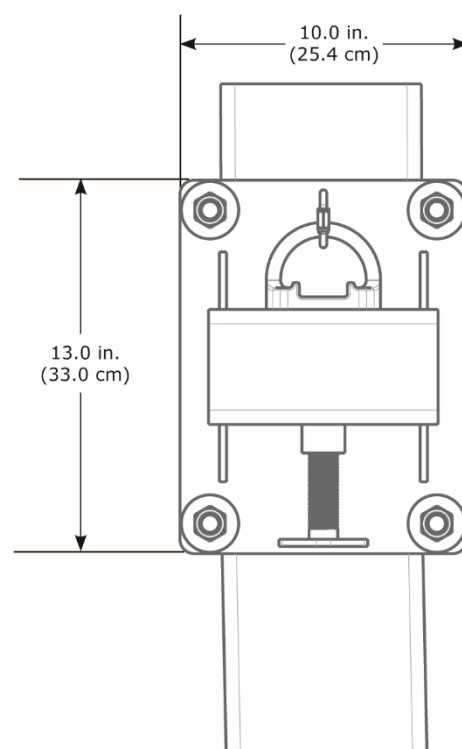
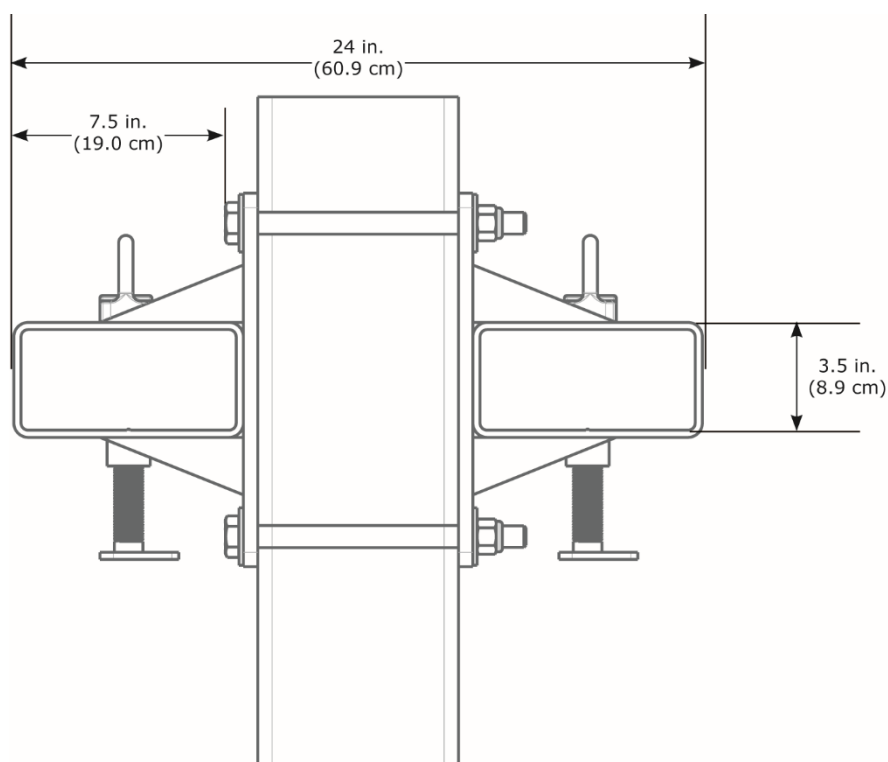
UPORABA:

Ta model kompleta žepov za vilice je zasnovan za transport žerjava z modeli prilagoditvenih kanalov **8530899–8530904**.

Za več informacij o namestitvi komponent glejte navodila za uporabo.



	Številka dela	Komponenta	Količina
1	8517096	Veriga (ni prikazana)	10 ft.
2	8518276	Šestkotna matica 3/4"	4
3	8549938	Varjeni del žepa za vilice	2
4	9550127	Varjeni del tri-vijaka	2
5	9500146	Hitri člen	2
6	9514294	Vijak s šestkotno glavo 3/4"	4
7	9515573	Opozorilna nalepka	1
8	M970033018	Podložka 3/4"	8



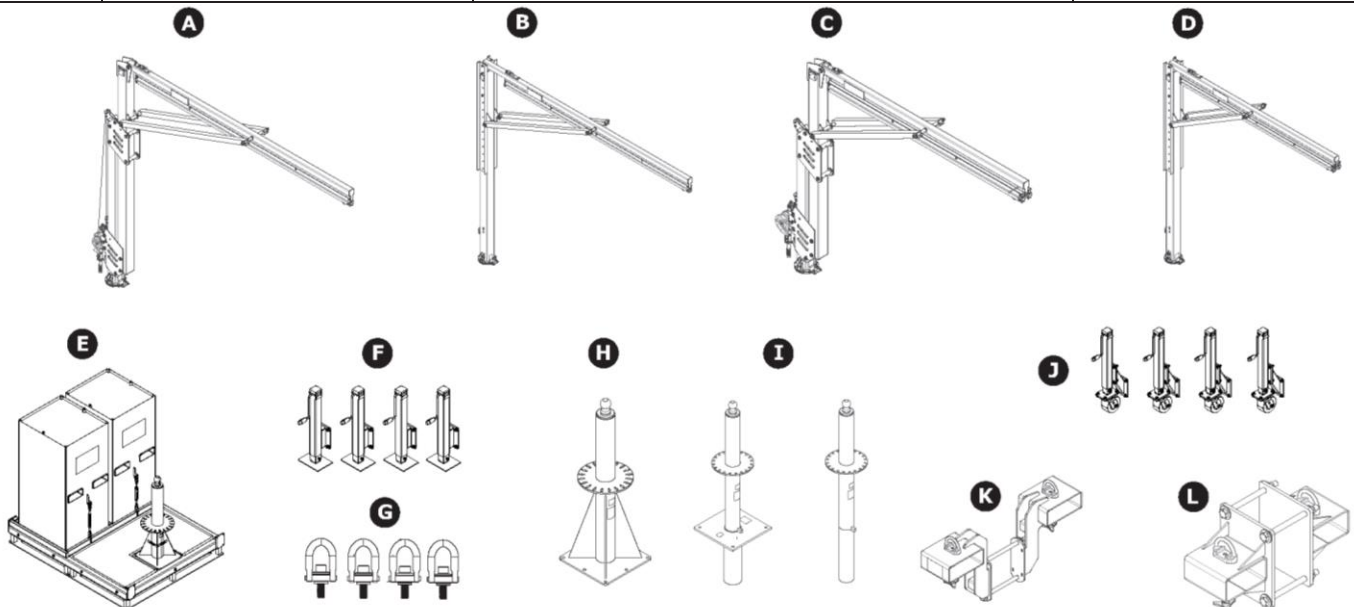


Fall Protection

**3M™ DBI-SALA®
Los sistemas de pescante M200**

**Hoja de Datos Técnicos Paquete
5908526 Rev. D**

Llamada	Hoja de Datos Técnicos	Descripción	Página
A	8530891	12.3 ft.–15 ft. (3.8 m–4.6 m) Pescante Ajustable	488
	8530892	14.8 ft.–20 ft. (4.5 m–6.1 m) Pescante Ajustable	488
	8530893	17.3 ft.–25 ft. (5.3 m–7.6 m) Pescante Ajustable	488
	8530894	19.8 ft.–30 ft. (6.1 m–9.1 m) Pescante Ajustable	488
B	8530899	15 ft.–20 ft. (4.6 m–6.1 m) Pescante Semi-Fijo	490
	8530900	20 ft.–25 ft. (6.1 m–7.6 m) Pescante Semi-Fijo	490
	8530901	25 ft.–30 ft. (7.6 m–9.1 m) Pescante Semi-Fijo	490
C	8530895	12.3 ft.–15 ft. (3.8 m–4.6 m) Pescante Ajustable	492
	8530896	14.8 ft.–20 ft. (4.5 m–6.1 m) Pescante Ajustable	492
	8530897	17.3 ft.–25 ft. (5.3 m–7.6 m) Pescante Ajustable	492
	8530898	19.8 ft.–30 ft. (6.1 m–9.1 m) Pescante Ajustable	492
D	8530902	15 ft.–20 ft. (4.6 m–6.1 m) Pescante Semi-Fijo	494
	8530903	20 ft.–25 ft. (6.1 m–7.6 m) Pescante Semi-Fijo	494
	8530904	25 ft.–30 ft. (7.6 m–9.1 m) Pescante Semi-Fijo	494
E	8530886	Base de Contrapeso Sin Llenar	496
	8530887	Base de Contrapeso Llena	496
F	8530907	Gatos de Base de Contrapeso	498
G	8530777	Anillos de Elevación de Base de Contrapeso	498
H	8530888	Base de Montaje en Piso	500
I	8530889, 8530920, 8530921	Base de Montaje al Ras	501
J	8530908	Ruedas de Base de Contrapeso	498
K	8530912	Kit de Bolsillo para Horquillas	503
L	8530925	Kit de Bolsillo para Horquillas	504



Pescante Ajustable

HOJA DE DATOS TÉCNICOS: 8530891-8530894



APLICACIÓN:

El pescante está diseñado para proporcionar puntos de conexión de anclaje para un sistema de protección contra caídas.

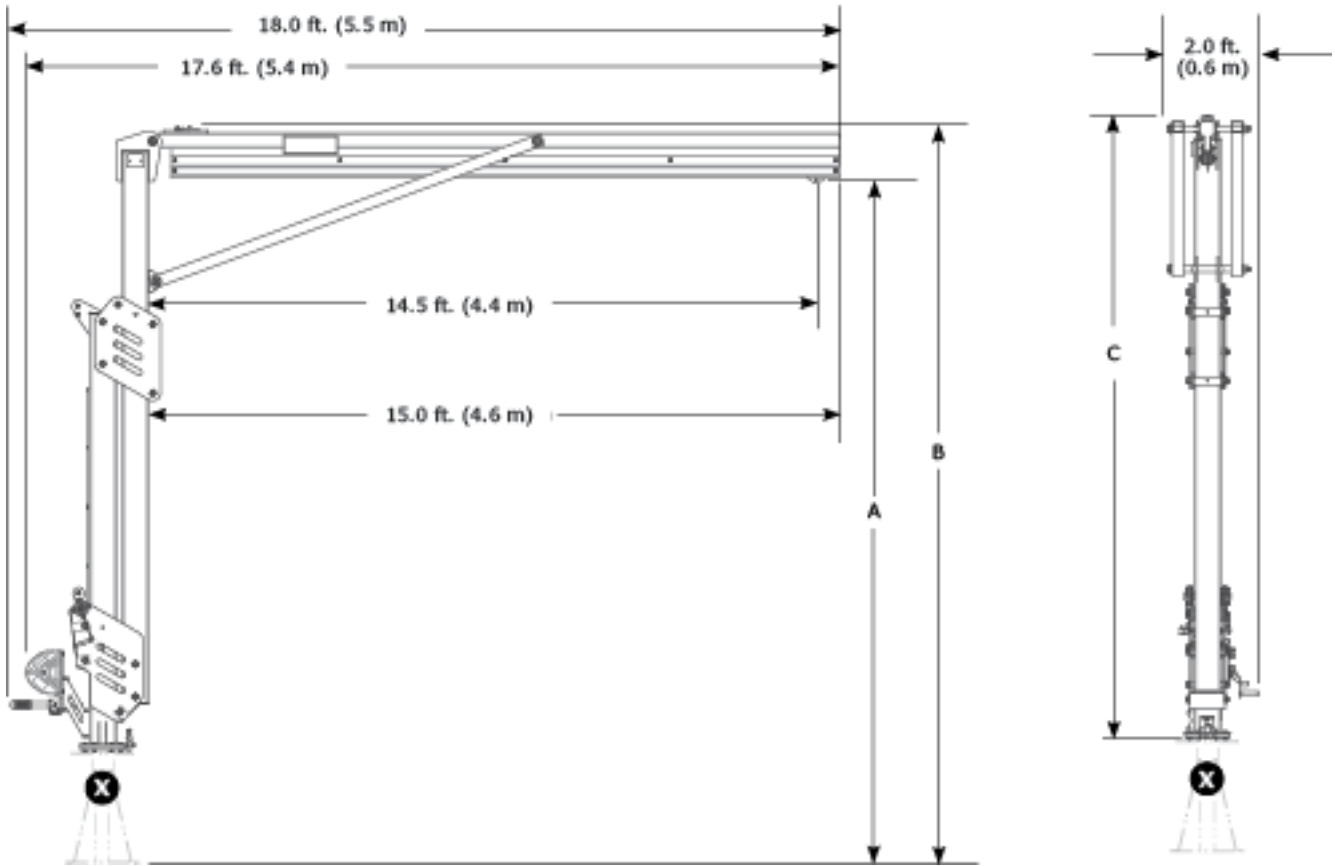
Para obtener más información sobre la instalación del producto, consulte las instrucciones del usuario.

Normas: EN795:2012 Tipo E, OSHA 1910.140, OSHA 1926.502

≤ 1350 lb.
(6 kN)

≤ 310 lb.
(140 kg)

1x



	A	B	C	lb. (kg)
8530891	12.3 ft. – 15.0 ft. (3.8 m – 4.6 m)	13.4 ft. – 16.1 ft. (4.1 m – 4.9 m)	9.8 ft. – 14.8 ft. (3.0 m – 4.5 ft.)	945 lb. (429 kg)
8530892	14.8 ft. – 20.0 ft. (4.5 m – 6.1 m)	15.9 ft. – 21.1 ft. (4.8 m – 6.4 m)	13.5 ft. – 18.7 ft. (4.1 m – 5.7 m)	1,057 lb. (479 kg)
8530893	17.3 ft. – 25.0 ft. (5.3 m – 7.6 m)	18.4 ft. – 26.1 ft. (5.6 m – 8.0 m)	16.0 – 23.7 ft. (4.9 m – 7.2 m)	1,169 lb. (530 kg)
8530894	19.8 ft. – 30.0 ft. (6.0 m – 9.1 m)	20.9 ft. – 31.1 ft. (6.4 m – 9.5 m)	18.5 ft. – 28.7 ft. (5.6 m – 8.7 m)	1,281 lb. (581 kg)

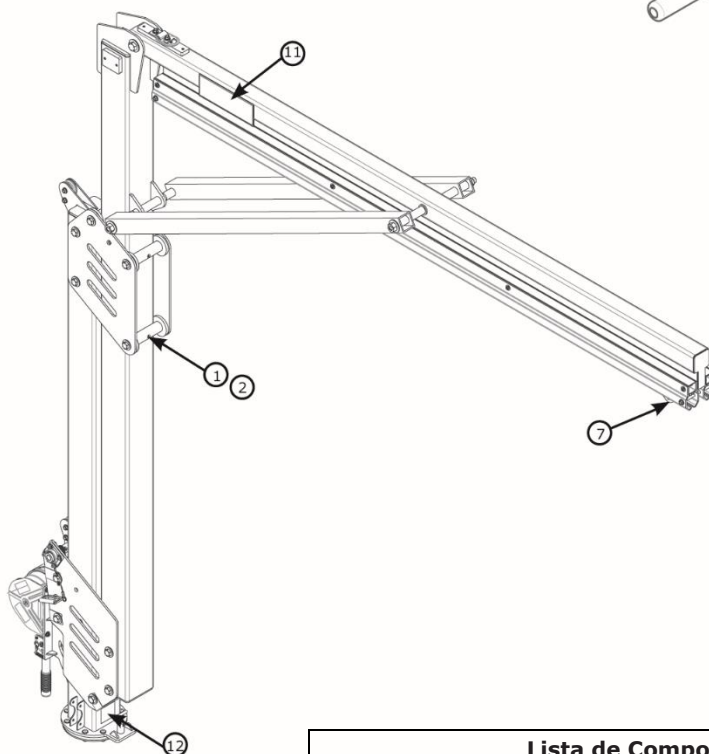
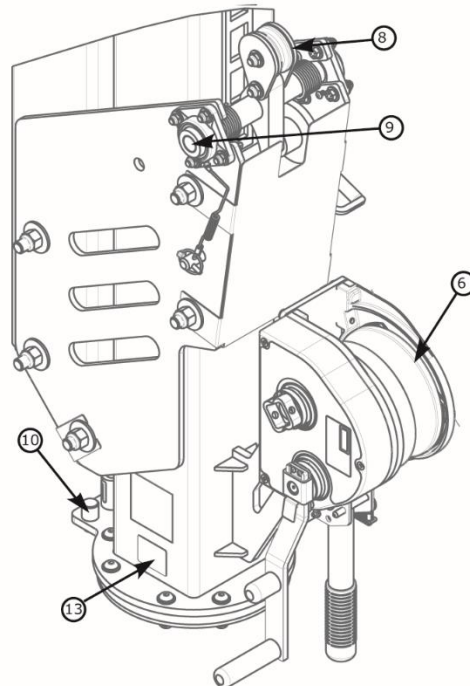
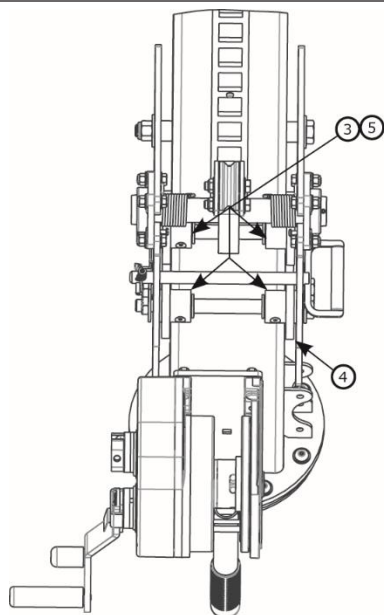
Componentes del Pescante Ajustable

HOJA DE DATOS TÉCNICOS: 8530891-8530894

3M

**DBI
SALA**

Fall Protection



Lista de Componentes				
	Número de Parte	Descripción	Material	Cantidad
1	8550046	Rodillo Ancho	Nylon	3
2	8550047	Espaciador de Rodillo Ancho	Acero Inoxidable 304	3
3	8550327	Rodillo Estrecho	Nylon	2
4	9514703	Rodillo Lateral	Nylon	8
5	8550213	Espaciador de Rodillo Estrecho	Acero Inoxidable 304	2
6	8549930	Winche	Acero	1
7	8521711	Carro	Acero, Nylon	1

Lista de Componentes				
	Número de Parte	Descripción	Material	Cantidad
8	8550223	Mecanismo de Bloqueo (solo reparación autorizada)	Acero, Nylon	1
9	9515138	Rodamientos	Acero	2
10	8550398	Tope de Rotación	Aluminio	2
11	9515111	Etiqueta 3M	Poliéster	2
12	9515101	Etiqueta de Rotación	Poliéster	1
13	9514429	Etiqueta de Identificación	Poliéster	1
14	9515112	Etiqueta de Usuario	Poliéster	1

Pescante Semi-Fijo

HOJA DE DATOS TÉCNICOS: 8530899-8530901



APLICACIÓN:

El pescante está diseñado para proporcionar puntos de conexión de anclaje para un sistema de protección contra caídas.

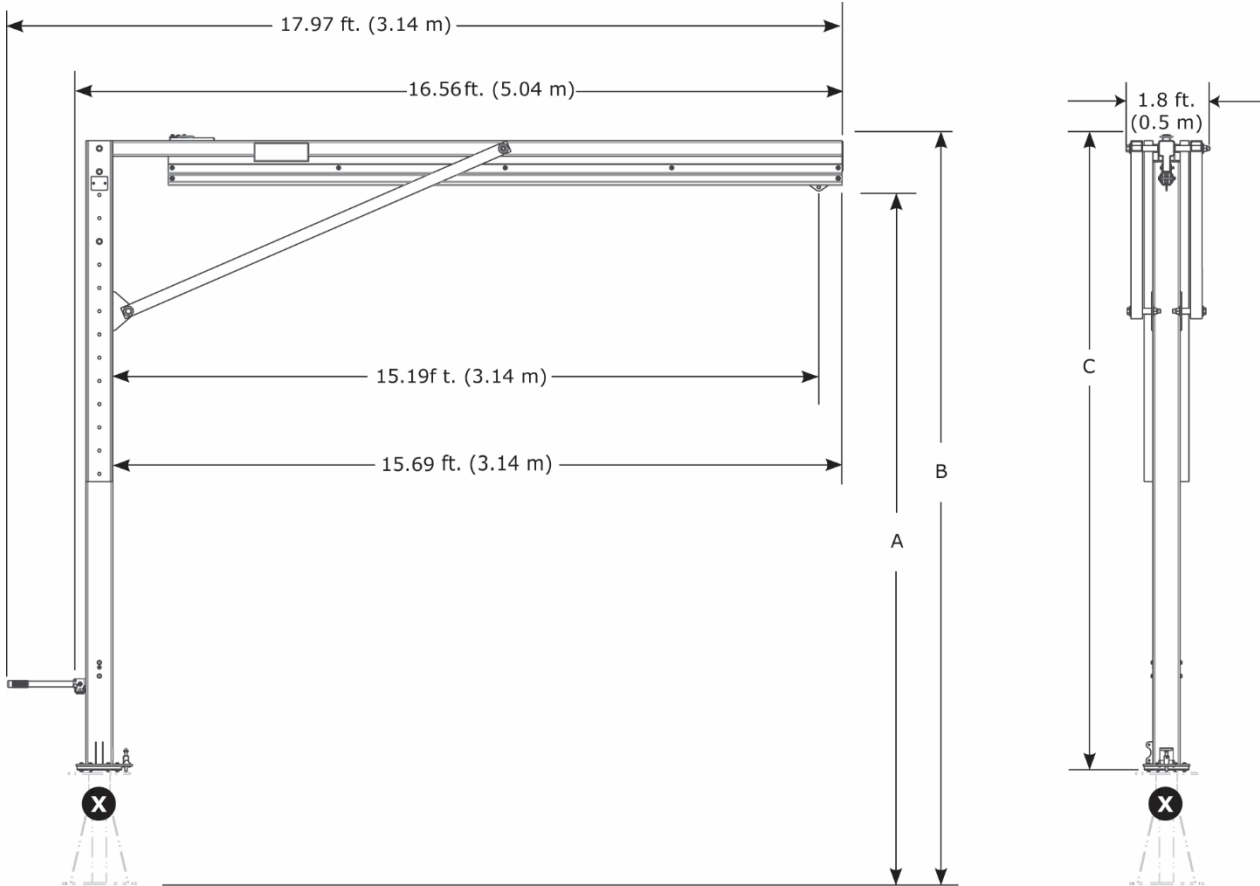
Para obtener más información sobre la instalación del producto, consulte las instrucciones del usuario.

Normas: EN795:2012 Tipo E, OSHA 1910.140, OSHA 1926.502

≤ 1350 lb.
(6 kN)

≤ 310 lb.
(140 kg)

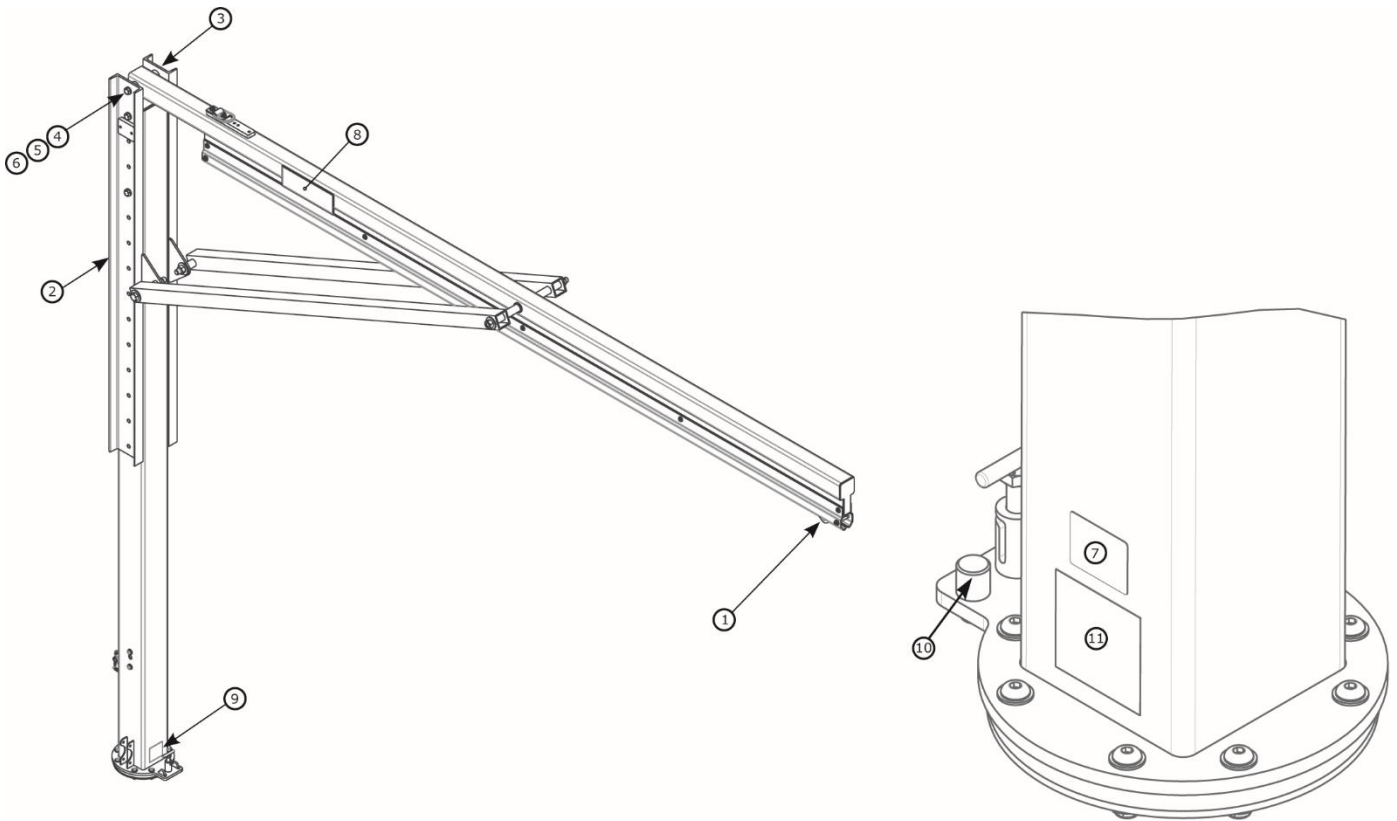
1x



	A	B	C	lb. (kg)
8530899	15.0 ft. – 20.0 ft. (4.6 m – 6.1 m)	16.1 ft. – 21.1 ft. (4.9 m – 6.4 m)	13.7 ft. – 18.7 ft. (4.2 m – 5.7 m)	818 lb. (371 kg)
8530900	20.0 ft. – 25.0 ft. (6.1 m – 7.6 m)	21.1 ft. – 26.1 ft. (6.4 m – 7.9 m)	18.7 ft. – 23.7 ft. (5.7 m – 7.2 m)	930 lb. (422 kg)
8530901	25.0 ft. – 30.0 ft. (7.6 m – 9.1 m)	26.1 ft. – 31.1 ft. (7.9 m – 9.6 m)	23.7 ft. – 28.7 ft. (7.2 m – 8.7 m)	1,041 lb. (472 kg)
	+6" (152 mm) incrementos de ajuste			

Componentes del Pescante Semi-Fijo

HOJA DE DATOS TÉCNICOS: 8530899-8530901



	Número de Parte	Descripción	Material	Cantidad		Número de Parte	Descripción	Material	Cantidad
1	8521711	Carro	Acero Inoxidable, Acero, Nylon	1	8	9515111	Etiqueta 3M	Poliéster	2
2	8549933	Canal de Montaje de Rescate	Acero	1	9	9515101	Etiqueta de Rotación	Poliéster	1
3	8550248	Canal	Acero	1	10	8550398	Tope de Rotación	Aluminio	2
4	8526654	Perno de 3/4" x 9"	Acero	2	11	9515112	Etiqueta de Usuario	Poliéster	1
5	8522275	Arandela de 3/4"	Acero	4					
6	8518276	Tuerca de 3/4"	Acero	2					
7	9514429	Etiqueta de Identificación	Poliéster	1					

Pescante Ajustable

HOJA DE DATOS TÉCNICOS: 8530895-8530898



APLICACIÓN:

El pescante está diseñado para proporcionar puntos de conexión de anclaje para un sistema de protección contra caídas.

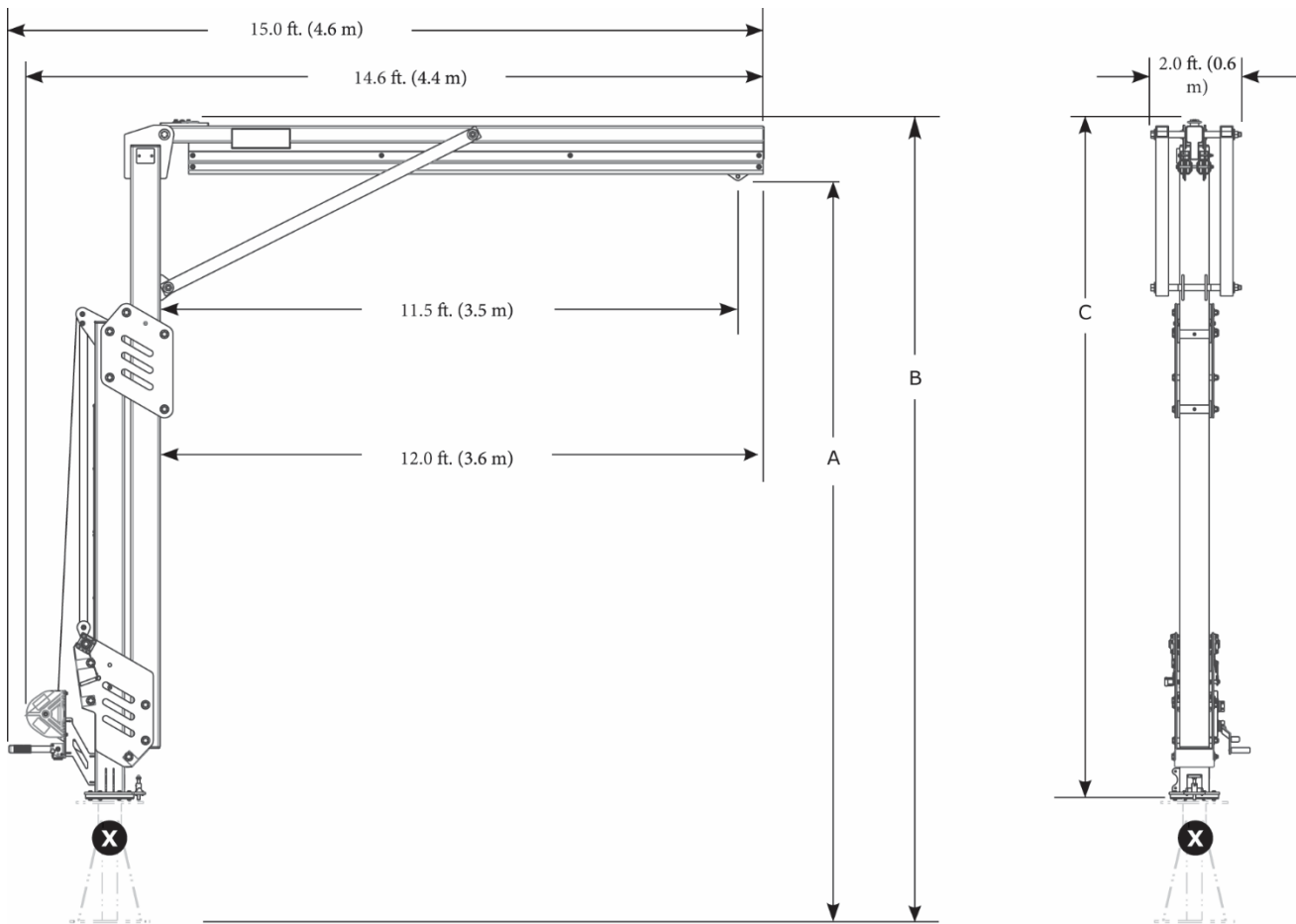
Para obtener más información sobre la instalación del producto, consulte las instrucciones del usuario.

Normas: CEN/TS 16415:2013 Tipo E, EN795:2012 Tipo E, OSHA 1910.140, OSHA 1926.502

≤ 1350 lb.
(6 kN)

≤ 310 lb.
(140 kg)

2x



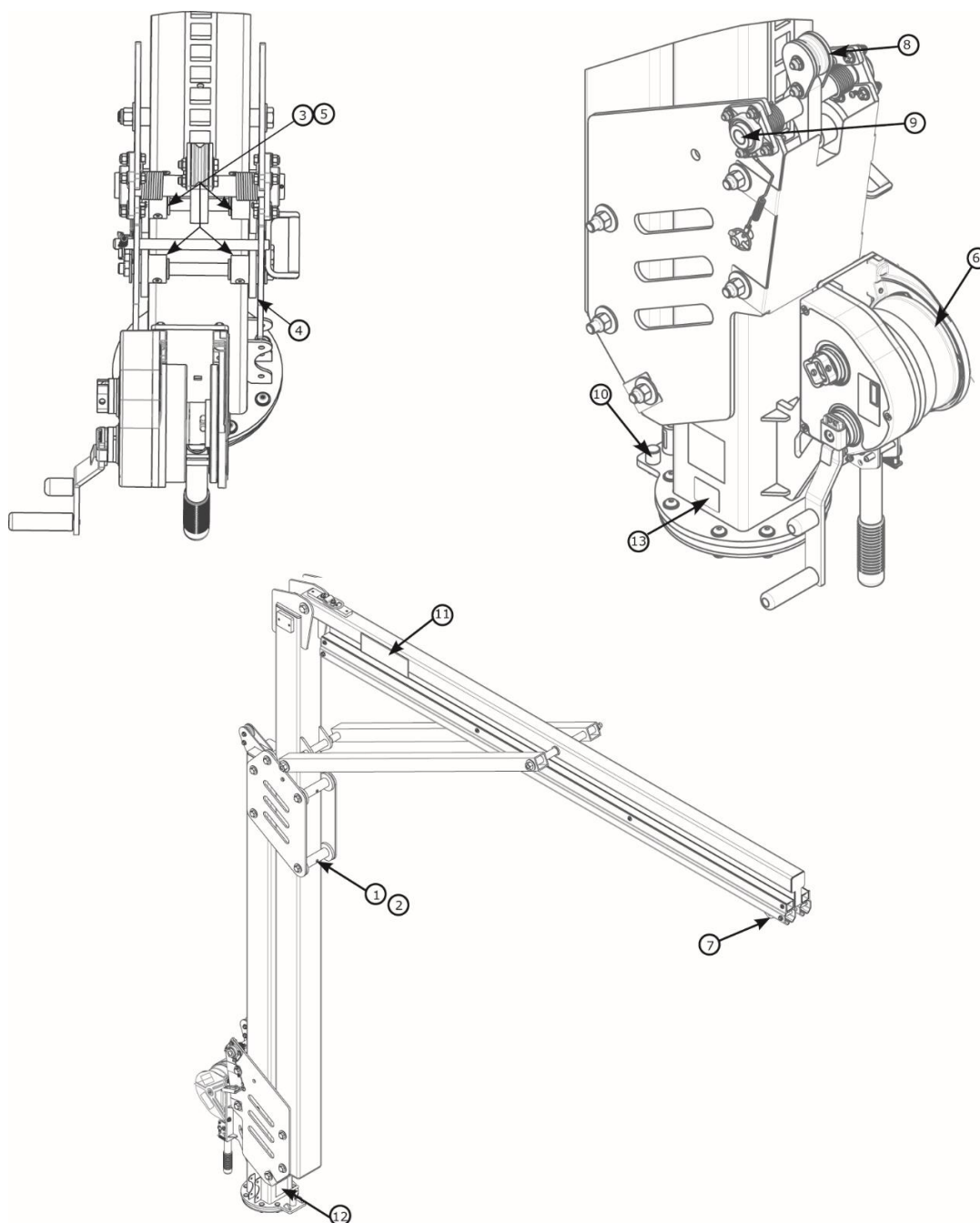
	A	B	C	lb. (kg)
8530895	12.3 ft. - 15.0 ft. (3.8 m - 4.6 m)	13.4 ft. - 16.1 ft. (4.1 m - 4.9 m)	11.0 ft. - 13.7 ft. (3.4 m - 4.2 ft.)	1,011 lb. (459 kg)
8530896	14.8 ft. - 20.0 ft. (4.5 m - 6.1 m)	15.9 ft. - 21.1 ft. (4.8 m - 6.4 m)	13.5 ft. - 18.7 ft. (4.1 m - 5.7 m)	1,123 lb. (509 kg)
8530897	17.3 ft. - 25.0 ft. (5.3 m - 7.6 m)	18.4 ft. - 26.1 ft. (5.6 m - 8.0 m)	16.0 - 23.7 ft. (4.9 m - 7.2 m)	1,235 lb. (560 kg)
8530898	19.8 ft. - 30.0 ft. (6.0 m - 9.1 m)	20.9 ft. - 31.1 ft. (6.4 m - 9.5 m)	18.5 ft. - 28.7 ft. (5.6 m - 8.7 m)	1,343 lb. (609 kg)

Componentes del Pescante Ajustable

HOJA DE DATOS TÉCNICOS: 8530895-8530898

3M

**DBI
SALA**
Fall Protection



Lista de Componentes				
	Número de Parte	Descripción	Material	Cantidad
1	8550046	Rodillo Ancho	Nylon	3
2	8550047	Espaciador de Rodillo Ancho	Acero Inoxidable 304	3
3	8550327	Rodillo Estrecho	Nylon	2
4	9514703	Rodillo Lateral	Nylon	8
5	8550213	Espaciador de Rodillo Estrecho	Acero Inoxidable 304	2
6	8549930	Winche	Acero	1
7	8521711	Carro	Acero, Nylon	1

Lista de Componentes				
	Número de Parte	Descripción	Material	Cantidad
8	8550223	Mecanismo de Bloqueo (solo reparación autorizada)	Acero, Nylon	1
9	9515138	Rodamientos	Acero	2
10	8550398	Tope de Rotación	Aluminio	2
11	9515111	Etiqueta 3M	Poliéster	2
12	9515101	Etiqueta de Rotación	Poliéster	1
13	9514429	Etiqueta de Identificación	Poliéster	1
14	9515112	Etiqueta de Usuario	Poliéster	1

Pescante Semi-Fijo

HOJA DE DATOS TÉCNICOS: 8530902-8530904



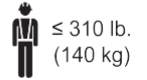
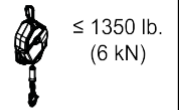
Fall Protection

APLICACIÓN:

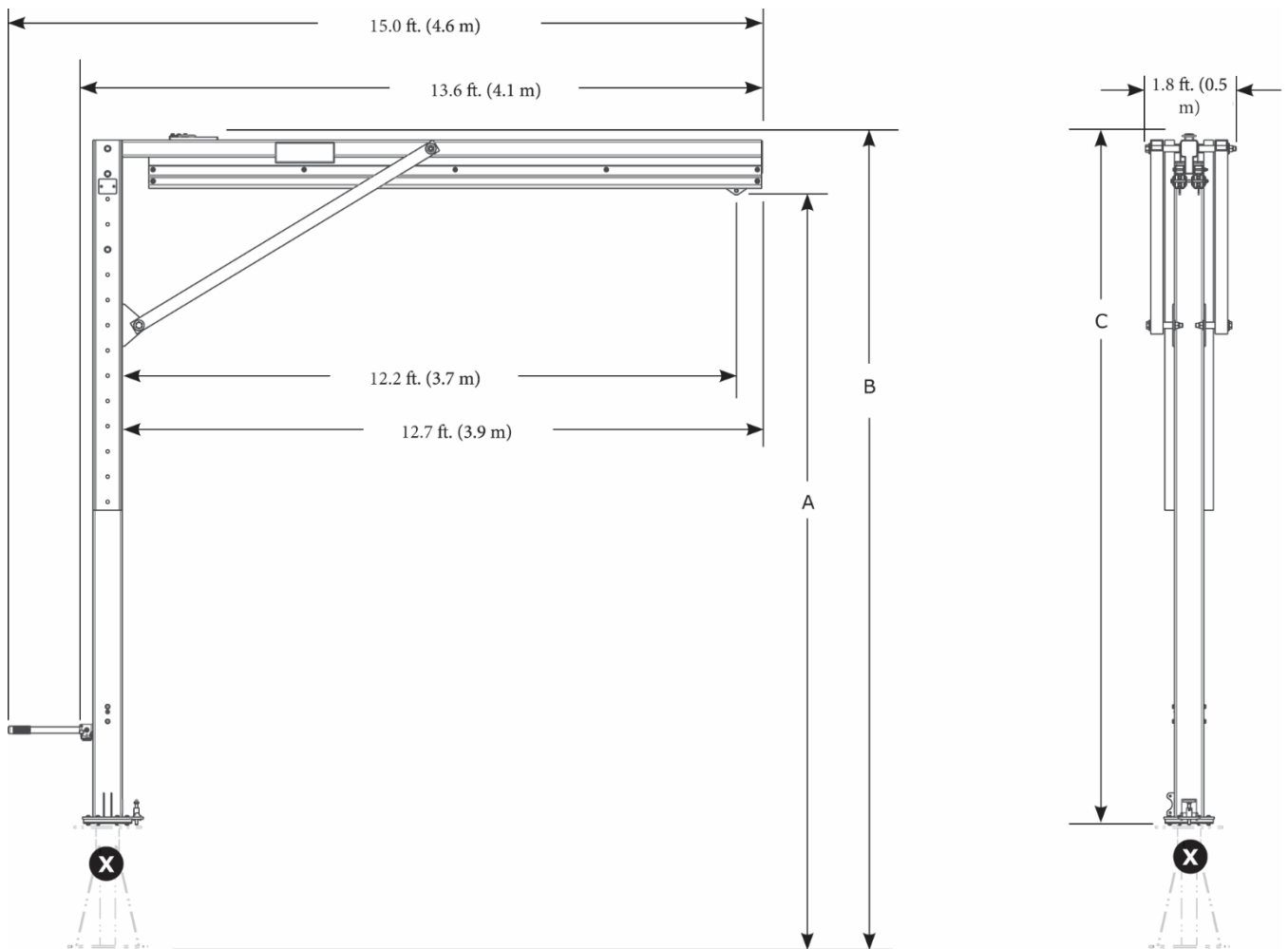
El pescante está diseñado para proporcionar puntos de conexión de anclaje para un sistema de protección contra caídas.

Para obtener más información sobre la instalación del producto, consulte las instrucciones del usuario.

Normas: CEN/TS 16415:2013 Tipo E, EN795:2012 Tipo E, OSHA 1910.140, OSHA 1926.502



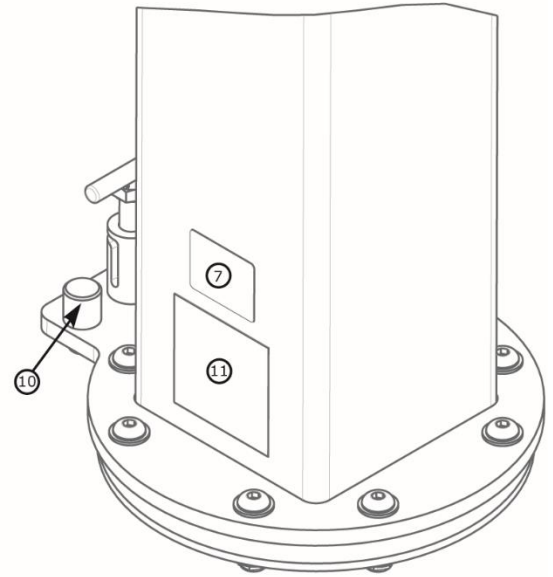
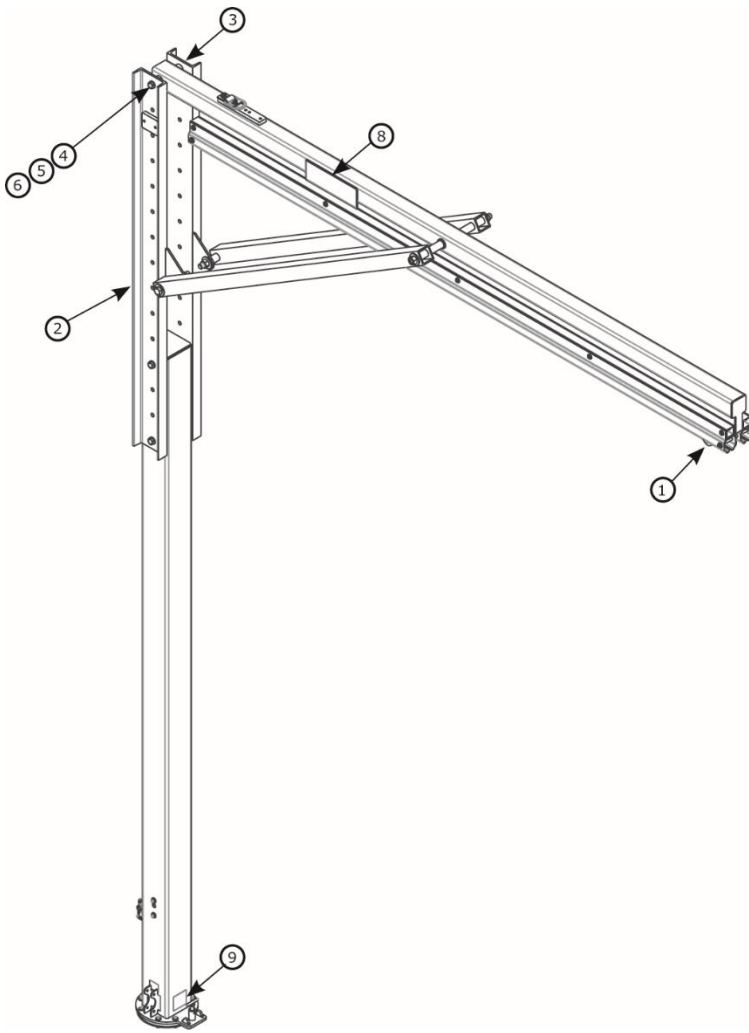
2x



	A	B	C	lb. (kg)
8530902	15.0 ft. – 20.0 ft. (4.6 m – 6.1 m)	16.1 ft. – 21.1 ft. (4.9 m – 6.4 m)	13.7 ft. – 18.7 ft. (4.2 m – 5.7 m)	850 lb. (386 kg)
8530903	20.0 ft. – 25.0 ft. (6.1 m – 7.6 m)	21.1 ft. – 26.1 ft. (6.4 m – 7.9 m)	18.7 ft. – 23.7 ft. (5.7 m – 7.2 m)	961 lb. (436 kg)
8530904	25.0 ft. – 30.0 ft. (7.6 m – 9.1 m)	26.1 ft. – 31.1 ft. (7.9 m – 9.6 m)	23.7 ft. – 28.7 ft. (7.2 m – 8.7 m)	1,073 lb. (487 kg)

Componentes del Pescante Semi-Fijo

HOJA DE DATOS TÉCNICOS: 8530902-8530904



	Número de Parte	Descripción	Material	Cantidad
1	8521711	Carro	Acero Inoxidable, Acero, Nylon	1
2	8549933	Canal de Montaje de Rescate	Acero	1
3	8550248	Canal	Acero	1
4	8526654	Perno de 3/4" x 9"	Acero	2
5	8522275	Arandela de 3/4"	Acero	4
6	8518276	Tuerca de 3/4"	Acero	2
7	9514429	Etiqueta de Identificación	Poliéster	1

	Número de Parte	Descripción	Material	Cantidad
8	9515111	Etiqueta 3M	Poliéster	2
9	9515101	Etiqueta de Rotación	Poliéster	1
10	8550398	Tope de Rotación	Aluminio	2
11	9515112	Etiqueta de Usuario	Poliéster	1

Base de Contrapeso M200

HOJA DE DATOS TÉCNICOS: 8530886, 8530887



APLICACIÓN:

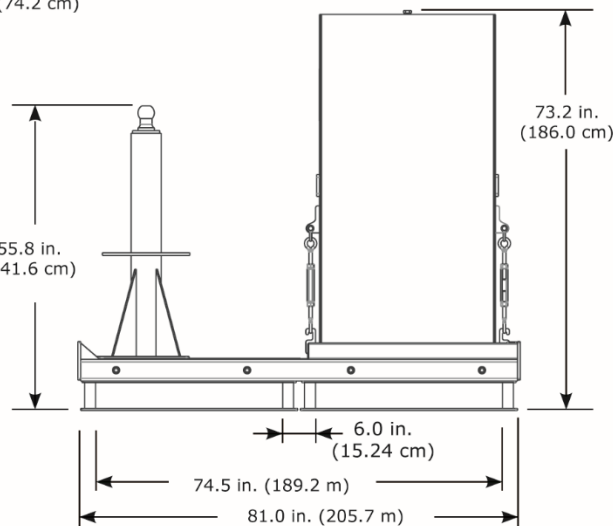
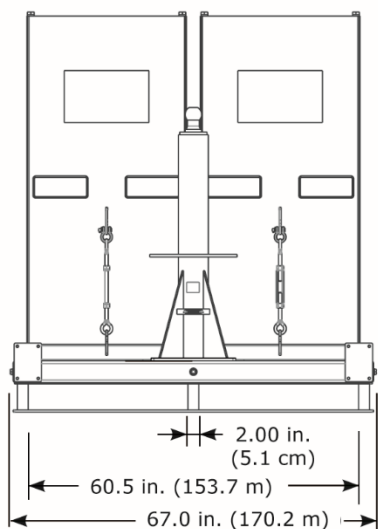
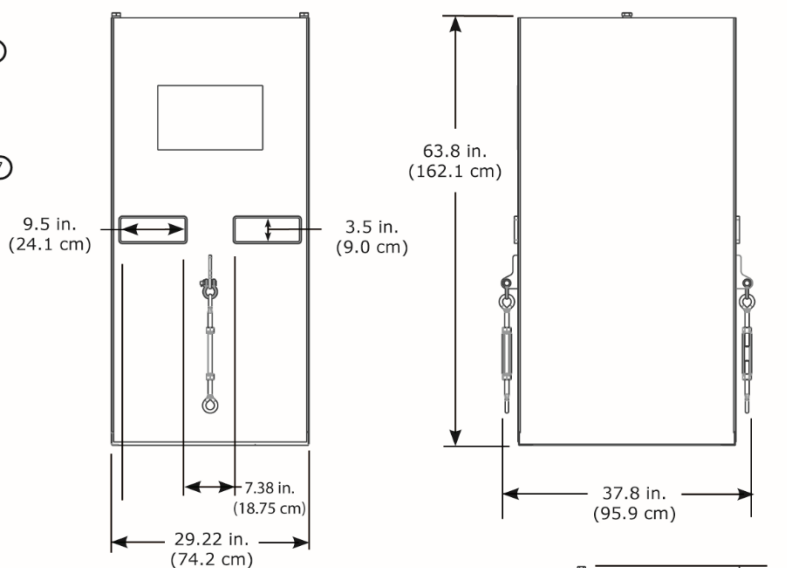
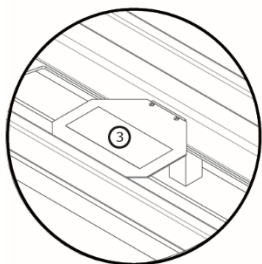
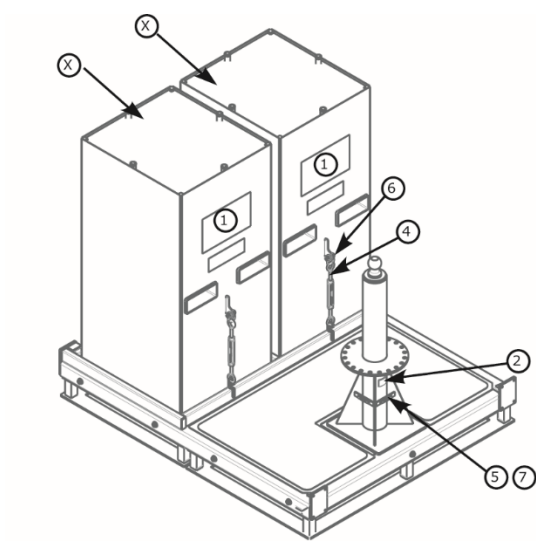
La base del pescante está diseñada para ser utilizada como un punto de montaje para el sistema de pescante.

Para obtener más información sobre la instalación del producto, consulte las instrucciones del usuario.

Normas: CEN/TS 16415:2013 Tipo E, EN795:2012 Tipo E, OSHA 1910.140, OSHA 1926.502

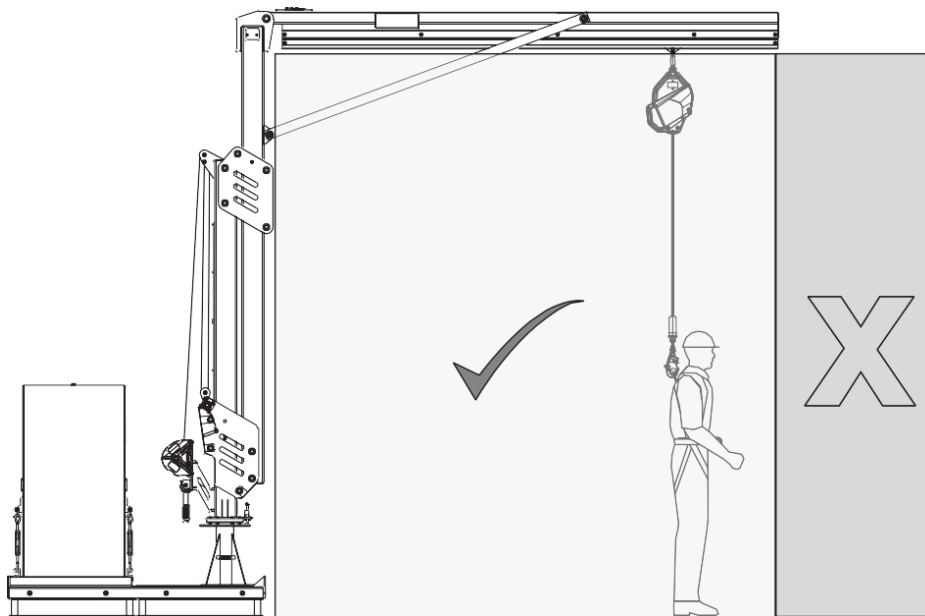
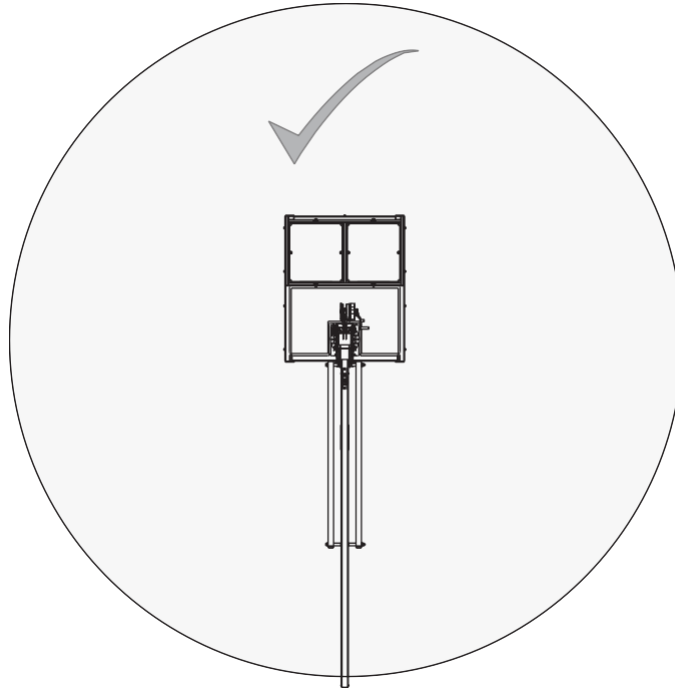
	X 4,000 psi (30 MPa)	Requisitos de la Estructura de Apoyo	Peso
8530886		14,645 lb. (6,643 kg)	2,407 lb. (1,092 kg)
8530887	✓	+ Peso del Brazo de Grúa M200	11,325 lb. (5,137 kg)

Lista de Componentes				
	Número de Parte	Descripción	Material	Cantidad
1	9515107	Etiqueta de Usuario	Poliéster	1
2	9514429	Etiqueta de Identificación	Poliéster	1
3	9515106	Etiqueta de Advertencia	Poliéster	1
4	8520575	Tensor	Acero	2
5	9513627	Tornillo #4	Acero	4
6	9501794	Grillete	Acero	2
7	9515058	Nivel de Burbuja	Plástico	2
8	9515566	Etiqueta de Advertencia	Poliéster	4



APLICACIÓN:

Consulte el diagrama a continuación para ver el área de trabajo del producto.

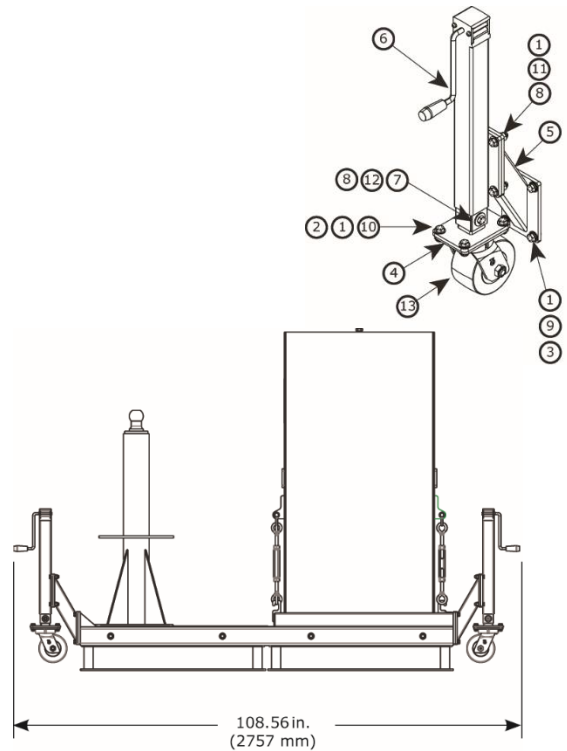


Accesorios de la Base de Contrapeso M200

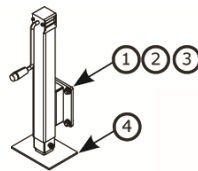
HOJA DE DATOS TÉCNICOS: 8530907, 8530908, 8530777



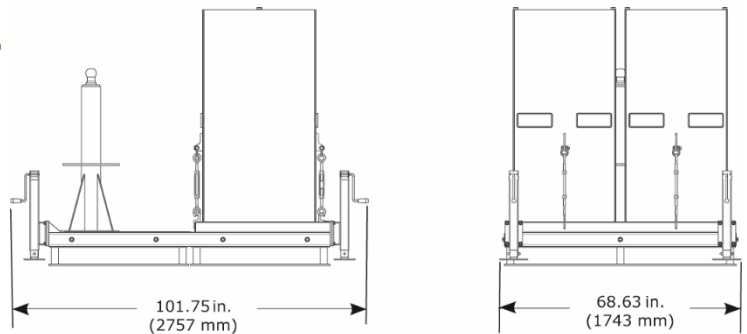
Lista de Componentes				
	Número de Parte	Descripción	Material	Cantidad
1	8510037	Arandela de 1/2"	Acero	80
2	8512460	Perno de 1/2" x 1 1/4"	Acero	16
3	8518432	Perno de 1/2" x 1"	Acero	16
4	8550153	Conjunto Soldado de Rueda	Acero	4
5	8550155	Conjunto Soldado en Ángulo	Acero	4
6	8550156	Conjunto Soldado Montado	Acero	4
7	9501243	Arandela de 1/2"	Acero	8
8	9501831	Tuerca Hexagonal de 1/2"	Acero	20
9	9504221	Arandela de 1/2"	Acero	16
10	9504813	Tuerca Hexagonal de 1/2"	Acero	16
11	9509276	Perno de 1/2" x 1 3/4"	Acero	16
12	9510153	Perno de 1/2" x 3 1/4"	Acero	4
13	9515081	Rueda Giratoria	Acero, Uretano	4



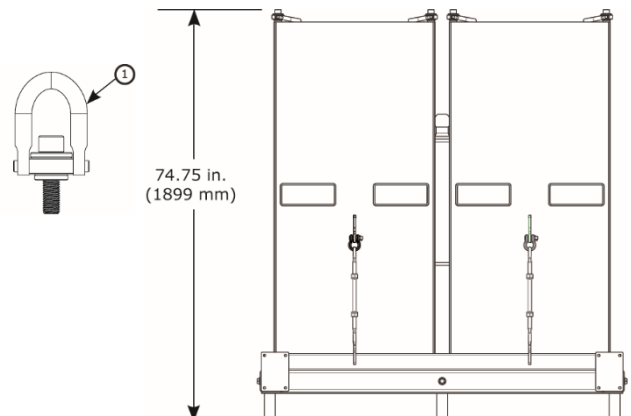
	8530907	8530908	8530777
Peso	108 lb. (49 kg)	152 lb. (69 kg)	12 lb. (5.4 kg)



	Número de Parte	Descripción	Material	Cantidad
1	9504221	Arandela de Seguridad de 1/2"	Acero	16
2	8510037	Arandela de 1/2"	Acero	16
3	8518432	Perno de 1/2" x 1"	Acero	16
4	8550177	Conjunto Soldado de Rueda	Acero	4





Lista de Componentes				
	Número de Parte	Descripción	Material	Cantidad
1	9512574	Anillo de Elevación	Acero	4

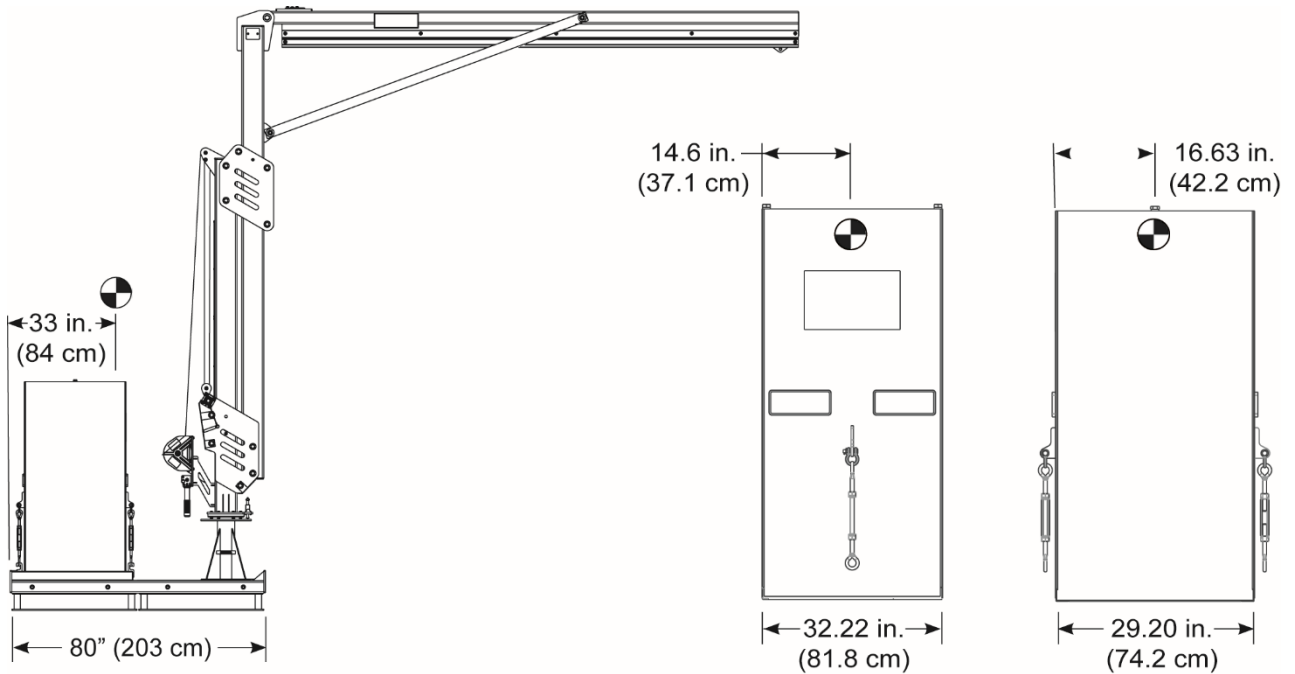



Centro de Gravedad de la Base de Contrapeso M200
HOJA DE DATOS TÉCNICOS: 8530886, 8530887




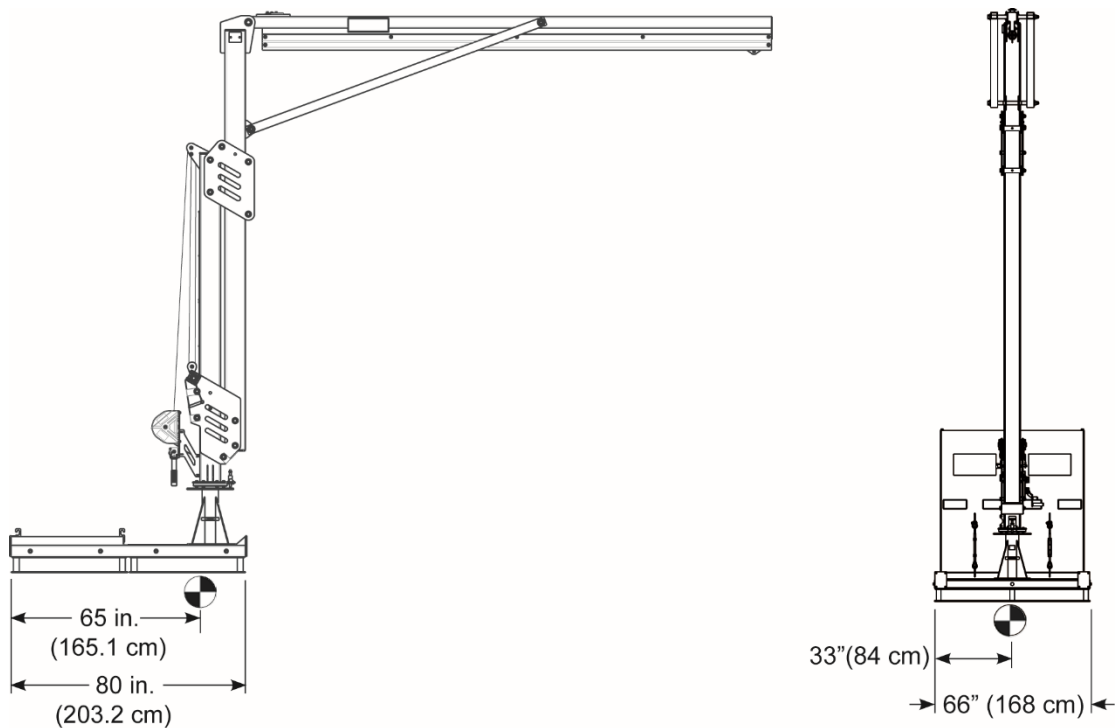
8530887	8530898
 .lb (kg)	12,668 lbs. (5,746 kg)

 .lb (kg)	5,000 lbs. (2,268 kg)
--	--------------------------



8530887	8530898
 .lb (kg)	2,668 lbs. (1,210 kg)

8530887	8530898
 .lb (kg)	12,668 lbs. (5,746 kg)



Base de Montaje en Piso M200

HOJA DE DATOS TÉCNICOS: 8530888



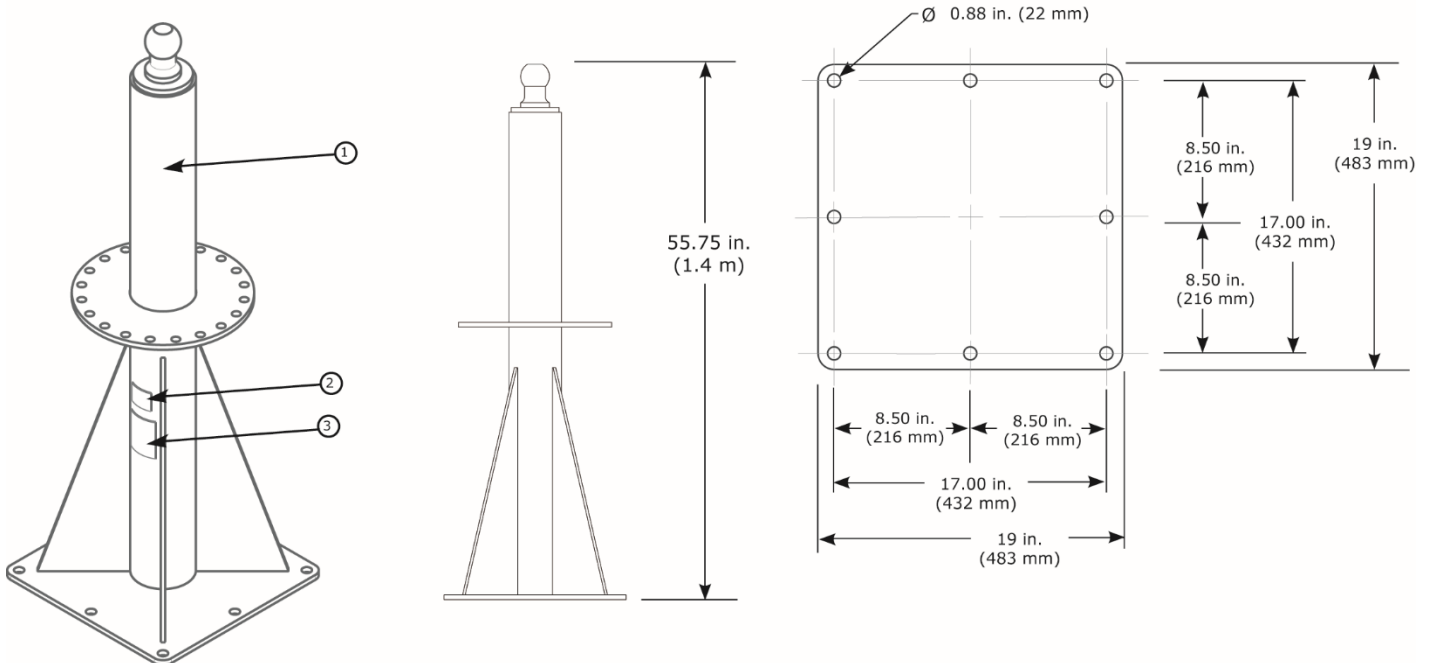
APLICACIÓN:

La base del pescante está diseñada para ser utilizada como un punto de montaje para el sistema de pescante.

Para obtener más información sobre la instalación del producto, consulte las instrucciones del usuario.

Normas: CEN/TS 16415:2013 Tipo A, EN795:2012 Tipo A, OSHA 1910.140, OSHA 1926.502

	Peso
8530888	265 lb. (120 kg)



Lista de Componentes				
	Número de Parte	Descripción	Material	Cantidad
1	8549921	Conjunto Soldado de Base	Acero	1
2	9514429	Etiqueta de Identificación	Poliéster	1
3	9515114	Etiqueta de Usuario	Poliéster	1

Requisitos de Montaje		
Fuerza Mínima de Extracción del Sujetador	Carga Mínima de Momento de la Estructura de Montaje	Carga Mínima Vertical de la Estructura de Montaje
9,386 lb. (4,257 kg)	501,633 in.-lb. (56,677 N-m)	3,320 lb. (1,506 kg) + Peso de la base + Peso del Brazo de Grúa M200

Base de Montaje al Ras M200

HOJA DE DATOS TÉCNICOS: 8530889, 8530920, 8530921



Fall Protection

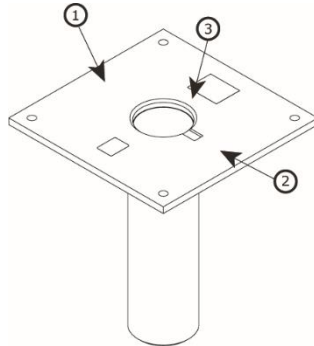
APLICACIÓN:

La base del pescante está diseñada para ser utilizada como un punto de montaje para el sistema de pescante.

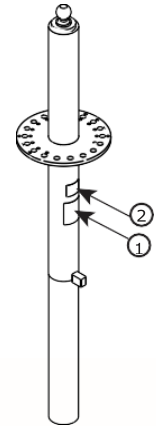
Para obtener más información sobre la instalación del producto, consulte las instrucciones del usuario.

Normas: CEN/TS 16415:2013, EN795:2012 Tipo A, OSHA 1910.140, OSHA 1926.502

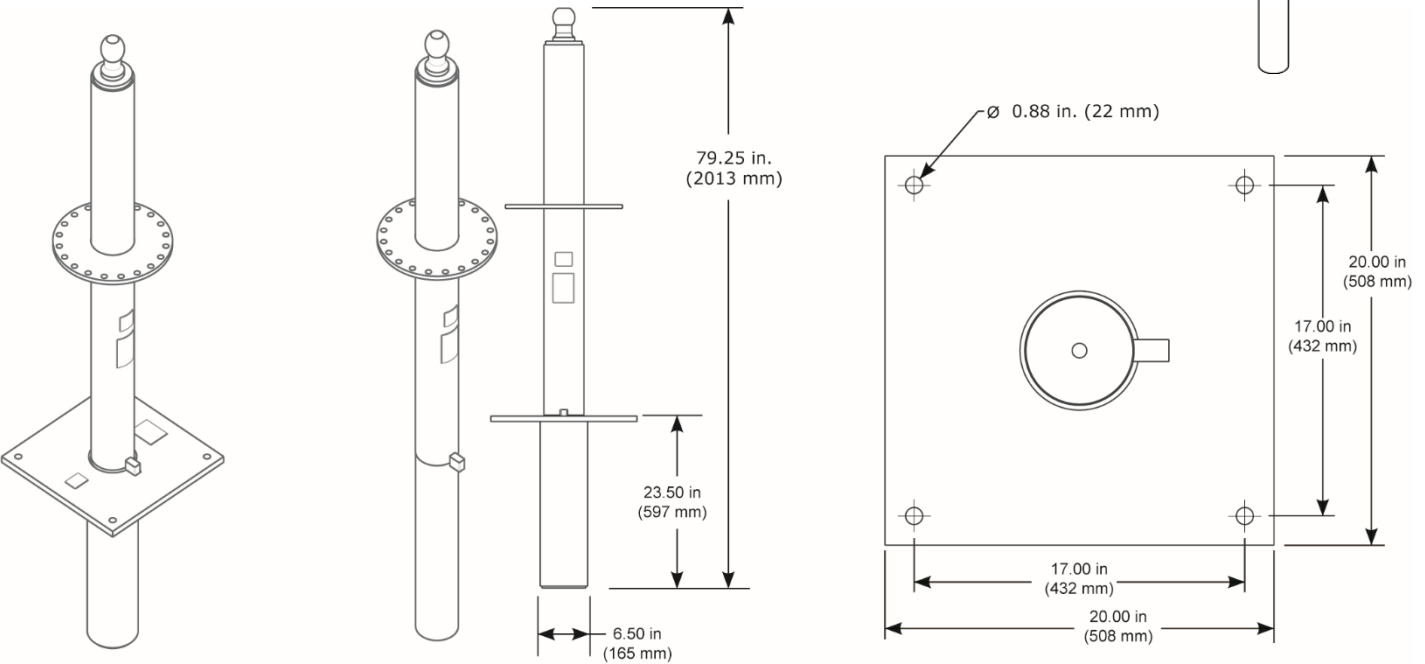
	Peso
8530920	140 lb. (64 kg)



	Peso
8530921	237 lb. (107 kg)



	Peso
8530889	377 lb. (171 kg)

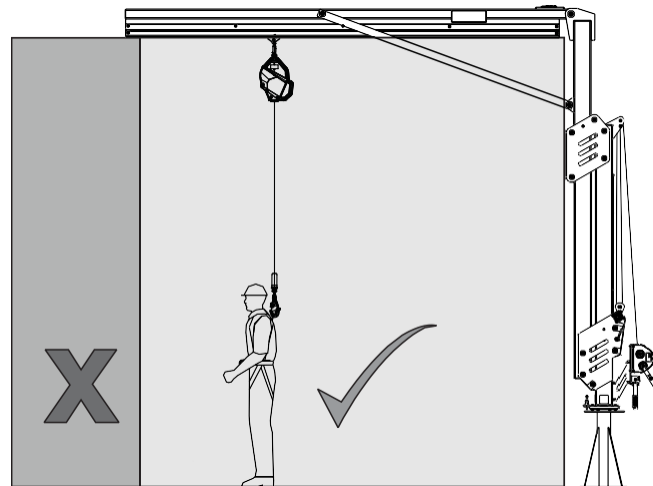
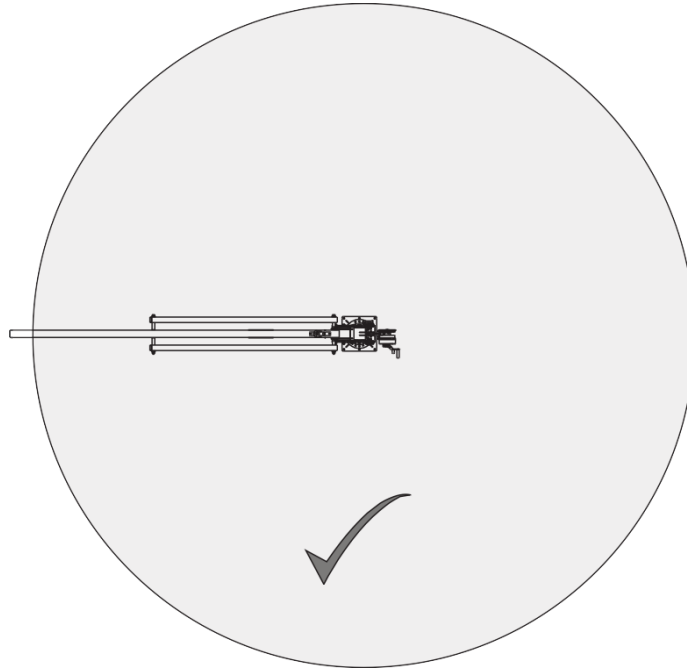


Lista de Componentes				
	Número de Parte	Descripción	Material	Cantidad
1	9515114	Etiqueta de Usuario	Poliéster	1
2	9514429	Etiqueta de Identificación	Poliéster	1
3	8550165	Tapa de Base	Aluminio, Goma	1

Requisitos de Montaje	
Carga Mínima de Momento de la Estructura de Montaje	Carga Mínima Vertical de la Estructura de Montaje
501,633 in-lb. (56,677 N-m)	3,320 lb. (1,506 kg) + Peso de la base + Peso del Brazo de Grúa M200

APLICACIÓN:

Consulte el diagrama a continuación para ver el área de trabajo del producto.



Kit de Bolsillo para Horquillas

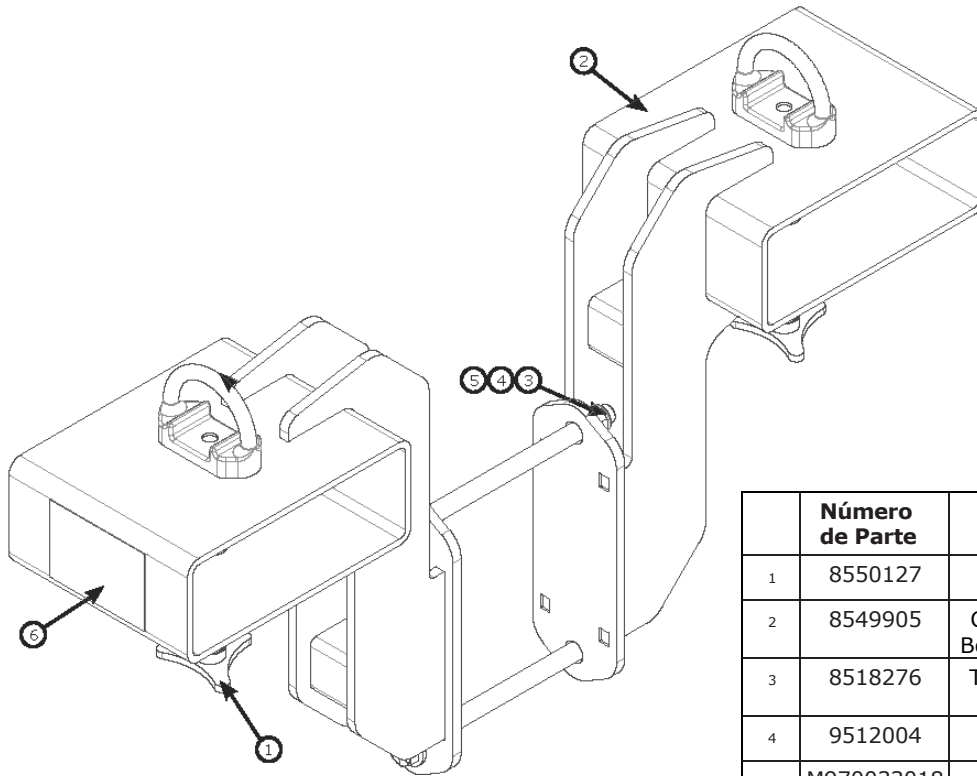
HOJA DE DATOS TÉCNICOS: 8530912



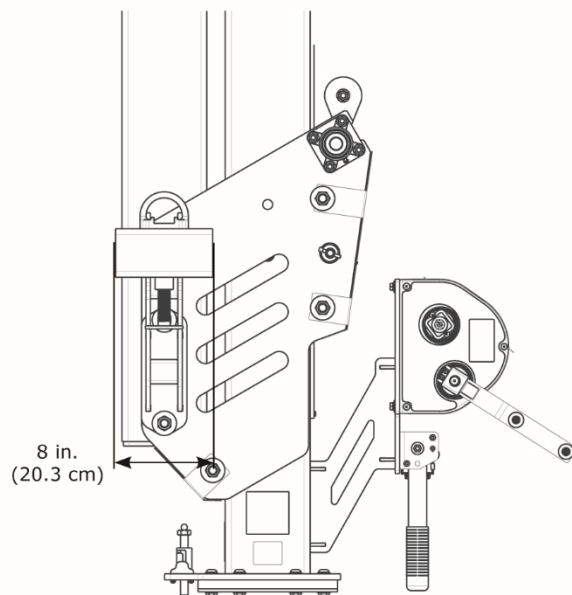
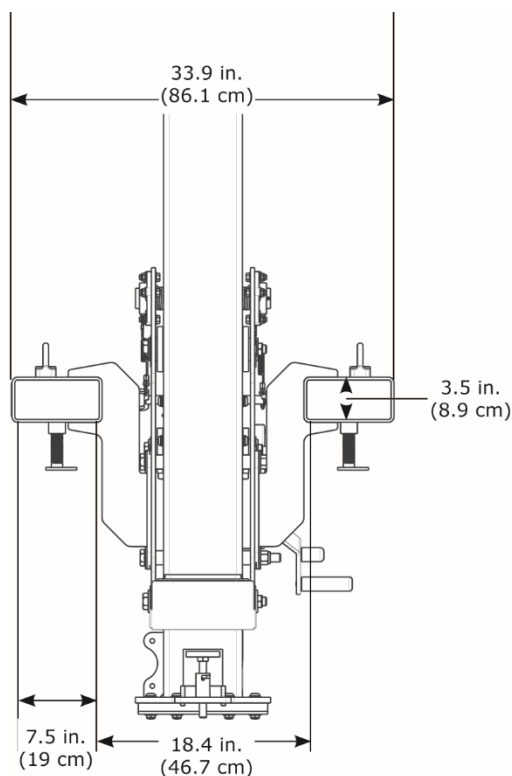
APLICACIÓN:

Este modelo de kit de bolsillo para horquillas está diseñado para transportar los modelos de pescante operados con winche **8530891-8530898**.

Para obtener más información sobre la instalación de componentes, consulte las instrucciones del usuario.



	Número de Parte	Componente	Cantidad
1	8550127	Tornillo Triple	2
2	8549905	Conjunto Soldado de Bolsillo para Horquillas	2
3	8518276	Tuerca Hexagonal de 3/4"	2
4	9512004	Perno de 3/4" x 12"	2
5	M970033018	Arandela de 3/4"	4
6	9515122	Etiqueta de Usuario	1
	9500146	Eslabón de Cadena	2
	8517096	Cadena	10 ft.



Kit de Bolsillo para Horquillas

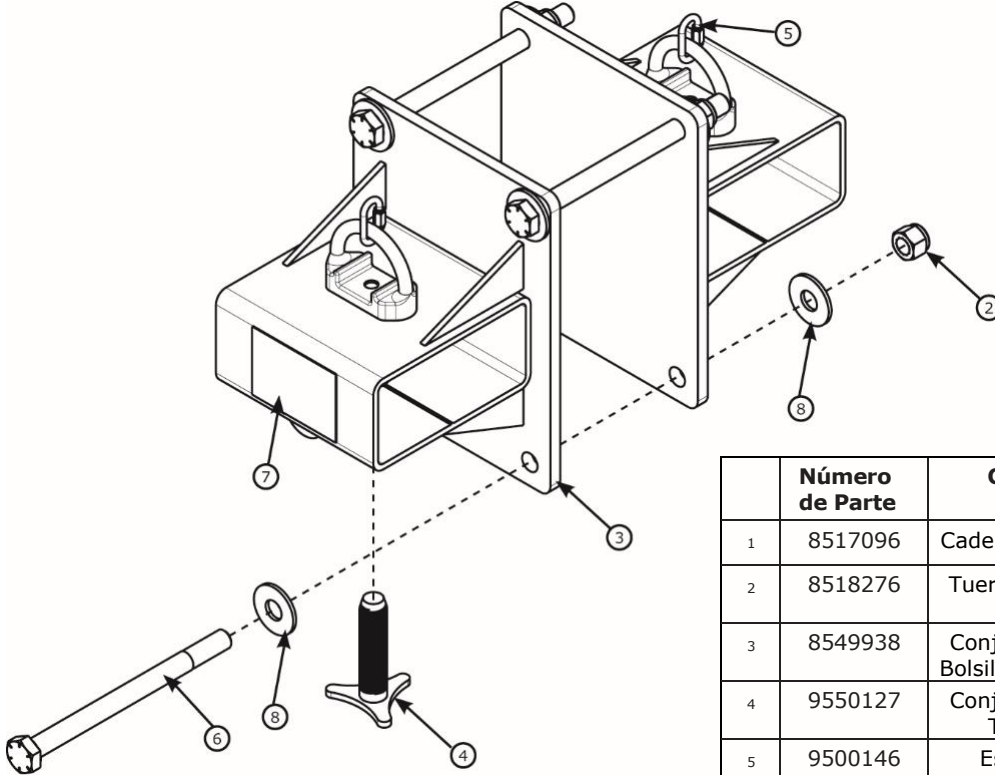
HOJA DE DATOS TÉCNICOS: 8530925



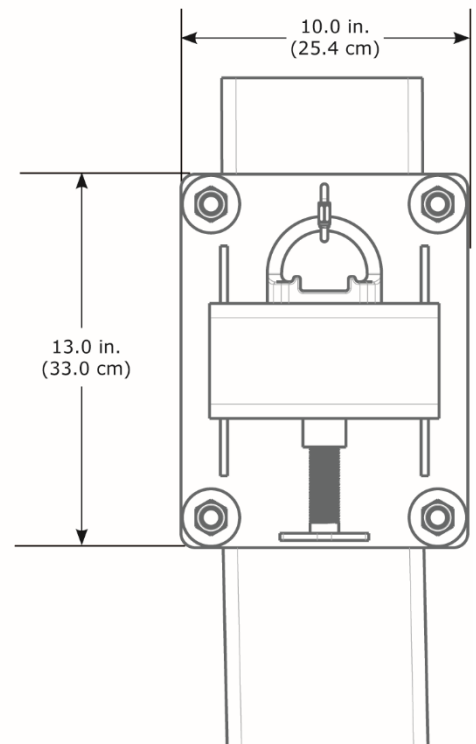
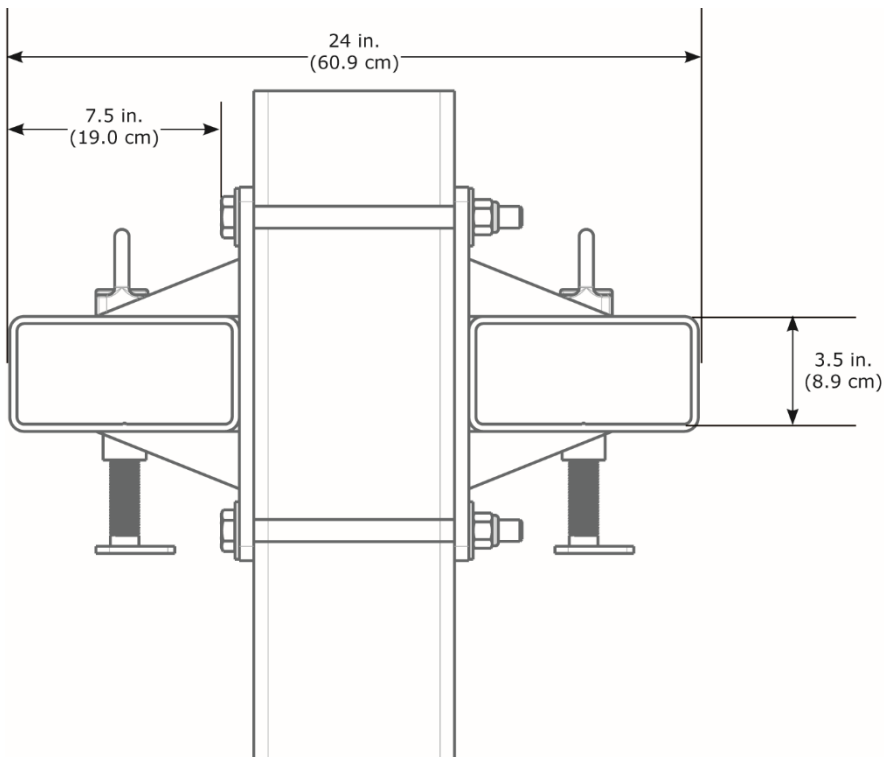
APLICACIÓN:

Este modelo de kit de bolsillo para horquillas está diseñado para transportar el pescante con modelos de canal de ajuste **8530899-8530904**.

Para obtener más información sobre la instalación de componentes, consulte las instrucciones del usuario.



	Número de Parte	Componente	Cantidad
1	8517096	Cadena (no mostrada)	10 ft.
2	8518276	Tuerca Hexagonal de 3/4"	4
3	8549938	Conjunto Soldado de Bolsillo para Horquillas	2
4	9550127	Conjunto Soldado de Tornillo Triple	2
5	9500146	Eslabón Rápido	2
6	9514294	Perno de Cabeza Hexagonal de 3/4"	4
7	9515573	Etiqueta de Advertencia	1
8	M970033018	Arandela de 3/4"	8



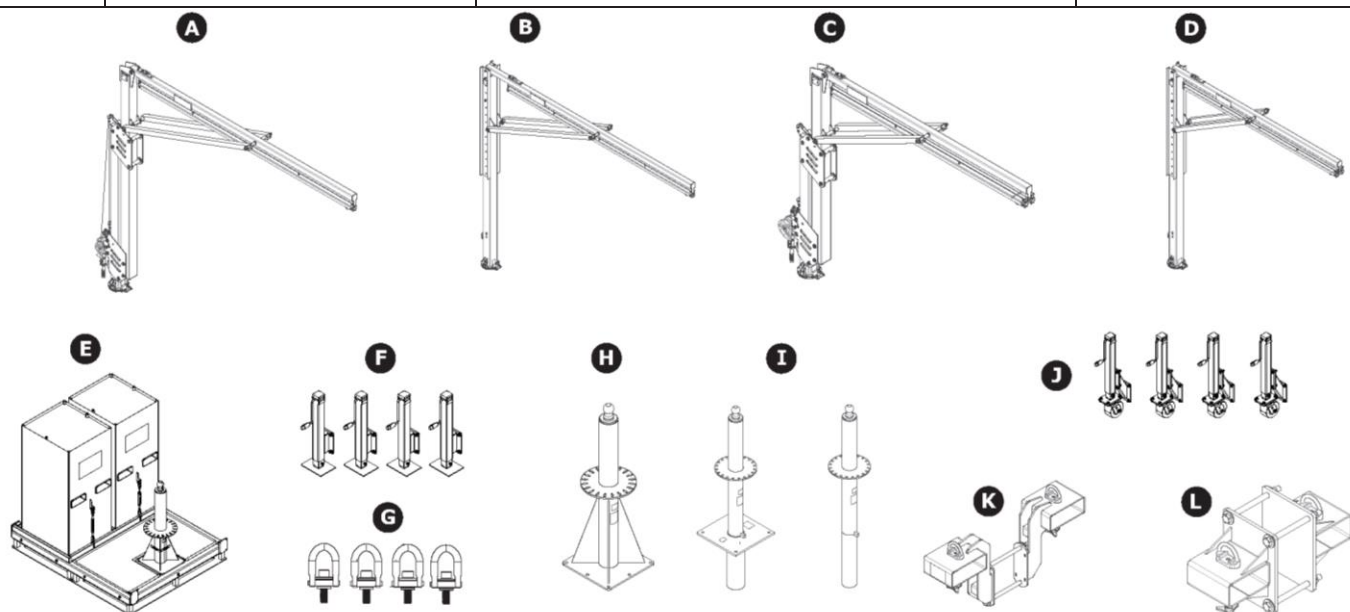


Fall Protection

3M™ DBI-SALA® Sistemi M200 Davit

Tehnički list paketa 5908526 Rev. D

Poziv	Tehnički list	Opis	Stranica
A	8530891	12.3 ft.–15 ft. (3.8 m–4.6 m) Podesivi Davit	506
	8530892	14.8 ft.–20 ft. (4.5 m–6.1 m) Podesivi Davit	506
	8530893	17.3 ft.–25 ft. (5.3 m–7.6 m) Podesivi Davit	506
	8530894	19.8 ft.–30 ft. (6.1 m–9.1 m) Podesivi Davit	506
B	8530899	15 ft.–20 ft. (4.6 m–6.1 m) Polufiksni Davit	508
	8530900	20 ft.–25 ft. (6.1 m–7.6 m) Polufiksni Davit	508
	8530901	25 ft.–30 ft. (7.6 m–9.1 m) Polufiksni Davit	508
C	8530895	12.3 ft.–15 ft. (3.8 m–4.6 m) Podesivi Davit	510
	8530896	14.8 ft.–20 ft. (4.5 m–6.1 m) Podesivi Davit	510
	8530897	17.3 ft.–25 ft. (5.3 m–7.6 m) Podesivi Davit	510
	8530898	19.8 ft.–30 ft. (6.1 m–9.1 m) Podesivi Davit	510
D	8530902	15 ft.–20 ft. (4.6 m–6.1 m) Polufiksni Davit	512
	8530903	20 ft.–25 ft. (6.1 m–7.6 m) Polufiksni Davit	512
	8530904	25 ft.–30 ft. (7.6 m–9.1 m) Polufiksni Davit	512
E	8530886	Neispunjena baza tegova	514
	8530887	Ispunjena baza tegova	514
F	8530907	Dizalice za bazu tegova	516
G	8530777	Prstenovi za podizanje baze tegova	516
H	8530888	Baza za montažu na pod	518
I	8530889, 8530920, 8530921	Baza za ravnu montažu	519
J	8530908	Točkovi za bazu tegova	516
K	8530912	Set za džep viljuške	521
L	8530925	Set za džep viljuške	522



Podesivi Davit

TEHNIČKI LIST PODATAKA: 8530891-8530894

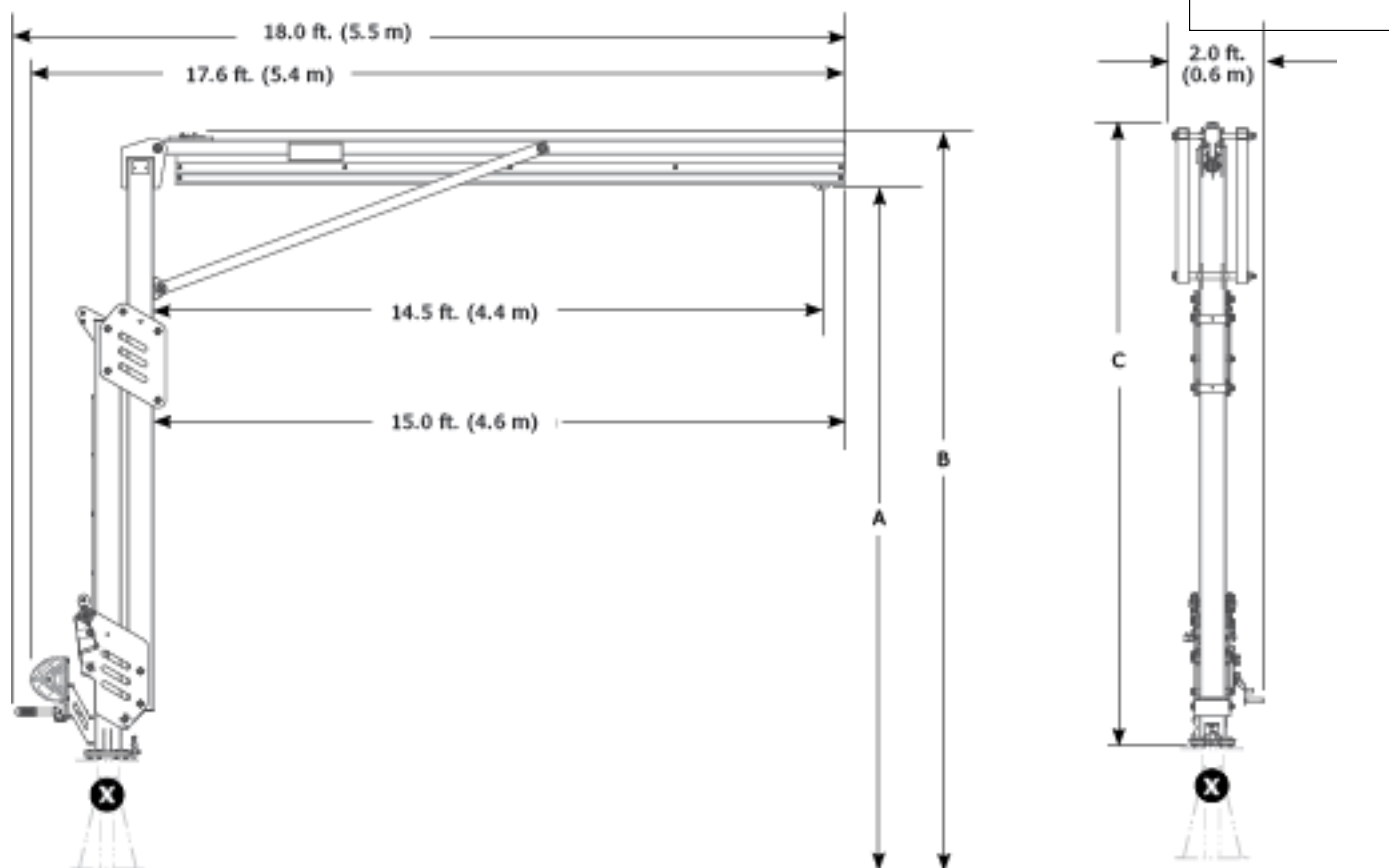


PRIMENA:

Davit je dizajniran da obezbedi tačke za povezivanje sidrišta za sistem zaštite od pada.

Za više informacija o instalaciji proizvoda, pogledajte uputstva za korisnike.

Standardi: EN795:2012 Tip E, OSHA 1910.140, OSHA 1926.502



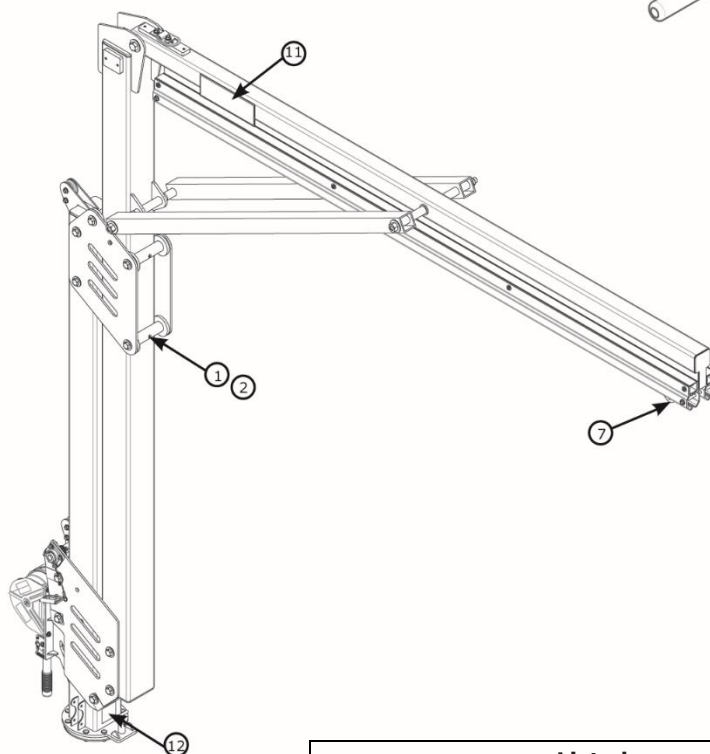
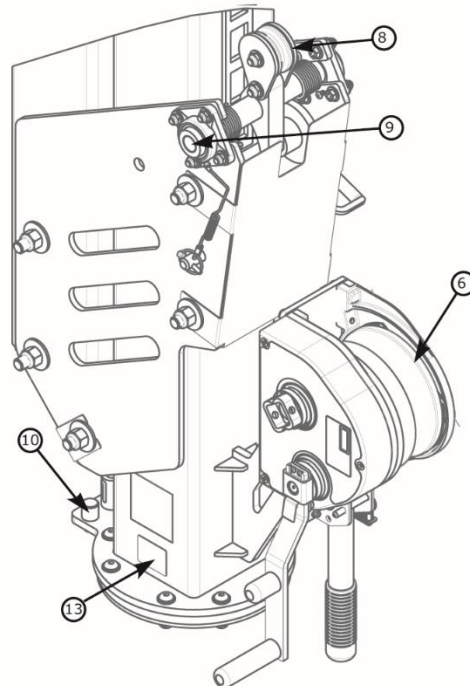
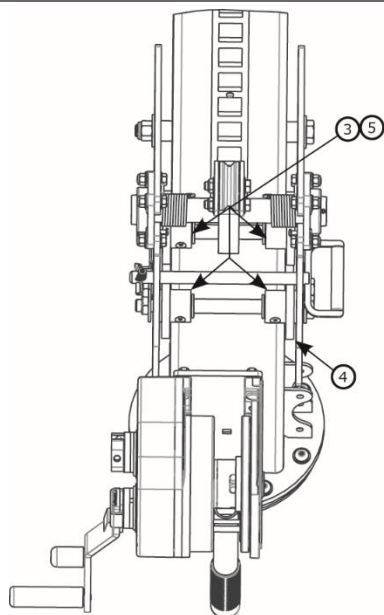
	A	B	C	lb. (kg)
8530891	12.3 ft. - 15.0 ft. (3.8 m - 4.6 m)	13.4 ft. - 16.1 ft. (4.1 m - 4.9 m)	9.8 ft. - 14.8 ft. (3.0 m - 4.5 ft.)	945 lb. (429 kg)
8530892	14.8 ft. - 20.0 ft. (4.5 m - 6.1 m)	15.9 ft. - 21.1 ft. (4.8 m - 6.4 m)	13.5 ft. - 18.7 ft. (4.1 m - 5.7 m)	1,057 lb. (479 kg)
8530893	17.3 ft. - 25.0 ft. (5.3 m - 7.6 m)	18.4 ft. - 26.1 ft. (5.6 m - 8.0 m)	16.0 - 23.7 ft. (4.9 m - 7.2 m)	1,169 lb. (530 kg)
8530894	19.8 ft. - 30.0 ft. (6.0 m - 9.1 m)	20.9 ft. - 31.1 ft. (6.4 m - 9.5 m)	18.5 ft. - 28.7 ft. (5.6 m - 8.7 m)	1,281 lb. (581 kg)

Komponente podesivog Davita

TEHNIČKI LIST PODATAKA: 8530891-8530894

3M

DBI
SALA[®]
Fall Protection



Lista komponenti				
	Broj dela	Opis	Materijal	Količina
1	8550046	Široki valjak	Najlon	3
2	8550047	Razmak širokog valjka	304 Nerđajući čelik	3
3	8550327	Uski valjak	Najlon	2
4	9514703	Bočni valjak	Najlon	8
5	8550213	Razmak uskog valjka	304 Nerđajući čelik	2
6	8549930	Vitlo	Čelik	1
7	8521711	Kolica	Čelik, Najlon	1

Lista komponenti				
	Broj dela	Opis	Materijal	Količina
8	8550223	Mehanizam zaključavanja (samo ovlašćeni popravak)	Čelik, Najlon	1
9	9515138	Ležajevi	Čelik	2
10	8550398	Rotacioni stop	Aluminijum	2
11	9515111	3M etiketa	Poliester	2
12	9515101	Rotaciona etiketa	Poliester	1
13	9514429	ID etiketa	Poliester	1
14	9515112	Etiketa za korisnika	Poliester	1

Polufiksni Davit

TEHNIČKI LIST PODATAKA: 8530899-8530901





PRIMENA:

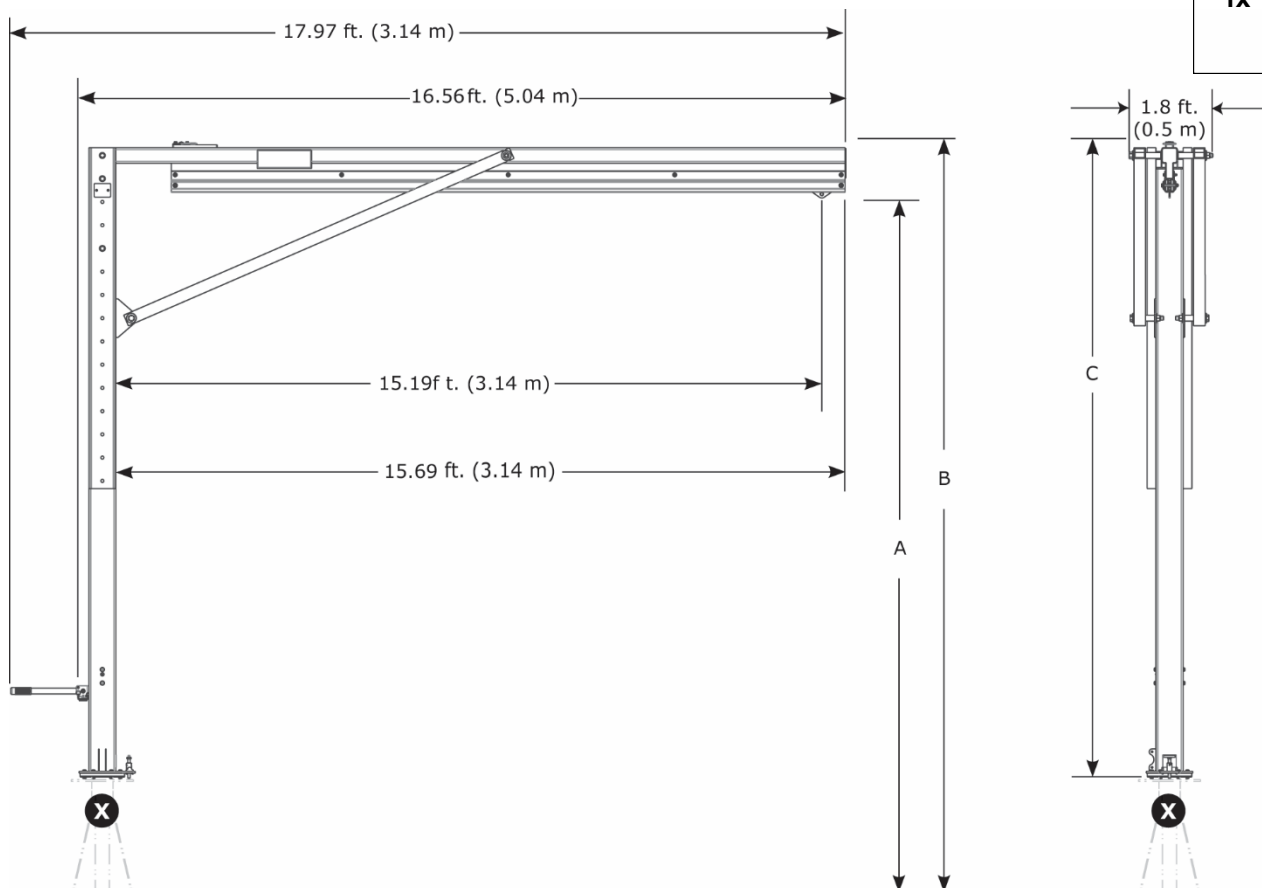
Davit je dizajniran da obezbedi tačke za povezivanje sidrišta za sistem zaštite od pada.

Za više informacija o instalaciji proizvoda, pogledajte uputstva za korisnike.

Standardi: EN795:2012 Tip E, OSHA 1910.140, OSHA 1926.502

 ≤ 1350 lb.
(6 kN)

 1x ≤ 310 lb.
(140 kg)



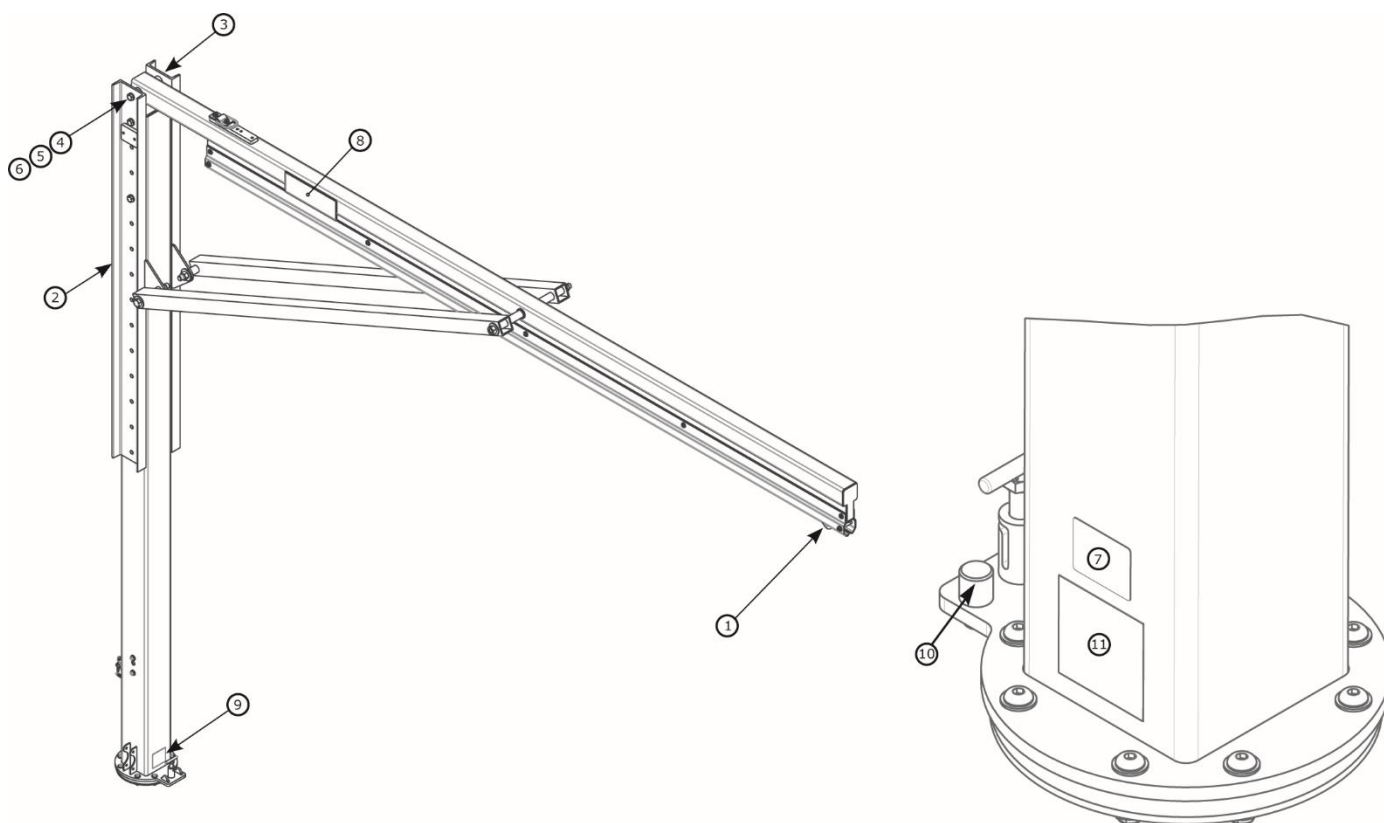
	A	B	C	lb. (kg)
8530899	15.0 ft. – 20.0 ft. (4.6 m – 6.1 m)	16.1 ft. – 21.1 ft. (4.9 m – 6.4 m)	13.7 ft. – 18.7 ft. (4.2 m – 5.7 m)	818 lb. (371 kg)
8530900	20.0 ft. – 25.0 ft. (6.1 m – 7.6 m)	21.1 ft. – 26.1 ft. (6.4 m – 7.9 m)	18.7 ft. – 23.7 ft. (5.7 m – 7.2 m)	930 lb. (422 kg)
8530901	25.0 ft. – 30.0 ft. (7.6 m – 9.1 m)	26.1 ft. – 31.1 ft. (7.9 m – 9.6 m)	23.7 ft. – 28.7 ft. (7.2 m – 8.7 m)	1,041 lb. (472 kg)
+6" (152 mm) inkrementi podešavanja				

Komponente polufiksno^g Davita

TEHNIČKI LIST PODATAKA: 8530899-8530901

3M

DBI
SALA
Fall Protection



	Broj dela	Opis	Materijal	Količina
1	8521711	Kolica	Nerđajući čelik, Čelik, Najlon	1
2	8549933	Kanal za montažu za spasavanje	Čelik	1
3	8550248	Kanal	Čelik	1
4	8526654	3/4" x 9" Vijak	Čelik	2
5	8522275	3/4" Podloška	Čelik	4
6	8518276	3/4" Navrtka	Čelik	2
7	9514429	ID etiketa	Poliester	1

	Broj dela	Opis	Materijal	Količina
8	9515111	3M etiketa	Poliester	2
9	9515101	Rotaciona etiketa	Poliester	1
10	8550398	Rotacioni stop	Aluminijum	2
11	9515112	Etiketa za korisnika	Poliester	1

Podesivi Davit

TEHNIČKI LIST PODATAKA: 8530895-8530898



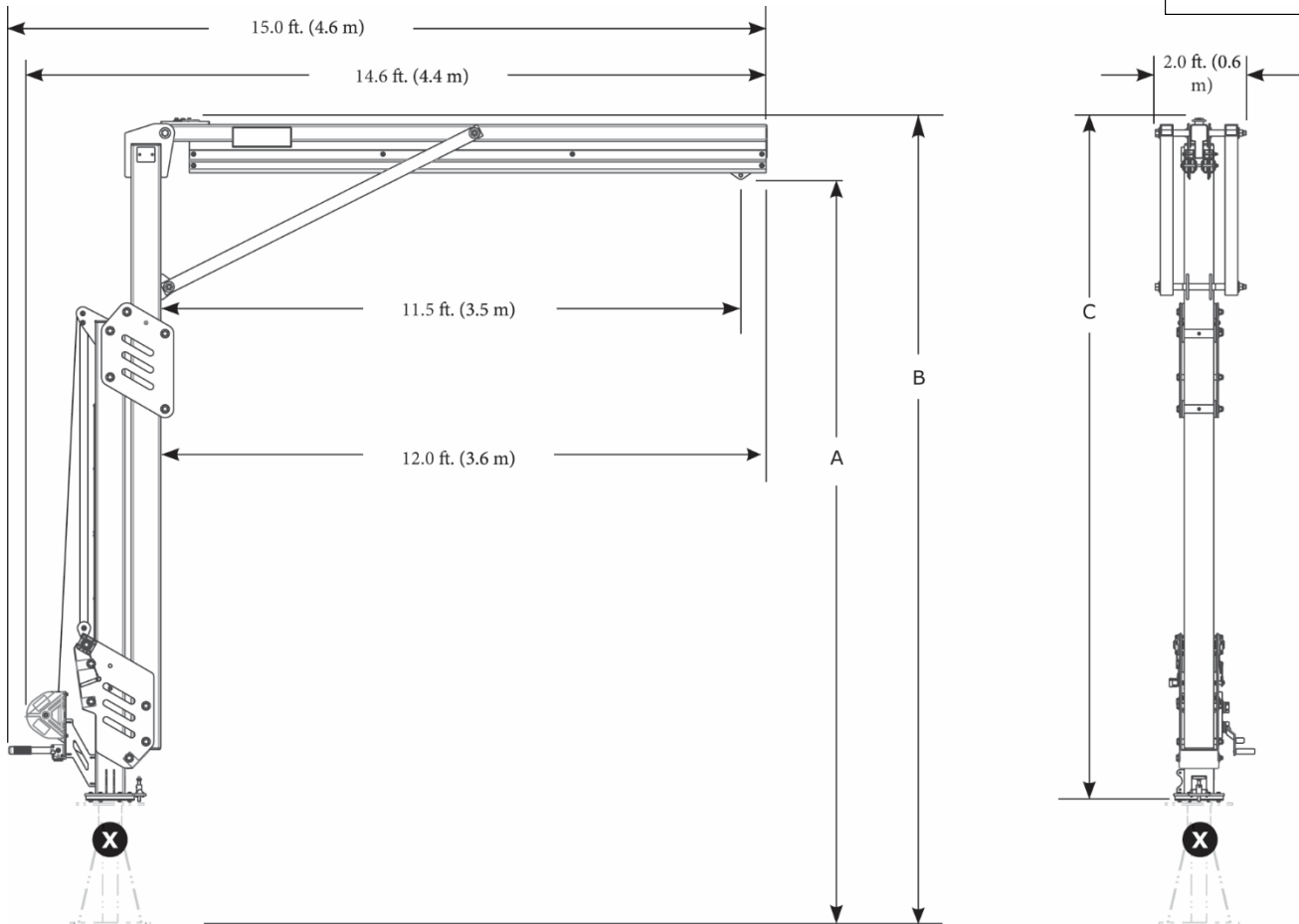
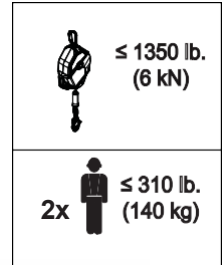
Fall Protection

PRIMENA:

Davit je dizajniran da obezbedi tačke za povezivanje sidrišta za sistem zaštite od pada.

Za više informacija o instalaciji proizvoda, pogledajte uputstva za korisnike.

Standardi: CEN/TS 16415:2013 Tip E, EN795:2012 Tip E, OSHA 1910.140, OSHA 1926.502



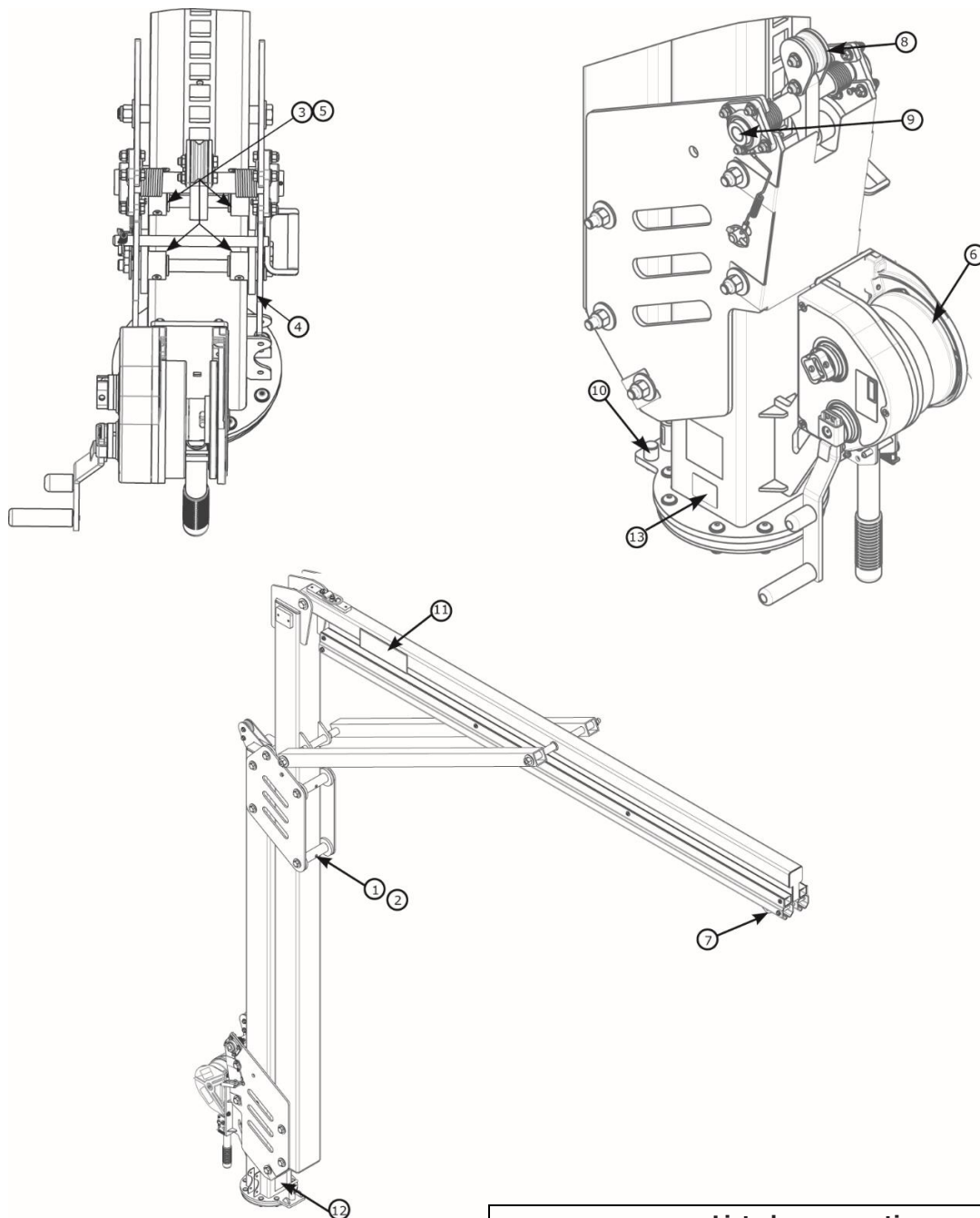
	A	B	C	lb. (kg)
8530895	12.3 ft. - 15.0 ft. (3.8 m - 4.6 m)	13.4 ft. - 16.1 ft. (4.1 m - 4.9 m)	11.0 ft. - 13.7 ft. (3.4 m - 4.2 ft.)	1,011 lb. (459 kg)
8530896	14.8 ft. - 20.0 ft. (4.5 m - 6.1 m)	15.9 ft. - 21.1 ft. (4.8 m - 6.4 m)	13.5 ft. - 18.7 ft. (4.1 m - 5.7 m)	1,123 lb. (509 kg)
8530897	17.3 ft. - 25.0 ft. (5.3 m - 7.6 m)	18.4 ft. - 26.1 ft. (5.6 m - 8.0 m)	16.0 - 23.7 ft. (4.9 m - 7.2 m)	1,235 lb. (560 kg)
8530898	19.8 ft. - 30.0 ft. (6.0 m - 9.1 m)	20.9 ft. - 31.1 ft. (6.4 m - 9.5 m)	18.5 ft. - 28.7 ft. (5.6 m - 8.7 m)	1,343 lb. (609 kg)

Komponente podesivog Davita

TEHNIČKI LIST PODATAKA: 8530895-8530898

3M

**DBI
SALA®**
Fall Protection



Lista komponenti				
	Broj dela	Opis	Materijal	Količina
1	8550046	Široki valjak	Najlon	3
2	8550047	Razmak širokog valjka	304 Nerđajući čelik	3
3	8550327	Uski valjak	Najlon	2
4	9514703	Bočni valjak	Najlon	8
5	8550213	Razmak uskog valjka	304 Nerđajući čelik	2
6	8549930	Vitlo	Čelik	1
7	8521711	Kolica	Čelik, Najlon	1

Lista komponenti				
	Broj dela	Opis	Materijal	Količina
8	8550223	Mehanizam zaključavanja (samo ovlašćeni popravak)	Čelik, Najlon	1
9	9515138	Ležajevi	Čelik	2
10	8550398	Rotacioni stop	Aluminijum	2
11	9515111	3M etiketa	Poliester	2
12	9515101	Rotaciona etiketa	Poliester	1
13	9514429	ID etiketa	Poliester	1
14	9515112	Etiketa za korisnika	Poliester	1

Polufiksni Davit

TEHNIČKI LIST PODATAKA: 8530902-8530904





PRIMENA:

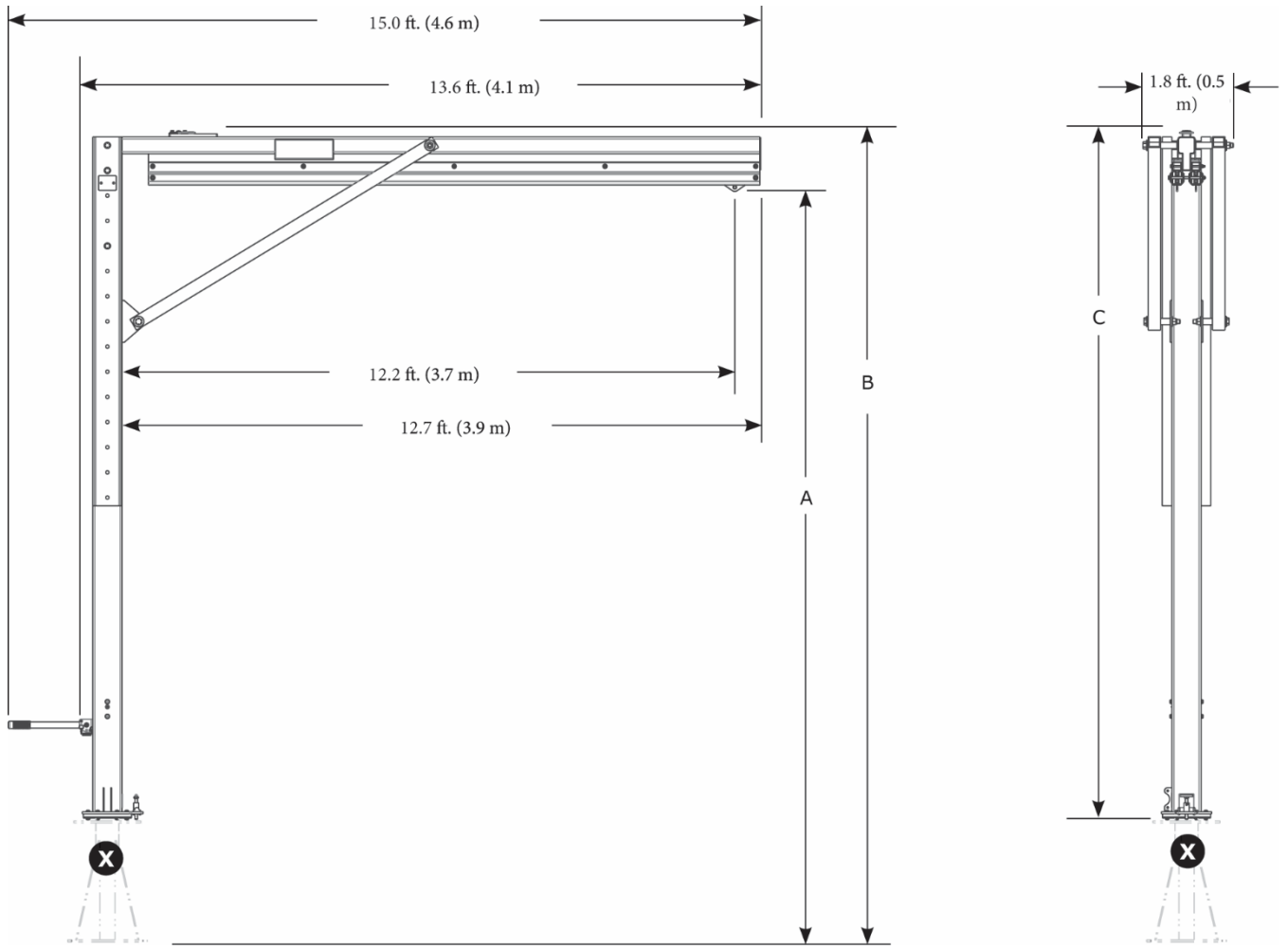
Davit je dizajniran da obezbedi tačke za povezivanje sidrišta za sistem zaštite od pada.

Za više informacija o instalaciji proizvoda, pogledajte uputstva za korisnike.

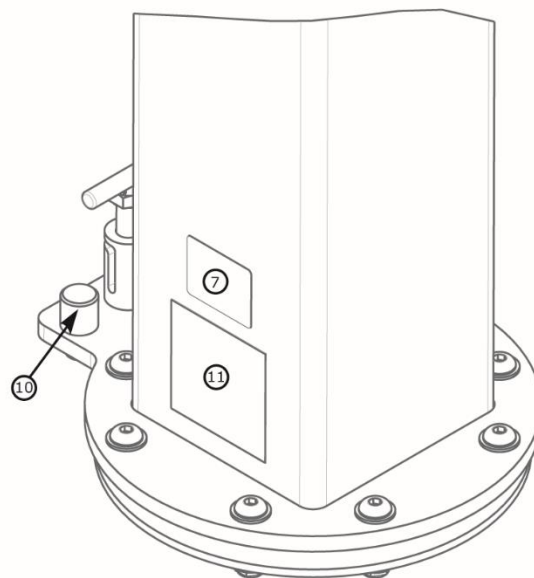
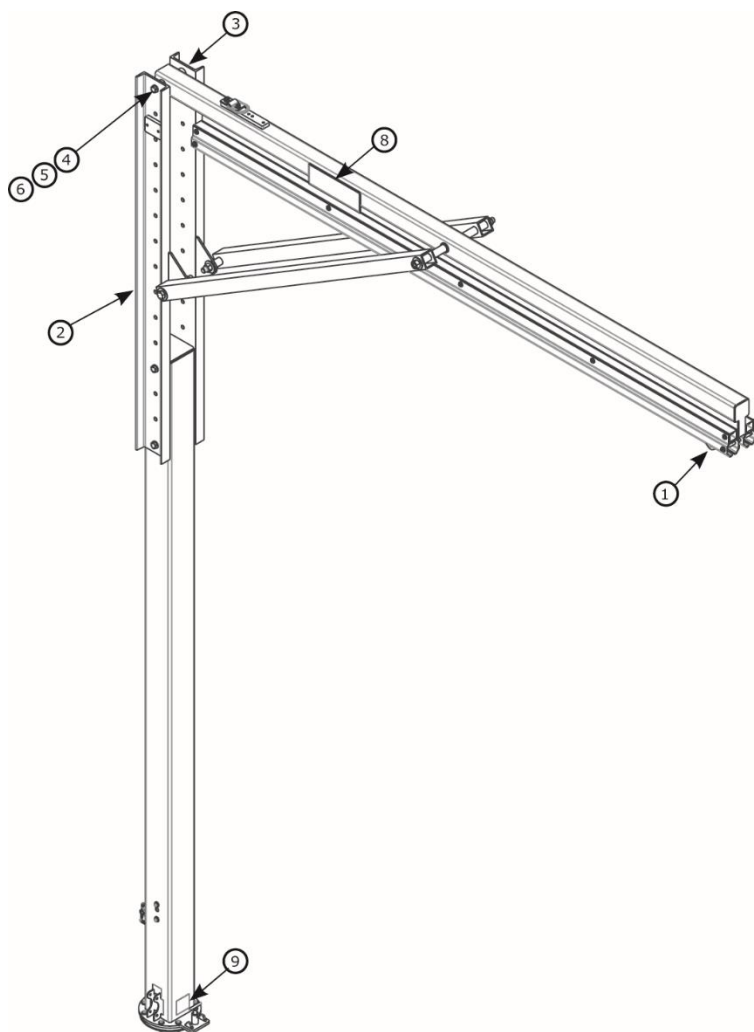
Standardi: CEN/TS 16415:2013 Tip E, EN795:2012 Tip E, OSHA 1910.140, OSHA 1926.502

 ≤ 1350 lb.
(6 kN)

 2x  ≤ 310 lb.
(140 kg)



	A	B	C	lb. (kg)
8530902	15.0 ft. - 20.0 ft. (4.6 m - 6.1 m)	16.1 ft. - 21.1 ft. (4.9 m - 6.4 m)	13.7 ft. - 18.7 ft. (4.2 m - 5.7 m)	850 lb. (386 kg)
8530903	20.0 ft. - 25.0 ft. (6.1 m - 7.6 m)	21.1 ft. - 26.1 ft. (6.4 m - 7.9 m)	18.7 ft. - 23.7 ft. (5.7 m - 7.2 m)	961 lb. (436 kg)
8530904	25.0 ft. - 30.0 ft. (7.6 m - 9.1 m)	26.1 ft. - 31.1 ft. (7.9 m - 9.6 m)	23.7 ft. - 28.7 ft. (7.2 m - 8.7 m)	1,073 lb. (487 kg)



	Broj dela	Opis	Materijal	Količina
1	8521711	Kolica	Nerđajući čelik, Čelik, Najlon	1
2	8549933	Kanal za montažu za spasavanje	Čelik	1
3	8550248	Kanal	Čelik	1
4	8526654	3/4" x 9" Vijak	Čelik	2
5	8522275	3/4" Podloška	Čelik	4
6	8518276	3/4" Navrtka	Čelik	2
7	9514429	ID etiketa	Poliester	1

	Broj dela	Opis	Materijal	Količina
8	9515111	3M etiketa	Poliester	2
9	9515101	Rotaciona etiketa	Poliester	1
10	8550398	Rotacioni stop	Aluminijum	2
11	9515112	Etiketa za korisnika	Poliester	1

Baza tegova M200

TEHNIČKI LIST PODATAKA: 8530886, 8530887



PRIMENA:

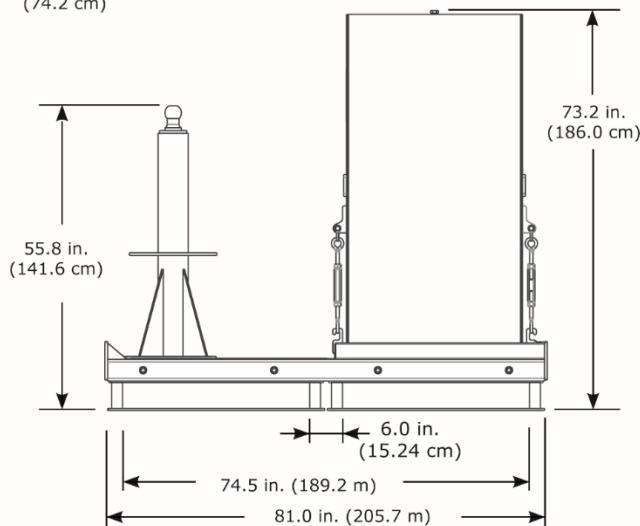
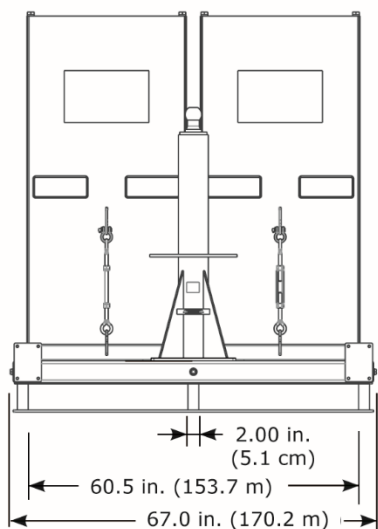
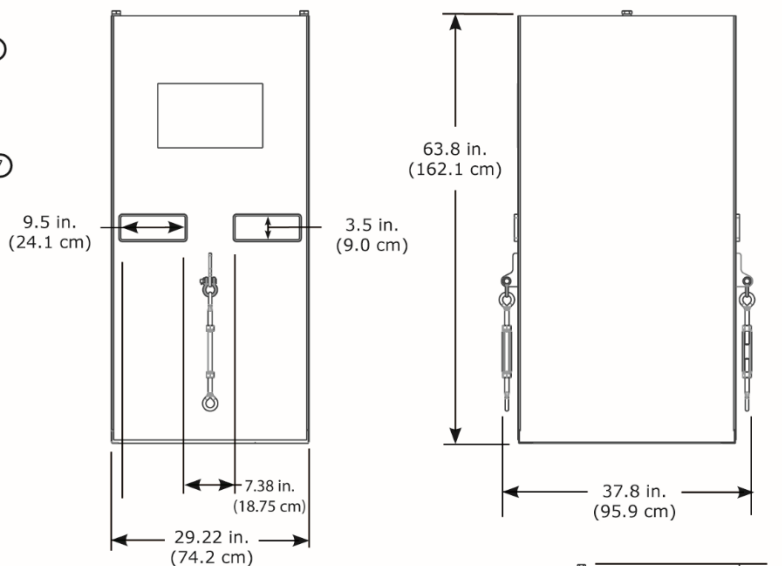
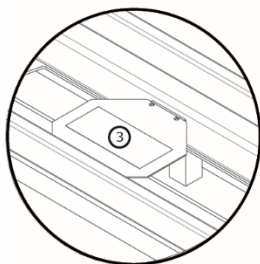
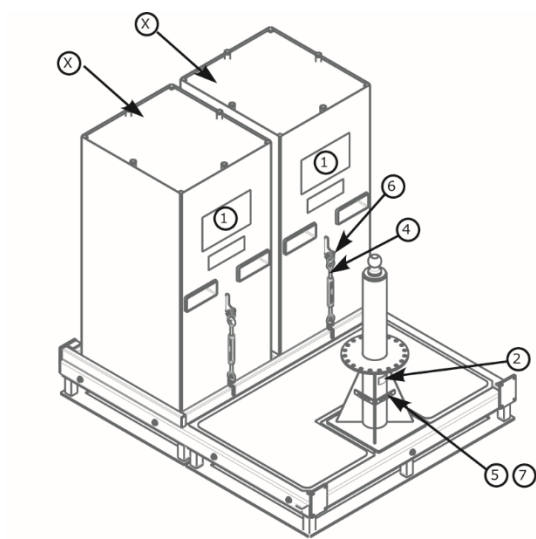
Baza davita je dizajnirana da se koristi kao tačka za montažu sistema davita.

Za više informacija o instalaciji proizvoda, pogledajte uputstva za korisnike.

Standardi: CEN/TS 16415:2013 Tip E, EN795:2012 Tip E, OSHA 1910.140, OSHA 1926.502

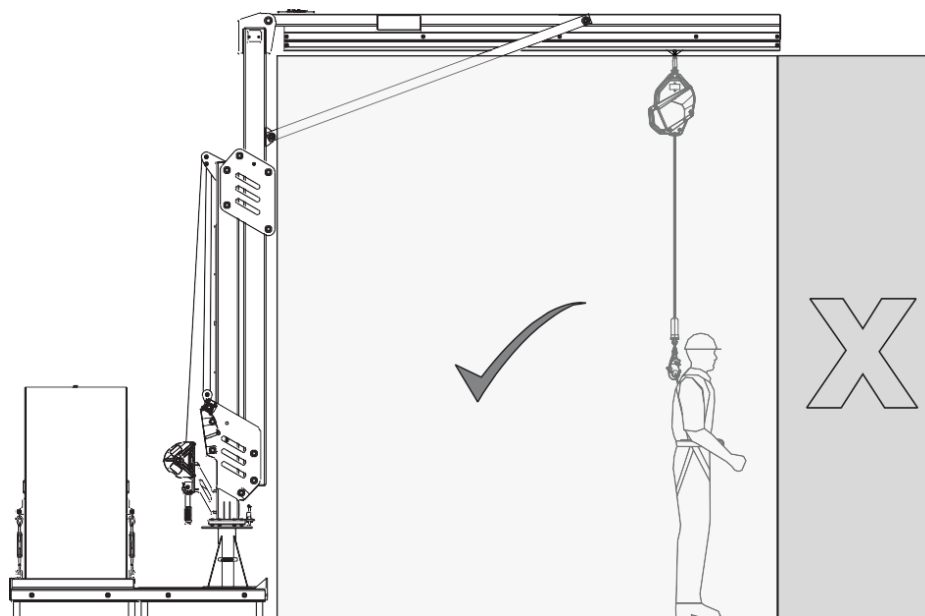
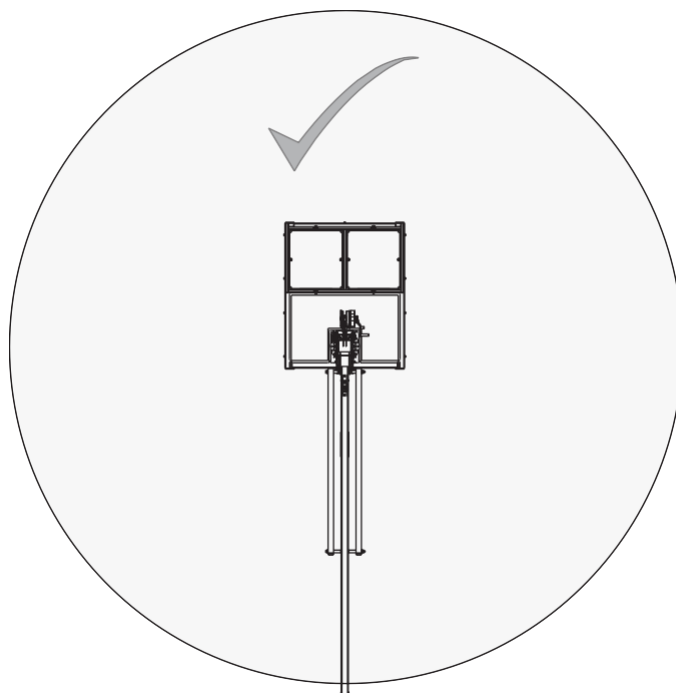
	X 4,000 psi (30 MPa)	Zahtevi za strukturu oslonca	Težina
8530886		14,645 lb. (6,643 kg)	2,407 lb. (1,092 kg)
8530887	✓	+ Težina M200 kraka jib dizalice	11,325 lb. (5,137 kg)

Lista komponenti				
	Broj dela	Opis	Materijal	Količina
1	9515107	Etiketa za korisnika	Poliester	1
2	9514429	ID etiketa	Poliester	1
3	9515106	Upozoravajuća etiketa	Poliester	1
4	8520575	Zatezač	Čelik	2
5	9513627	#4 Šraf	Čelik	4
6	9501794	Okov	Čelik	2
7	9515058	Libela mehurić	Plastika	2
8	9515566	Upozoravajuća etiketa	Poliester	4



PRIMENA:

Pogledajte dijagram ispod za radnu površinu proizvoda.



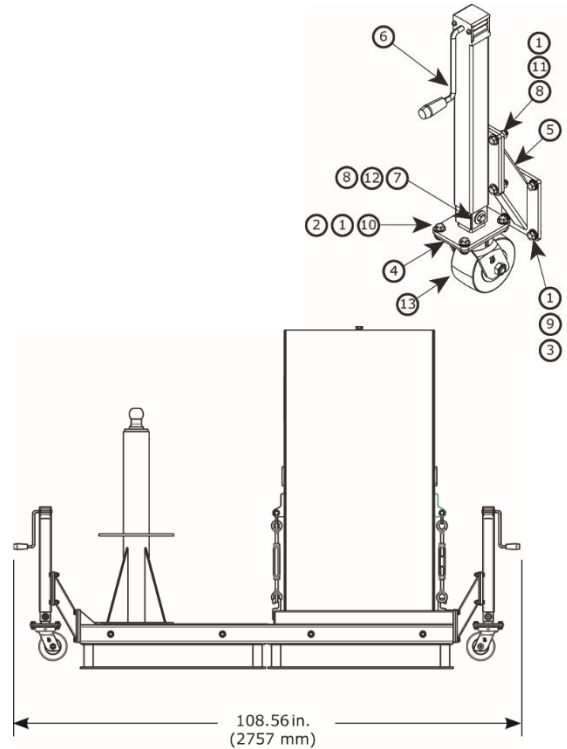
Dodaci za bazu tegova M200

TEHNIČKI LIST PODATAKA: 8530907, 8530908, 8530777

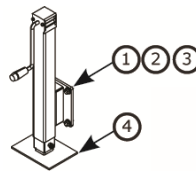


Fall Protection

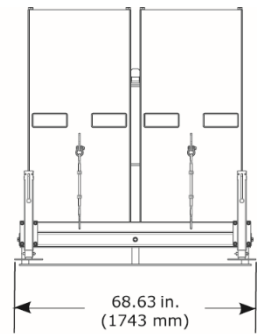
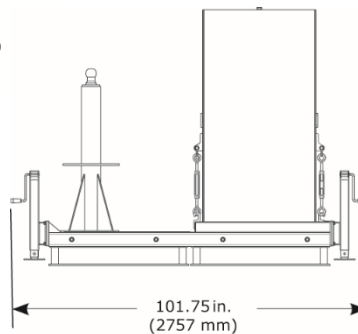
Lista komponenti				
	Broj dela	Opis	Materijal	Količina
1	8510037	1/2" Podloška	Čelik	80
2	8512460	1/2" x 1 1/4" Vijak	Čelik	16
3	8518432	1/2" x 1" Vijak	Čelik	16
4	8550153	Zavareni točak	Čelik	4
5	8550155	Zavareni ugao	Čelik	4
6	8550156	Montirani zavar	Čelik	4
7	9501243	1/2" Podloška	Čelik	8
8	9501831	1/2" Šestougaona navrtka	Čelik	20
9	9504221	1/2" Podloška	Čelik	16
10	9504813	1/2" Šestougaona navrtka	Čelik	16
11	9509276	1/2" x 1 3/4" Vijak	Čelik	16
12	9510153	1/2" x 3 1/4" Vijak	Čelik	4
13	9515081	Točak sa nosačem	Čelik, Uretan	4



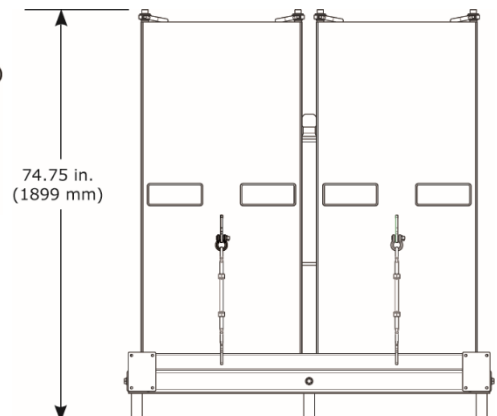
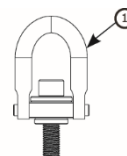
	8530907	8530908	8530777
Težina	108 lb. (49 kg)	152 lb. (69 kg)	12 lb. (5.4 kg)



	Broj dela	Opis	Materijal	Količina
1	9504221	1/2" Sigurnosna podloška	Čelik	16
2	8510037	1/2" Podloška	Čelik	16
3	8518432	1/2" x 1" Vijak	Čelik	16
4	8550177	Zavareni točak	Čelik	4





Lista komponenti				
	Broj dela	Opis	Materijal	Količina
1	9512574	Prsten za podizanje	Čelik	4

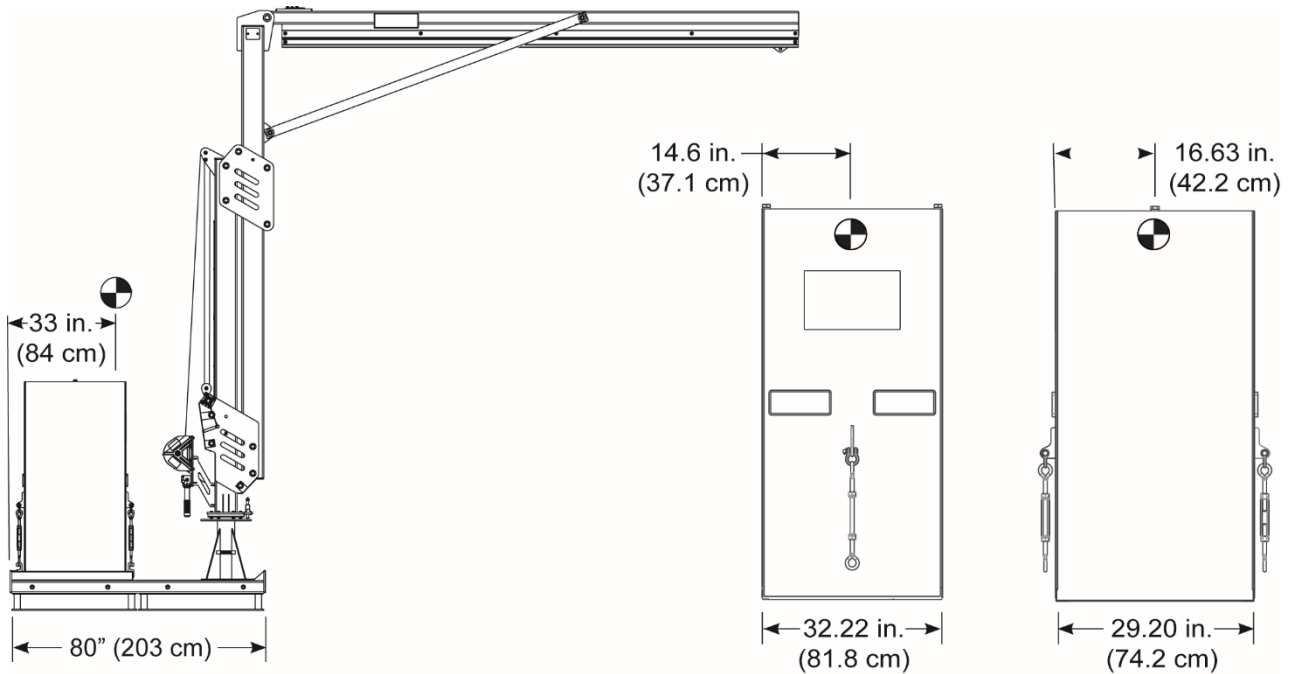



Centar gravitacije baze tegova M200
TEHNIČKI LIST PODATAKA: 8530886, 8530887




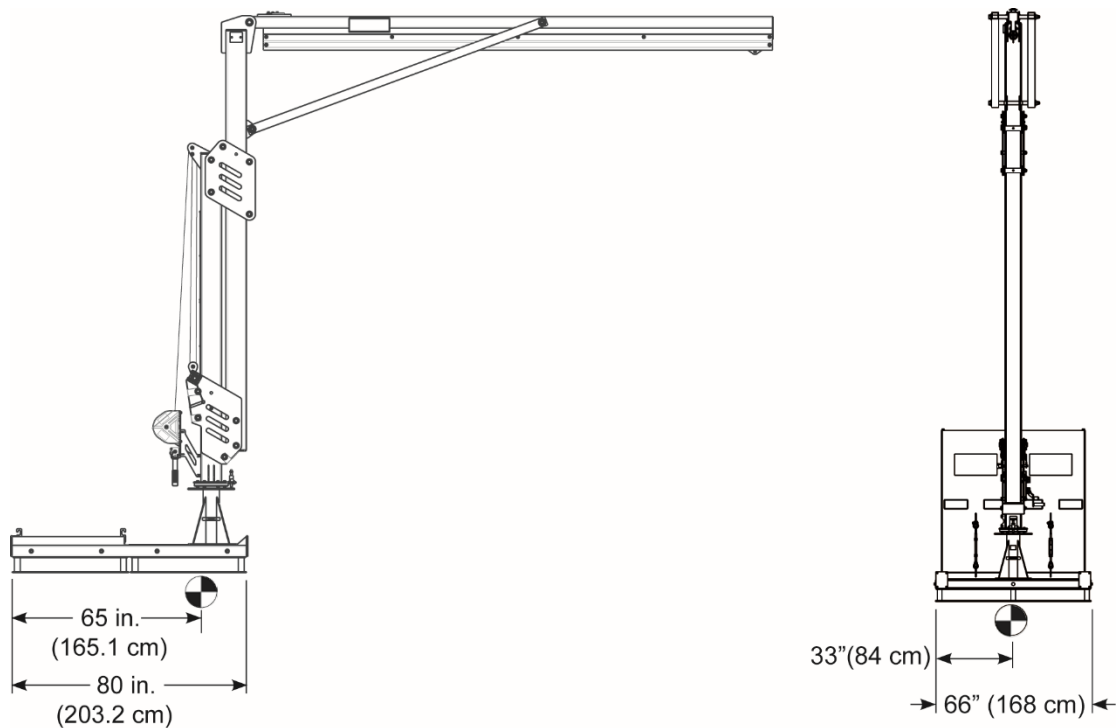
8530887	8530898
 .lb (kg)	12,668 lbs. (5,746 kg)

 .lb (kg)	5,000 lbs. (2,268 kg)
--	--------------------------



8530887	8530898
 .lb (kg)	2,668 lbs. (1,210 kg)

8530887	8530898
 .lb (kg)	12,668 lbs. (5,746 kg)



Baza za montažu na pod M200

TEHNIČKI LIST PODATAKA: 8530888



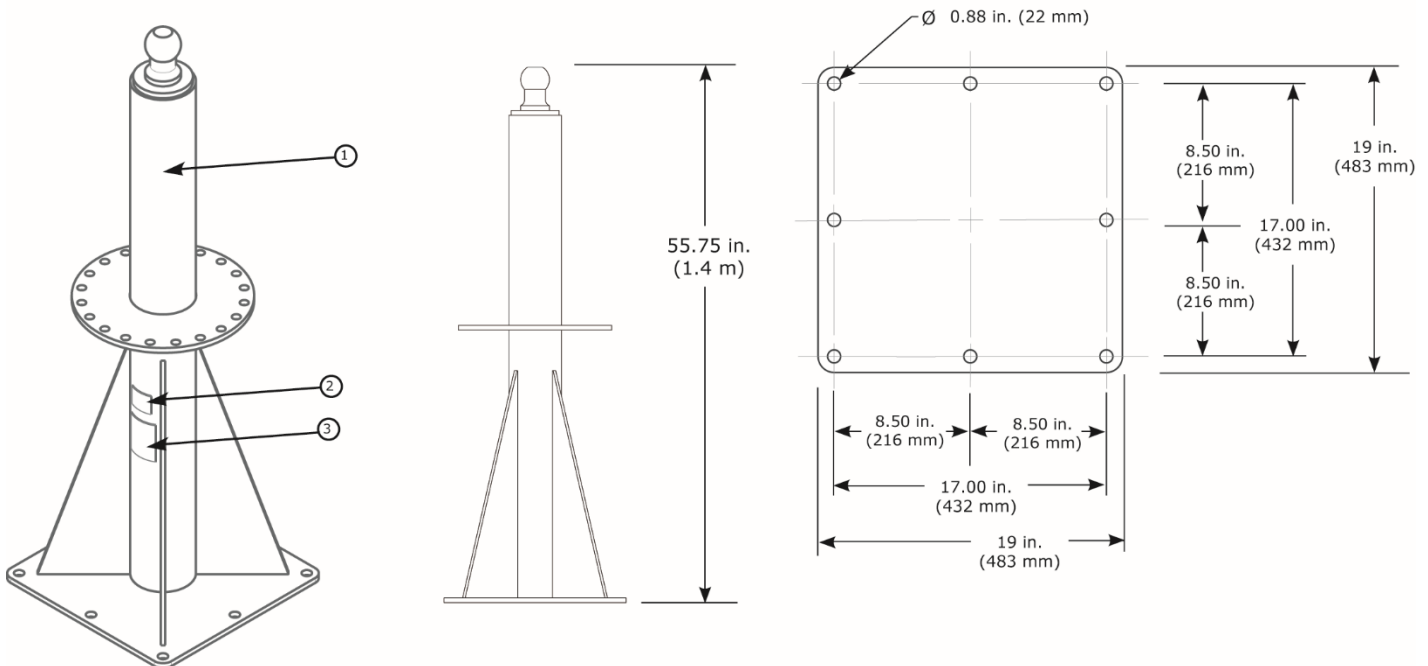
PRIMENA:

Baza davita je dizajnirana da se koristi kao tačka za montažu sistema davita.

Za više informacija o instalaciji proizvoda, pogledajte uputstva za korisnike.

Standardi: CEN/TS 16415:2013 Tip A, EN795:2012 Tip A, OSHA 1910.140, OSHA 1926.502

	Težina
8530888	265 lb. (120 kg)



Lista komponenti				
	Broj dela	Opis	Materijal	Količina
1	8549921	Zavarena baza	Čelik	1
2	9514429	ID etiketa	Poliester	1
3	9515114	Etiketa za korisnika	Poliester	1

Zahtevi za montažu		
Minimalna sila izvlačenja pričvršćivača	Minimalno opterećenje momenta strukture montaže	Minimalno vertikalno opterećenje strukture montaže
9,386 lb. (4,257 kg)	501,633 in-lb. (56,677 N-m)	3,320 lb. (1,506 kg) + Težina baze + Težina M200 kraka jib dizalice

Baza za ravnu montažu M200

TEHNIČKI LIST PODATAKA: 8530889, 8530920, 8530921



Fall Protection

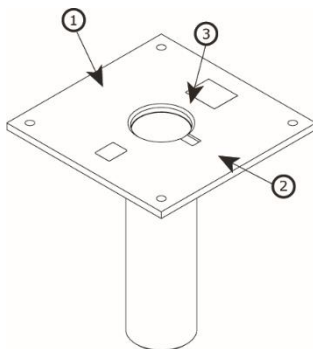
PRIMENA:

Baza davita je dizajnirana da se koristi kao tačka za montažu sistema davita.

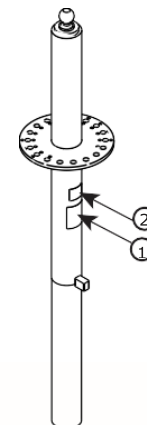
Za više informacija o instalaciji proizvoda, pogledajte uputstva za korisnike.

Standardi: CEN/TS 16415:2013, EN795:2012 Tip A, OSHA 1910.140, OSHA 1926.502

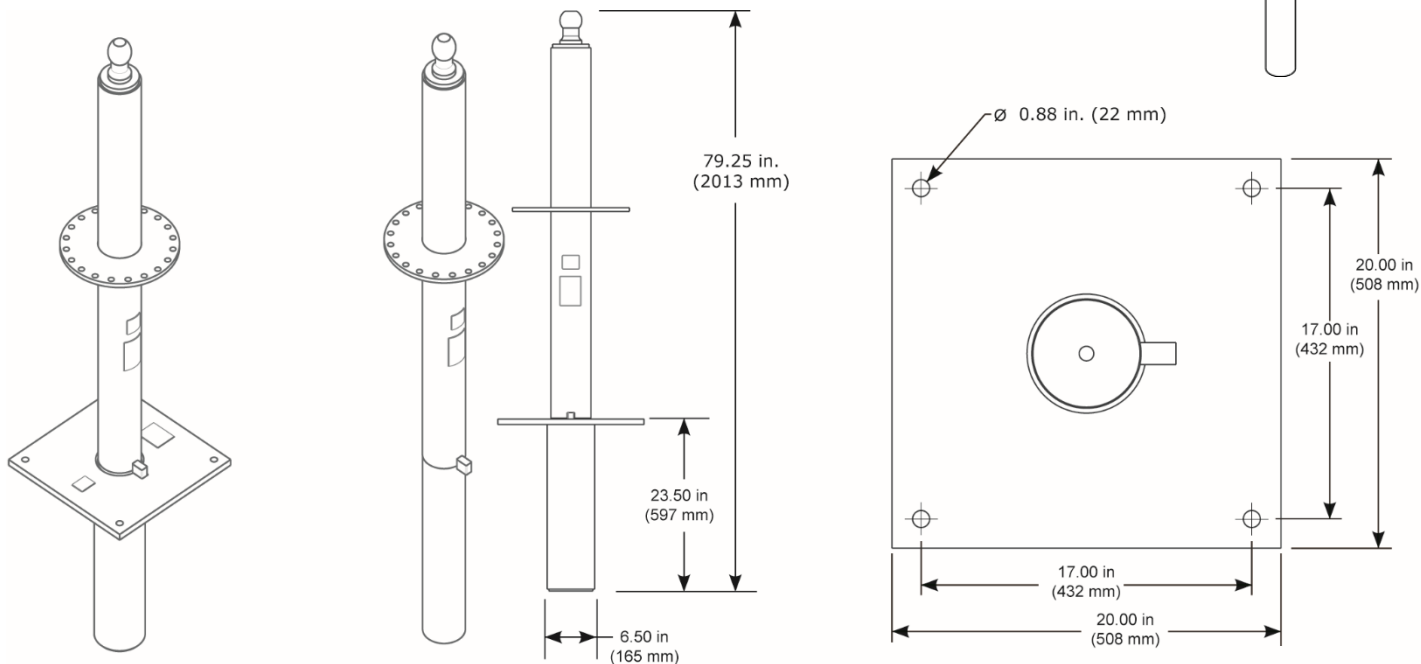
	Težina
8530920	140 lb. (64 kg)



	Težina
8530921	237 lb. (107 kg)



	Težina
8530889	377 lb. (171 kg)

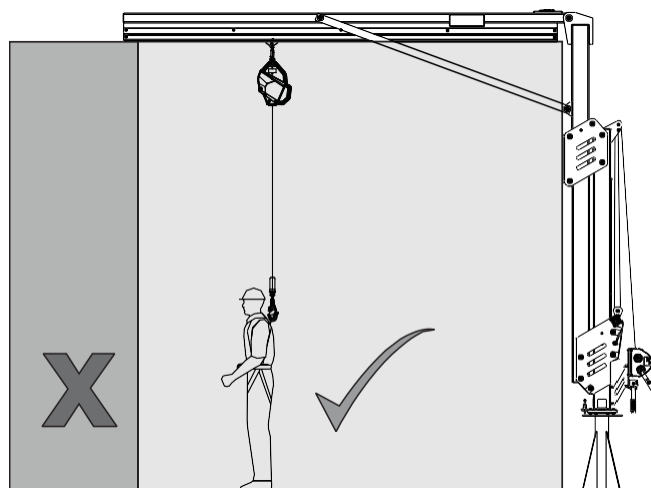
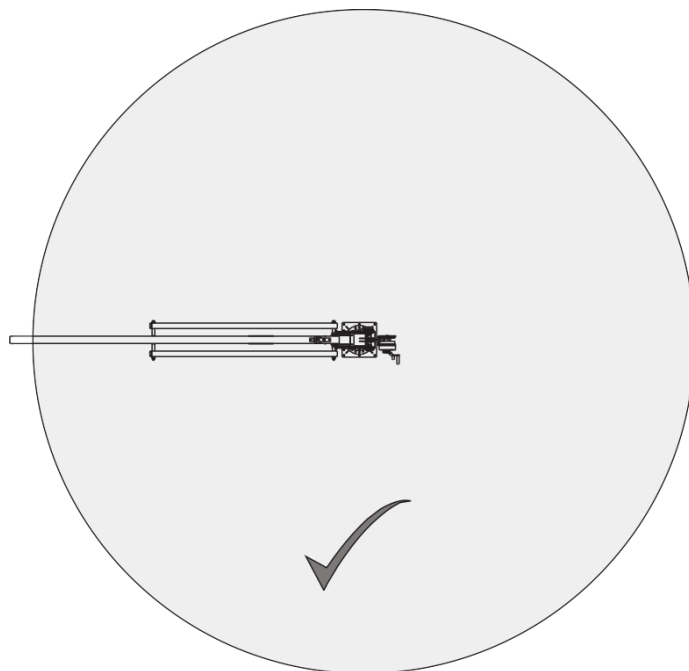


Lista komponenti				
	Broj dela	Opis	Materijal	Količina
1	9515114	Etiketa za korisnika	Poliester	1
2	9514429	ID etiketa	Poliester	1
3	8550165	Poklopac baze	Aluminijum, Guma	1

Zahtevi za montažu	
Minimalno opterećenje momenta strukture montaže	Minimalno vertikalno opterećenje strukture montaže
501,633 in-lb. (56,677 N-m)	3,320 lb. (1,506 kg) + Težina baze + Težina M200 kraka jib dizalice

PRIMENA:

Pogledajte dijagram ispod za radnu površinu proizvoda.



Set za džep viljuške

TEHNIČKI LIST PODATAKA: 8530912

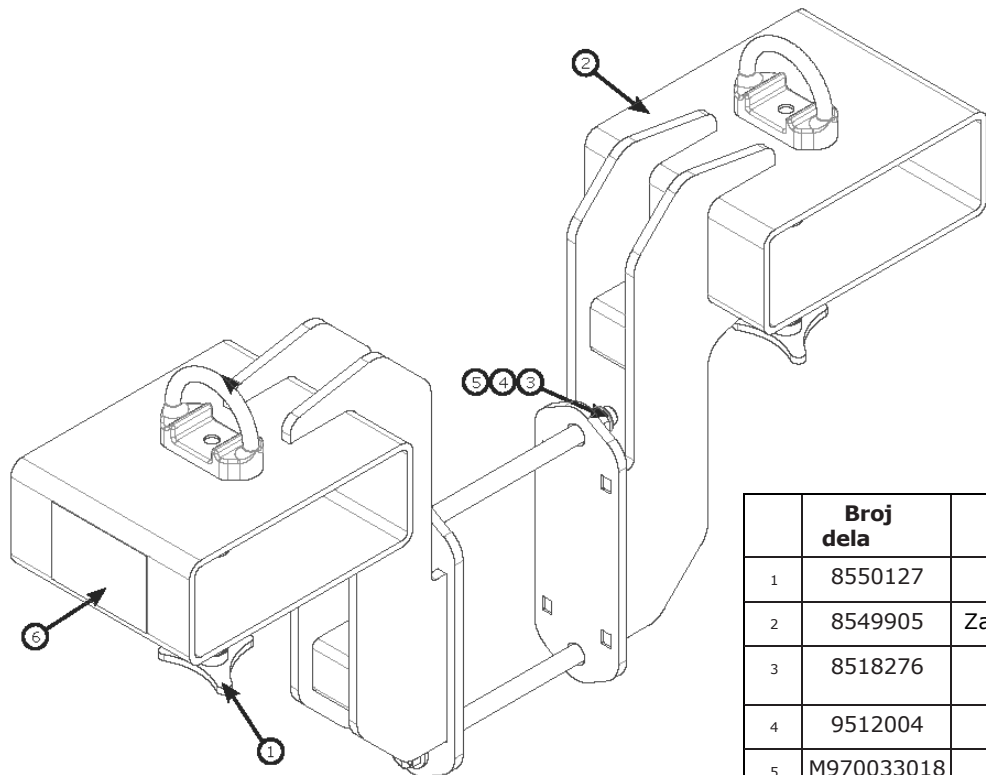
3M

DBI
SALA
Fall Protection

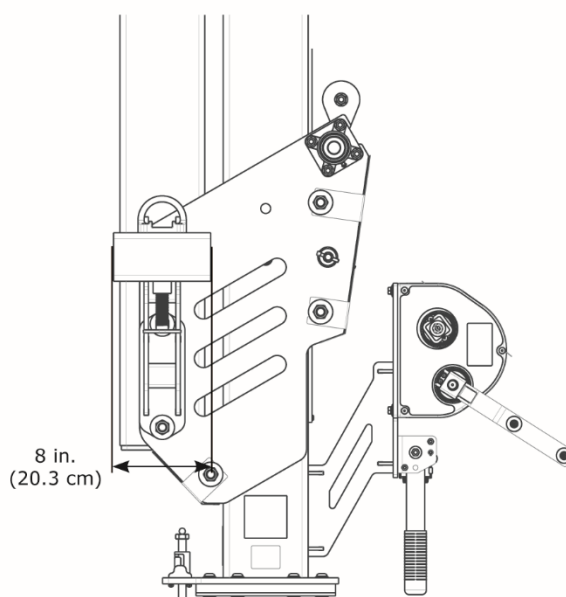
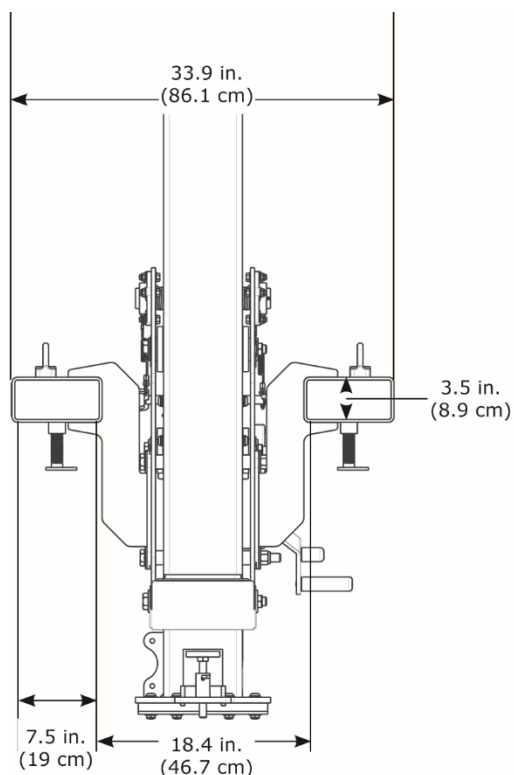
PRIMENA:

Ovaj model seta za džep viljuške je dizajniran za transport modela davita sa vitlom **8530891-8530898**.

Za više informacija o instalaciji komponenti, pogledajte uputstva za korisnike.



	Broj dela	Komponenta	Količina
1	8550127	Tri-šraf	2
2	8549905	Zavareni džep viljuške	2
3	8518276	3/4" Šestougaona navrtka	2
4	9512004	3/4" x 12" Vijak	2
5	M970033018	3/4" Podloška	4
6	9515122	Etiketa za korisnika	1
	9500146	Karika lanca	2
	8517096	Lanac	10 ft.



Set za džep viljuške

TEHNIČKI LIST PODATAKA: 8530922

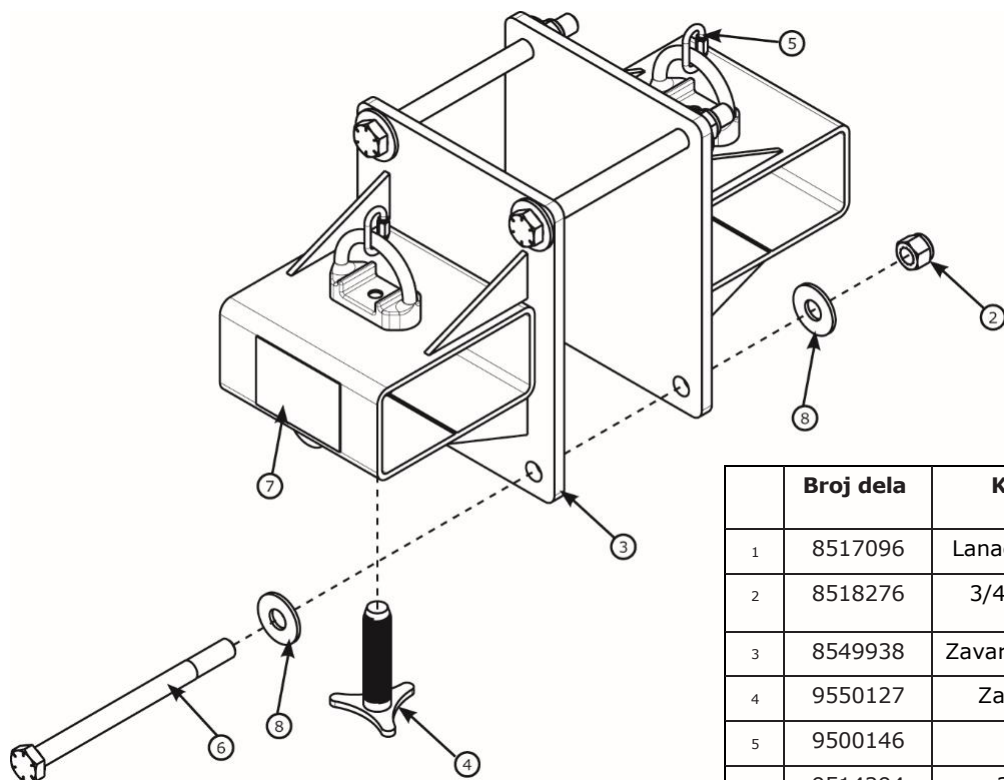
3M

**DBI
SALA®**
Fall Protection

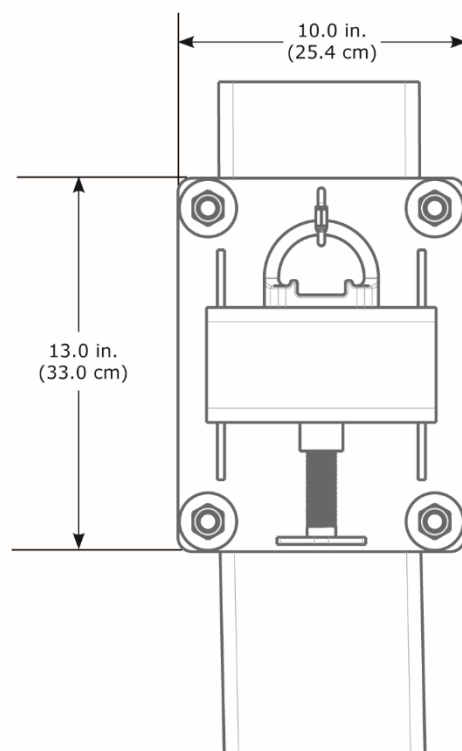
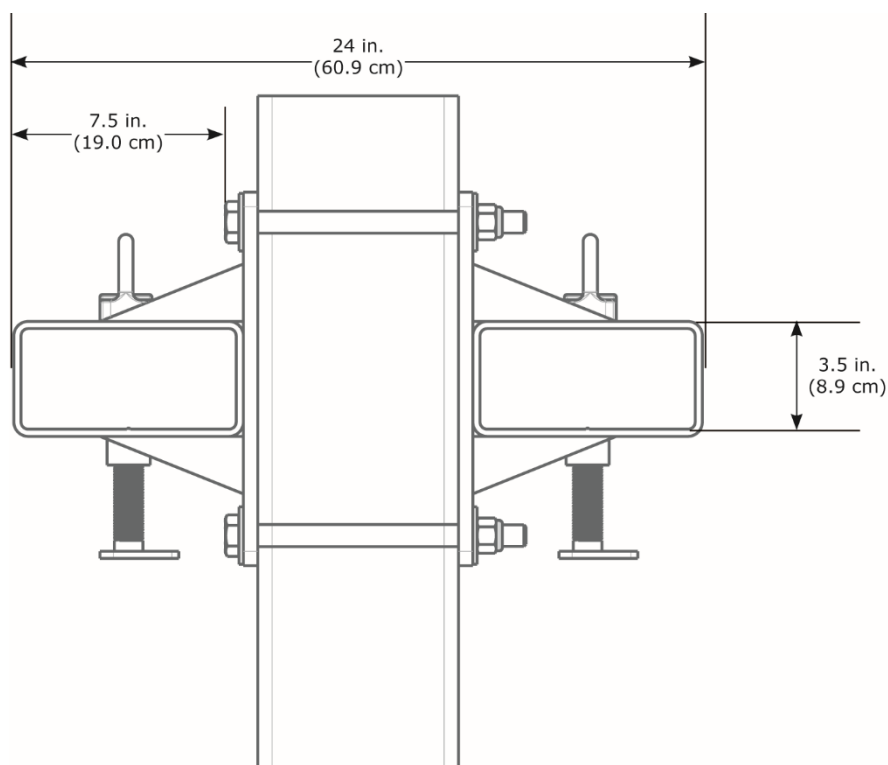
PRIMENA:

Ovaj model seta za džep viljuške je dizajniran za transport davita sa modelima kanala za podešavanje **8530899-8530904**.

Za više informacija o instalaciji komponenti, pogledajte uputstva za korisnike.



	Broj dela	Komponenta	Količina
1	8517096	Lanac (nije prikazan)	10 ft.
2	8518276	3/4" Šestougaona navrtka	4
3	8549938	Zavareni džep viljuške	2
4	9550127	Zavareni tri-šraf	2
5	9500146	Brza karika	2
6	9514294	3/4" Vijak sa šestougaonim glavom	4
7	9515573	Upozoravajuća etiketa	1
8	M970033018	3/4" Podloška	8



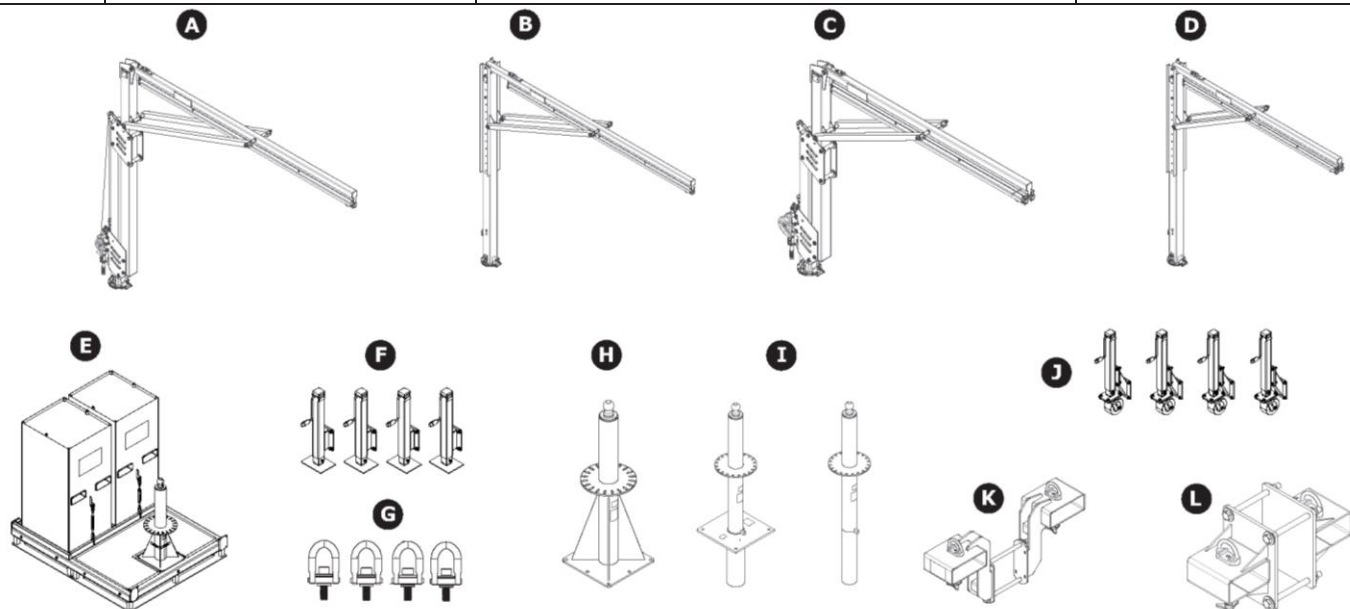


Fall Protection

**3M™ DBI-SALA®
M200 Davitsystem**

**Tekniskt Databladspaket
5908526 Rev. D**

Utrop	Tekniskt datablad	Beskrivning	Sida
A	8530891	12,3 ft.–15 ft. (3,8 m–4,6 m) Justerbar Davit	524
	8530892	14,8 ft.–20 ft. (4,5 m–6,1 m) Justerbar Davit	524
	8530893	17,3 ft.–25 ft. (5,3 m–7,6 m) Justerbar Davit	524
	8530894	19,8 ft.–30 ft. (6,1 m–9,1 m) Justerbar Davit	524
B	8530899	15 ft.–20 ft. (4,6 m–6,1 m) Halvfast Davit	526
	8530900	20 ft.–25 ft. (6,1 m–7,6 m) Halvfast Davit	526
	8530901	25 ft.–30 ft. (7,6 m–9,1 m) Halvfast Davit	526
C	8530895	12,3 ft.–15 ft. (3,8 m–4,6 m) Justerbar Davit	528
	8530896	14,8 ft.–20 ft. (4,5 m–6,1 m) Justerbar Davit	528
	8530897	17,3 ft.–25 ft. (5,3 m–7,6 m) Justerbar Davit	528
	8530898	19,8 ft.–30 ft. (6,1 m–9,1 m) Justerbar Davit	528
D	8530902	15 ft.–20 ft. (4,6 m–6,1 m) Halvfast Davit	530
	8530903	20 ft.–25 ft. (6,1 m–7,6 m) Halvfast Davit	530
	8530904	25 ft.–30 ft. (7,6 m–9,1 m) Halvfast Davit	530
E	8530886	Ofylld Motviktsbas	532
	8530887	Fylld Motviktsbas	532
F	8530907	Motviktsbas Domkrafter	534
G	8530777	Motviktsbas Lyftöglor	534
H	8530888	Golvmonterad Bas	536
I	8530889, 8530920, 8530921	Infälld Monteringsbas	537
J	8530908	Motviktsbas Hjul	534
K	8530912	Gaffelficka Kit	539
L	8530925	Gaffelficka Kit	540



Justerbar Davit

TEKNISKT DATABLAD: 8530891–8530894




Fall Protection


APPLIKATION:

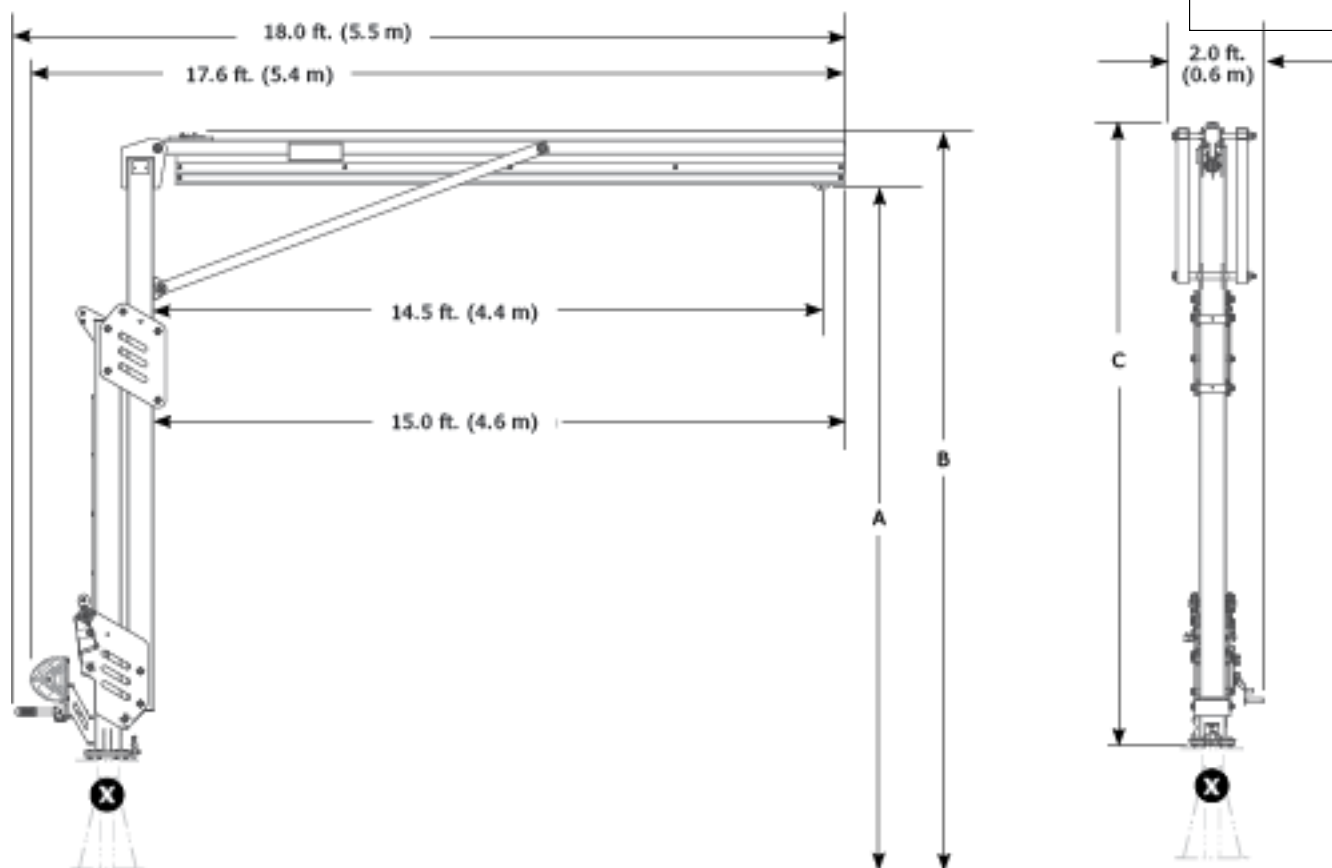
Davitarmen är utformad för att ge förankringspunkter för ett fallskyddssystem.

För mer information om produktinstallationen, se bruksanvisningen.

Standarder: EN795:2012 Typ E, OSHA 1910.140, OSHA 1926.502


≤ 1350 lb.
(6 kN)

1x

≤ 310 lb.
(140 kg)



	A	B	C	lb. (kg)
8530891	12.3 ft. – 15.0 ft. (3.8 m – 4.6 m)	13.4 ft. – 16.1 ft. (4.1 m – 4.9 m)	9.8 ft. – 14.8 ft. (3.0 m – 4.5 ft.)	945 lb. (429 kg)
8530892	14.8 ft. – 20.0 ft. (4.5 m – 6.1 m)	15.9 ft. – 21.1 ft. (4.8 m – 6.4 m)	13.5 ft. – 18.7 ft. (4.1 m – 5.7 m)	1,057 lb. (479 kg)
8530893	17.3 ft. – 25.0 ft. (5.3 m – 7.6 m)	18.4 ft. – 26.1 ft. (5.6 m – 8.0 m)	16.0 – 23.7 ft. (4.9 m – 7.2 m)	1,169 lb. (530 kg)
8530894	19.8 ft. – 30.0 ft. (6.0 m – 9.1 m)	20.9 ft. – 31.1 ft. (6.4 m – 9.5 m)	18.5 ft. – 28.7 ft. (5.6 m – 8.7 m)	1,281 lb. (581 kg)

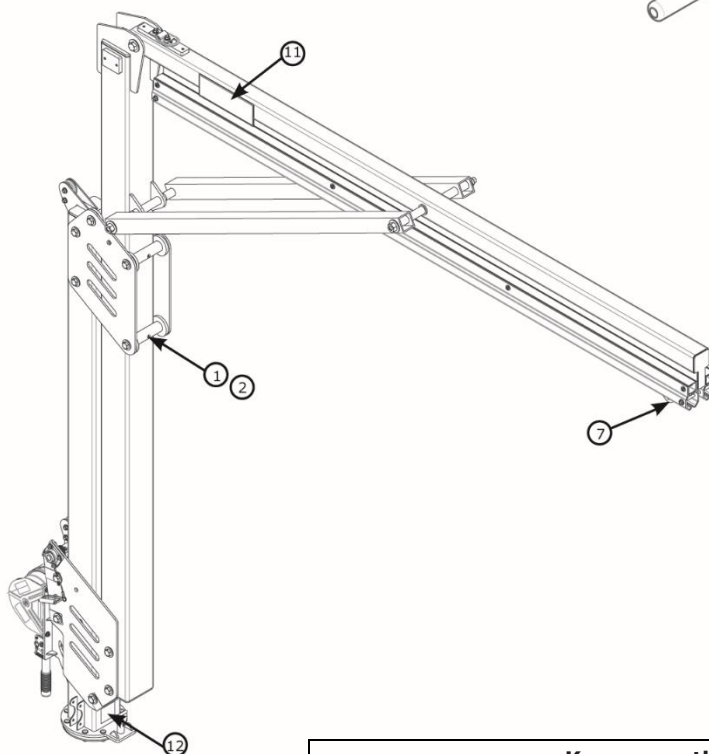
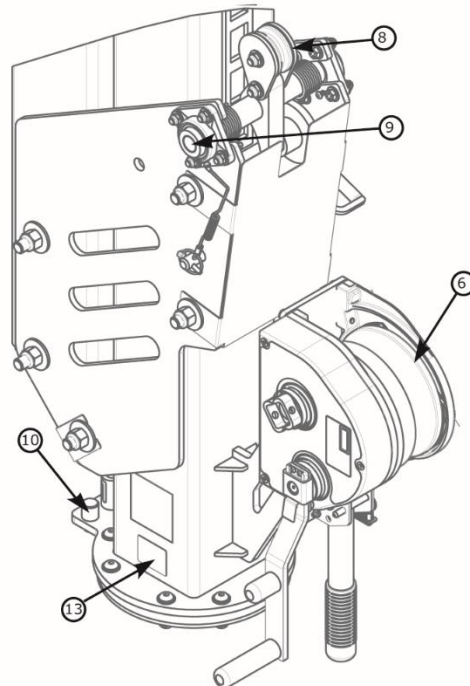
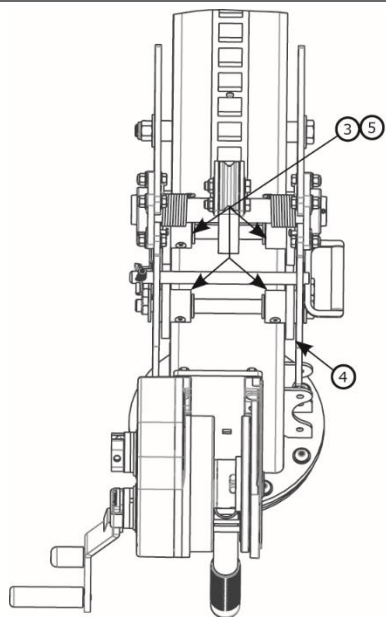
Justerbara Davitkomponenter

TEKNISKT DATABLAD: 8530891-8530894

3M

**DBI
SALA**

Fall Protection



Komponentlista				
	Artikeln umner	Beskrivning	Material	Kvantitet
1	8550046	Bred Rulle	Nylon	3
2	8550047	Bred Rulldistans	304 Rostfritt Stål	3
3	8550327	Smal Rulle	Nylon	2
4	9514703	Sidorulle	Nylon	8
5	8550213	Smal Rulldistans	304 Rostfritt Stål	2
6	8549930	Vinsch	Stål	1
7	8521711	Vagn	Stål, Nylon	1

Komponentlista				
	Artikeln umner	Beskrivning	Material	Kvantitet
8	8550223	Låsmekanism (endast auktoriserad reparation)	Stål, Nylon	1
9	9515138	Lager	Stål	2
10	8550398	Rotationsstopp	Aluminium	2
11	9515111	3M Etikett	Polyester	2
12	9515101	Rotationsetikett	Polyester	1
13	9514429	ID Etikett	Polyester	1
14	9515112	Användaretikett	Polyester	1

Halvfast Davit

TEKNISKT DATABLAD: 8530899-8530901




Fall Protection


APPLIKATION:

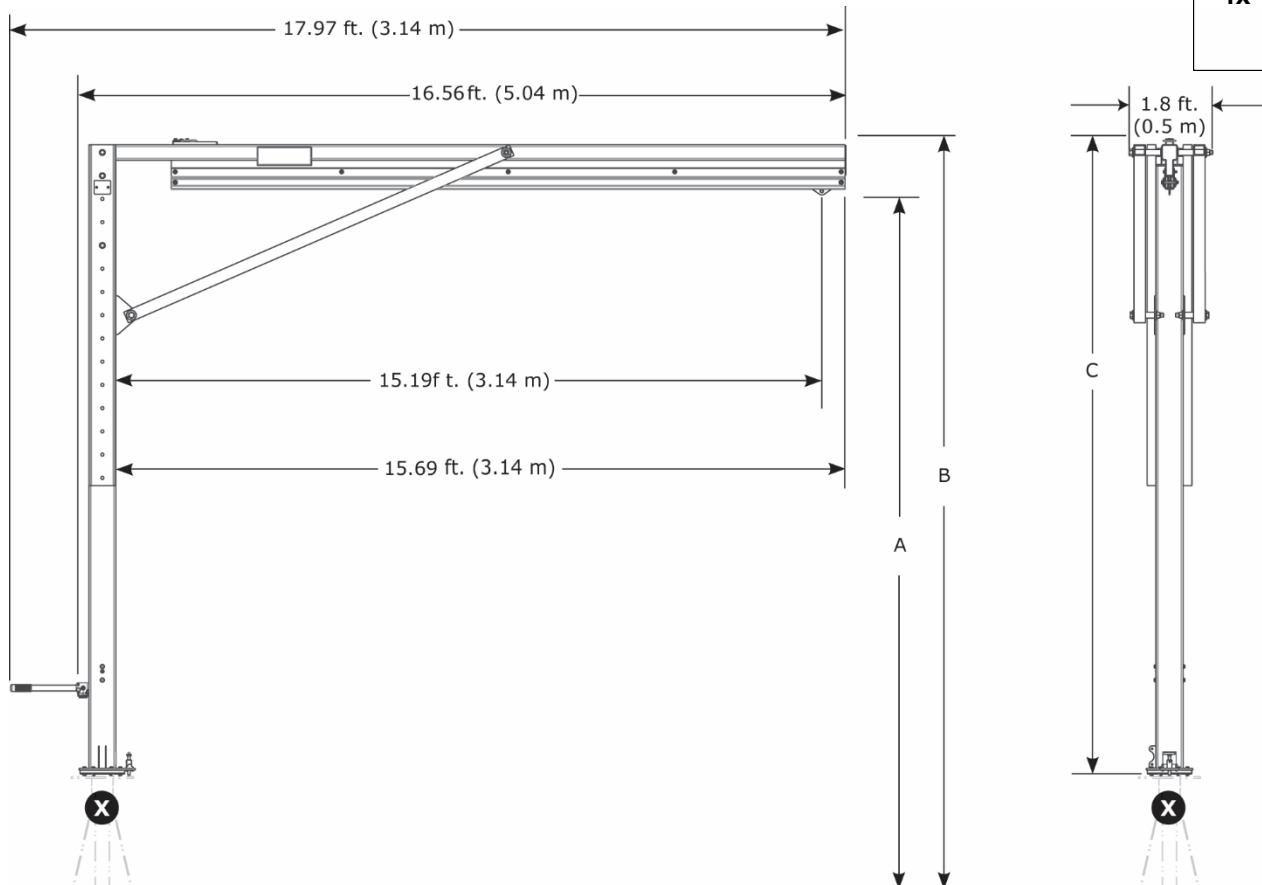
Davitarmen är utformad för att ge förankringspunkter för ett fallskyddssystem.

För mer information om produktinstallationen, se bruksanvisningen.

Standarder: EN795:2012 Typ E, OSHA 1910.140, OSHA 1926.502

 ≤ 1350 lb.
(6 kN)

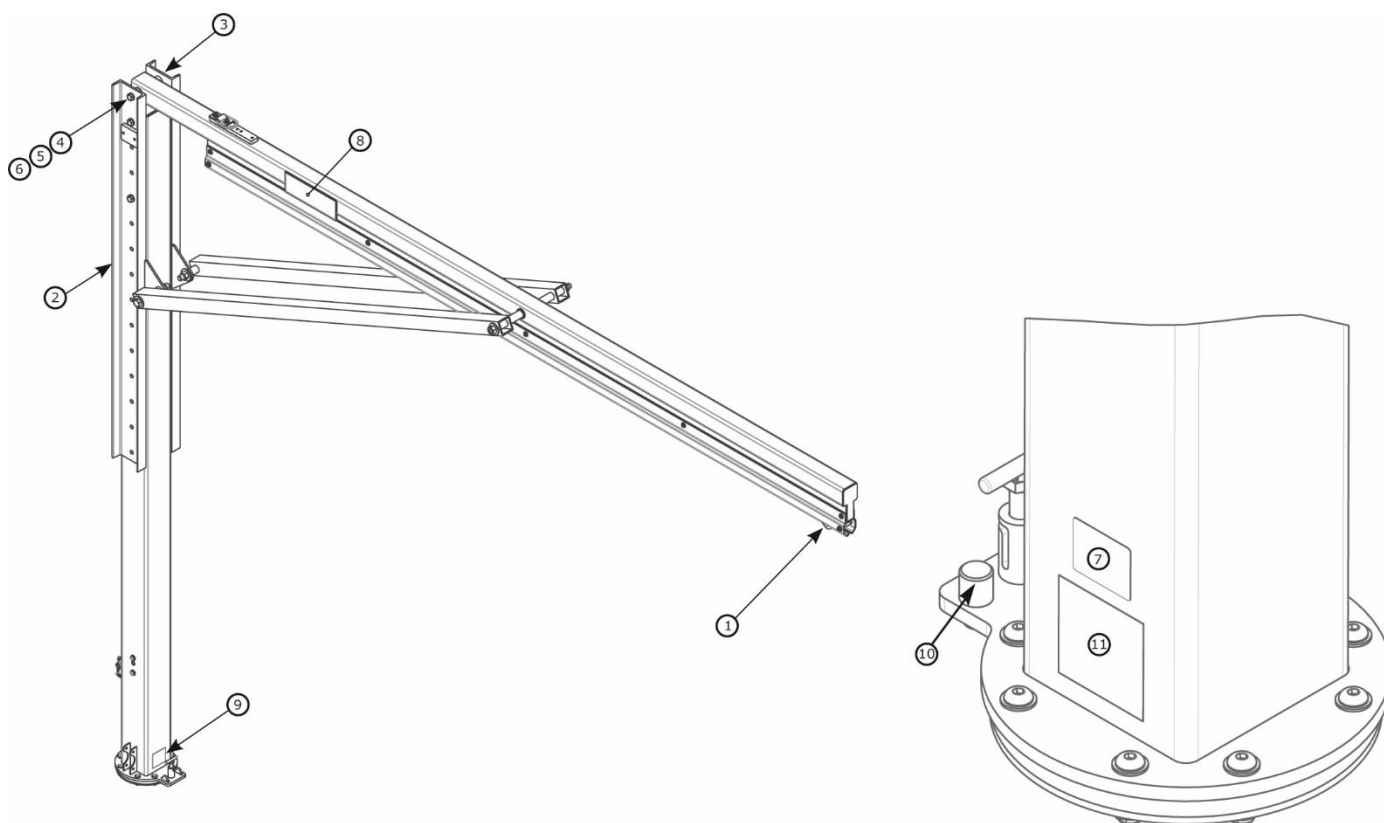
 1x ≤ 310 lb.
(140 kg)



	A	B	C	lb. (kg)
8530899	15.0 ft. – 20.0 ft. (4.6 m – 6.1 m)	16.1 ft. – 21.1 ft. (4.9 m – 6.4 m)	13.7 ft. – 18.7 ft. (4.2 m – 5.7 m)	818 lb. (371 kg)
8530900	20.0 ft. – 25.0 ft. (6.1 m – 7.6 m)	21.1 ft. – 26.1 ft. (6.4 m – 7.9 m)	18.7 ft. – 23.7 ft. (5.7 m – 7.2 m)	930 lb. (422 kg)
8530901	25.0 ft. – 30.0 ft. (7.6 m – 9.1 m)	26.1 ft. – 31.1 ft. (7.9 m – 9.6 m)	23.7 ft. – 28.7 ft. (7.2 m – 8.7 m)	1,041 lb. (472 kg)
	+6" (152 mm) justeringssteg			

Halvfasta Davitkomponenter

TEKNISKT DATABLAD: 8530899-8530901



	Artikeln nummer	Beskrivning	Material	Kvantitet
1	8521711	Vagn	Rostfritt Stål, Stål, Nylon	1
2	8549933	Räddningsfä- ste Kanal	Stål	1
3	8550248	Kanal	Stål	1
4	8526654	3/4" x 9" Bult	Stål	2
5	8522275	3/4" Bricka	Stål	4
6	8518276	3/4" Mutter	Stål	2
7	9514429	ID Etikett	Polyester	1

	Artikeln nummer	Beskrivning	Material	Kvantitet
8	9515111	3M Etikett	Polyester	2
9	9515101	Rotationsetikett	Polyester	1
10	8550398	Rotationsstopp	Aluminium	2
11	9515112	Användaretikett	Polyester	1

Justerbar Davit

TEKNISKT DATABLAD: 8530895–8530898

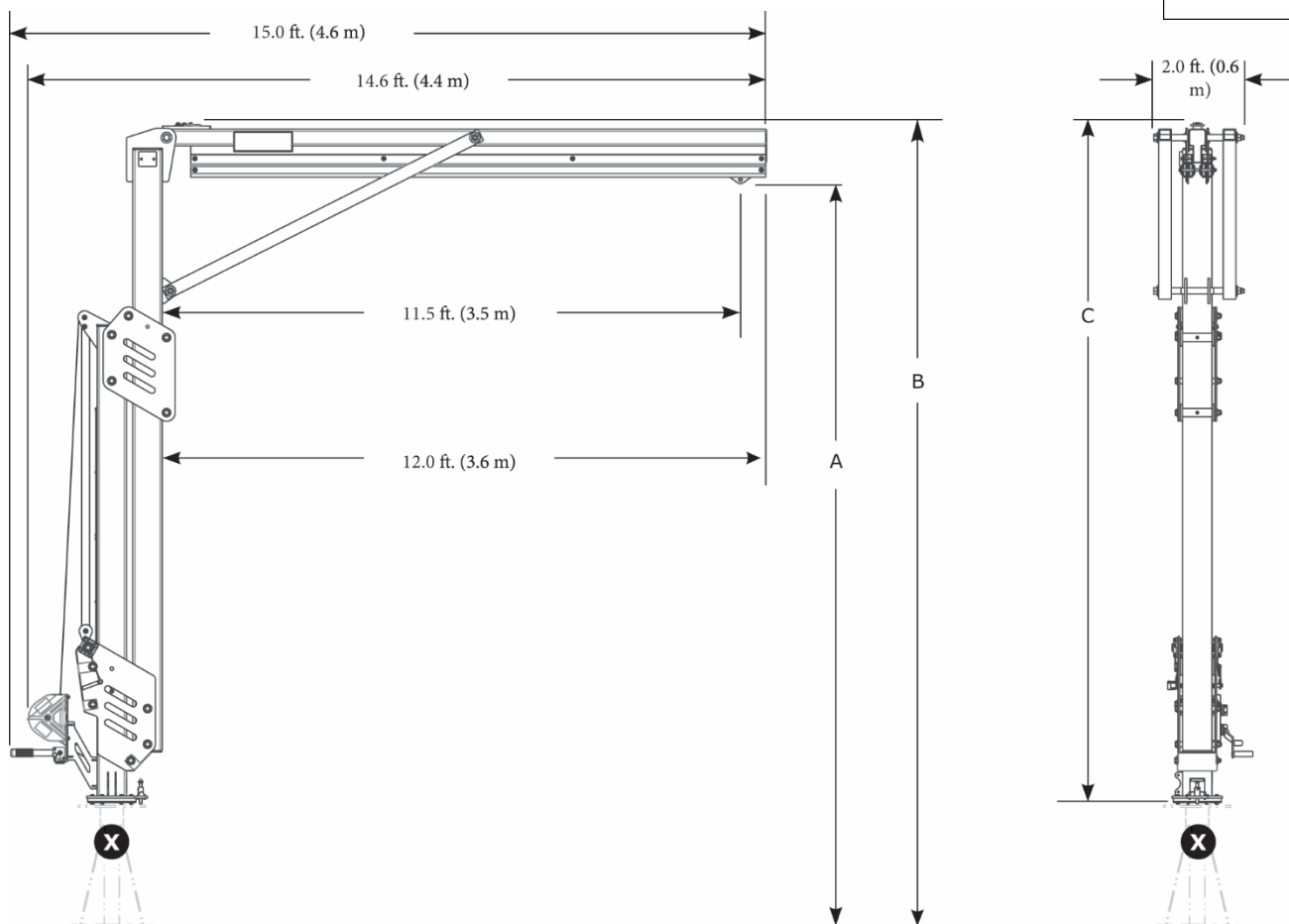
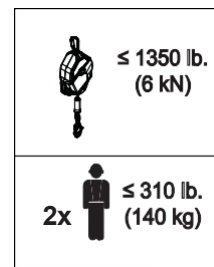


APPLIKATION:

Davitarmen är utformad för att ge förankringspunkter för ett fallskyddssystem.

För mer information om produktinstallationen, se bruksanvisningen.

Standarder: CEN/TS 16415:2013 Typ E, EN795:2012 Typ E, OSHA 1910.140, OSHA 1926.502



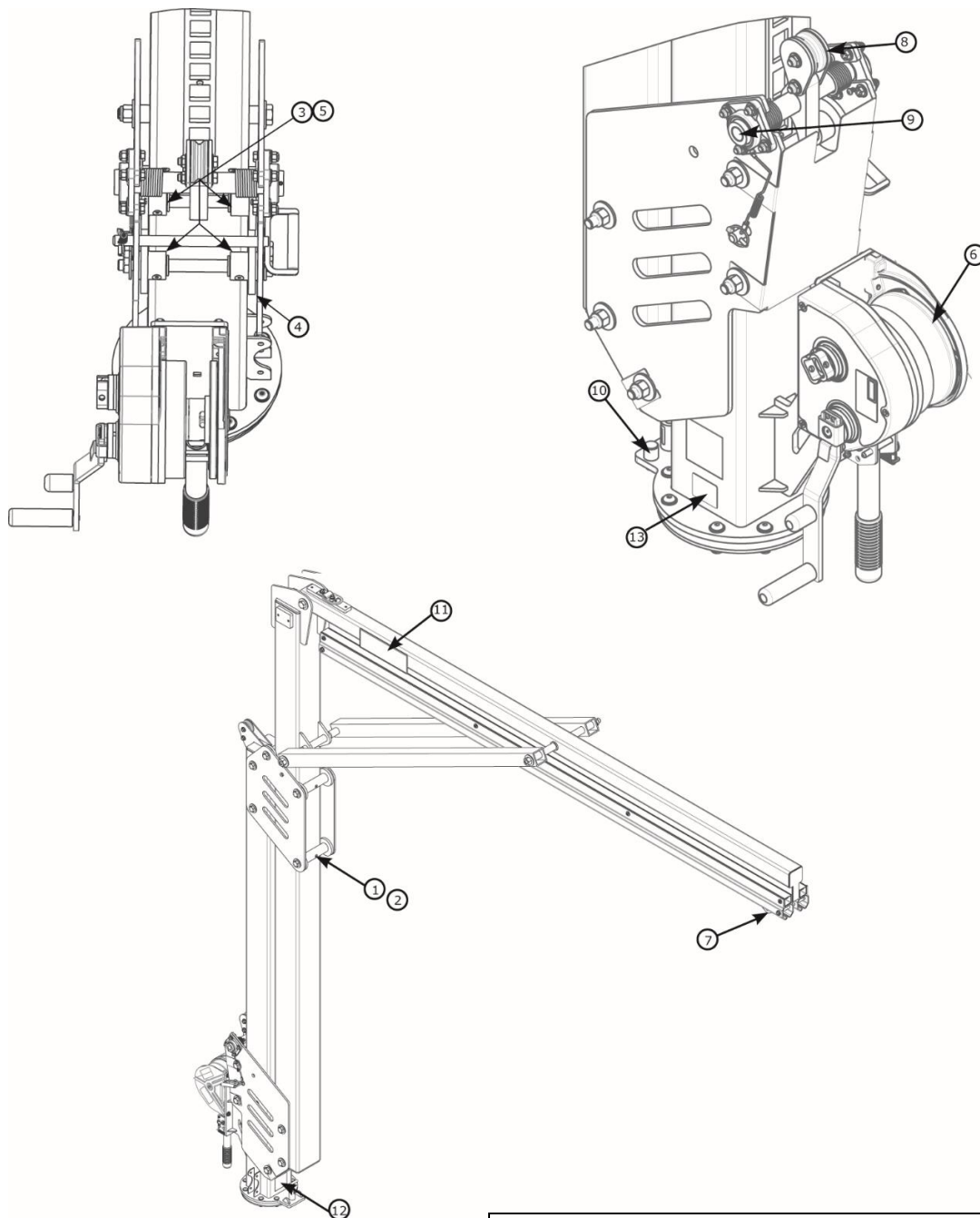
	A	B	C	lb. (kg)
8530895	12.3 ft. – 15.0 ft. (3.8 m – 4.6 m)	13.4 ft. – 16.1 ft. (4.1 m – 4.9 m)	11.0 ft. – 13.7 ft. (3.4 m – 4.2 ft.)	1,011 lb. (459 kg)
8530896	14.8 ft. – 20.0 ft. (4.5 m – 6.1 m)	15.9 ft. – 21.1 ft. (4.8 m – 6.4 m)	13.5 ft. – 18.7 ft. (4.1 m – 5.7 m)	1,123 lb. (509 kg)
8530897	17.3 ft. – 25.0 ft. (5.3 m – 7.6 m)	18.4 ft. – 26.1 ft. (5.6 m – 8.0 m)	16.0 – 23.7 ft. (4.9 m – 7.2 m)	1,235 lb. (560 kg)
8530898	19.8 ft. – 30.0 ft. (6.0 m – 9.1 m)	20.9 ft. – 31.1 ft. (6.4 m – 9.5 m)	18.5 ft. – 28.7 ft. (5.6 m – 8.7 m)	1,343 lb. (609 kg)

Justerbara Davitkomponenter

TEKNISKT DATABLAD: 8530895–8530898

3M

DBI
SALA
Fall Protection



Komponentlista				
	Artikeln ummer	Beskrivning	Material	Kvantitet
1	8550046	Bred Rulle	Nylon	3
2	8550047	Bred Rulldistans	304 Rostfritt Stål	3
3	8550327	Smal Rulle	Nylon	2
4	9514703	Sidorulle	Nylon	8
5	8550213	Smal Rulldistans	304 Rostfritt Stål	2
6	8549930	Vinsch	Stål	1
7	8521711	Vagn	Stål, Nylon	1

Komponentlista				
	Artikeln ummer	Beskrivning	Material	Kvantitet
8	8550223	Låsmekanism (endast auktoriserad reparation)	Stål, Nylon	1
9	9515138	Lager	Stål	2
10	8550398	Rotationsstopp	Aluminium	2
11	9515111	3M Etikett	Polyester	2
12	9515101	Rotationsetikett	Polyester	1
13	9514429	ID Etikett	Polyester	1
14	9515112	Användareetikett	Polyester	1

Halvfast Davit

TEKNISKT DATABLAD: 8530902–8530904




APPLIKATION:


Davitarmen är utformad för att ge förankringspunkter för ett fallskyddssystem.

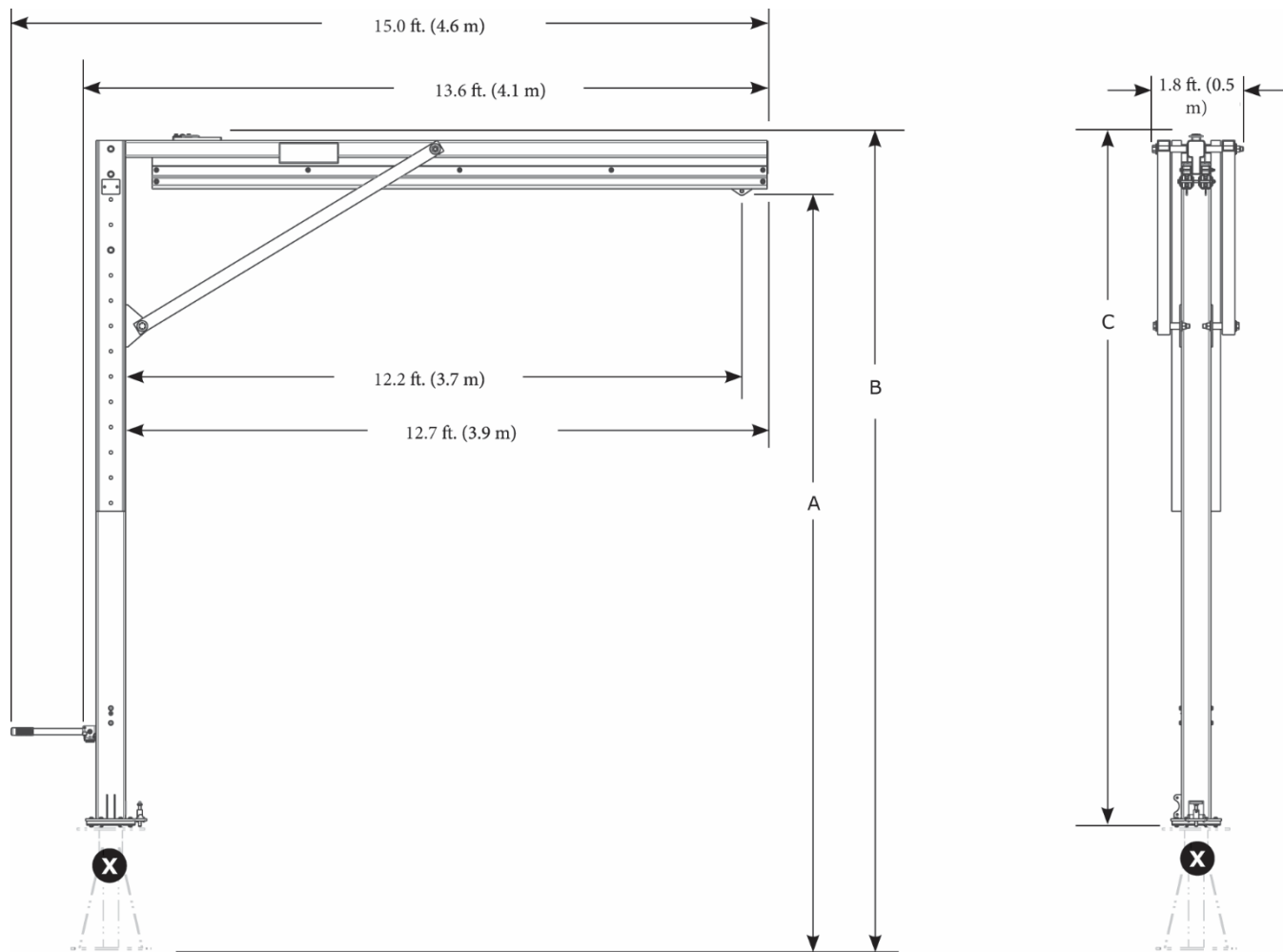
För mer information om produktinstallationen, se bruksanvisningen.

Standarder: CEN/TS 16415:2013 Typ E, EN795:2012 Typ E, OSHA 1910.140, OSHA 1926.502



≤ 1350 lb.
(6 kN)

2x  ≤ 310 lb.
(140 kg)



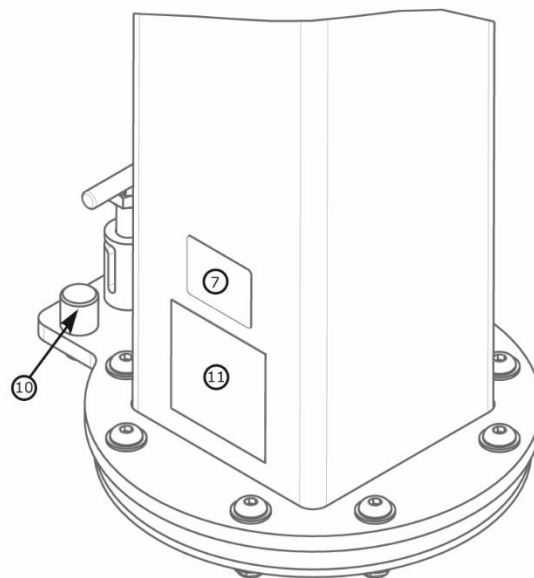
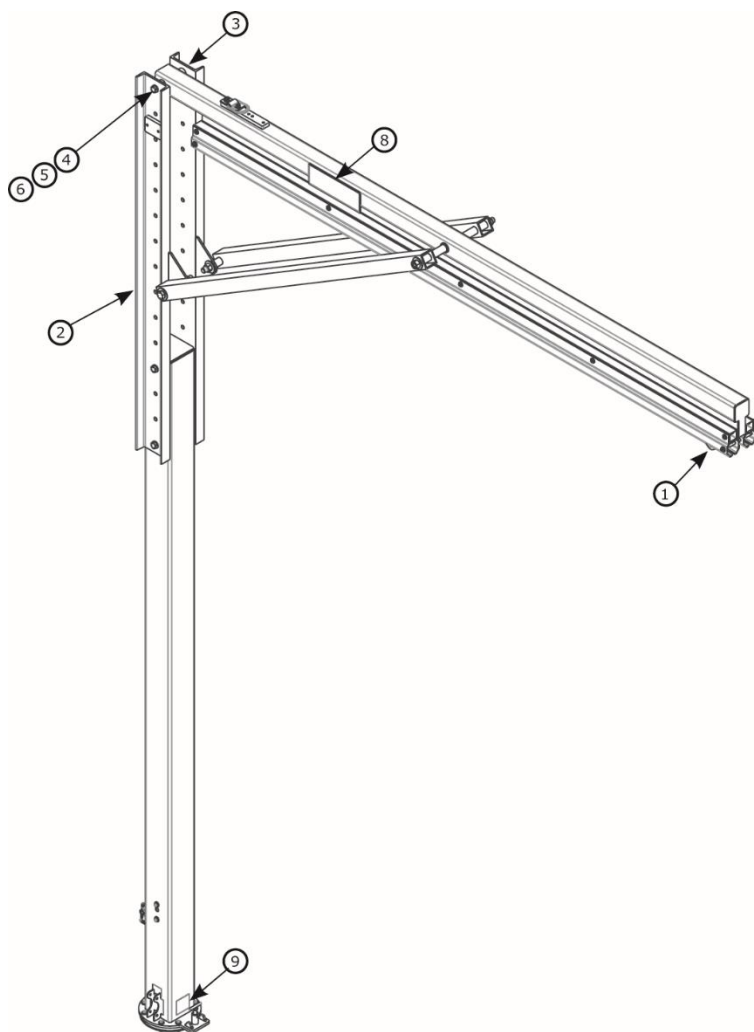
	A	B	C	lb. (kg)
8530902	15.0 ft. – 20.0 ft. (4.6 m – 6.1 m)	16.1 ft. – 21.1 ft. (4.9 m – 6.4 m)	13.7 ft. – 18.7 ft. (4.2 m – 5.7 m)	850 lb. (386 kg)
8530903	20.0 ft. – 25.0 ft. (6.1 m – 7.6 m)	21.1 ft. – 26.1 ft. (6.4 m – 7.9 m)	18.7 ft. – 23.7 ft. (5.7 m – 7.2 m)	961 lb. (436 kg)
8530904	25.0 ft. – 30.0 ft. (7.6 m – 9.1 m)	26.1 ft. – 31.1 ft. (7.9 m – 9.6 m)	23.7 ft. – 28.7 ft. (7.2 m – 8.7 m)	1,073 lb. (487 kg)

Halvfasta Davitkomponenter

TEKNISKT DATABLAD: 8530902–8530904

3M

**DBI
SALA®**
Fall Protection



	Artikeln ummer	Beskrivning	Material	Kvantitet
1	8521711	Vagn	Rostfritt Stål, Stål, Nylon	1
2	8549933	Räddningsfäs- te Kanal	Stål	1
3	8550248	Kanal	Stål	1
4	8526654	3/4" x 9" Bult	Stål	2
5	8522275	3/4" Bricka	Stål	4
6	8518276	3/4" Mutter	Stål	2
7	9514429	ID Etikett	Polyester	1

	Artikeln ummer	Beskrivning	Material	Kvantitet
8	9515111	3M Etikett	Polyester	2
9	9515101	Rotationsetikett	Polyester	1
10	8550398	Rotationsstopp	Aluminium	2
11	9515112	Användaretikett	Polyester	1

M200 Motviktsbas

TEKNISKT DATABLAD: 8530886, 8530887



APPLIKATION:

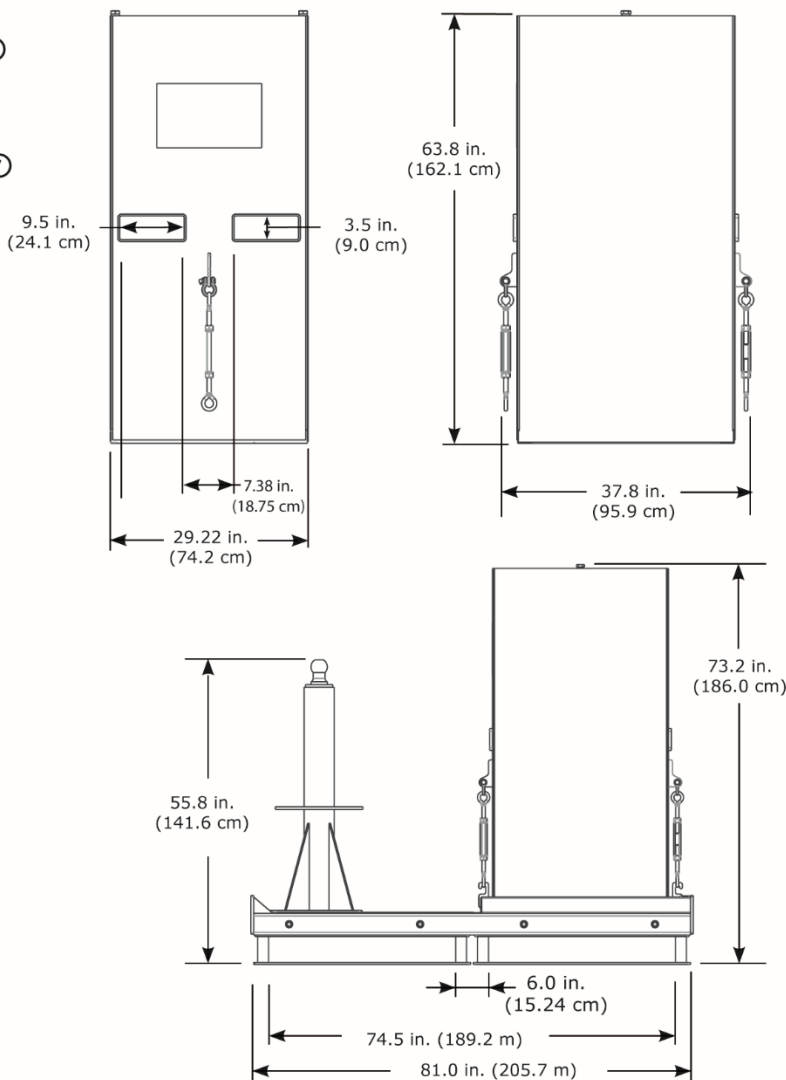
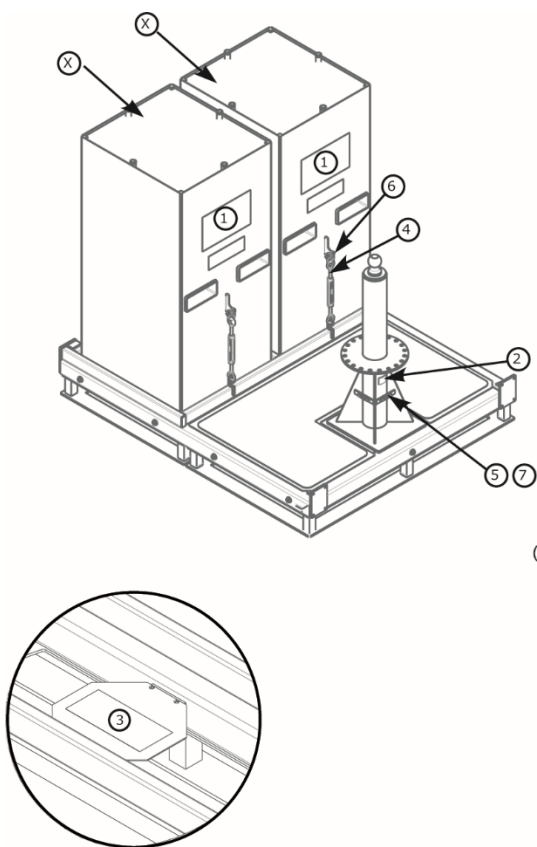
Davitbasen är utformad för att användas som en monteringspunkt för davitsystemet.

För mer information om produktinstallationen, se bruksanvisningen.

Standarder: CEN/TS 16415:2013 Typ E, EN795:2012 Typ E, OSHA 1910.140, OSHA 1926.502

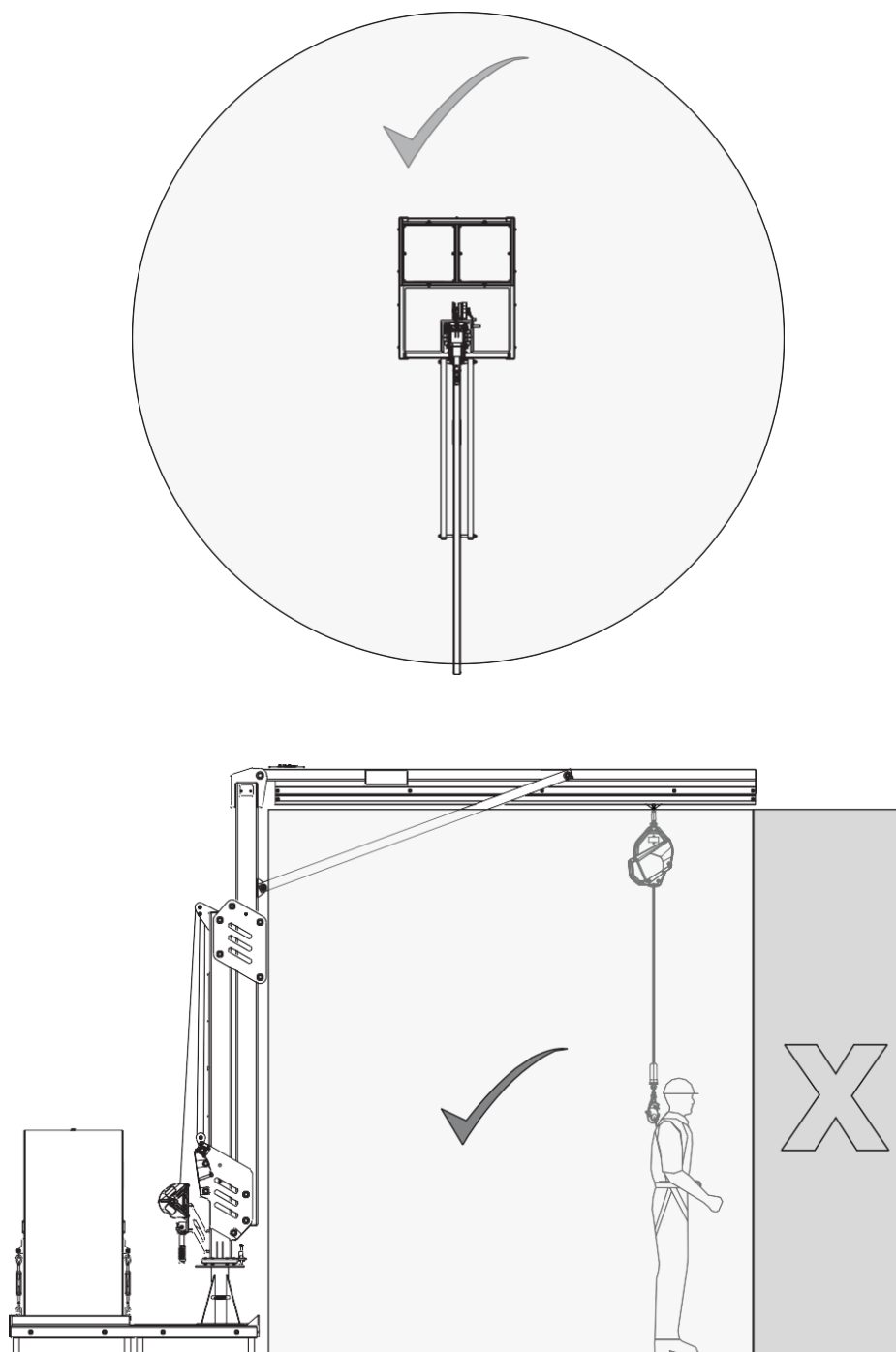
	X 4,000 psi (30 MPa)	Krav på vilostruktur	Vikt
8530886		14,645 lb. (6,643 kg)	2,407 lb. (1,092 kg)
8530887	✓	+ Vikt av M200 Svängkran	11,325 lb. (5,137 kg)

Komponentlista				
	Artikelnummer	Beskrivning	Material	Kvantitet
1	9515107	Användaretikett	Polyester	1
2	9514429	ID Etikett	Polyester	1
3	9515106	Varningsetikett	Polyester	1
4	8520575	Spännskruv	Stål	2
5	9513627	#4 Skruv	Stål	4
6	9501794	Schackel	Stål	2
7	9515058	Libell	Plast	2
8	9515566	Varningsetikett	Polyester	4



APPLIKATION:

Se diagrammet nedan för produktens arbetsområde.



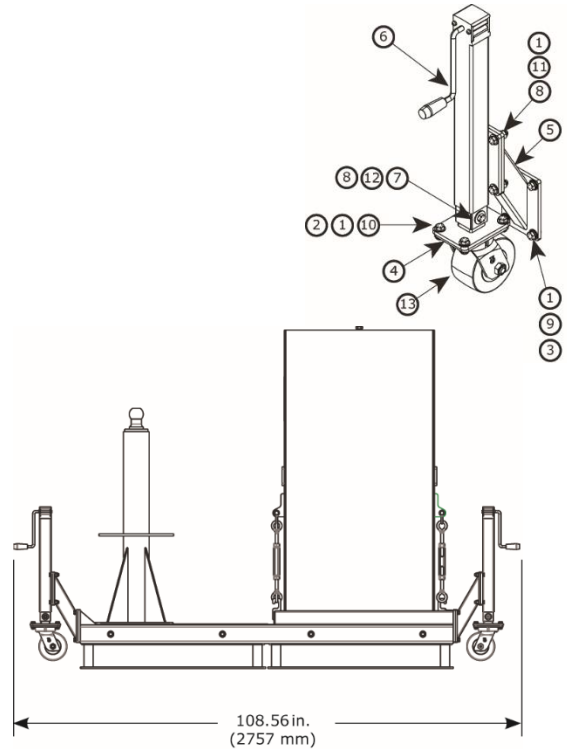
Tillbehör för M200 Motviktsbas

TEKNISKT DATABLAD: 8530907, 8530908, 8530777

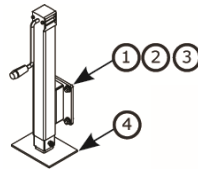


Fall Protection

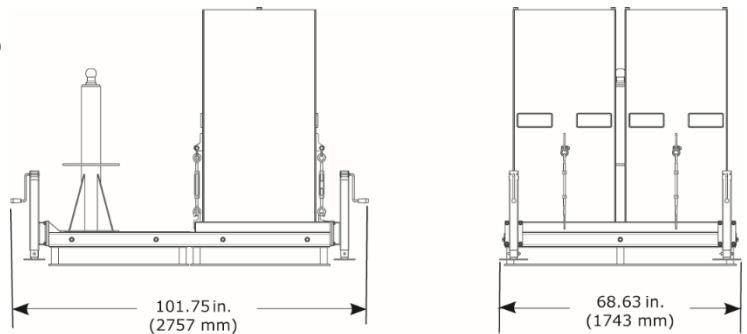
Komponentlista				
	Artikeln nummer	Beskrivning	Material	Kvantitet
1	8510037	1/2" Bricka	Stål	80
2	8512460	1/2" x 1 1/4" Bult	Stål	16
3	8518432	1/2" x 1" Bult	Stål	16
4	8550153	Hjulsvetsning	Stål	4
5	8550155	Vinklad Svetsning	Stål	4
6	8550156	Monterad Svetsning	Stål	4
7	9501243	1/2" Bricka	Stål	8
8	9501831	1/2" Sexkantsmutter	Stål	20
9	9504221	1/2" Bricka	Stål	16
10	9504813	1/2" Sexkantsmutter	Stål	16
11	9509276	1/2" x 1 3/4" Bult	Stål	16
12	9510153	1/2" x 3 1/4" Bult	Stål	4
13	9515081	Svänghjul	Stål, Uretan	4



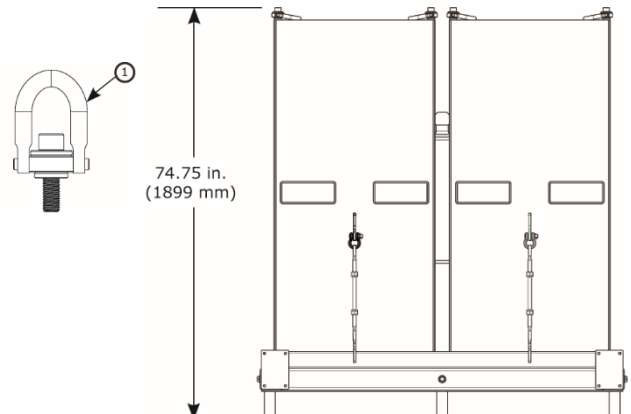
	8530907	8530908	8530777
Vikt	108 lb. (49 kg)	152 lb. (69 kg)	12 lb. (5.4 kg)



	Artikeln nummer	Beskrivning	Material	Kvantitet
1	9504221	1/2" Låsbricka	Stål	16
2	8510037	1/2" Bricka	Stål	16
3	8518432	1/2" x 1" Bult	Stål	16
4	8550177	Hjulsvetsning	Stål	4





Komponentlista				
	Artikeln nummer	Beskrivning	Material	Kvantitet
1	9512574	Lyftögla	Stål	4

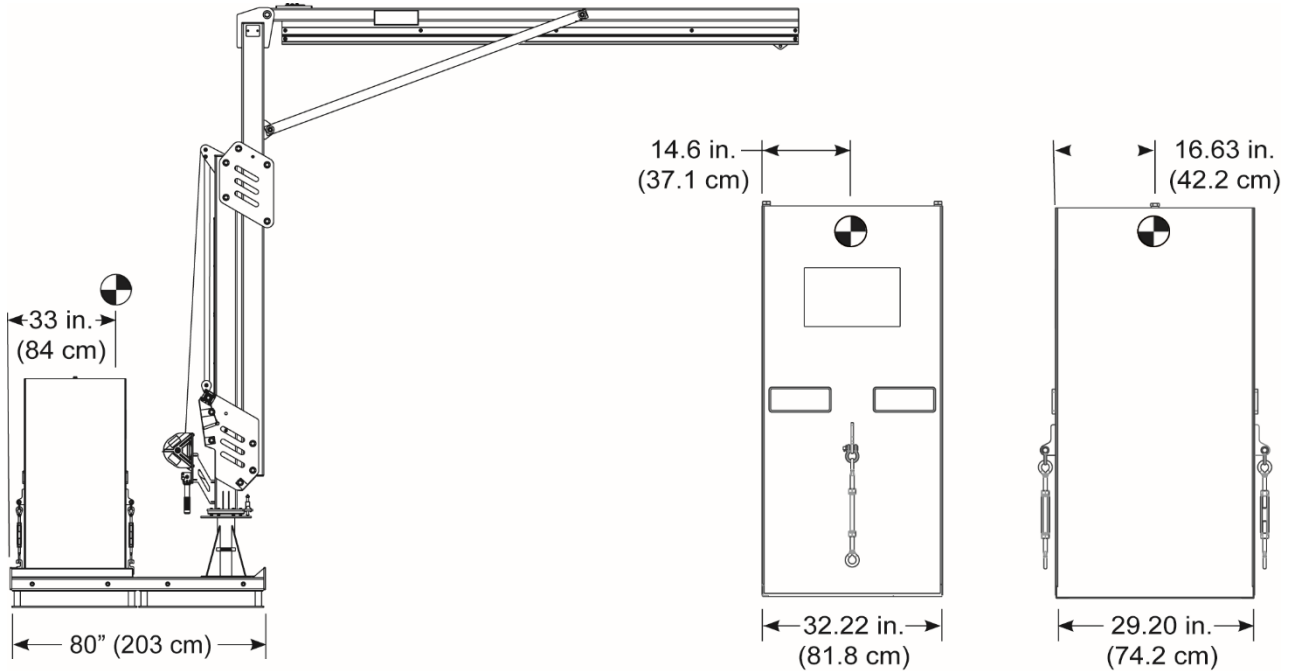



Tyngdpunkt för M200 Motviktsbas
TEKNISKT DATABLAD: 8530886, 8530887




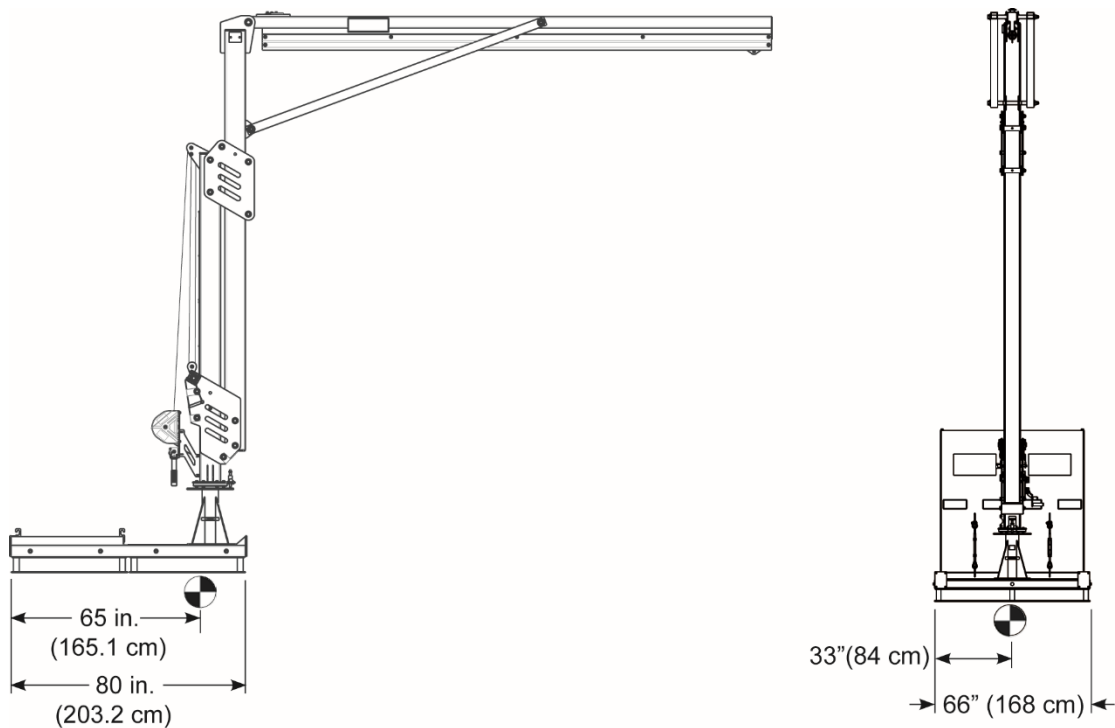
8530887	8530898
 .lb (kg)	12,668 lbs. (5,746 kg)

 .lb (kg)	5,000 lbs. (2,268 kg)
--	--------------------------



8530887	8530898
 .lb (kg)	2,668 lbs. (1,210 kg)

8530887	8530898
 .lb (kg)	12,668 lbs. (5,746 kg)



M200 Golvmonterad Bas

TEKNISKT DATABLAD: 8530888



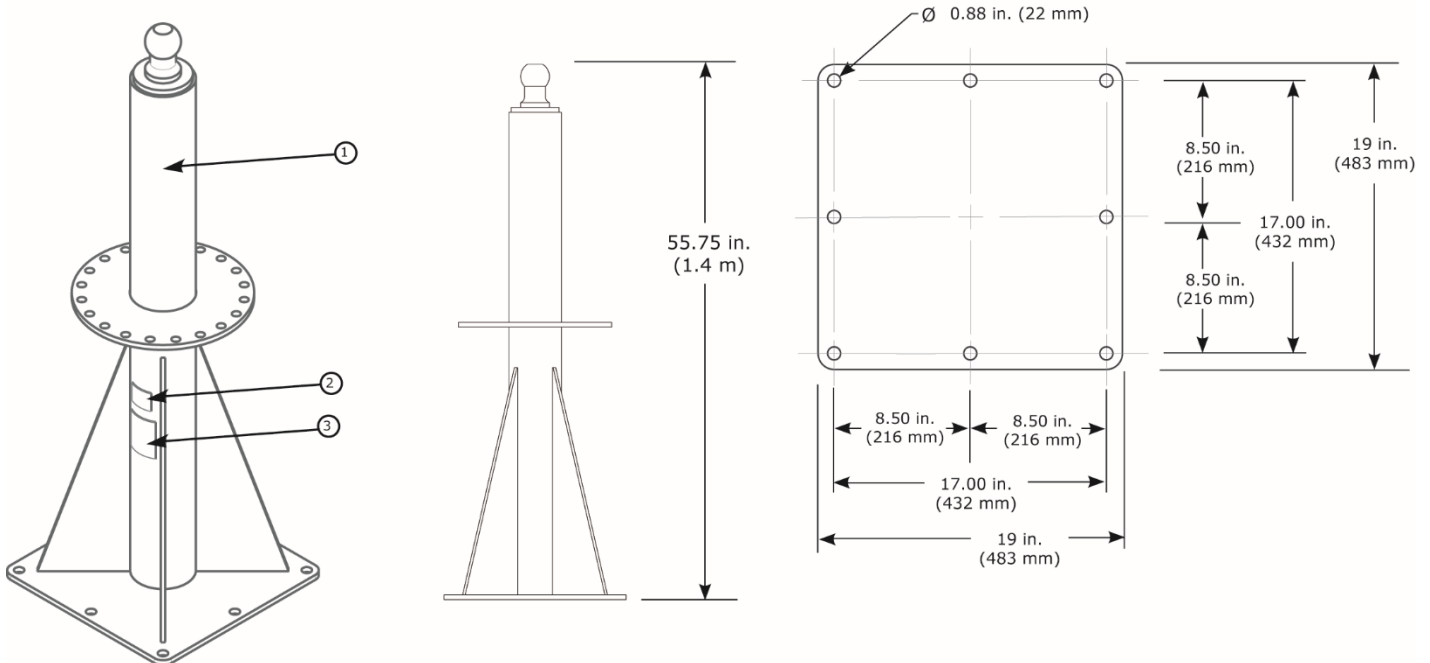
APPLIKATION:

Davitbasen är utformad för att användas som en monteringspunkt för davitsystemet.

För mer information om produktinstallationen, se bruksanvisningen.

Standarder: CEN/TS 16415:2013 Typ A, EN795:2012 Typ A, OSHA 1910.140, OSHA 1926.502

	Vikt
8530888	265 lb. (120 kg)



Komponentlista				
	Artikelnummer	Beskrivning	Material	Kvantitet
1	8549921	Bassvetsning	Stål	1
2	9514429	ID Etikett	Polyester	1
3	9515114	Användaretikett	Polyester	1

Monteringskrav		
Minsta utdragskraft för fästelement	Monteringsstrukturens minsta momentbelastning	Monteringsstrukturens minsta vertikala belastning
9,386 lb. (4,257 kg)	501,633 in.-lb. (56,677 N-m)	3,320 lb. (1,506 kg) + Basvikt + Vikt av M200 Svängkran

M200 Infälld Monteringsbas

TEKNISKT DATABLAD: 8530889, 8530920, 8530921



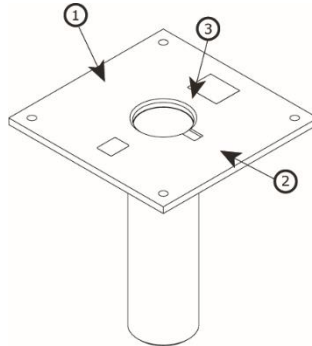
APPLIKATION:

Davitbasen är utformad för att användas som en monteringspunkt för davitsystemet.

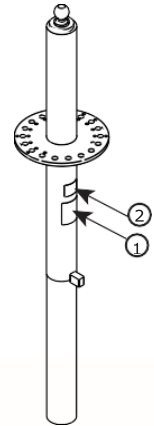
För mer information om produktinstallationen, se bruksanvisningen.

Standarder: CEN/TS 16415:2013, EN795:2012 Typ A, OSHA 1910.140, OSHA 1926.502

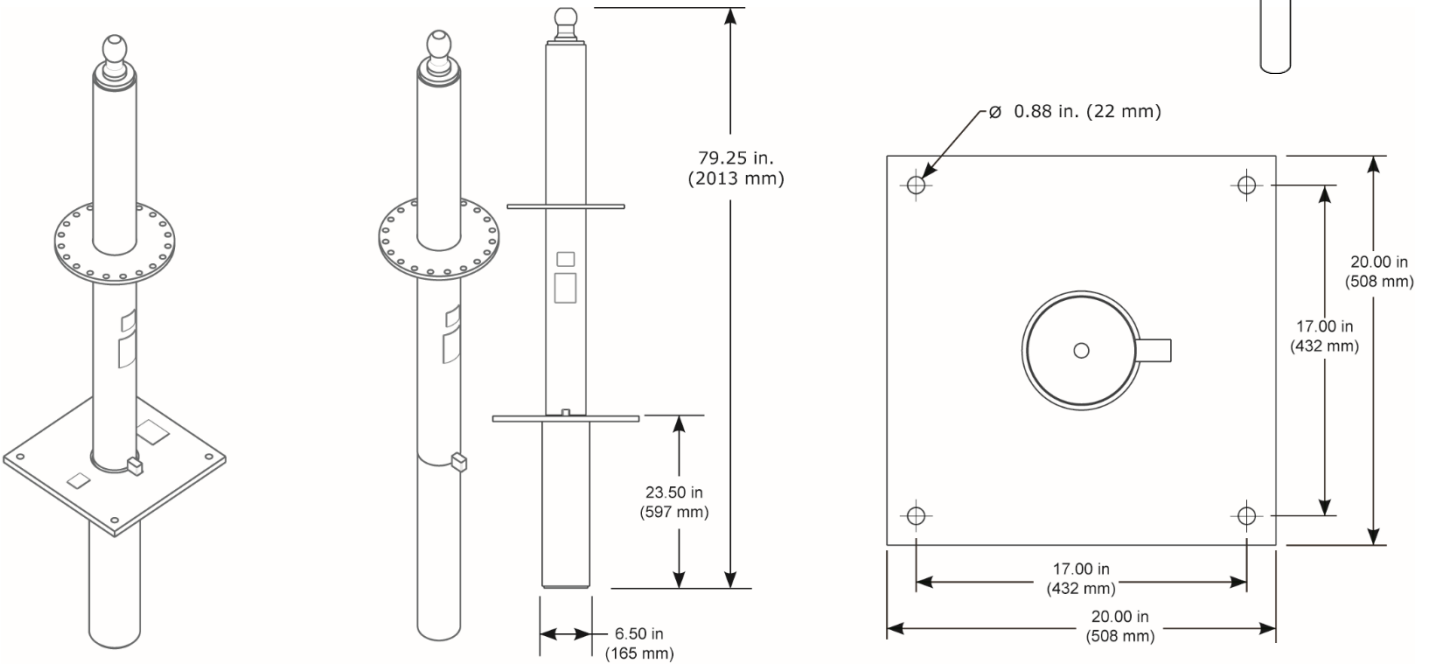
	Vikt
8530920	140 lb. (64 kg)



	Vikt
8530921	237 lb. (107 kg)



	Vikt
8530889	377 lb. (171 kg)

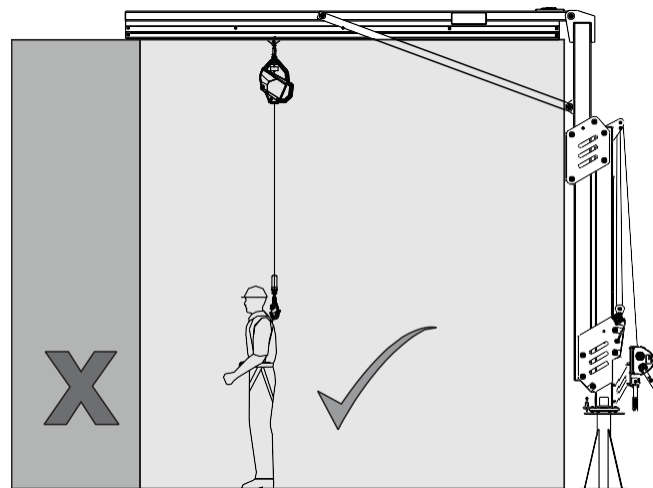
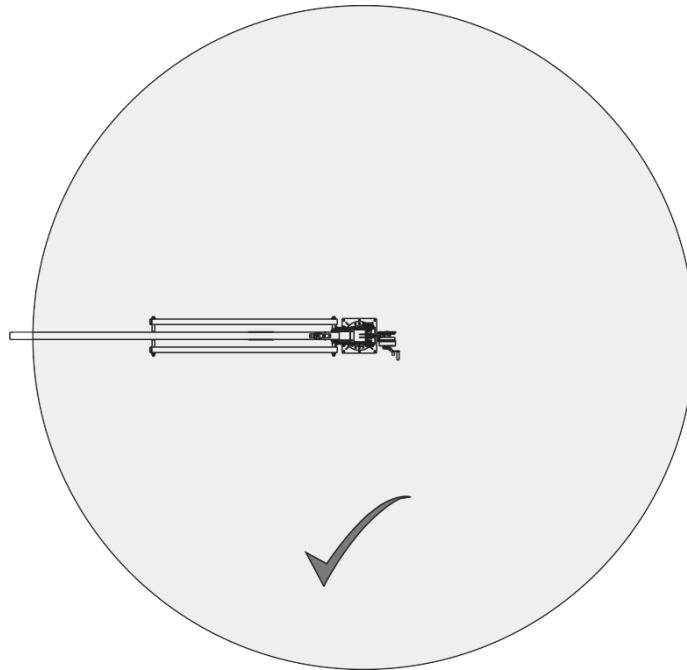


Komponentlista				
	Artikelnummer	Beskrivning	Material	Kvantitet
1	9515114	Användaretikett	Polyester	1
2	9514429	ID Etikett	Polyester	1
3	8550165	Baslock	Aluminium, Gummi	1

Monteringskrav	
Monteringsstrukturens minsta momentbelastning	Monteringsstrukturens minsta vertikala belastning
501,633 in-lb. (56,677 N-m)	3,320 lb. (1,506 kg) + Basvikt + Vikt av M200 Svängkran

APPLIKATION:

Se diagrammet nedan för produktens arbetsområde.



Gaffelficka Kit

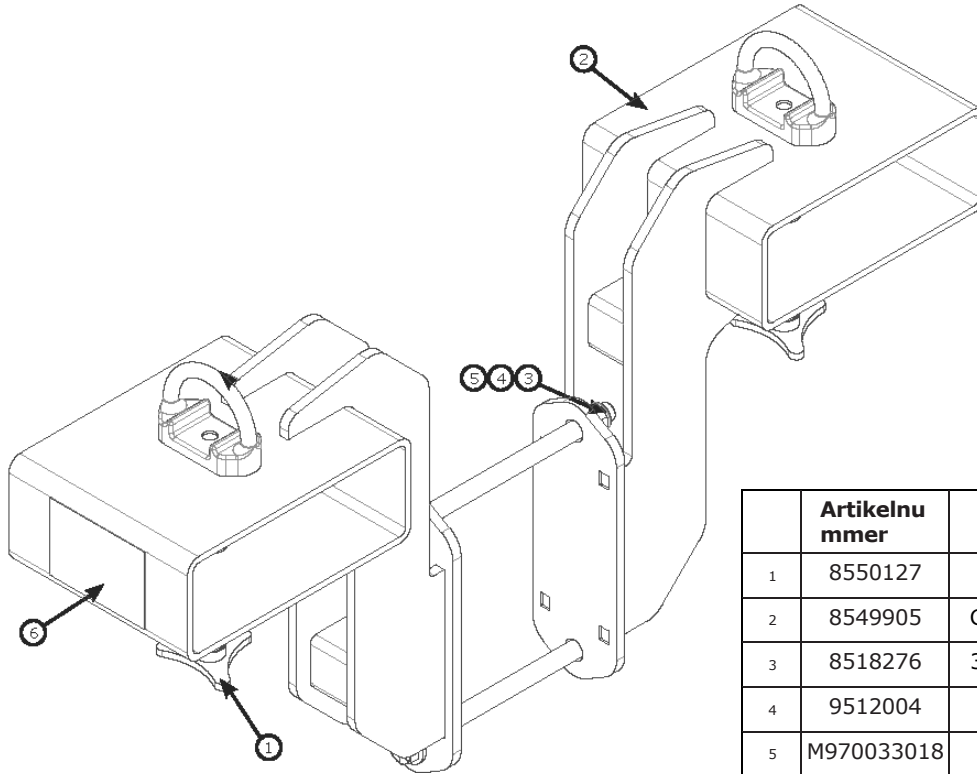
TEKNISKT DATABLAD: 8530912



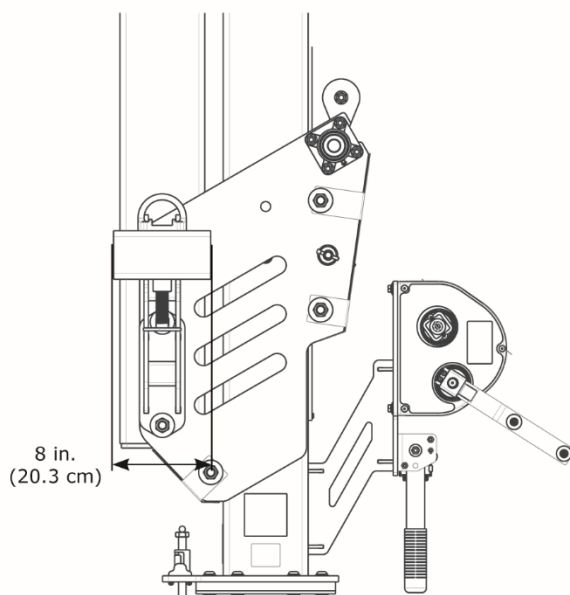
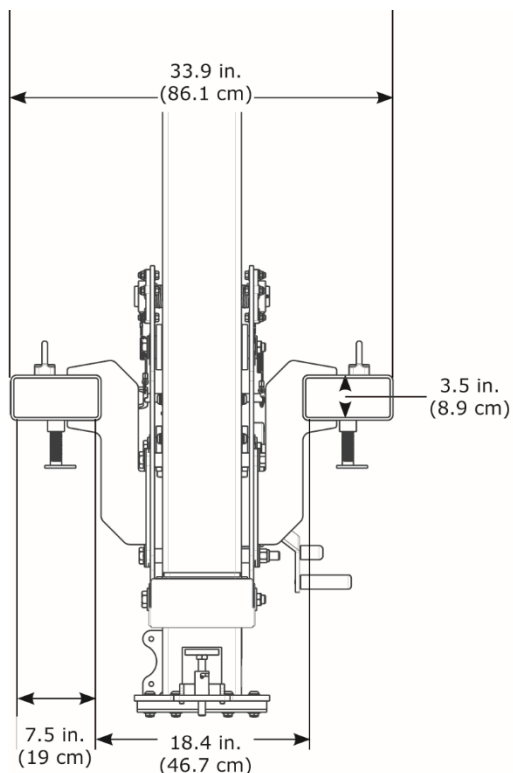
APPLIKATION:

Denna gaffelficka kit-modell är utformad för att transportera vinschdrivna davitmodeller **8530891–8530898**.

För mer information om komponentinstallationen, se bruksanvisningen.



	Artikelnummer	Komponent	Kvantitet
1	8550127	Tri-Skruv	2
2	8549905	Gaffelficka Svetsning	2
3	8518276	3/4" Sexkantsmutter	2
4	9512004	3/4" x 12" Bult	2
5	M970033018	3/4" Bricka	4
6	9515122	Användaretikett	1
	9500146	Kedjelänk	2
	8517096	Kedja	10 ft.



Gaffelficka Kit

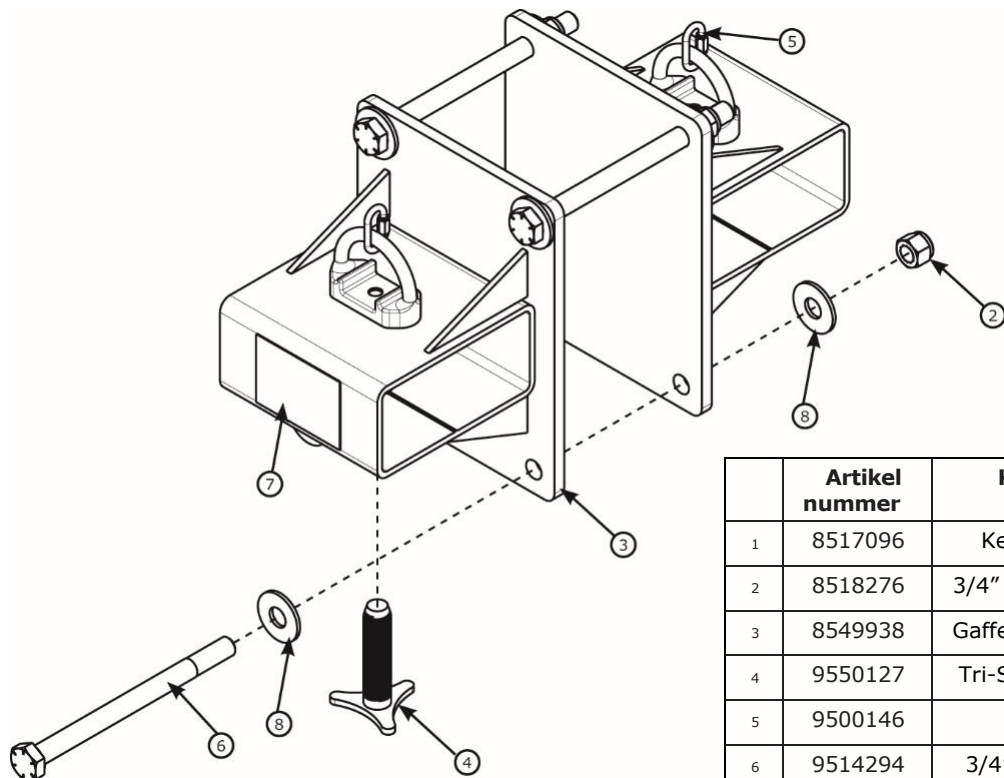
TEKNISKT DATABLAD: 8530925



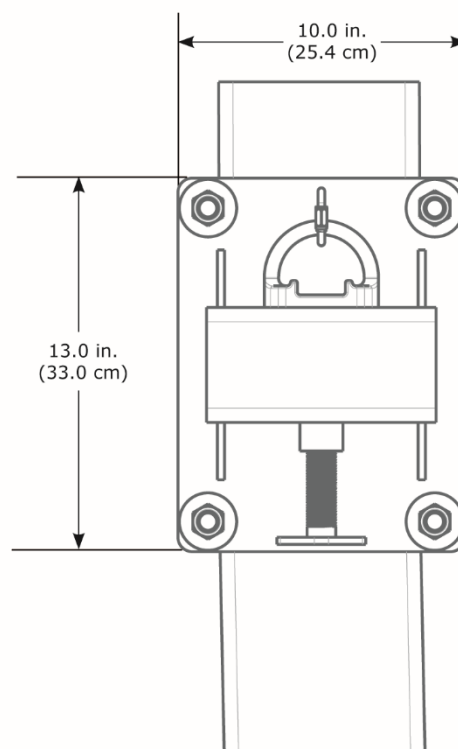
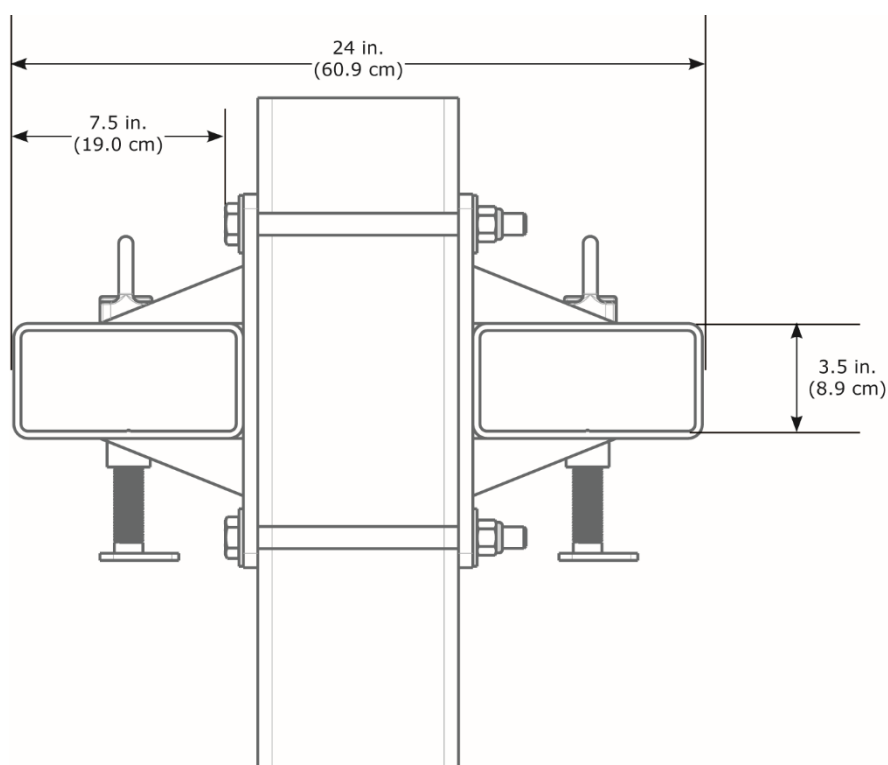
APPLIKATION:

Denna gaffelficka kit-modell är utformad för att transportera daviten med justeringskanalmodeller **8530899–8530904**.

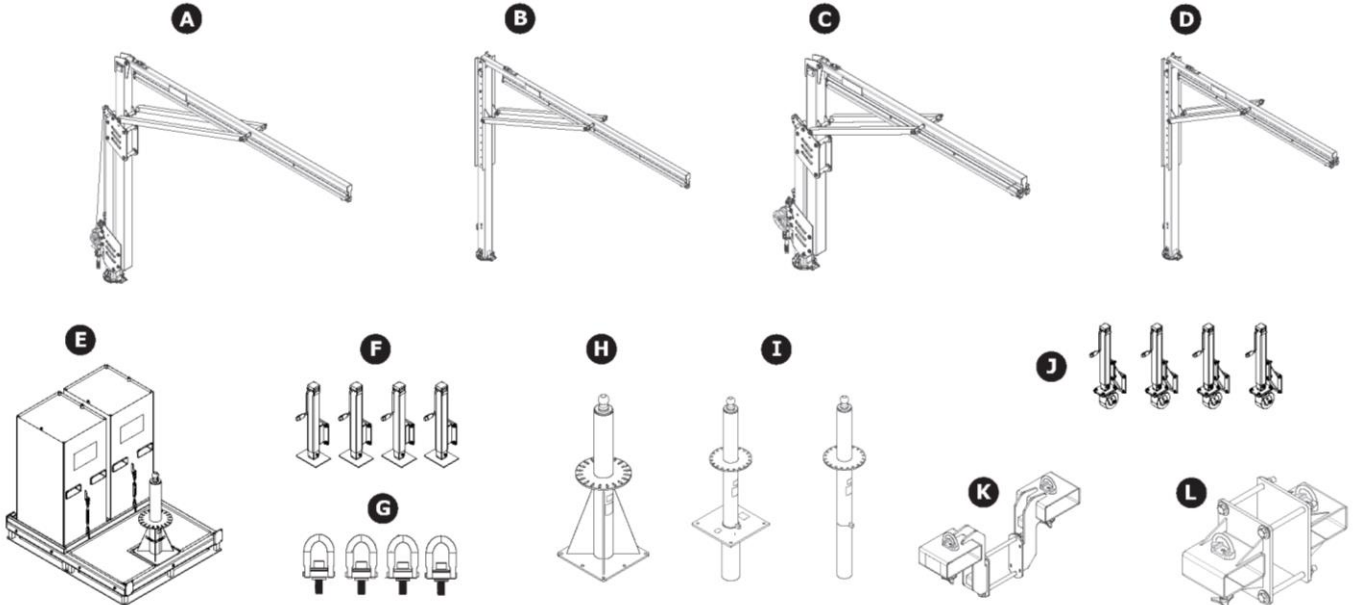
För mer information om komponentinstallationen, se bruksanvisningen..



	Artikel nummer	Komponent	Kvantitet
1	8517096	Kedja (visas ej)	10 ft.
2	8518276	3/4" Sexkantsmutter	4
3	8549938	Gaffelficka Svetsning	2
4	9550127	Tri-Skruv Svetsning	2
5	9500146	Snabblänk	2
6	9514294	3/4" Sexkantskruv	4
7	9515573	Varningsetikett	1
8	M970033018	3/4" Bricka	8



Çağrı	Teknik Bilgi Föyü	Açıklama	Sayfa
A	8530891	12.3 ft.–15 ft. (3.8 m–4.6 m) Ayarlanabilir Bom Kolu	542
	8530892	14.8 ft.–20 ft. (4.5 m–6.1 m) Ayarlanabilir Bom Kolu	542
	8530893	17.3 ft.–25 ft. (5.3 m–7.6 m) Ayarlanabilir Bom Kolu	542
	8530894	19.8 ft.–30 ft. (6.1 m–9.1 m) Ayarlanabilir Bom Kolu	542
B	8530899	15 ft.–20 ft. (4.6 m–6.1 m) Yarı Sabit Bom Kolu	544
	8530900	20 ft.–25 ft. (6.1 m–7.6 m) Yarı Sabit Bom Kolu	544
	8530901	25 ft.–30 ft. (7.6 m–9.1 m) Yarı Sabit Bom Kolu	544
C	8530895	12.3 ft.–15 ft. (3.8 m–4.6 m) Ayarlanabilir Bom Kolu	546
	8530896	14.8 ft.–20 ft. (4.5 m–6.1 m) Ayarlanabilir Bom Kolu	546
	8530897	17.3 ft.–25 ft. (5.3 m–7.6 m) Ayarlanabilir Bom Kolu	546
	8530898	19.8 ft.–30 ft. (6.1 m–9.1 m) Ayarlanabilir Bom Kolu	546
D	8530902	15 ft.–20 ft. (4.6 m–6.1 m) Yarı Sabit Bom Kolu	548
	8530903	20 ft.–25 ft. (6.1 m–7.6 m) Yarı Sabit Bom Kolu	548
	8530904	25 ft.–30 ft. (7.6 m–9.1 m) Yarı Sabit Bom Kolu	548
E	8530886	Doldurulmamış Karşı Ağırlık Tabanı	550
	8530887	Doldurulmuş Karşı Ağırlık Tabanı	550
F	8530907	Karşı Ağırlık Taban Krikoları	552
G	8530777	Karşı Ağırlık Taban Kaldırma Halkaları	552
H	8530888	Zemin Montaj Tabanı	554
I	8530889, 8530920, 8530921	Gömme Montaj Tabanı	555
J	8530908	Karşı Ağırlık Taban Tekerlekleri	552
K	8530912	Fork Pocket Kiti	557
L	8530925	Fork Pocket Kiti	558



Modüler Ayarlanabilir Bom Kolu

TEKNİK BİLGİ FÖYÜ: 8530891–8530894

3M

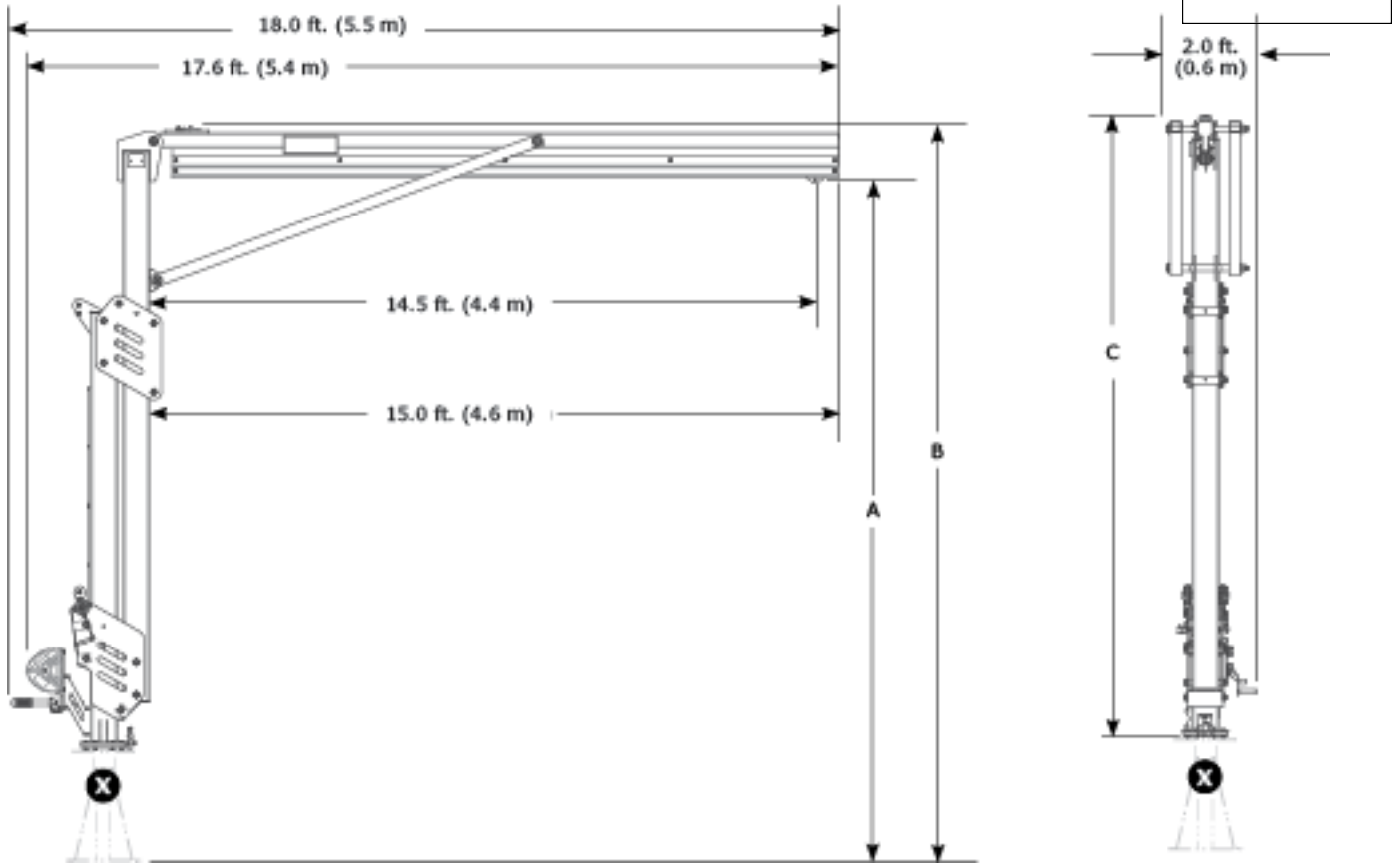
DBI
SALA
Fall Protection

UYGULAMA:

Davit, Düşme Koruma sistemi için bağlantı noktaları sağlamak üzere tasarlanmıştır.

Ürün kurulumu hakkında daha fazla bilgi için kullanıcı talimatlarına başvurun.

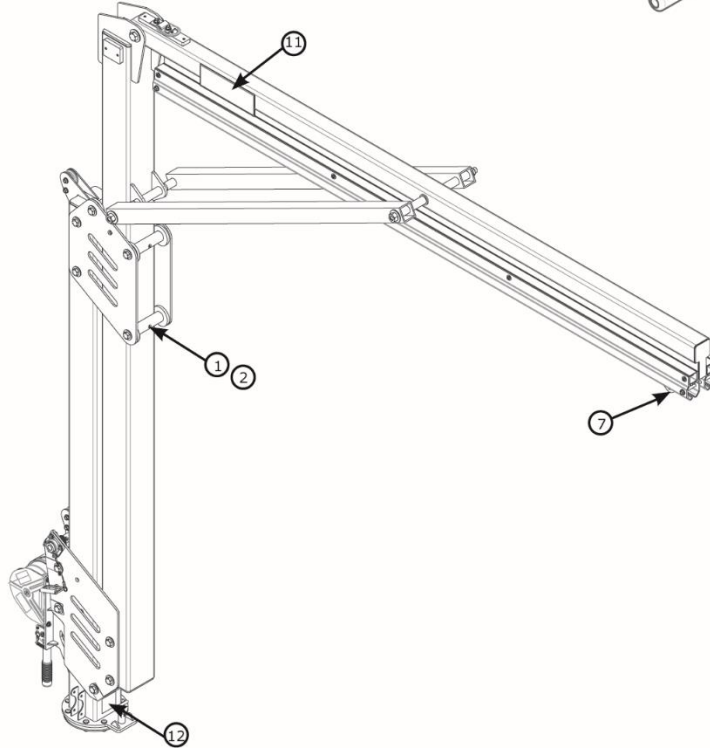
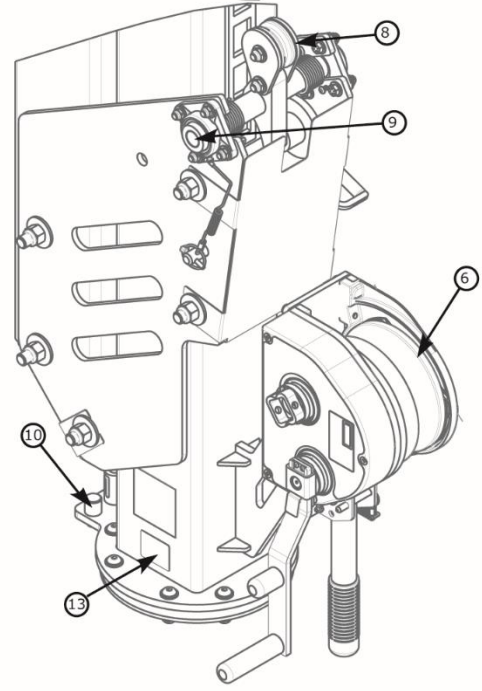
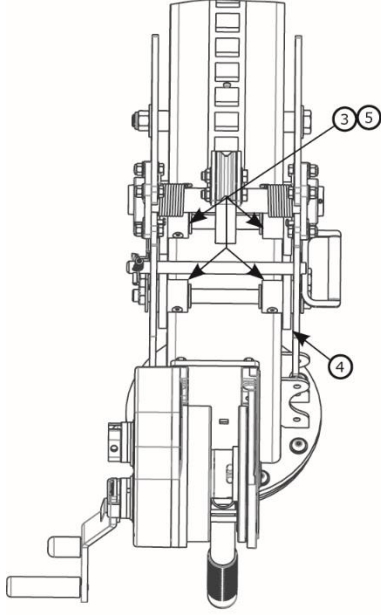
Standartlar: EN795:2012 Tip E, OSHA 1910.140, OSHA 1926.502



	A	B	C	lb. (kg)
8530891	12.3 ft. – 15.0 ft. (3.8 m – 4.6 m)	13.4 ft. – 16.1 ft. (4.1 m – 4.9 m)	9.8 ft. – 14.8 ft. (3.0 m – 4.5 ft.)	945 lb. (429 kg)
8530892	14.8 ft. – 20.0 ft. (4.5 m – 6.1 m)	15.9 ft. – 21.1 ft. (4.8 m – 6.4 m)	13.5 ft. – 18.7 ft. (4.1 m – 5.7 m)	1,057 lb. (479 kg)
8530893	17.3 ft. – 25.0 ft. (5.3 m – 7.6 m)	18.4 ft. – 26.1 ft. (5.6 m – 8.0 m)	16.0 – 23.7 ft. (4.9 m – 7.2 m)	1,169 lb. (530 kg)
8530894	19.8 ft. – 30.0 ft. (6.0 m – 9.1 m)	20.9 ft. – 31.1 ft. (6.4 m – 9.5 m)	18.5 ft. – 28.7 ft. (5.6 m – 8.7 m)	1,281 lb. (581 kg)

Modüler Ayarlanabilir Bom Kolu Bileşenleri

TEKNİK BİLGİ FÖYÜ: 8530891-8530894

3M**DBI**
SALA
Fall Protection

Bileşen Listesi				
	Parça Numarası	Açıklama	Malzeme	Miktar
1	8550046	Geniş Makaralı	Naylon	3
2	8550047	Geniş Makaralı Ara Parça	304 Paslanmaz Çelik	3
3	8550327	Dar Makaralı	Naylon	2
4	9514703	Yan Makaralı	Naylon	8
5	8550213	Dar Makaralı Ara Parça	304 Paslanmaz Çelik	2
6	8549930	Vinç	Çelik	1
7	8521711	Taşıyıcı	Çelik, Naylon	1

Bileşen Listesi				
	Parça Numarası	Açıklama	Malzeme	Miktar
8	8550223	Kilitleme Mekanizması (sadece yetkili onarım)	Çelik, Naylon	1
9	9515138	Rulmanlar	Çelik	2
10	8550398	Dönüş Durdurucu	Alüminyum	2
11	9515111	3M Etiketi	Polyester	2
12	9515101	Dönüş Etiketi	Polyester	1
13	9514429	Kimlik Etiketi	Polyester	1
14	9515112	Kullanıcı Etiketi	Polyester	1

Modüler Yarı Sabit Bom Kolu

TEKNİK BİLGİ FÖYÜ: 8530899-8530901

3M


DBI
SALA
Fall Protection

UYGULAMA:

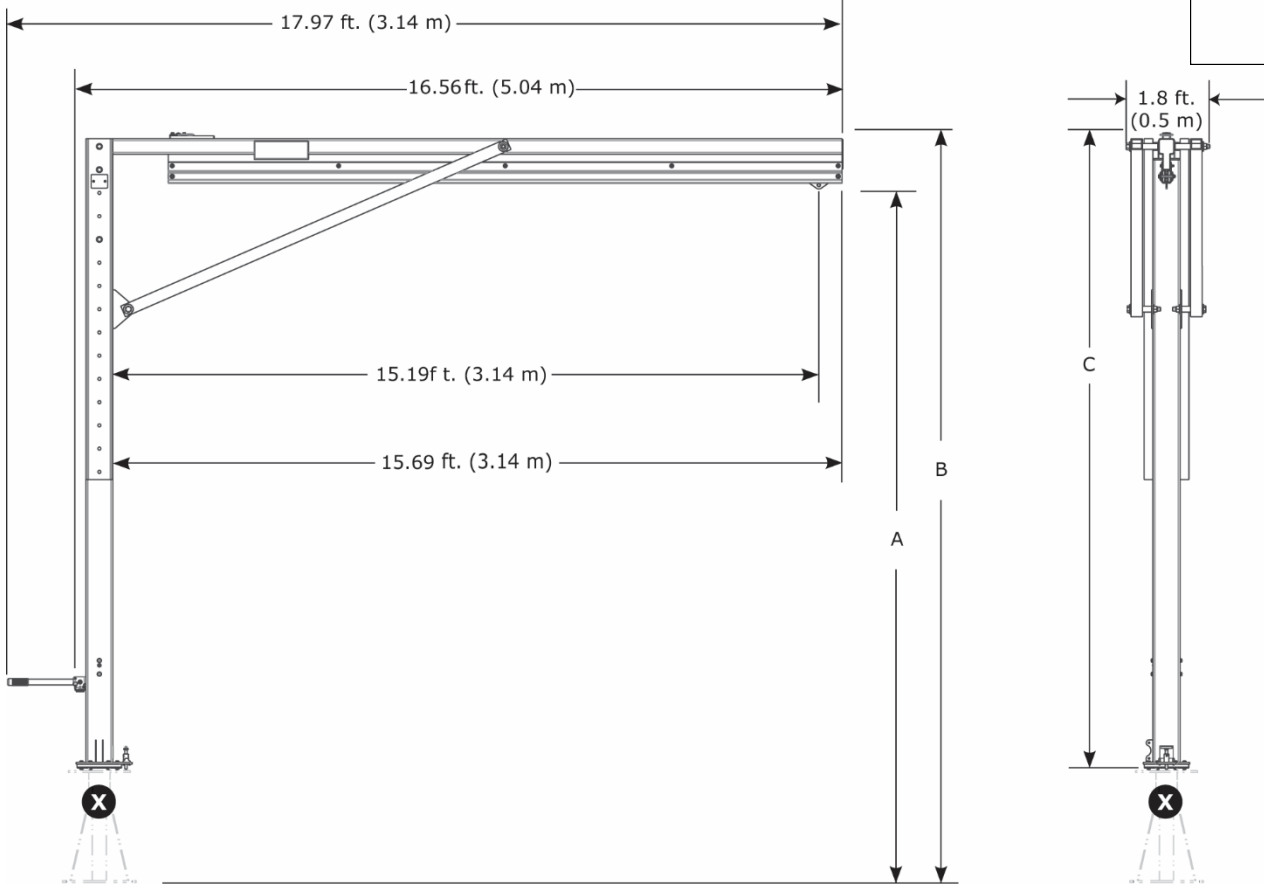
Davit, Düşme Koruma sistemi için bağlantı noktaları sağlamak üzere tasarlanmıştır.

Ürün kurulumu hakkında daha fazla bilgi için kullanıcı talimatlarına başvurun.

Standartlar: EN795:2012 Tip E, OSHA 1910.140, OSHA 1926.502

 ≤ 1350 lb.
(6 kN)

1x  ≤ 310 lb.
(140 kg)



	A	B	C	lb. (kg)
8530899	15.0 ft. – 20.0 ft. (4.6 m – 6.1 m)	16.1 ft. – 21.1 ft. (4.9 m – 6.4 m)	13.7 ft. – 18.7 ft. (4.2 m – 5.7 m)	818 lb. (371 kg)
8530900	20.0 ft. – 25.0 ft. (6.1 m – 7.6 m)	21.1 ft. – 26.1 ft. (6.4 m – 7.9 m)	18.7 ft. – 23.7 ft. (5.7 m – 7.2 m)	930 lb. (422 kg)
8530901	25.0 ft. – 30.0 ft. (7.6 m – 9.1 m)	26.1 ft. – 31.1 ft. (7.9 m – 9.6 m)	23.7 ft. – 28.7 ft. (7.2 m – 8.7 m)	1,041 lb. (472 kg)
	+6" (152 mm) ayar artışları			

Modüler Ayarlanabilir Bom Kolu

TEKNİK BİLGİ FÖYÜ: 8530895-8530898

3M

DBI
SALA
Fall Protection

UYGULAMA:

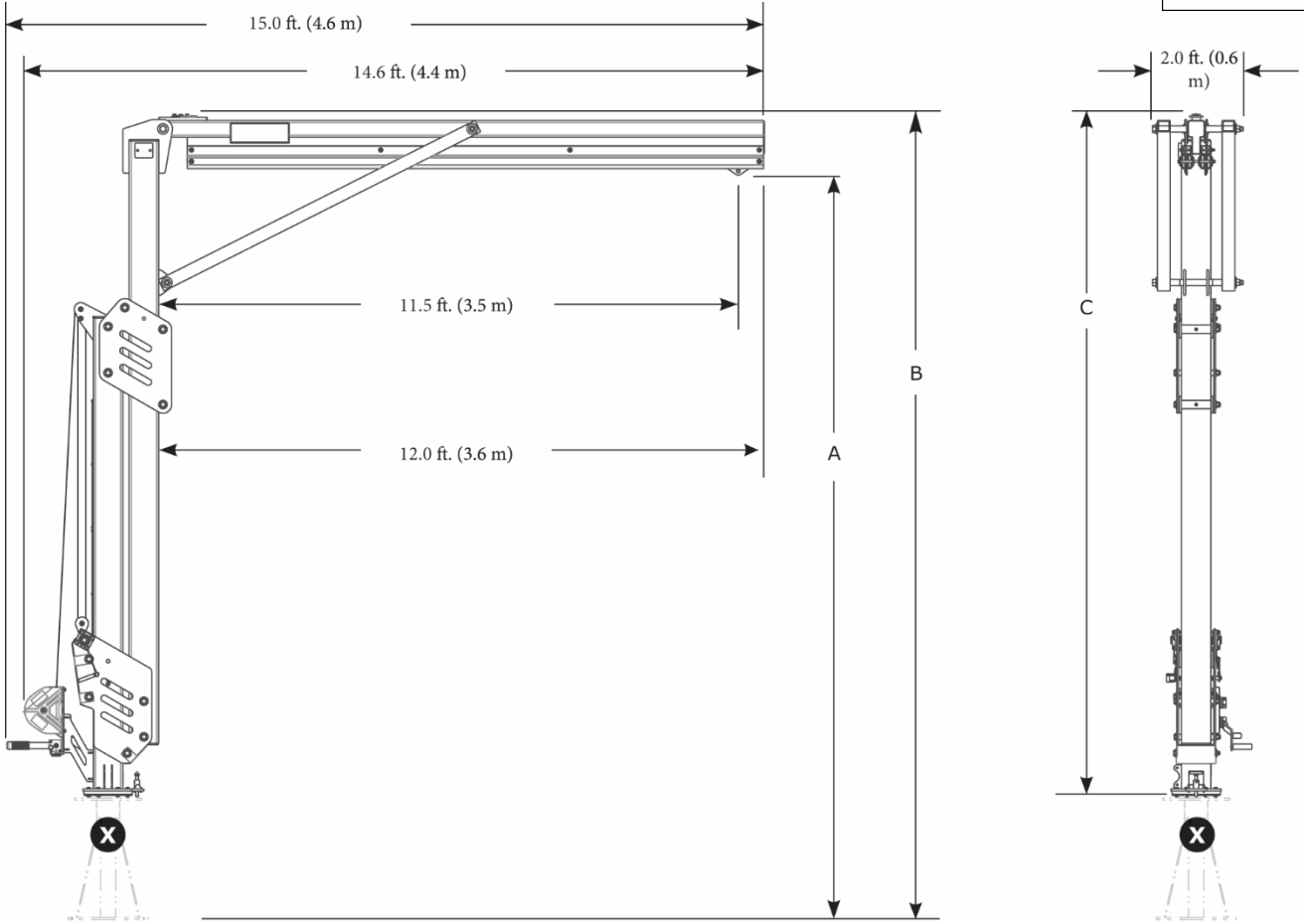
Davit, Düşme Koruma sistemi için bağlantı noktaları sağlamak üzere tasarlanmıştır.

Ürün kurulumu hakkında daha fazla bilgi için kullanıcı talimatlarına başvurun.

Standartlar: CEN/TS 16415:2013 Tip E, EN795:2012 Tip E, OSHA 1910.140, OSHA 1926.502

≤ 1350 lb.
(6 kN)

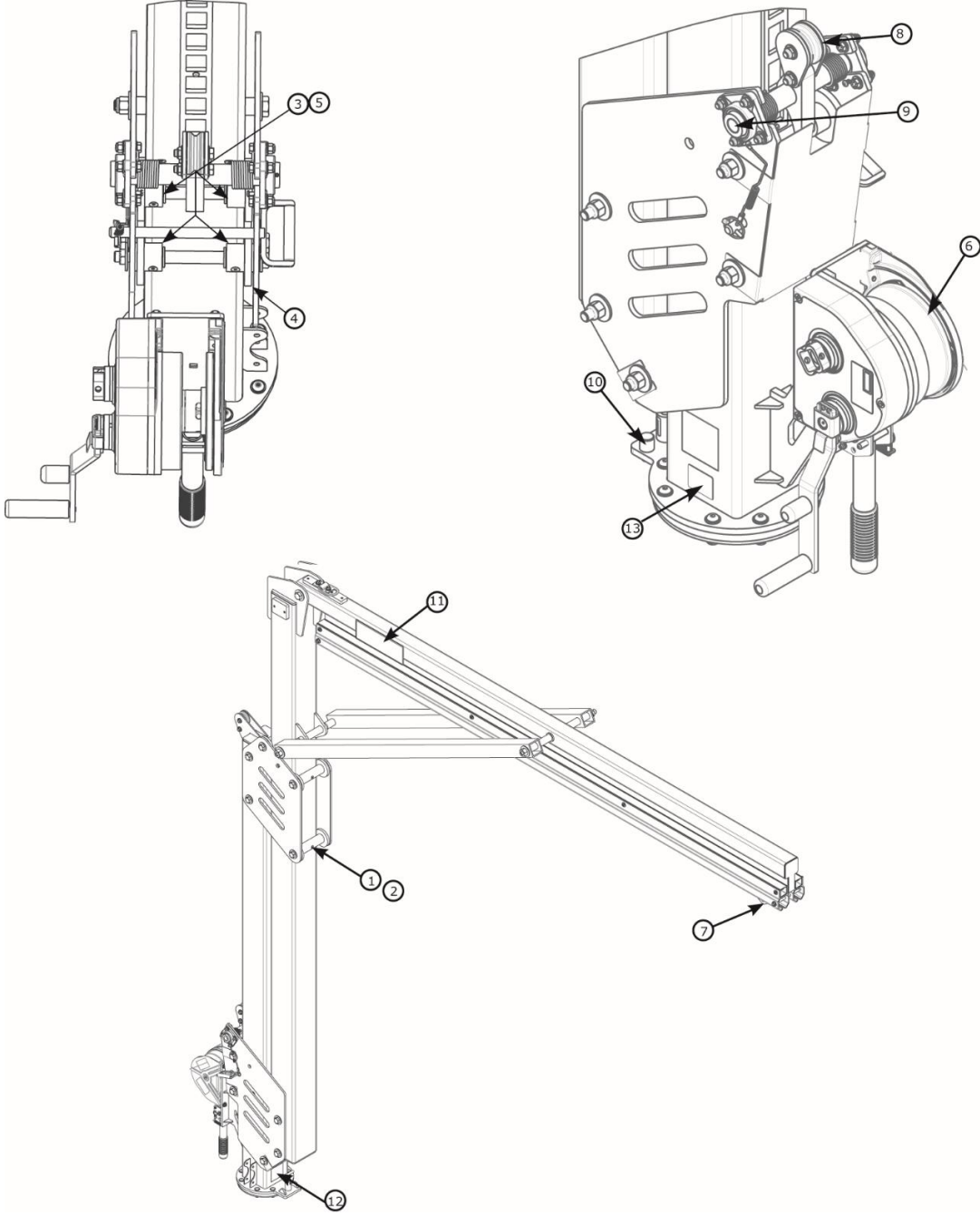
2x ≤ 310 lb.
(140 kg)



	A	B	C	lb. (kg)
8530895	12.3 ft. - 15.0 ft. (3.8 m - 4.6 m)	13.4 ft. - 16.1 ft. (4.1 m - 4.9 m)	11.0 ft. - 13.7 ft. (3.4 m - 4.2 ft.)	1,011 lb. (459 kg)
8530896	14.8 ft. - 20.0 ft. (4.5 m - 6.1 m)	15.9 ft. - 21.1 ft. (4.8 m - 6.4 m)	13.5 ft. - 18.7 ft. (4.1 m - 5.7 m)	1,123 lb. (509 kg)
8530897	17.3 ft. - 25.0 ft. (5.3 m - 7.6 m)	18.4 ft. - 26.1 ft. (5.6 m - 8.0 m)	16.0 - 23.7 ft. (4.9 m - 7.2 m)	1,235 lb. (560 kg)
8530898	19.8 ft. - 30.0 ft. (6.0 m - 9.1 m)	20.9 ft. - 31.1 ft. (6.4 m - 9.5 m)	18.5 ft. - 28.7 ft. (5.6 m - 8.7 m)	1,343 lb. (609 kg)

Modüler Ayarlanabilir Bom Kolu Bileşenleri

TEKNİK BİLGİ FÖYÜ: 8530895-8530898

3M**DBI**
SALA
Fall Protection

Bileşen Listesi				
	Parça Numarası	Açıklama	Malzeme	Miktar
1	8550046	Geniş Makaralı	Naylon	3
2	8550047	Geniş Makaralı Ara Parça	304 Paslanmaz Çelik	3
3	8550327	Dar Makaralı	Naylon	2
4	9514703	Yan Makaralı	Naylon	8
5	8550213	Dar Makaralı Ara Parça	304 Paslanmaz Çelik	2
6	8549930	Vinç	Çelik	1
7	8521711	Taşıyıcı	Çelik, Naylon	1

Bileşen Listesi				
	Parça Numarası	Açıklama	Malzeme	Miktar
8	8550223	Kitleme Mekanizması (sadece yetkili onarım)	Çelik, Naylon	1
9	9515138	Rulmanlar	Çelik	2
10	8550398	Dönüş Durdurucu	Alüminyum	2
11	9515111	3M Etiketi	Polyester	2
12	9515101	Dönüş Etiketi	Polyester	1
13	9514429	Kimlik Etiketi	Polyester	1
14	9515112	Kullanıcı Etiketi	Polyester	1

Modüler Yarı Sabit Bom Kolu

TEKNİK BİLGİ FÖYÜ: 8530902-8530904

3M


DBI
SALA
Fall Protection

UYGULAMA:

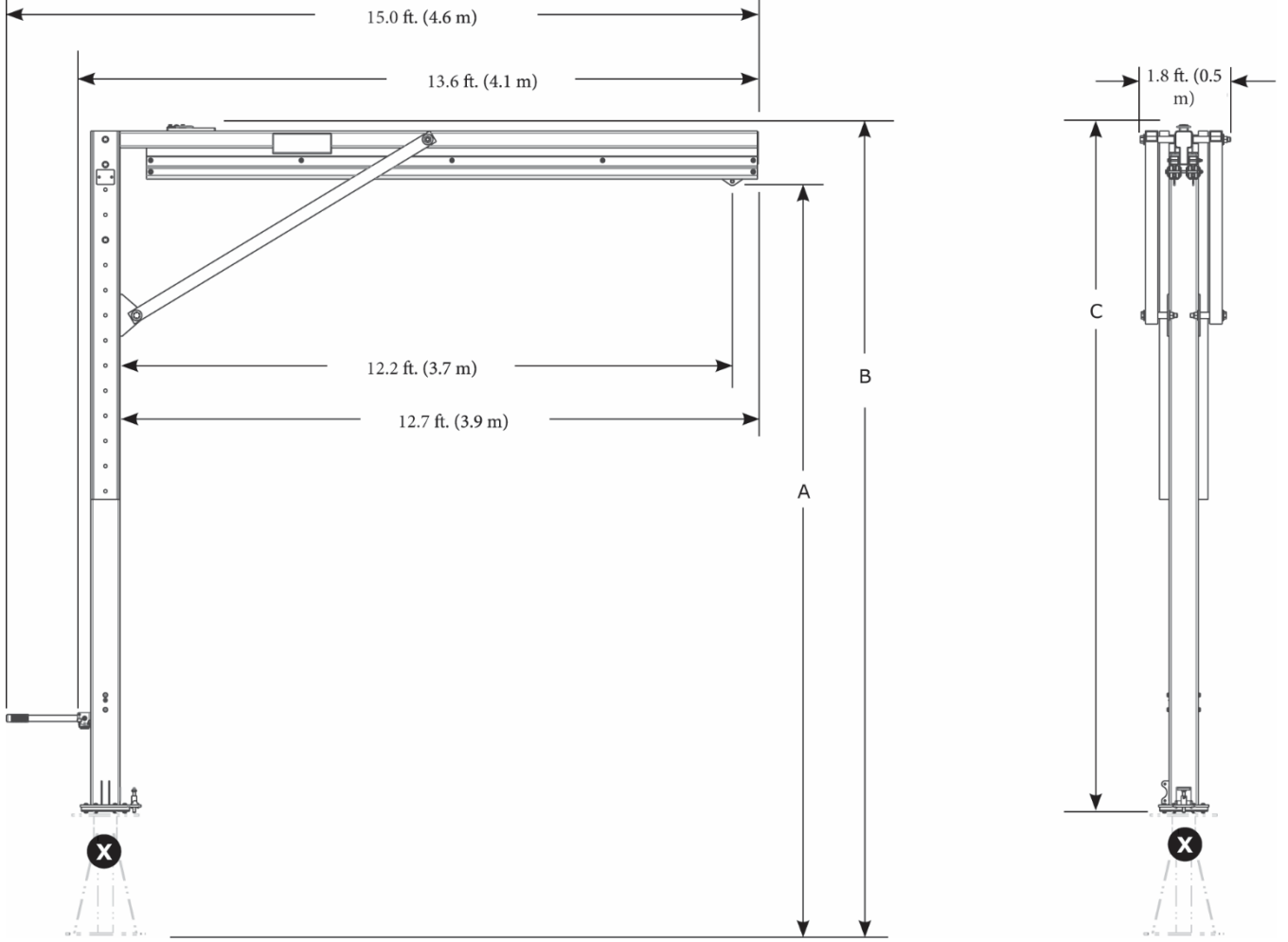
Davit, Düşme Koruma sistemi için bağlantı noktaları sağlamak üzere tasarlanmıştır.

Ürün kurulumu hakkında daha fazla bilgi için kullanıcı talimatlarına başvurun.

Standartlar: CEN/TS 16415:2013 Tip E, EN795:2012 Tip E, OSHA 1910.140, OSHA 1926.502

 ≤ 1350 lb.
(6 kN)

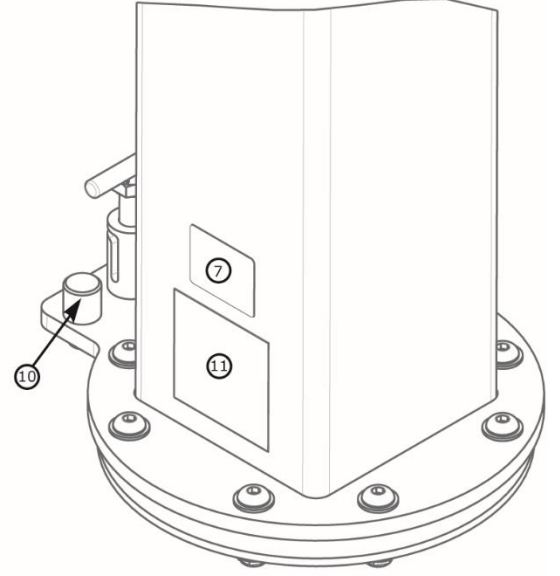
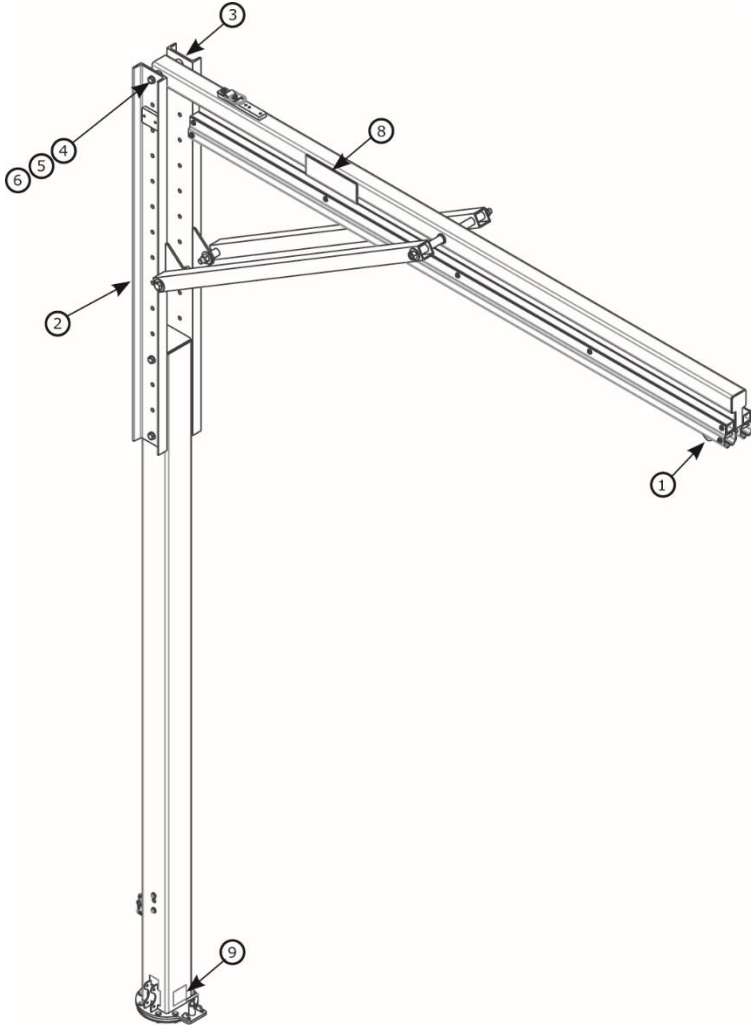
2x  ≤ 310 lb.
(140 kg)



	A	B	C	lb. (kg)
8530902	15.0 ft. - 20.0 ft. (4.6 m - 6.1 m)	16.1 ft. - 21.1 ft. (4.9 m - 6.4 m)	13.7 ft. - 18.7 ft. (4.2 m - 5.7 m)	850 lb. (386 kg)
8530903	20.0 ft. - 25.0 ft. (6.1 m - 7.6 m)	21.1 ft. - 26.1 ft. (6.4 m - 7.9 m)	18.7 ft. - 23.7 ft. (5.7 m - 7.2 m)	961 lb. (436 kg)
8530904	25.0 ft. - 30.0 ft. (7.6 m - 9.1 m)	26.1 ft. - 31.1 ft. (7.9 m - 9.6 m)	23.7 ft. - 28.7 ft. (7.2 m - 8.7 m)	1,073 lb. (487 kg)

Modüler Yarı Sabit Bom Kolu Bileşenleri

TEKNİK BİLGİ FÖYÜ: 8530902-8530904

3M**DBI
SALA®**
Fall Protection

Parça Numarası	Açıklama	Malzeme	Miktar	
1	8521711	Taşıyıcı	Paslanmaz Çelik, Çelik, Naylon	1
2	8549933	Kurtarma Montaj Kanalı	Çelik	1
3	8550248	Kanal	Çelik	1
4	8526654	3/4" x 9" Cıvata	Çelik	2
5	8522275	3/4" Pul	Çelik	4
6	8518276	3/4" Somun	Çelik	2
7	9514429	Kimlik Etiketi	Polyester	1

Parça Numarası	Açıklama	Malzeme	Miktar	
8	9515111	3M Etiketi	Polyester	2
9	9515101	Dönüş Etiketi	Polyester	1
10	8550398	Dönüş Durdurucu	Alüminyum	2
11	9515112	Kullanıcı Etiketi	Polyester	1

M200 Karşı Ağırlık Tabanı

TEKNİK BİLGİ FÖYÜ: 8530886, 8530887

3M

DBI
SALA
Fall Protection

UYGULAMA:

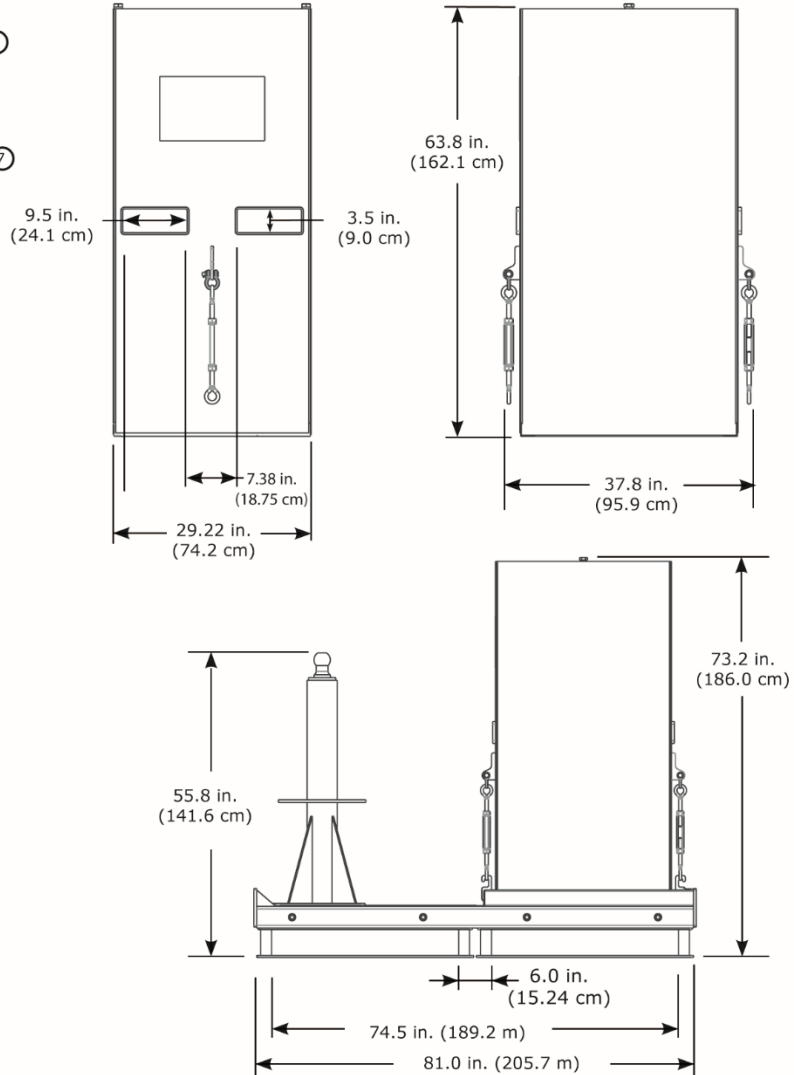
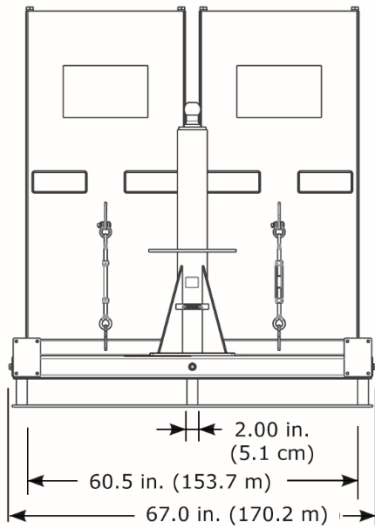
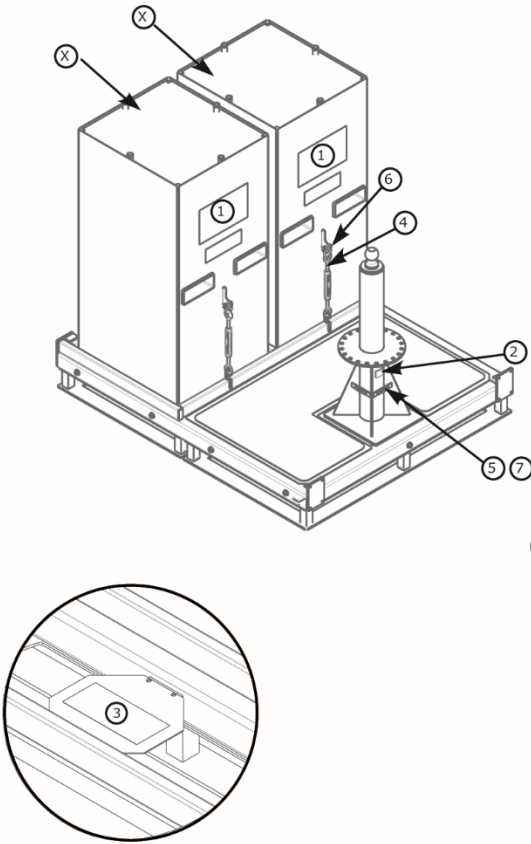
Davit tabanı, davit sistemi için bir montaj noktası olarak kullanılmak üzere tasarlanmıştır.

Ürün kurulumu hakkında daha fazla bilgi için kullanıcı talimatlarına başvurun.

Standartlar: CEN/TS 16415:2013 Tip E, EN795:2012 Tip E, OSHA 1910.140, OSHA 1926.502

	X 4,000 psi (30 MPa)	Dinlenme Yapısı Gereksinimleri	Ağırlık
8530886		14,645 lb. (6,643 kg)	2,407 lb. (1,092 kg)
8530887	✓	+ M200 Bom Kolu Ağırlığı	11,325 lb. (5,137 kg)

Bileşen Listesi				
	Parça Numarası	Açıklama	Malzeme	Miktar
1	9515107	Kullanıcı Etiketi	Polyester	1
2	9514429	Kimlik Etiketi	Polyester	1
3	9515106	Uyarı Etiketi	Polyester	1
4	8520575	Gergi	Çelik	2
5	9513627	#4 Vida	Çelik	4
6	9501794	Kilit	Çelik	2
7	9515058	Düzye Kabarcığı	Plastik	2
8	9515566	Uyarı Etiketi	Polyester	4



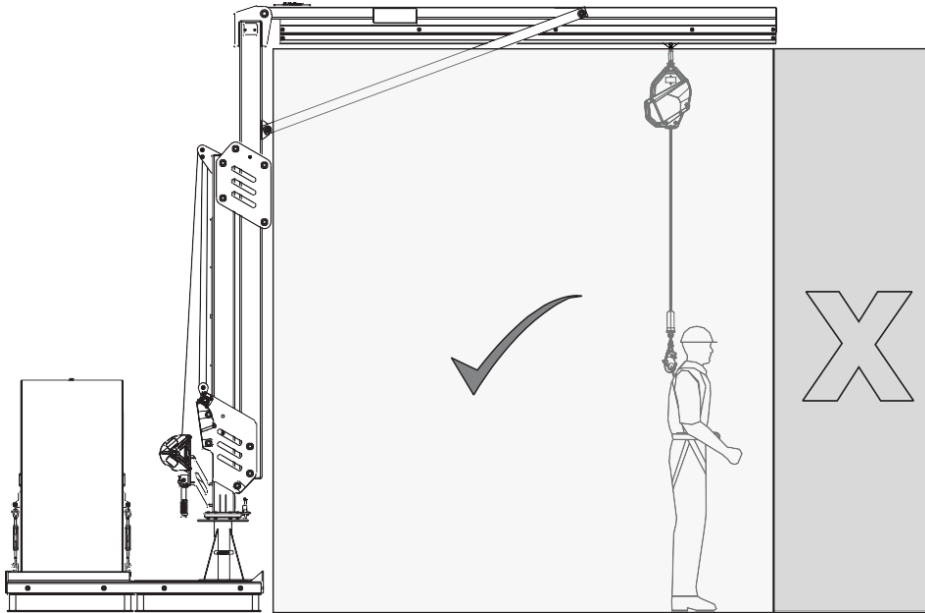
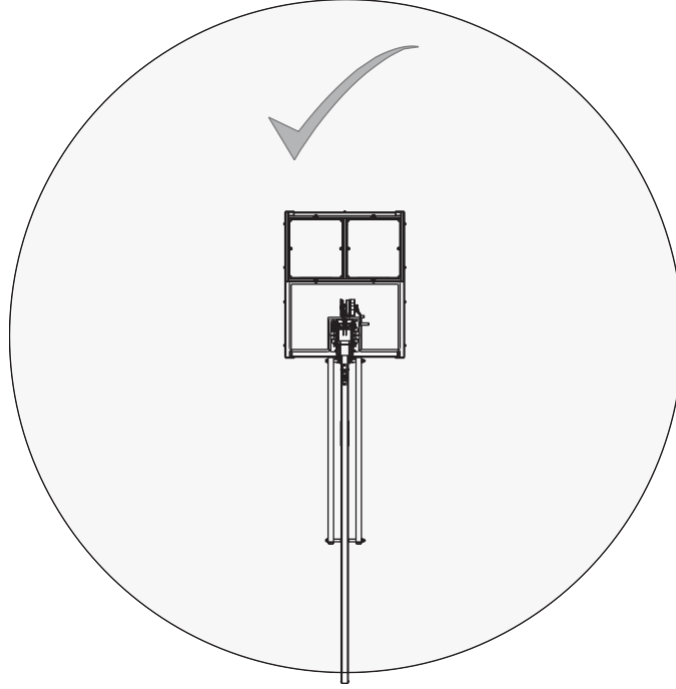
Çalışma Alanı için M200 Karşı Ağırlık Tabanı
TEKNİK BİLGİ FÖYÜ: 8530886, 8530887

3M

SALA
Fall Protection

UYGULAMA:

Ürünün çalışma alanı için aşağıdaki diyagrama başvurun.

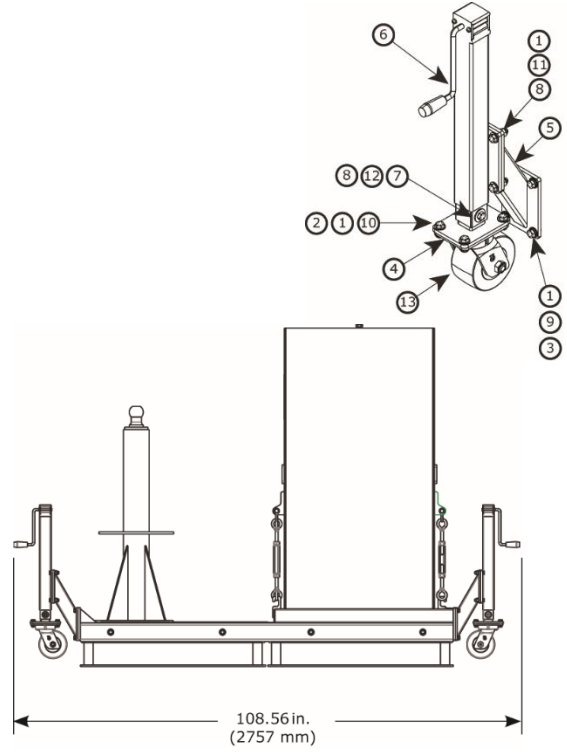


M200 Karşı Ağırlık Tabanı Aksesuarları

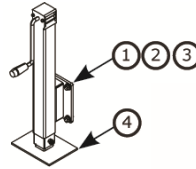
TEKNİK BİLGİ FÖYÜ: 8530907, 8530908, 8530777



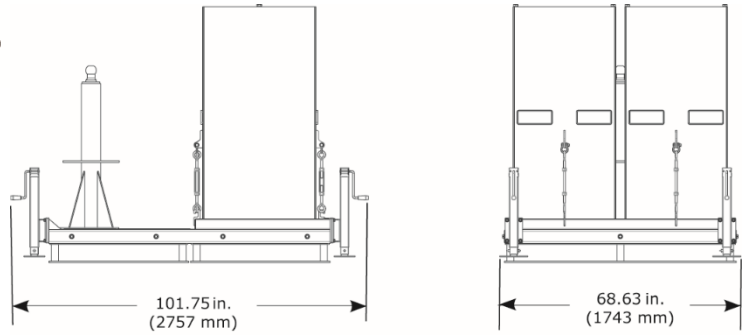
Bileşen Listesi				
	Parça Numarası	Açıklama	Malzeme	Miktar
1	8510037	1/2" Pul	Çelik	80
2	8512460	1/2" x 1 1/4" Cıvata	Çelik	16
3	8518432	1/2" x 1" Cıvata	Çelik	16
4	8550153	Tekerlek Kaynağı	Çelik	4
5	8550155	Açılı Kaynak	Çelik	4
6	8550156	Montajlı Kaynak	Çelik	4
7	9501243	1/2" Pul	Çelik	8
8	9501831	1/2" Altıgen Somun	Çelik	20
9	9504221	1/2" Pul	Çelik	16
10	9504813	1/2" Altıgen Somun	Çelik	16
11	9509276	1/2" x 1 3/4" Cıvata	Çelik	16
12	9510153	1/2" x 3 1/4" Cıvata	Çelik	4
13	9515081	Döner Tekerlek	Çelik, Üretan	4



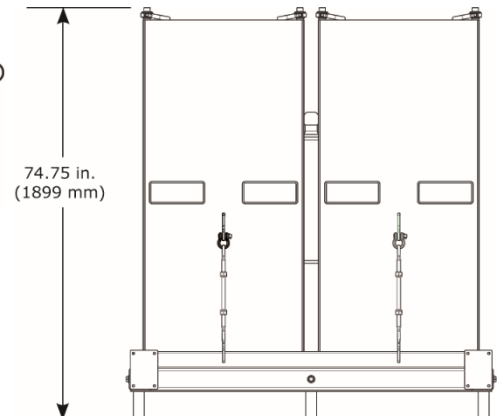
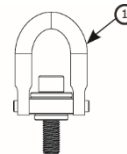
	8530907	8530908	8530777
Ağırlık	108 lb. (49 kg)	152 lb. (69 kg)	12 lb. (5.4 kg)



	Parça Numarası	Açıklama	Malzeme	Miktar
1	9504221	1/2" Kilitli Pul	Çelik	16
2	8510037	1/2" Pul	Çelik	16
3	8518432	1/2" x 1" Cıvata	Çelik	16
4	8550177	Tekerlek Kaynağı	Çelik	4



Bileşen Listesi				
	Parça Numarası	Açıklama	Malzeme	Miktar
1	9512574	Kaldırma Halkası	Çelik	4





M200 Karşı Ağırlık Tabanı Ağırlık Merkezi

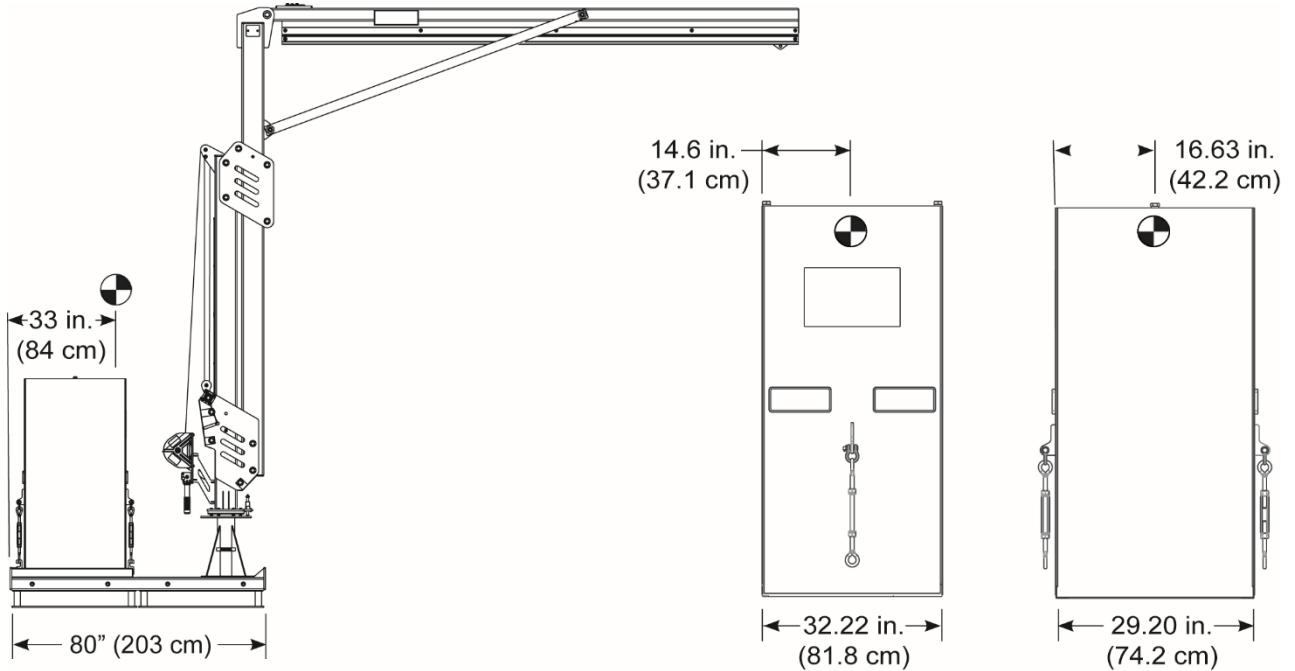
TEKNİK BİLGİ FÖYÜ: 8530886, 8530887

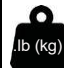



Fall Protection

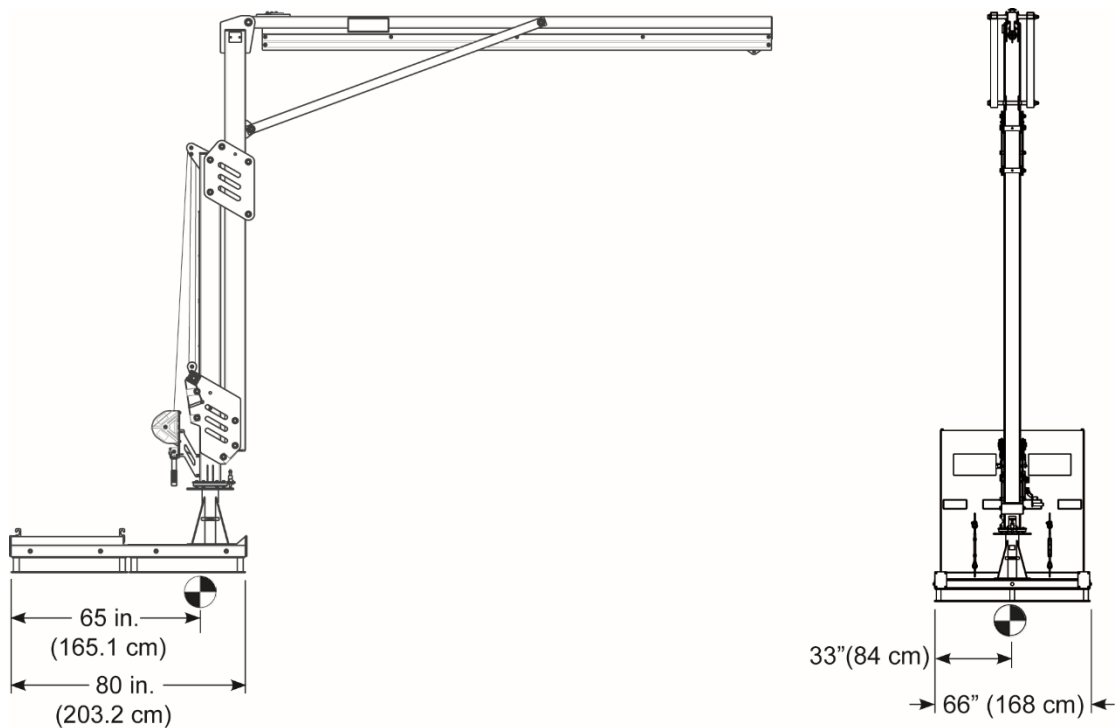
8530887	8530898
 .lb (kg)	12,668 lbs. (5,746 kg)

 .lb (kg)	5,000 lbs. (2,268 kg)
--	--------------------------



8530887	8530898
 .lb (kg)	2,668 lbs. (1,210 kg)

8530887	8530898
 .lb (kg)	12,668 lbs. (5,746 kg)



M200 Zemin Montaj Tabanı

TEKNİK BİLGİ FÖYÜ: 8530888

3M**DBI**
SALA
Fall Protection

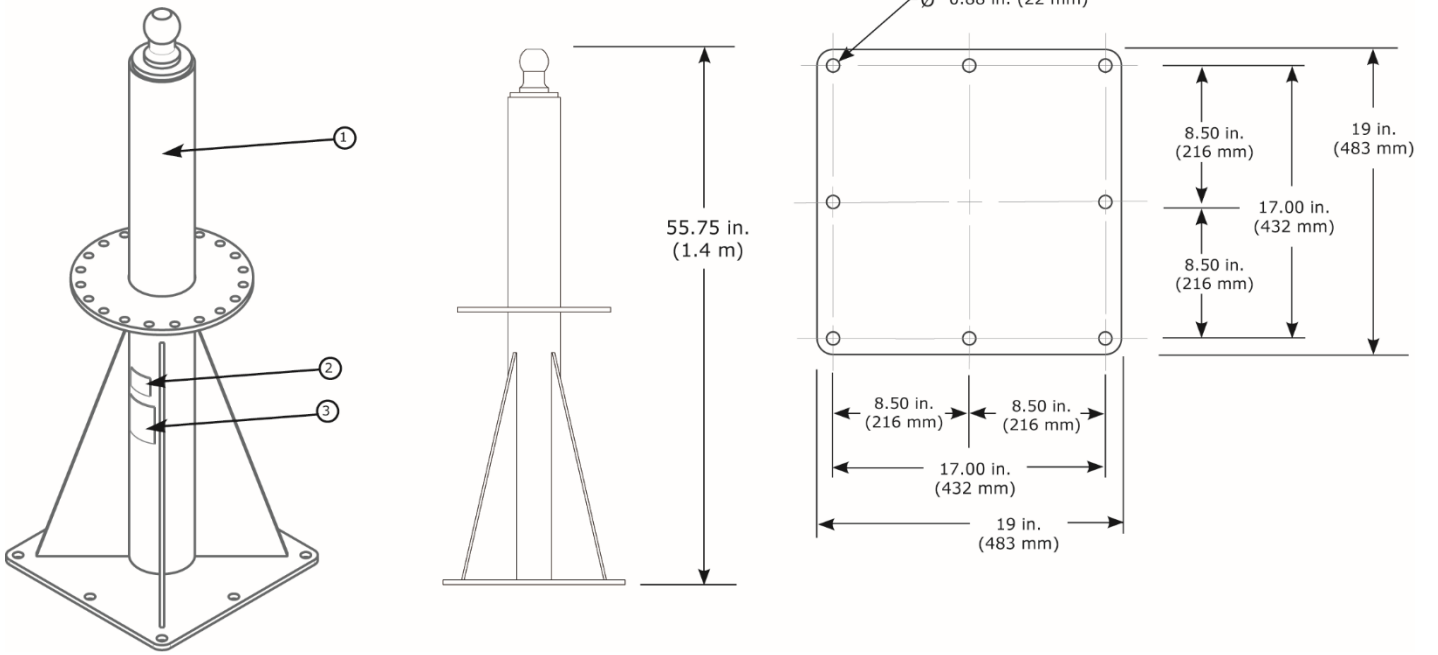
UYGULAMA:

Davit tabanı, davit sistemi için bir montaj noktası olarak kullanılmak üzere tasarlanmıştır.

Ürün kurulumu hakkında daha fazla bilgi için kullanıcı talimatlarına başvurun.

Standartlar: CEN/TS 16415:2013 Tip A, EN795:2012 Tip A, OSHA 1910.140, OSHA 1926.502

	Ağırlık
8530888	265 lb. (120 kg)



Bileşen Listesi				
	Parça Numarası	Açıklama	Malzeme	Miktar
1	8549921	Taban Kaynağı	Çelik	1
2	9514429	Kimlik Etiketi	Polyester	1
3	9515114	Kullanıcı Etiketi	Polyester	1

Montaj Gereksinimleri		
Minimum Bağlantı Elemanı Çekme Kuvveti	Montaj Yapısı Minimum Moment Yüğü	Montaj Yapısı Minimum Dikey Yük
9,386 lb. (4,257 kg)	501,633 in-lb. (56,677 N-m)	3,320 lb. (1,506 kg) + Taban ağırlığı + M200 Bom Kolu Ağırlığı

M200 Gömme Montaj Tabanı

TEKNİK BİLGİ FÖYÜ: 8530889, 8530920, 8530921

3M**DBI
SALA®**
Fall Protection

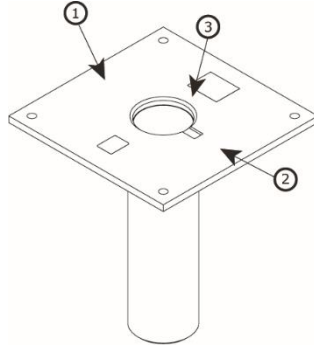
UYGULAMA:

Davit tabanı, davit sistemi için bir montaj noktası olarak kullanılmak üzere tasarlanmıştır.

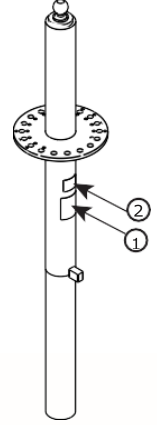
Ürün kurulumu hakkında daha fazla bilgi için kullanıcı talimatlarına başvurun.

Standartlar: CEN/TS 16415:2013, EN795:2012 Tip A, OSHA 1910.140, OSHA 1926.502

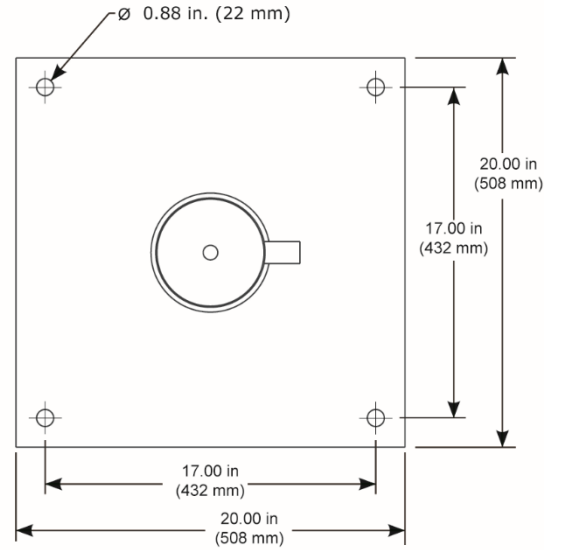
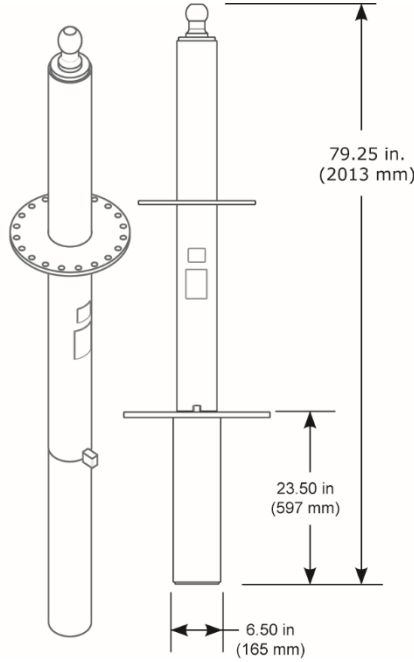
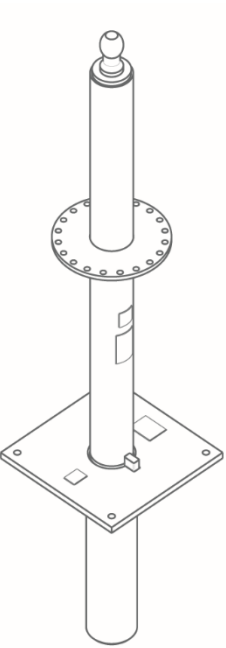
	Ağırlık
8530920	140 lb. (64 kg)



	Ağırlık
8530921	237 lb. (107 kg)



	Ağırlık
8530889	377 lb. (171 kg)



Bileşen Listesi				
	Parça Numarası	Açıklama	Malzeme	Miktar
1	9515114	Kullanıcı Etiketi	Polyester	1
2	9514429	Kimlik Etiketi	Polyester	1
3	8550165	Taban Kapağı	Alüminyum, Kauçuk	1

Montaj Gereksinimleri	
Montaj Yapısı Minimum Moment Yüğü	Montaj Yapısı Minimum Dikey Yüğü
501,633 in-lb. (56,677 N-m)	3,320 lb. (1,506 kg) + Taban ağırlığı + M200 Bom Kolu Ağırlığı

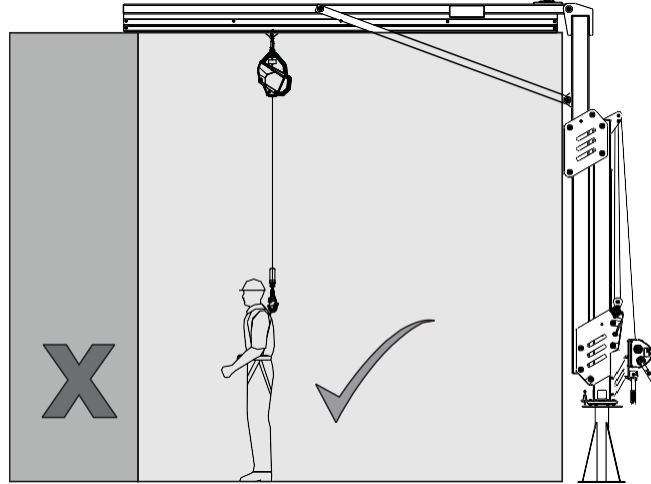
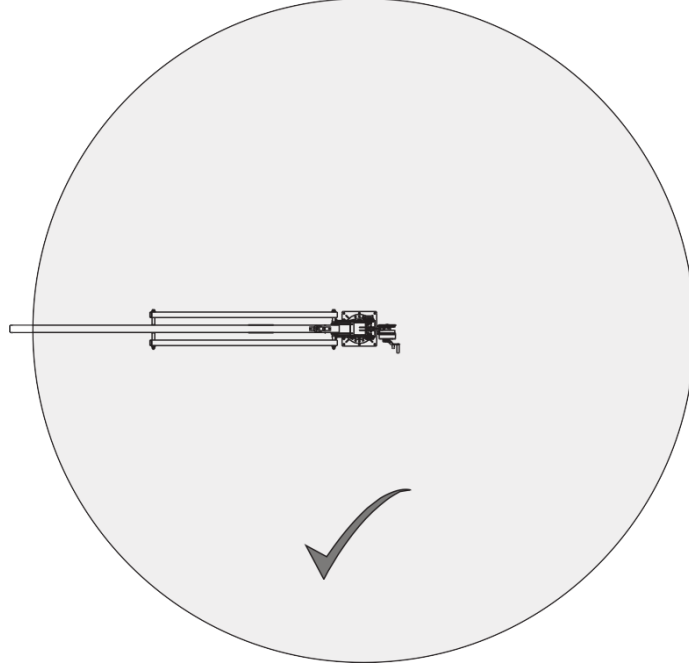
M200 Zemin Montaj Tabanlarının Çalışma Alanı
TEKNİK BİLGİ FÖYÜ: 8530888, 8530889

3M

DBI
SALA
Fall Protection

UYGULAMA:

Ürünün çalışma alanı için aşağıdaki diyagrama başvurun.



Zemin Cebi Kiti

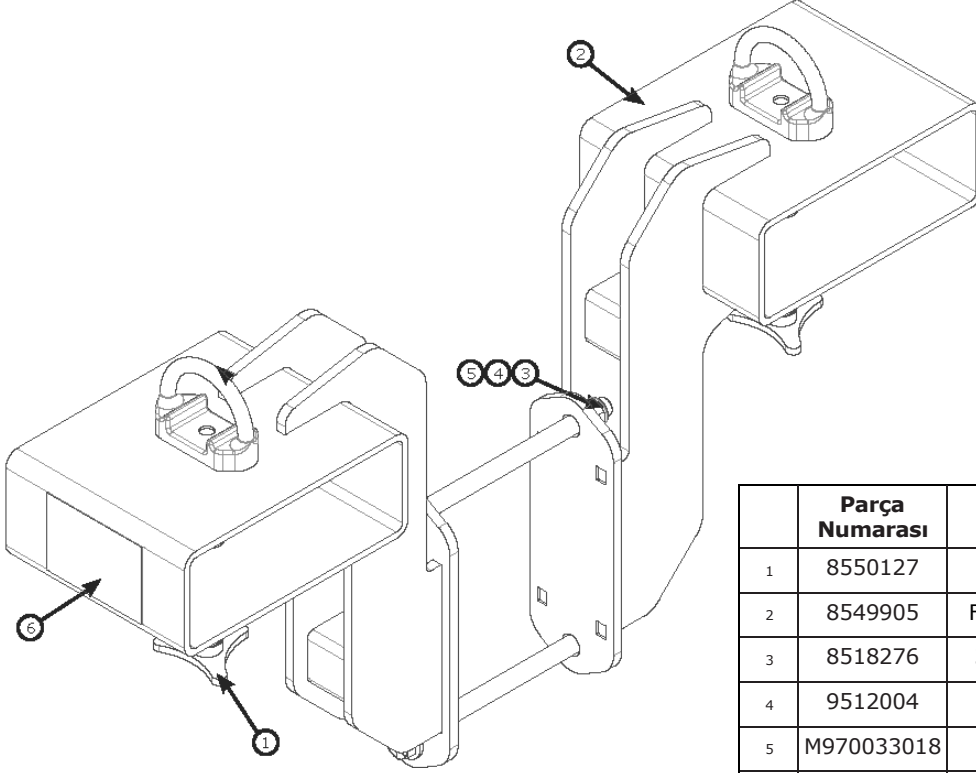
TEKNİK BİLGİ FÖYÜ: 8530912

3M**DBI**
SALA
Fall Protection

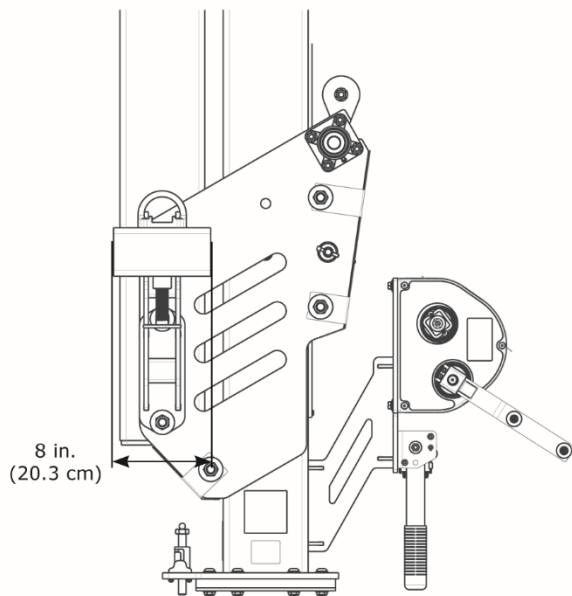
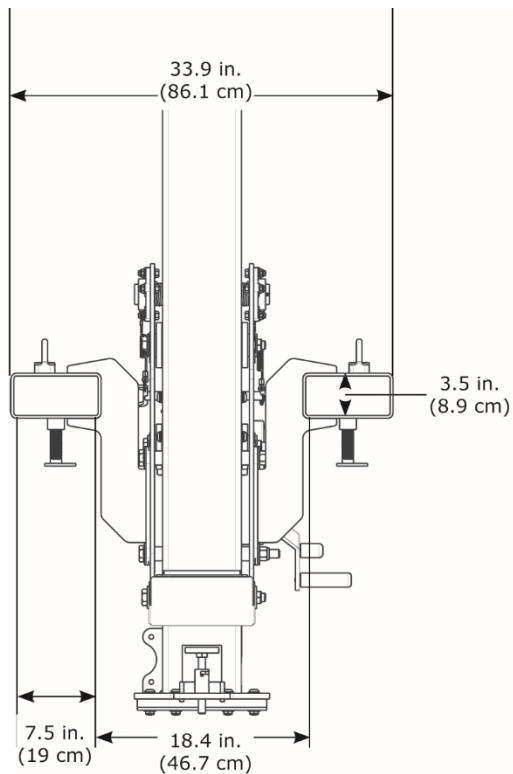
UYGULAMA:

Bu forklift cebi kiti modeli, vinçle çalışan **8530891-8530898** davit modellerini taşımak için tasarlanmıştır.

Bileşen kurulumu hakkında daha fazla bilgi için 3M kullanım kılavuzu 5908372'ye bakın.



	Parça Numarası	Açıklama	Miktar
1	8550127	Üçlü Vida	2
2	8549905	Forklift Cebi Kaynağı	2
3	8518276	3/4" Altıgen Somun	2
4	9512004	3/4" x 12" Cıvata	2
5	M970033018	3/4" Pul	4
6	9515122	Kullanıcı Etiketli	1
	9500146	Zincir Bağlantısı	2
	8517096	Zincir	10 ft.



Zemin Cebi Kiti

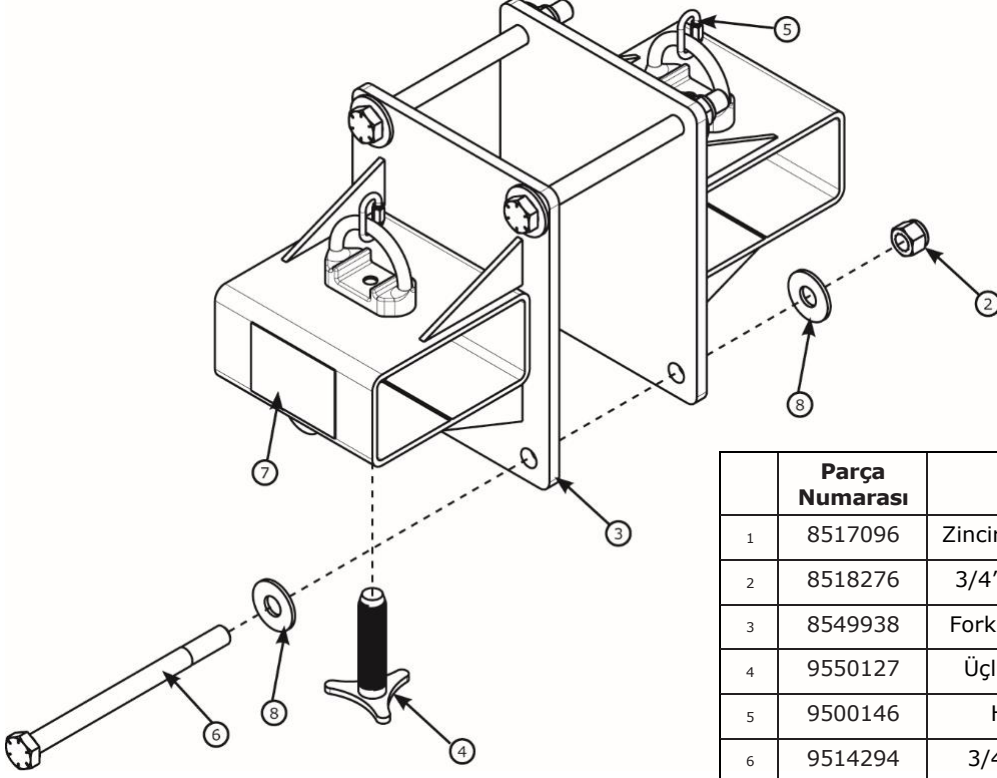
TEKNİK BİLGİ FÖYÜ: 8530925

3M**DBI
SALA®**
Fall Protection

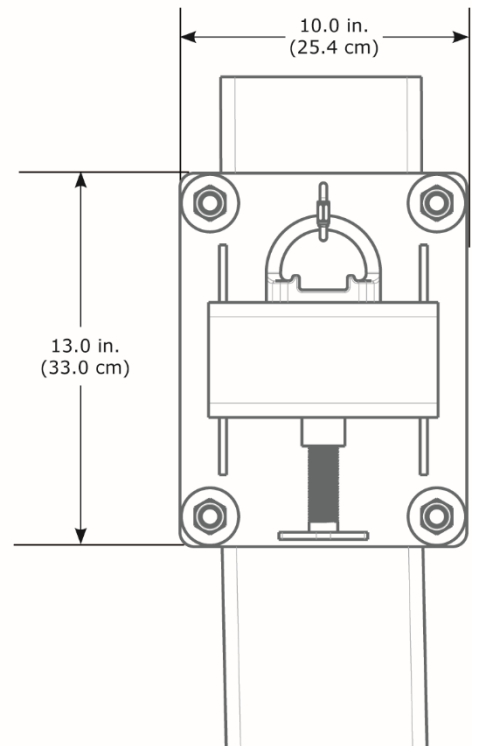
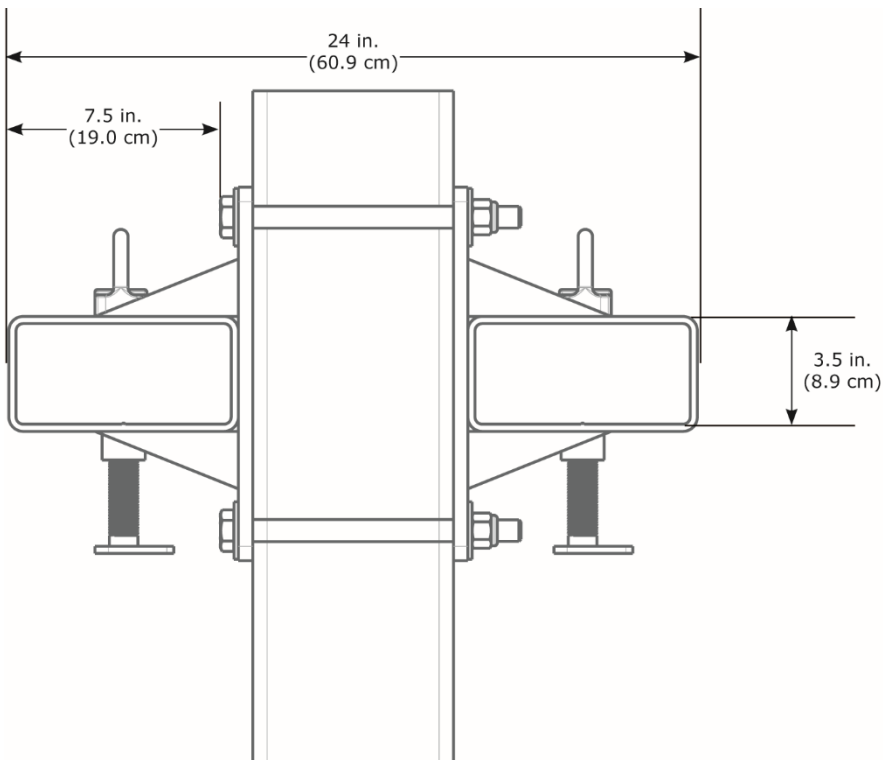
UYGULAMA:

Bu forklift cebi kiti modeli, ayar kanallı **8530899-8530904** davit modellerini taşımak için tasarlanmıştır.

Bileşen kurulumu hakkında daha fazla bilgi için 3M kullanım kılavuzu 5908372'ye bakın.



	Parça Numarası	Açıklama	Miktar
1	8517096	Zincir (gösterilmemiş)	10 ft.
2	8518276	3/4" Altıgen Somun	4
3	8549938	Forklift Cebi Kaynağı	2
4	9550127	Üçlü Vida Kaynağı	2
5	9500146	Hızlı Bağlantı	2
6	9514294	3/4" Altıgen Başlı Cıvata	4
7	9515573	Uyarı Etiketi	1
8	M970033018	3/4" Pul	8





Fall Protection

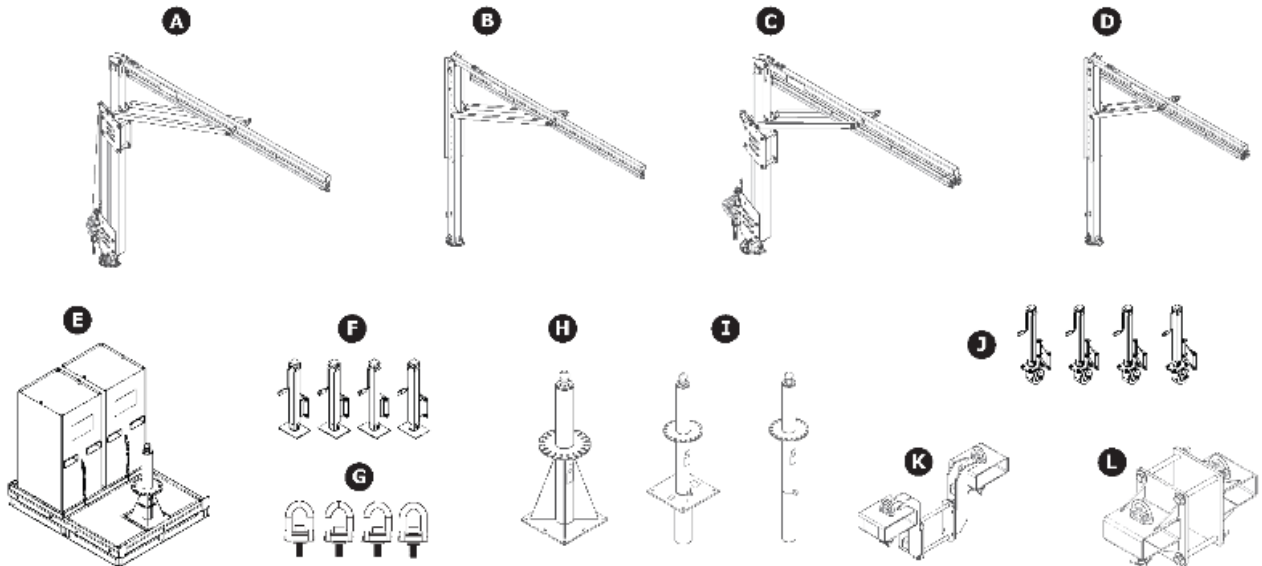
3M™ DBI-SALA®

M200 悬臂系统

技术数据表包

5908526 Rev. D

标注	技术数据表	描述	页面
A	8530891	12.3 英尺-15 英尺 (3.8 米-4.6 米) 可调节悬臂	560
	8530892	14.8 英尺-20 英尺 (4.5 米-6.1 米) 可调节悬臂	560
	8530893	17.3 英尺-25 英尺 (5.3 米-7.6 米) 可调节悬臂	560
	8530894	19.8 英尺-30 英尺 (6.1 米-9.1 米) 可调节悬臂	560
B	8530899	15 英尺-20 英尺 (4.6 米-6.1 米) 半固定悬臂	562
	8530900	20 英尺-25 英尺 (6.1 米-7.6 米) 半固定悬臂	562
	8530901	25 英尺-30 英尺 (7.6 米-9.1 米) 半固定悬臂	562
C	8530895	12.3 英尺-15 英尺 (3.8 米-4.6 米) 可调节悬臂	564
	8530896	14.8 英尺-20 英尺 (4.5 米-6.1 米) 可调节悬臂	564
	8530897	17.3 英尺-25 英尺 (5.3 米-7.6 米) 可调节悬臂	564
	8530898	19.8 英尺-30 英尺 (6.1 米-9.1 米) 可调节悬臂	564
D	8530902	15 英尺-20 英尺 (4.6 米-6.1 米) 半固定悬臂	566
	8530903	20 英尺-25 英尺 (6.1 米-7.6 米) 半固定悬臂	566
	8530904	25 英尺-30 英尺 (7.6 米-9.1 米) 半固定悬臂	566
E	8530886	未填充配重底座	568
	8530887	填充配重底座	568
F	8530907	配重底座千斤顶	570
G	8530777	配重底座吊环	570
H	8530888	地面安装底座	572
I	8530889, 8530920, 8530921	嵌入式安装底座	573
J	8530908	配重底座轮子	570
K	8530912	叉车插口套件	575
L	8530925	叉车插口套件	576



模块化可调节悬臂

技术数据表: **8530891-8530894**



应用:

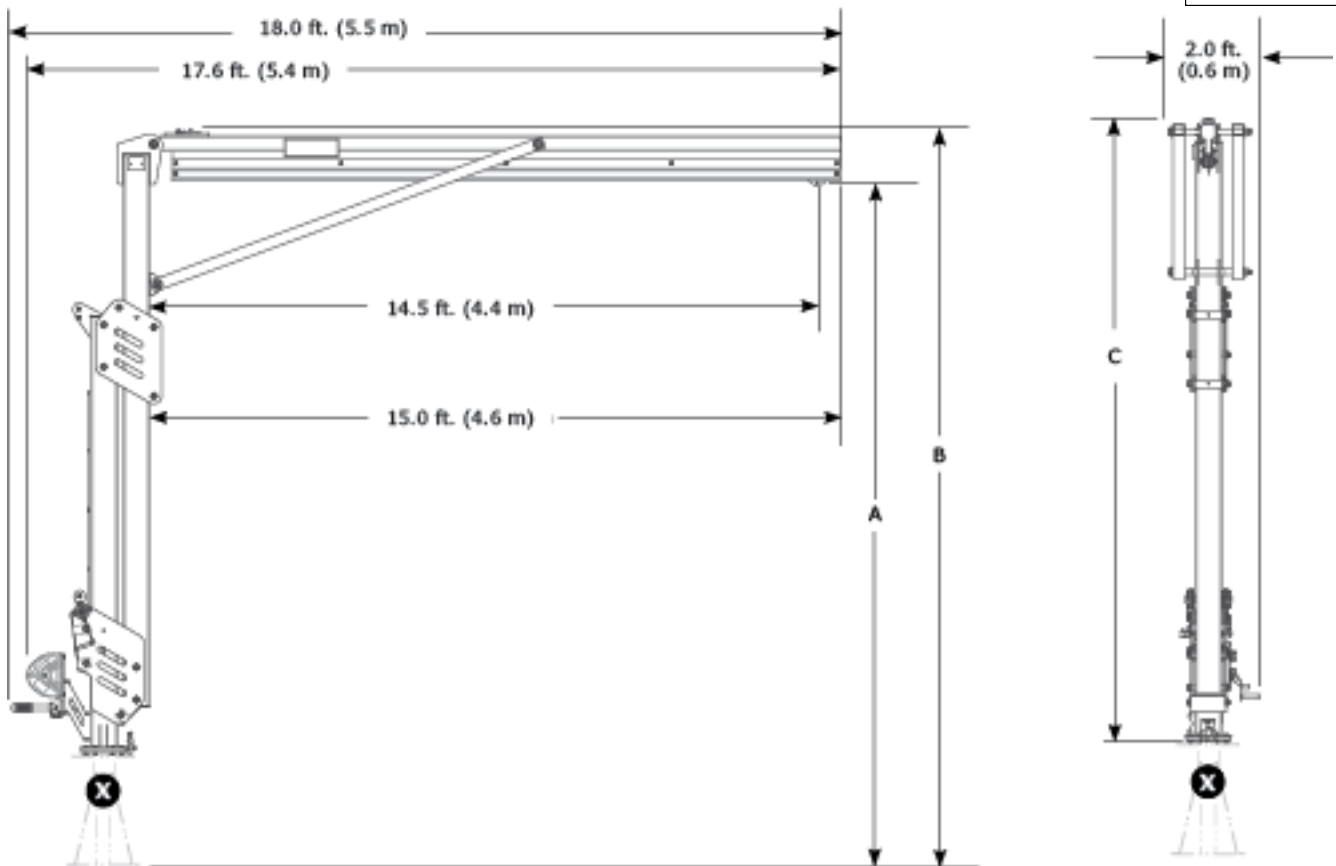
吊臂旨在为坠落防护系统提供锚固连接点。

有关产品安装的更多信息，请参阅用户说明。

标准: **EN795:2012 E型, OSHA 1910.140, OSHA 1926.502**

≤ 1350 lb.
(6 kN)

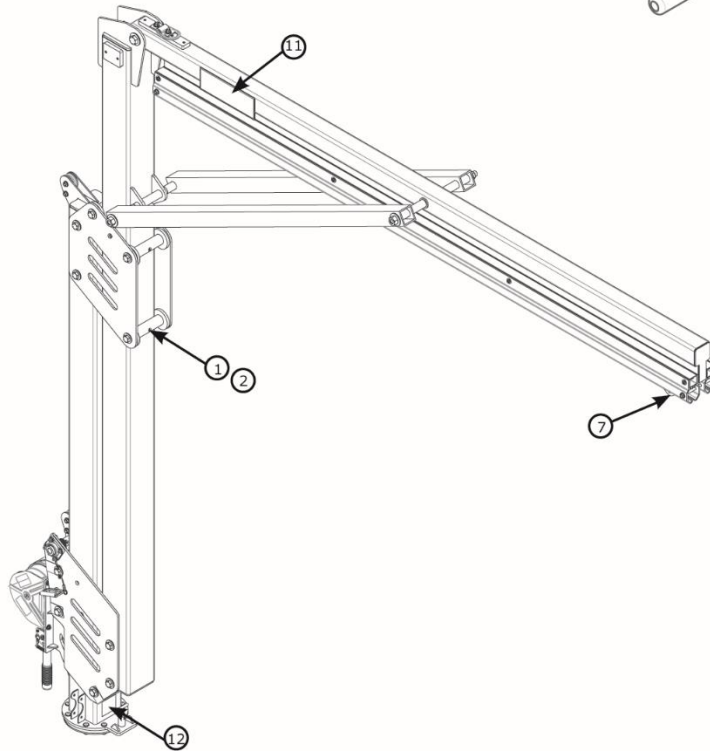
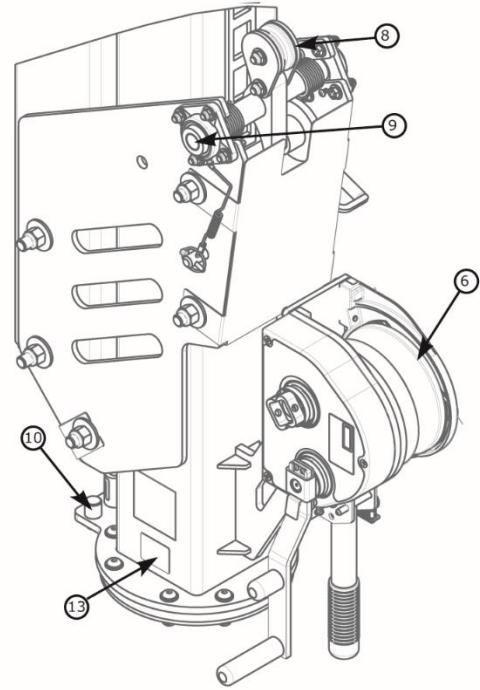
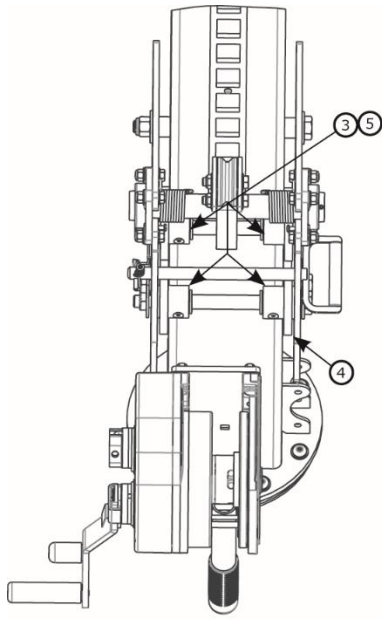
1x ≤ 310 lb.
(140 kg)



	A	B	C	lb. (kg)
8530891	12.3 ft. – 15.0 ft. (3.8 m – 4.6 m)	13.4 ft. – 16.1 ft. (4.1 m – 4.9 m)	9.8 ft. – 14.8 ft. (3.0 m – 4.5 ft.)	945 lb. (429 kg)
8530892	14.8 ft. – 20.0 ft. (4.5 m – 6.1 m)	15.9 ft. – 21.1 ft. (4.8 m – 6.4 m)	13.5 ft. – 18.7 ft. (4.1 m – 5.7 m)	1,057 lb. (479 kg)
8530893	17.3 ft. – 25.0 ft. (5.3 m – 7.6 m)	18.4 ft. – 26.1 ft. (5.6 m – 8.0 m)	16.0 – 23.7 ft. (4.9 m – 7.2 m)	1,169 lb. (530 kg)
8530894	19.8 ft. – 30.0 ft. (6.0 m – 9.1 m)	20.9 ft. – 31.1 ft. (6.4 m – 9.5 m)	18.5 ft. – 28.7 ft. (5.6 m – 8.7 m)	1,281 lb. (581 kg)

模块化可调节悬臂组件

技术数据表: 8530891-8530894



组件列表				
	零件编号	描述	材料	数量
1	8550046	宽滚轮	尼龙	3
2	8550047	宽滚轮垫片	304不锈钢	3
3	8550327	窄滚轮	尼龙	2
4	9514703	侧滚轮	尼龙	8
5	8550213	窄滚轮垫片	304不锈钢	2
6	8549930	绞盘	钢	1
7	8521711	滑梭	钢, 尼龙	1

组件列表				
	零件编号	描述	材料	数量
8	8550223	锁定机构 (仅授权维修)	钢, 尼龙	1
9	9515138	轴承	钢	2
10	8550398	旋转止动装置	铝	2
11	9515111	3M标签	聚酯	2
12	9515101	旋转标签	聚酯	1
13	9514429	ID标签	聚酯	1
14	9515112	用户标签	聚酯	1

模块化半固定悬臂

技术数据表: **8530899-8530901**




应用:


吊臂旨在为坠落防护系统提供锚固连接点。

有关产品安装的更多信息，请参阅用户说明。

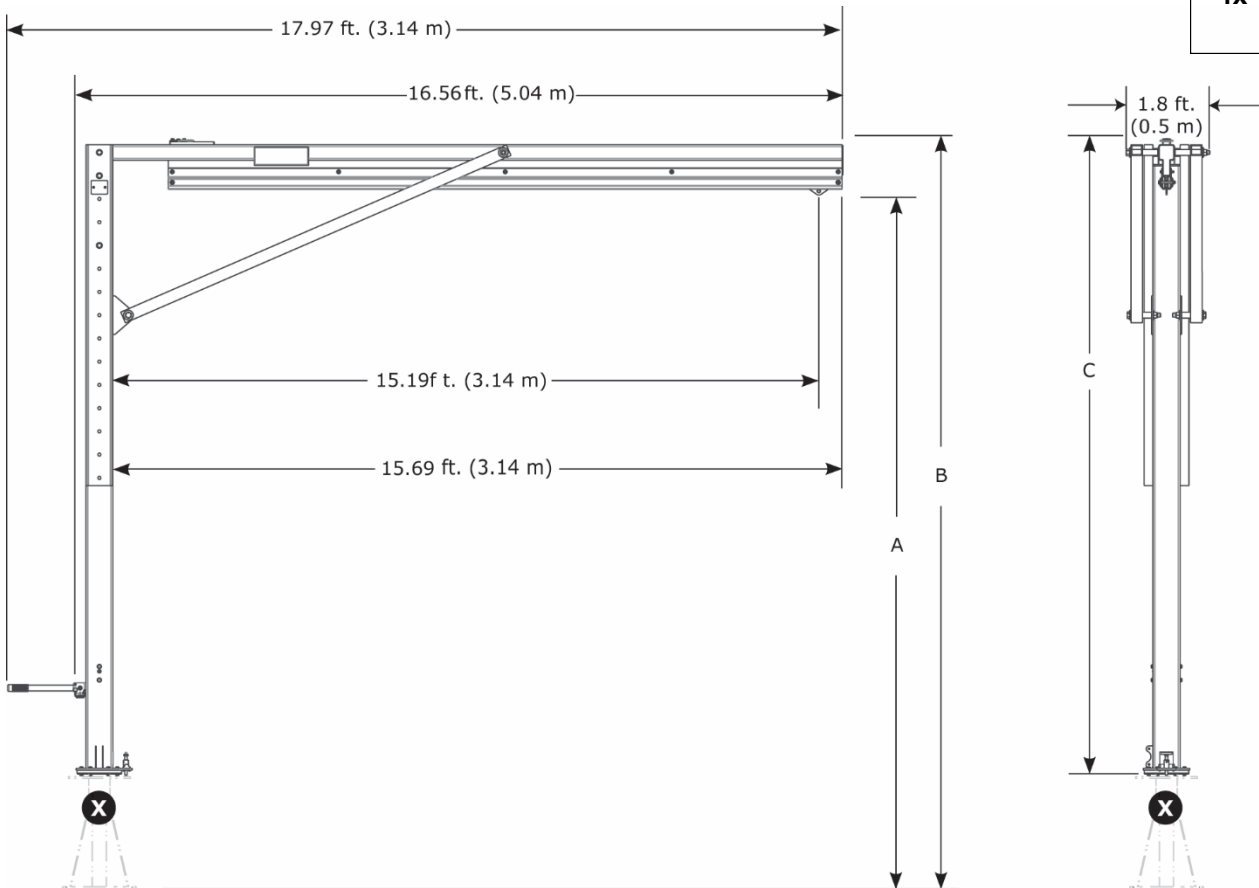
标准: **EN795:2012 E型, OSHA 1910.140, OSHA 1926.502**



≤ 1350 lb.
(6 kN)



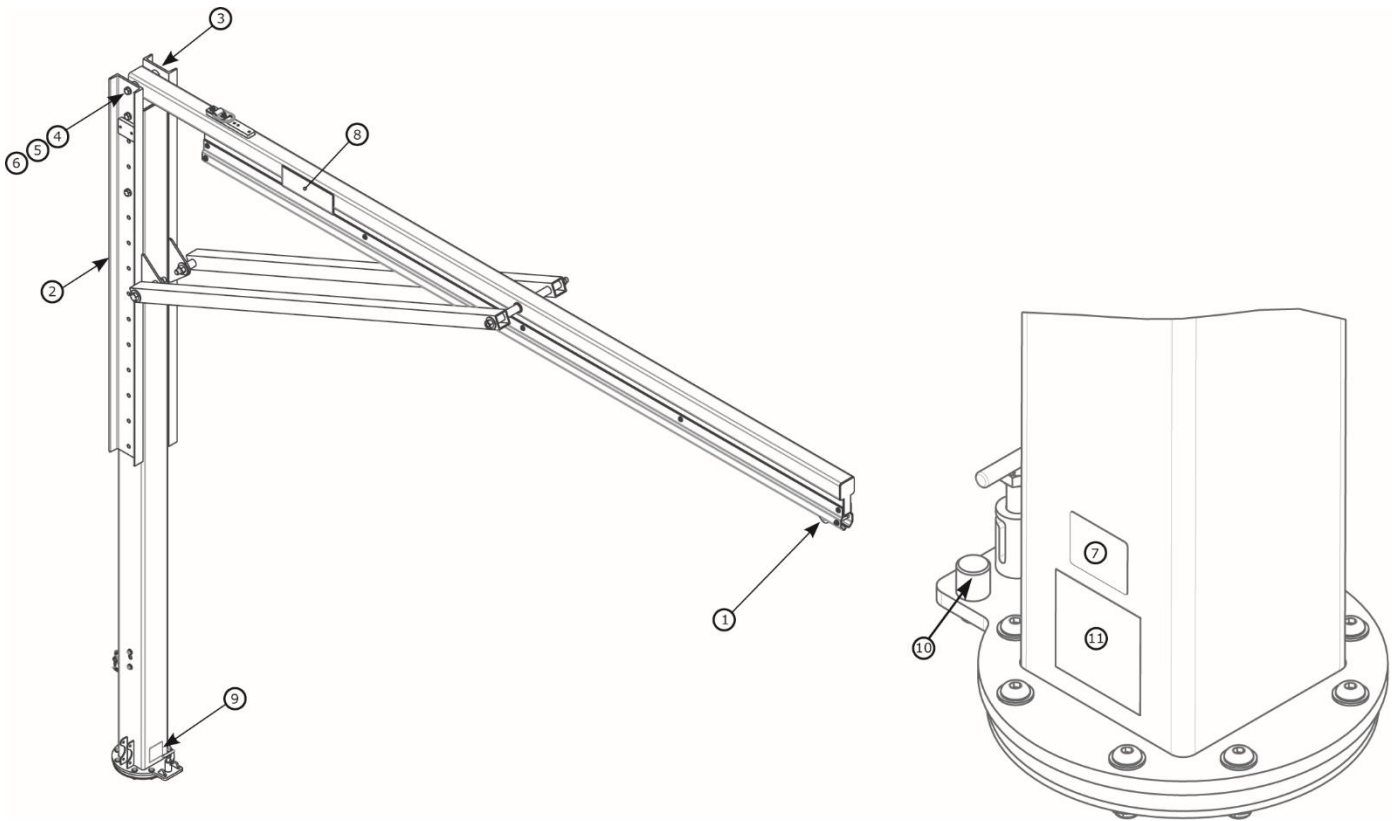
1x ≤ 310 lb.
(140 kg)



	A	B	C	lb. (kg)
8530899	15.0 ft. – 20.0 ft. (4.6 m – 6.1 m)	16.1 ft. – 21.1 ft. (4.9 m – 6.4 m)	13.7 ft. – 18.7 ft. (4.2 m – 5.7 m)	818 lb. (371 kg)
8530900	20.0 ft. – 25.0 ft. (6.1 m – 7.6 m)	21.1 ft. – 26.1 ft. (6.4 m – 7.9 m)	18.7 ft. – 23.7 ft. (5.7 m – 7.2 m)	930 lb. (422 kg)
8530901	25.0 ft. – 30.0 ft. (7.6 m – 9.1 m)	26.1 ft. – 31.1 ft. (7.9 m – 9.6 m)	23.7 ft. – 28.7 ft. (7.2 m – 8.7 m)	1,041 lb. (472 kg)
	+6" (152 mm) 调整增量			

模块化半固定悬臂组件

技术数据表: 8530899-8530901



零件编号	描述	材料	数量
1 8521711	滑轮	不锈钢·钢·尼龙	1
2 8549933	救援安装固定板	钢	1
3 8550248	固定板	钢	1
4 8526654	5/8" X 7" 螺栓	钢	2
5 8522275	5/8" 垫圈	钢	4
6 8518276	5/8" 螺母	钢	2
7 9514429	ID 标签	聚酯	1

零件编号	描述	材料	数量
8 9515111	3M 标签	聚酯	2
9 9515101	旋转标签	聚酯	1
10 8550398	旋转止动装置	铝	2
11 9515112	用户标签	聚酯	1

模块化可调节悬臂

技术数据表: **8530895-8530898**

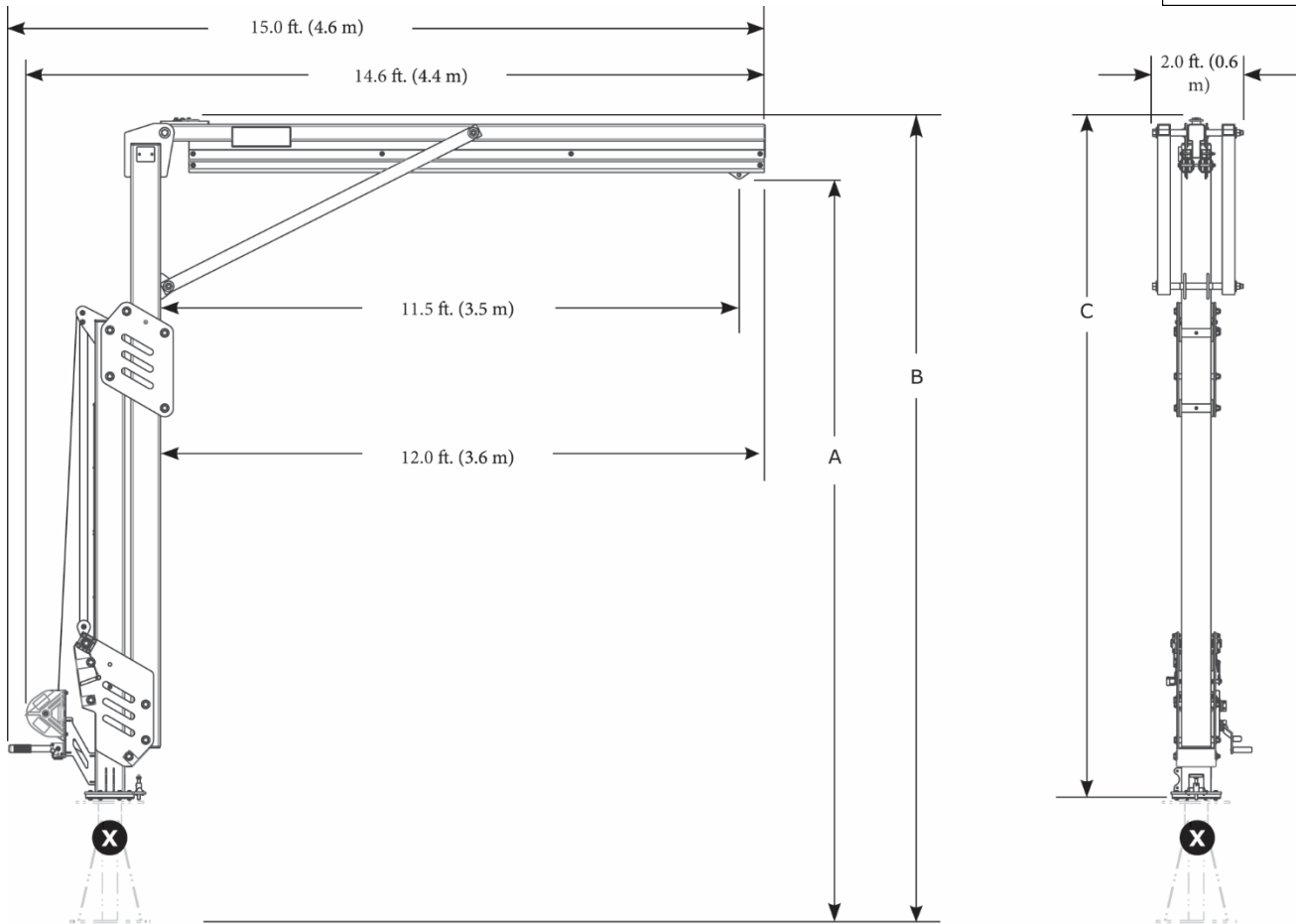
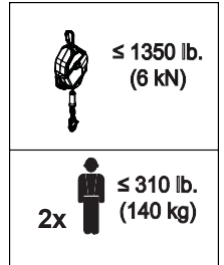


应用:

吊臂旨在为坠落防护系统提供锚固连接点。

有关产品安装的更多信息，请参阅用户说明。

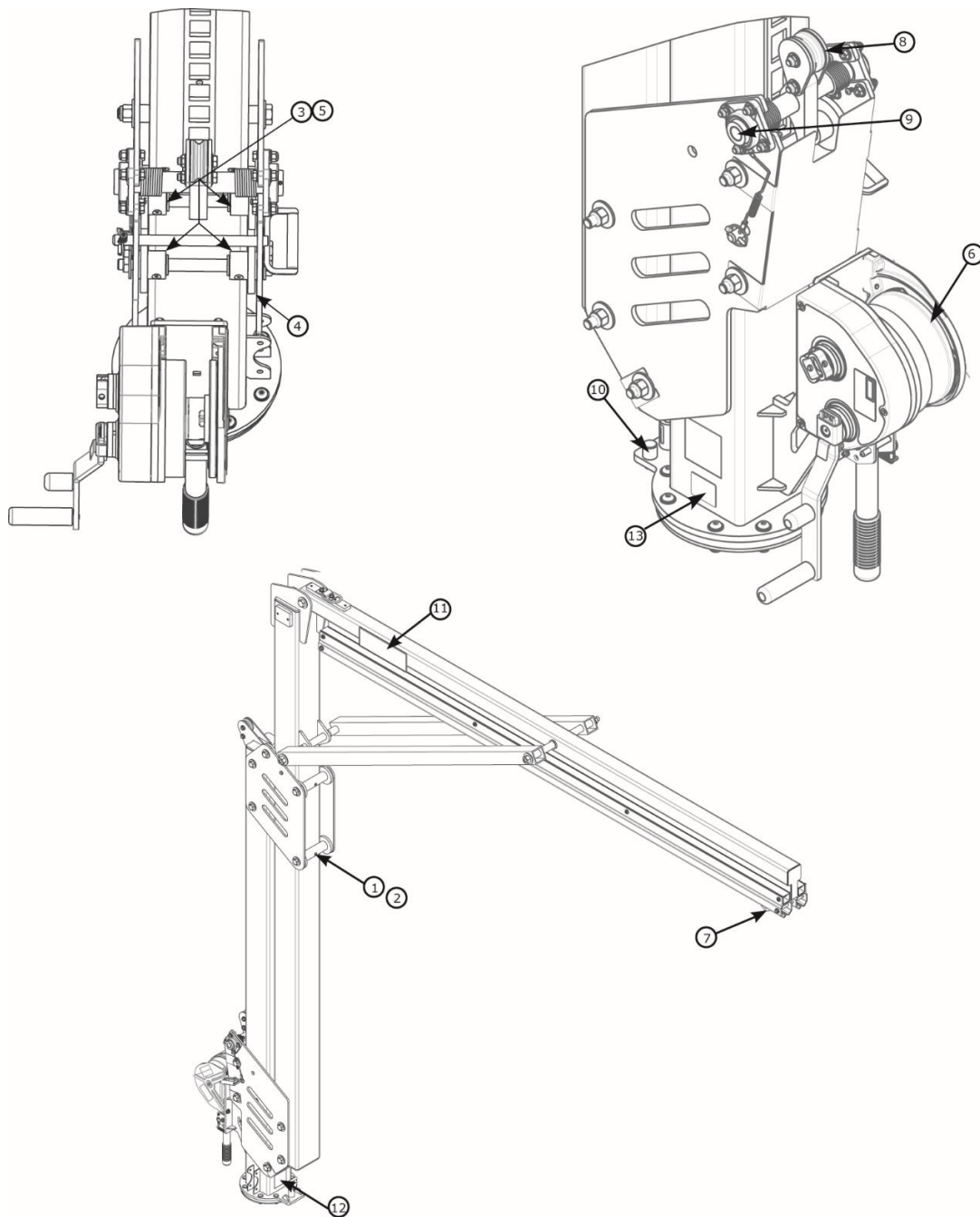
标准: **CEN/TS 16415:2013 E型, EN795:2012 E型, OSHA 1910.140, OSHA 1926.502**



	A	B	C	lb. (kg)
8530895	12.3 ft. - 15.0 ft. (3.8 m - 4.6 m)	13.4 ft. - 16.1 ft. (4.1 m - 4.9 m)	11.0 ft. - 13.7 ft. (3.4 m - 4.2 ft.)	1,011 lb. (459 kg)
8530896	14.8 ft. - 20.0 ft. (4.5 m - 6.1 m)	15.9 ft. - 21.1 ft. (4.8 m - 6.4 m)	13.5 ft. - 18.7 ft. (4.1 m - 5.7 m)	1,123 lb. (509 kg)
8530897	17.3 ft. - 25.0 ft. (5.3 m - 7.6 m)	18.4 ft. - 26.1 ft. (5.6 m - 8.0 m)	16.0 - 23.7 ft. (4.9 m - 7.2 m)	1,235 lb. (560 kg)
8530898	19.8 ft. - 30.0 ft. (6.0 m - 9.1 m)	20.9 ft. - 31.1 ft. (6.4 m - 9.5 m)	18.5 ft. - 28.7 ft. (5.6 m - 8.7 m)	1,343 lb. (609 kg)

模块化可调节悬臂组件

技术数据表: 8530895-8530898



组件列表

零件编号	描述	材料	数量	
1	8550046	宽滚轮	尼龙	3
2	8550047	宽滚轮垫片	304不锈钢	3
3	8550327	窄滚轮	尼龙	2
4	9514703	侧滚轮	尼龙	8
5	8550213	窄滚轮垫片	304不锈钢	2
6	8549930	绞盘	钢	1
7	8521711	滑梭	钢, 尼龙	1

组件列表

零件编号	描述	材料	数量	
8	8550223	锁定机构 (仅授权维修)	钢, 尼龙	1
9	9515138	轴承	钢	2
10	8550398	旋转止动装置	铝	2
11	9515111	3M标签	聚酯	2
12	9515101	旋转标签	聚酯	1
13	9514429	ID标签	聚酯	1
14	9515112	用户标签	聚酯	1

模块化半固定悬臂

技术数据表: 8530902-8530904




应用:


吊臂旨在为坠落防护系统提供锚固连接点。

有关产品安装的更多信息，请参阅用户说明。

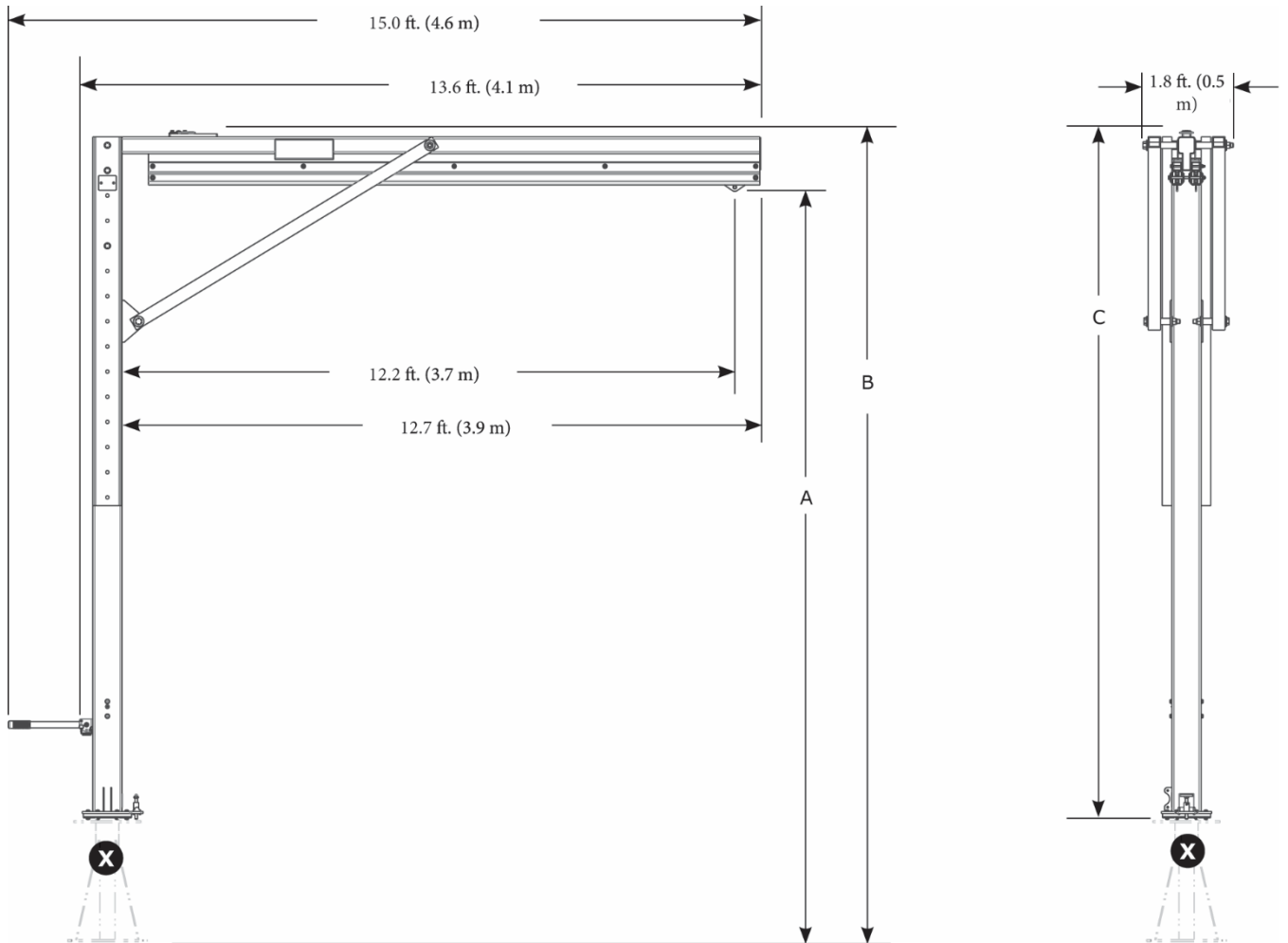
标准：CEN/TS 16415:2013 E型, EN795:2012 E型, OSHA 1910.140, OSHA 1926.502



≤ 1350 lb.
(6 kN)



2x ≤ 310 lb.
(140 kg)



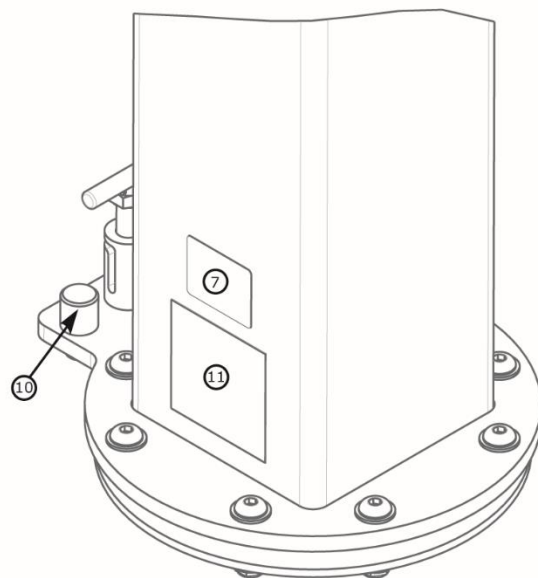
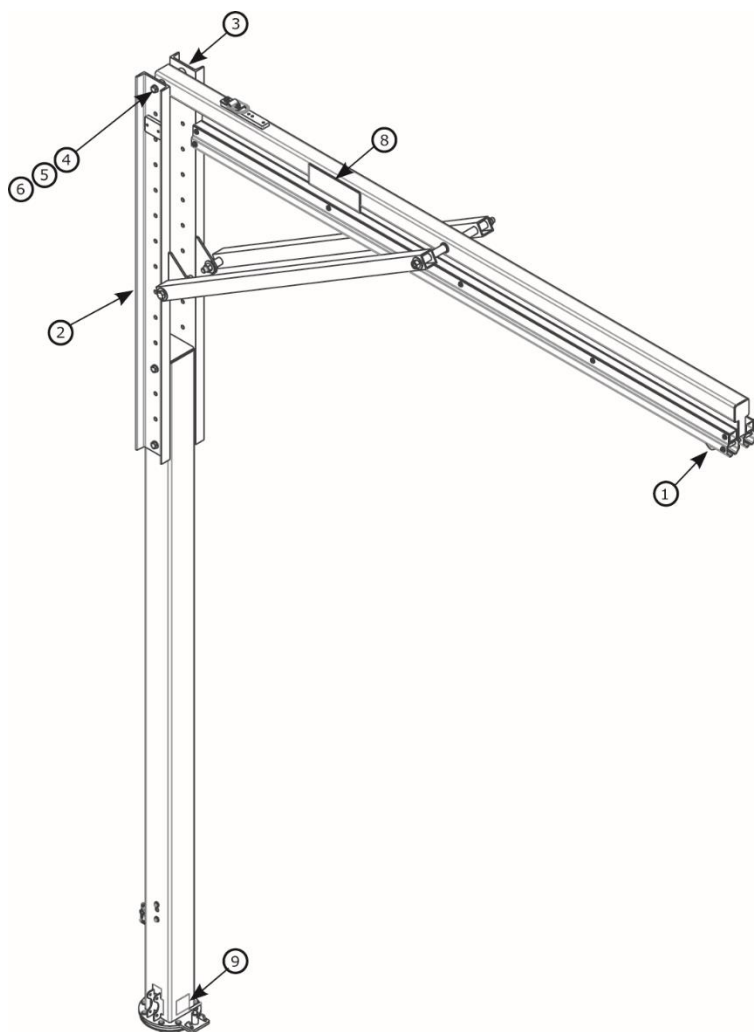
	A	B	C	lb. (kg)
8530902	15.0 ft. - 20.0 ft. (4.6 m - 6.1 m)	16.1 ft. - 21.1 ft. (4.9 m - 6.4 m)	13.7 ft. - 18.7 ft. (4.2 m - 5.7 m)	850 lb. (386 kg)
8530903	20.0 ft. - 25.0 ft. (6.1 m - 7.6 m)	21.1 ft. - 26.1 ft. (6.4 m - 7.9 m)	18.7 ft. - 23.7 ft. (5.7 m - 7.2 m)	961 lb. (436 kg)
8530904	25.0 ft. - 30.0 ft. (7.6 m - 9.1 m)	26.1 ft. - 31.1 ft. (7.9 m - 9.6 m)	23.7 ft. - 28.7 ft. (7.2 m - 8.7 m)	1,073 lb. (487 kg)

模块化半固定悬臂组件

技术数据表: 8530902-8530904



Fall Protection



零件编号	描述	材料	数量
1 8521711	滑轮	不锈钢·钢· 尼龙	1
2 8549933	救援安装固定板	钢	1
3 8550248	固定板	钢	1
4 8526654	5/8" X 7" 螺栓	钢	2
5 8522275	5/8" 垫圈	钢	4
6 8518276	5/8" 螺母	钢	2
7 9514429	ID 标签	聚酯	1

零件编号	描述	材料	数量
8 9515111	3M 标签	聚酯	2
9 9515101	旋转标签	聚酯	1
10 8550398	旋转止动装置	铝	2
11 9515112	用户标签	聚酯	1

M200 配重底座

技术数据表: 8530886, 8530887



应用:

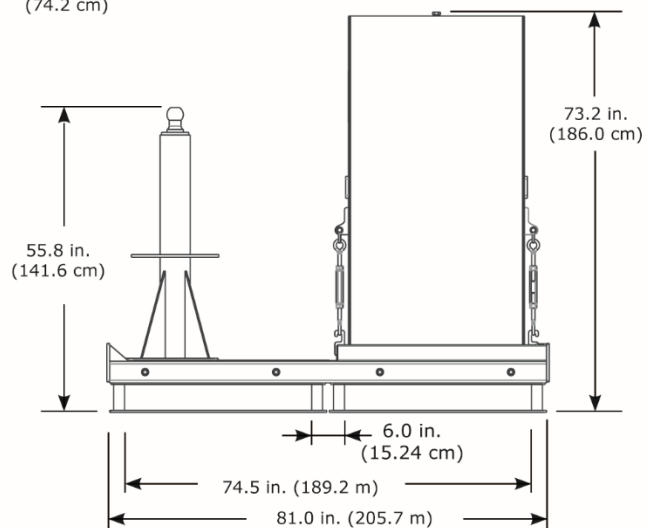
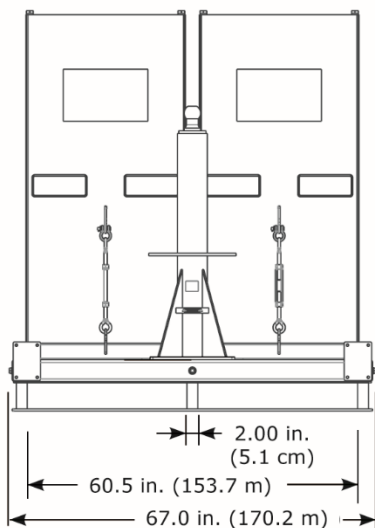
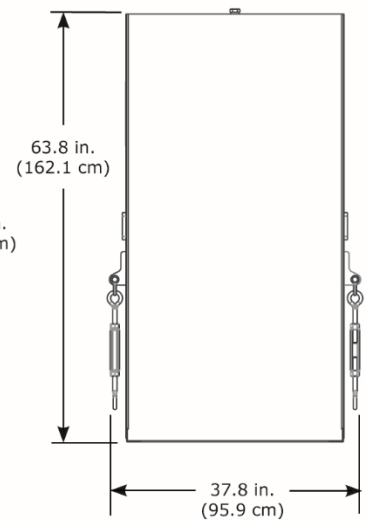
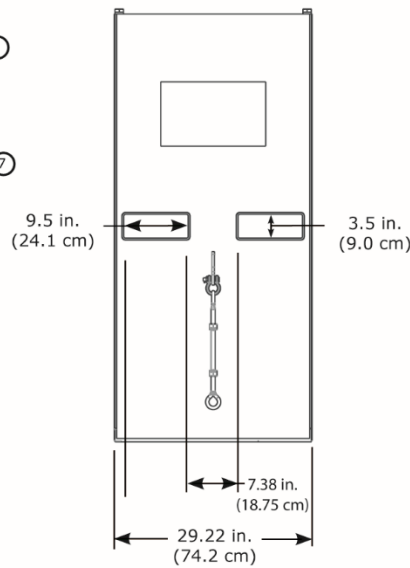
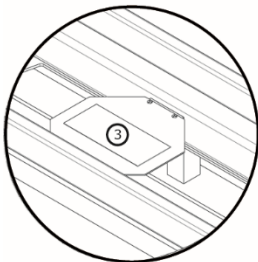
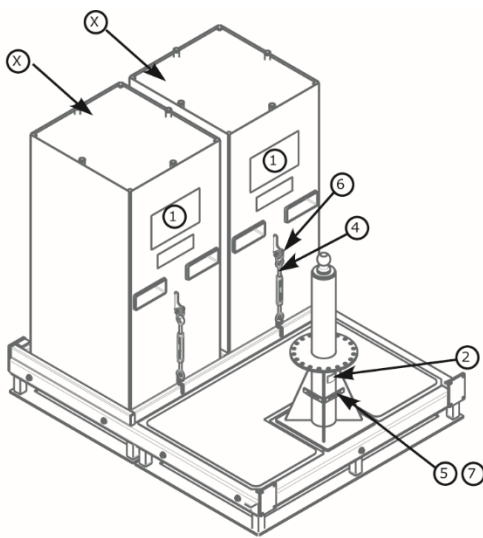
配重底座设计用于填充混凝土，并作为3M™ DBI-SALA® Flexiguard™ 模块化悬臂系统的安装固定点。

有关产品安装的更多信息，请参阅用户说明。

标准：CEN/TS 16415:2013 E型, EN795:2012 E型, OSHA 1910.140, OSHA 1926.502

	X 4,000 psi (30 MPa)	支撑结构要求	重量
8530886		14,645 lb. (6,643 kg)	2,407 lb. (1,092 kg)
8530887	√	+ M200 吊臂的 重量	11,325 lb. (5,137 kg)

组件列表				
	零件编号	描述	材料	数量
1	9515107	用户标签	聚酯	1
2	9514429	ID标签	聚酯	1
3	9515106	警告标签	聚酯	1
4	8520575	花篮螺丝	钢	2
5	9513627	#4 螺钉	钢	4
6	9501794	锚固链条	钢	2
7	9515058	气泡水平仪	塑料	2
8	9515566	警告标签	聚酯	4



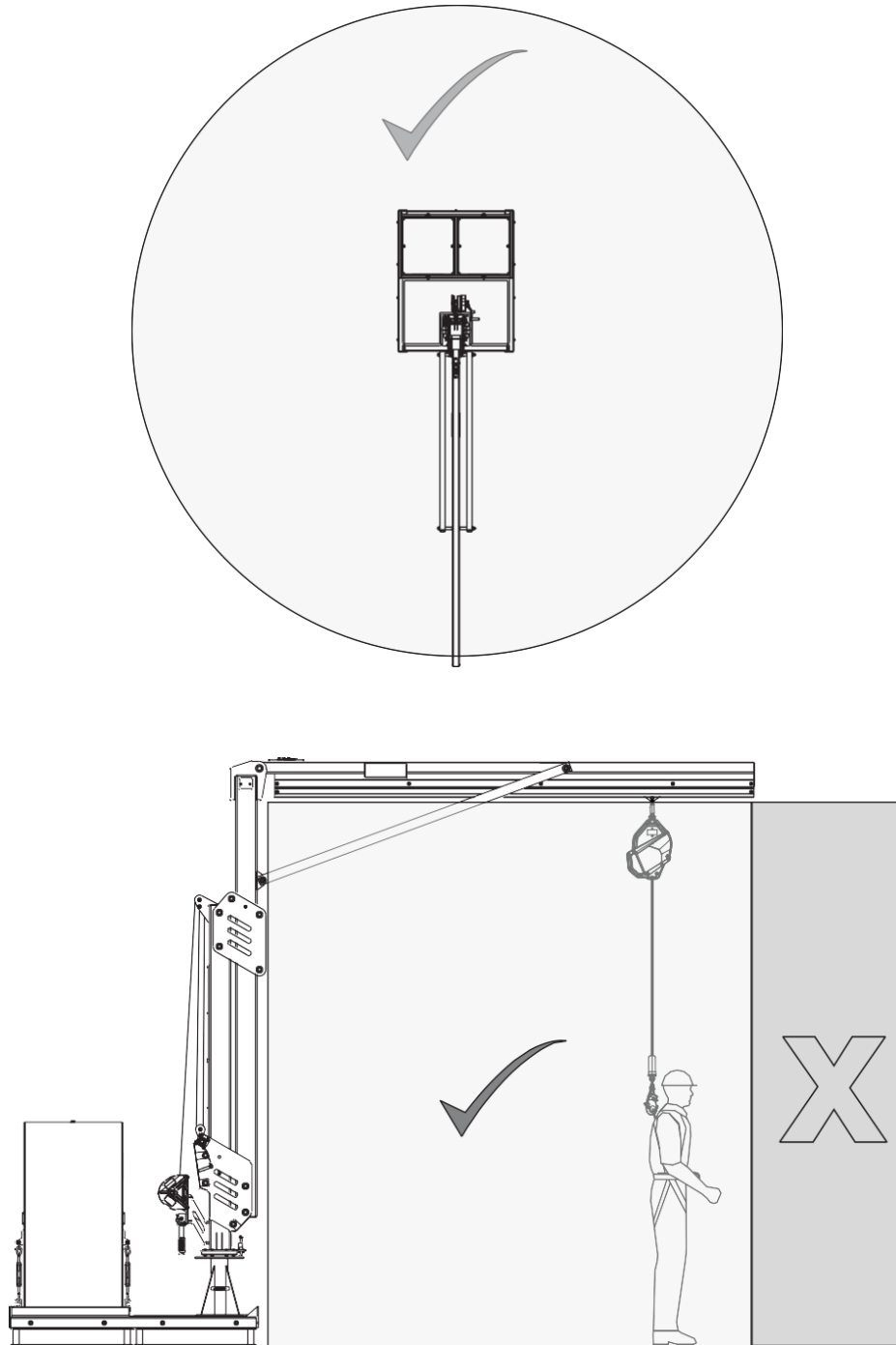
M200 配重底座工作区域

技术数据表: 8530886, 8530887



应用:

请参阅下图以了解产品的工作区域。



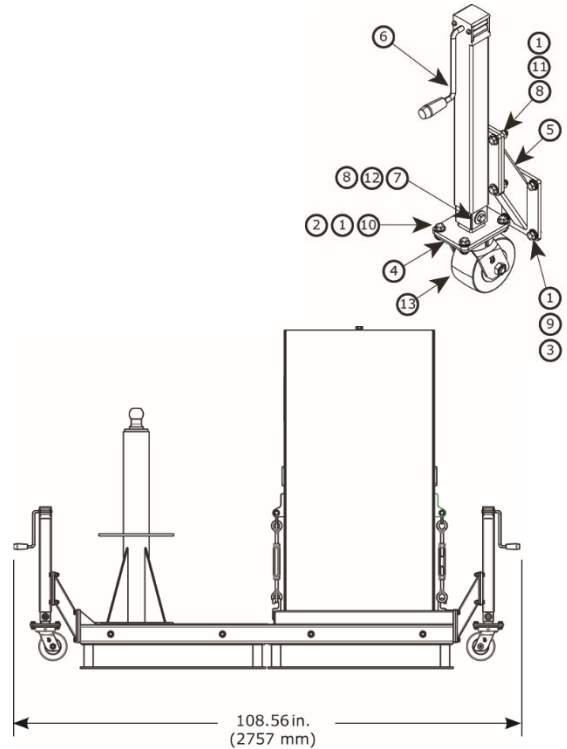
M200 配重底座配件

技术数据表: 8530907, 8530908, 8530777

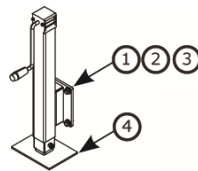


Fall Protection

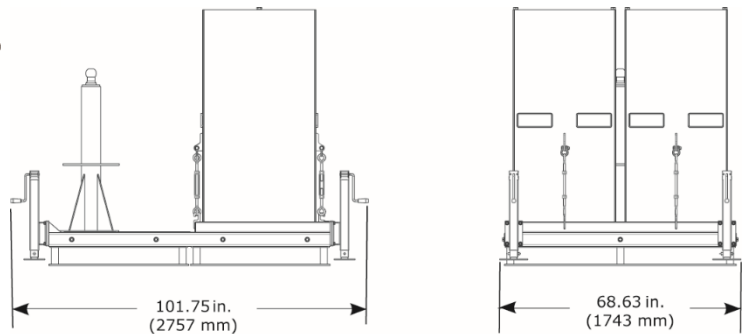
组件列表				
	零件编号	描述	材料	数量
1	8510037	1/2" 垫圈	钢	80
2	8512460	1/2" x 1 1/4" 螺栓	钢	16
3	8518432	1/2" x 1" 螺栓	钢	16
4	8550153	车轮焊接件	钢	4
5	8550155	斜撑焊接件	钢	4
6	8550156	固定焊接件	钢	4
7	9501243	1/2" 垫圈	钢	8
8	9501831	1/2" 六角螺母	钢	20
9	9504221	1/2" 垫圈	钢	16
10	9504813	1/2" 六角螺母	钢	16
11	9509276	1/2" x 1 3/4" 螺栓	钢	16
12	9510153	1/2" x 3 1/4" 螺栓	钢	4
13	9515081	脚轮	钢, 聚氨酯	4



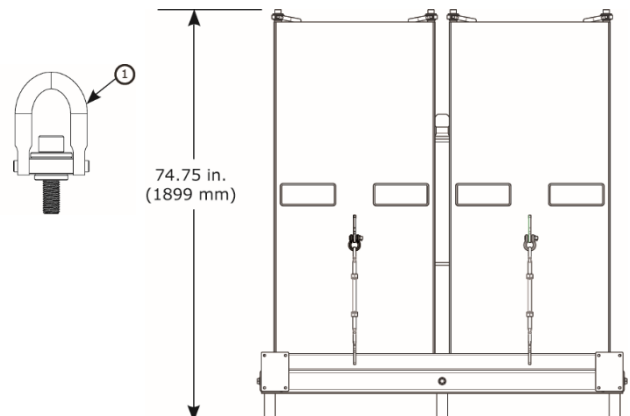
	8530907	8530908	8530777
重量	108 lb. (49 kg)	152 lb. (69 kg)	12 lb. (5.4 kg)



	零件编号	描述	材料	数量
1	9504221	1/2" 锁紧垫圈	钢	16
2	8510037	1/2" 垫圈	钢	16
3	8518432	1/2" x 1" 螺栓	钢	16
4	8550177	车轮焊接件	钢	4



组件列表				
	零件编号	描述	材料	数量
1	9512574	吊环	钢	4




M200 配重底座重心位置

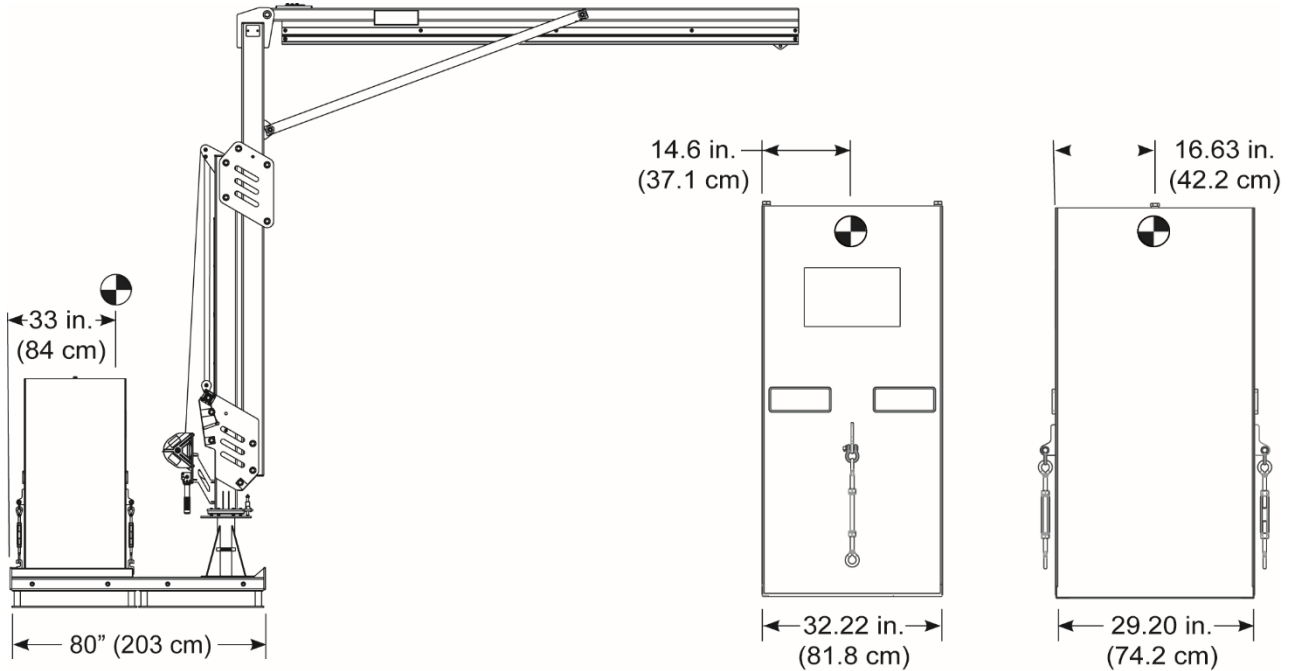
技术数据表: 8530886, 8530887





Fall Protection

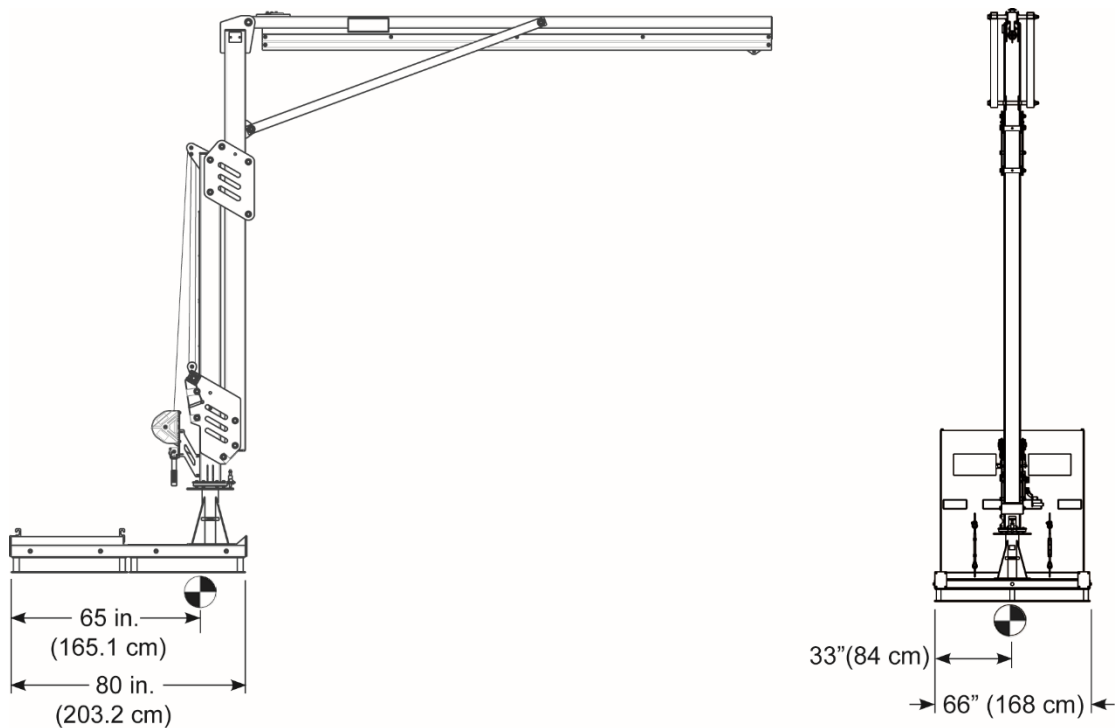
8530887	8530898
 .lb (kg)	12,668 lbs. (5,746 kg)

 .lb (kg)	5,000 lbs. (2,268 kg)
--	--------------------------



8530887	8530898
 .lb (kg)	2,668 lbs. (1,210 kg)

8530887	8530898
 .lb (kg)	12,668 lbs. (5,746 kg)



M200 地面安装底座

技术数据表: 8530888

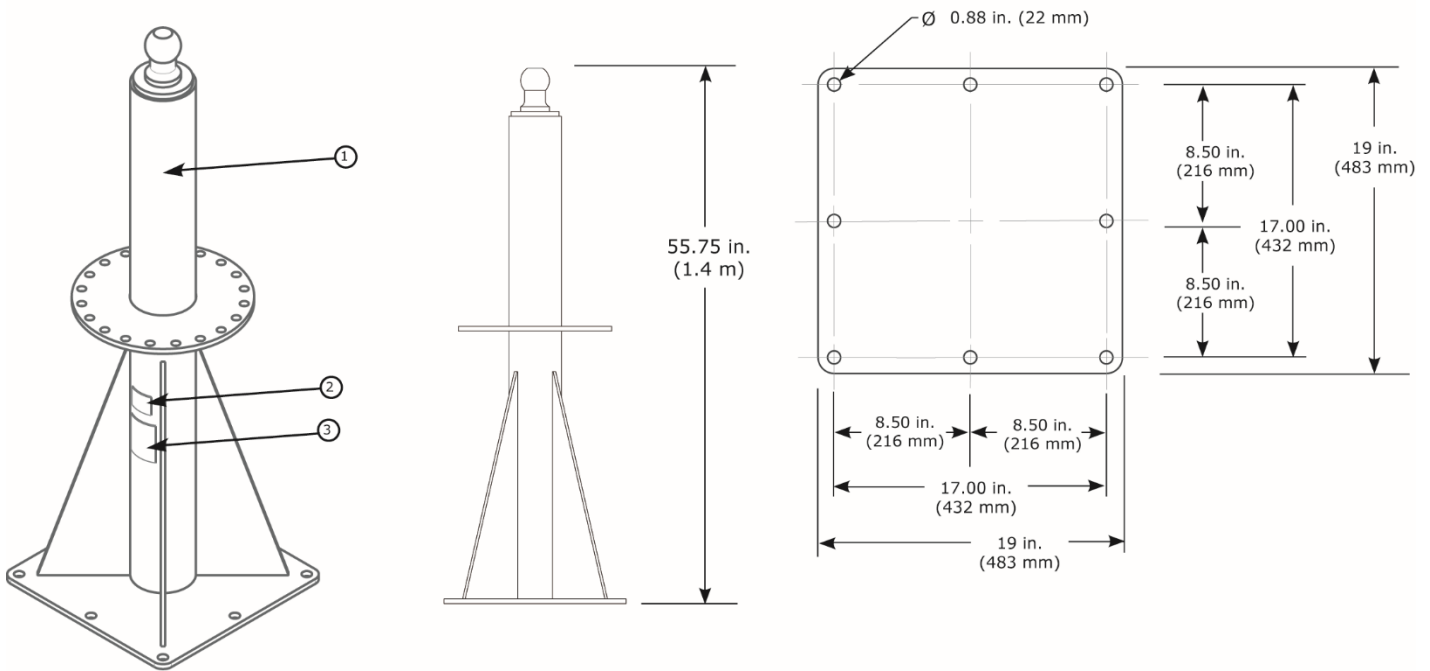


应用:

地面安装底座设计用于锚固到批准的安装结构上，并作为3M批准的模块化悬臂系统的安装固定点。
有关产品安装的更多信息，请参阅用户说明。

标准：CEN/TS 16415:2013 A型, EN795:2012 A型, OSHA 1910.140, OSHA 1926.502

	重量
8530888	265 lb. (120 kg)



组件列表				
	零件编号	描述	材料	数量
1	8549921	底座焊件	钢	1
2	9514429	ID标签	聚酯	1
3	9515114	用户标签	聚酯	1

安装要求		
紧固件最小拉拔力	安装结构最小力矩载荷	安装结构最小垂直载荷
9,386 lb. (4,257 kg)	501,633 in-lb. (56,677 N-m)	3,320 lb. (1,506 kg) + 底座重量 + M200 悬臂的重量

M200 嵌入式安装底座

技术数据表: 8530889, 8530920, 8530921



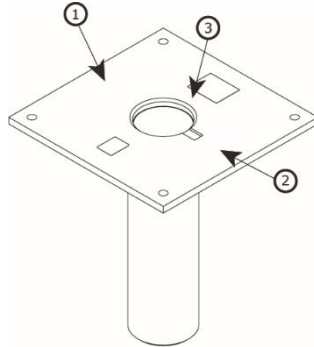
应用:

嵌入式安装底座设计用于锚固到批准的安装结构上，并作为3M批准的模块化悬臂系统的安装固定点。

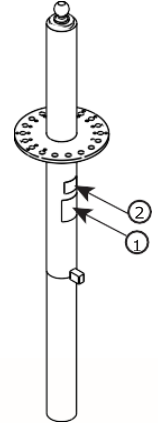
有关产品安装的更多信息，请参阅用户说明。

标准：CEN/TS 16415:2013, EN795:2012 A型, OSHA 1910.140, OSHA 1926.502

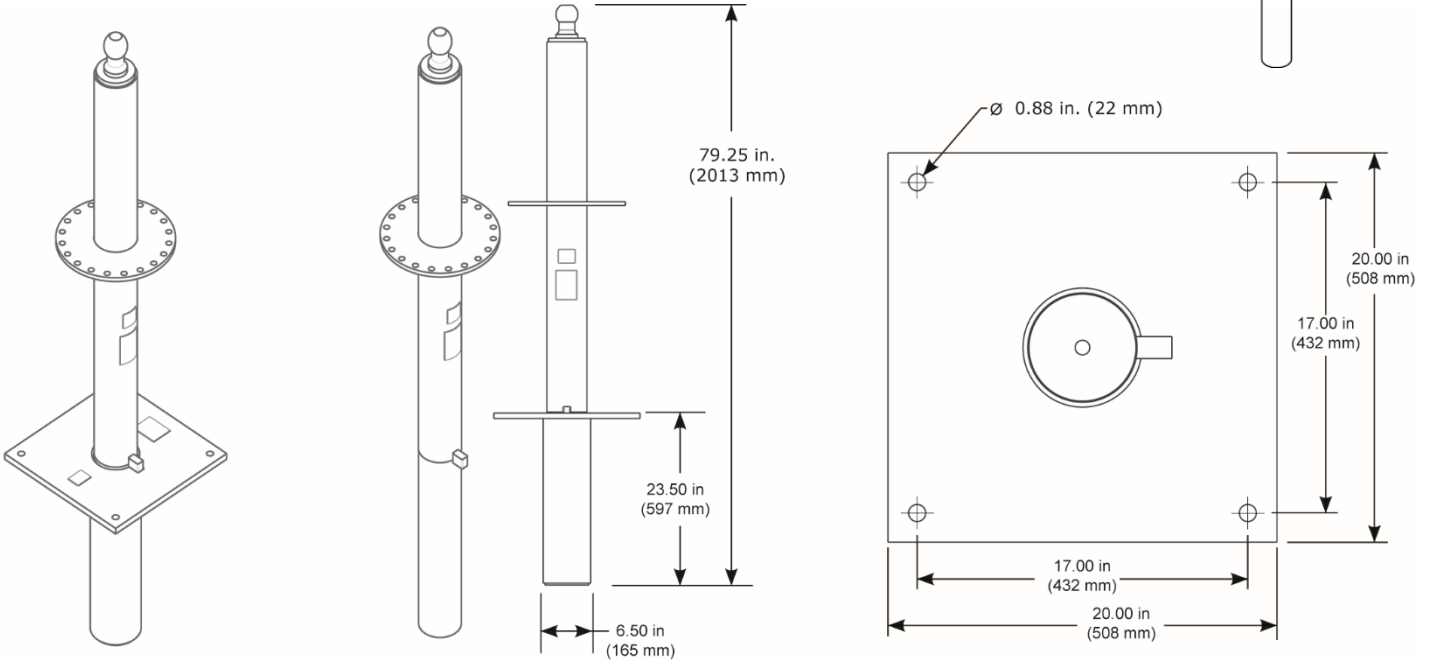
	重量
8530920	140 lb. (64 kg)



	重量
8530921	237 lb. (107 kg)



	重量
8530889	377 lb. (171 kg)



组件列表				
	零件编号	描述	材料	数量
1	9515114	用户标签	聚酯	1
2	9514429	ID标签	聚酯	1
3	8550165	底座盖	铝, 橡胶	1

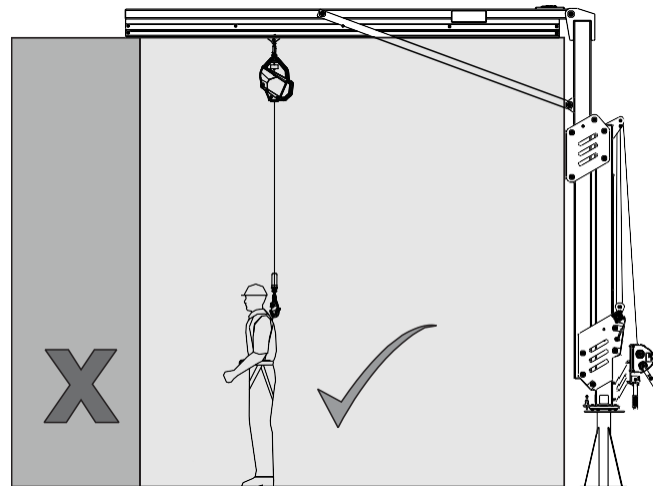
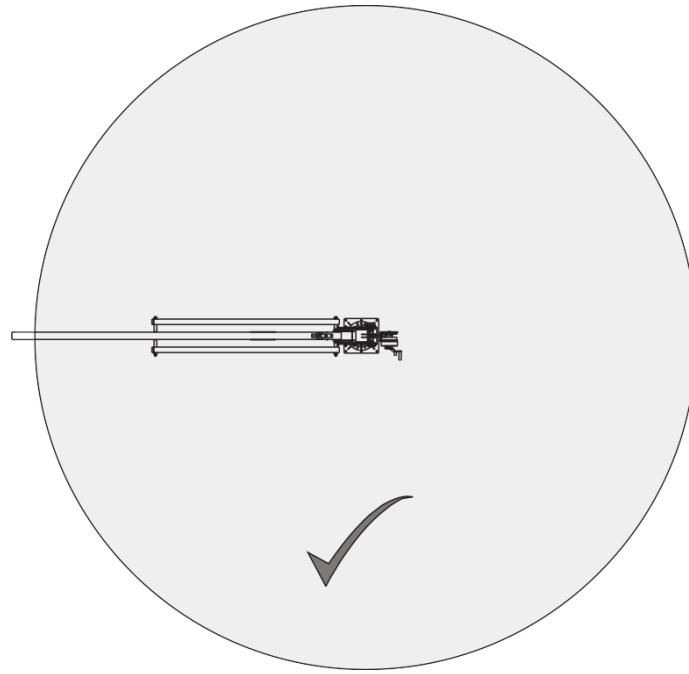
安装要求	
安装结构最小力矩载荷	安装结构最小垂直载荷
501,633 in-lb. (56,677 N-m)	3,320 lb. (1,506 kg) + 底座重量 + M200 悬臂的重量

M200 地面安装底座工作区域
技术数据表: 8530888, 8530889



应用:

请参阅下图以了解产品的工作区域。



叉车插口套件

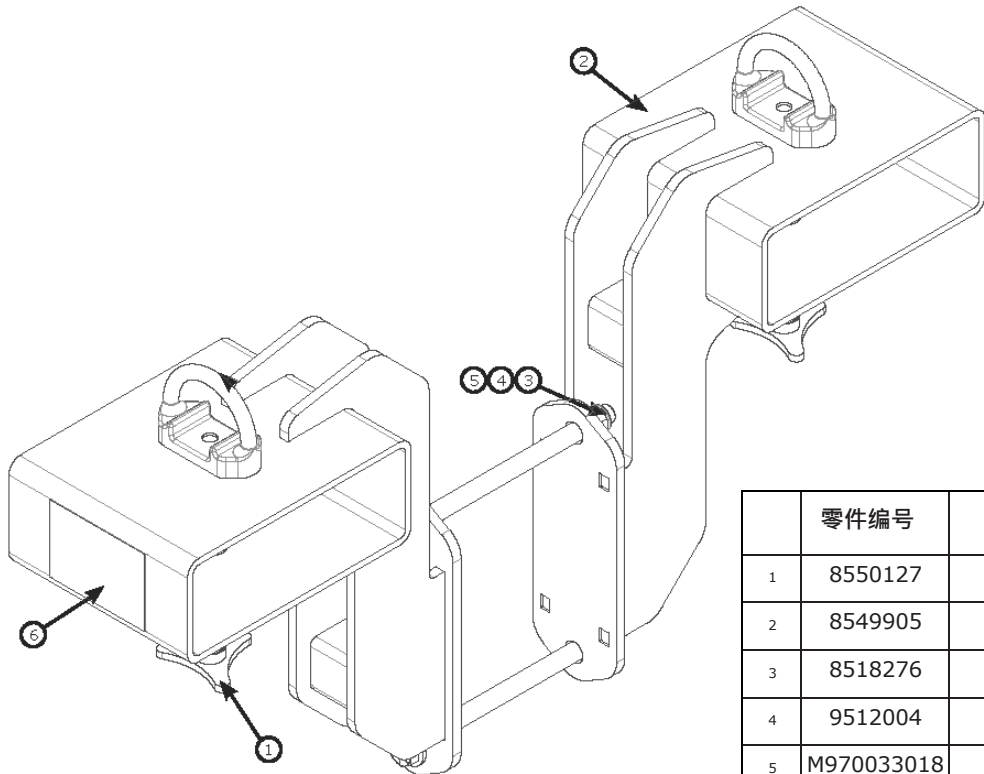
技术数据表: **8530912**



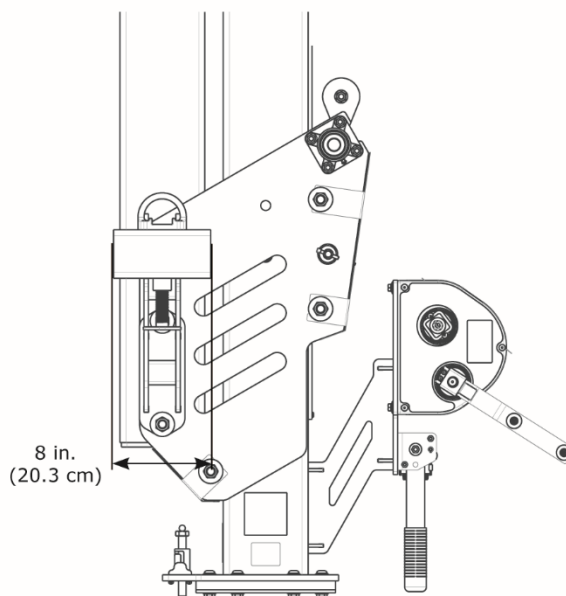
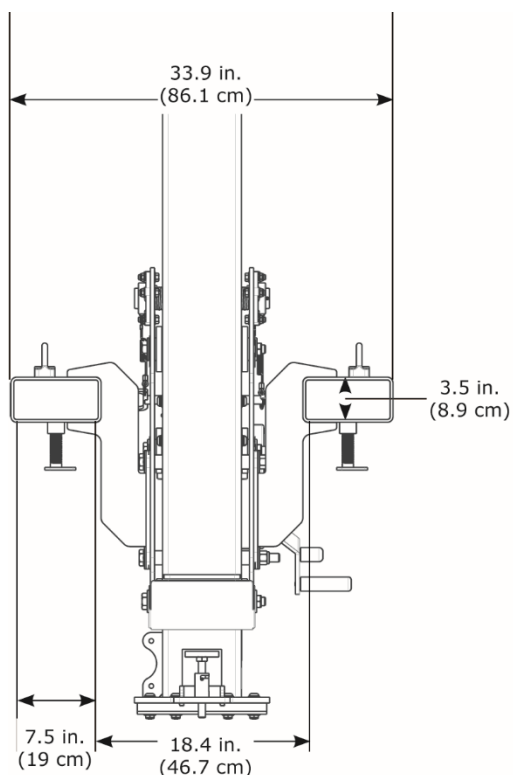
应用:

此叉车插口套件型号设计用于运输利用绞盘操作调节高度的悬臂型号**8530891-8530898**。

有关组件安装的更多信息，请参阅3M说明手册5908372。



零件编号	描述	数量
1	8550127 三角头螺钉	2
2	8549905 叉车插口焊接件	2
3	8518276 3/4" 六角螺母	2
4	9512004 3/4" x 12" 螺栓	2
5	M970033018 3/4" 垫圈	4
6	9515122 用户标签	1
	9500146 链条连接环	2
	8517096 链条	10 ft.



叉车插口套件

技术数据表: 8530925

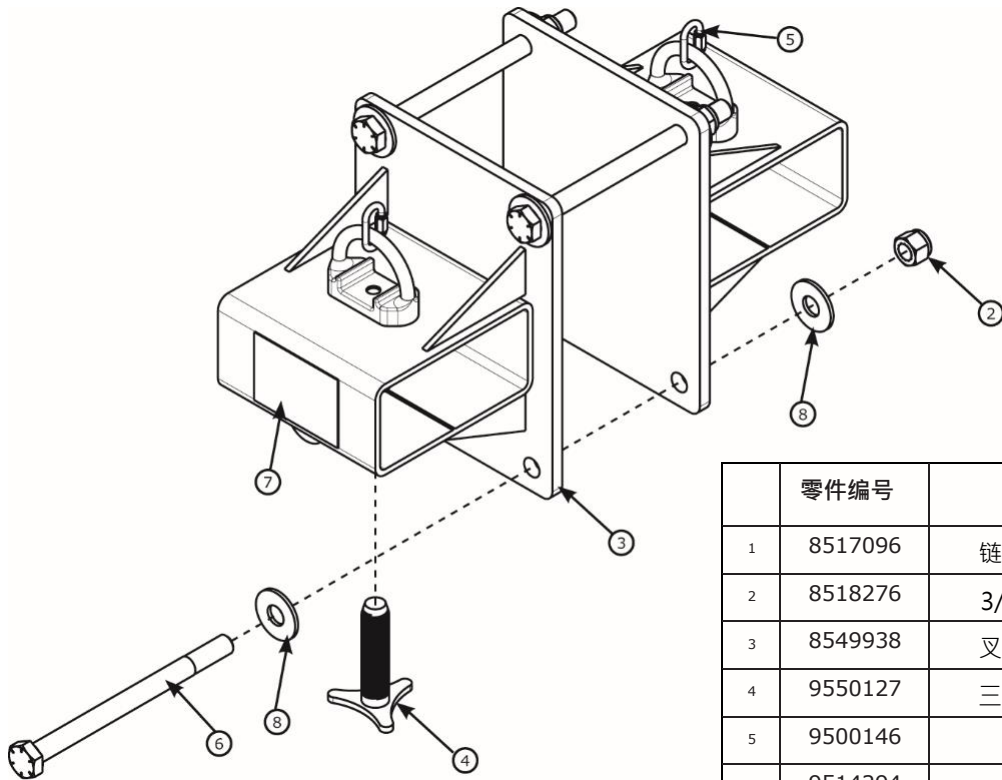


Fall Protection

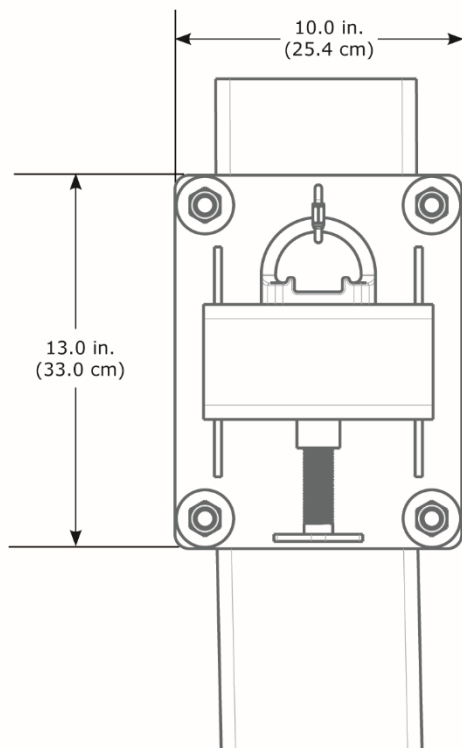
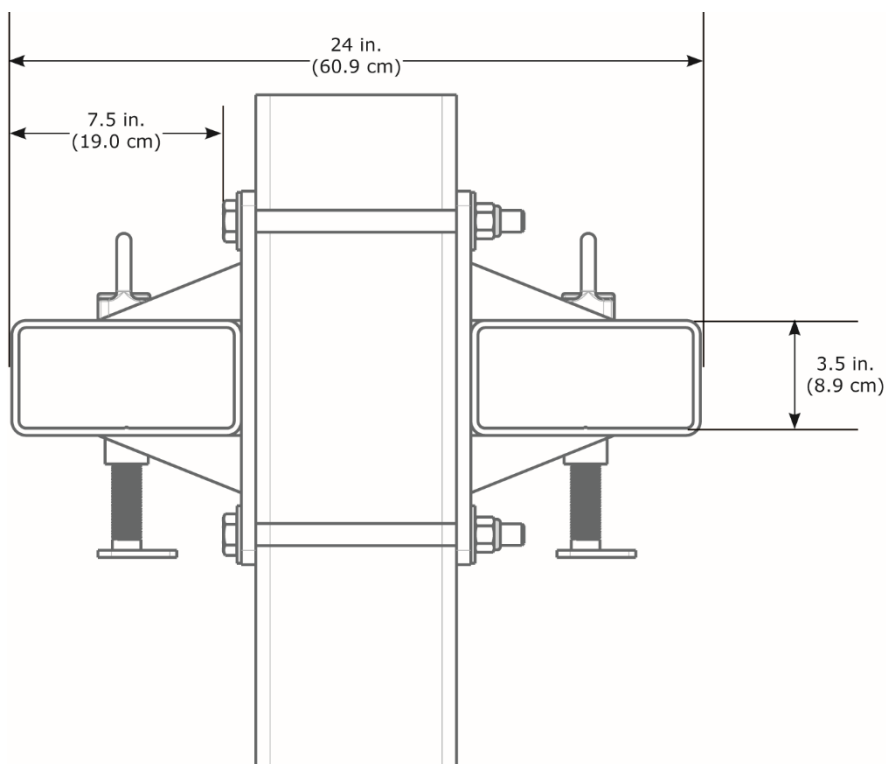
应用:

此叉车插口套件型号设计用于运输带有调节固定板的悬臂型号**8530899-8530904**。

有关组件安装的更多信息，请参阅3M说明手册5908372。



	零件编号	描述	数量
1	8517096	链条 (未显示)	10 ft.
2	8518276	3/4" 六角螺母	4
3	8549938	叉车插口焊接件	2
4	9550127	三角头螺钉焊件	2
5	9500146	快速连接件	2
6	9514294	3/4" 六角头螺栓	4
7	9515573	警告标签	1
8	M970033018	3/4" 垫圈	8



Global Product Warranty, Limited Remedy, and Limitation of Liability

Warranty: The following is made in lieu of all warranties or conditions, express or implied, including the implied warranties or conditions of merchantability or fitness for a particular purpose.

Unless otherwise provided by local laws, 3M fall protection products are warranted against factory defects in workmanship and materials for a period of one year from the date of installation or first use by the original owner.

Limited Remedy: Upon written notice to 3M, 3M will repair or replace any product determined by 3M to have a factory defect in workmanship or materials. 3M reserves the right to require product be returned to its facility for evaluation of warranty claims. This warranty does not cover product damage due to wear, abuse, misuse, damage in transit, failure to maintain the product or other damage beyond 3M's control. 3M will be the sole judge of product condition and warranty options.

This warranty applies only to the original purchaser and is the only warranty applicable to 3M's fall protection products. Please contact 3M's customer service department in your region for assistance.

Limitation of Liability: To the extent permitted by local laws, 3M is not liable for any indirect, incidental, special or consequential damages, including but not limited to loss of profits, in any way related to the products regardless of the legal theory asserted.



3M.com/FallProtection

Contact Information		
<p>USA 3833 SALA Way Red Wing, MN 55066-5005 Toll-Free: 800.328.6146 Phone: 651.388.8282 3Mfallprotection@mmm.com</p>	<p>United Kingdom 3M Centre Cain Road Bracknell, RG12 8HT Phone: 0870 60800 60 www.3M.co.uk/construction</p>	<p>Singapore Yishun Avenue 7 Singapore 768923 Phone: +65-6450 8888 TotalFallProtection@mmm.com</p>
<p>Canada 600 Edwards Blvd, Unit #2 Mississauga, ON L5T 2V7 Phone: 905.795.9333 Toll-Free: 800.387.7484 3Mfallprotection-ca@mmm.com</p>	<p>Slovakia Capital Safety Group - Banská Bystrica, s.r.o. Jegorovova 35 974 01 Banská Bystrica Slovak Republic Phone: + 421 (0)47 00 330 informationfallprotection@mmm.com</p>	<p>China Main Office: 38/F, Maxdo Center, 8 Xing Yi Rd Shanghai 200336, P R China Phone: +86 21 62753535 3MFallProtection-CN@mmm.com Manufacturing: 3M Material Technology Co., Ltd No. 9, 2nd Nan Xiang Road Science City, Guangzhou, 510663 Phone: +86 20 32113535</p>
<p>Brazil Rodovia Anhanguera, km 110 Sumaré - SP CEP: 13181-900 Brasil Phone: 0800-013-2333 falecoma3m@mmm.com</p>	<p>Australia and New Zealand Building A, 1 Rivett Road North Ryde NSW 2113 Australia Toll-Free : 1800 245 002 (AUS) Toll-Free : 0800 212 505 (NZ) 3msafetyaucs@mmm.com</p>	<p>Korea 3M Korea Ltd 18F, 82 Uisadang-daero, Yeongdeungpo-gu, Seoul Phone: +82-80-033-4114 3msupport.kr@mmm.com</p>
<p>Mexico Av. Santa Fe No. 190 Col. Santa Fe, Ciudad de Mexico CP 01219, Mexico Phone: 01 800 120 3636 3msaludocupacional@mmm.com</p>		<p>Japan 3M Japan Ltd 6-7-29, Kitashinagawa, Shinagawa- ku, Tokyo Phone: +81-570-011-321 psd.jp@mmm.com</p>



Declaration of Conformity (European Union and United Kingdom):

3M.com/FallProtection/DOC